

MODEL : DDL-900A

List No : 1668-01

# PARTS LIST

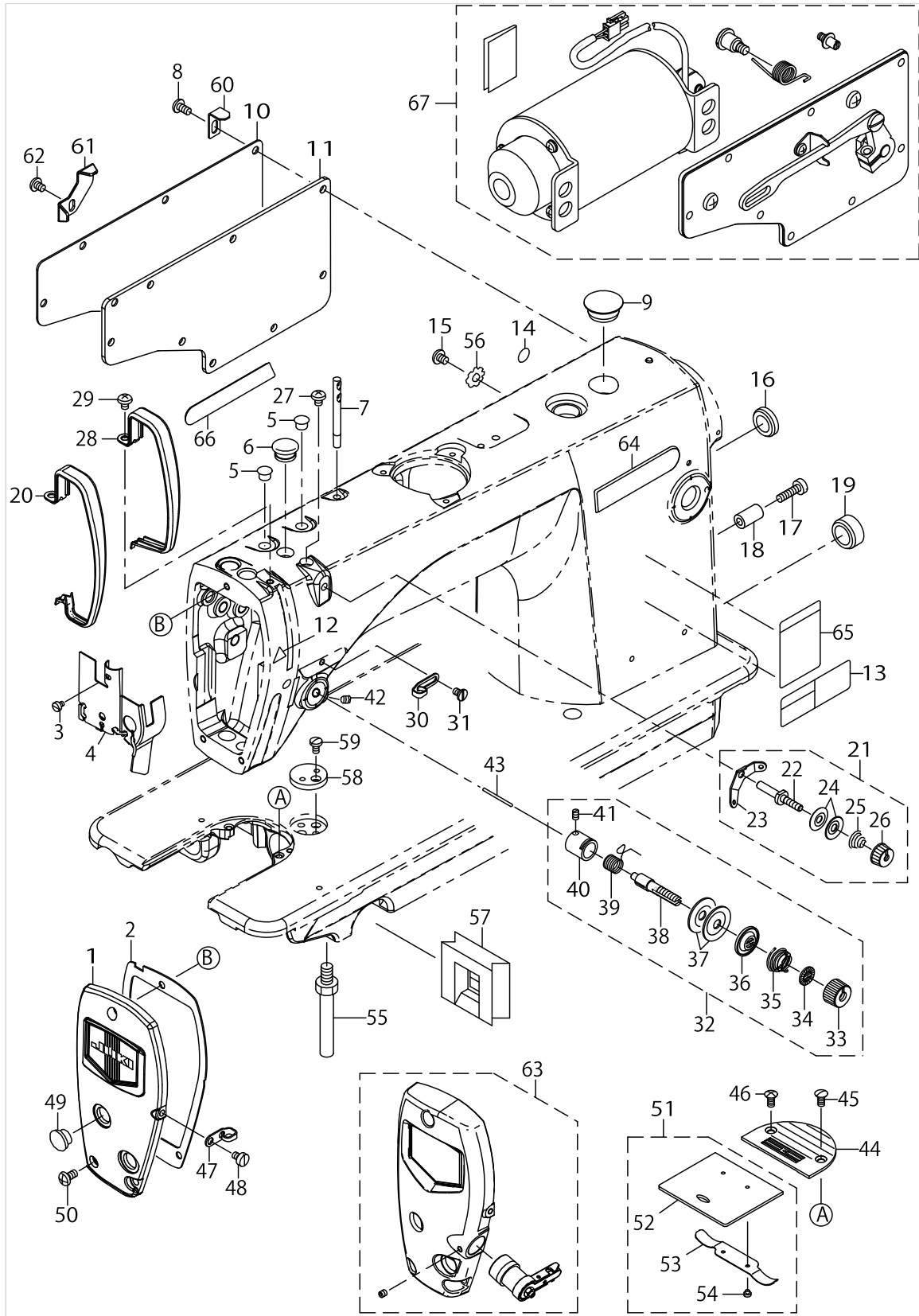
Published:05/12/2017

## CONTENTS

---

|   |    |
|---|----|
| MACHINE FRAME & MISCELLANEOUS COVER COMPONENTS .....            | 1  |
| BOBBIN WINDER COMPONENTS.....                                   | 5  |
| MAIN SHAFT & THREAD TAKE-UP LEVER COMPONENTS .....              | 7  |
| NEEDLE BAR, UPRIGHT SHAFT & HOOK DRIVING SHAFT COMPONENTS ..... | 11 |
| HAND LIFTER COMPONENTS .....                                    | 15 |
| FEED MECHANISM COMPONENTS.....                                  | 19 |
| THREAD TRIMMER COMPONENTS .....                                 | 23 |
| AUTOMATIC REVERSE FEED COMPONENTS.....                          | 27 |
| WIPER COMPONENTS.....   | 29 |
| OIL LUBRICATION COMPONENTS .....                                | 31 |
| OIL RESERVOIR COMPONENTS .....                                  | 35 |
| PSC UNIT.....   | 37 |
| THREAD STAND COMPONENTS.....                                    | 41 |
| ACCESSORIE PARTS COMPONENTS .....                               | 43 |
| LIST FOR INFORMATION OF CHANGE.....                             | 45 |

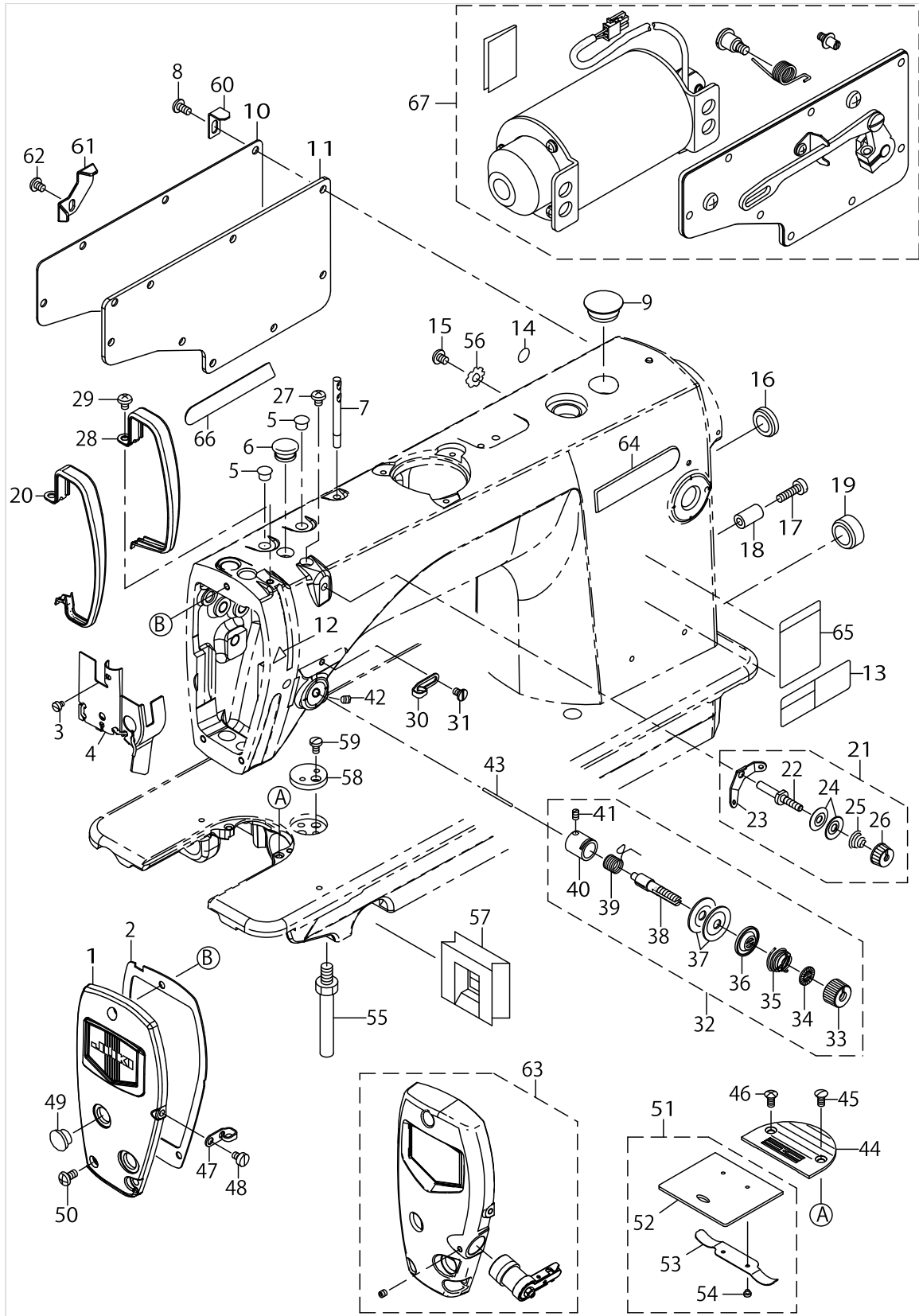
MACHINE FRAME & MISCELLANEOUS COVER COMPONENTS



MACHINE FRAME & MISCELLANEOUS COVER COMPONENTS

| No. | Supply Code | Parts No.   | Replacement | Parts name                     | Remarks                       | Choice | Step | Level                                | Cons | Qty | Rep. QTY |
|-----|-------------|-------------|-------------|--------------------------------|-------------------------------|--------|------|--------------------------------------|------|-----|----------|
| 1   |             | 40102097    |             | FACE_PLATE_ASM.                |                               |        |      |                                      |      | 1   |          |
| 2   |             | 40012126    |             | FACE PLATE PACKING             |                               |        |      |                                      |      | 1   |          |
| 3   |             | SS6080410SP |             | SCREW 1/8-44 L=4               |                               |        |      |                                      |      | 1   |          |
| 4   |             | 40156677    |             | ARMOILSHIELDASSY               |                               |        |      |                                      |      | 1   |          |
| 5   |             | TA0850604R0 |             | RUBBER PLUG                    |                               |        |      |                                      |      | 2   |          |
| 6   |             | TA1250705R0 |             | RUBBER PLUG                    |                               |        |      |                                      |      | 1   |          |
| 7   |             | 22958300    |             | NEEDLE THREAD GUIDE PIN        |                               |        |      |                                      |      | 1   |          |
| 8   |             | SS4120925SP |             | SCREW 3/16-28 L=9              |                               |        |      |                                      |      | 8   |          |
| 9   |             | TA2100904R0 |             | RUBBER PLUG                    |                               |        |      |                                      |      | 1   |          |
| 10  |             | 22900401    |             | WINDOW PLATE                   |                               |        |      |                                      |      | 1   |          |
| 11  |             | 40012129    |             | SIDE PLATE PACKING             |                               |        |      |                                      |      | 1   |          |
| 12  |             | CM300200001 |             | ATTENTION SEAL                 |                               |        |      |                                      |      | 2   |          |
| 13  |             | 40102261    |             | SAFETY_LABEL_S                 |                               |        |      |                                      |      | 1   |          |
| 14  |             | 22901805    |             | GROUND MARK                    |                               |        |      |                                      |      | 1   |          |
| 15  |             | SS4120615SP |             | SCREW 3/16-28 L=6              |                               |        |      |                                      |      | 1   |          |
| 16  |             | TA2000502R0 |             | RUBBER PLUG                    |                               |        |      |                                      |      | 1   |          |
| 17  |             | SS6121840SP |             | SCREW 3/16-28 L=18             |                               |        |      |                                      |      | 1   |          |
| 18  |             | 22952501    |             | BACK LEVER STOPPER             |                               |        |      |                                      |      | 1   |          |
| 19  |             | TA2101002R0 |             | RUBBER PLUG                    |                               |        |      |                                      |      | 1   |          |
| 20  |             | 11415205    |             | THREAD TAKE-UP LEVER COVER(JE) | VARIOUS NOS. FOR DESTINATIONS |        |      |                                      |      | 1   |          |
| 21  |             | 22945463    |             | THREAD TENSION ASM. NO.1       |                               |        |      |                                      |      | 1   |          |
| 22  |             | 22945414    |             | THREAD TENSION POST            |                               |        |      | *                                    |      | 1   |          |
| 23  | R           | 22945604    | 22963458    | THREAD TENSION GUIDE           |                               | A      |      | DDL8700H-7/8700J--7/9000B, DLN6390-7 | *    | 1   | 1.00     |
| 23  | R           | 22945604    | 22945463    | THREAD TENSION GUIDE           |                               | B      |      | DDL8700-7 and so on                  | *    | 1   | 1.00     |
| 24  |             | 22945802    |             | THREAD TENSION DISK            |                               |        |      | *                                    |      | 2   |          |
| 25  |             | 22945505    |             | THREAD TENSION SPRING          |                               |        |      | *                                    |      | 1   |          |
| 26  |             | 22945703    |             | THREAD TENSION NUT             |                               |        |      | *                                    |      | 1   |          |
| 27  |             | SS4120615SP |             | SCREW 3/16-28 L=6              |                               |        |      |                                      |      | 1   |          |
| 28  |             | 22900609    |             | THREAD TAKE-UP LEVER COVER     | VARIOUS NOS. FOR DESTINATIONS |        |      |                                      |      | 1   |          |
| 29  |             | SS4120615SP |             | SCREW 3/16-28 L=6              |                               |        |      |                                      |      | 1   |          |
| 30  |             | 22920508    |             | ARM THREAD GUIDE A             |                               |        |      |                                      |      | 1   |          |
| 31  |             | 22921001    |             | SCREW                          |                               |        |      |                                      |      | 1   |          |
| 32  |             | 22945356    |             | THREAD TENSION ASM.            |                               |        |      |                                      |      | 1   |          |
| 33  |             | 22921308    |             | THREAD TENSION NUT             |                               |        |      | *                                    |      | 1   |          |
| 34  |             | 22921407    |             | ROTATION STOPPER               |                               |        |      | *                                    |      | 1   |          |
| 35  |             | 22921704    |             | THREAD TENSION SPRING A        |                               |        |      | *                                    |      | 1   |          |
| 36  |             | 22921803    |             | DISK STOPPER                   |                               |        |      | *                                    |      | 1   |          |
| 37  |             | 22921506    |             | THREAD TENSION DISK            |                               |        |      | *                                    |      | 2   |          |
| 38  |             | 22921209    |             | THREAD TENSION POST            |                               |        |      | *                                    |      | 1   |          |
| 39  |             | 22921605    |             | THREAD TAKE-UP SPRING          |                               |        |      | *                                    | ☆    | 1   |          |
| 40  |             | 22945307    |             | THREAD TENSION POST BASE       |                               |        |      | *                                    |      | 1   |          |
| 41  |             | SS8090670SP |             | SCREW 9/64-40 L=5.5            |                               |        |      | *                                    |      | 1   |          |

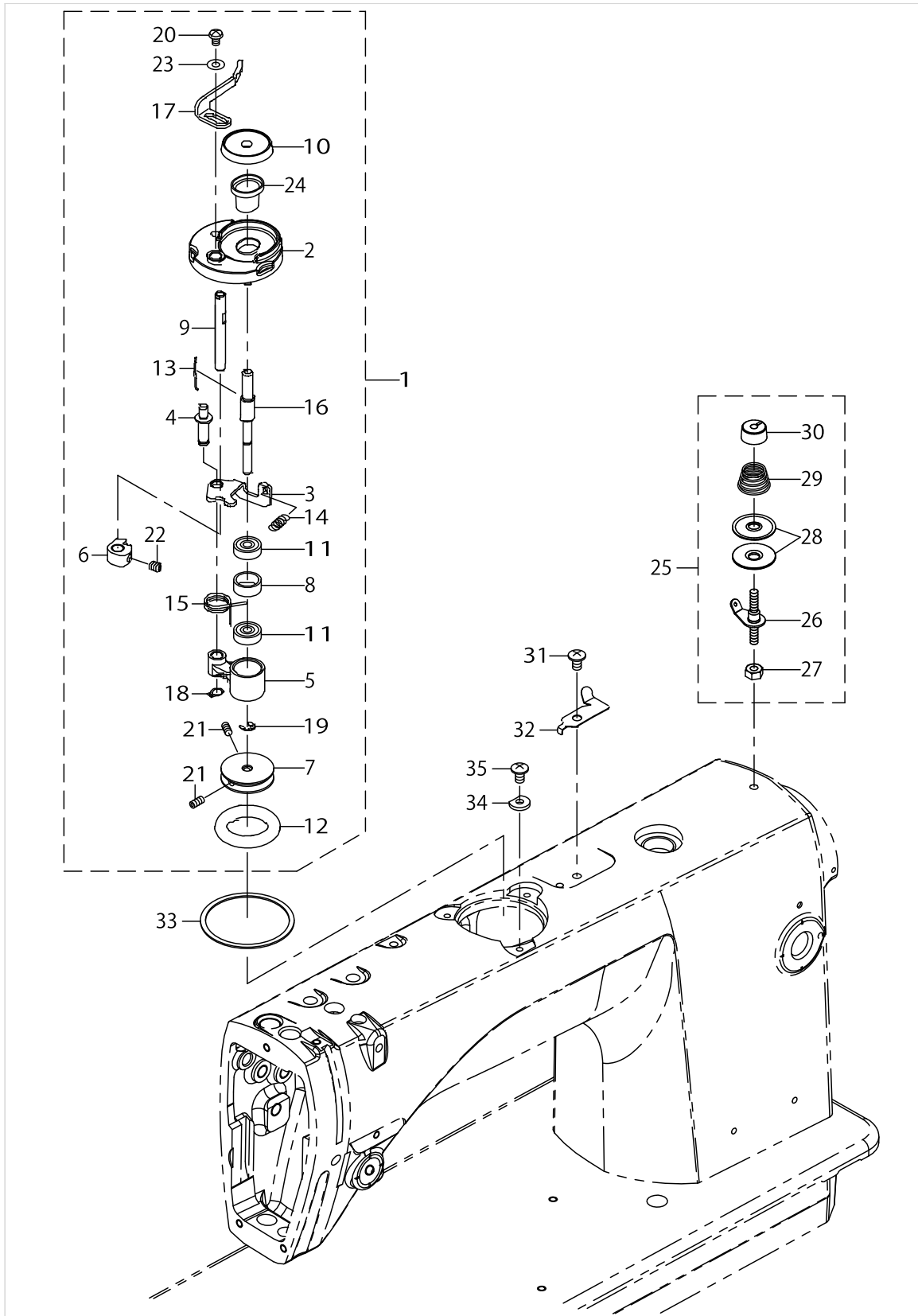
MACHINE FRAME & MISCELLANEOUS COVER COMPONENTS



MACHINE FRAME & MISCELLANEOUS COVER COMPONENTS

| No. | Supply Code | Parts No.   | Replacement | Parts name                 | Remarks        | Choice | Step | Level | Cons | Qty | Rep. QTY |
|-----|-------------|-------------|-------------|----------------------------|----------------|--------|------|-------|------|-----|----------|
| 42  |             | SS8150710TP |             | SCREW 15/64-28 L=7         |                |        |      |       |      | 1   |          |
| 43  |             | 22920904    |             | TENSION RELEASING          |                |        |      |       |      | 1   |          |
| 44  |             | B1109552000 |             | THROAT PLATE               |                |        |      |       |      | 1   |          |
| 45  |             | SS2110920TP |             | SCREW 11/64-40 L=8.5       |                |        |      |       |      | 1   |          |
| 46  |             | SS2110915SP |             | SCREW 11/64-40 L=8.5       |                |        |      |       |      | 1   |          |
| 47  |             | 22920607    |             | ARMTHREADGUIDEB            |                |        |      |       |      | 1   |          |
| 48  |             | SS6110610TP |             | SCREW 11/64-40 L=6         |                |        |      |       |      | 1   |          |
| 49  |             | TA1250406R0 |             | RUBBER PLUG D=12.5 L=4     |                |        |      |       |      | 2   |          |
| 50  |             | SS4120925SP |             | SCREW 3/16-28 L=9          |                |        |      |       |      | 3   |          |
| 51  |             | 22901250    |             | SLIDE PLATE ASM.           |                |        |      |       |      | 1   |          |
| 52  | R           | 22901201    | 22901250    | SLIDE PLATE                |                |        |      | *     |      | 1   | 1.00     |
| 53  |             | 22901300    |             | SLIDE PLATE SPRING         |                |        |      | *     |      | 1   |          |
| 54  |             | SS6060210SP |             | SCREW 3/32-56 L=1.9        |                |        |      | *     |      | 2   |          |
| 55  |             | 22901003    |             | BED SCREW STUD             |                |        |      |       |      | 4   |          |
| 56  |             | WT0530002KS |             | TOOTHED WASHER D=5.3       |                |        |      |       |      | 1   |          |
| 57  |             | 22935407    |             | BED OIL SHIELD RUBBER      |                |        |      |       |      | 1   |          |
| 58  |             | 40099083    |             | RULER STOP SEAT            |                |        |      |       |      | 1   |          |
| 59  |             | SS7110720SP |             | SCREW 11/64-40 L=7         |                |        |      |       |      | 2   |          |
| 60  |             | 40126308    |             | CORD_CLAMP                 |                |        |      |       |      | 1   |          |
| 61  |             | 40111896    |             | CORD_CLAMP                 |                |        |      |       |      | 1   |          |
| 62  |             | SS4120615SP |             | SCREW 3/16-28 L=6          |                |        |      |       |      | 1   |          |
| 63  |             | 40139555    |             | THREAD_NIPPER_COMPONENTS   | OPTIONAL PARTS |        |      |       |      | 1   |          |
| 64  |             | 40156893    |             | EMBLEM DDL900A F           |                |        |      |       |      | 1   |          |
| 65  |             | 40157335    |             | OIL INJECTION CAUTION SEAL |                |        |      |       |      | 1   |          |
| 66  |             | 40156894    |             | EMBLEM DDL900A R           |                |        |      |       |      | 1   |          |
| 67  |             | 40140416    |             | AK85B_DEVICE               | OPTIONAL PARTS |        |      |       |      | 1   |          |

BOBBIN WINDER COMPONENTS

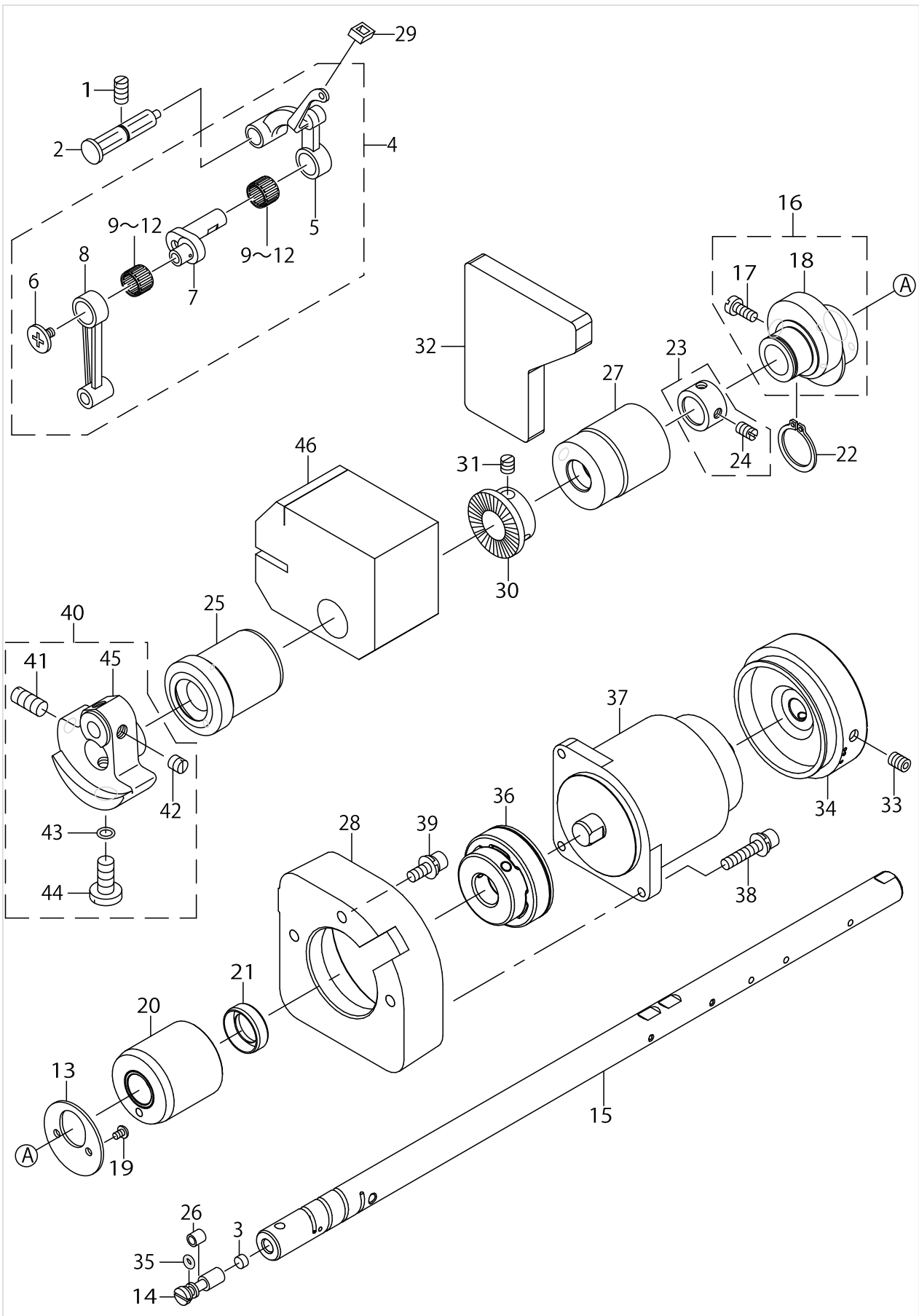


BOBBIN WINDER COMPONENTS

| No. | Supply Code | Parts No.   | Replacement | Parts name                 | Remarks | Choice | Step | Level | Cons | Qty | Rep. QTY |
|-----|-------------|-------------|-------------|----------------------------|---------|--------|------|-------|------|-----|----------|
| 1   |             | 40110976    |             | BOBBIN_WINDER_UNIT         |         |        |      |       |      | 1   |          |
| 2   | R           | 26260109    | 26260000    | BTW_BASE                   |         |        |      | *     |      | 1   | 1.00     |
| 3   |             | 26260208    |             | BTW_CAM_PLATE              |         |        |      | *     |      | 1   |          |
| 4   |             | 26260307    |             | BTW_BASE_SHAFT             |         |        |      | *     |      | 1   |          |
| 5   |             | 26260406    |             | BTW_SHAFT_BASE             |         |        |      | *     |      | 1   |          |
| 6   |             | 26260505    |             | BTW_CAM_LEVER              |         |        |      | *     |      | 1   |          |
| 7   |             | 26260604    |             | BTW_WHEEL                  |         |        |      | *     |      | 1   |          |
| 8   | R           | 26260802    | 26260000    | BTW_BEARING_SPACER         |         |        |      | *     |      | 1   | 1.00     |
| 9   |             | 26261008    |             | BTW_LEVER_SHAFT            |         |        |      | *     |      | 1   |          |
| 10  |             | 26261206    |             | BTW_SPACER                 |         |        |      | *     |      | 1   |          |
| 11  | R           | 26261305    | 26260000    | BTW_BEARING                |         |        |      | *     |      | 2   | 1.00     |
| 12  |             | 26261503    |             | BTW_WHEEL_RUBBER           |         |        |      | *     | ☆    | 1   |          |
| 13  |             | 26261602    |             | BOBBIN_SPRING              |         |        |      | *     | ☆    | 1   |          |
| 14  |             | 26261701    |             | BTW_SPRING                 |         |        |      | *     |      | 1   |          |
| 15  |             | 40011144    |             | BTW_TORSION_SPRING         |         |        |      | *     |      | 1   |          |
| 16  |             | 40110975    |             | BTW_SHAFT                  |         |        |      | *     |      | 1   |          |
| 17  |             | 40021933    |             | BTW_LEVER                  |         |        |      | *     |      | 1   |          |
| 18  |             | RC0560711KP |             | RETAINING RING             |         |        |      | *     |      | 1   |          |
| 19  |             | RE0400000K0 |             | E-RING 4                   |         |        |      | *     |      | 1   |          |
| 20  |             | SM5040655SN |             | SCREW                      |         |        |      | *     |      | 1   |          |
| 21  |             | SM8040802TP |             | SCREW M4X8                 |         |        |      | *     |      | 2   |          |
| 22  |             | SM8050502TP |             | SCREW M5 L=5               |         |        |      | *     |      | 1   |          |
| 23  |             | WP0450826SC |             | WASHER 4.5X10X0.8          |         |        |      | *     |      | 1   |          |
| 24  |             | 40119475    |             | OIL_GUARD                  |         |        |      | *     |      | 1   |          |
| 25  |             | 40110731    |             | BOBBIN_THREAD_TENSION_ASSY |         |        |      |       |      | 1   |          |
| 26  |             | 40110734    |             | BOBBIN_THREAD_ROD_ASSY     |         |        |      | *     |      | 1   |          |
| 27  |             | NS6120630SP |             | NUT 3/16-28                |         |        |      | *     |      | 1   |          |
| 28  |             | 22921506    |             | THREAD TENSION DISK        |         |        |      | *     |      | 2   |          |
| 29  |             | D7133555B00 |             | CONNECTING ROD SPRING      |         |        |      | *     |      | 1   |          |
| 30  |             | 22945703    |             | THREAD TENSION NUT         |         |        |      | *     |      | 1   |          |
| 31  |             | SM0050801SC |             | SCREW                      |         |        |      |       |      | 1   |          |
| 32  |             | 40037008    |             | THREAD_CUTTER              |         |        |      |       |      | 1   |          |
| 33  |             | 22538706    |             | PACKING                    |         |        |      |       |      | 1   |          |
| 34  |             | 40113241    |             | BTW_SPACER                 |         |        |      |       |      | 1   |          |
| 35  |             | SM0050801SC |             | SCREW                      |         |        |      |       |      | 3   |          |



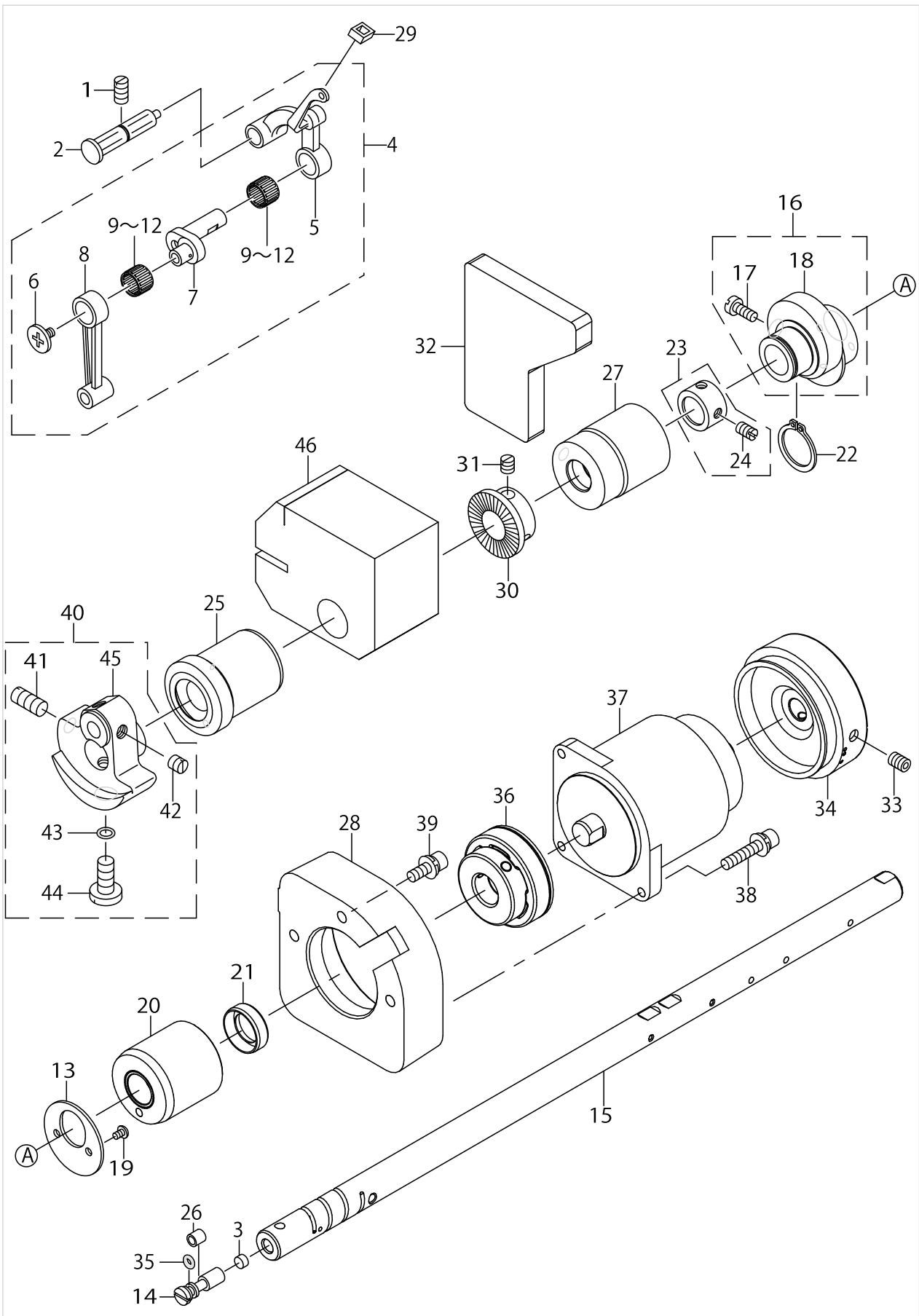
MAIN SHAFT & THREAD TAKE-UP LEVER COMPONENTS



MAIN SHAFT & THREAD TAKE-UP LEVER COMPONENTS

| No. | Supply Code | Parts No.   | Replacement | Parts name                      | Remarks         | Choice | Step | Level | Cons | Qty | Rep. QTY |
|-----|-------------|-------------|-------------|---------------------------------|-----------------|--------|------|-------|------|-----|----------|
| 1   |             | SS8151150TP |             | SCREW 15/64-28 L=10.5           |                 |        |      |       |      | 1   |          |
| 2   |             | 22919559    |             | THREAD TAKE-UP CRANK SHAFT ASM. |                 |        |      |       |      | 1   |          |
| 3   |             | 11002904    |             | ROLLER FELT                     |                 |        |      |       |      | 1   |          |
| 4   |             | 22918072    |             | THREAD TAKE-UP LEVER COMPL.     |                 |        |      |       |      | 1   |          |
| 5   | R           | 22918064    | 22918072    | THREAD TAKE-UP LEVER ASM.       |                 |        |      | *     |      | 1   | 1.00     |
| 6   | R           | 22918304    | B1903552000 | LEFT SCREW                      |                 |        |      | *     |      | 1   | 1.00     |
| 7   |             | 22918106    |             | NEEDLE BAR CRANK                |                 |        |      | *     |      | 1   |          |
| 8   |             | 22906606    |             | NEEDLE BAR CRANK ROD            |                 |        |      | *     |      | 1   |          |
| 9   |             | 22918403    |             | NEEDLE BEARING A                | SELECTIVE PARTS |        |      | *     |      | 2   |          |
| 10  |             | 22918502    |             | NEEDLE BEARING B                | SELECTIVE PARTS |        |      | *     |      | 2   |          |
| 11  |             | 22918601    |             | NEEDLE BEARING C                | SELECTIVE PARTS |        |      | *     |      | 2   |          |
| 12  |             | 22918700    |             | NEEDLE BEARING D                | SELECTIVE PARTS |        |      | *     |      | 2   |          |
| 13  |             | 22910103    |             | THRUST COLLAR                   |                 |        |      |       |      | 1   |          |
| 14  |             | 22903900    |             | ADJUSTING PIN                   |                 |        |      |       |      | 1   |          |
| 15  |             | 40110977    |             | MAIN_SHAFT                      |                 |        |      |       |      | 1   |          |
| 16  |             | 22910053    |             | FEED DRIVE ECCEN-TRIC CAM ASM.  |                 |        |      |       |      | 1   |          |
| 17  |             | SS6661110SP |             | SCREW 1/4-40 L=11               |                 |        |      | *     |      | 2   |          |
| 18  | R           | 22910004    | 22910053    | FEED DRIVE ECCENTRIC CAM        |                 |        |      | *     |      | 1   | 1.00     |
| 19  |             | SS4090615SP |             | SCREW 9/64-40 L=6               |                 |        |      |       |      | 2   |          |
| 20  |             | 40110978    |             | MAIN_SHAFT_BUSHING              |                 |        |      |       |      | 1   |          |
| 21  |             | 40139216    |             | OIL SEAL                        |                 |        |      |       |      | 1   |          |
| 22  |             | RC1850001KP |             | SNAP RING 18.5                  |                 |        |      |       |      | 1   |          |
| 23  |             | 22904155    |             | MAIN SHAFT THRU-ST COLLAR ASM.  |                 |        |      |       |      | 1   |          |
| 24  |             | SS8660610TP |             | SCREW 1/4-40 L=6                |                 |        |      | *     |      | 2   |          |
| 25  |             | 22903207    |             | MAIN SHAFT BUSHING FRONT        |                 |        |      |       |      | 1   |          |
| 26  |             | B1215552000 |             | OIL ADJUSTING COLLAR            |                 |        |      |       |      | 1   |          |
| 27  |             | 22903306    |             | BUSHING INTERMEDIATE            |                 |        |      |       |      | 1   |          |
| 28  |             | 40110979    |             | MAIN_MOTOR_BASE_76              |                 |        |      |       |      | 1   |          |
| 29  |             | 22919203    |             | OIL PROTECTING RUBBER           |                 |        |      |       |      | 1   |          |
| 30  | R           | 22538805    | 22538854    | DRIVING WHEEL                   |                 |        |      |       |      | 1   | 1.00     |
| 31  |             | SS8660610TP |             | SCREW 1/4-40 L=6                |                 |        |      |       |      | 2   |          |
| 32  |             | 40111424    |             | FILTER                          |                 |        |      |       |      | 1   |          |
| 33  |             | SM80608A2TP |             | SCREW M6 L=8                    |                 |        |      |       |      | 2   |          |
| 34  |             | 40111872    |             | HAND_PULLEY                     |                 |        |      |       |      | 1   |          |
| 35  |             | RO029180100 |             | RUBBER RING                     |                 |        |      |       |      | 1   |          |
| 36  |             | 40111025    |             | COUPLING_ASM.                   |                 |        |      |       |      | 1   |          |
| 37  |             | 40140419    |             | SERVO MOTOR                     |                 |        |      |       |      | 1   |          |
| 38  |             | SL6052592TN |             | BOLT                            |                 |        |      |       |      | 3   |          |
| 39  |             | SL6051492TN |             | BOLT                            |                 |        |      |       |      | 3   |          |
| 40  |             | 40110390    |             | COUNTER_WEIGHT_ASM.             |                 |        |      |       |      | 1   |          |
| 41  |             | SS8681650TP |             | SCREW 9/32-28 L=16              |                 |        |      | *     |      | 1   |          |
| 42  |             | SS8660610TP |             | SCREW 1/4-40 L=6                |                 |        |      | *     |      | 2   |          |
| 43  |             | RO044240100 |             | RUBBER RING                     |                 |        |      | *     |      | 1   |          |
| 44  |             | SS7681650TP |             | SCREW 9/32-28 L=16              |                 |        |      | *     |      | 1   |          |
| 45  |             | 40110376    |             | COUNTER_WEIGHT                  |                 |        |      | *     |      | 1   |          |

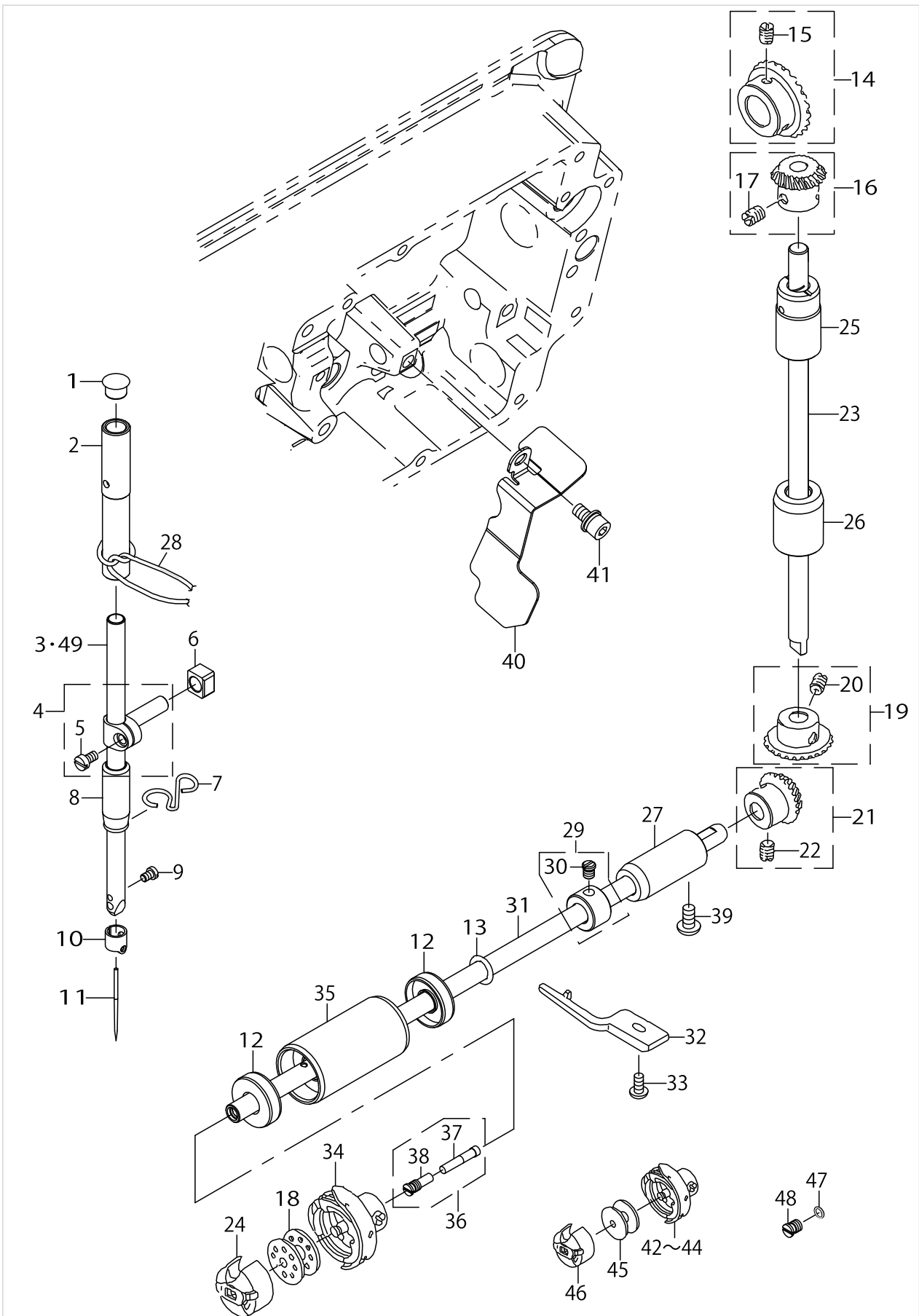
MAIN SHAFT & THREAD TAKE-UP LEVER COMPONENTS



MAIN SHAFT & THREAD TAKE-UP LEVER COMPONENTS

| No. | Supply Code | Parts No. | Replacement | Parts name | Remarks | Choice | Step | Level | Cons | Qty | Rep. QTY |
|-----|-------------|-----------|-------------|------------|---------|--------|------|-------|------|-----|----------|
| 46  |             | 40156681  |             | FILTER     |         |        |      |       |      | 1   |          |

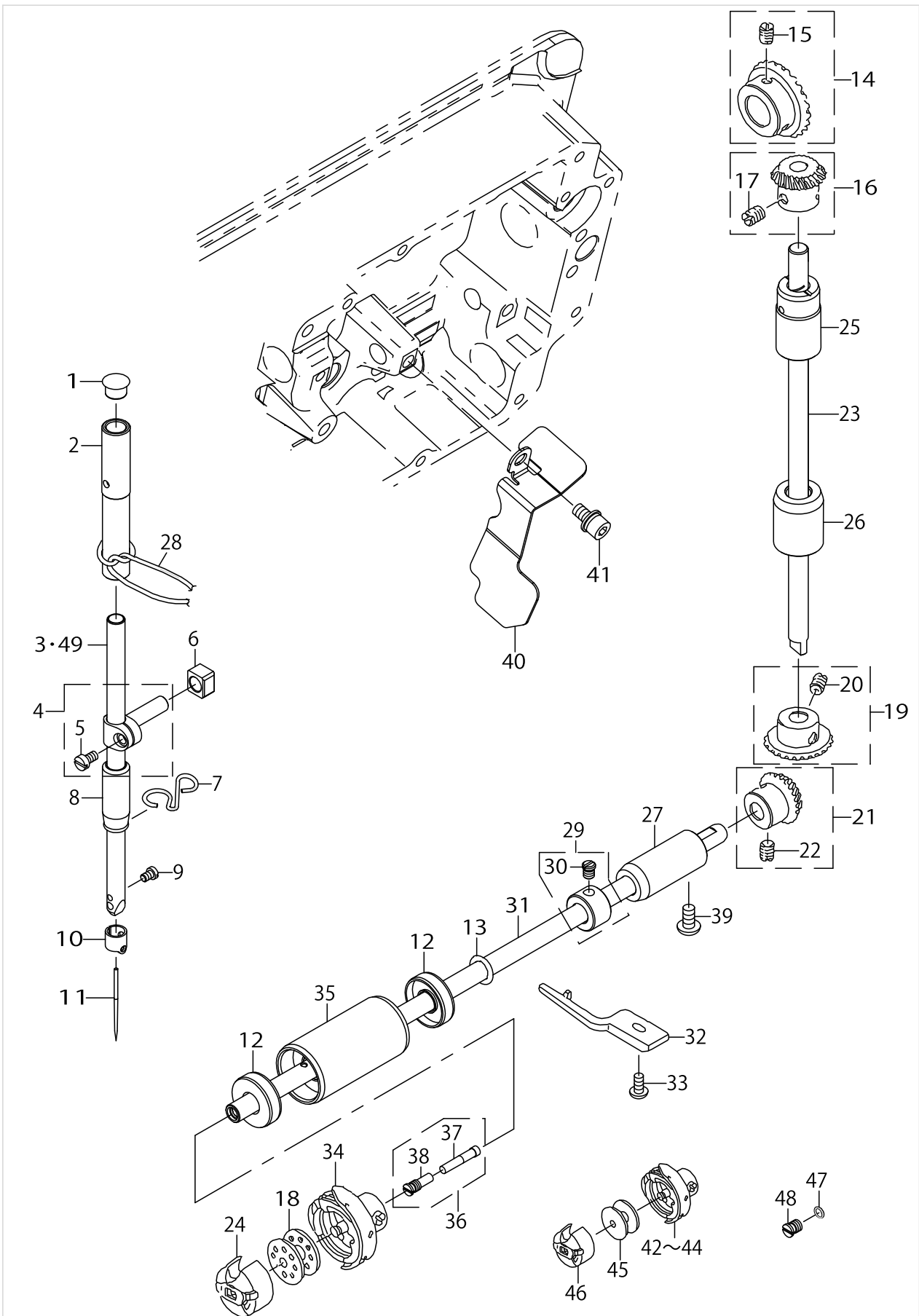
NEEDLE BAR, UPRIGHT SHAFT & HOOK DRIVING SHAFT COMPONENTS



NEEDLE BAR, UPRIGHT SHAFT & HOOK DRIVING SHAFT COMPONENTS

| No. | Supply Code | Parts No.   | Replacement | Parts name                        | Remarks        | Choice | Step | Level | Cons | Qty | Rep. QTY |
|-----|-------------|-------------|-------------|-----------------------------------|----------------|--------|------|-------|------|-----|----------|
| 1   |             | TA0850604R0 |             | RUBBER PLUG                       |                |        |      |       |      | 1   |          |
| 2   |             | 22906101    |             | NEEDLE BAR BUSHING UPPER          |                |        |      |       |      | 1   |          |
| 3   |             | 22939508    |             | NEEDLE BAR                        |                |        |      |       |      | 1   |          |
| 4   |             | 22906457    |             | NEEDLE BAR HOLDER ASM.            |                |        |      |       |      | 1   |          |
| 5   |             | SS6090670TP |             | SCREW 9/64-40 L=6                 |                |        |      | *     |      | 1   |          |
| 6   |             | 40090058    |             | SLIDE BLOCK                       |                |        |      |       |      | 1   |          |
| 7   |             | 40141523    |             | NEEDLE BAR THREAD GUIDE P         |                |        |      |       |      | 1   |          |
| 8   |             | 22906200    |             | NEEDLE BAR BUSHING LOWER          |                |        |      |       |      | 1   |          |
| 9   |             | SS7080510TP |             | SCREW 1/8-44 L=4.5                |                |        |      |       | ☆    | 1   |          |
| 10  |             | 22906309    |             | NEEDLE BAR THREAD GUIDE           |                |        |      |       |      | 1   |          |
| 11  |             | MDB100B1400 |             | NEEDLE DBX1 #14                   |                |        |      |       | ☆    | 1   |          |
| 12  |             | 40145927    |             | OIL SEAL                          |                |        |      |       |      | 2   |          |
| 13  |             | RO069180100 |             | RUBBER RING                       |                |        |      |       |      | 1   |          |
| 14  |             | 40090002    |             | UPPER LARGE BEVEL GEAR ASM.       |                |        |      |       |      | 1   |          |
| 15  |             | SS8660810TP |             | SCREW 1/4-40 L=8                  |                |        |      | *     |      | 2   |          |
| 16  |             | 40090003    |             | UPPER SMALL BEVEL GEAR ASM.       |                |        |      |       |      | 1   |          |
| 17  |             | SS8660810TP |             | SCREW 1/4-40 L=8                  |                |        |      | *     |      | 2   |          |
| 18  |             | 22932909    |             | BOBBIN                            |                |        |      |       | ☆    | 1   |          |
| 19  |             | 40090004    |             | LOWER LARGE BEVEL GEAR ASM.       |                |        |      |       |      | 1   |          |
| 20  |             | SS8660810TP |             | SCREW 1/4-40 L=8                  |                |        |      | *     |      | 2   |          |
| 21  |             | 40090005    |             | LOWER SMALL BEVEL GEAR ASM.       |                |        |      |       |      | 1   |          |
| 22  |             | SS8660810TP |             | SCREW 1/4-40 L=8                  |                |        |      | *     |      | 2   |          |
| 23  |             | 22905004    |             | UPRIGHT SHAFT                     |                |        |      |       |      | 1   |          |
| 24  |             | 11038759    |             | BOBBIN CASE ASM.                  |                |        |      |       | ☆    | 1   |          |
| 25  |             | 22905103    |             | UPRIGHT SHAFT BUSHING UPPER       |                |        |      |       |      | 1   |          |
| 26  |             | 22905202    |             | UPRIGHT SHAFT BUSHING LOWER       |                |        |      |       |      | 1   |          |
| 27  |             | 22916308    |             | HOOK DRIVING SH-<br>AFT BUSH REAR |                |        |      |       |      | 1   |          |
| 28  |             | CQ220000000 |             | OUL WICK                          |                |        |      |       |      | .3  |          |
| 29  |             | 22917157    |             | THRUST COLLAR ASM. REAR           |                |        |      |       |      | 1   |          |
| 30  |             | SS6110420TP |             | SCREW 11/64-40 L=4.8              |                |        |      | *     |      | 2   |          |
| 31  |             | 40156687    |             | HOOKDRIVING SHAFT                 |                |        |      |       |      | 1   |          |
| 32  |             | 22942502    |             | INNER HOOK PRESSER                |                |        |      |       |      | 1   |          |
| 33  |             | SS4110915TP |             | SCREW 11/64-40 L=9                |                |        |      |       |      | 1   |          |
| 34  |             | 11038650    |             | HOOK ASM.                         |                |        |      |       | ☆    | 1   |          |
| 35  |             | 40156815    |             | HOOK SHAFT METAL ASSY             |                |        |      |       |      | 1   |          |
| 36  |             | 22916555    |             | OILSEALSCREWASM.                  |                |        |      |       | ☆    | 1   |          |
| 37  |             | 11015906    |             | OIL WICK                          |                |        |      | *     |      | 1   |          |
| 38  |             | 22916506    |             | SET SCREW                         |                |        |      | *     |      | 1   |          |
| 39  |             | SS4120925SP |             | SCREW 3/16-28 L=9                 |                |        |      |       |      | 1   |          |
| 40  |             | 40156698    |             | GEAR OIL GUARD PLATE              |                |        |      |       |      | 1   |          |
| 41  |             | SL6051092TN |             | BOLT                              |                |        |      |       |      | 1   |          |
| 42  |             | 22890404    |             | RP HOOK C                         | OPTIONAL PARTS |        |      |       | ☆    | 1   |          |
| 43  |             | 22890206    |             | RP HOOK                           | OPTIONAL PARTS |        |      |       | ☆    | 1   |          |
| 44  |             | 22890305    |             | RP HOOK S                         | OPTIONAL PARTS |        |      |       | ☆    | 1   |          |
| 45  | R           | B9117552A00 | 22964001    | BOBBIN                            | OPTIONAL PARTS |        |      |       | ☆    | 1   | 1.00     |
| 46  |             | 22896252    |             | BOBBIN CASE ASM.                  | OPTIONAL PARTS |        |      |       | ☆    | 1   |          |

NEEDLE BAR, UPRIGHT SHAFT & HOOK DRIVING SHAFT COMPONENTS

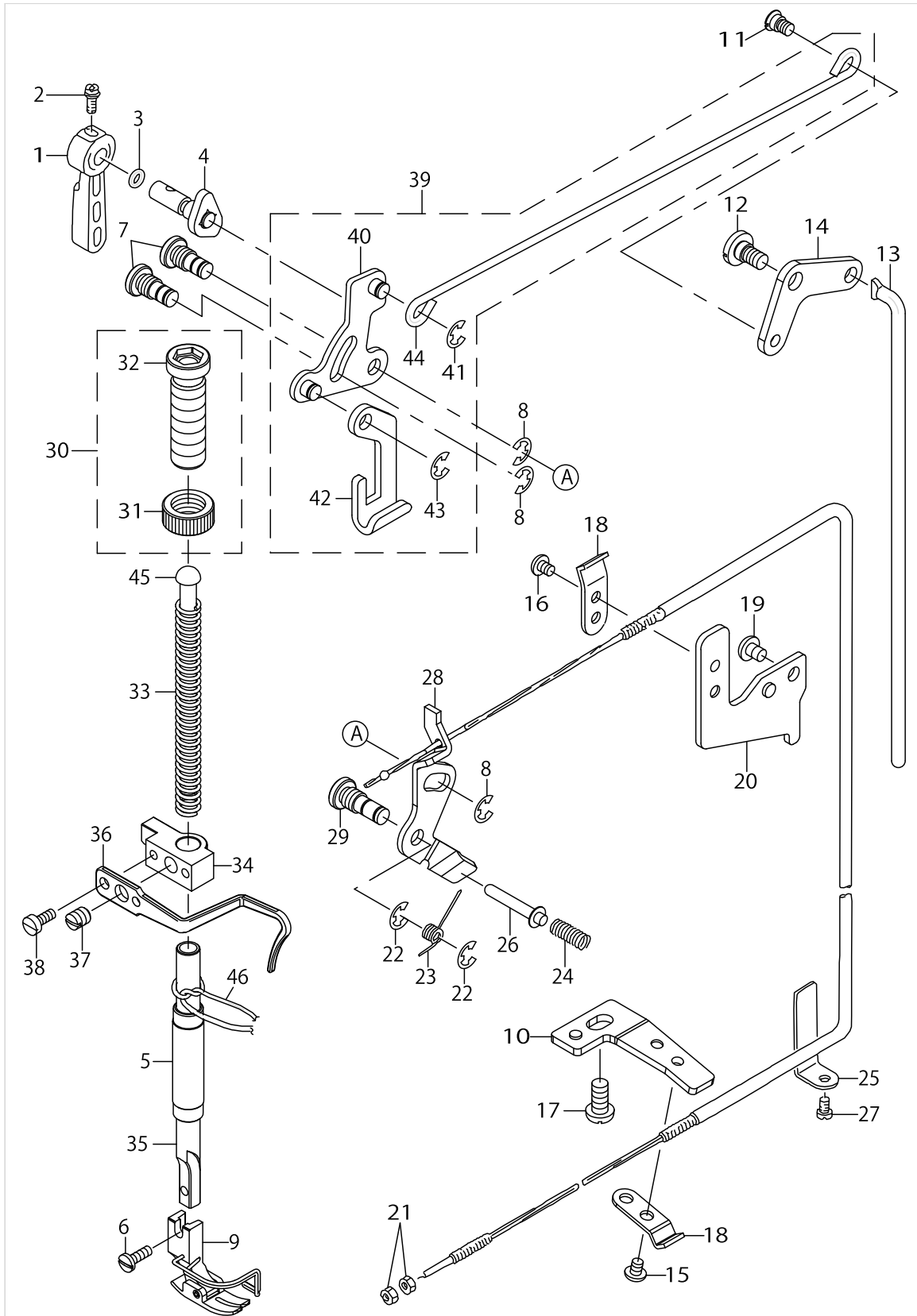


NEEDLE BAR, UPRIGHT SHAFT & HOOK DRIVING SHAFT COMPONENTS

| No. | Supply Code | Parts No.   | Replacement | Parts name   | Remarks                             | Choice | Step | Level | Cons | Qty | Rep. QTY |
|-----|-------------|-------------|-------------|--------------|-------------------------------------|--------|------|-------|------|-----|----------|
| 47  |             | RO036080200 |             | RUBBER RING  | OPTIONAL PARTS                      |        |      |       |      | 1   |          |
| 48  |             | 11079506    |             | FRONT SCREW  | OPTIONAL PARTS                      |        |      |       |      | 1   |          |
| 49  |             | 22939607    |             | NEEDLE BAR B | ACCORDIN-<br>G TO DES-<br>TINATIONS |        |      |       |      | 1   |          |



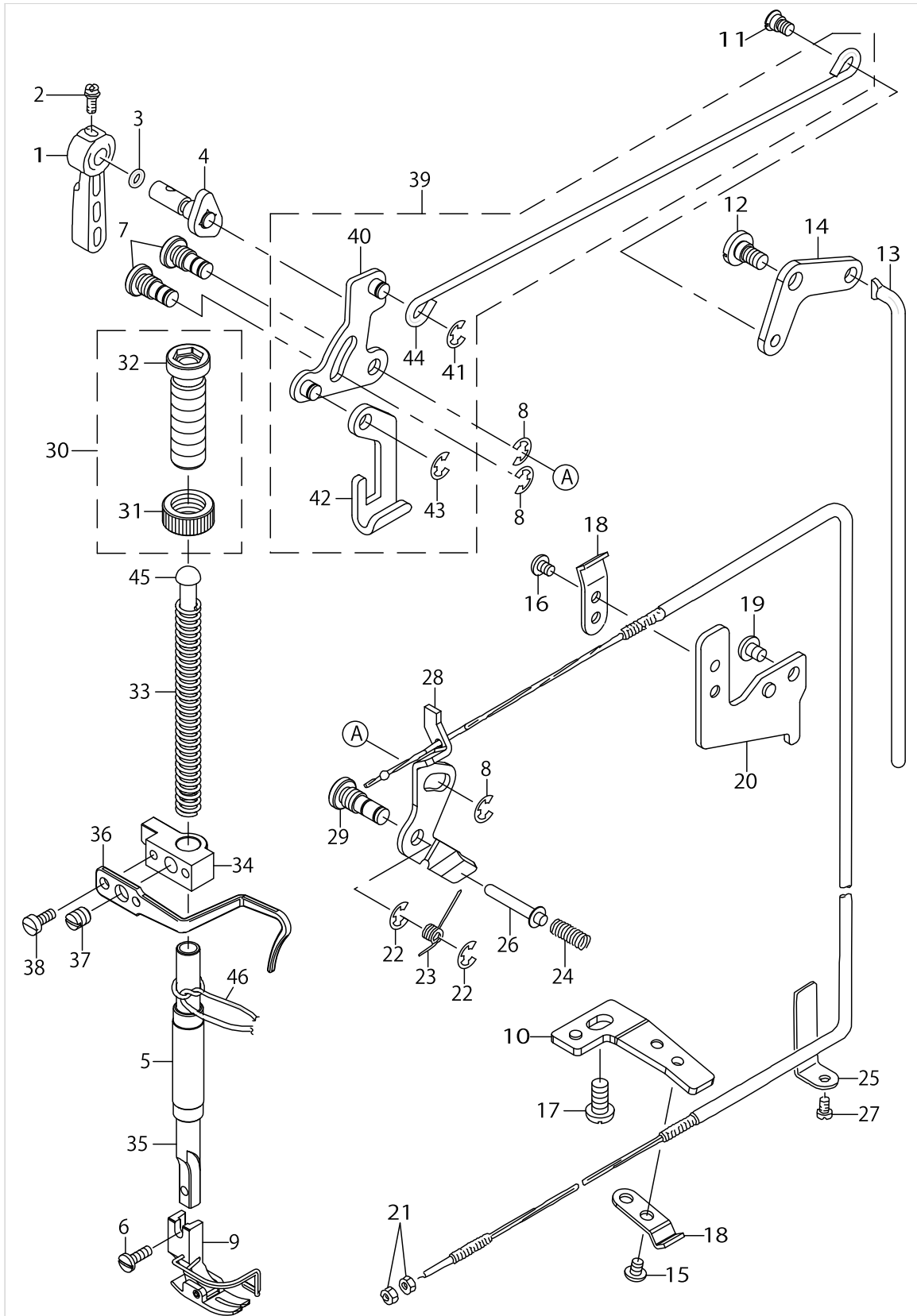
# HAND LIFTER COMPONENTS



HAND LIFTER COMPONENTS

| No. | Supply Code | Parts No.   | Replacement | Parts name                      | Remarks | Choice | Step   | Level | Cons | Qty | Rep. QTY |
|-----|-------------|-------------|-------------|---------------------------------|---------|--------|--|-------|------|-----|----------|
| 1   |             | 22907802    |             | HAND LIFTER                     |         |        |  |       |      | 1   |          |
| 2   |             | B1521555000 |             | SCREW                           |         |        |  |       |      | 1   |          |
| 3   |             | RO037180100 |             | RUBBER RING                     |         |        |  |       |      | 1   |          |
| 4   |             | 22908552    |             | HAND LIFTER CAM ASM.            |         |        |  |       |      | 1   |          |
| 5   |             | 40060989    |             | PRESSER BAR BUSHING LOWER       |         |        |  |       |      | 1   |          |
| 6   |             | SS7091110TP |             | SCREW 9/64-40 L=10.5            |         |        |  |       | ☆    | 1   |          |
| 7   |             | 22908701    |             | LINK SHAFT                      |         |        |  |       |      | 2   |          |
| 8   |             | RE0500000K0 |             | E-RING                          |         |        |  |       |      | 3   |          |
| 9   |             | B15240120BA |             | PRESSER FOOT ASM.               |         |        |  |       |      | 1   |          |
| 10  |             | 22944706    |             | WIRE PRESSER BASE LOWER         |         |        |  |       |      | 1   |          |
| 11  |             | 22908909    |             | HINGE SCREW                     |         |        |  |       |      | 1   |          |
| 12  |             | SD0720331SP |             | HINGE SCREW D=7.24 H=3.3        |         |        |  |       |      | 1   |          |
| 13  |             | 22909006    |             | KNEE LIFTER CONNECTING ROD      |         |        |  |       |      | 1   |          |
| 14  |             | 22908800    |             | KNEE LIFTER LINK                |         |        |  |       |      | 1   |          |
| 15  |             | SS4110515SP |             | SCREW 11/64-40 L=5              |         |        |  |       |      | 1   |          |
| 16  |             | SS4110515SP |             | SCREW 11/64-40 L=5              |         |        |  |       |      | 1   |          |
| 17  |             | SS4150915SP |             | SCREW 15/64-28 L=9              |         |        |  |       |      | 1   |          |
| 18  |             | 22944508    |             | WIRE PRESSER A                  |         |        |  |       |      | 2   |          |
| 19  |             | SS4120615SP |             | SCREW 3/16-28 L=6               |         |        |  |       |      | 1   |          |
| 20  |             | 22944607    |             | WIRE PRESSER BASE UPPER         |         |        |  |       |      | 1   |          |
| 21  |             | NS6620310SP |             | NUT 3/16-32                     |         |        |  |       |      | 2   |          |
| 22  |             | RE0500000K0 |             | E-RING                          |         |        |  |       |      | 2   |          |
| 23  |             | 22920201    |             | RETURN SPRING                   |         |        |  |       |      | 1   |          |
| 24  |             | 22920409    |             | THREAD RELEASE PIN SPRING       |         |        |  |       |      | 1   |          |
| 25  |             | 22945109    |             | WIRE CABLE SUPPORT              |         |        |  |       |      | 1   |          |
| 26  |             | 22920300    |             | THREAD RELEASE SUPPORTING PIN   |         |        |  |       |      | 1   |          |
| 27  |             | SS4120615SP |             | SCREW 3/16-28 L=6               |         |        |  |       |      | 1   |          |
| 28  |             | 22944854    |             | THREAD RELEASE WIRE ASM.        |         |        |  |       |      | 1   |          |
| 29  |             | 22920102    |             | TENSION RELEASE SHAFT           |         |        |  |       |      | 1   |          |
| 30  |             | 22907554    |             | PRESSER SPRING REGULATOR ASM.¥n |         |        |  |       |      | 1   |          |
| 31  | R           | 22907604    | 22907554    | PRESSER SPRING REGULATOR NUT    |         |        |  |       | *    | 1   | 1.00     |
| 32  | R           | 22907505    | 22907554    | PRESSER SPRING REGULATOR        |         |        |  |       | *    | 1   | 1.00     |
| 33  |             | 22907406    |             | PRESSER SPRING                  |         |        |  |       |      | 1   |          |
| 34  |             | 22907208    |             | PRESSER BAR GUIDE BRACKET       |         |        |  |       |      | 1   |          |
| 35  |             | 40017805    |             | PRESSER BAR                     |         |        |  |       |      | 1   |          |
| 36  |             | 22907307    |             | THREAD GUIDE                    |         |        |  |       |      | 1   |          |
| 37  |             | SS8660810TP |             | SCREW 1/4-40 L=8                |         |        |  |       |      | 1   |          |
| 38  |             | SS6090910SP |             | SCREW 9/64-40 L=9               |         |        |  |       |      | 2   |          |
| 39  |             | 22908354    |             | KNEE LIFTING CROSS ROD ASM.     |         |        |  |       |      | 1   |          |
| 40  | R           | 22908156    | 22908354    | LIFTING LINK ASM.               |         |        |  |       | *    | 1   | 1.00     |
| 41  |             | RE0500000K0 |             | E-RING                          |         |        |  |       | *    | 1   |          |
| 42  | R           | 22908008    | 22908354    | LIFTING PLATE                   |         | A      | DDL-5550<br>5550N 555-<br>0N-7 5556-<br>N-7 5600NL-7 |       | *    | 1   | 1.00     |
| 42  | R           | 22908008    | 23609357    | LIFTING PLATE                   |         | B      | DDL-9000A 9000B                                      |       | *    | 1   | 1.00     |
| 42  | R           | 22908008    | 40057398    | LIFTING PLATE                   |         | C      | LH-3500  |       | *    | 1   | 1.00     |

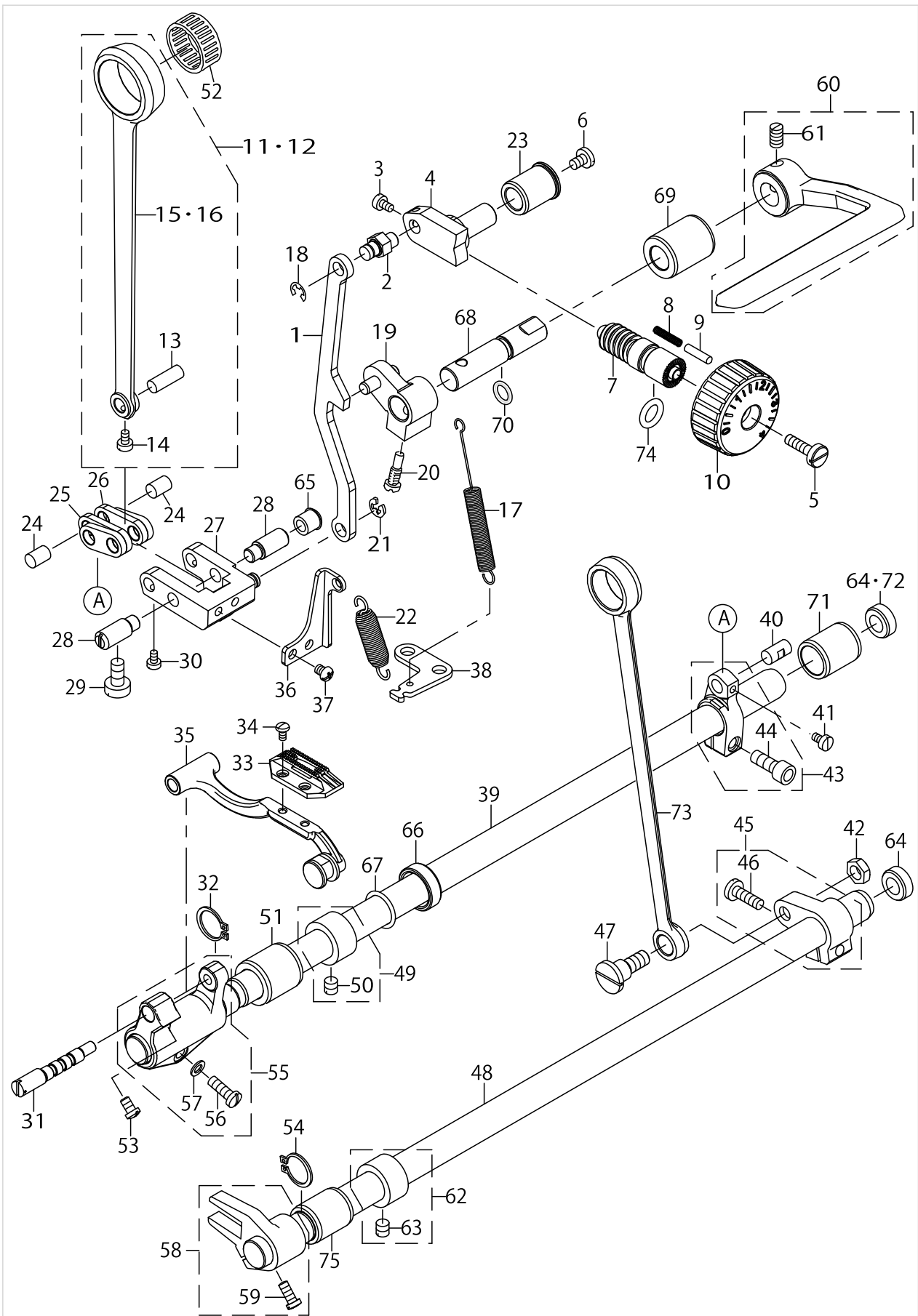
# HAND LIFTER COMPONENTS



HAND LIFTER COMPONENTS

| No. | Supply Code | Parts No.   | Replacement | Parts name           | Remarks | Choice | Step      | Level | Cons | Qty | Rep. QTY |
|-----|-------------|-------------|-------------|----------------------|---------|--------|-----------|-------|------|-----|----------|
| 42  | R           | 22908008    | 40174387    | LIFTING PLATE        |         | D      | DDL-9000C | *     |      | 1   | 1.00     |
| 43  |             | RE0500000K0 |             | E-RING               |         |        |           | *     |      | 1   |          |
| 44  |             | 22908305    |             | KNEE LIFTER SIDE ROD |         |        |           | *     |      | 1   |          |
| 45  |             | 22907703    |             | PRESSER GUIDE BAR    |         |        |           |       |      | 1   |          |
| 46  |             | CQ202000000 |             | OIL WICK             |         |        |           |       |      | .2  |          |

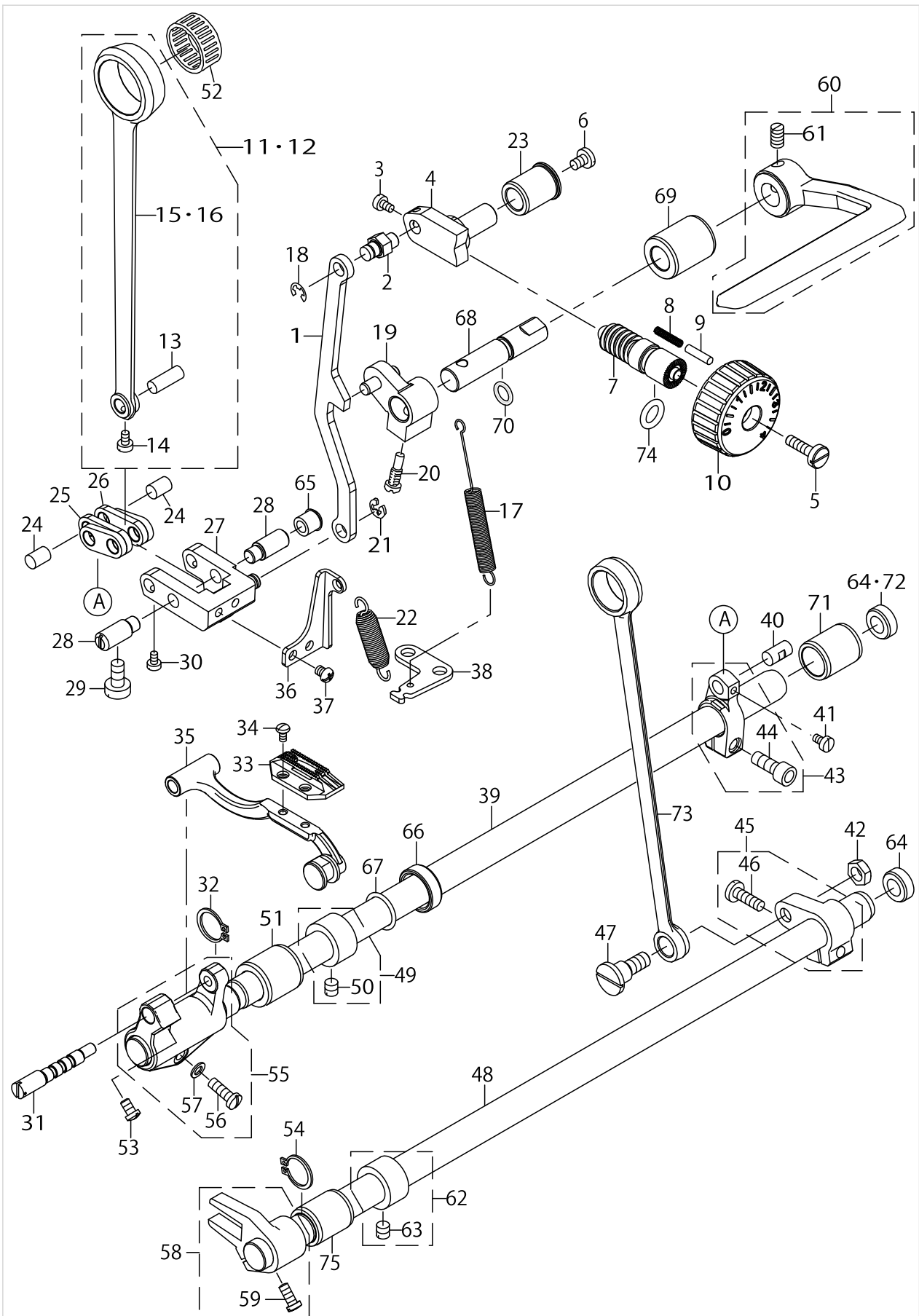
FEED MECHANISM COMPONENTS



FEED MECHANISM COMPONENTS

| No. | Supply Code | Parts No.   | Replacement | Parts name                              | Remarks                             | Choice | Step | Level | Cons | Qty | Rep. QTY |
|-----|-------------|-------------|-------------|---|-------------------------------------|--------|------|-------|------|-----|----------|
| 1   |             | 22941108    |             | FEED ADJUST ROD                         |                                     |        |      |       |      | 1   |          |
| 2   |             | 22911507    |             | WALKING FOOT PIN C                      |                                     |        |      |       |      | 1   |          |
| 3   |             | SS6090670TP |             | SCREW 9/64-40 L=6                       |                                     |        |      |       |      | 2   |          |
| 4   |             | 22911606    |             | FEED REGULATOR                          |                                     |        |      |       |      | 1   |          |
| 5   |             | SS6121860SP |             | SCREW 3/16-28 L=18                      |                                     |        |      |       |      | 1   |          |
| 6   |             | SS7120770SH |             | SCREW 3/16-28 L=7                       |                                     |        |      |       |      | 1   |          |
| 7   |             | 22911804    |             | FEED REGULATOR SCREW                    |                                     |        |      |       |      | 1   |          |
| 8   |             | 22912109    |             | FEED REGULATOR PIN SPRING               |                                     |        |      |       |      | 1   |          |
| 9   |             | 22912000    |             | FEED REGULATOR PIN                      |                                     |        |      |       |      | 1   |          |
| 10  |             | 22940506    |             | FEED DIAL                               |                                     |        |      |       |      | 1   |          |
| 11  |             | 22910251    |             | CONNECTING ROD ASM.                     |                                     |        |      |       |      | 1   |          |
| 12  |             | 22913859    |             | ROCKER SHAFT CO-<br>NNECTING ROD B ASM. | ACCORDIN-<br>G TO DES-<br>TINATIONS |        |      |       |      | 1   |          |
| 13  |             | 22911101    |             | WALKING FOOT PIN C                      |                                     |        |      | *     |      | 1   |          |
| 14  |             | SS6090620TP |             | SCREW                                   |                                     |        |      | *     |      | 1   |          |
| 15  | R           | 22910202    | 22910251    | ROCKER SHAFT CO-<br>NNECTING ROD        |                                     |        |      | *     |      | 1   | 1.00     |
| 16  | R           | 22913800    | 22913859    | ROCKER SHAFT CO-<br>NNECTING ROD B      | ACCORDIN-<br>G TO DES-<br>TINATIONS |        |      | *     |      | 1   | 1.00     |
| 17  |             | 11010311    |             | LEVER SPRING                            |                                     |        |      |       |      | 1   |          |
| 18  |             | RE0500000K0 |             | E-RING                                  |                                     |        |      |       |      | 1   |          |
| 19  |             | 22912257    |             | FEED REVERSE ARM ASM.                   |                                     |        |      |       |      | 1   |          |
| 20  |             | 22912505    |             | FEED REVERSE ARM SCREW                  |                                     |        |      |       |      | 1   |          |
| 21  |             | RE0500000K0 |             | E-RING                                  |                                     |        |      |       |      | 1   |          |
| 22  |             | 11037405    |             | SPRING                                  |                                     |        |      |       |      | 1   |          |
| 23  |             | 11009800    |             | FEED REGULATOR BUSHING                  |                                     |        |      |       |      | 1   |          |
| 24  |             | 22910905    |             | WALKING FOOT PIN A                      |                                     |        |      |       |      | 2   |          |
| 25  |             | 40089548    |             | CONNECTING LINK B                       |                                     |        |      |       |      | 2   |          |
| 26  |             | 40093417    |             | CONNECTING LINK A                       |                                     |        |      |       |      | 2   |          |
| 27  |             | 22940951    |             | FEED ADJUST LINK ASM.                   |                                     |        |      |       |      | 1   |          |
| 28  |             | 22910806    |             | ADJUST LINK FULCRUM SHAFT A             |                                     |        |      |       |      | 2   |          |
| 29  |             | SS6151220SP |             | SCREW 15/64-28 L=11.5                   |                                     |        |      |       |      | 2   |          |
| 30  |             | SS6090620TP |             | SCREW                                   |                                     |        |      |       |      | 2   |          |
| 31  |             | 40125485    |             | FEED_BASE_SHAFT                         |                                     |        |      |       |      | 1   |          |
| 32  |             | RC0150001KP |             | RETAINING RING 13.8                     |                                     |        |      |       |      | 1   |          |
| 33  |             | B1613012I00 |             | FEED DOG I                              |                                     |        |      |       |      | 1   |          |
| 34  |             | SS4080620TP |             | SCREW 1/8-44 L=6                        |                                     |        |      |       |      | 2   |          |
| 35  |             | 22940753    |             | FEED BAR ASM.                           |                                     |        |      |       |      | 1   |          |
| 36  |             | 22941306    |             | REGULATOR LINK SPRING HOOK              |                                     |        |      |       |      | 1   |          |
| 37  |             | SS4110515SP |             | SCREW 11/64-40 L=5                      |                                     |        |      |       |      | 2   |          |
| 38  |             | 22913701    |             | FEED SPRING HOOK                        |                                     |        |      |       |      | 1   |          |
| 39  |             | 40156684    |             | FEEDROCKERSHAFT                         |                                     |        |      |       |      | 1   |          |
| 40  |             | 22911002    |             | WALKING FOOT PIN B                      |                                     |        |      |       |      | 1   |          |
| 41  |             | SS6090620TP |             | SCREW                                   |                                     |        |      |       |      | 1   |          |
| 42  |             | NS6680410SP |             | NUT 9/32-28                             |                                     |        |      |       |      | 1   |          |
| 43  |             | 40110379    |             | ASSY_FEED_ROCKER_ARM                    |                                     |        |      |       |      | 1   |          |
| 44  |             | SS6121610SP |             | SCREW 3/16-28 L=15.5                    |                                     |        |      | *     |      | 1   |          |

FEED MECHANISM COMPONENTS

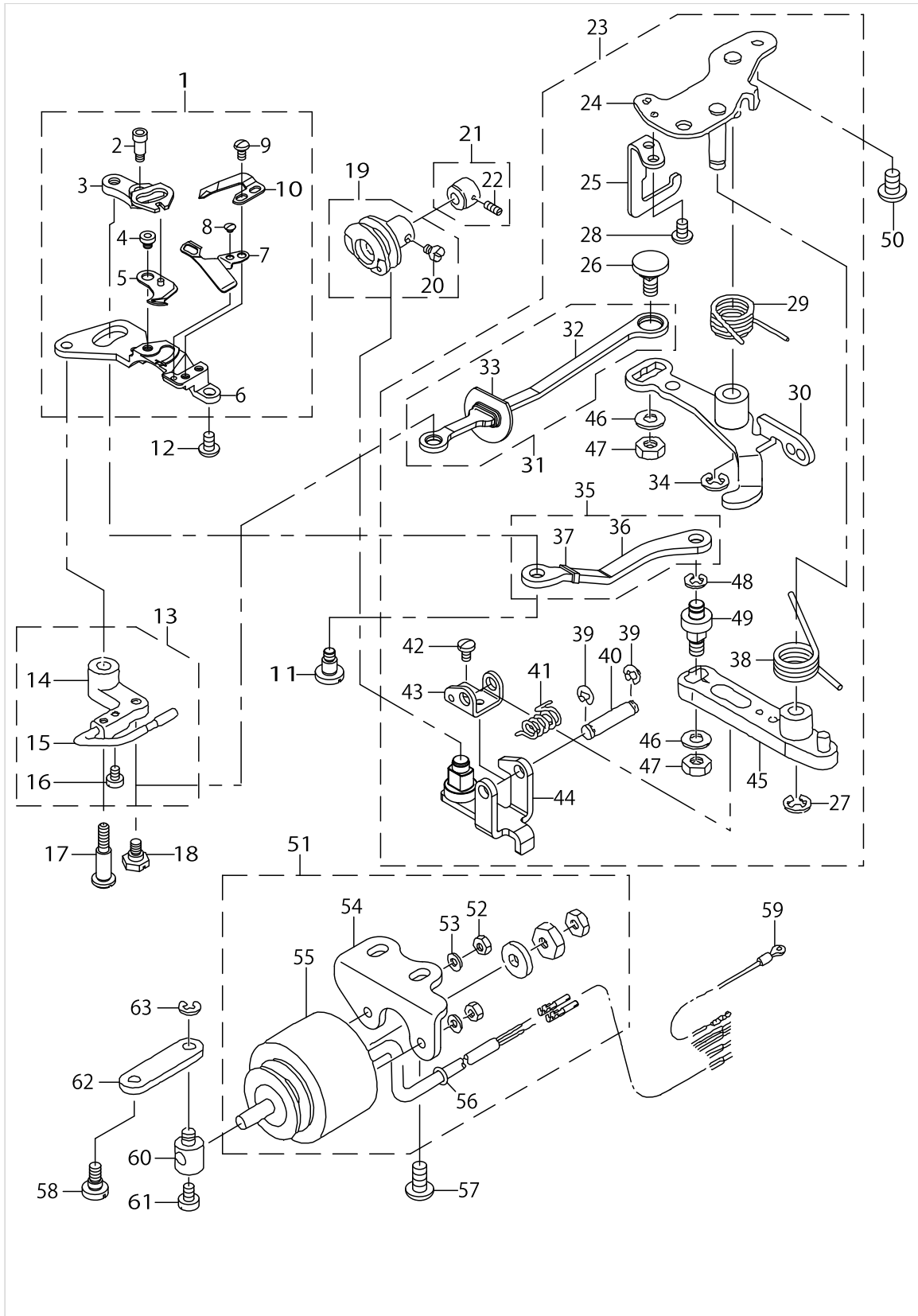


FEED MECHANISM COMPONENTS

| No. | Supply Code | Parts No.   | Replacement | Parts name                     | Remarks                                   | Choice | Step | Level | Cons | Qty | Rep. QTY |
|-----|-------------|-------------|-------------|--------------------------------|---|--------|------|-------|------|-----|----------|
| 45  |             | 40109422    |             | FEED_ARM_ASM                   |   |        |      |       |      | 1   |          |
| 46  |             | SS7121610SP |             | SCREW 3/16-28 L=15.5           |   |        |      | *     |      | 1   |          |
| 47  |             | SD1000801SH |             | HINGE SCREW D=10 H=8           |   |        |      |       |      | 1   |          |
| 48  |             | 40156686    |             | FEED DRIVING SHAFT             |   |        |      |       |      | 1   |          |
| 49  |             | 22904155    |             | MAIN SHAFT THRU-ST COLLAR ASM. |   |        |      |       |      | 1   |          |
| 50  |             | SS8660610TP |             | SCREW 1/4-40 L=6               |   |        |      | *     |      | 2   |          |
| 51  | R           | 40156685    | 40162859    | FEED ROCKER SHAFT BUSHING      |   |        |      |       |      | 1   | 1.00     |
| 52  |             | 40111897    |             | BEARING                        | ACCORDIN-<br>G TO DES-<br>TINATIONS       |        |      |       |      | 1   |          |
| 53  |             | SS7110740TP |             | SCREW 11/64-40 L=7             |   |        |      |       |      | 1   |          |
| 54  |             | RC0150001KP |             | RETAINING RING 13.8            |   |        |      |       |      | 1   |          |
| 55  |             | 22940654    |             | FEED ROCKER ASM.               |   |        |      |       |      | 1   |          |
| 56  |             | SS7121410TP |             | SCREW 3/16-28 L=14             |   |        |      | *     |      | 1   |          |
| 57  |             | WP0480856SP |             | WASHER 4.8X8.4X0.8             |   |        |      | *     |      | 1   |          |
| 58  |             | 22915359    |             | DRIVING SHAFT CRANK ASM.       |   |        |      |       |      | 1   |          |
| 59  | R           | SS7111120SP | SS7111120TP | SCREW 11/64-40 L=10.5          |   |        |      | *     |      | 1   | 1.00     |
| 60  |             | 40102264    |             | FEED_REVER_ASM.                |   |        |      |       |      | 1   |          |
| 61  |             | SM8061010TP |             | SCREW                          |   |        |      | *     |      | 2   |          |
| 62  |             | 22904155    |             | MAIN SHAFT THRU-ST COLLAR ASM. |   |        |      |       |      | 1   |          |
| 63  |             | SS8660610TP |             | SCREW 1/4-40 L=6               |   |        |      | *     |      | 2   |          |
| 64  |             | 40156758    |             | FEED SHAFT RUBBER              | ACCORDIN-<br>G TO MAN-<br>UFACTURING BASE |        |      |       |      | 2   |          |
| 65  |             | TA0950806R0 |             | RUBBER PLUG                    |   |        |      |       |      | 1   |          |
| 66  |             | 40086740    |             | OIL SEAL                       |   |        |      |       |      | 1   |          |
| 67  |             | RO133170100 |             | RUBBER RING                    |   |        |      |       |      | 1   |          |
| 68  |             | 40100812    |             | FEED LEVER SHAFT               |   |        |      |       |      | 1   |          |
| 69  |             | 22912802    |             | FEED LEVER SHAFT BUSHING       |   |        |      |       |      | 1   |          |
| 70  |             | RO078190100 |             | RUBBER RING                    |   |        |      |       |      | 1   |          |
| 71  |             | 40158189    |             | BUSHING                        | ACCORDIN-<br>G TO MAN-<br>UFACTURING BASE |        |      |       |      | 1   |          |
| 72  |             | TA2000502R0 |             | RUBBER PLUG                    | ACCORDIN-<br>G TO MAN-<br>UFACTURING BASE |        |      |       |      | 1   |          |
| 73  |             | 22915003    |             | CONNECTING ROD                 |   |        |      |       |      | 1   |          |
| 74  |             | RO092270200 |             | RUBBER RING                    |   |        |      |       |      | 1   |          |
| 75  |             | 22913008    |             | FEED ROCKER SHAFT BUSHING      |   |        |      |       |      | 1   |          |



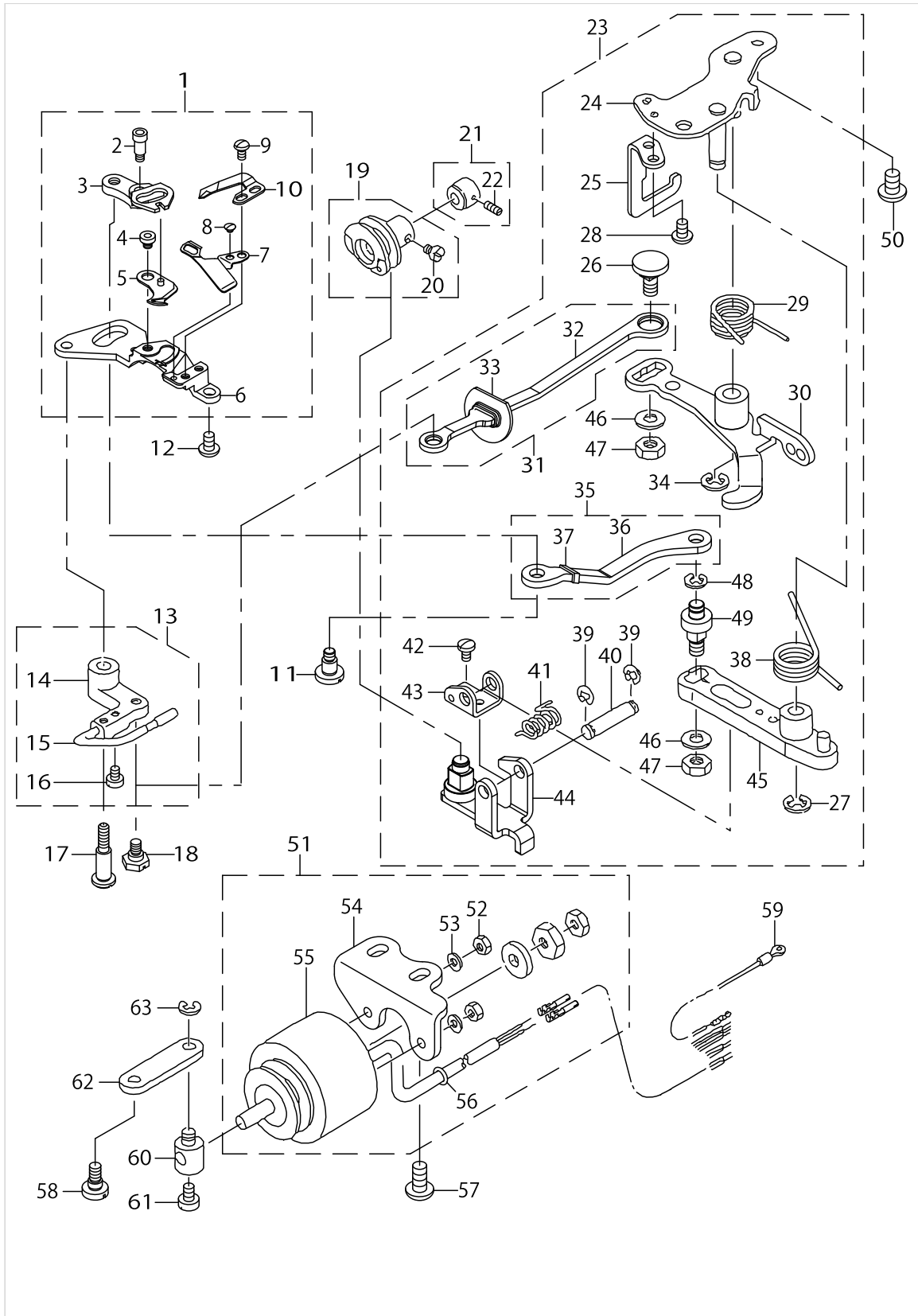
# THREAD TRIMMER COMPONENTS



THREAD TRIMMER COMPONENTS

| No. | Supply Code | Parts No.   | Replacement | Parts name                  | Remarks | Choice | Step                      | Level | Cons | Qty | Rep. QTY |
|-----|-------------|-------------|-------------|-----------------------------|---------|--------|---------------------------|-------|------|-----|----------|
| 1   |             | 40130579    |             | KNIFE UNIT                  |         |        |                           |       |      | 1   |          |
| 2   |             | SD0460703TP |             | HINGE SCREW D=4.6 H=7       |         |        |                           | *     |      | 1   |          |
| 3   |             | 22948202    |             | FORKED BASE FOR KNIFE       |         |        |                           | *     |      | 1   |          |
| 4   |             | 11040409    |             | MOVING KNIFE HINGE SCREW    |         |        |                           | *     |      | 1   |          |
| 5   |             | 11040052    |             | MOVING KNIFE ASM.           |         |        |                           | *     | ☆    | 1   |          |
| 6   | R           | 40130580    | 40143120    | KNIFE INSTALLING BASE       |         | A      | DDL-8700-BH-7,DDL8700NJ-7 | *     |      | 1   | 1.00     |
| 6   | R           | 40130580    | 22947956    | KNIFE INSTALLING BASE       |         | B      | Other                     | *     |      | 1   | 1.00     |
| 6   | R           | 40130580    | 22947907    | KNIFE INSTALLING BASE       |         | C      | DDL-8700B7 H              | *     |      | 1   | 1.00     |
| 7   |             | 22947808    |             | THREAD GUIDE FOR KNIFE      |         |        |                           | *     | ☆    | 1   |          |
| 8   |             | SS2060210SP |             | SCREW 3/32-56 L=2.3         |         |        |                           | *     |      | 1   |          |
| 9   |             | SS4080620TP |             | SCREW 1/8-44 L=6            |         |        |                           | *     |      | 2   |          |
| 10  |             | D2406555D0H |             | COUNTER KNIFE               |         |        |                           | *     | ☆    | 1   |          |
| 11  |             | SD0640631TP |             | HINGE SCREW D=6.35 H=6.3    |         |        |                           | *     |      | 1   |          |
| 12  |             | SS4110715SP |             | SCREW 11/64-40 L=7          |         |        |                           | *     |      | 1   |          |
| 13  |             | 22950257    |             | PICKER ARM ASM.             |         |        |                           | *     |      | 1   |          |
| 14  |             | 22950208    |             | PICKER ARM                  |         |        |                           | *     |      | 1   |          |
| 15  |             | 22950356    |             | HOOK THREAD PRESSER ASM.    |         |        |                           | *     | ☆    | 1   |          |
| 16  |             | SS6090510TP |             | SCREW 9/64-40 L=5.0         |         |        |                           | *     |      | 2   |          |
| 17  |             | SD0641451SP |             | HINGE SCREW D=6.35 H=14.5   |         |        |                           | *     |      | 1   |          |
| 18  |             | SD0630275SP |             | HINGE SCREW D=6.35 H=2.7    |         |        |                           | *     |      | 1   |          |
| 19  |             | 22950851    |             | THREAD TRIMMER CAM ASM.     |         |        |                           | *     |      | 1   |          |
| 20  |             | SS6660610TP |             | SCREW 1/4-40 L=6            |         |        |                           | *     |      | 2   |          |
| 21  |             | 22950950    |             | CAM COLLAR ASM.             |         |        |                           | *     |      | 1   |          |
| 22  |             | SS8110520TP |             | SCREW 11/64-40 L=4.5        |         |        |                           | *     |      | 1   |          |
| 23  |             | 40156728    |             | THREAD TRIMMER DRIVING UNIT |         |        |                           | *     |      | 1   |          |
| 24  |             | 22949754    |             | BASE PLATE ASM.             |         |        |                           | *     |      | 1   |          |
| 25  |             | 22950703    |             | DRIVING ARM STOPPER         |         |        |                           | *     |      | 1   |          |
| 26  |             | 22950000    |             | PICKER LINK PIN             |         |        |                           | *     |      | 1   |          |
| 27  |             | RE0600000K0 |             | E-RING 6                    |         |        |                           | *     |      | 1   |          |
| 28  |             | SS4110715SP |             | SCREW 11/64-40 L=7          |         |        |                           | *     |      | 2   |          |
| 29  |             | 22949408    |             | CLUTCH SPRING               |         |        |                           | *     |      | 1   |          |
| 30  |             | 40087245    |             | CLUTCH PLATE ASM.           |         |        |                           | *     |      | 1   |          |
| 31  |             | 40156999    |             | PICKER_LINK_ASM             |         |        |                           | *     |      | 1   |          |
| 32  |             | 40156699    |             | PICKER LINK                 |         |        |                           | *     |      | 1   |          |
| 33  |             | 40156721    |             | PICKERLINK RUBBER           |         |        |                           | *     |      | 1   |          |
| 34  |             | RE0600000K0 |             | E-RING 6                    |         |        |                           | *     |      | 1   |          |
| 35  |             | 40157336    |             | MOVING KNIFE LINK ASM.      |         |        |                           | *     |      | 1   |          |
| 36  |             | 22948301    |             | MOVING KNIFE LINK           |         |        |                           | *     |      | 1   |          |
| 37  |             | 22919203    |             | OIL PROTECTING RUBBER       |         |        |                           | *     |      | 1   |          |
| 38  |             | 22949309    |             | KNIFE RETURN SPRING B       |         |        |                           | *     |      | 1   |          |
| 39  |             | RE0400000K0 |             | E-RING 4                    |         |        |                           | *     |      | 2   |          |
| 40  |             | 22949101    |             | ROLLER FULCRUM SHAFT        |         |        |                           | *     |      | 1   |          |
| 41  |             | 22949200    |             | ROLLER RETURN SPRING        |         |        |                           | *     |      | 1   |          |
| 42  |             | SS7090610SP |             | SCREW 9/64-40 L=6           |         |        |                           | *     |      | 1   |          |
| 43  |             | 22949002    |             | ROLLER ARM SEAT             |         |        |                           | *     |      | 1   |          |
| 44  |             | 11040953    |             | ROLLER ARM ASM.             |         |        |                           | *     |      | 1   |          |

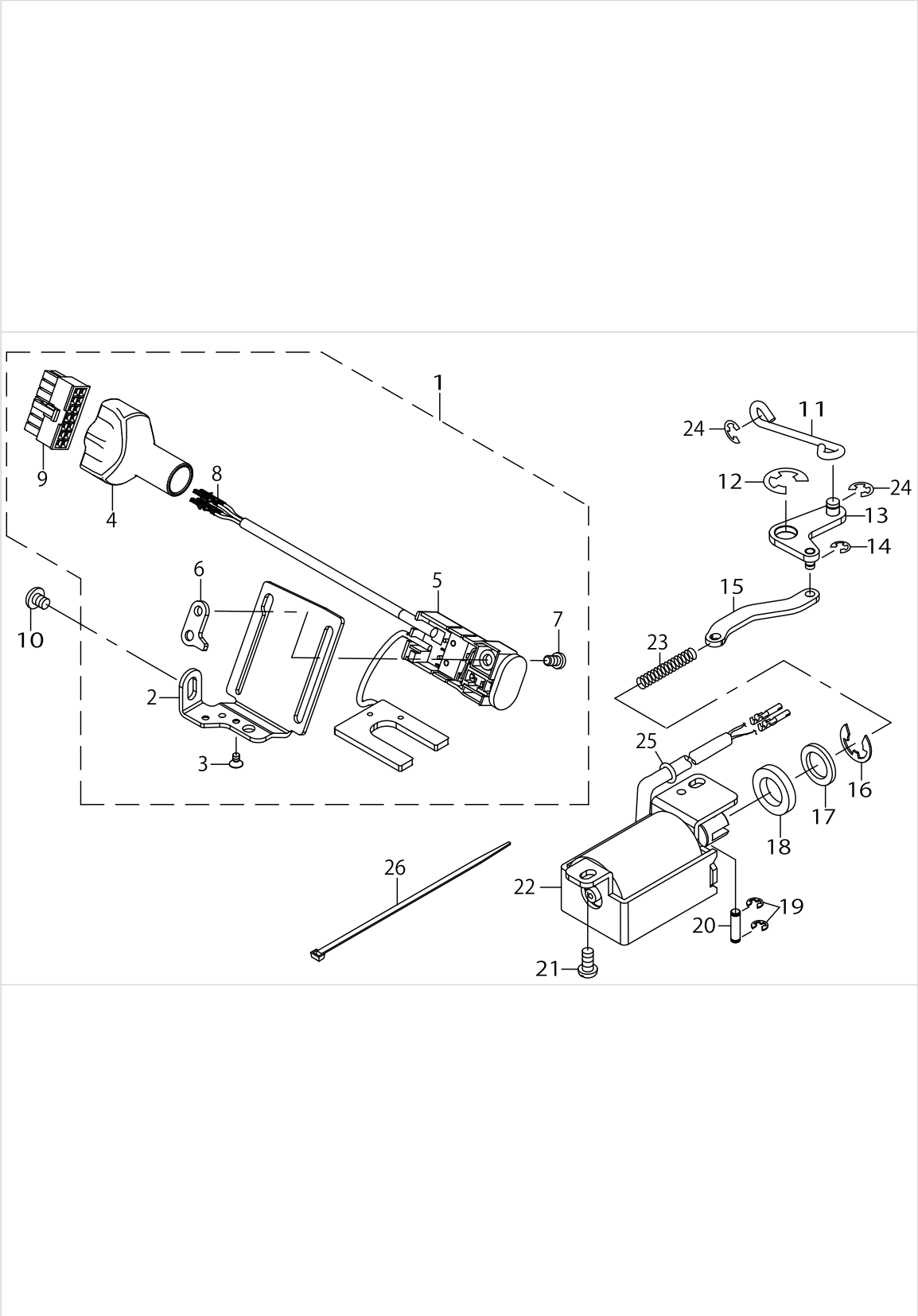
# THREAD TRIMMER COMPONENTS



THREAD TRIMMER COMPONENTS

| No. | Supply Code | Parts No.   | Replacement | Parts name                   | Remarks | Choice | Step | Level | Cons | Qty | Rep. QTY |
|-----|-------------|-------------|-------------|------------------------------|---------|--------|------|-------|------|-----|----------|
| 45  |             | 22948558    |             | KNIFE DRIVING ARM ASM.       |         |        |      | *     |      | 1   |          |
| 46  |             | WP0621016SH |             | WASHER                       |         |        |      | *     |      | 2   |          |
| 47  |             | NS6150430SP |             | NUT 15/64-28                 |         |        |      | *     |      | 2   |          |
| 48  |             | RE0500000K0 |             | E-RING                       |         |        |      | *     |      | 1   |          |
| 49  |             | 22948400    |             | MOVING KNIFE LINK PIN        |         |        |      | *     |      | 1   |          |
| 50  |             | SS4150915SP |             | SCREW 15/64-28 L=9           |         |        |      |       |      | 2   |          |
| 51  |             | 40156700    |             | THREAD TRIMMER SOLENOID ASM. |         |        |      |       |      | 1   |          |
| 52  |             | NM6040001SE |             | NUT M4                       |         |        |      | *     |      | 2   |          |
| 53  |             | WS0410002KR |             | SPRING WASHER M4             |         |        |      | *     |      | 2   |          |
| 54  |             | 22951404    |             | SOLENOID BASE                |         |        |      | *     |      | 1   |          |
| 55  |             | 40156701    |             | THREAD TRIMMER SOLENOID      |         |        |      | *     |      | 1   |          |
| 56  |             | RO044240100 |             | RUBBER RING                  |         |        |      | *     |      | 1   |          |
| 57  |             | SS4151215SP |             | SCREW 15/64-28 L=12          |         |        |      |       |      | 2   |          |
| 58  |             | SD0600361SP |             | HINGE SCREW D=6 H=3.6        |         |        |      |       |      | 1   |          |
| 59  |             | 40112907    |             | GROUND WIRE ASM.             |         |        |      |       |      | 1   |          |
| 60  |             | 22951008    |             | SOLENOID PIN                 |         |        |      |       |      | 1   |          |
| 61  |             | SS6110710TP |             | SCREW 11/64-40 L=6.5         |         |        |      |       |      | 1   |          |
| 62  |             | 22949903    |             | CLUTCH LINK                  |         |        |      |       |      | 1   |          |
| 63  |             | RE0500000K0 |             | E-RING                       |         |        |      |       |      | 1   |          |

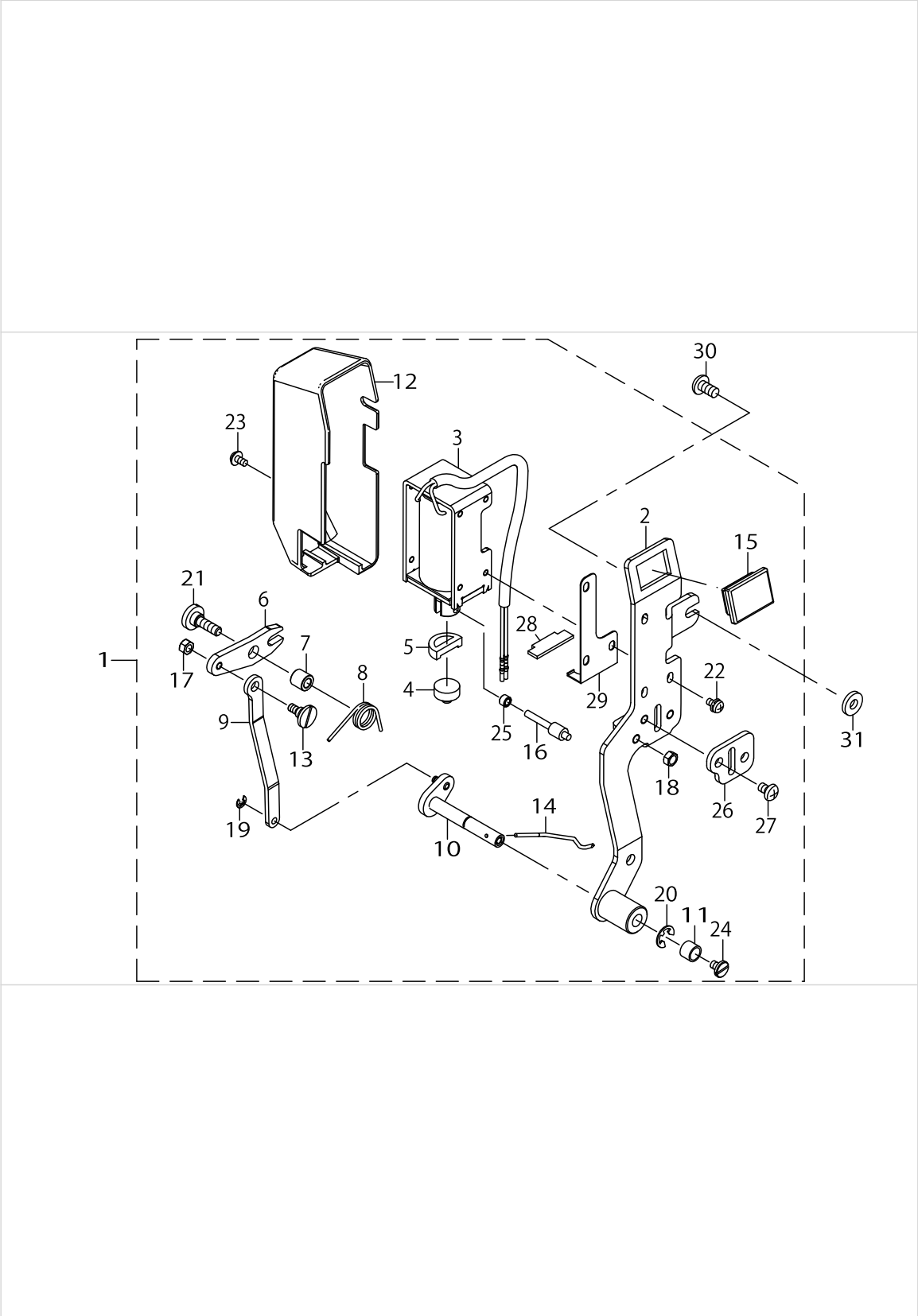
AUTOMATIC REVERSE FEED COMPONENTS



AUTOMATIC REVERSE FEED COMPONENTS

| No. | Supply Code | Parts No.   | Replacement | Parts name                     | Remarks | Choice | Step | Level | Cons | Qty | Rep. QTY |
|-----|-------------|-------------|-------------|--------------------------------|---------|--------|------|-------|------|-----|----------|
| 1   |             | 40148382    |             | LED_BT_SWITCH_ASSY             |         |        |      |       | ☆    | 1   |          |
| 2   |             | 40139771    |             | LED_BASE                       |         |        |      | *     |      | 1   |          |
| 3   |             | 40140191    |             | LED_SCREW                      |         |        |      | *     |      | 2   |          |
| 4   |             | 40140306    |             | CONNECTOR_COVER                |         |        |      | *     |      | 1   |          |
| 5   | R           | 40149069    | 40148382    | LED_BT_SWITCH                  |         |        |      | *     |      | 1   | 1.00     |
| 6   |             | 23632102    |             | REVERSE FEED SWITCH BASE GUIDE |         |        |      | *     |      | 1   |          |
| 7   |             | SS7110740TP |             | SCREW 11/64-40 L=7             |         |        |      | *     |      | 1   |          |
| 8   |             | HK03464000B |             | PIN CONTACT                    |         |        |      | *     |      | 4   |          |
| 9   |             | HK034610140 |             | HOUSING 14P                    |         |        |      | *     |      | 1   |          |
| 10  |             | SS4120615SP |             | SCREW 3/16-28 L=6              |         |        |      |       |      | 1   |          |
| 11  |             | 11101300    |             | REVERSE FEED CONNECTING SHAFT  |         |        |      |       |      | 1   |          |
| 12  |             | RE0900000K0 |             | E-RING 9                       |         |        |      |       |      | 1   |          |
| 13  |             | 22953657    |             | CONNECTING ARM ASM.            |         |        |      |       |      | 1   |          |
| 14  |             | RE0400000KP |             | E-RING 4                       |         |        |      |       |      | 1   |          |
| 15  |             | 40156723    |             | AUTO-BACK_SOLENOID_LINK        |         |        |      |       |      | 1   |          |
| 16  |             | RE1200000K0 |             | E-RING 12                      |         |        |      |       |      | 1   |          |
| 17  |             | WP1602616SZ |             | WASHER 16X24X2.6               |         |        |      |       |      | 1   |          |
| 18  |             | 22953400    |             | RUBBER PLUNGER                 |         |        |      |       |      | 1   |          |
| 19  |             | RE0400000K0 |             | E-RING 4                       |         |        |      |       |      | 2   |          |
| 20  |             | 22953509    |             | PLUNGER ARM PIN                |         |        |      |       |      | 1   |          |
| 21  |             | SS4151215SP |             | SCREW 15/64-28 L=12            |         |        |      |       |      | 2   |          |
| 22  |             | 40156722    |             | REVERSE_FEED_SOLENOID          |         |        |      |       |      | 1   |          |
| 23  |             | 22954002    |             | PLUNGER SPRING                 |         |        |      |       |      | 1   |          |
| 24  |             | RE0500000KP |             | E-RING 5                       |         |        |      |       |      | 2   |          |
| 25  |             | RO044240100 |             | RUBBER RING                    |         |        |      |       |      | 1   |          |
| 26  |             | HX00065000A |             | CABLE CLIP                     |         |        |      |       |      | 1   |          |

WIPER COMPONENTS

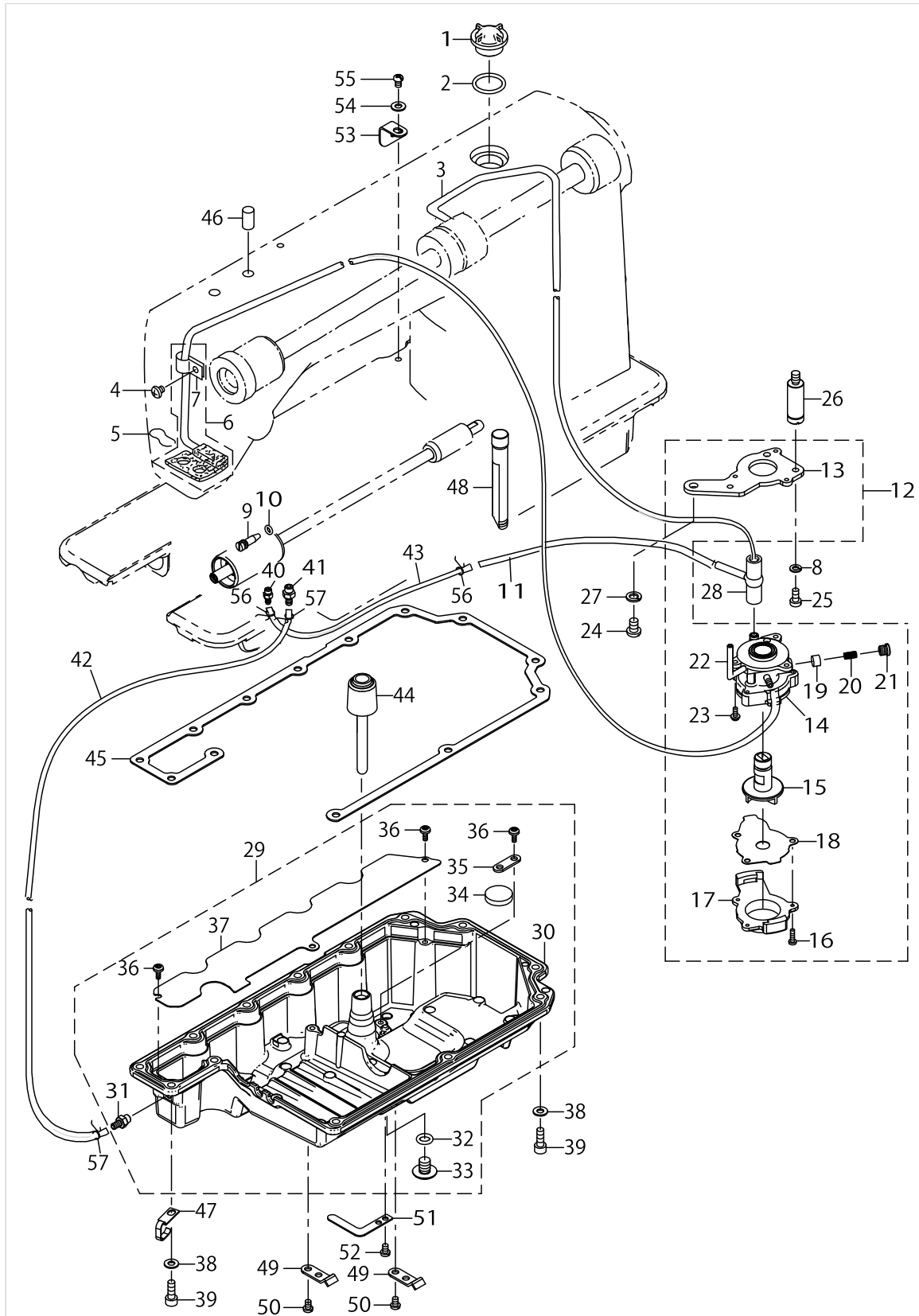


WIPER COMPONENTS

| No. | Supply Code | Parts No.   | Replacement | Parts name                 | Remarks | Choice | Step | Level | Cons | Qty | Rep. QTY |
|-----|-------------|-------------|-------------|----------------------------|---------|--------|------|-------|------|-----|----------|
| 1   |             | 40140992    |             | WIPER_ASSY                 |         |        |      |       |      | 1   |          |
| 2   |             | 40140994    |             | WIPER_BASE_ASSY            |         |        |      | *     |      | 1   |          |
| 3   |             | 40110999    |             | WIPER SOLENOID             |         |        |      | *     |      | 1   |          |
| 4   |             | 22955900    |             | WIPER RUBBER A             |         |        |      | *     |      | 1   |          |
| 5   |             | 22956007    |             | WIPER RUBBER B             |         |        |      | *     |      | 1   |          |
| 6   |             | 22956106    |             | WIPER LINK A               |         |        |      | *     |      | 1   |          |
| 7   |             | 22956205    |             | WIPER HINGE SCREW COLLAR   |         |        |      | *     |      | 1   |          |
| 8   |             | 22956304    |             | WIPER SPRING               |         |        |      | *     |      | 1   |          |
| 9   |             | 22956403    |             | WIPER LINK B               |         |        |      | *     |      | 1   |          |
| 10  |             | 40041419    |             | WIPER LINK C ASM.          |         |        |      | *     |      | 1   |          |
| 11  |             | 22956809    |             | WIPER COLLAR               |         |        |      | *     |      | 1   |          |
| 12  |             | 22955504    |             | WIPER COVER                |         |        |      | *     |      | 1   |          |
| 13  |             | 22956908    |             | WIPER LINK B HINGE SCREW   |         |        |      | *     |      | 1   |          |
| 14  |             | 40140991    |             | WIPER                      |         |        |      | *     |      | 1   |          |
| 15  |             | 40086678    |             | WIPER_SW_RUBBER            |         |        |      | *     |      | 1   |          |
| 16  |             | 40077852    |             | WIPER SOLENOID SHAFT       |         |        |      | *     |      | 1   |          |
| 17  |             | NS6090310SP |             | NUT 9/64-40                |         |        |      | *     |      | 1   |          |
| 18  |             | NS6110310SP |             | NUT 11/64-40               |         |        |      | *     |      | 1   |          |
| 19  |             | RE0250000K0 |             | E-RING 2.5                 |         |        |      | *     |      | 1   |          |
| 20  |             | RE0500000K0 |             | E-RING                     |         |        |      | *     |      | 1   |          |
| 21  |             | SD0650321TP |             | HINGE SCREW D=6.5 H=3.2    |         |        |      | *     |      | 1   |          |
| 22  |             | SL4030641SE |             | SCREW                      |         |        |      | *     |      | 3   |          |
| 23  |             | SL4030631SC |             | SCREW M3X6                 |         |        |      | *     |      | 1   |          |
| 24  |             | SS6090540SP |             | SCREW 9/64-40 L=5.0        |         |        |      | *     |      | 1   |          |
| 25  |             | 22957203    |             | WIPER LINK COLLAR          |         |        |      | *     |      | 1   |          |
| 26  |             | 40077851    |             | WIPER SOLENOID SHAFT GUIDE |         |        |      | *     |      | 1   |          |
| 27  |             | SS4110615SP |             | SCREW 11/64-40 L=6         |         |        |      | *     |      | 2   |          |
| 28  |             | 40086679    |             | WIPER_STOPPER_RUBBER       |         |        |      | *     |      | 1   |          |
| 29  |             | 40037500    |             | RUBBER HOLDER              |         |        |      | *     |      | 1   |          |
| 30  |             | SS4120925SP |             | SCREW 3/16-28 L=9          |         |        |      |       |      | 1   |          |
| 31  |             | WP0482086SD |             | WASHER 4.8X11.5X2          |         |        |      |       |      | 1   |          |



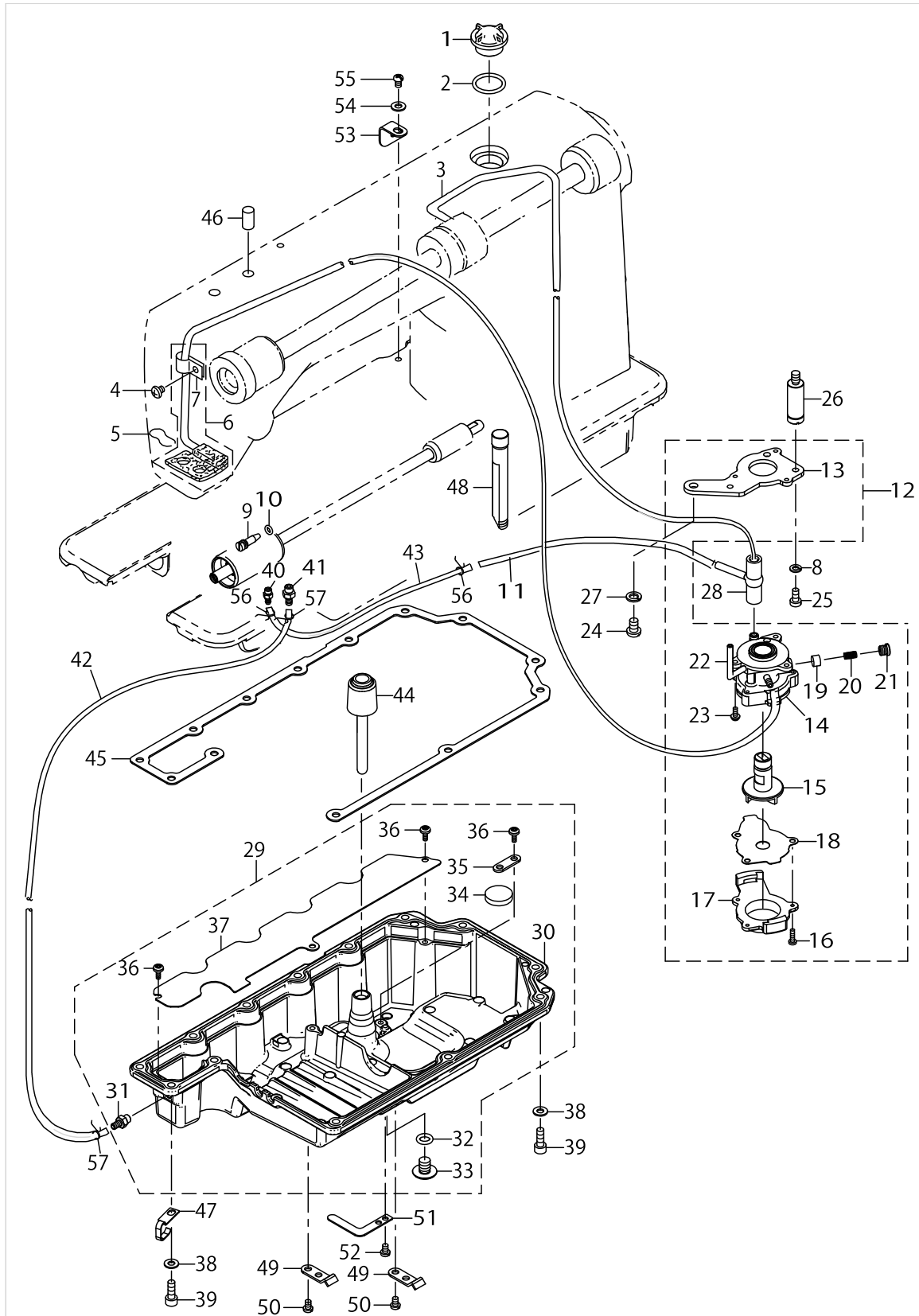
OIL LUBRICATION COMPONENTS



OIL LUBRICATION COMPONENTS

| No. | Supply Code | Parts No.   | Replacement | Parts name                  | Remarks | Choice | Step  | Level | Cons | Qty | Rep. QTY |
|-----|-------------|-------------|-------------|-----------------------------|---------|--------|---|-------|------|-----|----------|
| 1   |             | 22924708    |             | OIL SIGHT WINDOW            |         |        |   |       |      | 1   |          |
| 2   |             | RO195240100 |             | RUBBER RING                 |         |        |   |       |      | 1   |          |
| 3   |             | 22924401    |             | MAINSHAFTOILTUBE            |         |        |   |       |      | 1   |          |
| 4   |             | SS4120615SP |             | SCREW 3/16-28 L=6           |         |        |   |       |      | 1   |          |
| 5   |             | 22925101    |             | OIL FELT PRESSER            |         |        |   |       |      | 1   |          |
| 6   |             | 22924153    |             | OIL RETURN TUBE ASM.        |         |        |   |       |      | 1   |          |
| 7   |             | 22924302    |             | HOLDER                      |         |        |   | *     |      | 1   |          |
| 8   |             | WS0451040KP |             | SPRING WASHER 4.5X8.5X1     |         |        |   |       |      | .3  |          |
| 9   |             | 40037502    |             | OIL ADJUSTING SCREW         |         |        |   |       |      | 1   |          |
| 10  |             | RO037180100 |             | RUBBER RING                 |         |        |   |       |      | 1   |          |
| 11  |             | 40156696    |             | HOOK OIL PIPE               |         |        |   |       |      | 1   |          |
| 12  |             | 22923056    |             | LUBRICATING OIL PUMP ASM.   |         |        |   |       |      | 1   |          |
| 13  | R           | 22923312    | 11392057    | OIL PUMP INSTALLING BASE    |         | A      | DLD5430   | *     |      | 1   | 1.00     |
| 13  | R           | 22923312    | 11404555    | OIL PUMP INSTALLING BASE    |         | B      | DDL5600/-<br>8100e, DU1181                          | *     |      | 1   | 1.00     |
| 13  | R           | 22923312    | 22923056    | OIL PUMP INSTALLING BASE    |         | C      | DDL8700/-<br>8300/8500-<br>/900A, DM-<br>N5420/5400 | *     |      | 1   | 1.00     |
| 14  | R           | 22923015    | 22923056    | OIL PUMP                    |         |        |   | *     |      | 1   | 1.00     |
| 15  |             | 22923700    |             | OIL PUMP IMPELLER           |         |        |   | *     |      | 1   |          |
| 16  |             | SE4301041SR |             | SCREW D=3 L=10              |         |        |   | *     |      | 1   |          |
| 17  |             | 22923205    |             | LUBRICATING OIL PUMP COVER  |         |        |   | *     |      | 1   |          |
| 18  |             | 22923809    |             | OIL PUMP IMPELLER COVER     |         |        |   | *     |      | 1   |          |
| 19  |             | 22923403    |             | PLUNGER                     |         |        |   | *     |      | 1   |          |
| 20  |             | 22923601    |             | PLUNGER SPRING              |         |        |   | *     |      | 1   |          |
| 21  |             | 22923502    |             | PLUNGER SCREW               |         |        |   | *     |      | 1   |          |
| 22  |             | 22923908    |             | HOOK DRIVING SHAFT OIL TUBE |         |        |   | *     |      | 1   |          |
| 23  |             | SL4030851SF |             | SCREW M3 L=8                |         |        |   | *     |      | 3   |          |
| 24  |             | SS4150915SP |             | SCREW 15/64-28 L=9          |         |        |   |       |      | 1   |          |
| 25  |             | SS6111010TP |             | SCREW 11/64-40 L=9.5        |         |        |   |       |      | 1   |          |
| 26  |             | 22947105    |             | OIL PUMP SUPPORT            |         |        |   |       |      | 1   |          |
| 27  |             | WS0651310KP |             | SPRING WASHER 6.5X11X1.3    |         |        |   |       |      | 1   |          |
| 28  |             | 22924609    |             | RUBBER JOINT                |         |        |   |       |      | 1   |          |
| 29  |             | 40156691    |             | OIL SHIELD ASSY             |         |        |   |       |      | 1   |          |
| 30  |             | 40156692    |             | OIL SHIELD                  |         |        |   | *     |      | 1   |          |
| 31  |             | SQ2060451MZ |             | CONNECTINGSCREW             |         |        |   | *     |      | 1   |          |
| 32  |             | 13170105    |             | RUBBER RING                 |         |        |   | *     |      | 1   |          |
| 33  | R           | 13171004    | SM0081001SD | DRAIN SCREW                 |         |        |   | *     |      | 1   | 1.00     |
| 34  |             | B8228125000 |             | OIL RESERVOIR MAGNET        |         |        |   | *     |      | 1   |          |
| 35  |             | 40024644    |             | MAGNET WASHER               |         |        |   | *     |      | 1   |          |
| 36  |             | ST4040821SS |             | TAPPING SCREW               |         |        |   | *     |      | 1   |          |
| 37  |             | 40156693    |             | DECK PLATE                  |         |        |   | *     |      | 4   |          |
| 38  |             | WP0501016SD |             | WASHER 5X10.5X1             |         |        |   |       |      | 13  |          |
| 39  |             | SM6051402TP |             | SCREW M5X0.8 L=14           |         |        |   |       |      | 13  |          |
| 40  |             | SQ2050453MZ |             | CONNECTINGSCREW             |         |        |   |       |      | 1   |          |
| 41  |             | SQ2060451MZ |             | CONNECTINGSCREW             |         |        |   |       |      | 1   |          |
| 42  |             | 23630007    |             | TUBE                        |         |        |   |       |      | .1  |          |

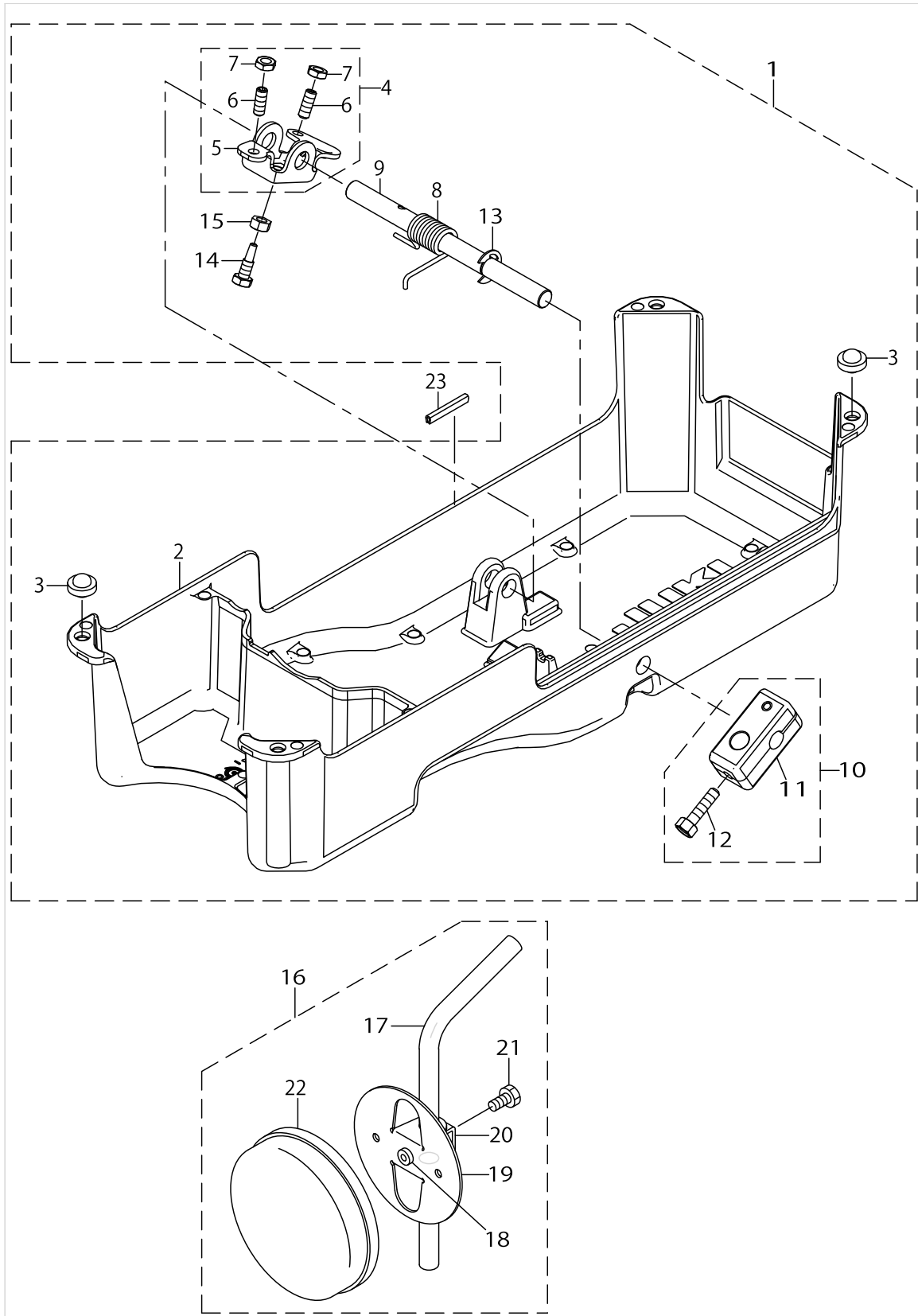
OIL LUBRICATION COMPONENTS



OIL LUBRICATION COMPONENTS

| No. | Supply Code | Parts No.   | Replacement | Parts name                 | Remarks | Choice | Step | Level | Cons | Qty | Rep. QTY |
|-----|-------------|-------------|-------------|----------------------------|---------|--------|------|-------|------|-----|----------|
| 43  |             | 23630007    |             | TUBE                       |         |        |      |       |      | .1  |          |
| 44  |             | 40156694    |             | KNEE LIFTER PUSH ROD       |         |        |      |       |      | 1   |          |
| 45  | R           | 40156695    | 40171642    | OIL SHIELD PACKING         |         |        |      |       |      | 1   | 1.00     |
| 46  |             | 11039203    |             | FELT                       |         |        |      |       |      | 1   |          |
| 47  |             | 40136258    |             | CORD HOLDER                |         |        |      |       |      | 1   |          |
| 48  |             | 40156690    |             | OIL SIGHT GAUGE            |         |        |      |       |      | 1   |          |
| 49  |             | 22944508    |             | WIRE PRESSER A             |         |        |      |       |      | 2   |          |
| 50  |             | SM4040655SP |             | SCREW M4 L=6               |         |        |      |       |      | 2   |          |
| 51  |             | 13101407    |             | LOOPER COVER PRESSER PLATE |         |        |      |       |      | 1   |          |
| 52  |             | SM4040655SP |             | SCREW M4 L=6               |         |        |      |       |      | 1   |          |
| 53  |             | 40028281    |             | FEED_ADJUSTING_STOPPER     |         |        |      |       |      | 1   |          |
| 54  |             | WP0501016SD |             | WASHER 5X10.5X1            |         |        |      |       |      | 1   |          |
| 55  |             | SS4110615SP |             | SCREW 11/64-40 L=6         |         |        |      |       |      | 1   |          |
| 56  |             | 23629306    |             | PIPE STOPPER A             |         |        |      |       |      | 2   |          |
| 57  |             | 40162044    |             | PIPE STOPPER               |         |        |      |       |      | 2   |          |

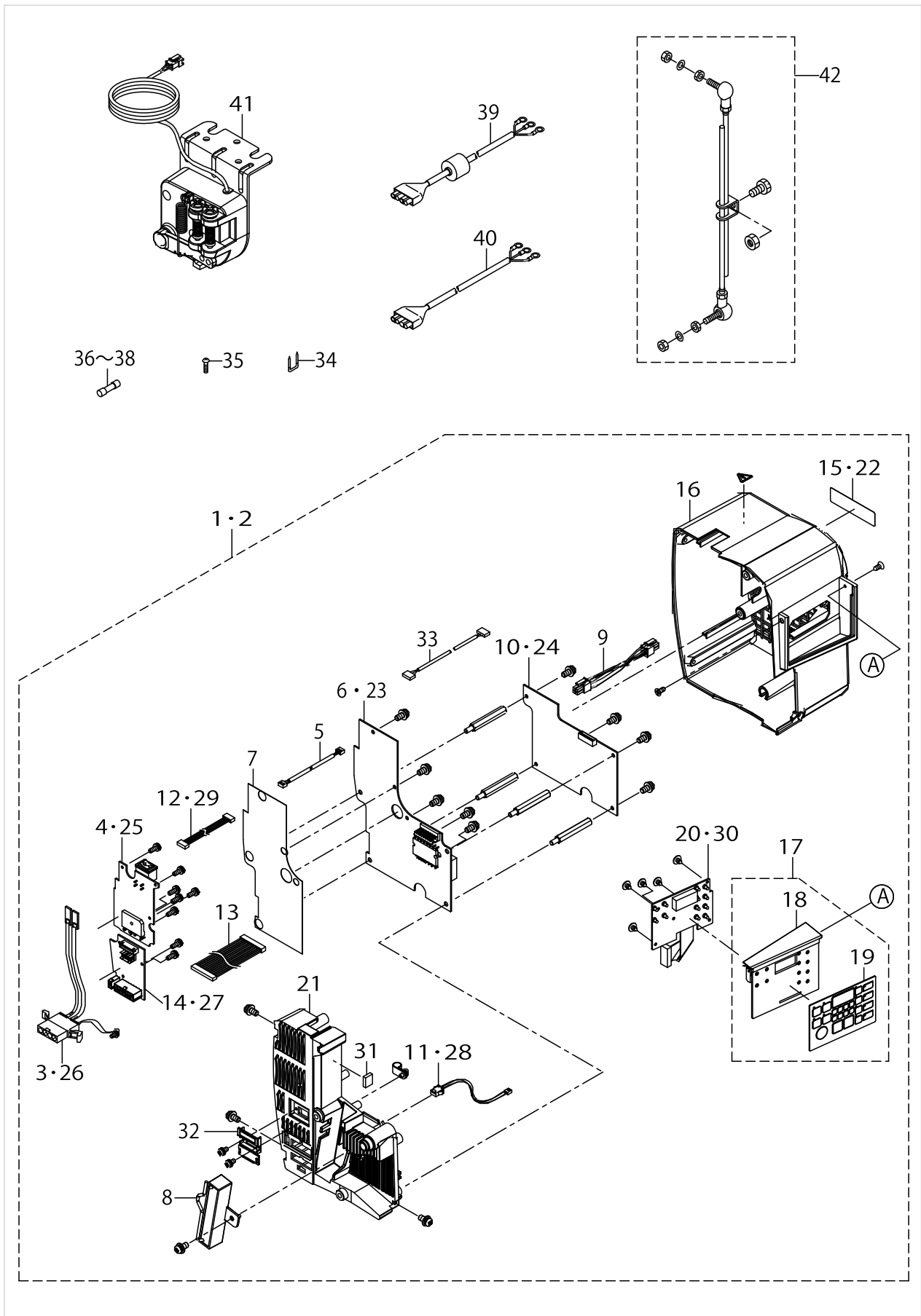
OIL RESERVOIR COMPONENTS



OIL RESERVOIR COMPONENTS

| No. | Supply Code | Parts No.   | Replacement | Parts name                    | Remarks | Choice | Step | Level | Cons | Qty | Rep. QTY |
|-----|-------------|-------------|-------------|-------------------------------|---------|--------|------|-------|------|-----|----------|
| 1   |             | 40156724    |             | UNDER COVER ASSY              |         |        |      |       |      | 1   |          |
| 2   |             | 40156727    |             | UNDER COVER                   |         |        |      | *     |      | 1   |          |
| 3   |             | B1116210D00 |             | FRAME SUPPORT RUBBER          |         |        |      | *     |      | 4   |          |
| 4   |             | 40156725    |             | KNEE LIFTER ROTATION ARM ASM. |         |        |      | *     |      | 1   |          |
| 5   | R           | 22932107    | 22932156    | KNEE LIFTER ROTATING ARM      |         |        |      | *     |      | 1   | 1.00     |
| 6   |             | SM8061612TP |             | SCREW M6X16                   |         |        |      | *     |      | 2   |          |
| 7   |             | NM6060003SC |             | NUT M6                        |         |        |      | *     |      | 2   |          |
| 8   |             | 40156726    |             | KNEE LIFTER SPRING            |         |        |      | *     |      | 1   |          |
| 9   |             | 40101541    |             | KNEE_PRESS_CROSS_SHAFT        |         |        |      | *     |      | 1   |          |
| 10  |             | 22932453    |             | BRACKET ASM.                  |         |        |      | *     |      | 1   |          |
| 11  | R           | 22932404    | 22932453    | BRACKET                       |         |        |      | *     |      | 1   | 1.00     |
| 12  |             | 22934707    |             | SCREW                         |         |        |      | *     |      | 2   |          |
| 13  |             | RE1000000K0 |             | E-RING 10                     |         |        |      | *     |      | 1   |          |
| 14  |             | SM9062563TR |             | SCREW M6 L=25                 |         |        |      | *     |      | 1   |          |
| 15  |             | NM6060001SE |             | NUT M6                        |         |        |      | *     |      | 1   |          |
| 16  |             | 22934251    |             | KNEE PAD PLATE ASM.           |         |        |      |       |      | 1   |          |
| 17  |             | 22934608    |             | KNEE PAD UPRIGHT SHAFT        |         |        |      | *     |      | 1   |          |
| 18  |             | 22934400    |             | KNEE PAD PLATE RUBBER         |         |        |      | *     |      | 1   |          |
| 19  |             | 22934202    |             | KNEE PAD PLATE                |         |        |      | *     |      | 1   |          |
| 20  |             | 22934301    |             | KNEE PAD PLATE SUPPORT        |         |        |      | *     |      | 1   |          |
| 21  |             | SM9061203SE |             | SCREW M6 L=12                 |         |        |      | *     |      | 1   |          |
| 22  |             | 22934509    |             | KNEE PAD PLATE COVER          |         |        |      | *     |      | 1   |          |
| 23  |             | HX006690000 |             | GROMMET                       |         |        |      |       |      | .03 |          |

PSC UNIT

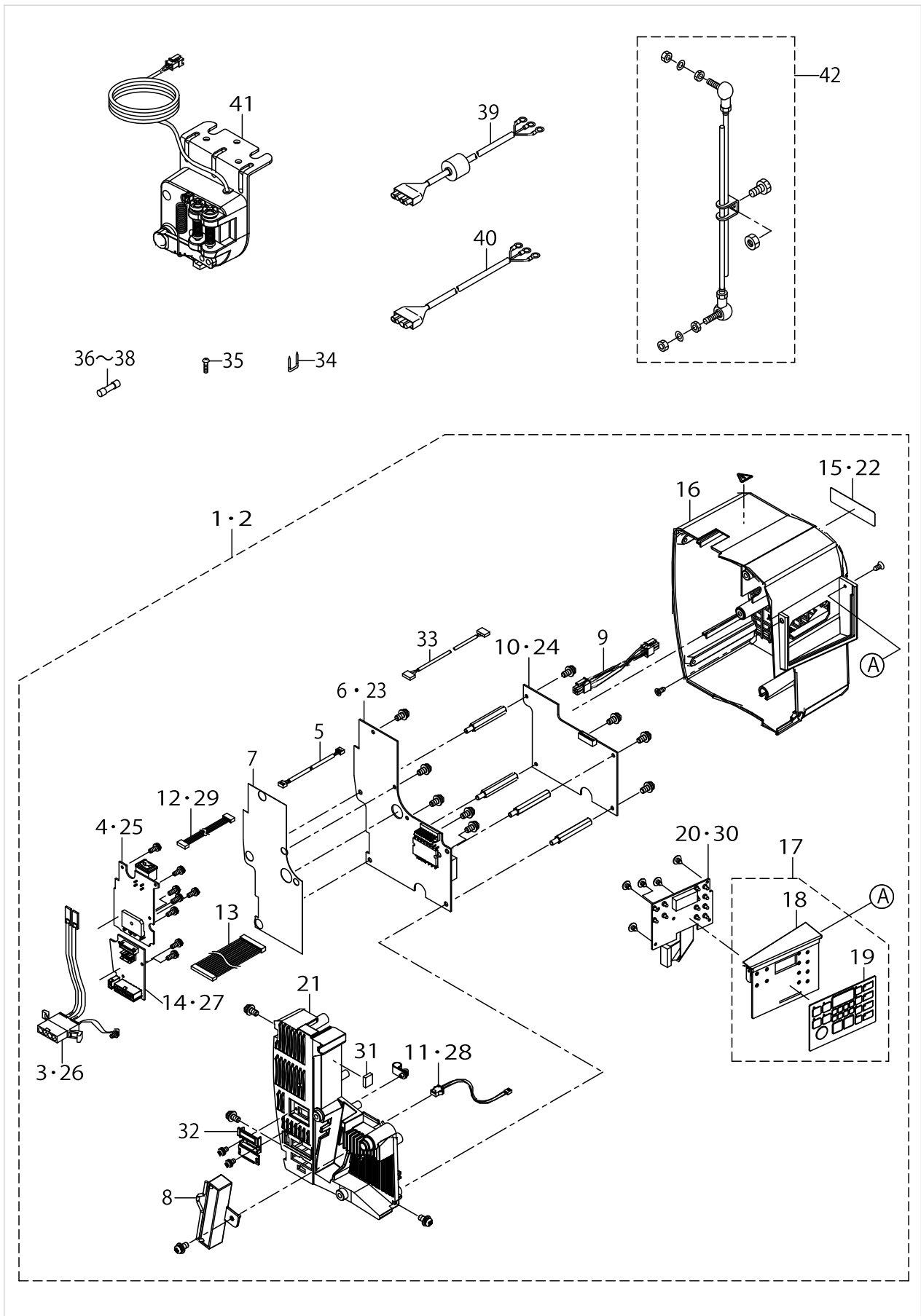


PSC UNIT

| No. | Supply Code | Parts No. | Replacement | Parts name                | Remarks                       | Choice | Step | Level | Cons | Qty | Rep. QTY |
|-----|-------------|-----------|-------------|---------------------------|-------------------------------|--------|------|-------|------|-----|----------|
| 1   |             | 40156704  |             | CONTROL BOX               | VARIOUS NOS. FOR DESTINATIONS |        |      |       |      | 1   |          |
| 2   | R           | 40156705  | 40163109    | CONTROL BOX CE            | FOR CE                        |        |      |       |      | 1   | 1.00     |
| 3   |             | 40141200  |             | ACINPUTCORDASSY           | VARIOUS NOS. FOR DESTINATIONS |        |      | *     |      | 1   |          |
| 4   |             | 40141201  |             | FLT PCB ASSY              | VARIOUS NOS. FOR DESTINATIONS |        |      | *     |      | 1   |          |
| 5   |             | 40141203  |             | INPUT CHECK CORD ASSY     |                               |        |      | *     |      | 1   |          |
| 6   | R           | 40141204  | 40148331    | PWR PCB ASSY              | VARIOUS NOS. FOR DESTINATIONS |        |      | *     |      | 1   | 1.00     |
| 7   |             | 40141205  |             | PWRPCB FILMSHEET          |                               |        |      | *     |      | 1   |          |
| 8   |             | 40141206  |             | RESISTANCE_A_ASSY         |                               |        |      | *     |      | 1   |          |
| 9   |             | 40141207  |             | DC POWER SUPPLY CORD ASSY |                               |        |      | *     |      | 1   |          |
| 10  |             | 40141208  |             | CTL PCB ASSY              | VARIOUS NOS. FOR DESTINATIONS |        |      | *     |      | 1   |          |
| 11  |             | 40141209  |             | PEDAL CORD ASSY           | VARIOUS NOS. FOR DESTINATIONS |        |      | *     |      | 1   |          |
| 12  |             | 40141210  |             | SOL POWER CORD ASSY       | VARIOUS NOS. FOR DESTINATIONS |        |      | *     |      | 1   |          |
| 13  |             | 40141211  |             | SOL SIGNAL CORD ASSY      |                               |        |      | *     |      | 1   |          |
| 14  |             | 40141212  |             | SOL PCB ASSY              | VARIOUS NOS. FOR DESTINATIONS |        |      | *     |      | 1   |          |
| 15  |             | 40156706  |             | RATING LABEL A DRAWING    | VARIOUS NOS. FOR DESTINATIONS |        |      | *     |      | 1   |          |
| 16  |             | 40141217  |             | PSC COVER                 |                               |        |      | *     |      | 1   |          |
| 17  |             | 40141214  |             | PANEL COVER ASSY          |                               |        |      | *     |      | 1   |          |
| 18  |             | 40141215  |             | PANEL COVER               |                               |        |      | *     |      | 1   |          |
| 19  |             | 40141216  |             | MEMBRANE SWITCH           |                               |        |      | *     |      | 1   |          |
| 20  |             | 40141213  |             | PNL PCB ASSY              | VARIOUS NOS. FOR DESTINATIONS |        |      | *     |      | 1   |          |
| 21  |             | 40141199  |             | FRAME                     |                               |        |      | *     |      | 1   |          |
| 22  |             | 40156707  |             | RATING LABEL C DRAWING    | FOR CE                        |        |      | *     |      | 1   |          |
| 23  | D           | 40145554  |             | PWR-CE PCB ASSY           | FOR CE                        |        |      | *     |      | 1   |          |
| 24  |             | 40145555  |             | CTL-CE PCB ASSY           | FOR CE                        |        |      | *     |      | 1   |          |
| 25  |             | 40145553  |             | FLT-CE PCB ASSY           | FOR CE                        |        |      | *     |      | 1   |          |
| 26  |             | 40149316  |             | ACINPUTCORDASSY           | FOR CE                        |        |      | *     |      | 1   |          |
| 27  |             | 40145556  |             | SOL-CE PCB ASSY           | FOR CE                        |        |      | *     |      | 1   |          |
| 28  |             | 40145557  |             | PEDALCORDCEASSY           | FOR CE                        |        |      | *     |      | 1   |          |
| 29  |             | 40145558  |             | SOL POWER CORD CE ASSY    | FOR CE                        |        |      | *     |      | 1   |          |
| 30  |             | 40145921  |             | PNL-CE PCB ASSY           | FOR CE                        |        |      | *     |      | 1   |          |
| 31  |             | 40145944  |             | EMI GASKET                | FOR CE                        |        |      | *     |      | 1   |          |
| 32  |             | 401557011 |             | CONNECTOR COVER           |                               |        |      | *     |      | 1   |          |
| 33  |             | 40145540  |             | PRT CORD ASSY             |                               |        |      | *     |      | 1   |          |
| 34  |             | 40141223  |             | CORD STAPLE               | VARIOUS NOS. FOR DESTINATIONS |        |      |       |      | 3   |          |
| 35  |             | 40141224  |             | SCREW                     |                               |        |      |       |      | 3   |          |



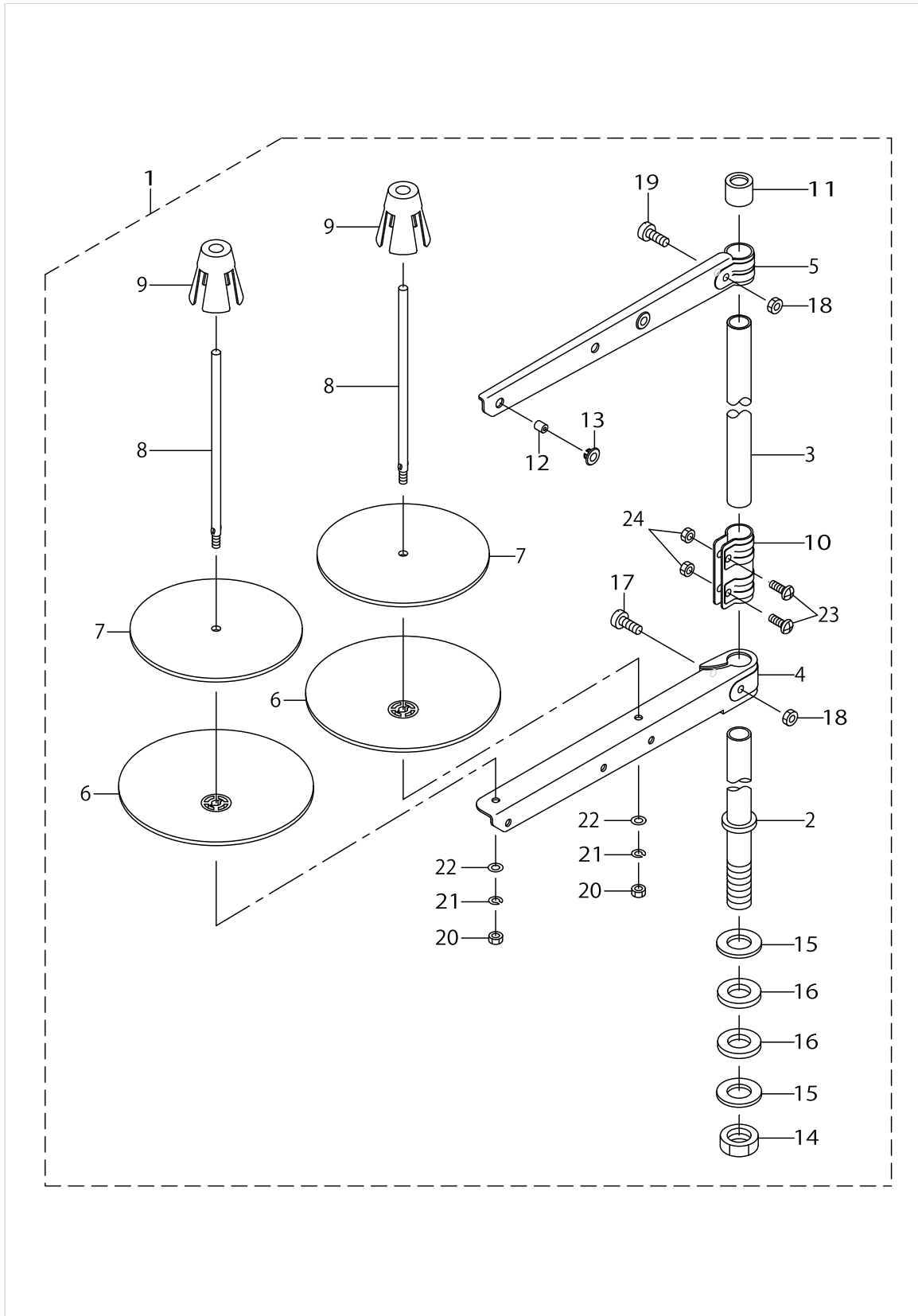
PSC UNIT



PSC UNIT

| No. | Supply Code | Parts No. | Replacement | Parts name            | Remarks                       | Choice | Step | Level | Cons | Qty | Rep. QTY |
|-----|-------------|-----------|-------------|-----------------------|-------------------------------|--------|------|-------|------|-----|----------|
| 36  |             | 40141225  |             | SLO-BLO FUSE          | VARIOUS NOS. FOR DESTINATIONS |        |      |       |      | 1   |          |
| 37  |             | 40141226  |             | SLO-BLO FUSE          | VARIOUS NOS. FOR DESTINATIONS |        |      |       |      | 1   |          |
| 38  |             | 40141227  |             | SLO-BLO FUSE          | VARIOUS NOS. FOR DESTINATIONS |        |      |       |      | 1   |          |
| 39  | R           | 40145128  | 40162159    | AC POWER CORD ASSY CE | FOR CE                        |        |      |       |      | 1   | 1.00     |
| 40  |             | 40141220  |             | AC POWER CORD ASSY    | FOR CE                        |        |      |       |      | 1   |          |
| 41  |             | 40141219  |             | PEDAL_SENSOR_A_ASSY   |                               |        |      |       |      | 1   |          |
| 42  |             | 40042134  |             | CONNECING_ROD_ASSY    |                               |        |      |       |      | 1   |          |

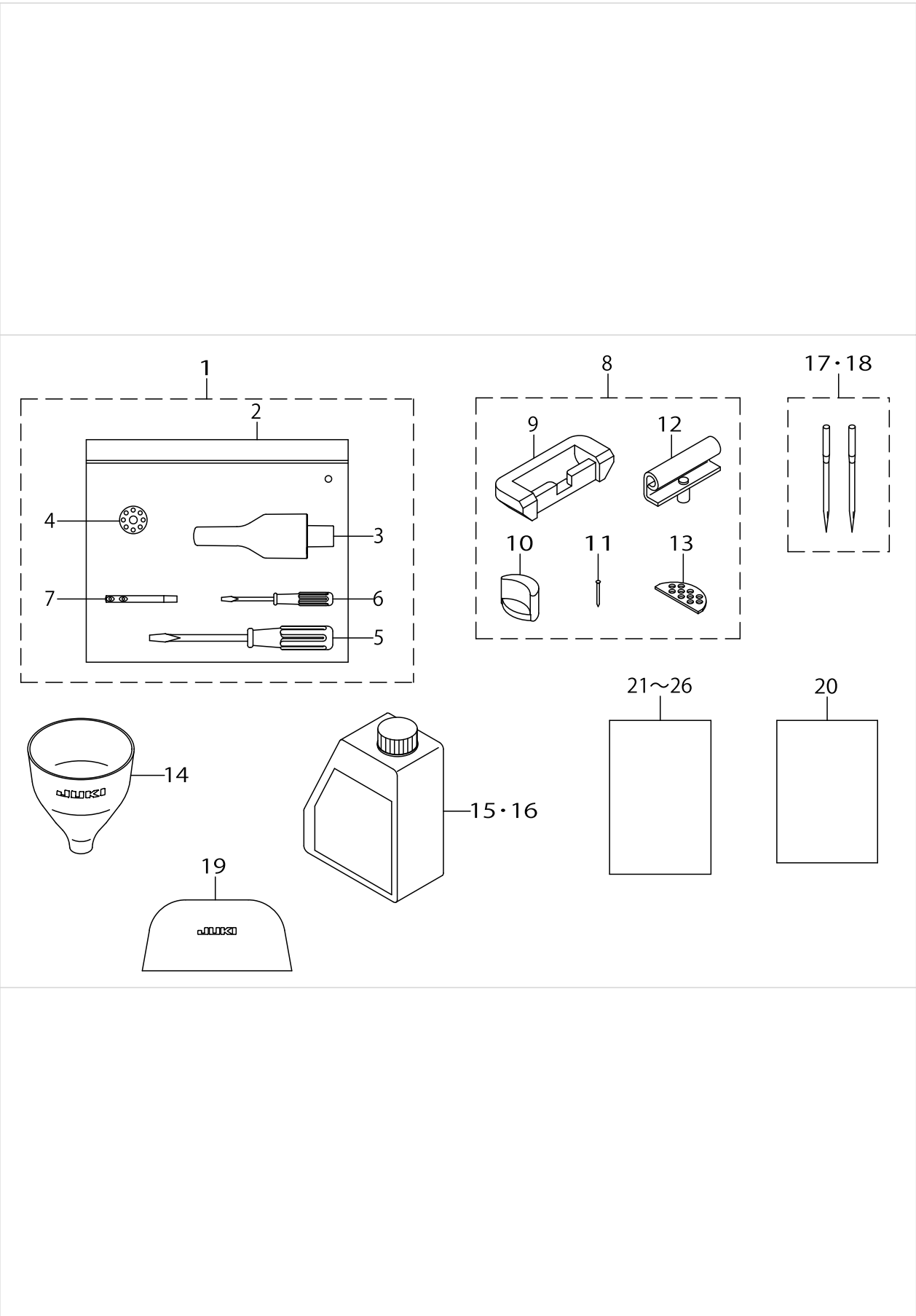
# THREAD STAND COMPONENTS



THREAD STAND COMPONENTS

| No. | Supply Code | Parts No.   | Replacement | Parts name                    | Remarks | Choice | Step | Level | Cons | Qty | Rep. QTY |
|-----|-------------|-------------|-------------|-------------------------------|---------|--------|------|-------|------|-----|----------|
| 1   |             | 40096354    |             | THREAD STAND ASM.             |         |        |      |       |      | 1   |          |
| 2   |             | 40085784    |             | SPOOL REST ROD LOWER          |         |        |      | *     |      | 1   |          |
| 3   |             | 40085785    |             | SPOOL REST ROD UPPER          |         |        |      | *     |      | 1   |          |
| 4   |             | 40085786    |             | SPOOL REST ARM LOWER          |         |        |      | *     |      | 1   |          |
| 5   |             | 40085787    |             | SPOOL REST ARM UPPER          |         |        |      | *     |      | 1   |          |
| 6   |             | 40085788    |             | SPOOL REST                    |         |        |      | *     |      | 2   |          |
| 7   |             | 40085789    |             | SPOOL REST CUSHION            |         |        |      | *     |      | 2   |          |
| 8   |             | 40085790    |             | SPOOL PIN                     |         |        |      | *     |      | 2   |          |
| 9   |             | 40085791    |             | SPOOL RETAINER                |         |        |      | *     |      | 2   |          |
| 10  |             | 40085792    |             | SPOOL REST ROD JOINT          |         |        |      | *     |      | 1   |          |
| 11  |             | 40085793    |             | SPOOL REST ROD RUBBER CAP     |         |        |      | *     |      | 1   |          |
| 12  |             | 40085794    |             | THREAD GUIDE                  |         |        |      | *     |      | 2   |          |
| 13  |             | 40085795    |             | THREAD GUIDE BUSHING          |         |        |      | *     |      | 2   |          |
| 14  |             | 40096325    |             | SPOOL REST ROD NUT            |         |        |      | *     |      | 1   |          |
| 15  |             | WP1612616SE |             | WASHER 16X30X2.6              |         |        |      | *     |      | 2   |          |
| 16  |             | 40085796    |             | SPOOL REST ROD RUBBER CUSHION |         |        |      | *     |      | 2   |          |
| 17  |             | 40096326    |             | SPOOL REST ARM LOWER SCREW    |         |        |      | *     |      | 1   |          |
| 18  |             | NM6050001SE |             | NUT M5                        |         |        |      | *     |      | 2   |          |
| 19  | R           | 40096327    | SM4053001SE | SPOOL REST ARM UPPER SCREW    |         |        |      | *     |      | 1   | 1.00     |
| 20  |             | NM6050001SE |             | NUT M5                        |         |        |      | *     |      | 2   |          |
| 21  |             | WS0510002KN |             | SPRING WASHER M5              |         |        |      | *     |      | 2   |          |
| 22  |             | WP0531001SC |             | WASHER M5                     |         |        |      | *     |      | 2   |          |
| 23  |             | SM4051405SE |             | SCREW M5 L=14                 |         |        |      | *     |      | 2   |          |
| 24  |             | NM6050001SE |             | NUT M5                        |         |        |      | *     |      | 2   |          |

ACCESSORIE PARTS COMPONENTS



ACCESSORIE PARTS COMPONENTS

| No. | Supply Code | Parts No.   | Replacement | Parts name                           | Remarks                                   | Choice | Step | Level | Cons | Qty | Rep. QTY |
|-----|-------------|-------------|-------------|--------------------------------------|---|--------|------|-------|------|-----|----------|
| 1   |             | 40156730    |             | ACCESSORY BAG ASSY                   |   |        |      |       |      | 1   |          |
| 2   |             | 22932800    |             | ACCESSORIE BAG                       |   |        |      | *     |      | 1   |          |
| 3   |             | 14101208    |             | HEAD SUPPORT BAR                     |   |        |      | *     |      | 1   |          |
| 4   |             | 22932909    |             | BOBBIN                               |   |        |      | *     | ☆    | 1   |          |
| 5   |             | 22933105    |             | SCREW DRIVER MIDDLE                  |   |        |      | *     |      | 1   |          |
| 6   |             | 22933204    |             | SCREW DRIVER SMALL                   |   |        |      | *     |      | 1   |          |
| 7   |             | 22958300    |             | NEEDLE THREAD GUIDE PIN              |   |        |      | *     |      | 1   |          |
| 8   |             | 22958052    |             | RUBBER HINGE ASM.                    |   |        |      |       |      | 1   |          |
| 9   | R           | 22926000    | 22958052    | RUBBER CUSHION                       |   |        |      | *     |      | 2   | 1.00     |
| 10  | R           | 22958003    | 11075900    | FRAME BUBBER CUSHION                 |   |        |      | *     |      | 2   | 1.00     |
| 11  | D           | 22926208    |             | NAIL                                 |   |        |      | *     |      | 8   |          |
| 12  | R           | 22926356    | 22958052    | HINGE COMPL.                         |   |        |      | *     |      | 2   | 1.00     |
| 13  | R           | 22926505    | D8226555E00 | WASHER                               |   |        |      | *     |      | 2   | 1.00     |
| 14  |             | 13160601    |             | FUNNEL                               |   |        |      |       |      | 1   |          |
| 15  |             | 40157520    |             | NEW DEFRIX OIL NO.1 450ML            | ACCORDIN-<br>G TO MAN-<br>UFACTURING BASE |        |      |       | ☆    | 1   |          |
| 16  | D R         | 40102087    | MDFRX1600C0 | JUKI CORPORATION<br>GENUINE OIL 7    | ACCORDIN-<br>G TO MAN-<br>UFACTURING BASE |        |      |       | ☆    | 1   | 1.00     |
| 17  | D           | MDB100B1402 |             | NEEDLE DBX1#14-2                     | ACCORDIN-<br>G TO MAN-<br>UFACTURING BASE |        |      |       | ☆    | 1   |          |
| 18  | R           | MC200500902 | MC200500900 | NEEDLE 134 #90-2                     | ACCORDIN-<br>G TO MAN-<br>UFACTURING BASE |        |      |       | ☆    | 1   | 1.00     |
| 19  |             | 40135803    |             | HEAD COVER                           |   |        |      |       |      | 1   |          |
| 20  |             | CM600100201 |             | WEEE INFORMATION SHEET               | ACCORDIN-<br>G TO MAN-<br>UFACTURING BASE |        |      |       |      | 1   |          |
| 21  |             | 40157451    |             | SAFETY INSTRUCTI-<br>ON MANUAL C JPN | ACCORDIN-<br>G TO MAN-<br>UFACTURING BASE |        |      |       |      | 1   |          |
| 22  |             | 40157452    |             | SAFETY INSTRUCTI-<br>ON MANUAL 5 JPN | ACCORDIN-<br>G TO MAN-<br>UFACTURING BASE |        |      |       |      | 1   |          |
| 23  |             | 40157453    |             | SAFETY INSTRUCTI-<br>ON MANUAL 7 JPN | ACCORDIN-<br>G TO MAN-<br>UFACTURING BASE |        |      |       |      | 1   |          |
| 24  |             | 40156811    |             | SAFETY INSTRUCTION MANUAL            | ACCORDIN-<br>G TO MAN-<br>UFACTURING BASE |        |      |       |      | 1   |          |
| 25  |             | 40156812    |             | SAFETY INSTRUCTION MANUAL            | ACCORDIN-<br>G TO MAN-<br>UFACTURING BASE |        |      |       |      | 1   |          |
| 26  |             | 40156813    |             | SAFETY INSTRUCTION MANUAL            | ACCORDIN-<br>G TO MAN-<br>UFACTURING BASE |        |      |       |      | 1   |          |

LIST FOR INFORMATION OF CHANGE

As to the place changed, refer to the corresponding Rev.No.  
 When previous parts (Obsolated part) and new parts (Added parts) are not interchangeable with each other:  
 In this case, even obsolated parts (D.) can be ordered with the obsolated part number, so select the parts with changed dates and place your orders.

変更箇所は、該当 Rev.No. 版をご参照ください。  
 部品の互換性がない変更の場合は、削除された品番でも、ご注文できます。  
 \*\*\*\*\*

No.1668-01・・・Rev.No.

\*A: Added parts 追加部品 / D: Obsolated parts 削除部品 / E: Erratum 訂正

| * | Rev. No. | Page No. | Ref. No. | Parts No.<br>品番 | * | Rev. No. | Page No. | Ref. No. | Parts No.<br>品番 |
|---|----------|----------|----------|-----------------|---|----------|----------|----------|-----------------|
| D | 00       | 2        | 63       | 401-40080       | A | 01       | 2        | 63       | 401-39555       |
|   |          |          |          |                 | A | 01       | 8        | 49       | 229-39607       |
|   |          |          |          |                 | A | 01       | 12       | 75       | 229-13008       |
| D | 00       | 14       | 31       | 401-56699       | A | 01       | 14       | 31       | 401-56999       |
| D | 00       | 14       | 45       | 110-40854       | A | 01       | 14       | 45       | 229-48558       |
| D | 00       | 14       | 56       | RO-0371801-00   | A | 01       | 14       | 56       | RO-0442401-00   |
| D | 00       | 15       | 15       | 229-53905       | A | 01       | 15       | 15       | 401-56723       |
| D | 00       | 15       | 25       | RO-0371801-00   | A | 01       | 15       | 25       | RO-0442401-00   |
|   |          |          |          |                 | A | 01       | 18       | 56       | 236-29306       |
|   |          |          |          |                 | A | 01       | 18       | 57       | 401-62044       |
| D | 00       | 25       | 27       | 401-57530       |   |          |          |          |                 |
|   |          |          |          |                 |   |          |          |          |                 |
|   |          |          |          |                 |   |          |          |          |                 |
|   |          |          |          |                 |   |          |          |          |                 |
|   |          |          |          |                 |   |          |          |          |                 |
|   |          |          |          |                 |   |          |          |          |                 |
|   |          |          |          |                 |   |          |          |          |                 |
|   |          |          |          |                 |   |          |          |          |                 |
|   |          |          |          |                 |   |          |          |          |                 |
|   |          |          |          |                 |   |          |          |          |                 |
|   |          |          |          |                 |   |          |          |          |                 |
|   |          |          |          |                 |   |          |          |          |                 |
|   |          |          |          |                 |   |          |          |          |                 |
|   |          |          |          |                 |   |          |          |          |                 |
|   |          |          |          |                 |   |          |          |          |                 |
|   |          |          |          |                 |   |          |          |          |                 |
|   |          |          |          |                 |   |          |          |          |                 |
|   |          |          |          |                 |   |          |          |          |                 |
|   |          |          |          |                 |   |          |          |          |                 |
|   |          |          |          |                 |   |          |          |          |                 |
|   |          |          |          |                 |   |          |          |          |                 |
|   |          |          |          |                 |   |          |          |          |                 |
|   |          |          |          |                 |   |          |          |          |                 |
|   |          |          |          |                 |   |          |          |          |                 |
|   |          |          |          |                 |   |          |          |          |                 |
|   |          |          |          |                 |   |          |          |          |                 |
|   |          |          |          |                 |   |          |          |          |                 |
|   |          |          |          |                 |   |          |          |          |                 |
|   |          |          |          |                 |   |          |          |          |                 |
|   |          |          |          |                 |   |          |          |          |                 |
|   |          |          |          |                 |   |          |          |          |                 |
|   |          |          |          |                 |   |          |          |          |                 |
|   |          |          |          |                 |   |          |          |          |                 |
|   |          |          |          |                 |   |          |          |          |                 |
|   |          |          |          |                 |   |          |          |          |                 |
|   |          |          |          |                 |   |          |          |          |                 |

# NUMERICAL INDEX OF PARTS

| PART NO  | PAGE | REF NO. | PART NO  | PAGE | REF NO. | PART NO  | PAGE | REF NO. |
|----------|------|---------|----------|------|---------|----------|------|---------|
| 11002904 | 8    | 3       | 22907208 | 16   | 34      | 22918064 | 8    | 5       |
| 11009800 | 20   | 23      | 22907307 | 16   | 36      | 22918072 | 8    | 4       |
| 11010311 | 20   | 17      | 22907406 | 16   | 33      | 22918106 | 8    | 7       |
| 11015906 | 12   | 37      | 22907505 | 16   | 32      | 22918304 | 8    | 6       |
| 11037405 | 20   | 22      | 22907554 | 16   | 30      | 22918403 | 8    | 9~12    |
| 11038650 | 12   | 34      | 22907604 | 16   | 31      | 22918502 | 8    | 9~12    |
| 11038759 | 12   | 24      | 22907703 | 18   | 45      | 22918601 | 8    | 9~12    |
| 11039203 | 34   | 46      | 22907802 | 16   | 1       | 22918700 | 8    | 9~12    |
| 11040052 | 24   | 5       | 22908008 | 16   | 42      | 22919203 | 8    | 29      |
| 11040409 | 24   | 4       | 22908008 | 18   | 42      | 22919203 | 24   | 37      |
| 11040953 | 24   | 44      | 22908156 | 16   | 40      | 22919559 | 8    | 2       |
| 11079506 | 14   | 48      | 22908305 | 18   | 44      | 22920102 | 16   | 29      |
| 11101300 | 28   | 11      | 22908354 | 16   | 39      | 22920201 | 16   | 23      |
| 11415205 | 2    | 20      | 22908552 | 16   | 4       | 22920300 | 16   | 26      |
| 13101407 | 34   | 51      | 22908701 | 16   | 7       | 22920409 | 16   | 24      |
| 13160601 | 44   | 14      | 22908800 | 16   | 14      | 22920508 | 2    | 30      |
| 13170105 | 32   | 32      | 22908909 | 16   | 11      | 22920607 | 4    | 47      |
| 13171004 | 32   | 33      | 22909006 | 16   | 13      | 22920904 | 4    | 43      |
| 14101208 | 44   | 3       | 22910004 | 8    | 18      | 22921001 | 2    | 31      |
| 22538706 | 6    | 33      | 22910053 | 8    | 16      | 22921209 | 2    | 38      |
| 22538805 | 8    | 30      | 22910103 | 8    | 13      | 22921308 | 2    | 33      |
| 22890206 | 12   | 42~44   | 22910202 | 20   | 15·16   | 22921407 | 2    | 34      |
| 22890305 | 12   | 42~44   | 22910251 | 20   | 11·12   | 22921506 | 2    | 37      |
| 22890404 | 12   | 42~44   | 22910806 | 20   | 28      | 22921506 | 6    | 28      |
| 22896252 | 12   | 46      | 22910905 | 20   | 24      | 22921605 | 2    | 39      |
| 22900401 | 2    | 10      | 22911002 | 20   | 40      | 22921704 | 2    | 35      |
| 22900609 | 2    | 28      | 22911101 | 20   | 13      | 22921803 | 2    | 36      |
| 22901003 | 4    | 55      | 22911507 | 20   | 2       | 22923015 | 32   | 14      |
| 22901201 | 4    | 52      | 22911606 | 20   | 4       | 22923056 | 32   | 12      |
| 22901250 | 4    | 51      | 22911804 | 20   | 7       | 22923205 | 32   | 17      |
| 22901300 | 4    | 53      | 22912000 | 20   | 9       | 22923312 | 32   | 13      |
| 22901805 | 2    | 14      | 22912109 | 20   | 8       | 22923403 | 32   | 19      |
| 22903207 | 8    | 25      | 22912257 | 20   | 19      | 22923502 | 32   | 21      |
| 22903306 | 8    | 27      | 22912505 | 20   | 20      | 22923601 | 32   | 20      |
| 22903900 | 8    | 14      | 22912802 | 22   | 69      | 22923700 | 32   | 15      |
| 22904155 | 8    | 23      | 22913008 | 22   | 75      | 22923809 | 32   | 18      |
| 22904155 | 22   | 62      | 22913701 | 20   | 38      | 22923908 | 32   | 22      |
| 22905004 | 12   | 23      | 22913800 | 20   | 15·16   | 22924153 | 32   | 6       |
| 22905103 | 12   | 25      | 22913859 | 20   | 11·12   | 22924302 | 32   | 7       |
| 22905202 | 12   | 26      | 22915003 | 22   | 73      | 22924401 | 32   | 3       |
| 22906101 | 12   | 2       | 22915359 | 22   | 58      | 22924609 | 32   | 28      |
| 22906200 | 12   | 8       | 22916308 | 12   | 27      | 22924708 | 32   | 1       |
| 22906309 | 12   | 10      | 22916506 | 12   | 38      | 22925101 | 32   | 5       |
| 22906457 | 12   | 4       | 22916555 | 12   | 36      | 22926000 | 44   | 9       |
| 22906606 | 8    | 8       | 22917157 | 12   | 29      | 22926208 | 44   | 11      |



## NUMERICAL INDEX OF PARTS

| PART NO  | PAGE | REF NO. | PART NO  | PAGE | REF NO. | PART NO  | PAGE | REF NO. |
|----------|------|---------|----------|------|---------|----------|------|---------|
| 22926356 | 44   | 12      | 22948301 | 24   | 36      | 26260406 | 6    | 5       |
| 22926505 | 44   | 13      | 22948400 | 26   | 49      | 26260505 | 6    | 6       |
| 22932107 | 36   | 5       | 22948558 | 26   | 45      | 26260604 | 6    | 7       |
| 22932404 | 36   | 11      | 22949002 | 24   | 43      | 26260802 | 6    | 8       |
| 22932453 | 36   | 10      | 22949101 | 24   | 40      | 26261008 | 6    | 9       |
| 22932800 | 44   | 2       | 22949200 | 24   | 41      | 26261206 | 6    | 10      |
| 22932909 | 12   | 18      | 22949309 | 24   | 38      | 26261305 | 6    | 11      |
| 22932909 | 44   | 4       | 22949408 | 24   | 29      | 26261503 | 6    | 12      |
| 22933105 | 44   | 5       | 22949754 | 24   | 24      | 26261602 | 6    | 13      |
| 22933204 | 44   | 6       | 22949903 | 26   | 62      | 26261701 | 6    | 14      |
| 22934202 | 36   | 19      | 22950000 | 24   | 26      | 40011144 | 6    | 15      |
| 22934251 | 36   | 16      | 22950208 | 24   | 14      | 40012126 | 2    | 2       |
| 22934301 | 36   | 20      | 22950257 | 24   | 13      | 40012129 | 2    | 11      |
| 22934400 | 36   | 18      | 22950356 | 24   | 15      | 40017805 | 16   | 35      |
| 22934509 | 36   | 22      | 22950703 | 24   | 25      | 40021933 | 6    | 17      |
| 22934608 | 36   | 17      | 22950851 | 24   | 19      | 40024644 | 32   | 35      |
| 22934707 | 36   | 12      | 22950950 | 24   | 21      | 40028281 | 34   | 53      |
| 22935407 | 4    | 57      | 22951008 | 26   | 60      | 40037008 | 6    | 32      |
| 22939508 | 12   | 3-49    | 22951404 | 26   | 54      | 40037500 | 30   | 29      |
| 22939607 | 14   | 3-49    | 22952501 | 2    | 18      | 40037502 | 32   | 9       |
| 22940506 | 20   | 10      | 22953400 | 28   | 18      | 40041419 | 30   | 10      |
| 22940654 | 22   | 55      | 22953509 | 28   | 20      | 40042134 | 40   | 42      |
| 22940753 | 20   | 35      | 22953657 | 28   | 13      | 40060989 | 16   | 5       |
| 22940951 | 20   | 27      | 22954002 | 28   | 23      | 40077851 | 30   | 26      |
| 22941108 | 20   | 1       | 22955504 | 30   | 12      | 40077852 | 30   | 16      |
| 22941306 | 20   | 36      | 22955900 | 30   | 4       | 40085784 | 42   | 2       |
| 22942502 | 12   | 32      | 22956007 | 30   | 5       | 40085785 | 42   | 3       |
| 22944508 | 16   | 18      | 22956106 | 30   | 6       | 40085786 | 42   | 4       |
| 22944508 | 34   | 49      | 22956205 | 30   | 7       | 40085787 | 42   | 5       |
| 22944607 | 16   | 20      | 22956304 | 30   | 8       | 40085788 | 42   | 6       |
| 22944706 | 16   | 10      | 22956403 | 30   | 9       | 40085789 | 42   | 7       |
| 22944854 | 16   | 28      | 22956809 | 30   | 11      | 40085790 | 42   | 8       |
| 22945109 | 16   | 25      | 22956908 | 30   | 13      | 40085791 | 42   | 9       |
| 22945307 | 2    | 40      | 22957203 | 30   | 25      | 40085792 | 42   | 10      |
| 22945356 | 2    | 32      | 22958003 | 44   | 10      | 40085793 | 42   | 11      |
| 22945414 | 2    | 22      | 22958052 | 44   | 8       | 40085794 | 42   | 12      |
| 22945463 | 2    | 21      | 22958300 | 2    | 7       | 40085795 | 42   | 13      |
| 22945505 | 2    | 25      | 22958300 | 44   | 7       | 40085796 | 42   | 16      |
| 22945604 | 2    | 23      | 23629306 | 34   | 56      | 40086678 | 30   | 15      |
| 22945703 | 2    | 26      | 23630007 | 32   | 43      | 40086679 | 30   | 28      |
| 22945703 | 6    | 30      | 23630007 | 34   | 43      | 40086740 | 22   | 66      |
| 22945802 | 2    | 24      | 23632102 | 28   | 6       | 40087245 | 24   | 30      |
| 22947105 | 32   | 26      | 26260109 | 6    | 2       | 40089548 | 20   | 25      |
| 22947808 | 24   | 7       | 26260208 | 6    | 3       | 40090002 | 12   | 14      |
| 22948202 | 24   | 3       | 26260307 | 6    | 4       | 40090003 | 12   | 16      |

# NUMERICAL INDEX OF PARTS

| PART NO  | PAGE | REF NO. | PART NO  | PAGE | REF NO. | PART NO   | PAGE | REF NO. |
|----------|------|---------|----------|------|---------|-----------|------|---------|
| 40090004 | 12   | 19      | 40140306 | 28   | 4       | 40149316  | 38   | 3·26    |
| 40090005 | 12   | 21      | 40140416 | 4    | 67      | 401557011 | 38   | 32      |
| 40090058 | 12   | 6       | 40140419 | 8    | 37      | 40156677  | 2    | 4       |
| 40093417 | 20   | 26      | 40140991 | 30   | 14      | 40156681  | 10   | 46      |
| 40096325 | 42   | 14      | 40140992 | 30   | 1       | 40156684  | 20   | 39      |
| 40096326 | 42   | 17      | 40140994 | 30   | 2       | 40156685  | 22   | 51      |
| 40096327 | 42   | 19      | 40141199 | 38   | 21      | 40156686  | 22   | 48      |
| 40096354 | 42   | 1       | 40141200 | 38   | 3·26    | 40156687  | 12   | 31      |
| 40099083 | 4    | 58      | 40141201 | 38   | 4·25    | 40156690  | 34   | 48      |
| 40100812 | 22   | 68      | 40141203 | 38   | 5       | 40156691  | 32   | 29      |
| 40101541 | 36   | 9       | 40141204 | 38   | 6·23    | 40156692  | 32   | 30      |
| 40102087 | 44   | 15·16   | 40141205 | 38   | 7       | 40156693  | 32   | 37      |
| 40102097 | 2    | 1       | 40141206 | 38   | 8       | 40156694  | 34   | 44      |
| 40102261 | 2    | 13      | 40141207 | 38   | 9       | 40156695  | 34   | 45      |
| 40102264 | 22   | 60      | 40141208 | 38   | 10·24   | 40156696  | 32   | 11      |
| 40109422 | 22   | 45      | 40141209 | 38   | 11·28   | 40156698  | 12   | 40      |
| 40110376 | 8    | 45      | 40141210 | 38   | 12·29   | 40156699  | 24   | 32      |
| 40110379 | 20   | 43      | 40141211 | 38   | 13      | 40156700  | 26   | 51      |
| 40110390 | 8    | 40      | 40141212 | 38   | 14·27   | 40156701  | 26   | 55      |
| 40110731 | 6    | 25      | 40141213 | 38   | 20·30   | 40156704  | 38   | 1·2     |
| 40110734 | 6    | 26      | 40141214 | 38   | 17      | 40156705  | 38   | 1·2     |
| 40110975 | 6    | 16      | 40141215 | 38   | 18      | 40156706  | 38   | 15·22   |
| 40110976 | 6    | 1       | 40141216 | 38   | 19      | 40156707  | 38   | 15·22   |
| 40110977 | 8    | 15      | 40141217 | 38   | 16      | 40156721  | 24   | 33      |
| 40110978 | 8    | 20      | 40141219 | 40   | 41      | 40156722  | 28   | 22      |
| 40110979 | 8    | 28      | 40141220 | 40   | 40      | 40156723  | 28   | 15      |
| 40110999 | 30   | 3       | 40141223 | 38   | 34      | 40156724  | 36   | 1       |
| 40111025 | 8    | 36      | 40141224 | 38   | 35      | 40156725  | 36   | 4       |
| 40111424 | 8    | 32      | 40141225 | 40   | 36~38   | 40156726  | 36   | 8       |
| 40111872 | 8    | 34      | 40141226 | 40   | 36~38   | 40156727  | 36   | 2       |
| 40111896 | 4    | 61      | 40141227 | 40   | 36~38   | 40156728  | 24   | 23      |
| 40111897 | 22   | 52      | 40141523 | 12   | 7       | 40156730  | 44   | 1       |
| 40112907 | 26   | 59      | 40145128 | 40   | 39      | 40156758  | 22   | 64·72   |
| 40113241 | 6    | 34      | 40145540 | 38   | 33      | 40156811  | 44   | 21~26   |
| 40119475 | 6    | 24      | 40145553 | 38   | 4·25    | 40156812  | 44   | 21~26   |
| 40125485 | 20   | 31      | 40145554 | 38   | 6·23    | 40156813  | 44   | 21~26   |
| 40126308 | 4    | 60      | 40145555 | 38   | 10·24   | 40156815  | 12   | 35      |
| 40130579 | 24   | 1       | 40145556 | 38   | 14·27   | 40156893  | 4    | 64      |
| 40130580 | 24   | 6       | 40145557 | 38   | 11·28   | 40156894  | 4    | 66      |
| 40135803 | 44   | 19      | 40145558 | 38   | 12·29   | 40156999  | 24   | 31      |
| 40136258 | 34   | 47      | 40145921 | 38   | 20·30   | 40157335  | 4    | 65      |
| 40139216 | 8    | 21      | 40145927 | 12   | 12      | 40157336  | 24   | 35      |
| 40139555 | 4    | 63      | 40145944 | 38   | 31      | 40157451  | 44   | 21~26   |
| 40139771 | 28   | 2       | 40148382 | 28   | 1       | 40157452  | 44   | 21~26   |
| 40140191 | 28   | 3       | 40149069 | 28   | 5       | 40157453  | 44   | 21~26   |

NUMERICAL INDEX OF PARTS

| PART NO     | PAGE | REF NO. | PART NO     | PAGE | REF NO. | PART NO     | PAGE | REF NO. |
|-------------|------|---------|-------------|------|---------|-------------|------|---------|
| 40157520    | 44   | 15-16   | RE0500000K0 | 20   | 21      | SM9061203SE | 36   | 21      |
| 40158189    | 22   | 71      | RE0500000K0 | 26   | 63      | SM9062563TR | 36   | 14      |
| 40162044    | 34   | 57      | RE0500000K0 | 30   | 20      | SQ2050453MZ | 32   | 40      |
| B1109552000 | 4    | 44      | RE0500000KP | 28   | 24      | SQ2060451MZ | 32   | 41      |
| B1116210D00 | 36   | 3       | RE0600000K0 | 24   | 34      | SS2060210SP | 24   | 8       |
| B1215552000 | 8    | 26      | RE0900000K0 | 28   | 12      | SS2110915SP | 4    | 46      |
| B1521555000 | 16   | 2       | RE1000000K0 | 36   | 13      | SS2110920TP | 4    | 45      |
| B15240120BA | 16   | 9       | RE1200000K0 | 28   | 16      | SS4080620TP | 20   | 34      |
| B1613012I00 | 20   | 33      | RO029180100 | 8    | 35      | SS4080620TP | 24   | 9       |
| B8228125000 | 32   | 34      | RO036080200 | 14   | 47      | SS4090615SP | 8    | 19      |
| B9117552A00 | 12   | 45      | RO037180100 | 16   | 3       | SS4110515SP | 16   | 16      |
| CM300200001 | 2    | 12      | RO037180100 | 32   | 10      | SS4110515SP | 20   | 37      |
| CM600100201 | 44   | 20      | RO044240100 | 8    | 43      | SS4110615SP | 30   | 27      |
| CQ202000000 | 18   | 46      | RO044240100 | 26   | 56      | SS4110615SP | 34   | 55      |
| CQ220000000 | 12   | 28      | RO044240100 | 28   | 25      | SS4110715SP | 24   | 28      |
| D2406555D0H | 24   | 10      | RO069180100 | 12   | 13      | SS4110915TP | 12   | 33      |
| D7133555B00 | 6    | 29      | RO078190100 | 22   | 70      | SS4120615SP | 2    | 62      |
| HK034610140 | 28   | 9       | RO092270200 | 22   | 74      | SS4120615SP | 4    | 62      |
| HK03464000B | 28   | 8       | RO133170100 | 22   | 67      | SS4120615SP | 16   | 27      |
| HX00065000A | 28   | 26      | RO195240100 | 32   | 2       | SS4120615SP | 28   | 10      |
| HX006690000 | 36   | 23      | SD0460703TP | 24   | 2       | SS4120615SP | 32   | 4       |
| MC200500902 | 44   | 17-18   | SD0600361SP | 26   | 58      | SS4120925SP | 2    | 50      |
| MDB100B1400 | 12   | 11      | SD0630275SP | 24   | 18      | SS4120925SP | 4    | 50      |
| MDB100B1402 | 44   | 17-18   | SD0640631TP | 24   | 11      | SS4120925SP | 12   | 39      |
| NM6040001SE | 26   | 52      | SD0641451SP | 24   | 17      | SS4120925SP | 30   | 30      |
| NM6050001SE | 42   | 24      | SD0650321TP | 30   | 21      | SS4150915SP | 16   | 17      |
| NM6060001SE | 36   | 15      | SD0720331SP | 16   | 12      | SS4150915SP | 26   | 50      |
| NM6060003SC | 36   | 7       | SD1000801SH | 22   | 47      | SS4150915SP | 32   | 24      |
| NS6090310SP | 30   | 17      | SE4301041SR | 32   | 16      | SS4151215SP | 26   | 57      |
| NS6110310SP | 30   | 18      | SL4030631SC | 30   | 23      | SS4151215SP | 28   | 21      |
| NS6120630SP | 6    | 27      | SL4030641SE | 30   | 22      | SS6060210SP | 4    | 54      |
| NS6150430SP | 26   | 47      | SL4030851SF | 32   | 23      | SS6080410SP | 2    | 3       |
| NS6620310SP | 16   | 21      | SL6051092TN | 12   | 41      | SS6090510TP | 24   | 16      |
| NS6680410SP | 20   | 42      | SL6051492TN | 8    | 39      | SS6090540SP | 30   | 24      |
| RC0150001KP | 20   | 54      | SL6052592TN | 8    | 38      | SS6090620TP | 20   | 41      |
| RC0150001KP | 22   | 54      | SM0050801SC | 6    | 35      | SS6090670TP | 12   | 5       |
| RC0560711KP | 6    | 18      | SM4040655SP | 34   | 52      | SS6090670TP | 20   | 3       |
| RC1850001KP | 8    | 22      | SM4051405SE | 42   | 23      | SS6090910SP | 16   | 38      |
| RE0250000K0 | 30   | 19      | SM5040655SN | 6    | 20      | SS6110420TP | 12   | 30      |
| RE0400000K0 | 6    | 19      | SM6051402TP | 32   | 39      | SS6110610TP | 4    | 48      |
| RE0400000K0 | 24   | 39      | SM8040802TP | 6    | 21      | SS6110710TP | 26   | 61      |
| RE0400000K0 | 28   | 19      | SM8050502TP | 6    | 22      | SS6111010TP | 32   | 25      |
| RE0400000KP | 28   | 14      | SM80608A2TP | 8    | 33      | SS6121610SP | 20   | 44      |
| RE0500000K0 | 16   | 43      | SM8061010TP | 22   | 61      | SS6121840SP | 2    | 17      |
| RE0500000K0 | 18   | 43      | SM8061612TP | 36   | 6       | SS6121860SP | 20   | 5       |

NUMERICAL INDEX OF PARTS

| PART NO     | PAGE | REF NO. | PART NO     | PAGE | REF NO. |
|-------------|------|---------|-------------|------|---------|
| SS6151220SP | 20   | 29      | WS0651310KP | 32   | 27      |
| SS6660610TP | 24   | 20      | WT0530002KS | 4    | 56      |
| SS6661110SP | 8    | 17      |             |      |         |
| SS7080510TP | 12   | 9       |             |      |         |
| SS7090610SP | 24   | 42      |             |      |         |
| SS7091110TP | 16   | 6       |             |      |         |
| SS7110720SP | 4    | 59      |             |      |         |
| SS7110740TP | 22   | 53      |             |      |         |
| SS7110740TP | 28   | 7       |             |      |         |
| SS7111120SP | 22   | 59      |             |      |         |
| SS7120770SH | 20   | 6       |             |      |         |
| SS7121410TP | 22   | 56      |             |      |         |
| SS7121610SP | 22   | 46      |             |      |         |
| SS7681650TP | 8    | 44      |             |      |         |
| SS8090670SP | 2    | 41      |             |      |         |
| SS8110520TP | 24   | 22      |             |      |         |
| SS8150710TP | 4    | 42      |             |      |         |
| SS8151150TP | 8    | 1       |             |      |         |
| SS8660610TP | 8    | 42      |             |      |         |
| SS8660610TP | 22   | 63      |             |      |         |
| SS8660810TP | 12   | 22      |             |      |         |
| SS8660810TP | 16   | 37      |             |      |         |
| SS8681650TP | 8    | 41      |             |      |         |
| ST4040821SS | 32   | 36      |             |      |         |
| TA0850604R0 | 2    | 5       |             |      |         |
| TA0850604R0 | 12   | 1       |             |      |         |
| TA0950806R0 | 22   | 65      |             |      |         |
| TA1250406R0 | 4    | 49      |             |      |         |
| TA1250705R0 | 2    | 6       |             |      |         |
| TA2000502R0 | 2    | 16      |             |      |         |
| TA2000502R0 | 22   | 64-72   |             |      |         |
| TA2100904R0 | 2    | 9       |             |      |         |
| TA2101002R0 | 2    | 19      |             |      |         |
| WP0450826SC | 6    | 23      |             |      |         |
| WP0480856SP | 22   | 57      |             |      |         |
| WP0482086SD | 30   | 31      |             |      |         |
| WP0501016SD | 32   | 54      |             |      |         |
| WP0501016SD | 34   | 54      |             |      |         |
| WP0531001SC | 42   | 22      |             |      |         |
| WP0621016SH | 26   | 46      |             |      |         |
| WP1602616SZ | 28   | 17      |             |      |         |
| WP1612616SE | 42   | 15      |             |      |         |
| WS0410002KR | 26   | 53      |             |      |         |
| WS0451040KP | 32   | 8       |             |      |         |
| WS0510002KN | 42   | 21      |             |      |         |