

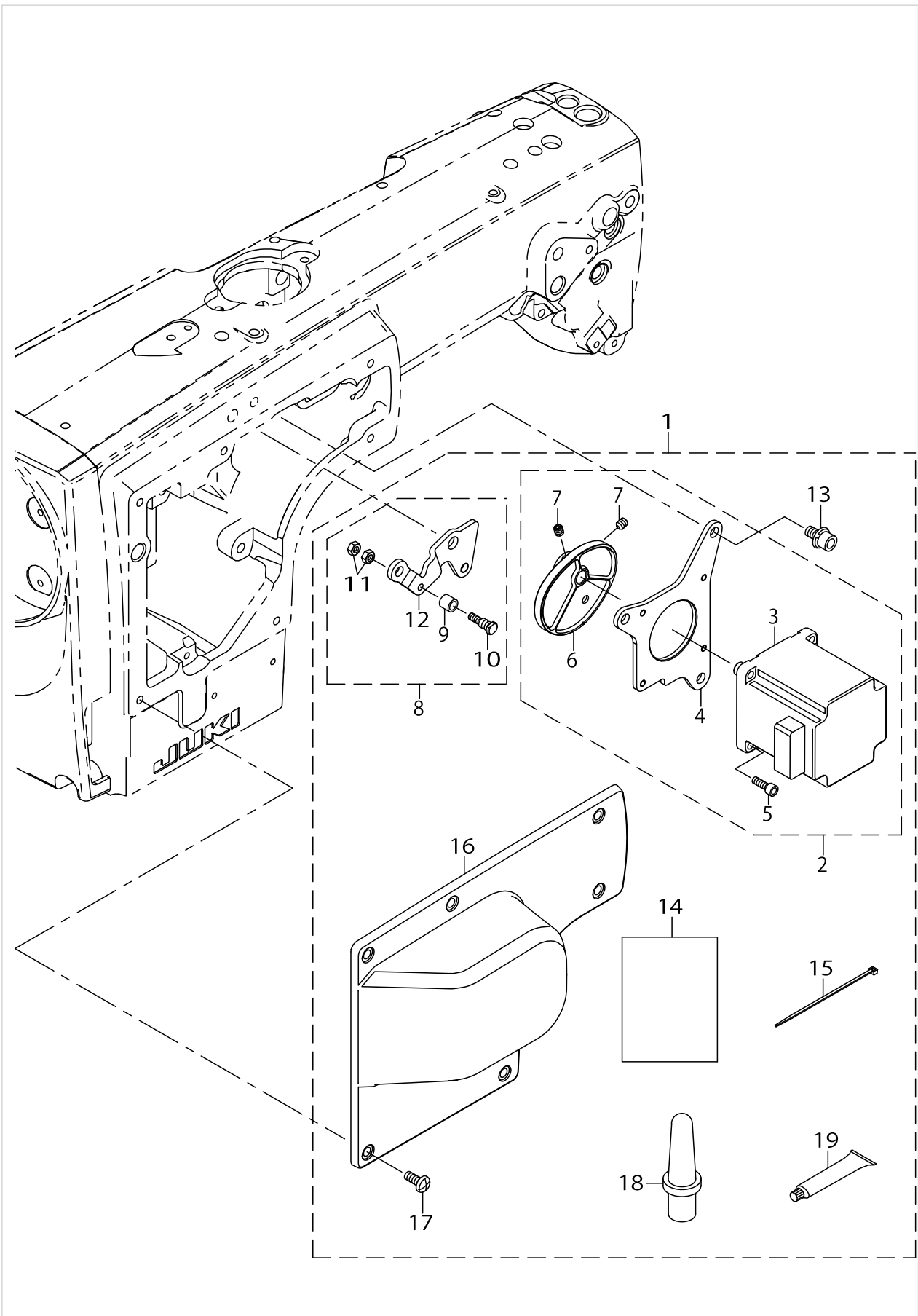
MODEL : AK154
List No : 1692-00

PARTS LIST

Published:05/12/2017

CONTENTS

AK-154	1
HOW TO MAKE USE OF THIS PARTS LIST	3



AK-154

No.	Supply Code	Parts No.	Replacement	Parts name	Remarks	Choice	Step	Level	Cons	Qty	Rep. QTY
2		40174614		AK_MOTOR_ASSY				*		1	
3		40168923		PRESSER MOTOR				*		1	
4		40172466		MOTOR_BASE				*		1	
5		SM6041202TP		SCREW M4X0.7 L=12				*		4	
6		40174375		CAM				*		1	
7		SM80508A2TP		SCREW M5 L=8				*		2	
8		40174615		AK_LEVER_ASSY				*		1	
9		40004254		UTT_CAM_ROLLER				*		1	
10		40040256		CAM_ROLLER_SHAFT				*		1	
11		NM6040001SP		NUT M4X0.7				*		2	
12		40172401		AK_LEVER				*		1	
13		SL6061292TN		SCREW M6 L=12				*		3	
14		40174382		AK154 INSTRUCTION MANUAL/PARTS LIST				*		1	
15		EA9500B0100		CABLE BAND	PLEASE R- EFER WHEN YOU USE.			*		2	
16		40089270		SIDE_PLATE_AK				*		1	
17		SM4051255SP		SCREW M5 L=12				*		6	
18		40024081		HEAD SUPPORT ROD	PLEASE R- EFER WHEN YOU USE.			*		1	
19		40006323		JUKI GREASE A TUBE	PLEASE R- EFER WHEN YOU USE.			*		1	

HOW TO MAKE USE OF THIS PARTS LIST

- 1.As to "#01" and "#02" refer to the "Note" given at the bottom of the respective pages.
- 2.Codes on the "Qty" column
 - Each numeral indicates the number of parts required.
 - "0.1" and "2.5" indicate the length (in meters) of the respective parts.
- 3.Parentheses mean that the corresponding part is a subpart that constructs an assembly part.
- 4.Dotted lines on the Figures indicate assembly parts.

1. リストページの# 0 1、# 0 2の印は、ページ下の"注記"の説明を参照下さい。
2. 数量欄の数字は、個数を表し、0. 1、2. 5等の数値は、長さ（単位メートル）を表します。
3. 数量欄の（ ）は、組部品を構成している子部品であることを意味します。
4. イラストページの-----枠は、組構成であることを意味します。

"*1: Since the AK-154 device which is purchased in the factory-shipped state has already been appropriately adjusted, the parts marked with "*1" are not shipped.

※：AK154装置工場出荷状態で購入された場合、調整済の為同封しておりません。"

NUMERICAL INDEX OF PARTS

PART NO	PAGE	REF NO.
40004254	2	9
40006323	2	19
40024081	2	18
40040256	2	10
40089270	2	16
40168923	2	3
40172401	2	12
40172466	2	4
40174375	2	6
40174382	2	14
40174614	2	2
40174615	2	8
EA9500B0100	2	15
NM6040001SP	2	11
SL6061292TN	2	13
SM4051255SP	2	17
SM6041202TP	2	5
SM80508A2TP	2	7