

MODEL : SC-950/SC-951

List No : 1695-00

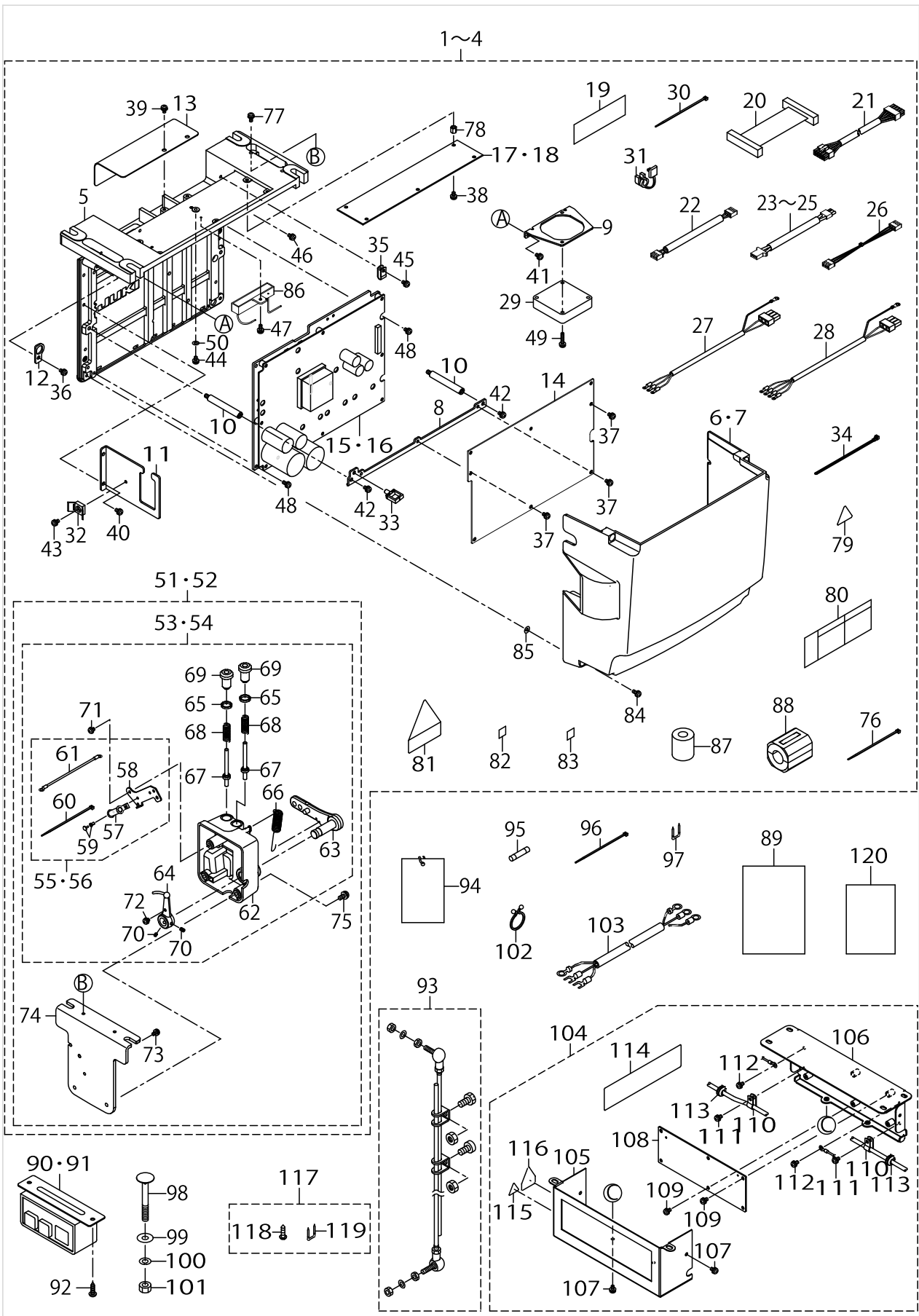
PARTS LIST

Published:05/12/2017

CONTENTS

SC-950 (TYPE FULL DIGITAL).....	1
SC-951 (TYPE DIGITAL).....	9
HOW TO MAKE USE OF THIS PARTS LIST	17

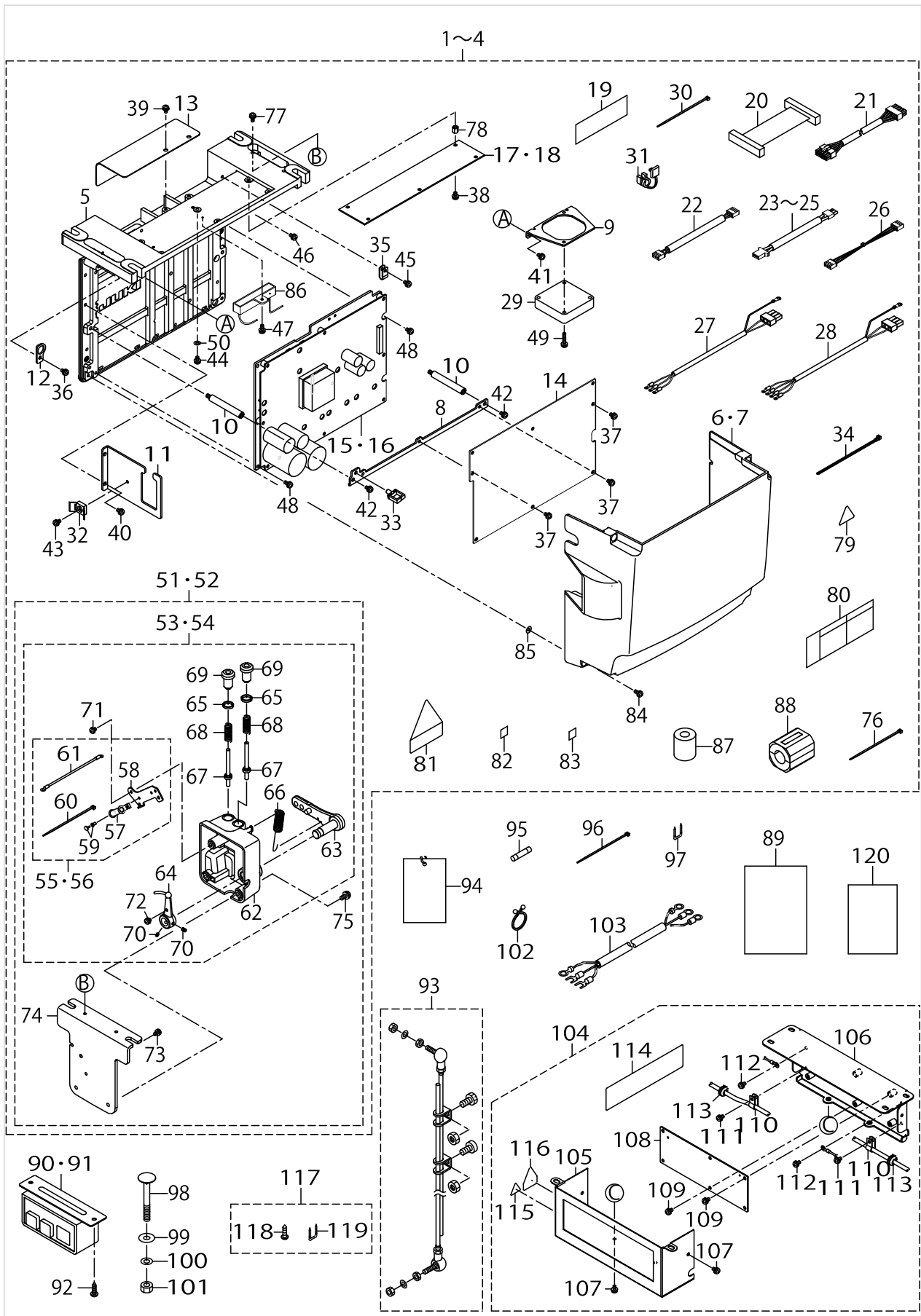
SC-950 (TYPE FULL DIGITAL)



SC-950 (TYPE FULL DIGITAL)

No.	Supply Code	Parts No.	Replacement	Parts name	Remarks	Choice	Step	Level	Cons	Qty	Rep. QTY
1		40171015		PSC UNIT 1PHASE 220-240V	FOR 1-PH-ASE 220~240V					1	
2		40171016		PSC UNIT 3PHASE 200-240V	FOR 3-PH-ASE 200~240V					1	
3		40171017		PSC UNIT 1PHASE 100-120V	FOR 1-PH-ASE 100~120V					1	
4		40171018		PSC UNIT 1PHASE 220-240V CE	FOR 1-PH-ASE 220~240V CE					1	
5		40171748		BOX FRAME				*		1	
6		40171747		BOX COVER	EXCEPT 1-PHASE 2-20~240V CE			*		1	
7		40170984		BOX_COVER_CE	FOR 1-PH-ASE 220~240V CE			*		1	
8		40115877		MAIN_PLATE				*		1	
9		40115874		FAN_PLATE				*		1	
10		40143990		STUD				*		2	
11		40171750		PLATE_B				*		1	
12		40173469		PLATE_C				*		1	
13		40115879		FAN_COVER				*		1	
14		40170990		CTL PCB ASSY				*		1	
15		40170970		PWR PCB ASSY	EXCEPT 1-PHASE 2-20~240V CE			*		1	
16		40176830		PWR-CE PCB ASSY	FOR 1-PH-ASE 220~240V CE			*		1	
17		40169130		FLT-S PCB ASSY	FOR 1-PH-ASE 220~240V			*		1	
18		40169140		FLT-T PCB ASSY	FOR 3-PH-ASE 200~-240V FOR 1-PHASE 100~120V			*		1	
19		40114398		MAIN COOL SHEET				*		2	
20		40170983		CTL-PWR S CORD ASSY				*		1	
21		40175579		CTL-PWR P CORD ASSY				*		1	
22		40175580		CTL-PWR T CORD ASSY				*		1	
23		40175581		FLT-PWR CORD ASSY (200V)	FOR 1-PH-ASE 220~-240V FOR 3-PHASE 200~240V			*		1	
24		40175582		FLT-PWR CORD ASSY (100V)	FOR 1-PH-ASE 100~120V			*		1	
25		40176825		FLT-PWR CORD ASSY (CE)	FOR 1-PH-ASE 220~240V CE			*		1	
26		40175583		FLT-CTL CORD ASSY				*		1	
27		40175586		AC INPUT CORD S ASSY	FOR 1-PH-ASE 220~240V			*		1	
28		40175587		AC INPUT CORD T ASSY	FOR 3-PH-ASE 200~-240V FOR 1-PHASE 100~120V			*		1	
29		40111214		FAN MOTOR ASSY				*		1	
30		EA9500B0100		CABLE BAND				*		1	
31		KX000000320		BUSH				*		1	
32		KX000000260		SADDLE TYPE TIE MOUNT				*		1	
33		HX00222000D		WIRE SADDLE				*		1	
34		HX00292000A		CABLE BAND				*		1	

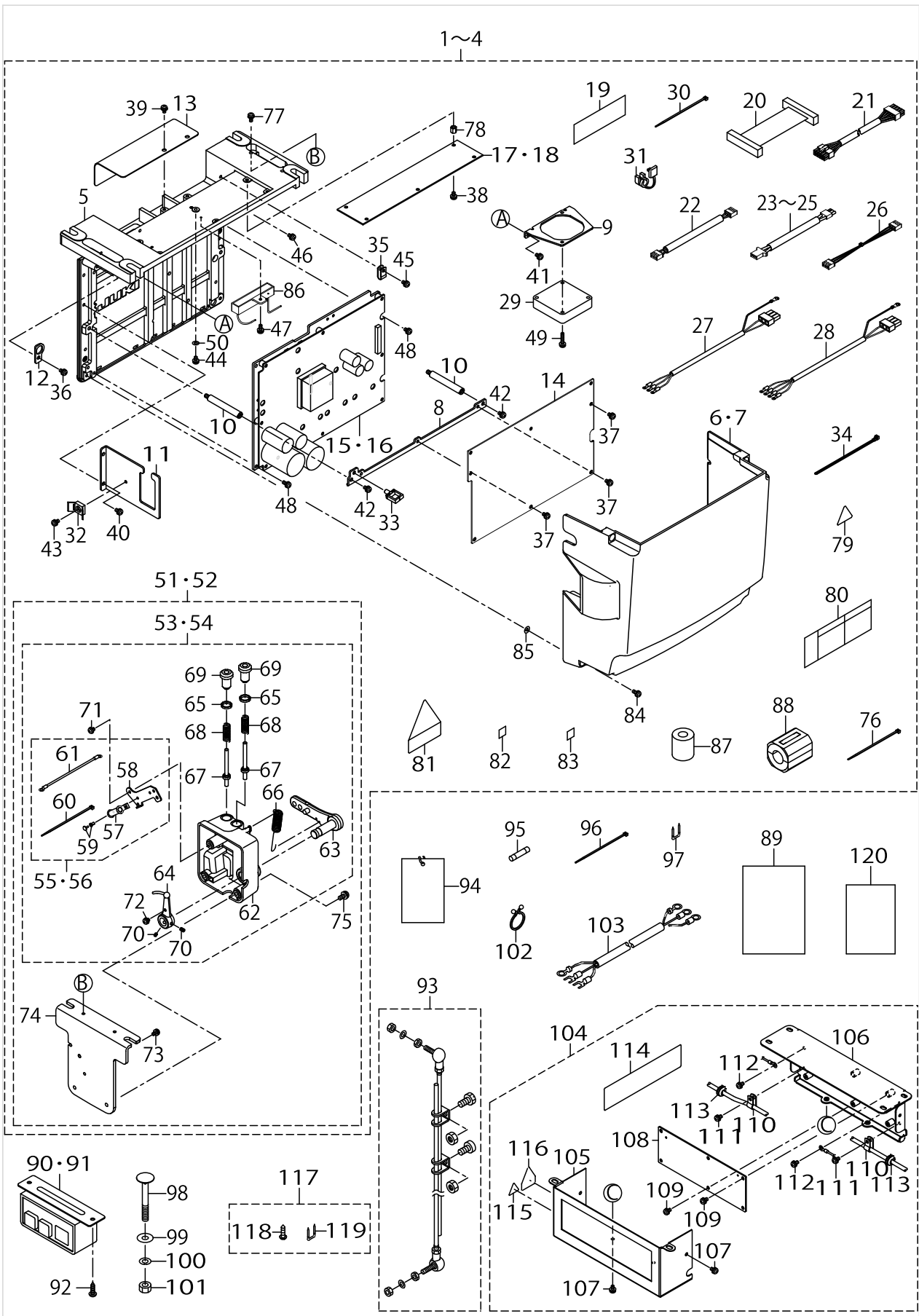
SC-950 (TYPE FULL DIGITAL)



SC-950 (TYPE FULL DIGITAL)

No.	Supply Code	Parts No.	Replacement	Parts name	Remarks	Choice	Step	Level	Cons	Qty	Rep. QTY
35		HX00150000A		CABLE CLAMP				*		1	
36		SL4040881SC		SCREW M4 L=8				*		1	
37		SL4040881SC		SCREW M4 L=8				*		8	
38		SL4040881SC		SCREW M4 L=8				*		5	
39		SL4040881SC		SCREW M4 L=8				*		2	
40		SL4040881SC		SCREW M4 L=8				*		2	
41		SL4040881SC		SCREW M4 L=8				*		2	
42		SL4040881SC		SCREW M4 L=8				*		2	
43		SL4040881SC		SCREW M4 L=8				*		1	
44		SL4040881SC		SCREW M4 L=8				*		1	
45		SL4040881SC		SCREW M4 L=8				*		1	
46		SL4040881SC		SCREW M4 L=8				*		6	
47		SL4041081SC		SCREW M4 L=10				*		1	
48		SL4041081SC		SCREW M4 L=10				*		4	
49		SL4042091SC		SCREW M4 L=20				*		2	
50		WP0430800SC		WASHER M4				*		1	
51		40170965		PEDAL SENSOR BASE ASSY	EXCEPT 1- -PHASE 2- 20~240V CE			*		1	
52		40176828		PEDAL SENSOR BASE ASSY CE	FOR 1-PH- ASE 220~240V CE			*		1	
53		40171020		PEDAL SENSOR ASSY	EXCEPT 1- -PHASE 2- 20~240V CE			*		1	
54		40171019		PEDAL SENSOR ASSY CE	FOR 1-PH- ASE 220~240V CE			*		1	
55		40170968		PEDAL SENSOR COIL HOLD ASSY	EXCEPT 1- -PHASE 2- 20~240V CE			*		1	
56		40176826		PEDAL SENSOR COIL HOLD ASSY CE	FOR 1-PH- ASE 220~240V CE			*		1	
57		40170967		PEDAL SENSOR COIL ASSY				*		1	
58		40042136		COIL_BASE				*		1	
59		40052809		NYLON_RIVET				*		2	
60		EA9500B0100		CABLE BAND				*		1	
61		40176827		PEDAL CORD	FOR 1-PH- ASE 220~240V CE			*		1	
62		40170980		PEDAL_SENSOR_BASE				*		1	
63	D	40042131		PEDAL_LEVER				*		1	
64		40177068		PEDAL_LEVER_FG				*		1	
65		40006202		ADJUST_NUT				*		2	
66		40006207		FRONT_SPRING				*		1	
67		40006208		SPRING_SHAFT_A				*		2	
68		40049426		SPRING_C				*		2	
69		40006212		ADJUST_SCREW				*		2	
70		SM8040612TP		SCREW M4 L=6				*		2	
71		SV4030601SR		SCREW M3 L=6				*		2	
72		SL4040681SC		SCREW M4 L=6	FOR 1-PH- ASE 220~240V CE			*		1	
73		SL4040881SC		SCREW M4 L=8	FOR 1-PH- ASE 220~240V CE			*		1	
74		40170964		PEDAL SENSOR BRACKET				*		1	
75	D	SL4051281SC		SCREW M5 L=12				*		3	

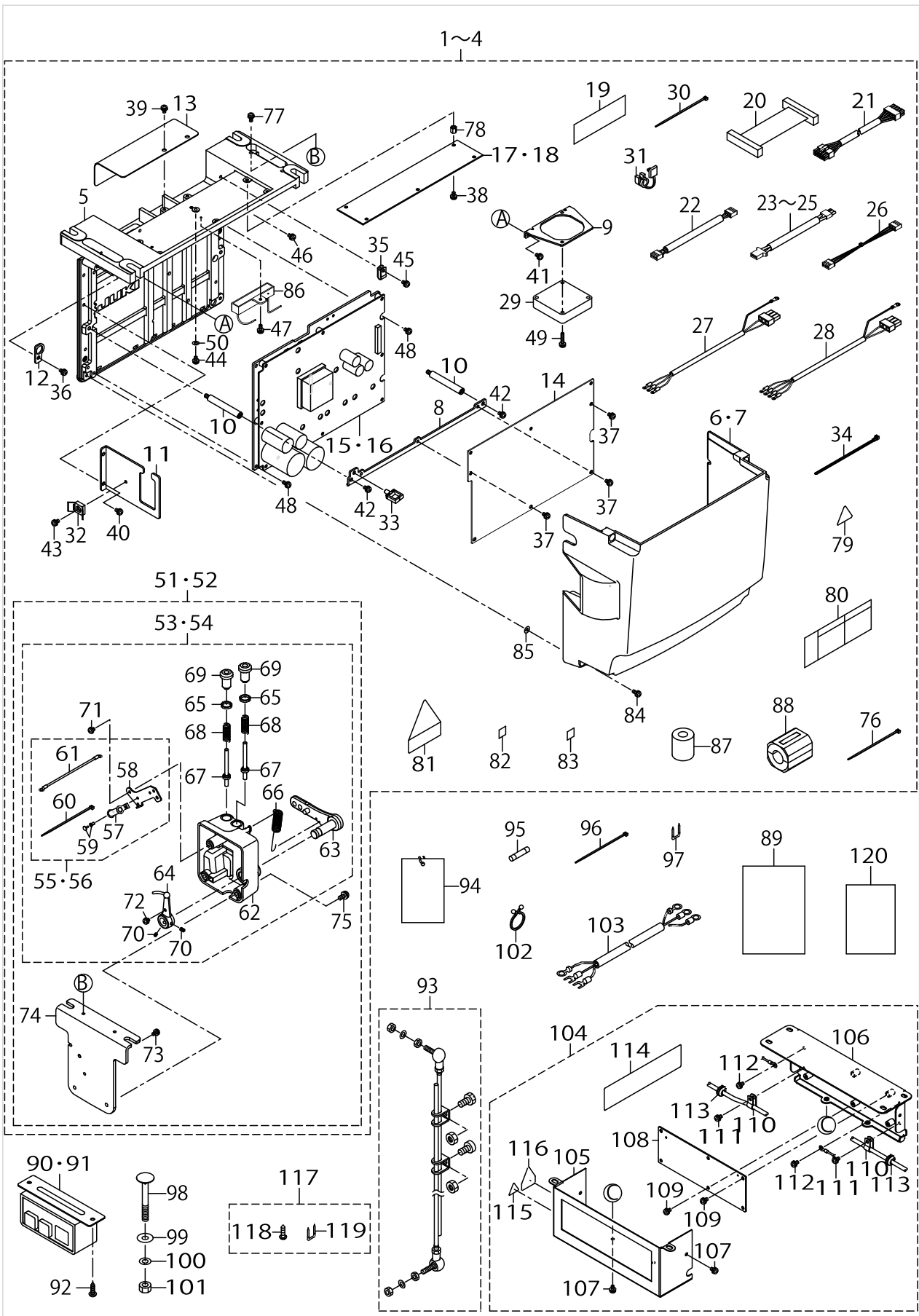
SC-950 (TYPE FULL DIGITAL)



SC-950 (TYPE FULL DIGITAL)

No.	Supply Code	Parts No.	Replacement	Parts name	Remarks	Choice	Step	Level	Cons	Qty	Rep. QTY
76		EA9500B0100		CABLE BAND	FOR 1-PH-ASE 220~240V CE			*		5	
77		SL4041281SC		SCREW M4X0.7 L=12				*		2	
78		HX00339000M		SPACER				*		5	
79		CM300100001		VOLTAGE WARNING LABEL (31.5)	FOR 1-PH-ASE 220~240V			*		1	
80		CM300100402		VOLTAGE DANGER LABEL 3 (SMALL)	FOR 3-PH-ASE 200~-240V FOR 1-PHASE 100~120V			*		1	
81		CM300400602		VOLTAGE CAUTION LABEL L=25				*		1	
82		CM600100101		WEEE MARK LABEL S	FOR 1-PH-ASE 220~240V CE			*		1	
83		40150131		EAC_MARK_LABEL_S	FOR 1-PH-ASE 220~240V CE			*		1	
84		SL4041281SC		SCREW M4 L=12				*		4	
85		M8002430000		STOPPER				*		4	
86		40141206		RESISTANCE_A_ASSY				*		1	
87		HN001490000		CORES	FOR 1-PH-ASE 220~240V CE			*		4	
88		HN004210000		CORES	FOR 1-PH-ASE 220~240V CE			*		1	
89		CM600100201		WEEE INFORMATION SHEET	FOR 1-PH-ASE 220~240V CE					1	
90		40111651		POWER SWITCH ASM	FOR 1-PH-ASE 220~240V					1	
91		40118323		POWERSWITCHASSY	FOR 3-PH-ASE 200~240V					1	
92		SK3512001SE		WOOD SCREW D=5.1 L=20	FOR 1-PH-ASE 220~-240V FOR 3-PHASE 200~240V					2	
93		40088314		CONNECING_ROD_ASSY						1	
94		M300451100A		VOLTAGE INDICATION CARD						1	
95		HF0013050P0		SLO-BLO FUSE						1	
96		EA9500B0200		CABLE BAND						2	
97		MAO11532000		CORD STAPLE						2	
98		40093426		MOTOR FITTING BOLT L=75						4	
99		WP0852086SC		WASHER M8						4	
100		WS0820002KR		SPRING WASHER M8						4	
101		NM6080002SC		NUT M8X1.25 TYPE2						4	
102		HX005100000		OMEGALOCK						2	
103		M6102461DAA		AC INPUT CABLE ASM.(CE)	FOR 1-PH-ASE 220~240V CE					1	
104		40180862		REACTOR BOX ASSY 1P	FOR 1-PH-ASE 220~240V CE					1	
105		40161413		REACTOR_BOX_COVER_A_ASSY				*		1	
106		40161414		REACTOR BOX BASE				*		1	
107		SL4040881SC		SCREW M4 L=8				*		4	
108		40180849		REACTOR PCB ASSY 1P				*		1	
109		SL4040881SC		SCREW M4 L=8				*		6	
110		HX00150000B		CABLE CLAMP				*		2	
111		SL4040881SC		SCREW M4 L=8				*		2	
112		SL4040881SC		SCREW M4 L=8				*		2	
113		M1013110000		CORD BUSH A				*		2	

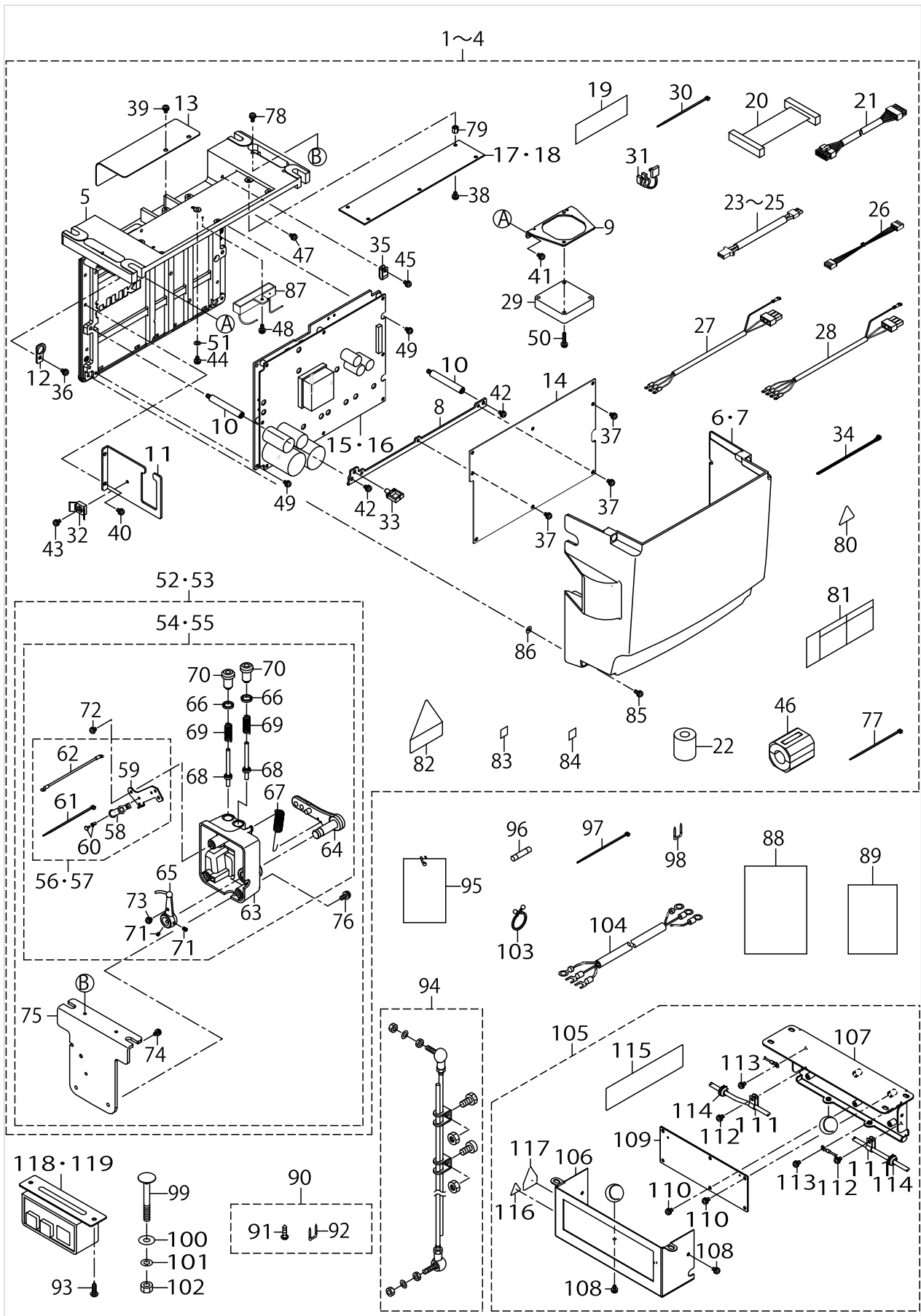
SC-950 (TYPE FULL DIGITAL)



SC-950 (TYPE FULL DIGITAL)

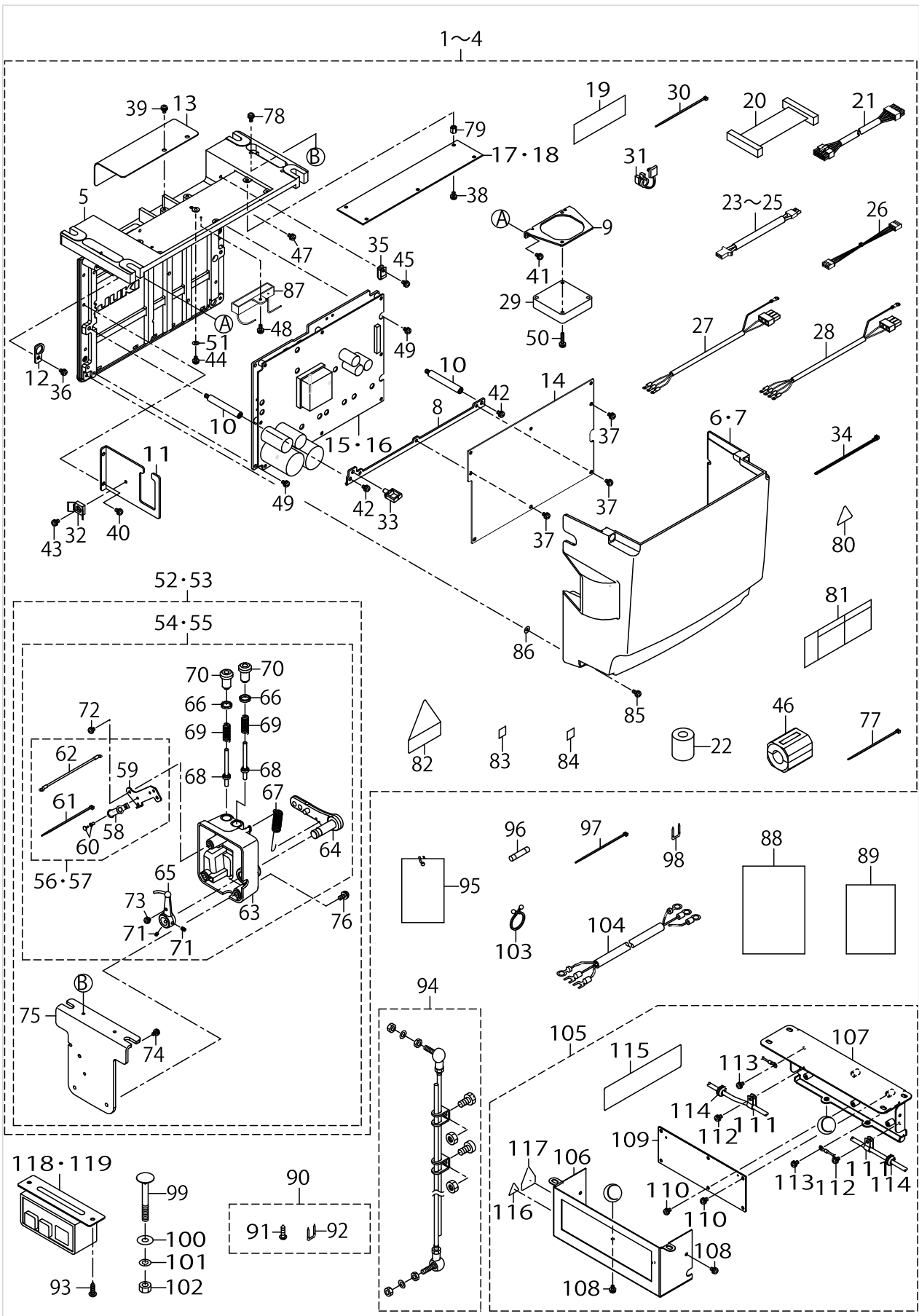
No.	Supply Code	Parts No.	Replacement	Parts name	Remarks	Choice	Step	Level	Cons	Qty	Rep. QTY
114		CM300100302		VOLTAGE DANGER LABEL 2 (SMALL)	FOR 1-PH-ASE 220~240V CE			*		1	
115		CM300100003		VOLTAGE WARNING LABEL (25)				*		1	
116		CM300400602		VOLTAGE CAUTION LABEL L=25				*		1	
117		40162979		REACTOR BOX ACCESSORY						1	
118		SK3512001SE		WOOD SCREW D=5.1 L=20				*		4	
119		MAO11532000		CORD STAPLE				*		4	
120		40178542		SC950 USE INSTRUCTION 10K						1	

SC-951 (TYPE DIGITAL)



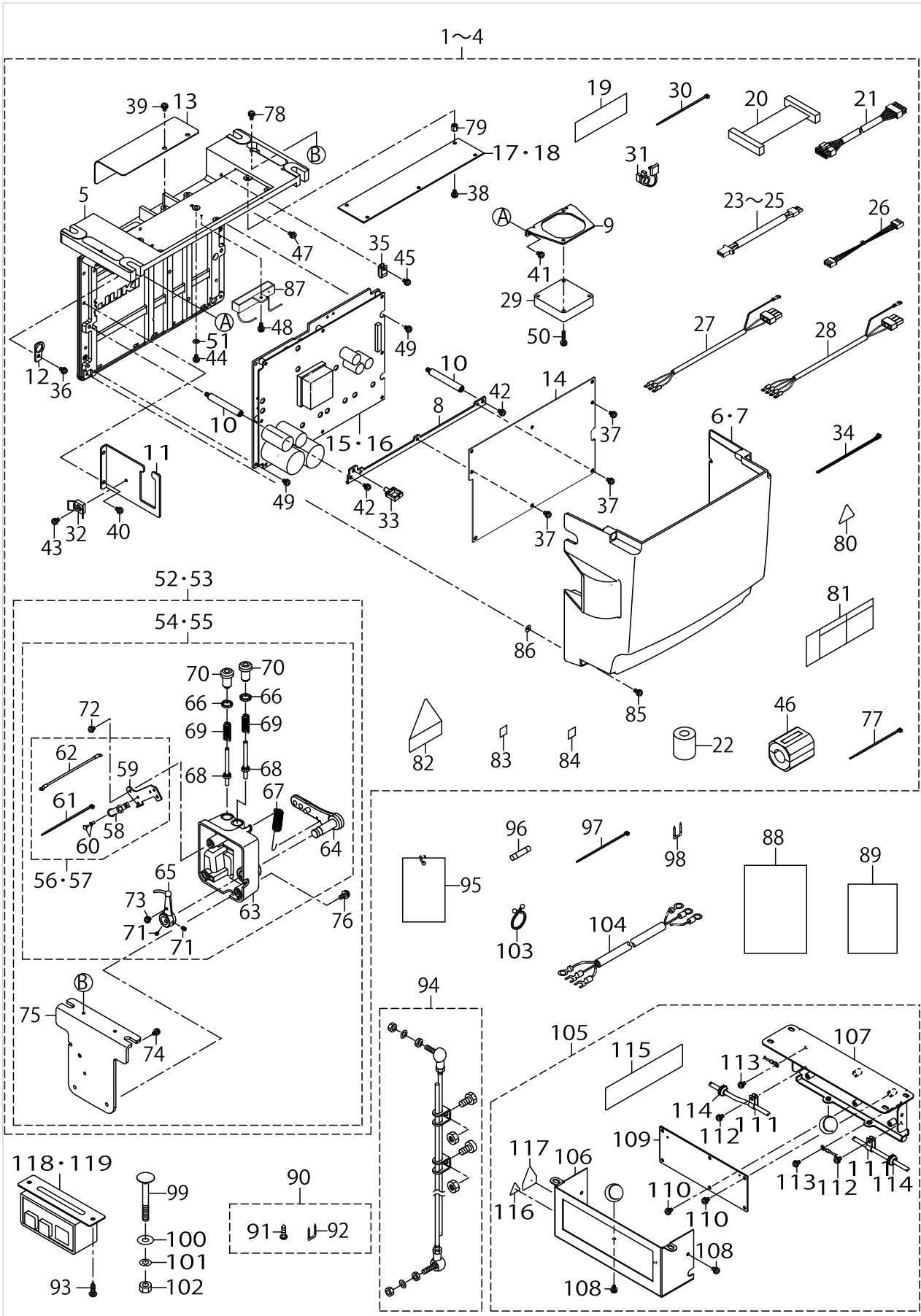
SC-951 (TYPE DIGITAL)

No.	Supply Code	Parts No.	Replacement	Parts name	Remarks	Choice	Step	Level	Cons	Qty	Rep. QTY
1		40171010		PSC UNIT 1PHASE 220-240V	FOR 1-PH-ASE 220~240V					1	
2		40171011		PSC UNIT 3PHASE 200-240V	FOR 3-PH-ASE 200~240V					1	
3		40171012		PSC UNIT 1PHASE 100-120V	FOR 1-PH-ASE 100~120V					1	
4		40171013		PSC UNIT 1PHASE 220-240V CE	FOR 1-PH-ASE 220~240V CE					1	
5		40171748		BOX FRAME				*		1	
6		40171747		BOX COVER	EXCEPT 1-PHASE 2-20~240V CE			*		1	
7		40170984		BOX_COVER_CE	FOR 1-PH-ASE 220~240V CE			*		1	
8		40115877		MAIN_PLATE				*		1	
9		40115874		FAN_PLATE				*		1	
10		40143990		STUD				*		2	
11		40171750		PLATE_B				*		1	
12		40173469		PLATE_C				*		1	
13		40115879		FAN_COVER				*		1	
14		40170987		CTL PCB ASSY D				*		1	
15		40170970		PWR PCB ASSY	EXCEPT 1-PHASE 2-20~240V CE			*		1	
16		40176830		PWR-CE PCB ASSY	FOR 1-PH-ASE 220~240V CE			*		1	
17		40169130		FLT-S PCB ASSY	FOR 1-PH-ASE 220~240V			*		1	
18		40169140		FLT-T PCB ASSY	FOR 3-PH-ASE 200~-240V FOR 1-PHASE 100~120V			*		1	
19		40114398		MAIN COOL SHEET				*		2	
20		40170983		CTL-PWR S CORD ASSY				*		1	
21		40175579		CTL-PWR P CORD ASSY				*		1	
22		HN001490000		CORES	FOR 1-PH-ASE 220~240V CE			*		4	
23		40175581		FLT-PWR CORD ASSY (200V)	FOR 1-PH-ASE 220~-240V FOR 3-PHASE 200~240V			*		1	
24		40175582		FLT-PWR CORD ASSY (100V)	FOR 1-PH-ASE 100~120V			*		1	
25		40176825		FLT-PWR CORD ASSY (CE)	FOR 1-PH-ASE 220~240V CE			*		1	
26		40175583		FLT-CTL CORD ASSY				*		1	
27		40175586		AC INPUT CORD S ASSY	FOR 1-PH-ASE 220~240V			*		1	
28		40175587		AC INPUT CORD T ASSY	FOR 3-PH-ASE 200~-240V FOR 1-PHASE 100~120V			*		1	
29		40111214		FAN MOTOR ASSY				*		1	
30		EA9500B0100		CABLE BAND				*		1	
31		KX000000320		BUSH				*		1	
32		KX000000260		SADDLE TYPE TIE MOUNT				*		1	
33		HX00222000D		WIRE SADDLE				*		1	
34		HX00292000A		CABLE BAND				*		1	



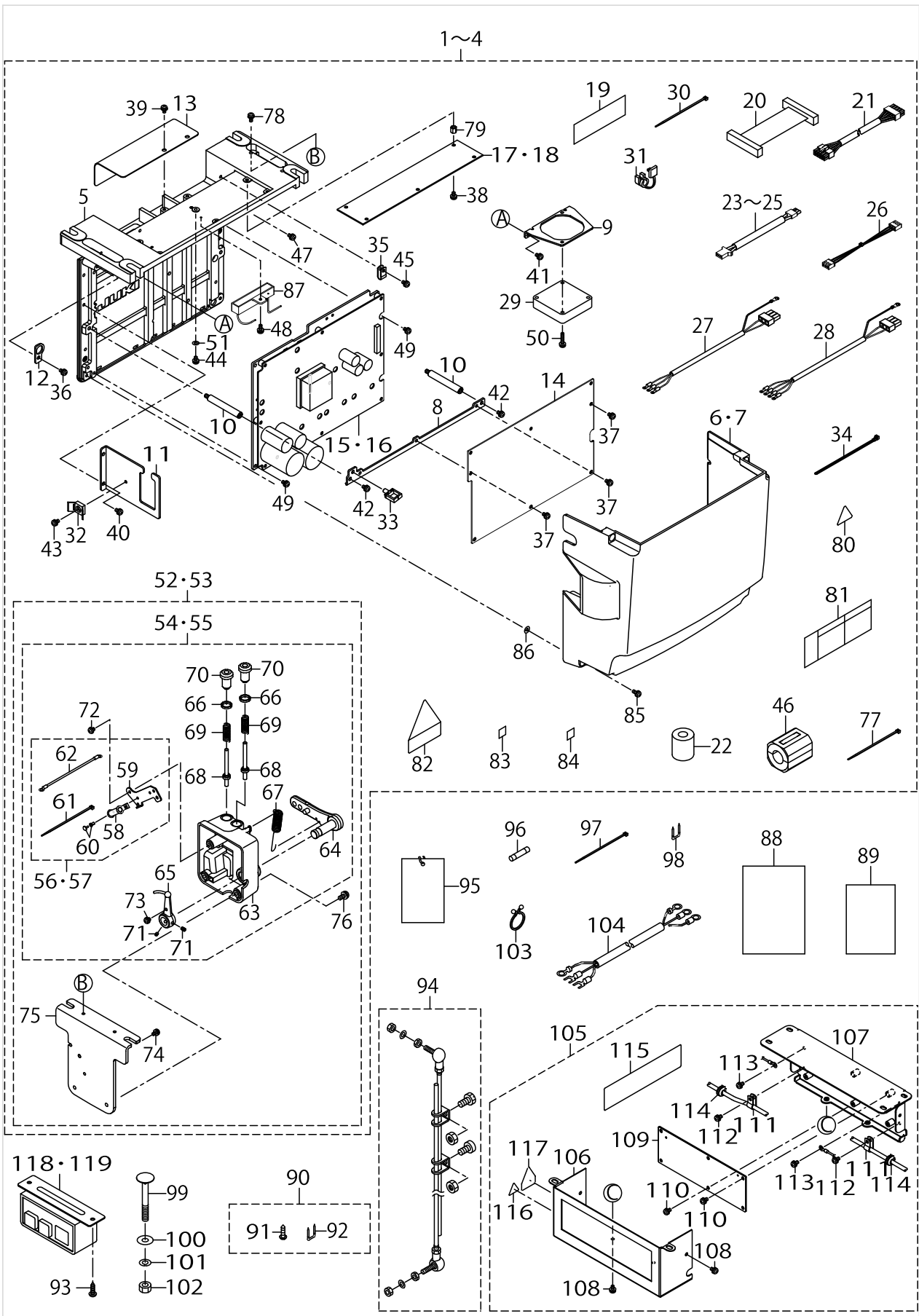
SC-951 (TYPE DIGITAL)

No.	Supply Code	Parts No.	Replacement	Parts name	Remarks	Choice	Step	Level	Cons	Qty	Rep. QTY
35		HX00150000A		CABLE CLAMP				*		1	
36		SL4040881SC		SCREW M4 L=8				*		1	
37		SL4040881SC		SCREW M4 L=8				*		8	
38		SL4040881SC		SCREW M4 L=8				*		5	
39		SL4040881SC		SCREW M4 L=8				*		2	
40		SL4040881SC		SCREW M4 L=8				*		2	
41		SL4040881SC		SCREW M4 L=8				*		2	
42		SL4040881SC		SCREW M4 L=8				*		2	
43		SL4040881SC		SCREW M4 L=8				*		1	
44		SL4040881SC		SCREW M4 L=8				*		1	
45		SL4040881SC		SCREW M4 L=8				*		1	
46		HN004210000		CORES	FOR 1-PH-ASE 220~240V CE			*		1	
47		SL4040881SC		SCREW M4 L=8				*		6	
48		SL4041081SC		SCREW M4 L=10				*		1	
49		SL4041081SC		SCREW M4 L=10				*		4	
50		SL4042091SC		SCREW M4 L=20				*		2	
51		WP0430800SC		WASHER M4				*		1	
52		40170965		PEDAL SENSOR BASE ASSY	EXCEPT 1-PHASE 2-20~240V CE			*		1	
53		40176828		PEDAL SENSOR BASE ASSY CE	FOR 1-PHASE 220~240V CE			*		1	
54		40171020		PEDAL SENSOR ASSY	EXCEPT 1-PHASE 2-20~240V CE			*		1	
55		40171019		PEDAL SENSOR ASSY CE	FOR 1-PHASE 220~240V CE			*		1	
56		40170968		PEDAL SENSOR COIL HOLD ASSY	EXCEPT 1-PHASE 2-20~240V CE			*		1	
57		40176826		PEDAL SENSOR COIL HOLD ASSY CE	FOR 1-PHASE 220~240V CE			*		1	
58		40170967		PEDAL SENSOR COIL ASSY				*		1	
59		40042136		COIL_BASE				*		1	
60		40052809		NYLON_RIVET				*		2	
61		EA9500B0100		CABLE BAND				*		1	
62		40176827		PEDAL CORD	FOR 1-PHASE 220~240V CE			*		1	
63		40170980		PEDAL_SENSOR_BASE				*		1	
64	D	40042131		PEDAL_LEVER				*		1	
65		40177068		PEDAL_LEVER_FG				*		1	
66		40006202		ADJUST_NUT				*		2	
67		40006207		FRONT_SPRING				*		1	
68		40006208		SPRING_SHAFT_A				*		2	
69		40049426		SPRING_C				*		2	
70		40006212		ADJUST_SCREW				*		2	
71		SM8040612TP		SCREW M4 L=6				*		2	
72		SV4030601SR		SCREW M3 L=6				*		2	
73		SL4040681SC		SCREW M4 L=6	FOR 1-PHASE 220~240V CE			*		1	
74		SL4040881SC		SCREW M4 L=8	FOR 1-PHASE 220~240V CE			*		1	
75		40170964		PEDAL SENSOR BRACKET				*		1	



SC-951 (TYPE DIGITAL)

No.	Supply Code	Parts No.	Replacement	Parts name	Remarks	Choice	Step	Level	Cons	Qty	Rep. QTY
76	D	SL4051281SC		SCREW M5 L=12				*		3	
77		EA9500B0100		CABLE BAND	FOR 1-PH-ASE 220~240V CE			*		5	
78		SL4041281SC		SCREW M4X0.7 L=12				*		2	
79		HX00339000M		SPACER				*		5	
80		CM300100001		VOLTAGE WARNING LABEL (31.5)	FOR 1-PH-ASE 220~240V			*		1	
81		CM300100402		VOLTAGE DANGER LABEL 3 (SMALL)	FOR 3-PH-ASE 200~-240V FOR 1-PHASE 100~120V			*		1	
82		CM300400602		VOLTAGE CAUTION LABEL L=25				*		1	
83		CM600100101		WEEE MARK LABEL S	FOR 1-PH-ASE 220~240V CE			*		1	
84		40150131		EAC_MARK_LABEL_S	FOR 1-PH-ASE 220~240V CE			*		1	
85		SL4041281SC		SCREW M4 L=12				*		4	
86		M8002430000		STOPPER				*		4	
87		40141206		RESISTANCE_A_ASSY				*		1	
88		CM600100201		WEEE INFORMATION SHEET	FOR 1-PH-ASE 220~240V CE					1	
89		40178542		SC950 USE INSTRUCTION 10K						1	
90		40162979		REACTOR BOX ACCESSORY	FOR 1-PH-ASE 220~240V CE					1	
91		SK3512001SE		WOOD SCREW D=5.1 L=20				*		4	
92		MAO11532000		CORD STAPLE				*		4	
93		SK3512001SE		WOOD SCREW D=5.1 L=20	FOR 1-PH-ASE 220~-240V FOR 3-PHASE 200~240V					2	
94		40088314		CONNECING_ROD_ASSY						1	
95		M300451100A		VOLTAGE INDICATION CARD						1	
96		HF0013050P0		SLO-BLO FUSE						1	
97		EA9500B0200		CABLE BAND						2	
98		MAO11532000		CORD STAPLE						2	
99		40093426		MOTOR FITTING BOLT L=75						4	
100		WP0852086SC		WASHER M8						4	
101		WS0820002KR		SPRING WASHER M8						4	
102		NM6080002SC		NUT M8X1.25 TYPE2						4	
103		HX005100000		OMEGALOCK						2	
104		M6102461DAA		AC INPUT CABLE ASM.(CE)	FOR 1-PH-ASE 220~240V CE					1	
105		40180862		REACTOR BOX ASSY 1P	FOR 1-PH-ASE 220~240V CE					1	
106		40161413		REACTOR_BOX_COVER_A_ASSY				*		1	
107		40161414		REACTOR BOX BASE				*		1	
108		SL4040881SC		SCREW M4 L=8				*		4	
109		40180849		REACTOR PCB ASSY 1P				*		1	
110		SL4040881SC		SCREW M4 L=8				*		6	
111		HX00150000B		CABLE CLAMP				*		2	
112		SL4040881SC		SCREW M4 L=8				*		2	
113		SL4040881SC		SCREW M4 L=8				*		2	
114		M1013110000		CORD BUSH A				*		2	



SC-951 (TYPE DIGITAL)

No.	Supply Code	Parts No.	Replacement	Parts name	Remarks	Choice	Step	Level	Cons	Qty	Rep. QTY
115		CM300100302		VOLTAGE DANGER LABEL 2 (SMALL)				*		1	
116		CM300100003		VOLTAGE WARNING LABEL (25)				*		1	
117		CM300400602		VOLTAGE CAUTION LABEL L=25				*		1	
118		40111651		POWER SWITCH ASM	FOR 1-PH-ASE 220~240V					1	
119		40118323		POWERSWITCHASSY	FOR 3-PH-ASE 200~240V					1	

HOW TO MAKE USE OF THIS PARTS LIST

1.As to "#01" and "#02" refer to the "Note" given at the bottom of the respective pages.

2.Codes on the "Qty" column

- Each numeral indicates the number of parts required.
- "0.1" and "2.5" indicate the length (in meters) of the respective parts.

3.Parentheses mean that the corresponding part is a subpart that constructs an assembly part.

4.Dotted lines on the Figures indicate assembly parts.

1. リストページの# 0 1、# 0 2の印は、ページ下の"注記"の説明を参照下さい。
2. 数量欄の数字は、個数を表し、0. 1、2. 5等の数値は、長さ（単位メートル）を表します。
3. 数量欄の（ ）は、組部品を構成している子部品であることを意味します。
4. イラストページの-----枠は、組構成であることを意味します。

NUMERICAL INDEX OF PARTS

PART NO	PAGE	REF NO.	PART NO	PAGE	REF NO.	PART NO	PAGE	REF NO.
40006202	4	65	40162979	14	90	40175580	2	22
40006202	12	66	40169130	2	17·18	40175581	2	23~25
40006207	4	66	40169130	10	17·18	40175581	10	23~25
40006207	12	67	40169140	2	17·18	40175582	2	23~25
40006208	4	67	40169140	10	17·18	40175582	10	23~25
40006208	12	68	40170964	4	74	40175583	2	26
40006212	4	69	40170964	12	75	40175583	10	26
40006212	12	70	40170965	4	51·52	40175586	2	27
40042131	4	63	40170965	12	52·53	40175586	10	27
40042131	12	64	40170967	4	57	40175587	2	28
40042136	4	58	40170967	12	58	40175587	10	28
40042136	12	59	40170968	4	55·56	40176825	2	23~25
40049426	4	68	40170968	12	56·57	40176825	10	23~25
40049426	12	69	40170970	2	15·16	40176826	4	55·56
40052809	4	59	40170970	10	15·16	40176826	12	56·57
40052809	12	60	40170980	4	62	40176827	4	61
40088314	6	93	40170980	12	63	40176827	12	62
40088314	14	94	40170983	2	20	40176828	4	51·52
40093426	6	98	40170983	10	20	40176828	12	52·53
40093426	14	99	40170984	2	6·7	40176830	2	15·16
40111214	2	29	40170984	10	6·7	40176830	10	15·16
40111214	10	29	40170987	10	14	40177068	4	64
40111651	6	90·91	40170990	2	14	40177068	12	65
40111651	16	118·119	40171010	10	1~4	40178542	8	120
40114398	2	19	40171011	10	1~4	40178542	14	89
40114398	10	19	40171012	10	1~4	40180849	6	108
40115874	2	9	40171013	10	1~4	40180849	14	109
40115874	10	9	40171015	2	1~4	40180862	6	104
40115877	2	8	40171016	2	1~4	40180862	14	105
40115877	10	8	40171017	2	1~4	CM300100001	6	79
40115879	2	13	40171018	2	1~4	CM300100001	14	80
40115879	10	13	40171019	4	53·54	CM300100003	8	115
40118323	6	90·91	40171019	12	54·55	CM300100003	16	116
40118323	16	118·119	40171020	4	53·54	CM300100302	8	114
40141206	6	86	40171020	12	54·55	CM300100302	16	115
40141206	14	87	40171747	2	6·7	CM300100402	6	80
40143990	2	10	40171747	10	6·7	CM300100402	14	81
40143990	10	10	40171748	2	5	CM300400602	6	116
40150131	6	83	40171748	10	5	CM300400602	8	116
40150131	14	84	40171750	2	11	CM300400602	14	117
40161413	6	105	40171750	10	11	CM300400602	16	117
40161413	14	106	40173469	2	12	CM600100101	6	82
40161414	6	106	40173469	10	12	CM600100101	14	83
40161414	14	107	40175579	2	21	CM600100201	6	89
40162979	8	117	40175579	10	21	CM600100201	14	88

NUMERICAL INDEX OF PARTS

PART NO	PAGE	REF NO.	PART NO	PAGE	REF NO.
EA9500B0100	2	76	SK3512001SE	14	93
EA9500B0100	4	76	SL4040681SC	4	72
EA9500B0100	6	76	SL4040681SC	12	73
EA9500B0100	10	77	SL4040881SC	4	112
EA9500B0100	12	77	SL4040881SC	6	112
EA9500B0100	14	77	SL4040881SC	12	113
EA9500B0200	6	96	SL4040881SC	14	113
EA9500B0200	14	97	SL4041081SC	4	48
HF0013050P0	6	95	SL4041081SC	12	49
HF0013050P0	14	96	SL4041281SC	6	84
HN001490000	6	87	SL4041281SC	14	85
HN001490000	10	22	SL4042091SC	4	49
HN004210000	6	88	SL4042091SC	12	50
HN004210000	12	46	SL4051281SC	4	75
HX00150000A	4	35	SL4051281SC	14	76
HX00150000A	12	35	SM8040612TP	4	70
HX00150000B	6	110	SM8040612TP	12	71
HX00150000B	14	111	SV4030601SR	4	71
HX00222000D	2	33	SV4030601SR	12	72
HX00222000D	10	33	WP0430800SC	4	50
HX00292000A	2	34	WP0430800SC	12	51
HX00292000A	10	34	WP0852086SC	6	99
HX00339000M	6	78	WP0852086SC	14	100
HX00339000M	14	79	WS0820002KR	6	100
HX005100000	6	102	WS0820002KR	14	101
HX005100000	14	103			
KX000000260	2	32			
KX000000260	10	32			
KX000000320	2	31			
KX000000320	10	31			
M1013110000	6	113			
M1013110000	14	114			
M300451100A	6	94			
M300451100A	14	95			
M6102461DAA	6	103			
M6102461DAA	14	104			
M8002430000	6	85			
M8002430000	14	86			
MAO11532000	6	119			
MAO11532000	8	119			
MAO11532000	14	98			
NM6080002SC	6	101			
NM6080002SC	14	102			
SK3512001SE	6	118			
SK3512001SE	8	118			