

MODEL : CR10A

List No : 1702-00

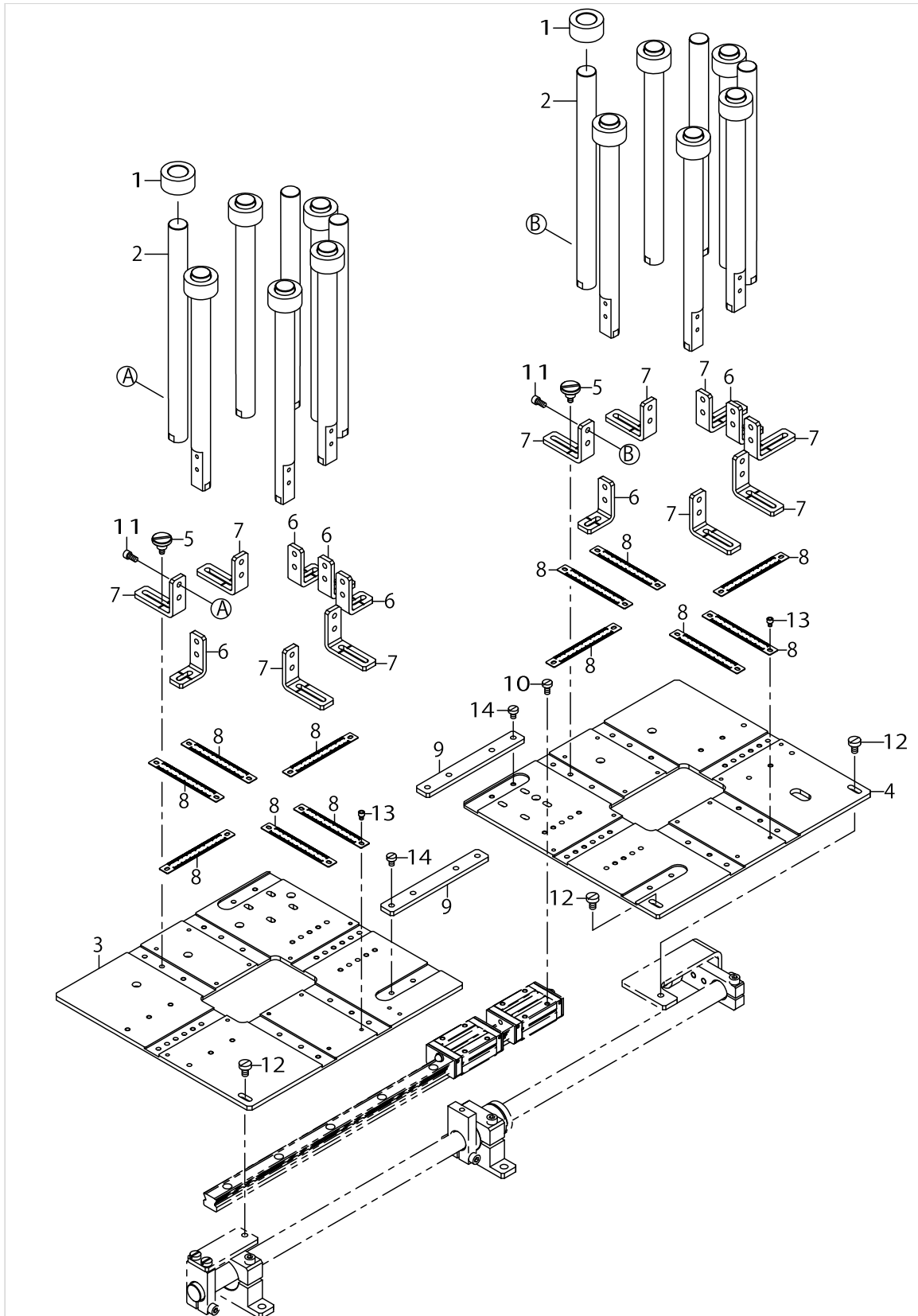
PARTS LIST

Published:05/12/2017

CONTENTS

SHOE TONGUE BASE COMPONENTS	1
SHOE TONGUE LIFT COMPONENTS.....	3
SHOE TONGUE BASE EXCHANGE COMPONENTS	5
PICKUP COMPONENTS.....	7
SHOE TONGUE LOADING COMPONENTS	11
SHOE TONGUE DISCHARGE COMPONENTS	13
AIR COMPONENTS	15
COVER COMPONENTS.....	19
WIRING DIAGRAM	21
ACCESSORIE PARTS COMPONENTS	23
HOW TO MAKE USE OF THIS PARTS LIST	25

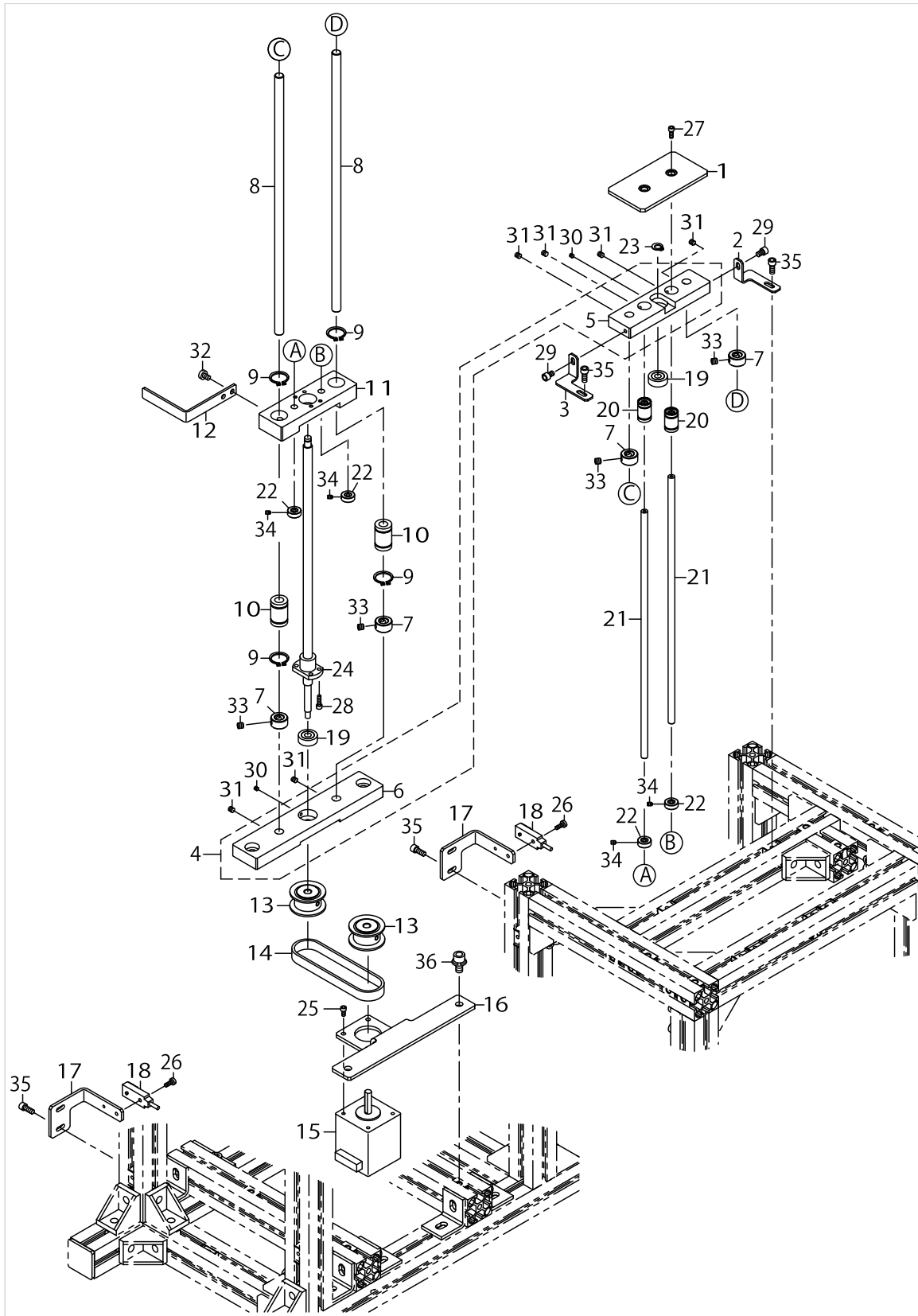
SHOE TONGUE BASE COMPONENTS



SHOE TONGUE BASE COMPONENTS

No.	Supply Code	Parts No.	Replacement	Parts name	Remarks	Choice	Step	Level	Cons	Qty	Rep. QTY
1		40180461		COLLAR						12	
2		40180462		GUIDE_STICK						16	
3		40180476		TABLE_FRONT						1	
4		40180475		TABLE_REAR						1	
5		40180604		KNOB						16	
6		40180466		GUIDE_STICK_BRACKET_S						6	
7		40180463		GUIDE_STICK_BRACKET_L						10	
8		40180465		SHOE_TONGUE_WIDTH_SCALE_PLATE						12	
9		40180473		PLATE						2	
10		SM6040800SP		SCREW						8	
11		SM6040802TP		SCREW M4X0.7 L=8						32	
12		SM6050800SP		SCREW M5 L=8						3	
13		SM6030402TN		SCREW M3X4						24	
14		SM6040600SP		SCREW M4 L=6						8	

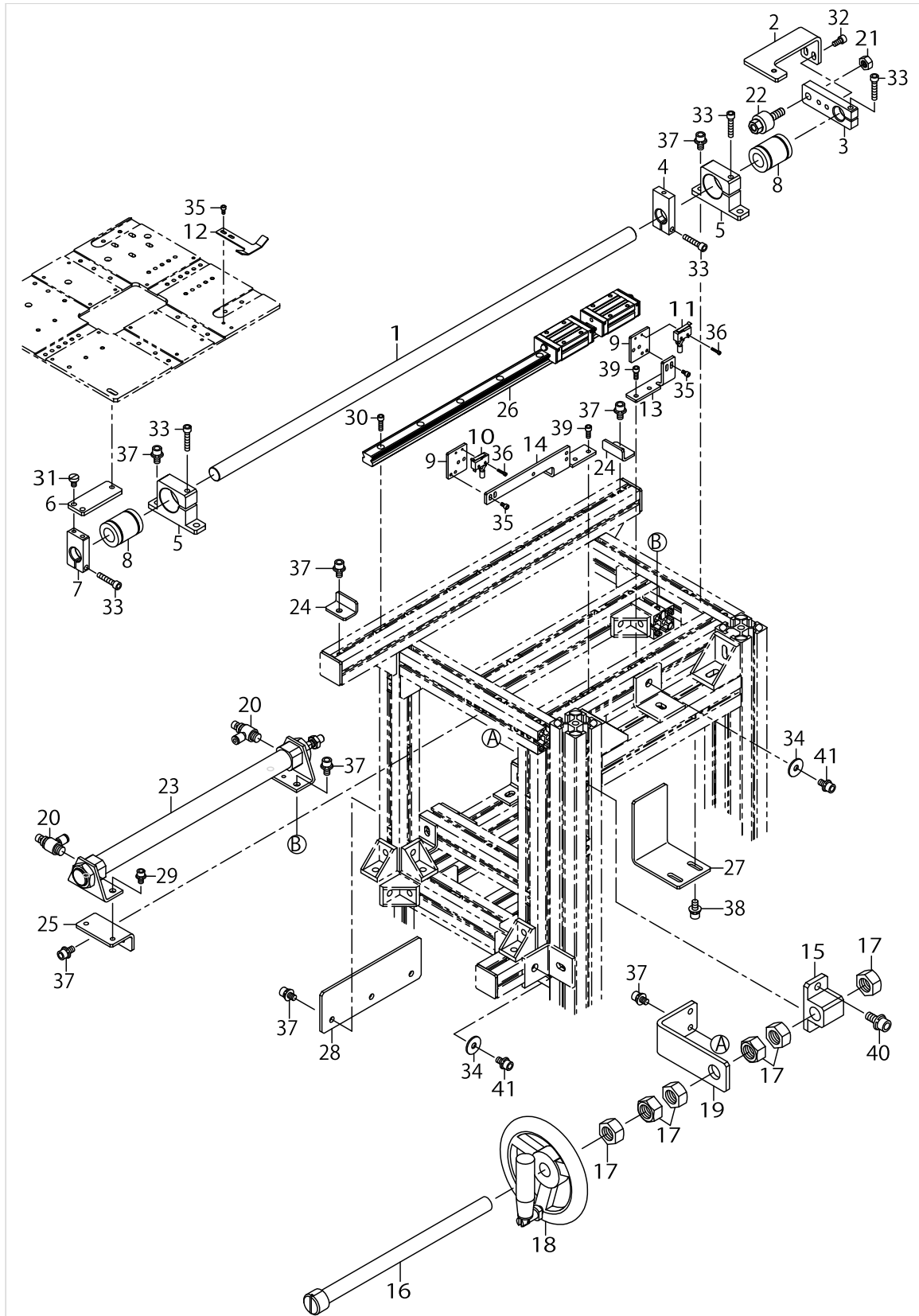
SHOE TONGUE LIFT COMPONENTS



SHOE TONGUE LIFT COMPONENTS

No.	Supply Code	Parts No.	Replacement	Parts name	Remarks	Choice	Step	Level	Cons	Qty	Rep. QTY
1		40180464		LIFTING_PLATFORM_ASM						1	
2		40180468		REAR_BRACKET						1	
3		40180477		FRONT_BRACKET						1	
4		40180474		BALL_SCREW_BASE_ASSY						1	
5		40180583		UPPER_BASE				*		1	
6		40180582		BALL_SCREW_BASE				*		1	
7		CS0800881TP		THRUST COLLAR D=8 W=8						4	
8		40180610		SHAFT						2	
9		RC0150001KP		C-RING 15 (13.8)						4	
10		SB708000100		BEARING						2	
11		40180469		MID_BASE						1	
12		40180472		SENSOR_PLATE						1	
13		40180606		SPROCKET						2	
14		40180608		TIMING_BELT						1	
15		40044473		ROLLER STACKER MOTOR						1	
16		40180471		BRACKET						1	
17		40180470		SENSOR_BRACKET						2	
18		70005187		FEED MOTOR U/D SENSOR ASSY						1	
19		SB106000200		BEARING						2	
20	D	SB706000100		BEARING						2	
21		40180612		LIFTING_SHAFT						2	
22		40010477		AT_SOL_COLLAR						4	
23		RC0560711KP		C-RING 6 (5.6)						1	
24		40180611		BALL_SCREW						1	
25		SM6030602TP		SCREW M3X0.5 L=6						4	
26		SM6030800SP		SCREW M3X0.5 L=8						2	
27		SM6030802TP		SCREW M3X0.5 L=8						2	
28		SM6031002TP		SCREW M3X0.5 L=10						4	
29		SM6040602TN		SCREW						2	
30		SM8030312TP		SCREW M3 L=3						2	
31		SM8040412TP		SCREW M4X4						6	
32		SM6040600SP		SCREW M4 L=6						2	
33		SM8050512TP		SCREW						8	
34		SM8030412TP		SCREW						8	
35		SM6041002TP		SCREW M4X0.7 L=10						6	
36		SL6061292TN		SCREW						4	

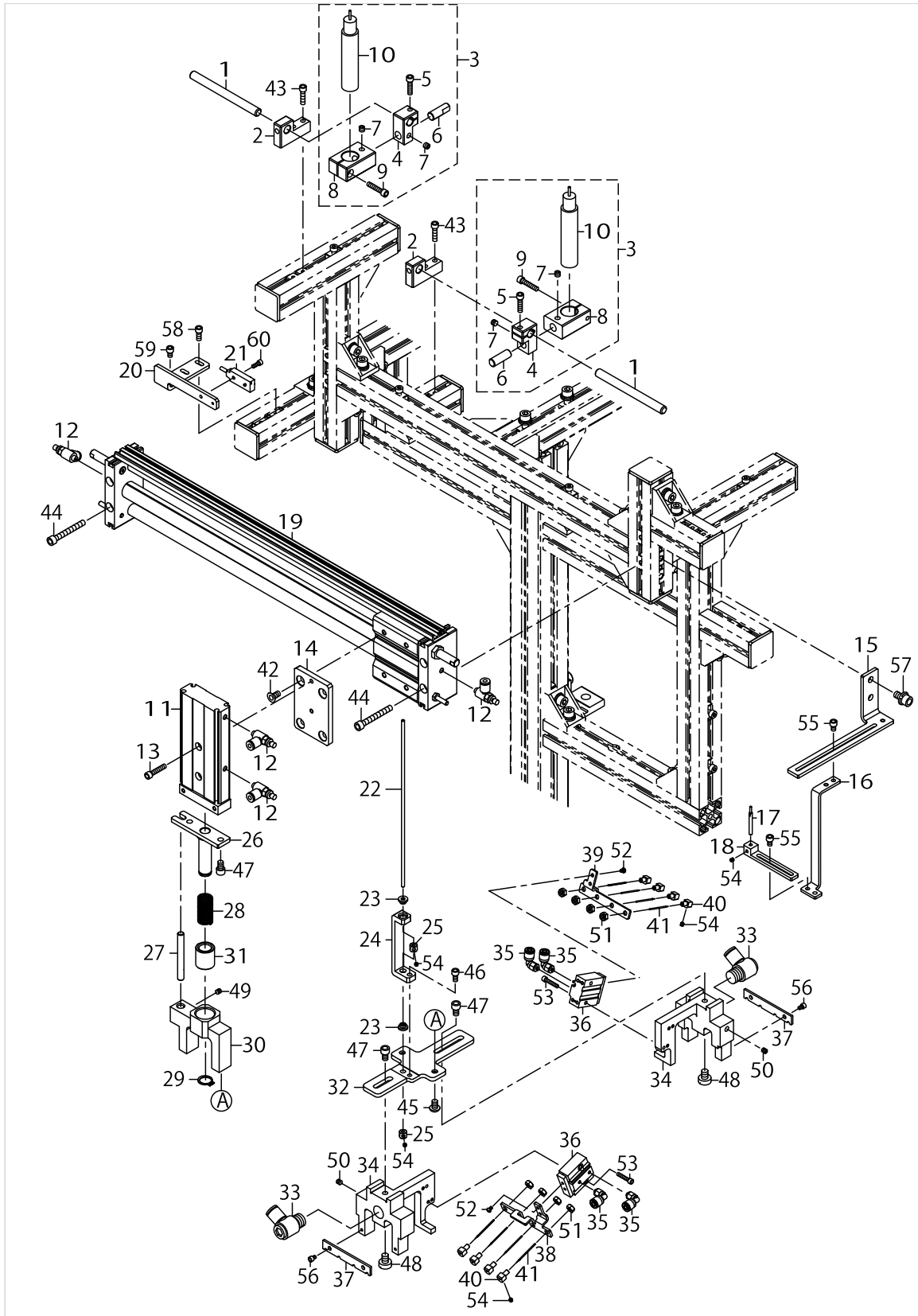
SHOE TONGUE BASE EXCHANGE COMPONENTS



SHOE TONGUE BASE EXCHANGE COMPONENTS

No.	Supply Code	Parts No.	Replacement	Parts name	Remarks	Choice	Step	Level	Cons	Qty	Rep. QTY
1		40180617		SHAFT						1	
2		40180490		SUPPORT_BRACKET						1	
3		40180486		BLOCK						1	
4		40180492		SUPPORT_BLOCK						1	
5		40180487		FRONT_BLOCK						2	
6		40180489		CONNECTION_PLATE						1	
7		40180488		SUPPORT_BLOCK						1	
8	D	SB716000100		BEARING						2	
9		40183357		PLATE						2	
10		40182373		LIMIT SWITCH A CORD ASSY						1	
11		40182374		LIMIT SWITCH B CORD ASSY						1	
12		40183360		YIELDING_PLATE						1	
13		40183359		SENSOR_BRACKET_REAR						1	
14		40183358		SENSOR_BRACKET_FRONT						1	
15		40180484		BOLT HOLDER						1	
16		40180619		BOLT						1	
17		NM6160001SC		NUT M16X2 TYPE1						6	
18		40180614		SPOKE_HANDLE						1	
19		40180485		BRACKET						1	
20		PC015108000		SPEED CONTROLLER						2	
21		NM6080001SC		NUT M8X1.25 TYPE1						1	
22		PA900063000		FLOATING JOINT						1	
23		PA2025003A0		AIR CYLINDER						1	
24		40180479		BRACKET						2	
25		40180491		CYLINDER_SUPPORT_BRACKET						1	
26		40180618		LM_GUIDE						1	
27		40180568		STOPPER_LEFT						1	
28		40180482		STOPPER_PLATE						1	
29		SL6051092TN		SCREW M5 L=10						2	
30		SM6041402TN		SCREW M4X0.7 L=14						7	
31		SM6050800SP		SCREW M5 L=8						2	
32		SM6051002TP		SCREW M5X0.8 L=10						2	
33		SM6052502TP		SCREW M5X25						5	
34		WP0651646SC		WASHER						2	
35		SM6030602TP		SCREW M3X0.5 L=6						6	
36		SM6021002TN		SCREW M2X10						4	
37		SL6061292TN		SCREW						15	
38		SL6061492TN		BOLT						2	
39		SM6041002TN		BOLT						4	
40		SL6082092TN		BOLT						2	
41		SL6061292TN		SCREW						2	

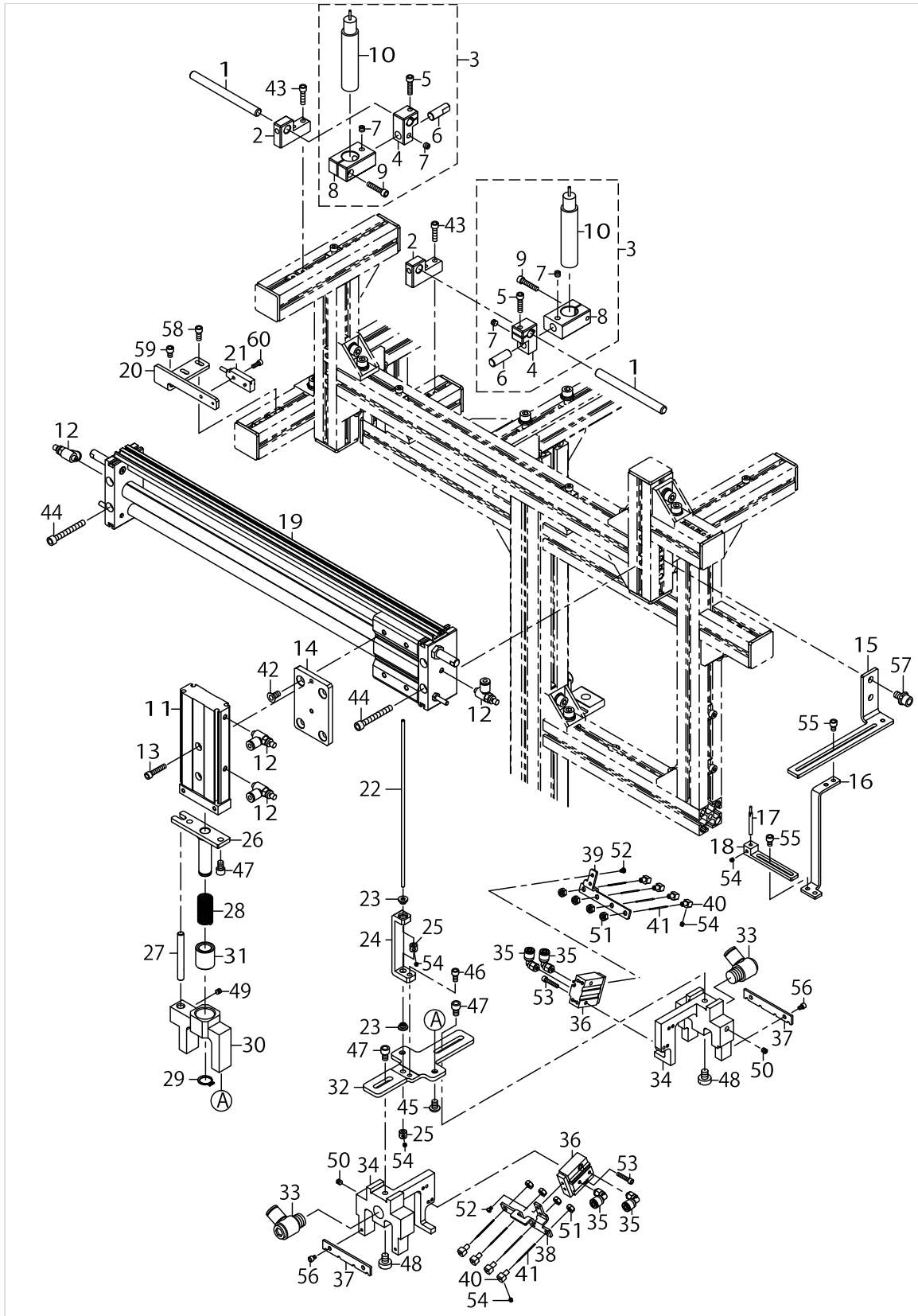
PICKUP COMPONENTS



PICKUP COMPONENTS

No.	Supply Code	Parts No.	Replacement	Parts name	Remarks	Choice	Step	Level	Cons	Qty	Rep. QTY
1		20104402		HANDLE						2	
2		40091171		MARKER_FIXED_ROD_HOLDER						2	
3		40111891		LED_MARKING_ASSY						2	
4		40091172		MARKER_FIXED_BLOCK				*		1	
5		SM6041602TP		SCREW M4X0.7 L=16				*		1	
6		40091173		MARKER_FIXED_SUB_ROD				*		1	
7		SM8050412TP		SCREW M5 L=4				*		2	
8		40067813		MARKER_BRACKET				*		1	
9		SM6042002TP		SCREW M4X0.7 L=20				*		1	
10		40090637		LED MARKING				*		1	
11		PA1505004A0		AIR CYLINDER						1	
12		PC010508000		SPEED CONTROLLER						4	
13		SM6042002TP		SCREW M4X0.7 L=20						2	
14		40180505		CYLINDER BASE						1	
15		40180508		BRACKET						1	
16		40180506		BRACKET						1	
17		HD002820010		SENSOR						1	
18		40180507		SENSOR_BASE						1	
19		PA1535001A0		RODLESS CYLINDER						1	
20		40180504		SENSOR_BRACKET						1	
21		70005172		CLOTH HEIGHT SENSOR ASSY						1	
22		40180621		SHAFT						1	
23		40180624		BUSHING						2	
24		40180503		UPPER_BLOCK						1	
25		40180623		COLLAR						2	
26		40180493		SHAFT_ASSY						1	
27		40180496		GUIDE						1	
28		40180627		SPRING						1	
29		RC1200001KP		C-RING 12 (11.1)						1	
30		40180500		BASE						1	
31		40180628		METAL						1	
32		40180502		BRACKET						1	
33		PJ304085204		UNIVERSAL ELBOW						2	
34		40180501		PAD_LARGE						2	
35		PJ304040301		UNION ELBOW JOINT						4	
36		PA060080200		AIR CYLINDER						2	
37		40182744		PLATE						2	
38		40180497		NEEDLE_HEAD_BRACKET_FRONT						1	
39		40180498		NEEDLE_HEAD_BRACKET_REAR						1	
40		40180499		NEEDLE_HEAD						8	
41		40180554		NEEDLE						8	
42		SM1051052TN		PLATE SCREW M5 L=10						4	
43		SM6041602TP		SCREW M4X0.7 L=16						4	
44		SM6054002TN		SCREW M5X0.8 L=40						4	
45		SM4050855SP		SCREW						2	
46		SM6040802TP		SCREW M4X0.7 L=8						1	

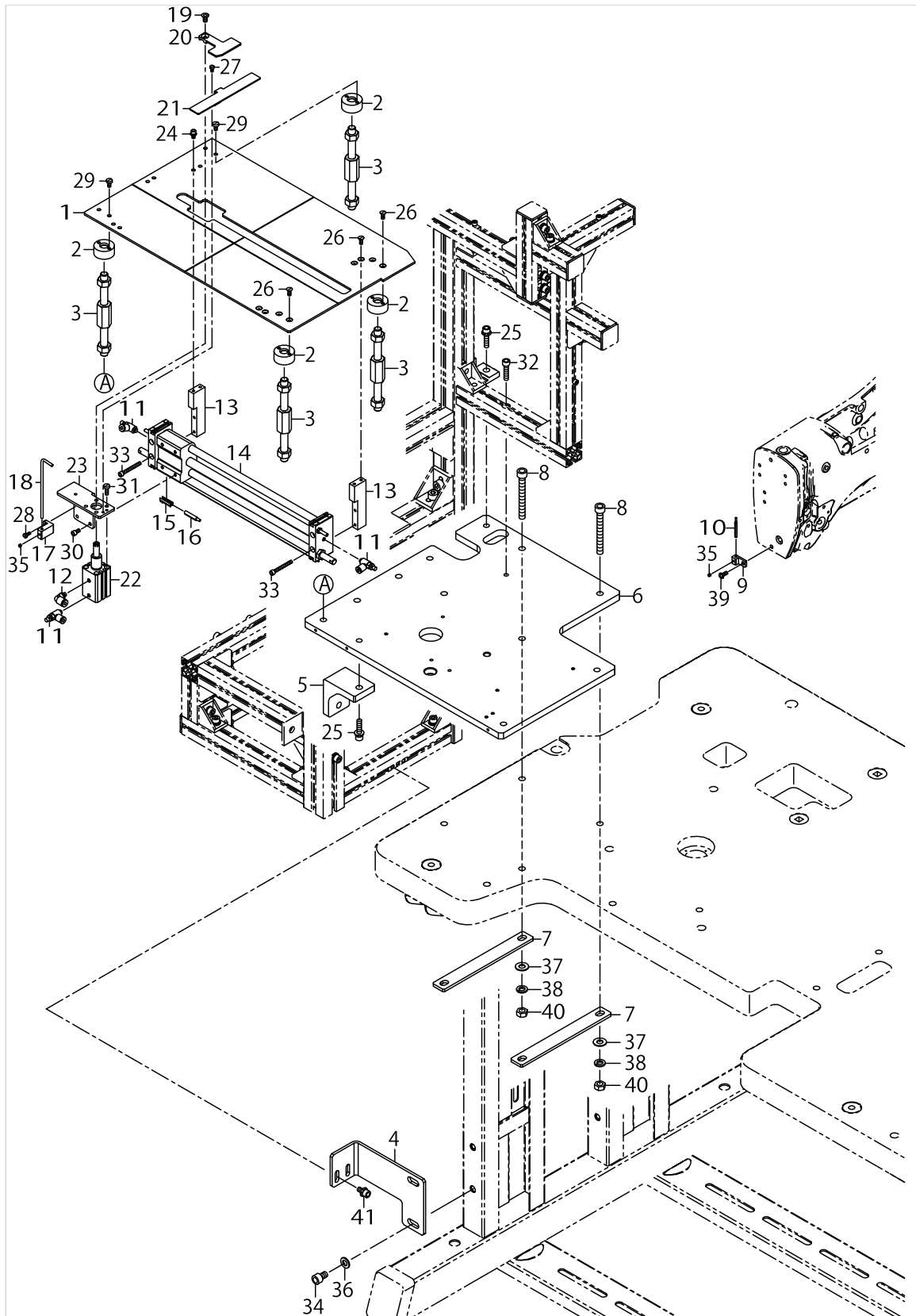
PICKUP COMPONENTS



PICKUP COMPONENTS

No.	Supply Code	Parts No.	Replacement	Parts name	Remarks	Choice	Step	Level	Cons	Qty	Rep. QTY
47		SM6050802TP		SCREW M5X0.8 L=8						4	
48		SM6060800SP		SCREW M6 L=8						2	
49		SM8040412TP		SCREW M4X4						1	
50		SM8050502TP		SCREW M5 L=5						2	
51		NM6040001SC		NUT M4X0.7 TYPE1						8	
52		SM4850455SP		SCREW						4	
53		SM6031602TP		SCREW						4	
54		SM8030312TP		SCREW M3 L=3						12	
55		SM6040602TN		SCREW						4	
56		SM6030402TP		SCREW M3X0.5 L=4						4	
57		SL6061292TN		SCREW						2	
58		SM6041002TN		BOLT						2	
59		SM6040602TN		BOLT						1	
60		SM6030802TP		SCREW M3X0.5 L=8						1	

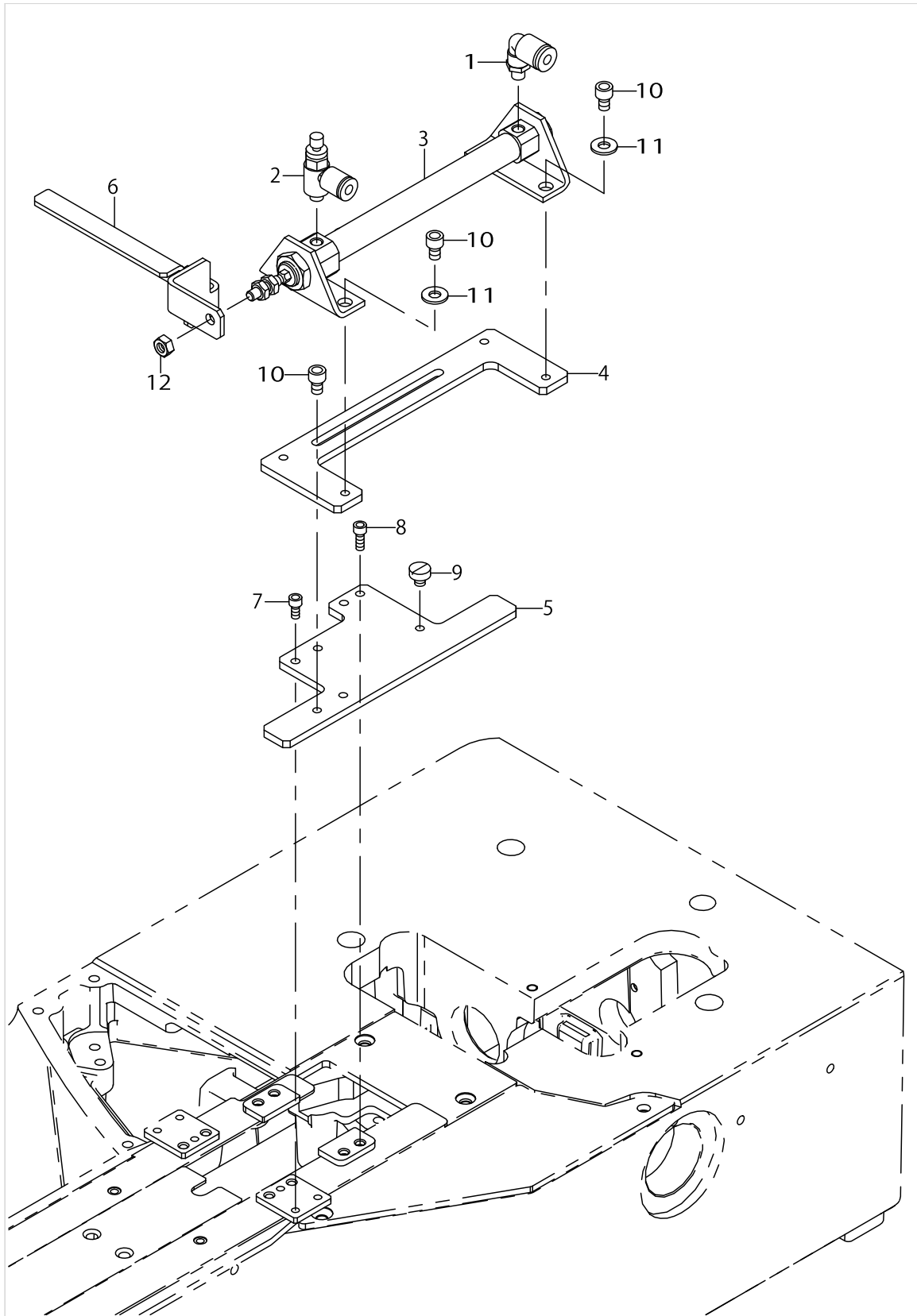
SHOE TONGUE LOADING COMPONENTS



SHOE TONGUE LOADING COMPONENTS

No.	Supply Code	Parts No.	Replacement	Parts name	Remarks	Choice	Step	Level	Cons	Qty	Rep. QTY
1		40180445		MIDDLE_TABLE						1	
2		40180453		BUSH						4	
3		40180631		ADJUSTING_BOLT_ASM						4	
4		40180460		BRACKET						1	
5		40180455		BRACKET						1	
6		40180446		BASE						1	
7		40180458		SUPPORT_PLATE						2	
8		SM6087002TN		SCREW M8 L=70						4	
9		40180457		SENSOR_BASE						1	
10		HD002820010		SENSOR						1	
11		PC010508000		SPEED CONTROLLER						3	
12		PJ304040504		UNION						1	
13		40180452		CYLINDER_SUPPORT_BLOCK						2	
14		PA1025001A0		AIR CYLINDER						1	
15		PX950016000		SENSOR BRACKET						1	
16		40184245		SENSOR ASSY						1	
17		40180459		TUBE_BLOCK						1	
18		40180456		TUBE						1	
19		SM1051052TN		PLATE SCREW M5 L=10						1	
20		40180448		PRESSOR_PLATE						1	
21		40180449		LOWER_PLATE						1	
22		PA160102000		AIR CYLINDER						1	
23		40180454		CYLINDER_BRACKET						1	
24		SL6040892TN		SCREW M4 L=8						2	
25		SL6082592TN		SCREW M8 L=25						2	
26		SM1040800SP		SCREW						6	
27		SM6030600SP		SCREW M3X0.5 L=6						2	
28		SM6030800SP		SCREW M3X0.5 L=8						2	
29		SM6040800SP		SCREW						4	
30		SM6040802TN		SCREW M4X0.7 L=8						4	
31		SM6041200SP		SCREW M4 L=12						4	
32		SM6062502TP		SCREW M6 L=25						1	
33		SM6043552TN		SCREW M4 L=35						4	
34		SM6081202TP		SCREW M8 L=12						2	
35		SM8030312TP		SCREW M3 L=3						2	
36		WP0841600SD		WASHER M8						2	
37		WP0851216SC		WASHER 8.5X18.0X1.2						4	
38		WS0820002KN		SPRING WASHER M8						4	
39		SM4041055SP		SCREW						1	
40		NM6080001SC		NUT M8X1.25						4	
41		SL6061292TN		SCREW						2	

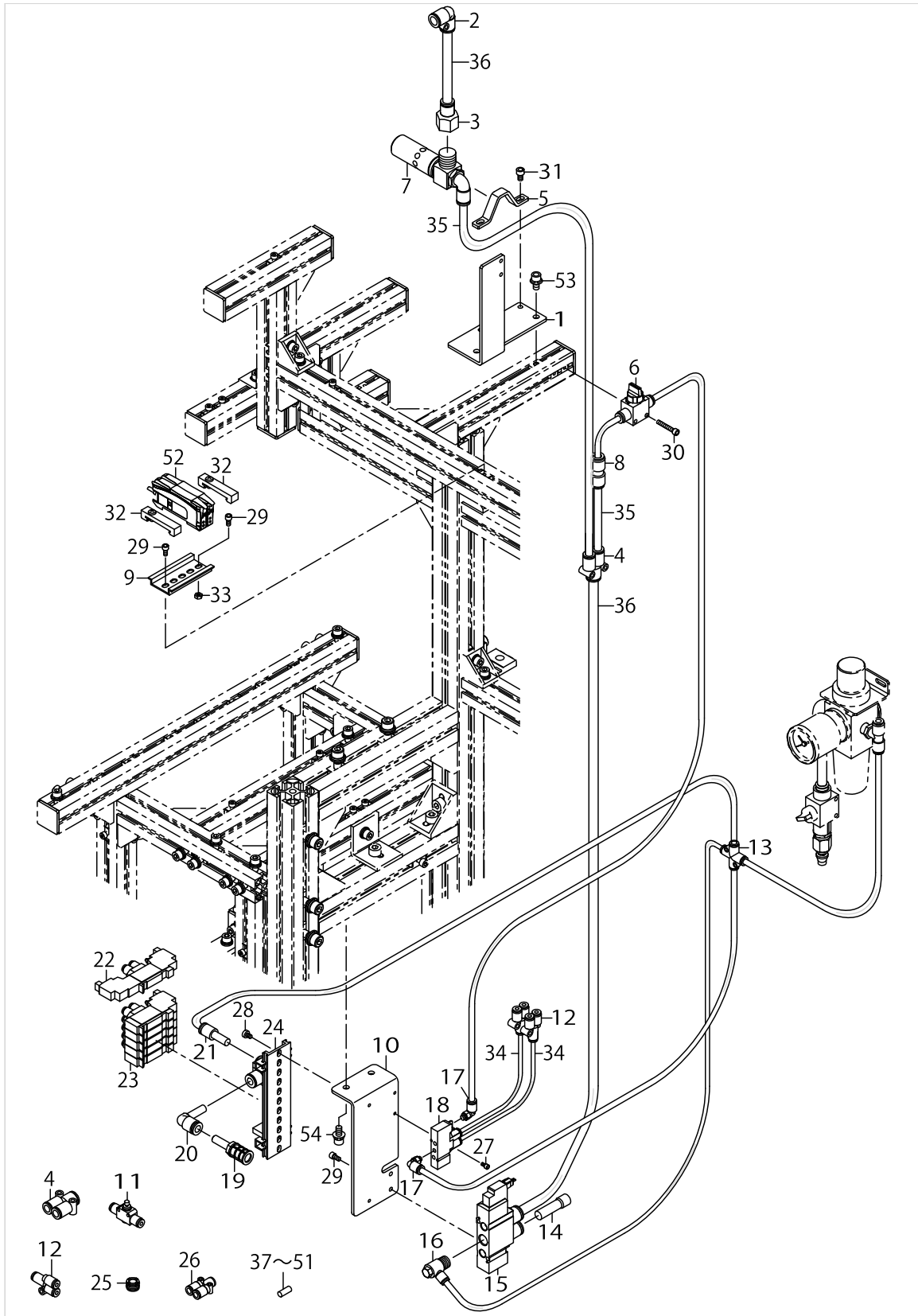
SHOE TONGUE DISCHARGE COMPONENTS



SHOE TONGUE DISCHARGE COMPONENTS

No.	Supply Code	Parts No.	Replacement	Parts name	Remarks	Choice	Step	Level	Cons	Qty	Rep. QTY
1		PJ304040504		UNION						1	
2		PC010508000		SPEED CONTROLLER						1	
3		PA1007504A0		AIR CYLINDER						1	
4		40180555		CYLINDER_SUPPORT						1	
5		40180557		PLATE						1	
6		40180558		PUSHER						1	
7		SM6030602TP		SCREW M3X0.5 L=6						2	
8		SM6030802TP		SCREW M3X0.5 L=8						2	
9		SM6040450TP		SCREW M4 L=4						1	
10		SM6040602TP		SCREW M4X0.7 L=6						6	
11		WP0451026SH		WASHER						4	
12		NM6040001SC		NUT M4X0.7 TYPE1						1	

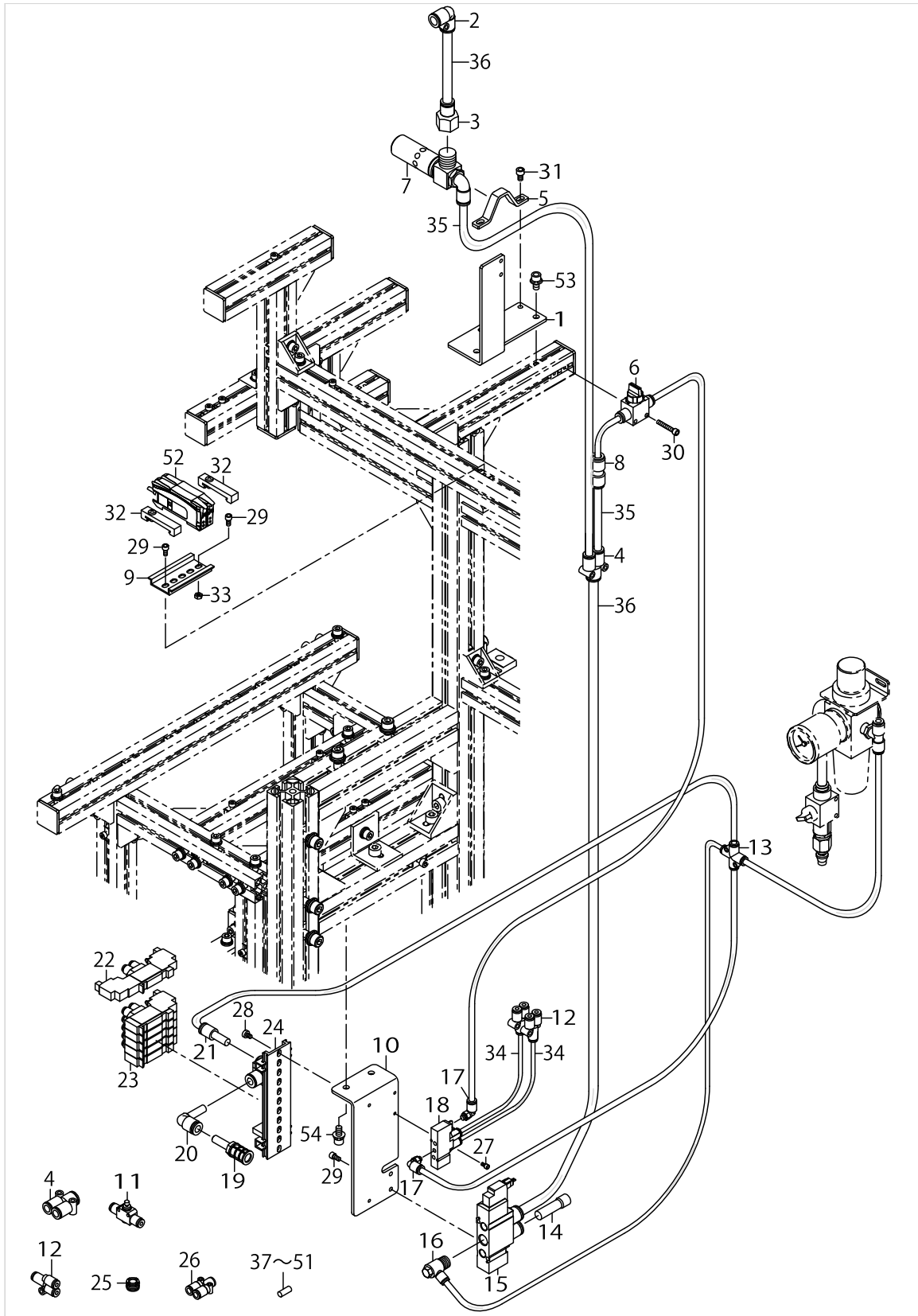
AIR COMPONENTS



AIR COMPONENTS

No.	Supply Code	Parts No.	Replacement	Parts name	Remarks	Choice	Step	Level	Cons	Qty	Rep. QTY
1		40180440		PLATE						1	
2		PJ304100005		ELBOW						1	
3		PJ301105301		FEMALE UNION						1	
4		40069259		DIFFERENT BORE UNION Y						2	
5		40180439		HOLDER						1	
6		PV010006000		HAND VALVE						1	
7		PV205302000		EJECTOR						1	
8		PJ303080002		STRAIGHT						1	
9		70005445		DIN RAIL						1	
10		40180441		SOLENOID_VALVE_FITTING_BASE						1	
11		PC012401000		SPEED CONTROLLER						1	
12		PJ308040002		QUICK JOINT						3	
13		PJ309060006		CROSS						1	
14		PX950004000		PLUG						1	
15		PV150218000		5-PORT SOLENOID VALVE						1	
16		PJ309065203		ELBOW UNION						1	
17		PJ304040505		UNION						2	
18		PV200204000		5-PORT AIR OPERATE VALVE						1	
19		PX050003000		SILENCER						1	
20		PJ304080004		PLUG-IN ELBOW						1	
21		PJ301060003		REDUCER						1	
22		PV150217000		5-PORT SOLENOID VALVE						1	
23		PV150209300		5-PORT SOLENOID VALVE						5	
24		PV915005000		SOLENOID VALVE I- NSTALLING BASE						1	
25		PV920008000		BUSH ASM						3	
26		PJ308060007		UNION Y						1	
27		SM6030602TP		SCREW M3X0.5 L=6						2	
28		SM6040600SP		SCREW M4 L=6						2	
29		SM6040802TP		SCREW M4X0.7 L=8						4	
30		SM6042502TN		SCREW M4X0.7 L=25						2	
31		SM6050802TP		SCREW M5X0.8 L=8						2	
32		70005446		END PLATE						2	
33		NM6040001SC		NUT M4X0.7 TYPE1						1	
34		BT0400251EB		URETHANE TUBE BLACK 4X2.5						22.7	
35		BT0800501EB		URETHANE TUBE BLACK 8X5						5.4	
36	D	BT1000651EB		URETHANE TUBE BLACK 10X6.5						1.3	
37		18035105		WIRE MARK (2)						4	
38		18035709		WIRE MARK (8)						4	
39		18035600		WIRE MARK (7)						4	
40		18036608		WIRE MARK (17)						4	
41		18037101		WIRE MARK (22)						4	
42	D	18037804		WIRE MARK (29)						4	
43		18038901		WIRE MARK (40)						8	
44		18039008		WIRE MARK (41)						4	
45		18039107		WIRE MARK (42)						4	
46		18039206		WIRE MARK (43)						4	

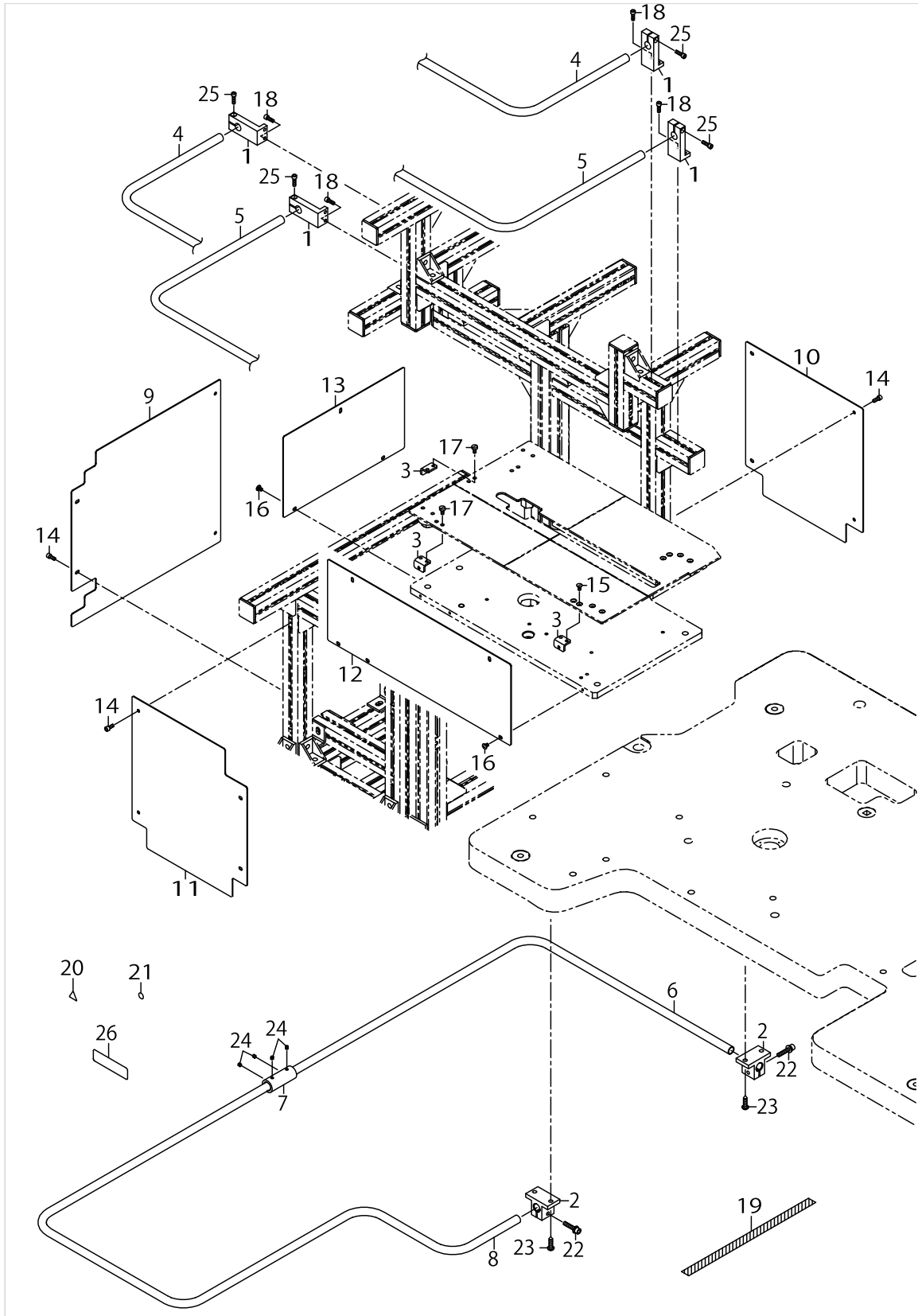
AIR COMPONENTS



AIR COMPONENTS

No.	Supply Code	Parts No.	Replacement	Parts name	Remarks	Choice	Step	Level	Cons	Qty	Rep. QTY
47		18039305		WIRE MARK (44)						4	
48		18039404		WIRE MARK (45)						4	
49		18039503		WIRE MARK (46)						10	
50		18039602		WIRE MARK (47)						10	
51	D	18039701		WIRE MARK (48)						4	
52		70005189		CLOTHSENSORASSY						1	
53		SL6061292TN		SCREW						2	
54		SL6061492TN		BOLT						2	

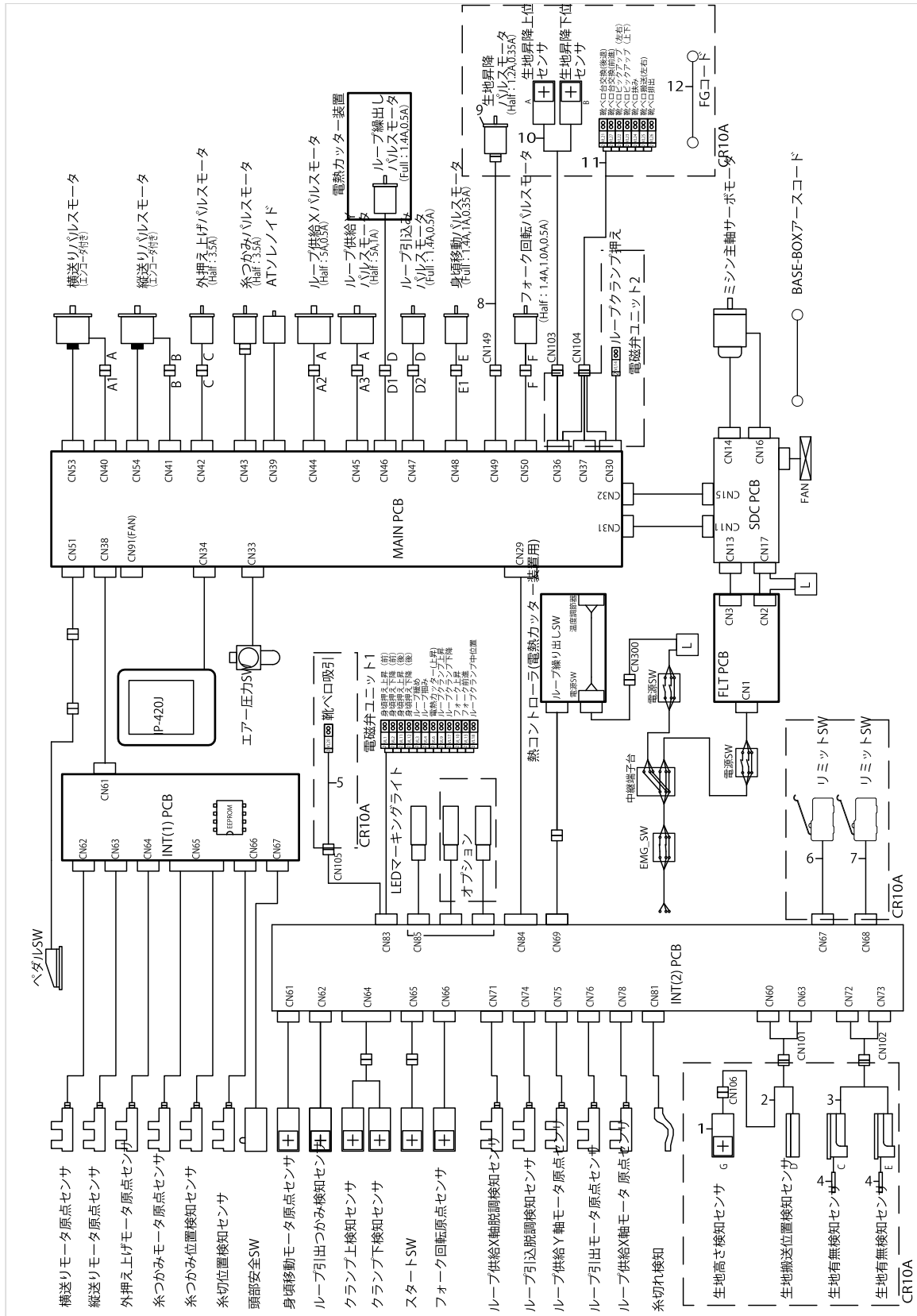
COVER COMPONENTS



COVER COMPONENTS

No.	Supply Code	Parts No.	Replacement	Parts name	Remarks	Choice	Step	Level	Cons	Qty	Rep. QTY
1		40180640		SHAFT_SUPPORT						4	
2		40182798		GUARD_SUPPORT						2	
3		40180447		COVER_BRACKET						3	
4		40180642		GUARD_MIDDLE_U						1	
5		40180641		GUARD_MIDDLE_L						1	
6		40182800		GUARD_REAR						1	
7		40182803		BUSH						1	
8		40182799		GUARD_FRONT						1	
9		40180560		MIDDLE_COVER						1	
10		40180561		REAR_COVER						1	
11		40180559		FRONT_COVER						1	
12		40180565		FRONT_COVER_B						1	
13		40180567		LEFT_COVER_B						1	
14		SM6041002TP		SCREW M4X0.7 L=10						12	
15		SM1040800SP		SCREW						2	
16		SM0040601SC		SCREW M4X0.7 L=6						8	
17		SM6040800SP		SCREW						4	
18		SM6041202TN		SCREW M4X0.7 L=12						8	
19		40058951		AREA_CAUTION_LABEL						2	
20		CM300200001		FINGER INJURY CAUTION LABEL (16)						1	
21		E9567319000		EARTH MARK						1	
22		SL6052592TN		SCREW M5 L=25						2	
23		SK3512001SE		WOOD SCREW D=5.1 L=20						4	
24		SM8040412TP		SCREW M4X4						4	
25		SM6041402TN		SCREW M4X0.7 L=14						4	
26		40183433		COMPLETE_NAME_LABEL						1	

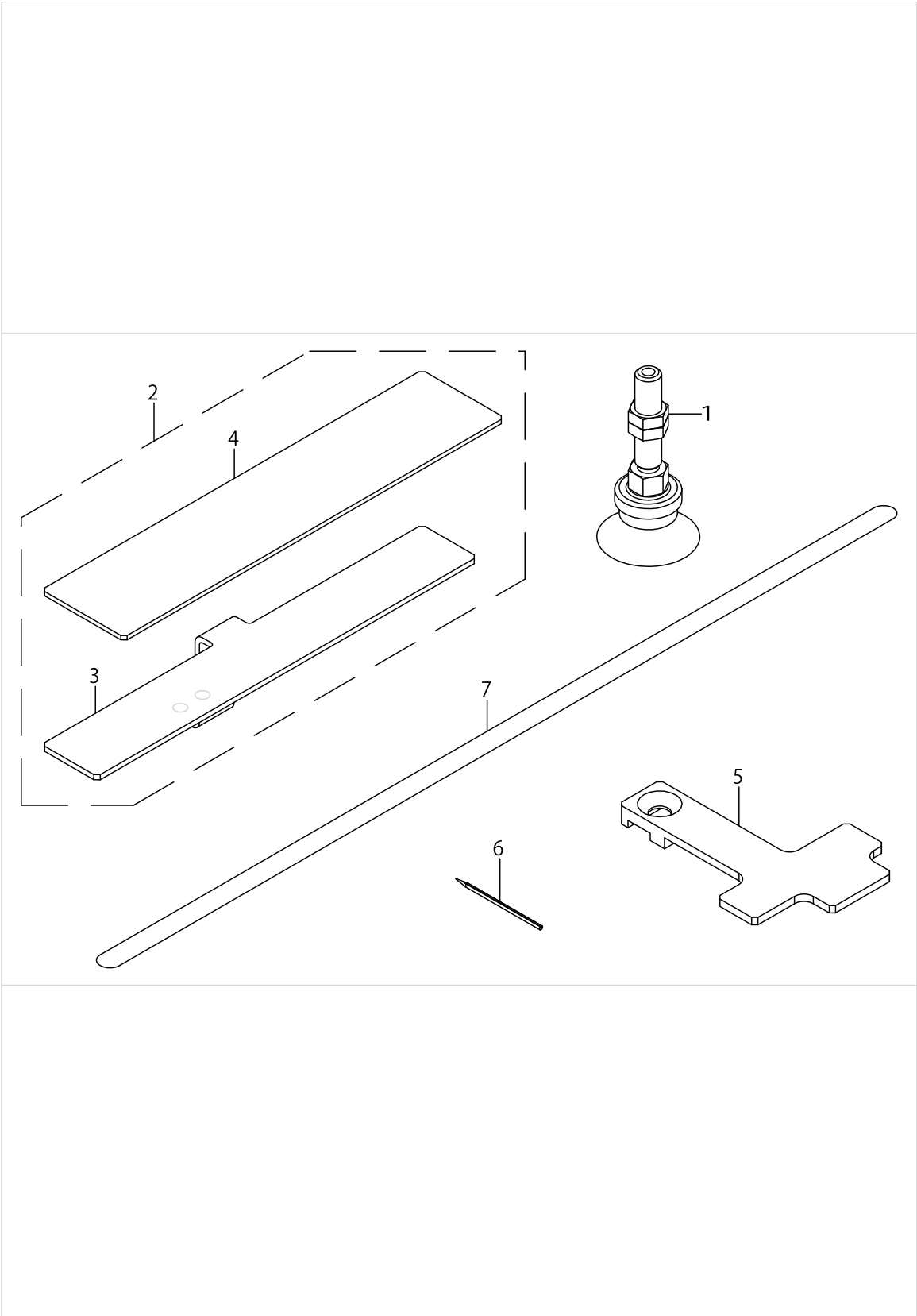
WIRING DIAGRAM



WIRING DIAGRAM

No.	Supply Code	Parts No.	Replacement	Parts name	Remarks	Choice	Step	Level	Cons	Qty	Rep. QTY
1		70005172		CLOTH HEIGHT SENSOR ASSY						1	
2		40184245		SENSOR ASSY						1	
3		70005189		CLOTHSENSORASSY						1	
4		HD002820010		SENSOR						2	
5		70005186		AIR SOLENOID VALVE CORD ASSY						1	
6		40182373		LIMIT SWITCH A CORD ASSY						1	
7		40182374		LIMIT SWITCH B CORD ASSY						1	
8		40180085		LOOP LOOSE MOTOR RELAY CORD ASSY						1	
9		40044473		ROLLER STACKER MOTOR						1	
10		70005187		FEED MOTOR U/D SENSOR ASSY						1	
11		70005185		AIR SOLENOID VALVE CORD ASSY						1	
12		40182359		FG CORD ASSY						1	

ACCESSORIE PARTS COMPONENTS



ACCESSORIE PARTS COMPONENTS

No.	Supply Code	Parts No.	Replacement	Parts name	Remarks	Choice	Step	Level	Cons	Qty	Rep. QTY
1		PX5000650A0		VACUUM PAD							2
2		40180584		LOWER_PLATE_S							1
3		40180585		LOWER_PLATE_A				*			1
4		40180586		PLATE				*			1
5		40180451		PRESSER_PLATE_S							1
6		40180554		NEEDLE							4
7		40039942		REFLECTION_SHEET							1

HOW TO MAKE USE OF THIS PARTS LIST

- 1.As to "#01" and "#02" refer to the "Note" given at the bottom of the respective pages.
- 2.Codes on the "Qty" column
 - Each numeral indicates the number of parts required.
 - "0.1" and "2.5" indicate the length (in meters) of the respective parts.
- 3.Parentheses mean that the corresponding part is a subpart that constructs an assembly part.
- 4.Dotted lines on the Figures indicate assembly parts.
- 5.As to the parts with marks of "☆"(Consumable parts)and "◎"(optional parts)on the respective parts, it is recommended to prepare spares.

1. リストページの#01、#02の印は、ページ下の"注記"の説明を参照下さい。
2. 数量欄の数字は、個数を表し、0.1、2.5等の数値は、長さ（単位メートル）を表します。
3. 数量欄の（ ）は、組部品を構成している子部品であることを意味します。
4. イラストページの-----枠は、組構成であることを意味します。
5. リストページの"☆"（消耗部品）、"◎"（オプション部品）の印が付いた部品は、予備を準備しておくことをお勧めします。

NUMERICAL INDEX OF PARTS

PART NO	PAGE	REF NO.	PART NO	PAGE	REF NO.	PART NO	PAGE	REF NO.
18035105	16	37~51	40180459	12	17	40180555	14	4
18035600	16	37~51	40180460	12	4	40180557	14	5
18035709	16	37~51	40180461	2	1	40180558	14	6
18036608	16	37~51	40180462	2	2	40180559	20	11
18037101	16	37~51	40180463	2	7	40180560	20	9
18037804	16	37~51	40180464	4	1	40180561	20	10
18038901	16	37~51	40180465	2	8	40180565	20	12
18039008	16	37~51	40180466	2	6	40180567	20	13
18039107	16	37~51	40180468	4	2	40180568	6	27
18039206	16	37~51	40180469	4	11	40180582	4	6
18039305	18	37~51	40180470	4	17	40180583	4	5
18039404	18	37~51	40180471	4	16	40180584	24	2
18039503	18	37~51	40180472	4	12	40180585	24	3
18039602	18	37~51	40180473	2	9	40180586	24	4
18039701	18	37~51	40180474	4	4	40180604	2	5
20104402	8	1	40180475	2	4	40180606	4	13
40010477	4	22	40180476	2	3	40180608	4	14
40039942	24	7	40180477	4	3	40180610	4	8
40044473	4	15	40180479	6	24	40180611	4	24
40044473	22	9	40180482	6	28	40180612	4	21
40058951	20	19	40180484	6	15	40180614	6	18
40067813	8	8	40180485	6	19	40180617	6	1
40069259	16	4	40180486	6	3	40180618	6	26
40090637	8	10	40180487	6	5	40180619	6	16
40091171	8	2	40180488	6	7	40180621	8	22
40091172	8	4	40180489	6	6	40180623	8	25
40091173	8	6	40180490	6	2	40180624	8	23
40111891	8	3	40180491	6	25	40180627	8	28
40180085	22	8	40180492	6	4	40180628	8	31
40180439	16	5	40180493	8	26	40180631	12	3
40180440	16	1	40180496	8	27	40180640	20	1
40180441	16	10	40180497	8	38	40180641	20	5
40180445	12	1	40180498	8	39	40180642	20	4
40180446	12	6	40180499	8	40	40182359	22	12
40180447	20	3	40180500	8	30	40182373	6	10
40180448	12	20	40180501	8	34	40182373	22	6
40180449	12	21	40180502	8	32	40182374	6	11
40180451	24	5	40180503	8	24	40182374	22	7
40180452	12	13	40180504	8	20	40182744	8	37
40180453	12	2	40180505	8	14	40182798	20	2
40180454	12	23	40180506	8	16	40182799	20	8
40180455	12	5	40180507	8	18	40182800	20	6
40180456	12	18	40180508	8	15	40182803	20	7
40180457	12	9	40180554	8	41	40183357	6	9
40180458	12	7	40180554	24	6	40183358	6	14

NUMERICAL INDEX OF PARTS

PART NO	PAGE	REF NO.	PART NO	PAGE	REF NO.	PART NO	PAGE	REF NO.
40183359	6	13	PJ303080002	16	8	SM1040800SP	12	26
40183360	6	12	PJ304040301	8	35	SM1040800SP	20	15
40183433	20	26	PJ304040504	12	12	SM1051052TN	8	42
40184245	12	16	PJ304040504	14	1	SM1051052TN	12	19
40184245	22	2	PJ304040505	16	17	SM4041055SP	12	39
70005172	8	21	PJ304080004	16	20	SM4050855SP	8	45
70005172	22	1	PJ304085204	8	33	SM4850455SP	10	52
70005185	22	11	PJ304100005	16	2	SM6021002TN	6	36
70005186	22	5	PJ308040002	16	12	SM6030402TN	2	13
70005187	4	18	PJ308060007	16	26	SM6030402TP	10	56
70005187	22	10	PJ309060006	16	13	SM6030600SP	12	27
70005189	18	52	PJ309065203	16	16	SM6030602TP	4	25
70005189	22	3	PV010006000	16	6	SM6030602TP	6	35
70005445	16	9	PV150209300	16	23	SM6030602TP	14	7
70005446	16	32	PV150217000	16	22	SM6030602TP	16	27
BT0400251EB	16	34	PV150218000	16	15	SM6030800SP	4	26
BT0800501EB	16	35	PV200204000	16	18	SM6030800SP	12	28
BT1000651EB	16	36	PV205302000	16	7	SM6030802TP	4	27
CM300200001	20	20	PV915005000	16	24	SM6030802TP	10	60
CS0800881TP	4	7	PV920008000	16	25	SM6030802TP	14	8
E9567319000	20	21	PX050003000	16	19	SM6031002TP	4	28
HD002820010	8	17	PX5000650A0	24	1	SM6031602TP	10	53
HD002820010	12	10	PX950004000	16	14	SM6040450TP	14	9
HD002820010	22	4	PX950016000	12	15	SM6040600SP	2	14
NM6040001SC	10	51	RC0150001KP	4	9	SM6040600SP	4	32
NM6040001SC	14	12	RC0560711KP	4	23	SM6040600SP	16	28
NM6040001SC	16	33	RC1200001KP	8	29	SM6040602TN	4	29
NM6080001SC	6	21	SB106000200	4	19	SM6040602TN	10	59
NM6080001SC	12	40	SB706000100	4	20	SM6040602TP	14	10
NM6160001SC	6	17	SB708000100	4	10	SM6040800SP	2	10
PA060080200	8	36	SB716000100	6	8	SM6040800SP	12	29
PA1007504A0	14	3	SK3512001SE	20	23	SM6040800SP	20	17
PA1025001A0	12	14	SL6040892TN	12	24	SM6040802TN	12	30
PA1505004A0	8	11	SL6051092TN	6	29	SM6040802TP	2	11
PA1535001A0	8	19	SL6052592TN	20	22	SM6040802TP	8	46
PA160102000	12	22	SL6061292TN	4	36	SM6040802TP	16	29
PA2025003A0	6	23	SL6061292TN	6	41	SM6041002TN	6	39
PA900063000	6	22	SL6061292TN	10	57	SM6041002TN	10	58
PC010508000	8	12	SL6061292TN	12	41	SM6041002TP	4	35
PC010508000	12	11	SL6061292TN	18	53	SM6041002TP	20	14
PC010508000	14	2	SL6061492TN	6	38	SM6041200SP	12	31
PC012401000	16	11	SL6061492TN	18	54	SM6041202TN	20	18
PC015108000	6	20	SL6082092TN	6	40	SM6041402TN	6	30
PJ301060003	16	21	SL6082592TN	12	25	SM6041402TN	20	25
PJ301105301	16	3	SM0040601SC	20	16	SM6041602TP	8	43

NUMERICAL INDEX OF PARTS

PART NO	PAGE	REF NO.
SM6042002TP	8	13
SM6042502TN	16	30
SM6043552TN	12	33
SM6050800SP	2	12
SM6050800SP	6	31
SM6050802TP	10	47
SM6050802TP	16	31
SM6051002TP	6	32
SM6052502TP	6	33
SM6054002TN	8	44
SM6060800SP	10	48
SM6062502TP	12	32
SM6081202TP	12	34
SM6087002TN	12	8
SM8030312TP	4	30
SM8030312TP	10	54
SM8030312TP	12	35
SM8030412TP	4	34
SM8040412TP	4	31
SM8040412TP	10	49
SM8040412TP	20	24
SM8050412TP	8	7
SM8050502TP	10	50
SM8050512TP	4	33
WP0451026SH	14	11
WP0651646SC	6	34
WP0841600SD	12	36
WP0851216SC	12	37
WS0820002KN	12	38