

MODEL : DDL-9000C-F

List No : 1696-01

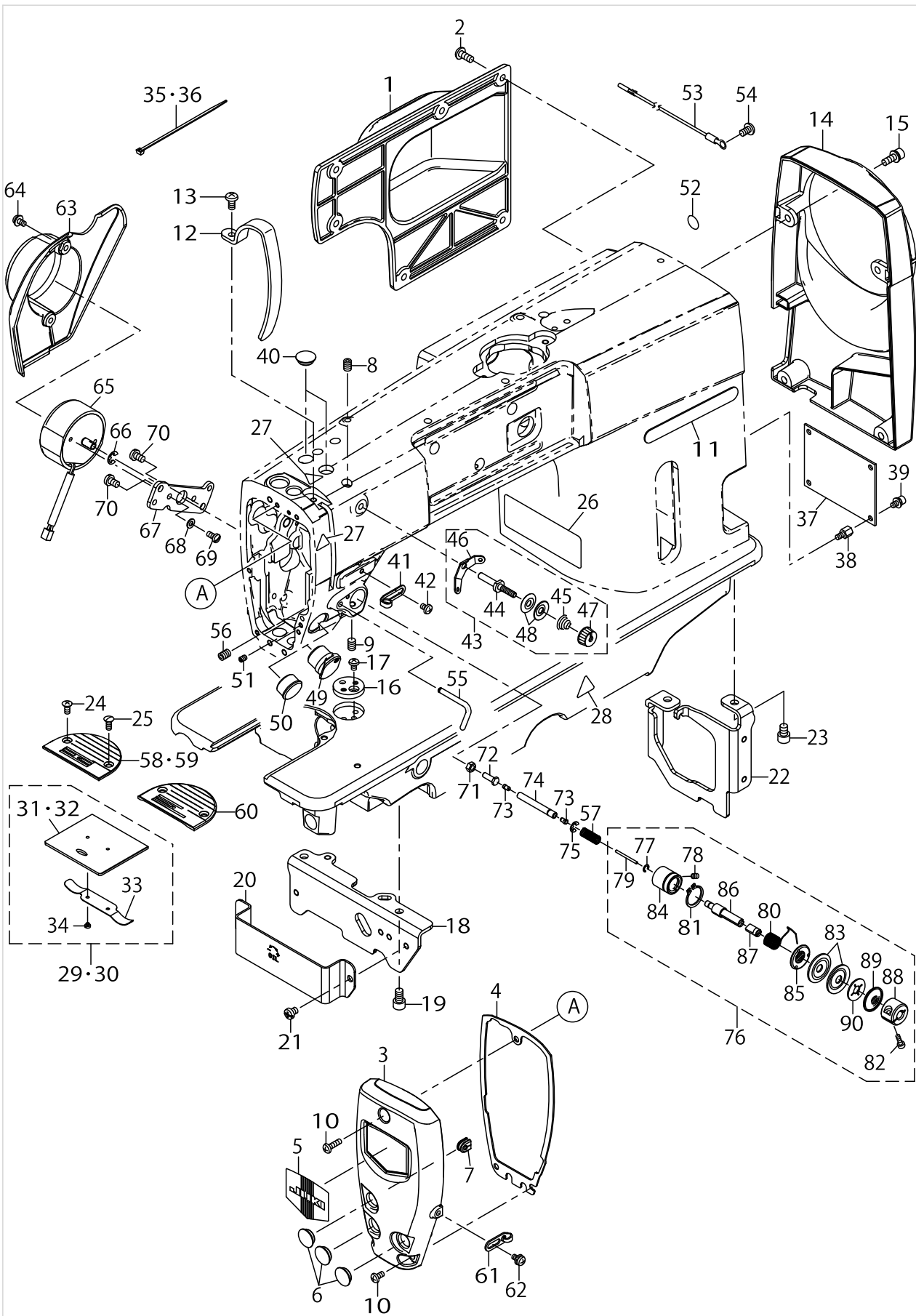
PARTS LIST

Published:05/12/2017

CONTENTS

MACHINE FRAME & MISCELLANEOUS COVER COMPONENTS	1
BOBBIN WINDER COMPONENTS.....	7
MAIN SHAFT & NEEDLE BAR COMPONENTS.....	9
HAND LIFTER COMPONENTS.....	13
FEED ADJUST MECHANISM COMPONENTS	17
VERTICAL FEED COMPONENTS	21
HOOK DRIVING COMPONENTS.....	25
THREAD TRIMMER COMPONENTS	27
OIL LUBRICATION COMPONENTS	33
AUTOMATIC REVERSE FEED COMPONENTS.....	37
OPERATION PANEL COMPONENTS	39
THREAD STAND COMPONENTS.....	41
UNDER COVER COMPONENTS	43
ACCESSORIE PART COMPONENTS.....	45
EXCLUSIVE PARTS DDL-9000C-FSH.....	47
TABLE & STAND COMPONENTS.....	49
SPECIAL ORDER PARTS	51
LIST FOR INFORMATION OF CHANGE.....	53
HOW TO MAKE USE OF THIS PARTS LIST	54

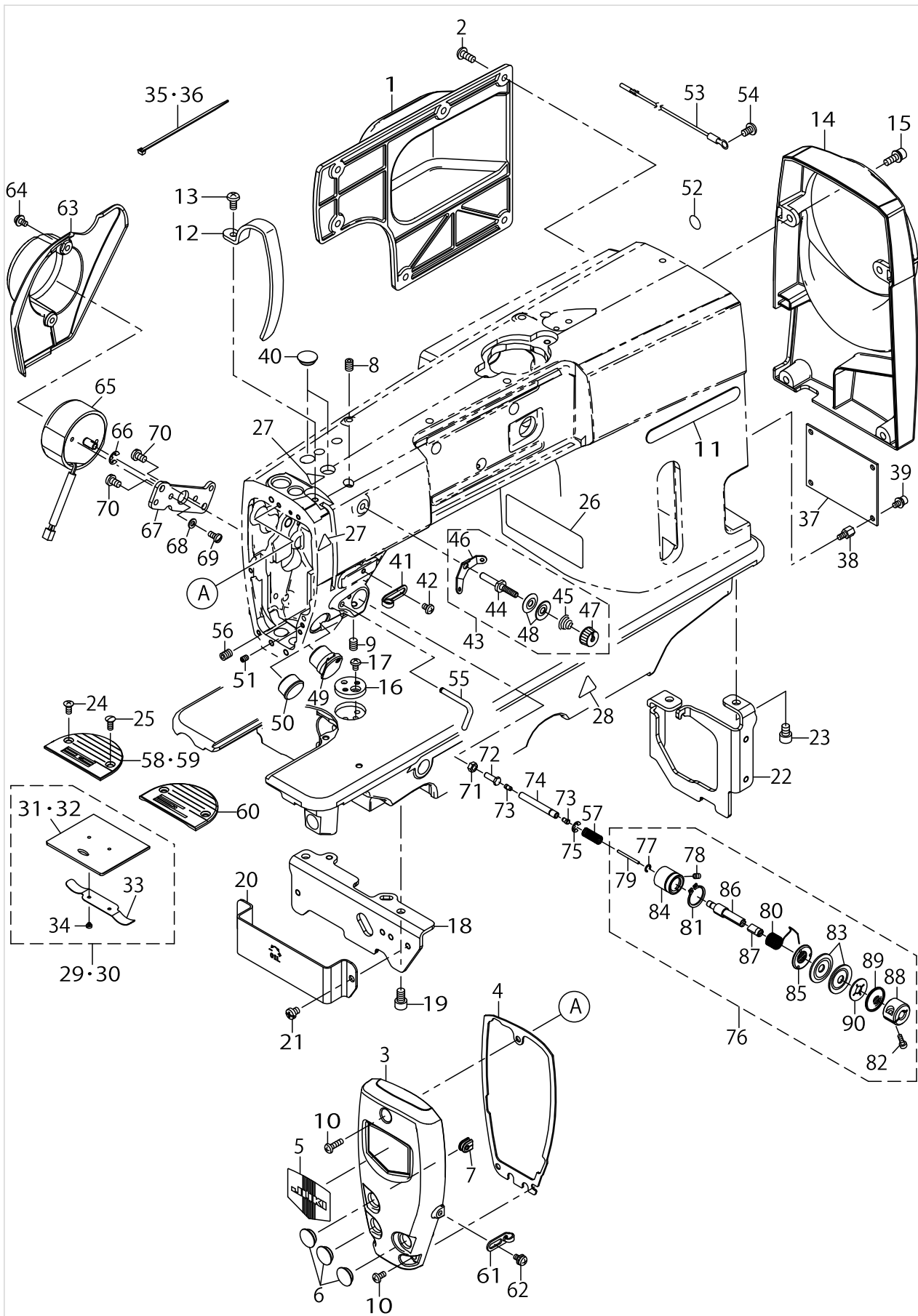
MACHINE FRAME & MISCELLANEOUS COVER COMPONENTS



MACHINE FRAME & MISCELLANEOUS COVER COMPONENTS

No.	Supply Code	Parts No.	Replacement	Parts name	Remarks	Choice	Step	Level	Cons	Qty	Rep. QTY
1		40172364		AK_COVER						1	
2		SM4051255SP		SCREW M5 L=12						6	
3		40172371		FACE_COVER						1	
4		40172373		FACE_COVER_PACKING						1	
5		40172374		FACE_COVER_PLATE						1	
6		TA1250406R0		RUBBER PLUG D=12.5 L=4						3	
7		40139753		CORD_CLAMP_RUBBER						1	
8		SM80608A2TP		SCREW M6 L=8						1	
9		SM80608A2TP		SCREW M6 L=8						1	
10		SM4041455SN		SCREW M4 L=14						3	
11		40172375		EMBLEM_JUKI_SMART_SOLUTIONS						1	
12		40172376		THREAD_TAKE_UP_COVER						1	
13		SM4051055SP		SCREW						1	
14		40172366		PULLEY_COVER						1	
15		SL6051492TN		BOLT						4	
16		40035589		RULER PLATE						1	
17		SM4040855SP		SCREW						1	
18		40172391		BED_BRACKET_A						1	
19		SM6060802TP		SCREW M6 L=8						2	
20		40174305		SAFETY_GUIDE						1	
21		SM4050655SP		SCREW M5 L=6						2	
22		40172392		BED_BRACKET_B						1	
23		SM6060802TP		SCREW M6 L=8						2	
24		SM2040955TP		SCREW M4 L=8.5					☆	1	
25		SM2040750TP		SCREW M4 L=7.4					☆	1	
26		40102261		SAFETY_LABEL_S						1	
27		CM300200001		FINGER INJURY CAUTION LABEL (16)						2	
28		CM300200003		FINGER INJURY CAUTION LABEL (31.5)						1	
29		40172369		SLIDE_PLATE_B_ASM						1	
30		40172367		SLIDE_PLATE_A_ASM	FOR S_EE					1	
31		40172370		SLIDE_PLATE_B				*		1	
32		40172368		SLIDE_PLATE_A				*		1	
33		22901300		SLIDE PLATE SPRING				*		1	
34		SS6060210SP		SCREW 3/32-56 L=1.9				*		2	
35		KX000000230		RELEASIBLE CABLE TIE						1	
36		EA9500B0100		CABLE BAND						7	
37		40172390		INT PCB ASSY						1	
38		HX00339000E		SPACER						4	
39		SL6040892TN		BOLT						4	
40		TA1250406R0		RUBBER PLUG D=12.5 L=4						2	
41		23626104		ARM_THREAD_GUIDE_A						1	
42		SM5040655SN		SCREW						1	
43		22963458		THREAD TENSION ASM.						1	
44		22945414		THREAD TENSION POST				*		1	
45	R	22963409	22963458	THREAD TENSION SPRING				*		1	1.00

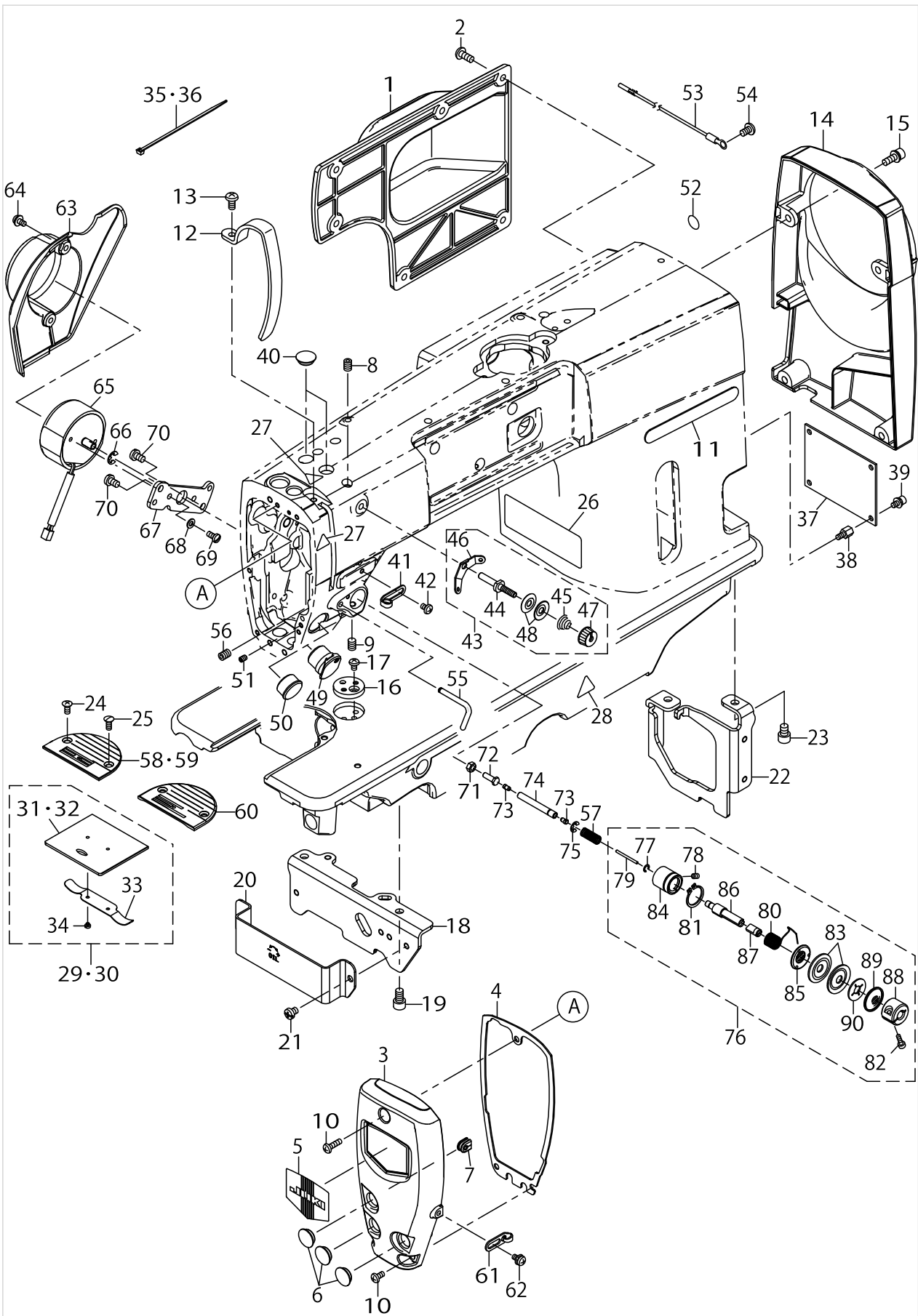
MACHINE FRAME & MISCELLANEOUS COVER COMPONENTS



MACHINE FRAME & MISCELLANEOUS COVER COMPONENTS

No.	Supply Code	Parts No.	Replacement	Parts name	Remarks	Choice	Step	Level	Cons	Qty	Rep. QTY
46	R	22945604	22963458	THREAD TENSION GUIDE		A	DDL8700H--7/8700J--7/9000B, DLN6390-7	*		1	1.00
46	R	22945604	22945463	THREAD TENSION GUIDE		B	DDL8700-7 and so on	*		1	1.00
47		22945703		THREAD TENSION NUT				*		1	
48		22945802		THREAD TENSION DISK				*		2	
49		40174373		THREAD NIPPER SOLENOID	FOR NB					1	
50		40174392		ARM_CAP	FOR 0B					1	
51		SM8040612TP		SCREW M4 L=6						1	
52		22901805		GROUND MARK						1	
53		40174385		GROUND WIRE ASM.						1	
54		SM4050655SP		SCREW M5 L=6						1	
55		40052933		ARMTHREADGUIDE C						1	
56		SM80608A2TP		SCREW M6 L=8						1	
57		22920409		THREAD RELEASE PIN SPRING						1	
58		B1109552000		THROAT PLATE	FOR S_GG					1	
59		B110901210B		THROAT PLATE (I)	FOR S_AA					1	
60		11028008		THROAT PLATE	FOR S_EE					1	
61		40009037		TAKE-UP THREAD GUIDE						1	
62		SL4040881SC		SCREW M4 L=8						1	
63		40172384		AT_COVER						1	
64		SL4041281SC		SCREW M4X0.7 L=12						2	
65		40174350		AT_SOLENOID_A						1	
66		RE0500000K0		E-RING						1	
67		40172476		AT_SOLENOID_FITTING_PLATE						1	
68		WP0410846SC		WASHER						2	
69		SM7040800SL		SCREW						2	
70		SM4050855SP		SCREW						2	
71		NM6040000SN		NUT M4						1	
72		40174311		SCREW						1	
73		26201004		PIN GUIDE						2	
74		40172475		THREAD_TENSION_SHAFT						1	
75		RE0400000K0		E-RING 4						1	
76		40172470		THREAD_TENSION_ASM.						1	
77		RC0410415KP		C-RING				*		1	
78		SM8040612TP		SCREW M4 L=6				*		1	
79		B3118552H00		THREAD RELEASE PIN				*		1	
80		22921605		THREAD TAKE-UP SPRING				*	☆	1	
81		RC1700001KP		C-RING				*		1	
82		SM6031002TN		SCREW M3 L=10				*		1	
83		22921506		THREAD TENSION DISK				*		2	
84		40174313		TENSION_POST_BASE_ASM				*		1	
85		40126724		TENSION_DISC HOLDER				*		1	
86		40172472		AT_SHAFT				*		1	
87		40172473		DISK_STOPPER HOLDER_CAP_PIN				*		1	
88		40172474		DISK_STOPPER HOLDER_CAP				*		1	

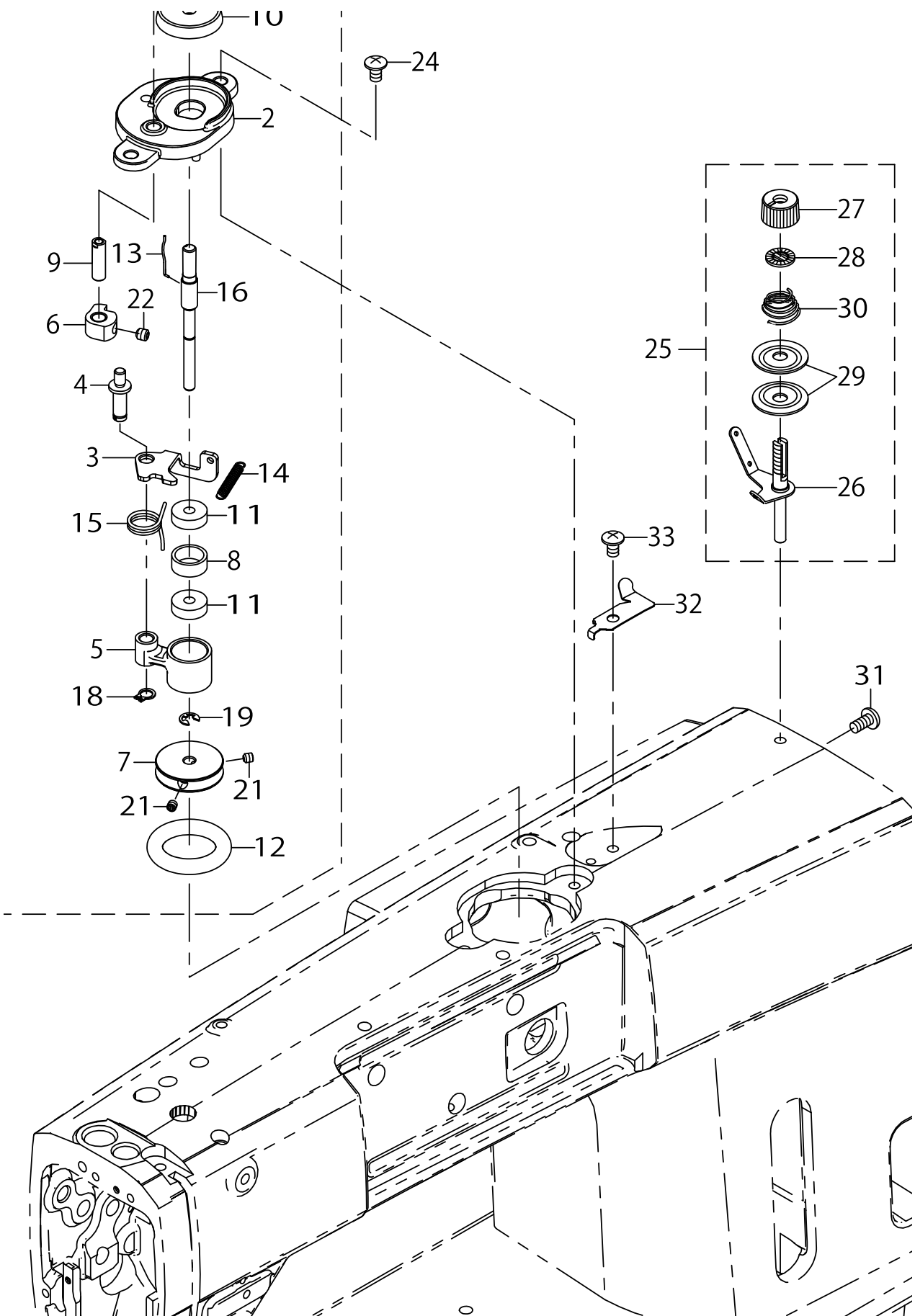
MACHINE FRAME & MISCELLANEOUS COVER COMPONENTS



MACHINE FRAME & MISCELLANEOUS COVER COMPONENTS

No.	Supply Code	Parts No.	Replacement	Parts name	Remarks	Choice	Step	Level	Cons	Qty	Rep. QTY
89		B3132012000		TENSION DISC HOLDER				*		1	
90		40174312		THREAD_TENSION_DISK_RUBBER				*	☆	1	

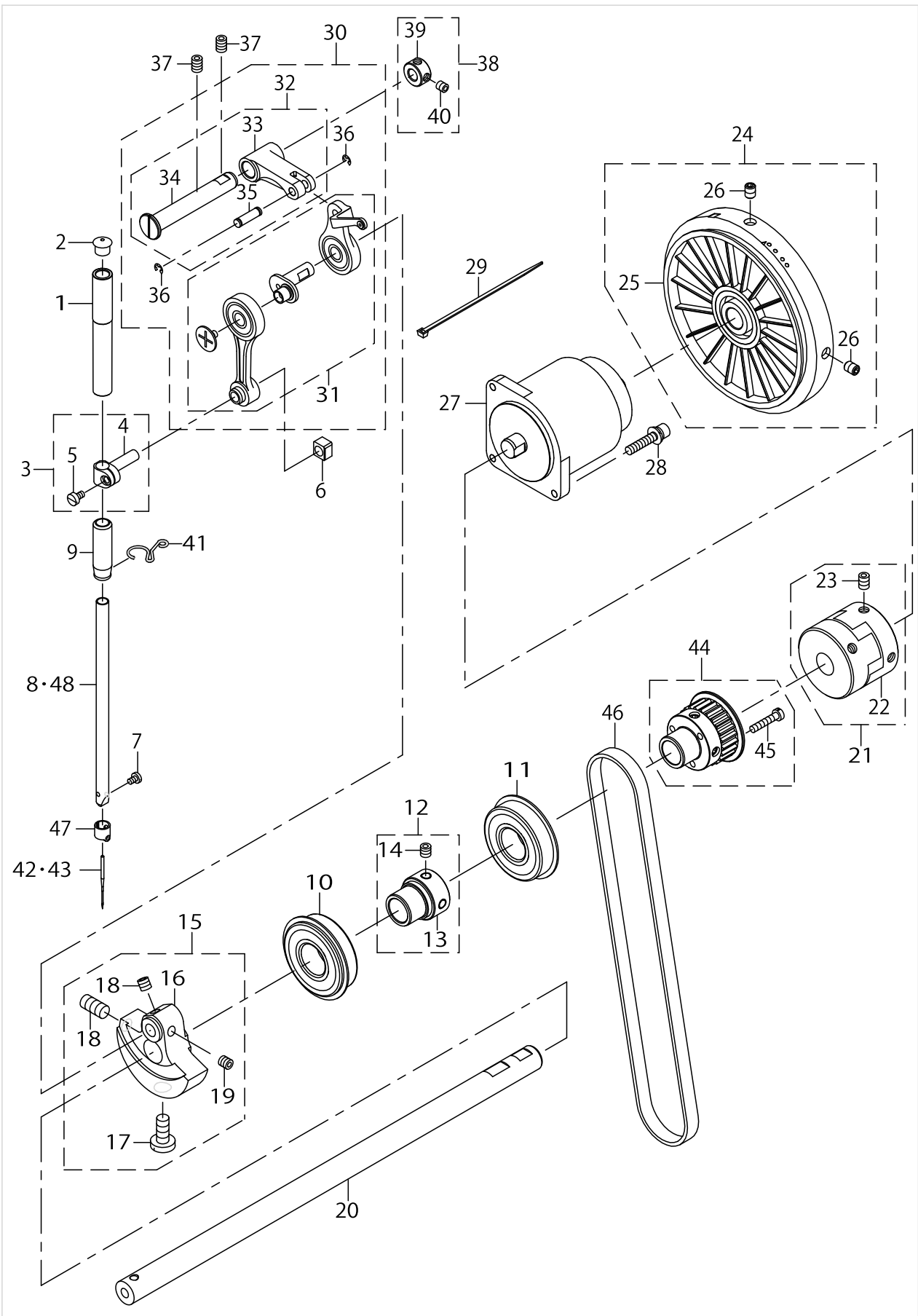
BOBBIN WINDER COMPONENTS



BOBBIN WINDER COMPONENTS

No.	Supply Code	Parts No.	Replacement	Parts name	Remarks	Choice	Step	Level	Cons	Qty	Rep. QTY
1		40172380		BOBBIN_WINDER_UNIT						1	
2		40172381		BTW_BASE				*		1	
3		26260208		BTW_CAM_PLATE				*		1	
4		26260307		BTW_BASE_SHAFT				*		1	
5		26260406		BTW_SHAFT_BASE				*		1	
6		26260505		BTW_CAM_LEVER				*		1	
7		26260604		BTW_WHEEL				*		1	
8	R	26260802	26260000	BTW_BEARING_SPACER				*		1	1.00
9		40172383		BTW_LEVER_SHAFT				*		1	
10		26261206		BTW_SPACER				*		1	
11	R	26261305	26260000	BTW_BEARING				*		2	1.00
12		26261503		BTW_WHEEL_RUBBER				*	☆	1	
13		26261602		BOBBIN_SPRING				*	☆	1	
14		26261701		BTW_SPRING				*		1	
15		40011144		BTW_TORSION_SPRING				*		1	
16		40172382		BTW_SHAFT				*		1	
17		40172417		BTW_LEVER				*		1	
18		RC0560711KP		C-RING 6(5.6)				*		1	
19		RE0400000K0		E-RING 4				*		1	
20		SM5040655SN		SCREW				*		1	
21		SM8040412TP		SET SCREW M4 L=4				*		2	
22		SM8050502TP		SCREW M5 L=5				*		1	
23		WP0450826SC		WASHER 4.5X10X0.8				*		1	
24		SM0050801SC		SCREW						2	
25		40088958		BOBBIN THREAD TENSION ASM.						1	
26		40088959		BOBBIN THREAD TENSION ROD ASM.				*		1	
27		22921308		THREAD TENSION NUT				*		1	
28		22921407		ROTATION STOPPER				*		1	
29		22921506		THREAD TENSION DISK				*		2	
30		22921704		THREAD TENSION SPRING				*		1	
31		SM4051055SP		SCREW						1	
32		40037008		THREAD_CUTTER						1	
33		SM0050801SC		SCREW						1	

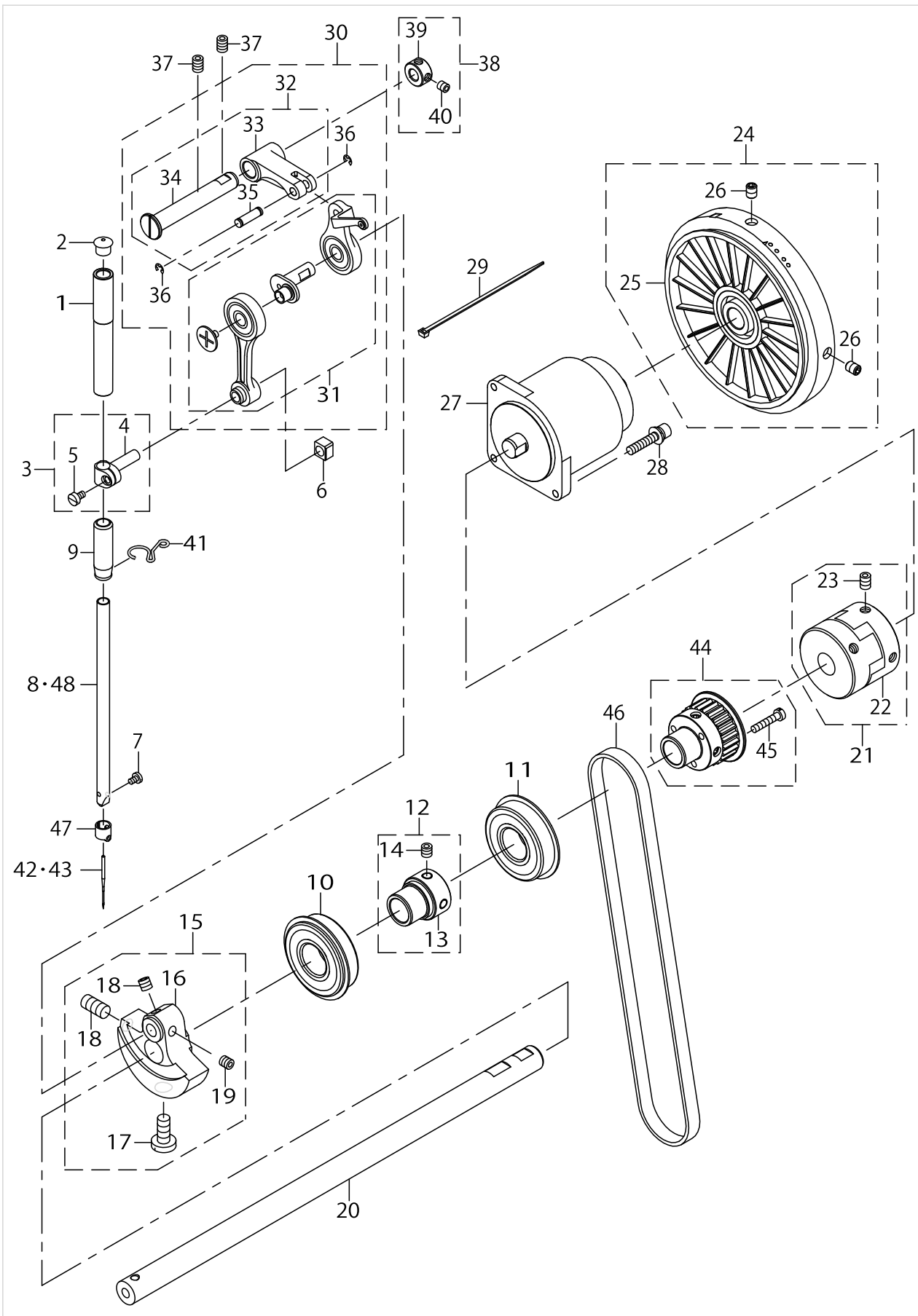
MAIN SHAFT & NEEDLE BAR COMPONENTS



MAIN SHAFT & NEEDLE BAR COMPONENTS

No.	Supply Code	Parts No.	Replacement	Parts name	Remarks	Choice	Step	Level	Cons	Qty	Rep. QTY
1		40172399		NEEDLE_BAR_BUSHING_UPPER						1	
2		22901409		NEEDLE BAR UPPER BUSH CAP						1	
3		22906457		NEEDLE BAR HOLDER ASM.						1	
4	R	22906408	22906457	NEEDLERODHOLDER				*		1	1.00
5		SS6090670TP		SCREW 9/64-40 L=6				*		1	
6		40090058		SLIDE BLOCK						1	
7		SS7080510TP		SCREW 1/8-44 L=4.5					☆	1	
8		40086602		NEEDLE_BAR_D_(A)	FOR GG/EE/AA					1	
9		40086605		NEEDLE_BAR_LOWER_METAL_MD						1	
10		SB120002700		BEARING						1	
11		SB120002700		BEARING						1	
12		40044857		FRONT BEARING SUPPORT ASM.						1	
13		23605207		MAIN SHAFT BEARING SUPPORT				*		1	
14		SM80608A2TP		SCREW M6 L=8				*		2	
15		40135904		ASSY_COUNTER WEIGHT						1	
16	R	40135916	40135904	COUNTER WEIGHT				*		1	1.00
17		40004171		COUNTER_WEIGHT_SCREW				*		1	
18		SM8081652TP		SCREW M8 L=16				*		1	
19		SM80606A2TP		SCREW M6 L=6				*		2	
20		40086597		MAIN_SHAFT						1	
21		40172398		COUPLING_ASM.						1	
22		40172393		COUPLING				*		1	
23		SM80608A2TP		SCREW M6 L=8				*		4	
24		40172418		HAND_WHEEL_ASM.						1	
25		40172377		HAND_WHEEL				*		1	
26		SM80608A2TP		SCREW M6 L=8				*		2	
27		40172146		AC_SERVO_MOTOR						1	
28		SL6052592TN		BOLT						3	
29		EA9500B0100		CABLE BAND						2	
30		40174341		THREAD_TAKE_UP_COMP.						1	
31	R	40135905	40174341	THREAD_TAKE_UP_ASM_C				*		1	1.00
32		40174342		TAKE_UP_CRANK_ASM.				*		1	
33		40174343		TAKE_UP_CRANK				*		1	
34		40174344		TAKE_UP_CRANK_SHAFT				*		1	
35		40135907		THREAD_TAKE_UP_PIN				*		1	
36		RE0300000K0		E-RING 3				*		2	
37		SM80608A2TP		SCREW M6 L=8						2	
38		40032269		THRUST COLLAR						1	
39		CS1000881TP		THRUST COLLAR				*		1	
40		SM80506A2TP		SCREW M5 L=6				*		2	
41		40174349		NEEDLE BAR THREAD GUIDE						1	
42		MDB100B1100		NEEDLE DBX1 #11					☆	1	
43		MDB100B1400		NEEDLE DBX1 #14	FOR S_GG				☆	1	
44		40141440		UPPER SPROCKET ASM.						1	
45		SM6042000SP		SCREW				*		3	
46		40086731		TIMING_BELT_550						1	

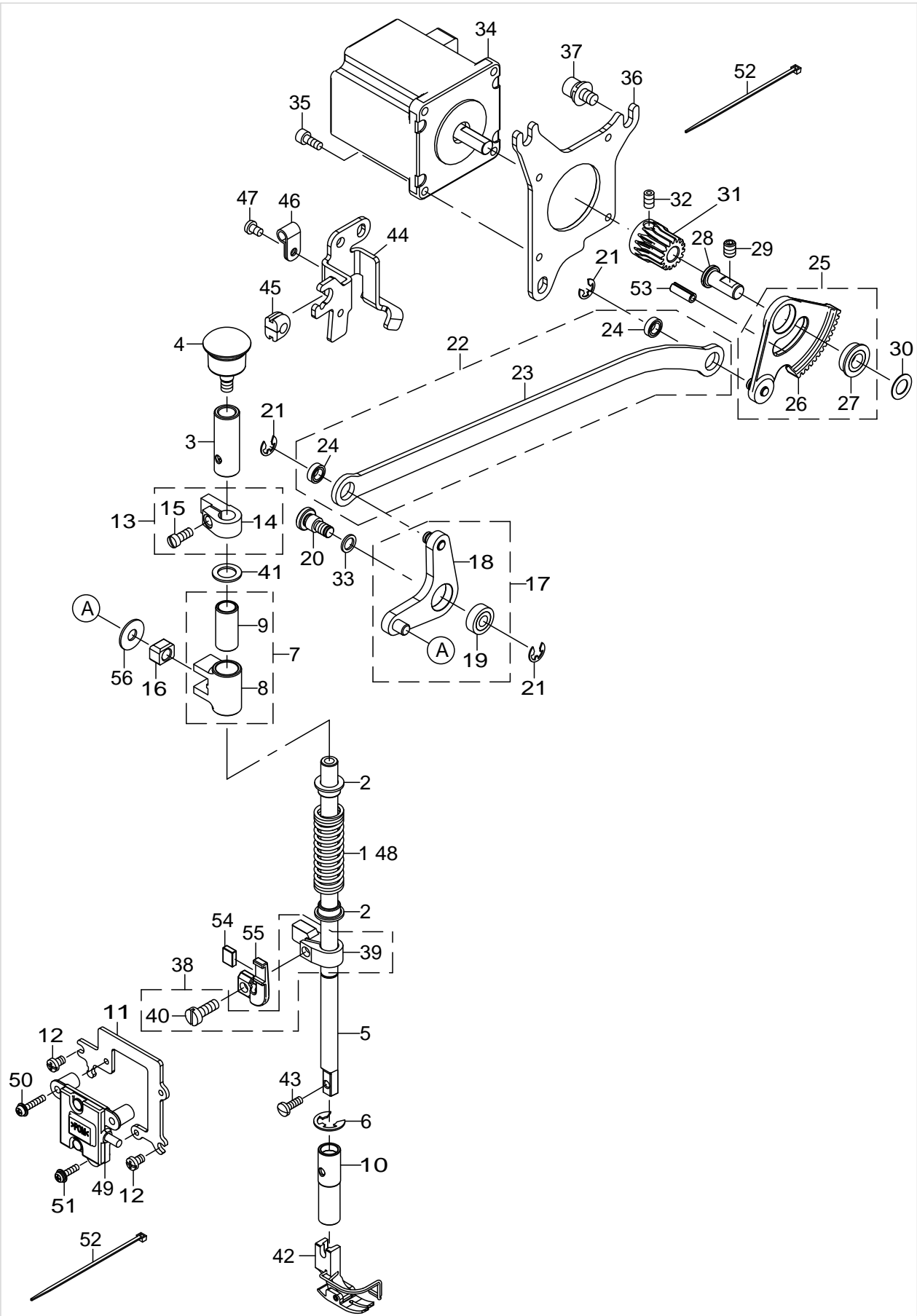
MAIN SHAFT & NEEDLE BAR COMPONENTS



MAIN SHAFT & NEEDLE BAR COMPONENTS

No.	Supply Code	Parts No.	Replacement	Parts name	Remarks	Choice	Step	Level	Cons	Qty	Rep. QTY
47		22906309		NEEDLE BAR THREAD GUIDE						1	
48		40086604		NEEDLE_BAR_D_(B)	FOR BB					1	

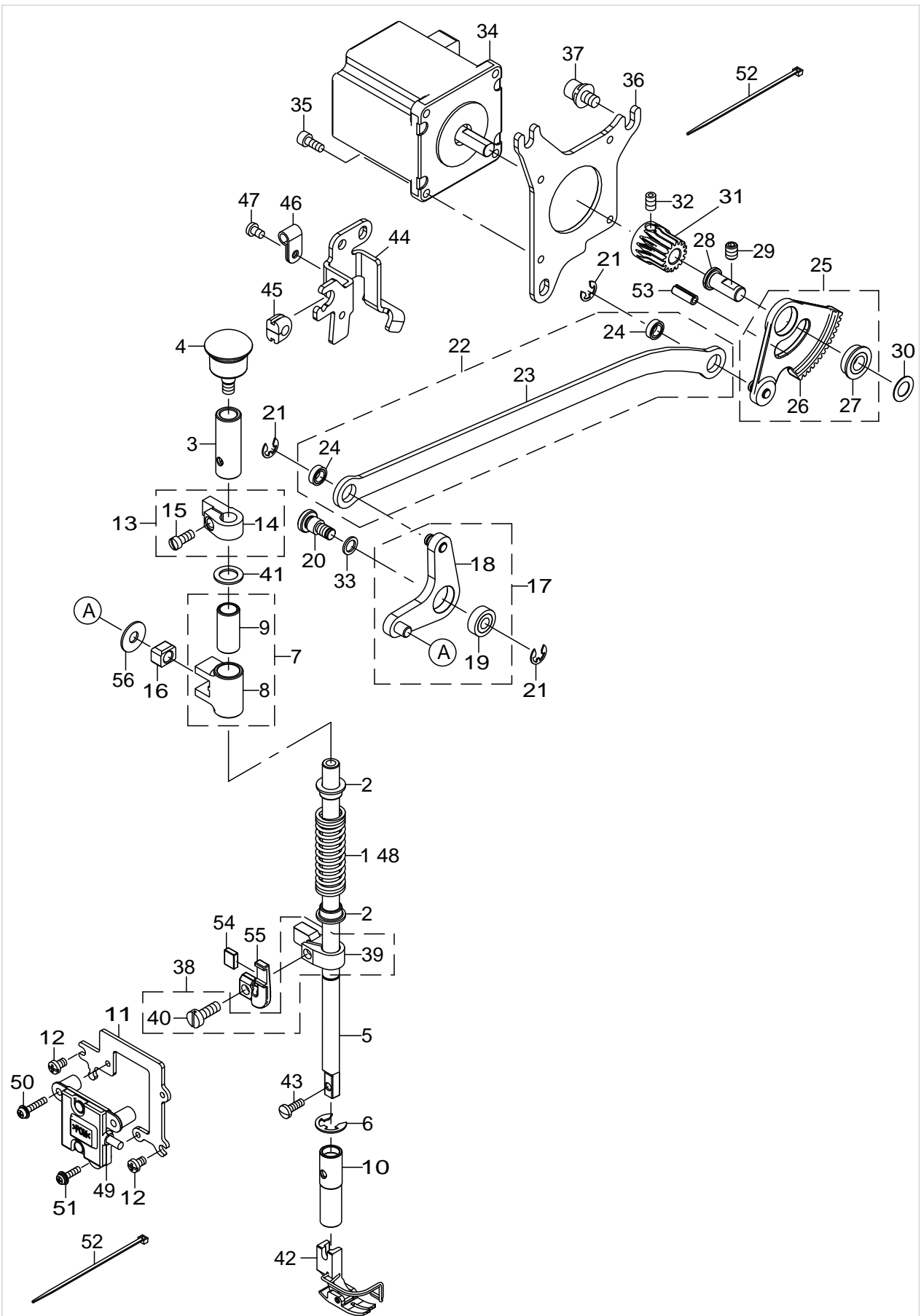
HAND LIFTER COMPONENTS



HAND LIFTER COMPONENTS

No.	Supply Code	Parts No.	Replacement	Parts name	Remarks	Choice	Step	Level	Cons	Qty	Rep. QTY
1		40172404		PRESSER_SPRING_S	FOR DDL-- 9000C-FMS					1	
2		40172407		SPRING_GUIDE						2	
3		40172408		BUSH_A						1	
4		40172389		CAP						1	
5		40172409		PRESSER_BAR						1	
6		RE0800000K0		E-SHAPED SNAP RING (8MM)						1	
7		40172410		PRESSER_GUIDE_BOSS_ASM						1	
8		40172411		PRESSER_GUIDE_BOSS				*		1	
9		40172412		BUSH_C				*		1	
10		40172413		BUSH_B						1	
11		40172465		CLOTH_PRESSER_S- ENSOR_ASM_BASE						1	
12		SM4040655SP		SCREW M4 L=6						2	
13		40070531		PRESSER_BAR_CONNECTION_ASM.						1	
14		26302901		PRESSER BAR HOLDER				*		1	
15		SS7111110TP		SCREW 11/64-40 L=10.5				*		1	
16		40141757		SQUARE_BLOCK						1	
17		40172425		ASSY_PRESSER_LINK_B						1	
18		40174309		ASSY_PRESSER_LINK_B_A				*		1	
19		SB106000400		BEARING				*		1	
20		40172428		PRESSER_LINK_SCREW						1	
21		RE0500000K0		E-RING						3	
22		40172429		PRESSER_LINK_A_ASM						1	
23		40174384		PRESSER_LINK_A				*		1	
24		SB106000500		BEARING				*		2	
25		40174574		PRESSER_GEAR_ASM						1	
26		40174308		PRESSER_GEAR_ASM_A				*		1	
27		SB108000200		BEARING				*		1	
28	D	40174295		PRESSER_LEVER_SHAFT_FD						1	
29		SM80608A2TP		SCREW M6 L=8						1	
30		WP0820526SD		WASHER 8.2X14X0.5						2	
31		40172463		MOTOR_GEAR						1	
32		SM80508A2TP		SCREW M5 L=8						2	
33		WP0661016SP		WASHER						1	
34		40168923		PRESSER MOTOR						1	
35		SM6041002TP		SCREW M4X0.7 L=10						4	
36		40172466		MOTOR_BASE						1	
37		SL6061292TN		SCREW M6 L=12						3	
38		40086606		PRESSER_BAR_GUI- DE_BRACKET_ASM.						1	
39		40086607		PRESSER_BAR_GUIDE_BRACKET				*		1	
40		SM6051400SP		SCREW				*		1	
41		WP0951016SP		WASHER 9.53X15X1						1	
42		B15240120BA		PRESSER FOOT ASM.						1	
43		SS7091110TP		SCREW 9/64-40 L=10.5					☆	1	
44		40174573		CABLE_CLAMP_PLATE						1	
45		GPK26023000		BUSH A						1	

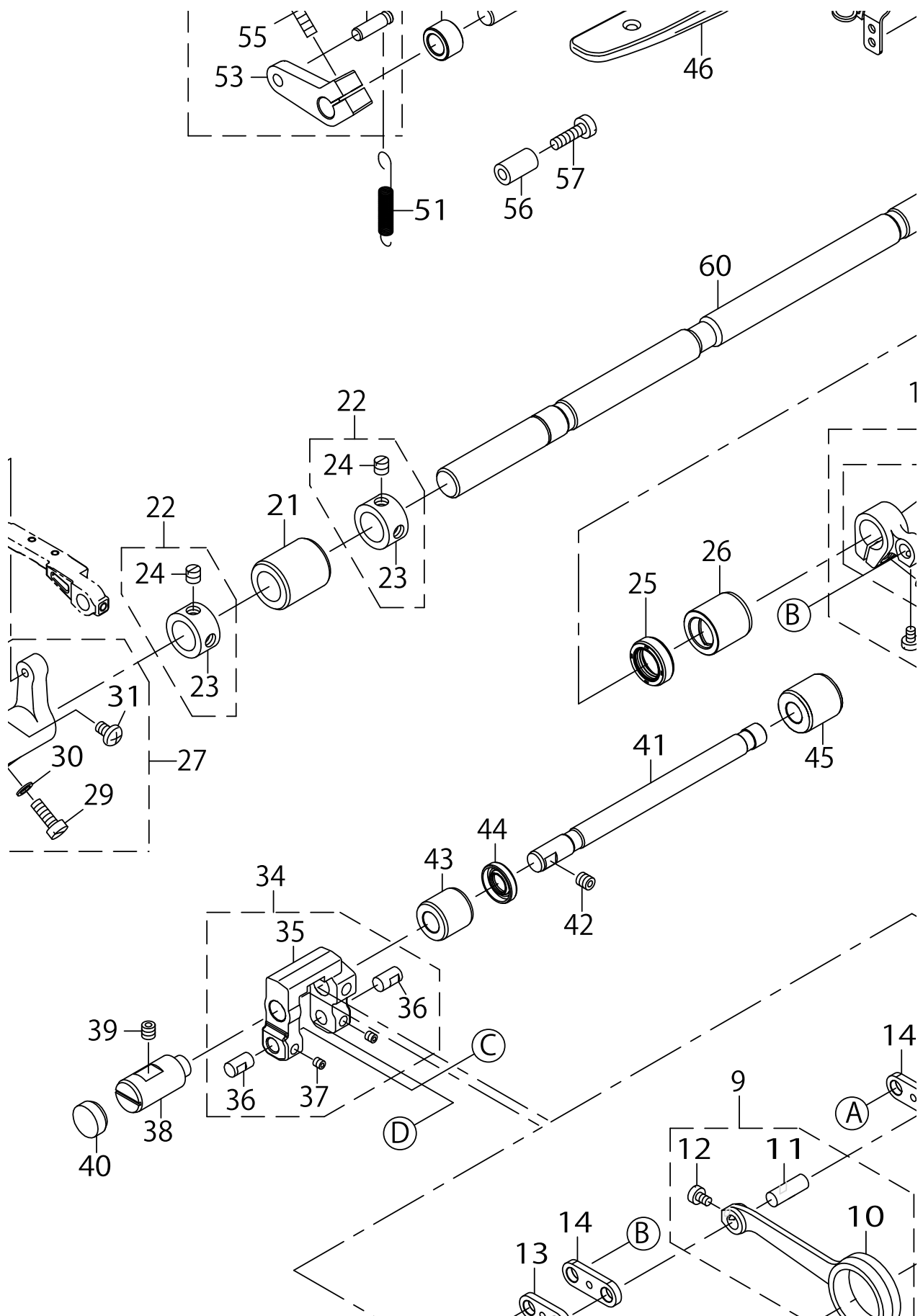
HAND LIFTER COMPONENTS



HAND LIFTER COMPONENTS

No.	Supply Code	Parts No.	Replacement	Parts name	Remarks	Choice	Step	Level	Cons	Qty	Rep. QTY
46		HX00150000A		CABLE CLAMP						1	
47		SM4040601SC		SCREW M4X0.7 L=6						1	
48		40172405		PRESSER_SPRING_H	FOR DDL-- 9000C-FSH					1	
49		40172464		CLOTH_PRESSER_SENSOR_ASM.						1	
50		SL4031691SC		SCREW M3 L=16						2	
51		SL4031291SC		SCREW M3X12						1	
52		EA9500B0100		CABLE BAND						1	
53		PS0500142KP		SPRING PIN						1	
54	R	40172415	40188614	MAGNET						1	1.00
55		40172424		MAGNET HOLDER						1	
56		WP0621036SP		WASHER						1	

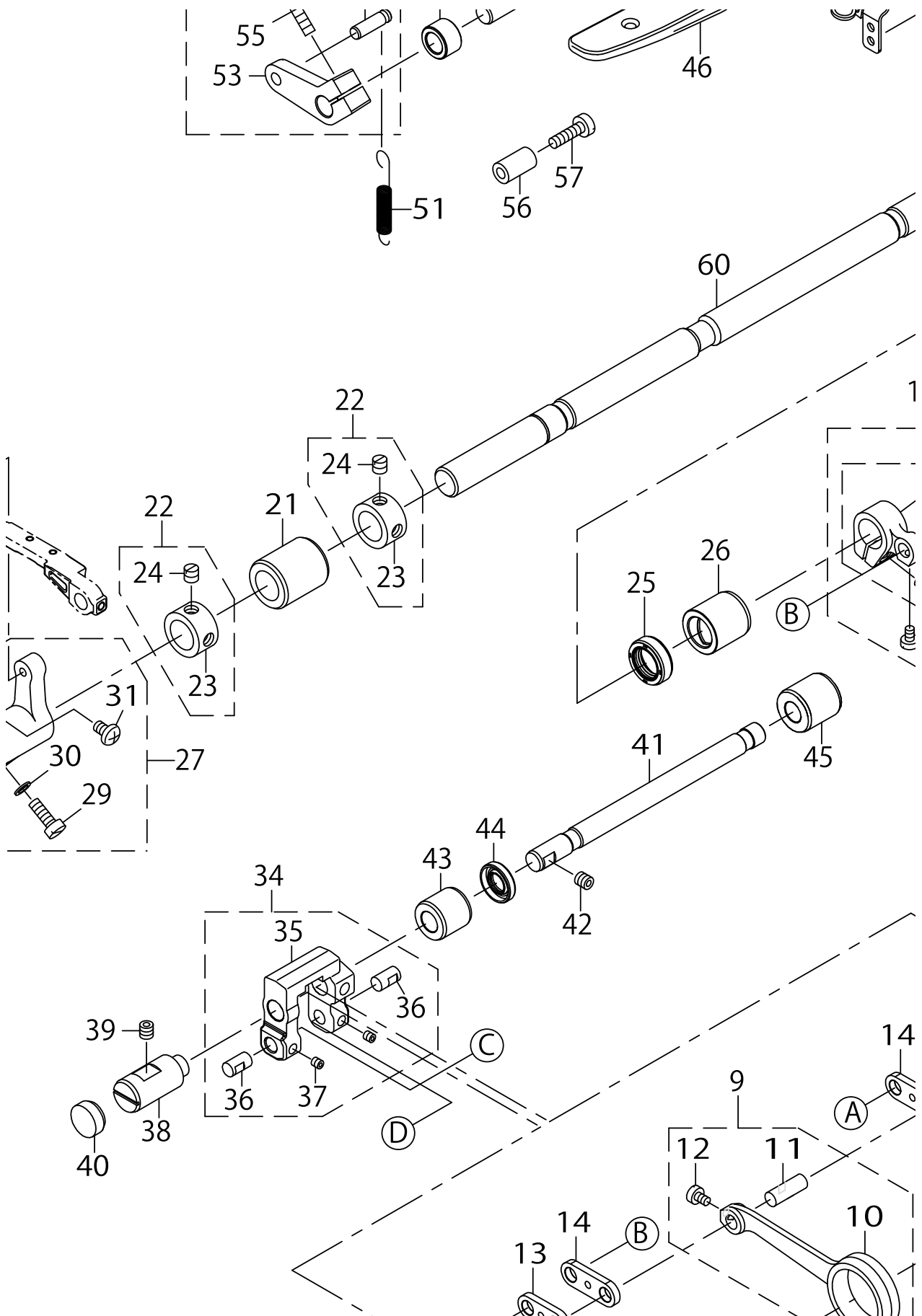
FEED ADJUST MECHANISM COMPONENTS



FEED ADJUST MECHANISM COMPONENTS

No.	Supply Code	Parts No.	Replacement	Parts name	Remarks	Choice	Step	Level	Cons	Qty	Rep. QTY
1		40174296		ASSY_FEED_ROCKER_CAM						1	
2		40174297		FEED_ROCKER_CAM				*		1	
3		SS8150822TP		SCREW 15/64-28 L=8				*		2	
4		B412352200A		NEEDLE BEARING						1	
5		B412352200B		NEEDLE ROLLAR						1	
6		B412352200C		NEEDLE ROLLAR						1	
7		40174298		FEED_ROCKER_CAM_TOP						1	
8		SS6090670TP		SCREW 9/64-40 L=6						2	
9		40037365		FEED ROCKER ROD ASM.						1	
10		40026277		FEED ROCKER ROD				*		1	
11		22911101		WALKING FOOT PIN C				*		1	
12		SS6090620TP		SCREW				*		1	
13		40174300		FEED_CONNECTING_LINK_A						2	
14		40174302		FEED_CONNECTING_LINK_B						2	
15		40061246		FEED ROCKER ARM ALL ASM.						1	
16	R	40058504	40061246	FEED ROCKER ARM ASM.				*		1	1.00
17	R	40042079	40061246	FEED ROCKER ARM				*		1	1.00
18		SS6121610SP		SCREW 3/16-28 L=15.5				*		1	
19		22911002		WALKING FOOT PIN B				*		1	
20		SS6090620TP		SCREW				*		1	
21		23616709		FEED ROCKER SHAFT METAL						1	
22		22904155		MAIN SHAFT THRU-ST COLLAR ASM.						2	
23	R	22904106	22904155	MAIN SHAFT THRUST COLLAR				*		1	1.00
24		SS8660610TP		SCREW 1/4-40 L=6				*		2	
25		40172134		FEED_ROCKER_DUST_SEAL						1	
26		40174299		FEED_ROCKER_REAR_METAL						1	
27		40037005		ASSY_FEED_ROCKER_BASE_ARM						1	
28		40026281		FEED ROCKER BASE ARM				*		1	
29		SM6051400SP		SCREW				*		1	
30		WP0531000SD		WASHER M5				*		1	
31		SM4050855SP		SCREW				*		1	
32		40026282		FEED ROCKER BASE SHAFT						1	
33		10523702		WASHER						1	
34		40086735		ADJUSTING LINK ASM.						1	
35	R	40086695	40086735	FEED_ADJUSTING_LINK				*		1	1.00
36	R	40086696	40086735	FEED_ADJUSTING_LINK_PIN				*		2	1.00
37		SM80506A2TP		SCREW M5 L=6				*		2	
38		40172467		ADJUSTING_LINK_F-ULCRUM_SHAFT						1	
39		SM80606A2TP		SCREW M6 L=6						1	
40		40086736		RUBBER PLUG						1	
41		40172460		FEED_CHANGING_SHAFT						1	
42		SM80606A2TP		SCREW M6 L=6						1	
43		40172508		FEED_CHANGING_SHAFT_METAL_A						1	
44		40172138		FEED_CHANGING_DUST_SEAL						1	
45		40086616		FEED_CHANGING_SHAFT_METAL_B						1	

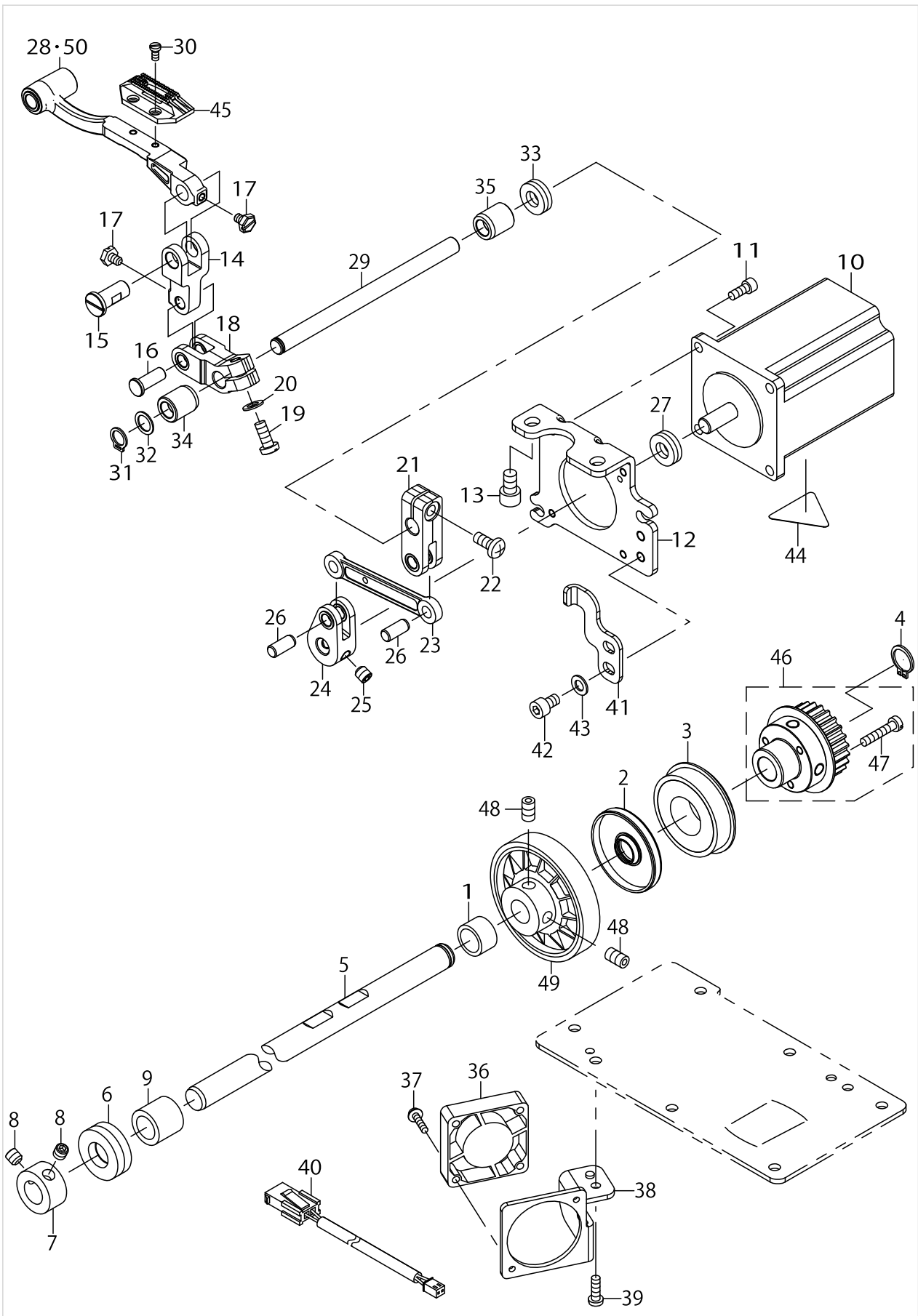
FEED ADJUST MECHANISM COMPONENTS



FEED ADJUST MECHANISM COMPONENTS

No.	Supply Code	Parts No.	Replacement	Parts name	Remarks	Choice	Step	Level	Cons	Qty	Rep. QTY
46		40172378		REVERSE_FEED_LEVER						1	
47		40174291		FEED_CONTROL_SENSOR_PLATE						1	
48		SM4040655SP		SCREW M4 L=6						1	
49		40172509		FEED_LEVER_SHAFT						1	
50		40172510		FEED_LEVER_SHAFT_METAL						1	
51		B2431215000		THREAD TRIMMER LINK SPRING						2	
52		40174293		ASSY_FEED_LEVER_ARM						1	
53		40174294		FEED_LEVER_ARM				*		1	
54		22912307		PIN				*		1	
55		SM6051602TP		SCREW M5X0.8 L=16				*		1	
56		22952501		BACK LEVER STOPPER						2	
57		SM6051850TP		SCREW M5 L=18						2	
58		40174405		FEED_CONTROL_SENSOR_BASE_ASM						1	
59		SM4040655SP		SCREW M4 L=6						2	
60		40174317		FEED_ROCKER_SHAFT						1	
61		SM8050612TP		SCREW M5X6						2	

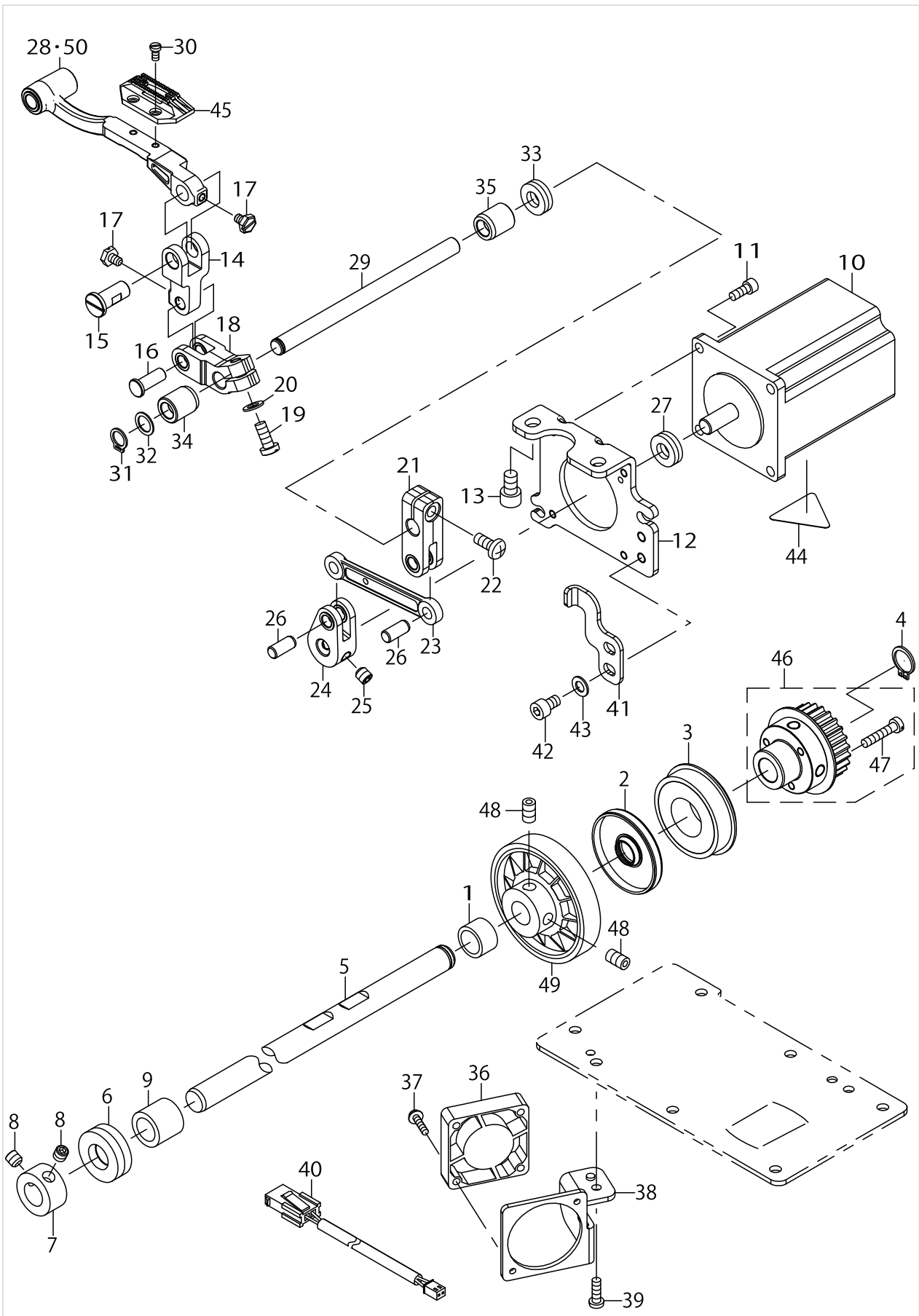
VERTICAL FEED COMPONENTS



VERTICAL FEED COMPONENTS

No.	Supply Code	Parts No.	Replacement	Parts name	Remarks	Choice	Step	Level	Cons	Qty	Rep. QTY
1		40174590		LOWER_SHAFT_METAL						1	
2		40172137		LOWER_SHAFT_REAR_DUST_SEAL						1	
3		SB120001800		BEARING						1	
4		RC1200001KP		C-SHAPED SNAP RING						1	
5		40174321		LOWER_SHAFT						1	
6		SB412000100		BEARING						1	
7		CS1201171TP		THRUST COLLAR D=12 W=11						1	
8		SM80606A2TP		SCREW M6 L=6						2	
9		40174325		BEARING						1	
10		40168922		VERTICAL FEED MOTOR						1	
11		SM6041002TP		SCREW M4X0.7 L=10						4	
12		40172455		VERTICAL_MOTOR_BASE						1	
13		SM6061002TP		SCREW M6 L=10						2	
14		40172443		FEED_BASE_DRIVING_LINK						1	
15		40174581		FEED_PIN_A						1	
16		40174582		FEED_PIN_B						1	
17		SM9040650TP		SCREW M4 L=6						2	
18		40172444		FEED_LINK_ARM_A_COMPL						1	
19		SM4051255SP		SCREW M5 L=12						1	
20		WP0550800SP		WASHER 5.5X10X0.8						1	
21		40172446		FEED_LINK_ARM_B_COMPL						1	
22		SM4051255SP		SCREW M5 L=12						2	
23		40172454		FEED_CONNECT_LINK						1	
24		40172448		FEED_MOTOR_LINK_COMPL						1	
25		SM8480652TP		SCREW						2	
26		13319405		MAIN FEED ROCKER PIN						2	
27		SB408000100		BEARING						1	
28		40172440		FEED_BASE_COMPL						1	
29		40172453		FEED_LINK_SHAFT						1	
30		SS4080620TP		SCREW 1/8-44 L=6					☆	2	
31		RC0740811KP		C-RING						1	
32		WP0820516SP		WASHER 11.6X8.2X0.6						1	
33		SB408000100		BEARING						1	
34		40172451		FEED_LINK_METAL						1	
35		40172452		FEED_LINK_METAL_B						1	
36		HM002230000		FAN MOTOR						1	
37		SL4031491SC		SCREW M3X14						2	
38		40172461		FAN_PLATE						1	
39		SM4041255SP		SCREW M4 L=12						1	
40		40173467		FAN MOTOR RELAY CORD ASSY						1	
41		40172439		FEED_BASE_STOPPER						1	
42		SM6050802TP		SCREW M5X0.8 L=8						2	
43		WP0550800SP		WASHER 5.5X10X0.8						2	
44		CM300300003		HIGH TEMPARATUR- E CAUTION LABEL 2(31.5)						1	
45		B1613012I00		FEED DOG I						1	
46		40174577		UNDER_SPROCKET_ASM.						1	

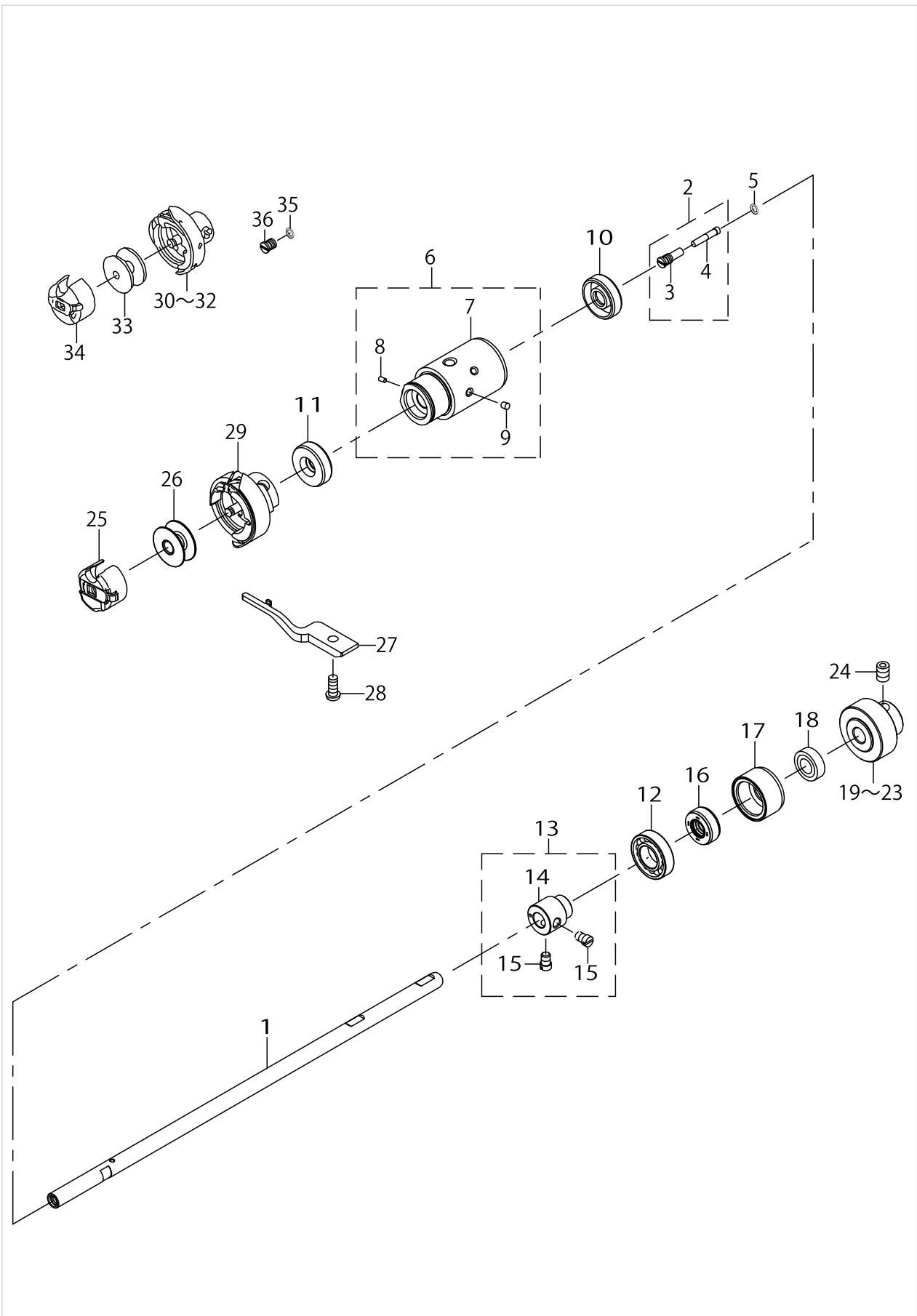
VERTICAL FEED COMPONENTS



VERTICAL FEED COMPONENTS

No.	Supply Code	Parts No.	Replacement	Parts name	Remarks	Choice	Step	Level	Cons	Qty	Rep. QTY
47		SM6042000SP		SCREW				*		3	
48		SM80608A2TP		SCREW M6 L=8						2	
49		40174334		GEAR_LARGE						1	
50		40174396		FEED_BASE_COMPL_H	DDL-9000-C-FSH ONLY					1	

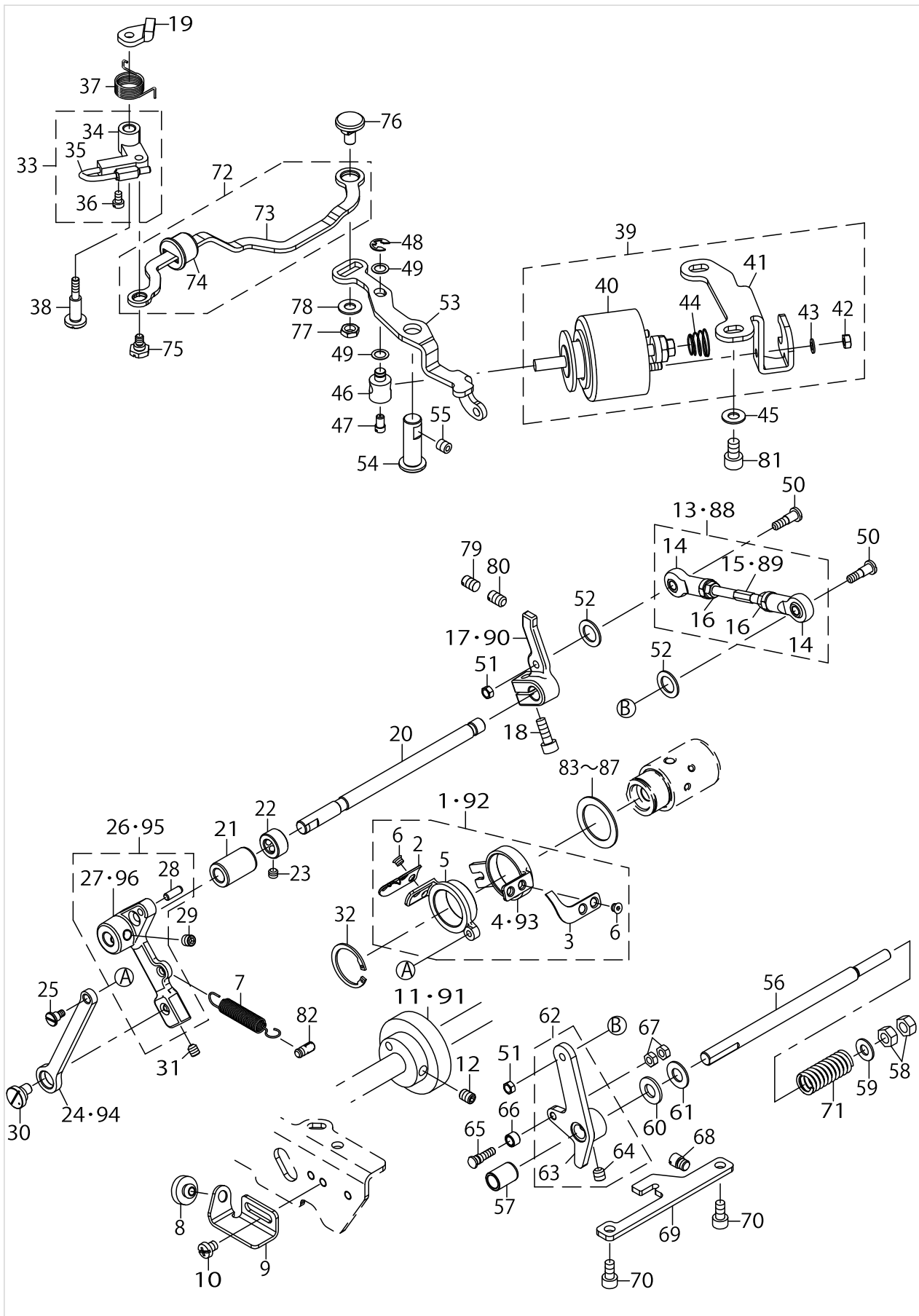
HOOK DRIVING COMPONENTS



HOOK DRIVING COMPONENTS

No.	Supply Code	Parts No.	Replacement	Parts name	Remarks	Choice	Step	Level	Cons	Qty	Rep. QTY
1		40174328		HOOK_SHAFT						1	
2		22916555		OILSEALSCREWASM.					☆	1	
3		22916506		SET SCREW				*		1	
4		11015906		OIL WICK				*		1	
5		RO036080200		RUBBER RING						1	
6		40174331		HOOK_SHAFT_METAL_ASM						1	
7		40174332		HOOK_SHAFT_METAL				*		1	
8		TA0180401M0		NEEDLE COOLER PLUG CAP				*		1	
9		TA0290301M0		PLUG				*		1	
10		40145927		OIL SEAL						1	
11		40010805		OIL SEAL RING						1	
12		G1812870000		LOWER SHAFT INNER BEARING						1	
13		40086691		HOOK_SHAFT_BEAR- ING_SUPPORT_ASM						1	
14		40086692		HOOK_SHAFT_BEARING_SUPPORT				*		1	
15		SS6110710TP		SCREW 11/64-40 L=6.5				*		2	
16		40172135		HOOK_SHAFT_DUST_SEAL						1	
17		40174333		HOOK SHAFT REAR METAL						1	
18		SB408000100		BEARING						1	
19		40174335		GEAR_SMALL_A	SELECTIVE PARTS					1	
20		40174336		GEAR_SMALL_B	SELECTIVE PARTS					1	
21		40174337		GEAR_SMALL_C	SELECTIVE PARTS					1	
22		40174338		GEAR_SMALL_D	SELECTIVE PARTS					1	
23		40174369		GEAR_SMALL_E	SELECTIVE PARTS					1	
24		SM80608A2TP		SCREW M6 L=8						2	
25		11038759		BOBBIN CASE ASM.					☆	1	
26		22964001		BOBBIN A					☆	1	
27		40174351		INNERHOOK HOLDER						1	
28		SS4111015SP		SCREW11/64-40L=10						1	
29		11038650		HOOK ASM.					☆	1	
30		22890404		RP HOOK C					☆	1	
31		22890206		RP HOOK					☆	1	
32		22890305		RP HOOK S					☆	1	
33	R	B9117552A00	22964001	BOBBIN					☆	1	1.00
34		22896252		BOBBIN CASE ASM.					☆	1	
35		RO036080200		RUBBER RING						1	
36		11079506		FRONT SCREW						1	

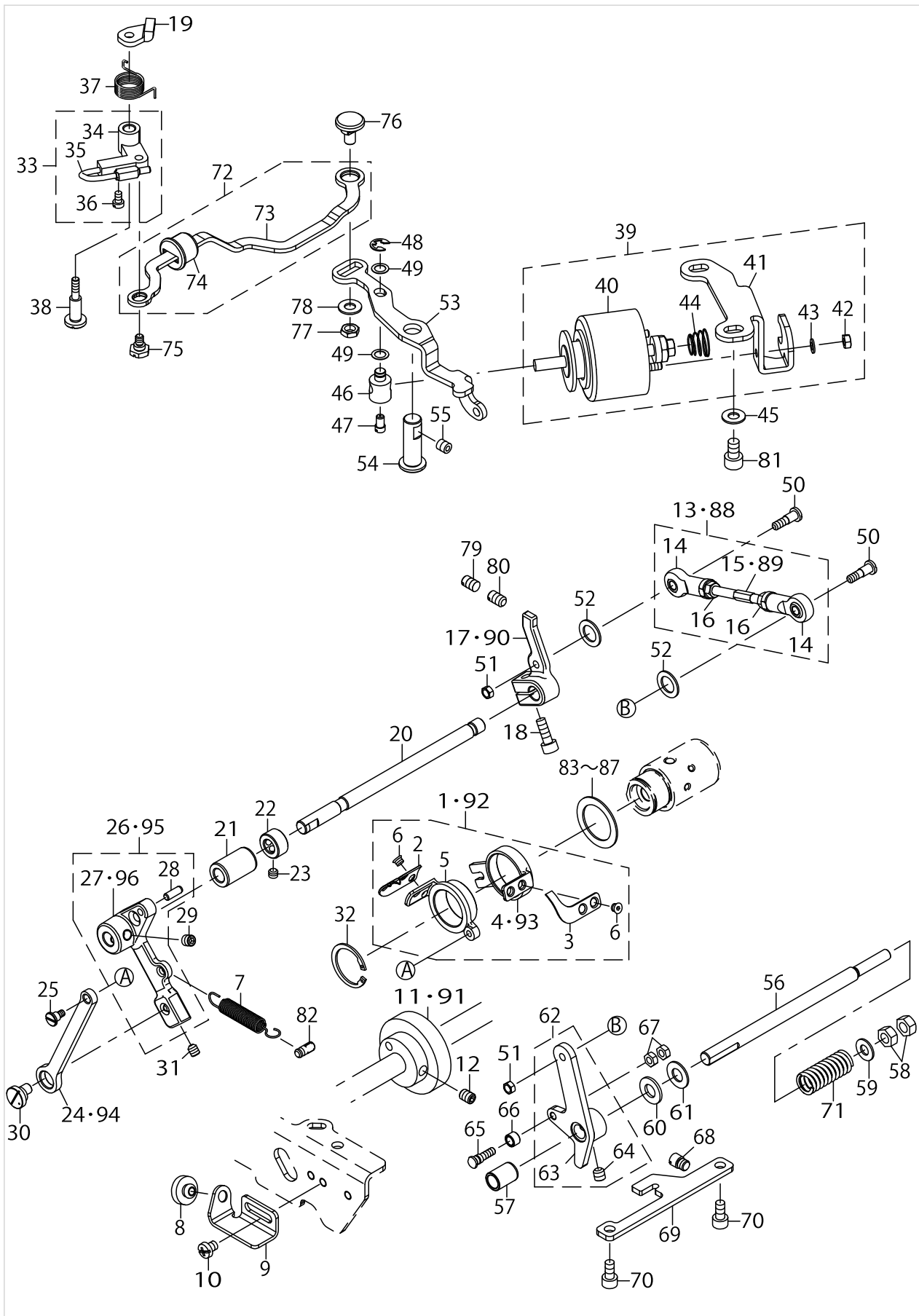
THREAD TRIMMER COMPONENTS



THREAD TRIMMER COMPONENTS

No.	Supply Code	Parts No.	Replacement	Parts name	Remarks	Choice	Step	Level	Cons	Qty	Rep. QTY
1		40174319		KNIFE_UNIT	DDL-9000-C-FSH ONLY					1	
2		40172487		HANDLING_DEVICE_KNIFE				*	☆	1	
3		40172486		THREAD_TRIMMER_KNIFE				*	☆	1	
4		40174318		THREAD_TRIMMER_BASE	DDL-9000-C-FSH ONLY			*		1	
5		40172489		HANDLING_DEVICE_BASE				*		1	
6		11420601		SCREW				*	☆	4	
7		40172497		TRIMMER_BACK_SPRING						1	
8		B1116210D00		FRAME SUPPORT RUBBER						1	
9		40172498		RUBBER_STOPPER_PLATE						1	
10		SM4050655SP		SCREW M5 L=6						2	
11		40172499		THREAD_TRIMMER_CAM						1	
12		SM80608A2TP		SCREW M6 L=8						2	
13		40174323		CONNECTING_ROD_ASM_R	DDL-9000-C-FSH ONLY					1	
14		40136701		ROD_END				*		2	
15		40174324		CONNECTING_BAR	DDL-9000-C-FSH ONLY			*		1	
16		NM6050001SC		NUT M5X0.8 TYPE1				*		2	
17		40172500		TRIMMER_MOVING_ARM						1	
18		SM6051402TP		SCREW M5X0.8 L=14						1	
19		40062168		PICKER SPRING HOOK						1	
20		40172481		TRIMMER_MOVING_SHAFT						1	
21		40172482		THREAD_TRIMMER_METAL_A						1	
22		CS0800881TP		THRUST COLLAR						1	
23		SM80506A2TP		SCREW M5 L=6						2	
24		40172484		THREAD_TRIMMER_ROD						1	
25		SD0500403TP		SCREW						1	
26		40172477		THREAD_TRIMMER_ARM_ASM						1	
27		40172478		THREAD_TRIMMER_ARM				*		1	
28		40172479		THREAD_TRIMMER_ARM_PIN				*		1	
29		SM8480652TP		SCREW						2	
30		40172480		TRIMMER_ADJUSINGT_PIN						1	
31		SM80506A2TP		SCREW M5 L=6						2	
32		RC2651218KP		RETAINING RING						1	
33		40036998		ASSY_PICKER_ARM						1	
34		40061215		PICKER ARM				*		1	
35		40036997		ASSY_PICKER				*		1	
36		SS6090670TP		SCREW 9/64-40 L=6				*		2	
37		40029398		PICKER SPRING						1	
38		SD0641456TP		SHOULDER SCREW D=6.35 H=14.5						1	
39		40172491		THREAD_TRIMMER_SOLENOID_F_ASM						1	
40		40172494		THREAD_TRIMMER_SOLENOID_F				*		1	
41		40174583		SOLENOID_INSTALLING_BASE				*		1	
42		NM6040001SE		NUT M4				*		2	
43		WS0410002KR		SPRING WASHER M4				*		2	
44		40174584		SPRING				*		1	

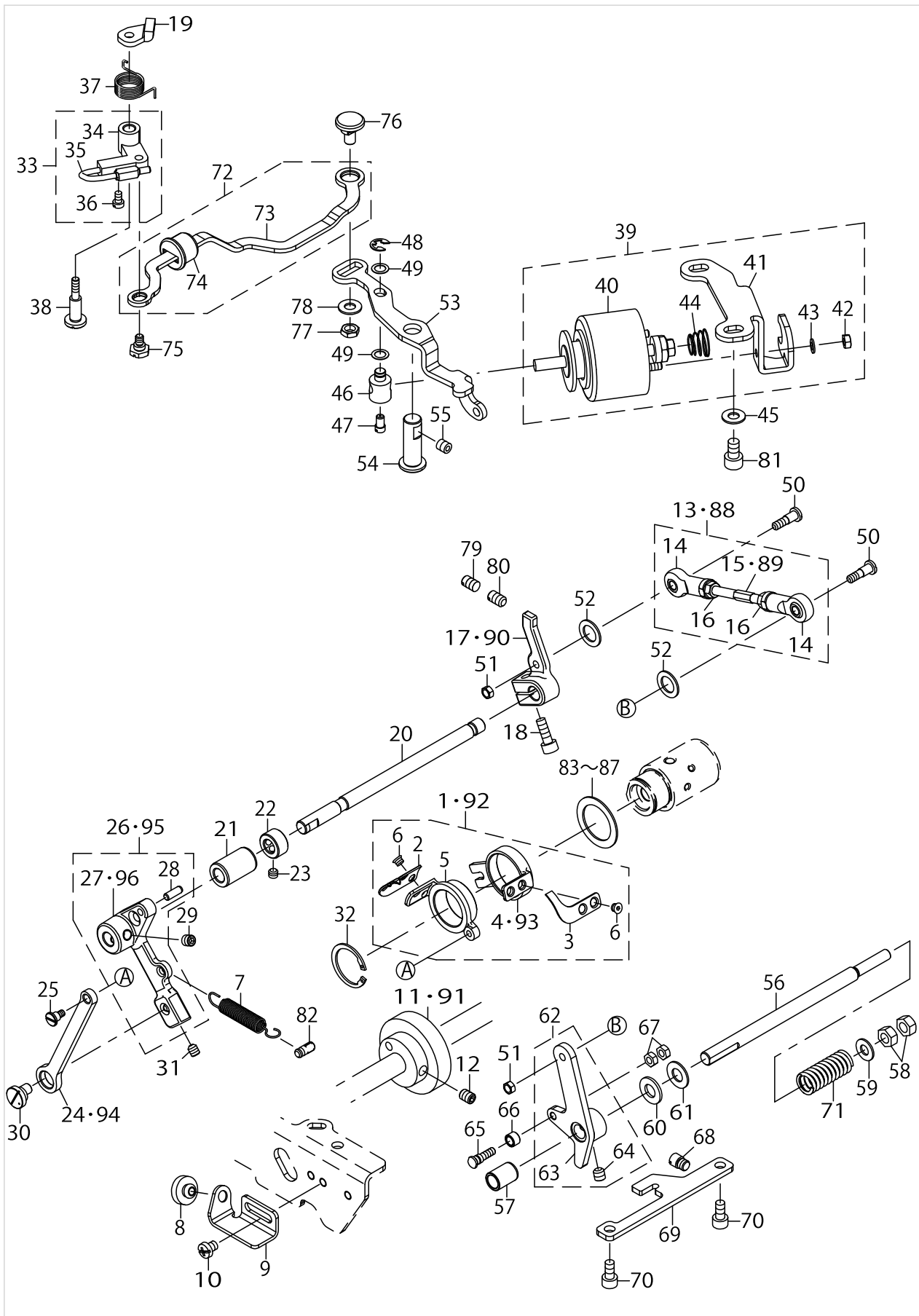
THREAD TRIMMER COMPONENTS



THREAD TRIMMER COMPONENTS

No.	Supply Code	Parts No.	Replacement	Parts name	Remarks	Choice	Step	Level	Cons	Qty	Rep. QTY
45		WP0621016SD		WASHER 6.2X13X1						2	
46		40086711		SORENOID_PIN						1	
47		SS6110710TP		SCREW 11/64-40 L=6.5						1	
48		RE0500000K0		E-RING						1	
49		10618304		VERTICAL ROLLER WASHER						2	
50		SD0500701TP		SHOULDER SCREW						2	
51		NS6110310SP		HEXAGONAL NUT 11/64-40						2	
52		40086712		CONNECTING ROD FELT						2	
53		40172495		CLUTCH_PLATE						1	
54		40086635		CLUTCH_SHAFT						1	
55		SM8060812TP		SCREW M6 L=8						1	
56		40172496		THREAD_TRIMMER_SHAFT						1	
57		40172483		THREAD_TRIMMER_METAL_B						1	
58		NM6060001SC		NUT M6X1 TYPE1						2	
59		WP0621016SH		WASHER						1	
60		B1116804000		CLOTH PLATE WASHER						1	
61		40090099		WASHER						1	
62		40095843		ASSY_CAM_FOLLOWER						1	
63		40086624		CAM_FOLLOWER_ASM.				*		1	
64		SM80606A2TP		SCREW M6 L=6				*		2	
65		40086748		ROLLER SHAFT						1	
66		40015671		CAM_ROLLER						1	
67		NM6040001SP		NUT M4X0.7						2	
68		40086623		STOPPER_SCREW						1	
69		40172490		CAM_FOLLOWER_STOPPER						1	
70		SM6050802TP		SCREW M5X0.8 L=8						2	
71		40172504		THREAD_TRIMMER_SPRING_D						1	
72		40172501		PICKER_LINK_ASM						1	
73		40172502		PICKER_LINK				*		1	
74		40172503		PICKER_LINK_RUBBER				*		1	
75		SD0630275SP		HINGE SCREW D=6.35 H=2.7						1	
76		22950000		PICKER LINK PIN						1	
77		NS6150310SP		NUT 15/64-28						1	
78		WP0621016SH		WASHER						1	
79		SM8061050TP		SCREW						1	
80		SM8061010TP		SCREW						1	
81		SM6061002TP		SCREW M6 L=10						2	
82		13738802		SUSPENSION SCREW						1	
83		11419504		THRUST COLLAR A	SELECTIVE PARTS					1	
84		11419603		THRUST COLLAR B	SELECTIVE PARTS					1	
85		11419702		THRUST COLLAR C	SELECTIVE PARTS					1	
86		11419801		THRUST COLLAR D	SELECTIVE PARTS					1	
87		11419900		THRUST COLLAR E	SELECTIVE PARTS					1	
88		40174398		CONNECTING_ROD_ASM_R						1	
89		40086709		CONNECTING_BAR				*		1	
90		40174315		TRIMMER_MOVING_ARM	DDL-9000-C-FSH ONLY					1	

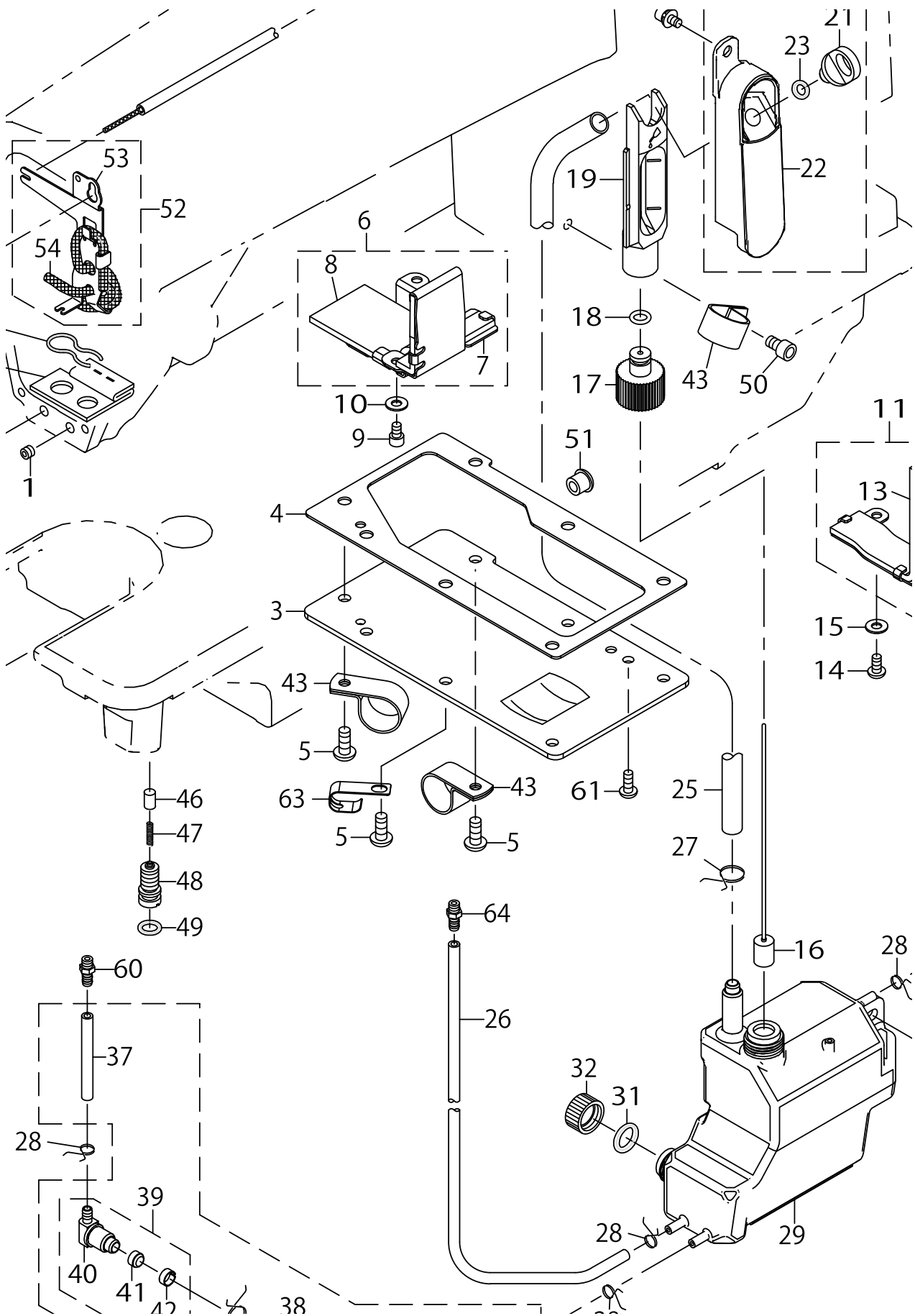
THREAD TRIMMER COMPONENTS



THREAD TRIMMER COMPONENTS

No.	Supply Code	Parts No.	Replacement	Parts name	Remarks	Choice	Step	Level	Cons	Qty	Rep. QTY
91		40174316		THREAD_TRIMMER_CAM	DDL-9000-C-FSH ONLY					1	
92		40172485		KNIFE_UNIT	EXCEPT D-DL-9000C-FSH					1	
93		40172488		THREAD_TRIMMER_BASE				*		1	
94		40168860		THREAD_TRIMMER_ROD	DDL-9000-C-FSH ONLY					1	
95		40172477		THREAD_TRIMMER_ARM_ASM	DDL-9000-C-FSH ONLY					1	
96		40174314		THREAD_TRIMMER_ARM	DDL-9000-C-FSH ONLY			*		1	

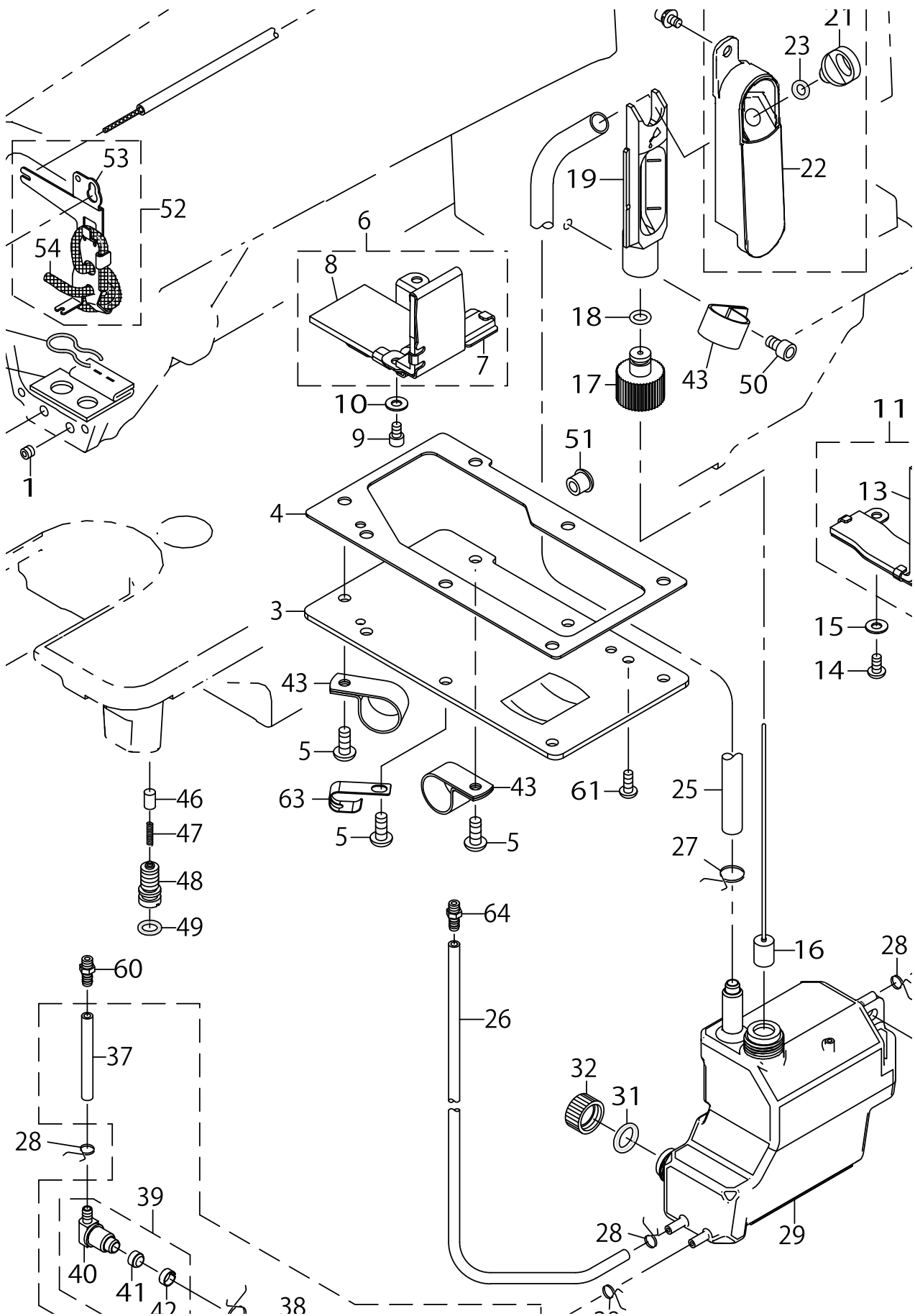
OIL LUBRICATION COMPONENTS



OIL LUBRICATION COMPONENTS

No.	Supply Code	Parts No.	Replacement	Parts name	Remarks	Choice	Step	Level	Cons	Qty	Rep. QTY
1		SM8050402TP		SCREW						1	
2		SM8050402TP		SCREW						1	
3		40174358		GEAR_BOX_COVER						1	
4		40174359		GEAR_BOX_PACKING						1	
5		SM4051255SP		SCREW M5 L=12						6	
6		40172469		LINK_COVER_ASM						1	
7		40174360		LINK_COVER				*		1	
8		40174361		GEAR_BOX_LUBRICATION_FELT				*		1	
9		SM6040602TP		SCREW M4X0.7 L=6						2	
10		WP0450801SD		WASHER 4.5X10X0.8						2	
11		40174306		FEED_ROCKER_CAM- _LUBRICATION_FELT_ASM.						1	
12		40174394		FELT_PLATE				*		1	
13		40174362		FEED_ROCKER_CAM- _LUBRICATION_FELT				*		1	
14		SM4040655SP		SCREW M4 L=6						2	
15		WP0450801SD		WASHER 4.5X10X0.8						2	
16		40172430		ASSY_FLOATER						1	
17		40172433		FLOATER_CAP						1	
18		RO061180100		RUBBER RING						1	
19		40172437		FLOATER_CASE_GUIDE						1	
20		40149785		ASSY_FLOATER_SIGHT_WINDOW_B						1	
21		40000344		LUBRICATING INLET CAP				*		1	
22		40086697		FLOATER_SIGHT_WINDOW_B				*		1	
23		RO048190100		RUBBER RING				*		1	
24		SL6040892TN		BOLT						1	
25		23630106		TUBE B						.1	
26		23630007		TUBE						.43	
27		23629405		PIPE STOPPER B						1	
28		23629306		PIPE STOPPER A						4	
29		40172436		OIL_TANK						1	
30		SL4051091SC		SCREW M5X0.8 L=10						2	
31		RO098240100		O-RING						1	
32		40013595		OIL_EXIT_CAP						1	
33		40174307		OIL_FILTER_ASM.						1	
34		23629405		PIPE STOPPER B				*		2	
35		23630601		OIL FILTER JOINT				*		1	
36		23630007		TUBE				*		0.- 045	
37		40178658		PIPE				*		0.27	
38		23630106		TUBE B				*		0.- 035	
39		23630650		OIL FILTER JOINT ASM.				*		1	
40		23630601		OIL FILTER JOINT				*		1	
41	R	23630403	23630650	OIL FILTER				*		1	1.00
42	R	23630502	23630650	OIL FILTER STOPPER				*		1	1.00
43		HX00150000K		CABLE CLIP						3	
44		40174365		OIL ADJUSTING SCREW						1	
45		RO037180100		RUBBER RING						1	

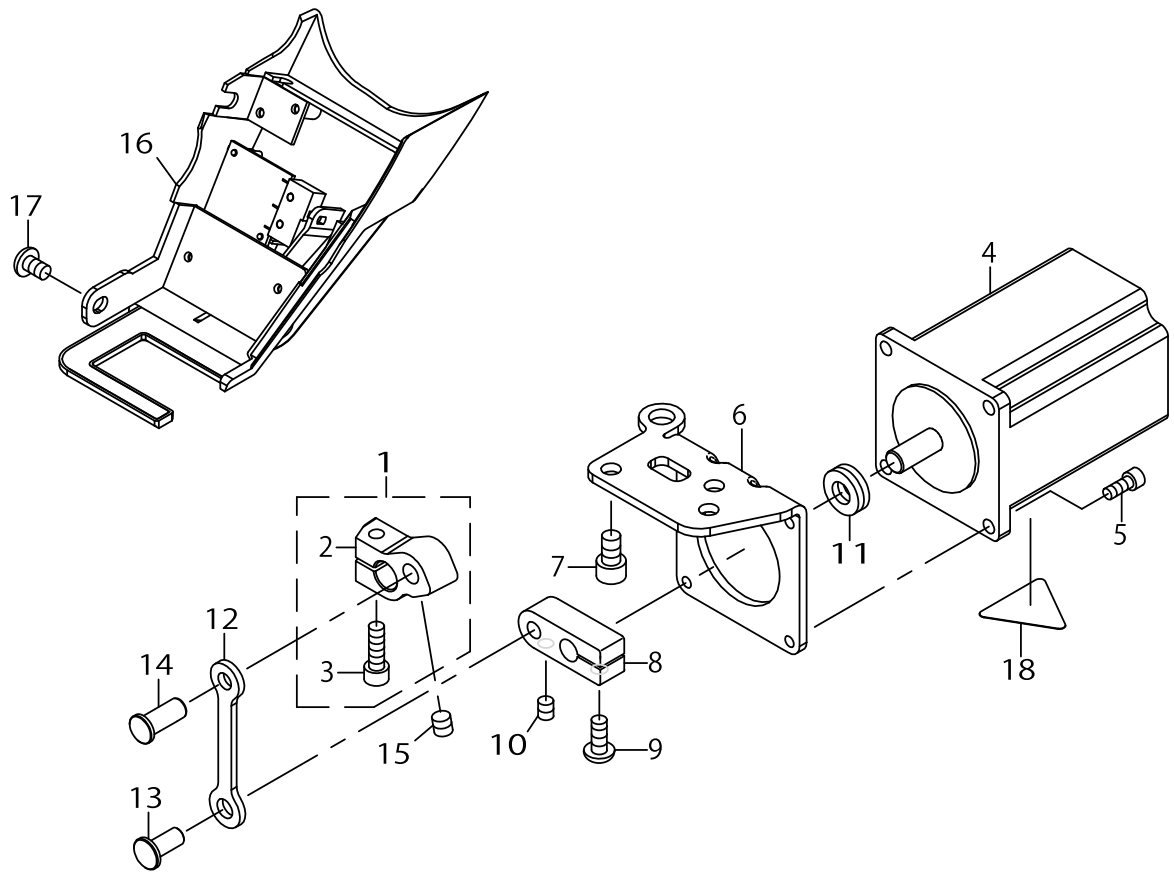
OIL LUBRICATION COMPONENTS



OIL LUBRICATION COMPONENTS

No.	Supply Code	Parts No.	Replacement	Parts name	Remarks	Choice	Step	Level	Cons	Qty	Rep. QTY
46		23628803		PLUNGER						1	
47		23628902		PLUNGER SPRING						1	
48		40038328		PLUNGER SCREW						1	
49		RO068190100		RUBBER RING						1	
50		SM6050802TP		SCREW M5X0.8 L=8						1	
51		22901409		NEEDLE BAR UPPER BUSH CAP						1	
52		23629256		OIL WICK SUPPORT ASM.	DDL-9000-C-FSH ONLY					1	
53	R	23629207	23629256	OIL WICK SUPPORT	DDL-9000-C-FSH ONLY			*		1	1.00
54		CQ250000001		OIL WICK	DDL-9000-C-FSH ONLY			*		0.25	
55		SM5040655SN		SCREW	DDL-9000-C-FSH ONLY					1	
56		23630007		TUBE	DDL-9000-C-FSH ONLY					.75	
57		CQ200000001		OIL WICK	DDL-9000-C-FSH ONLY					.18	
58		22925101		OIL FELT PRESSER	DDL-9000-C-FSH ONLY					1	
59		40075404		FACE FELT ASM.	DDL-9000-C-FSH ONLY					1	
60		40174356		CONNECTING SCREW						1	
61		SM4041055SP		SCREW						1	
62		40174399		CAP	DDL-9000-C-FMS ONLY					1	
63		40136258		CORD HOLDER						1	
64		SQ2050453MZ		CONNECTING SCREW						1	

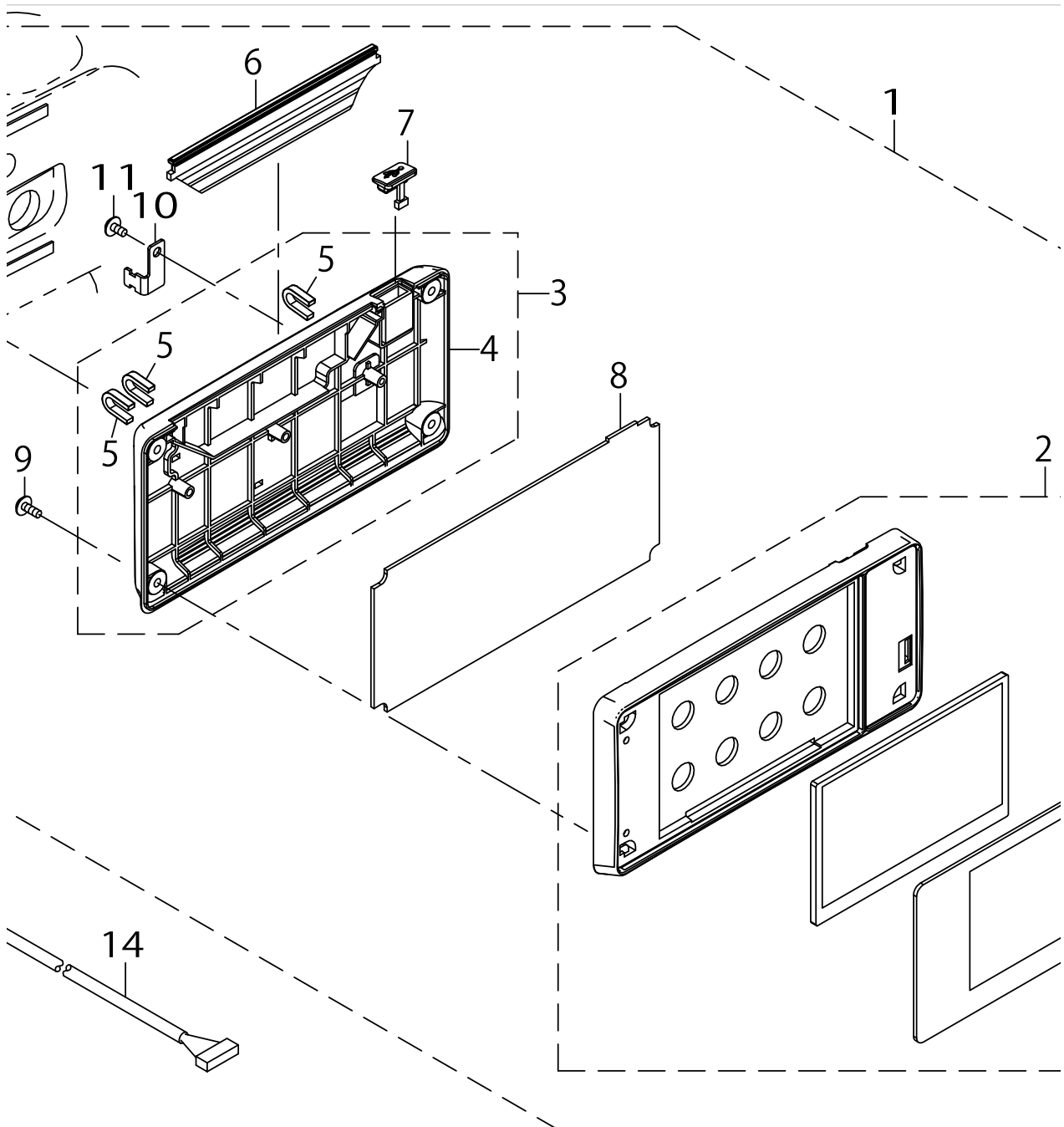
AUTOMATIC REVERSE FEED COMPONENTS



AUTOMATIC REVERSE FEED COMPONENTS

No.	Supply Code	Parts No.	Replacement	Parts name	Remarks	Choice	Step	Level	Cons	Qty	Rep. QTY
1		40174366		ASSY REVERSE FEED ARM						1	
2		40172459		REVERSE_FEED_ARM				*		1	
3		SM6051602TP		SCREW M5X0.8 L=16				*		1	
4		40168921		HORIZONTAL FEED MOTOR						1	
5		SM6041002TP		SCREW M4X0.7 L=10						4	
6		40172456		HORIZONTAL_MOTOR_BASE						1	
7		SM6061002TP		SCREW M6 L=10						3	
8		40010278		MOTOR LINK						1	
9		SM4051255SP		SCREW M5 L=12						1	
10		SM8050612TP		SCREW M5X6						1	
11		SB408000100		BEARING						1	
12		40172458		HORIZ_CONNECT_LINK						1	
13		40172457		HORIZ_MOTOR_LINK_PIN						1	
14		40086699		REVERSE_FEED_LINK_PIN						1	
15		SM8480652TP		SCREW						1	
16		40174372		LED_TB_SWITCH					☆	1	
17		SM4050855SP		SCREW						2	
18		CM300300003		HIGH TEMPARATUR- E CAUTION LABEL 2(31.5)						1	

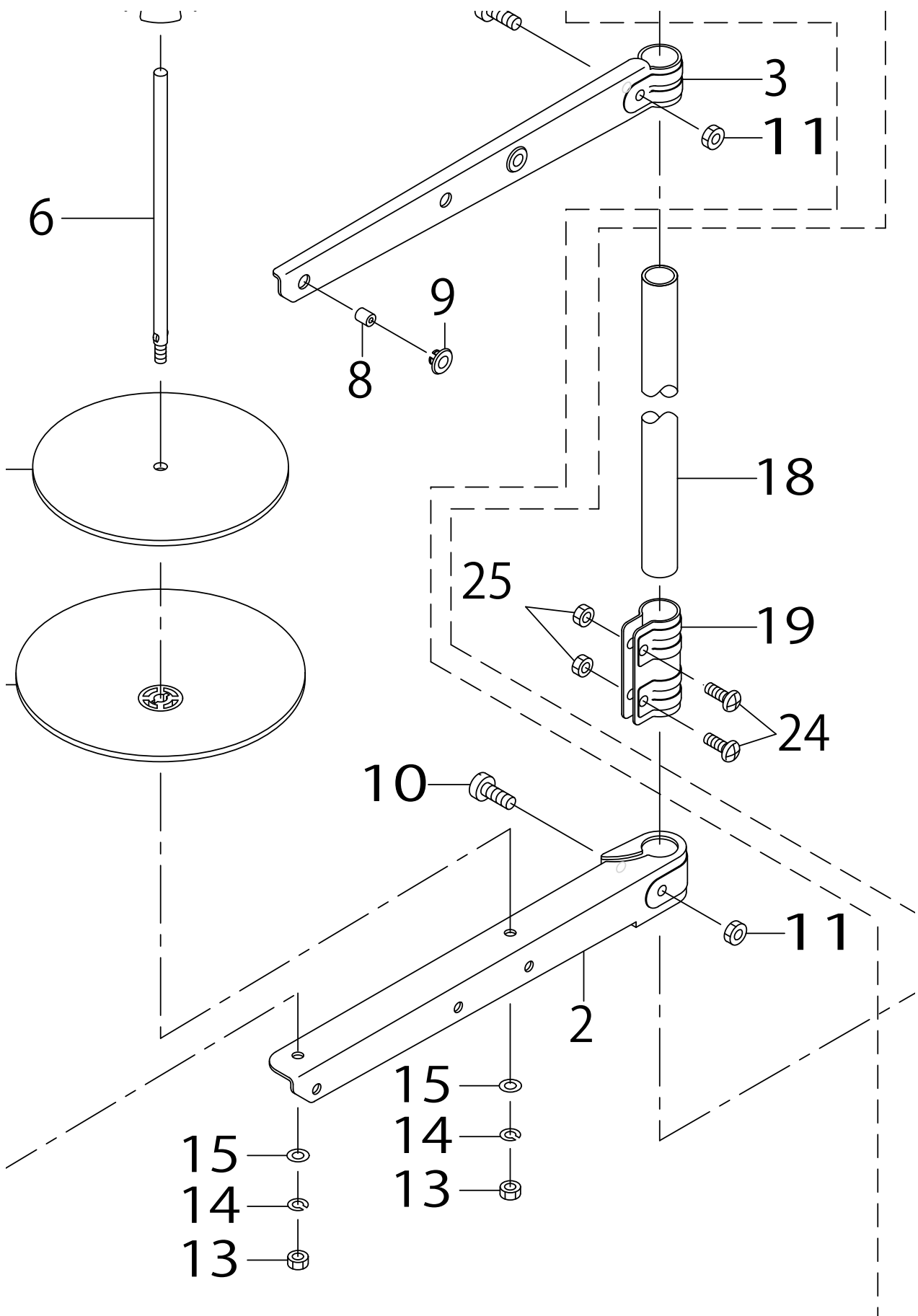
OPERATION PANEL COMPONENTS



OPERATION PANEL COMPONENTS

No.	Supply Code	Parts No.	Replacement	Parts name	Remarks	Choice	Step	Level	Cons	Qty	Rep. QTY
1		40173450		PANEL-F ASSY						1	
2		40173451		PANEL_COVER_F ASSY				*	☆	1	
3		40173459		PANEL COVER R ASM				*		1	
4		40172386		PANEL_COVER_R				*		1	
5		40172420		FIX_PLATE				*		3	
6		40172422		INDICATOR				*		1	
7		40172423		USB_COVER				*		1	
8		40169398		PNL-F PCB ASSY				*		1	
9	D	SV4030802SN		TAPPING SCREW W- ITH FLANGE M3X8				*		1	
10		40174580		PANEL_CABLE_CLAMP_PLATE				*		1	
11	D	SV4030802SN		TAPPING SCREW W- ITH FLANGE M3X8				*		4	
12		SM8050802TP		SCREW M5X0.8 L=8						3	
13		40174408		PANEL_CSHION_RUBBER						2	
14		40175585		CTL-PNL CORD ASSY						1	
15		EA9500B0100		CABLE BAND						1	

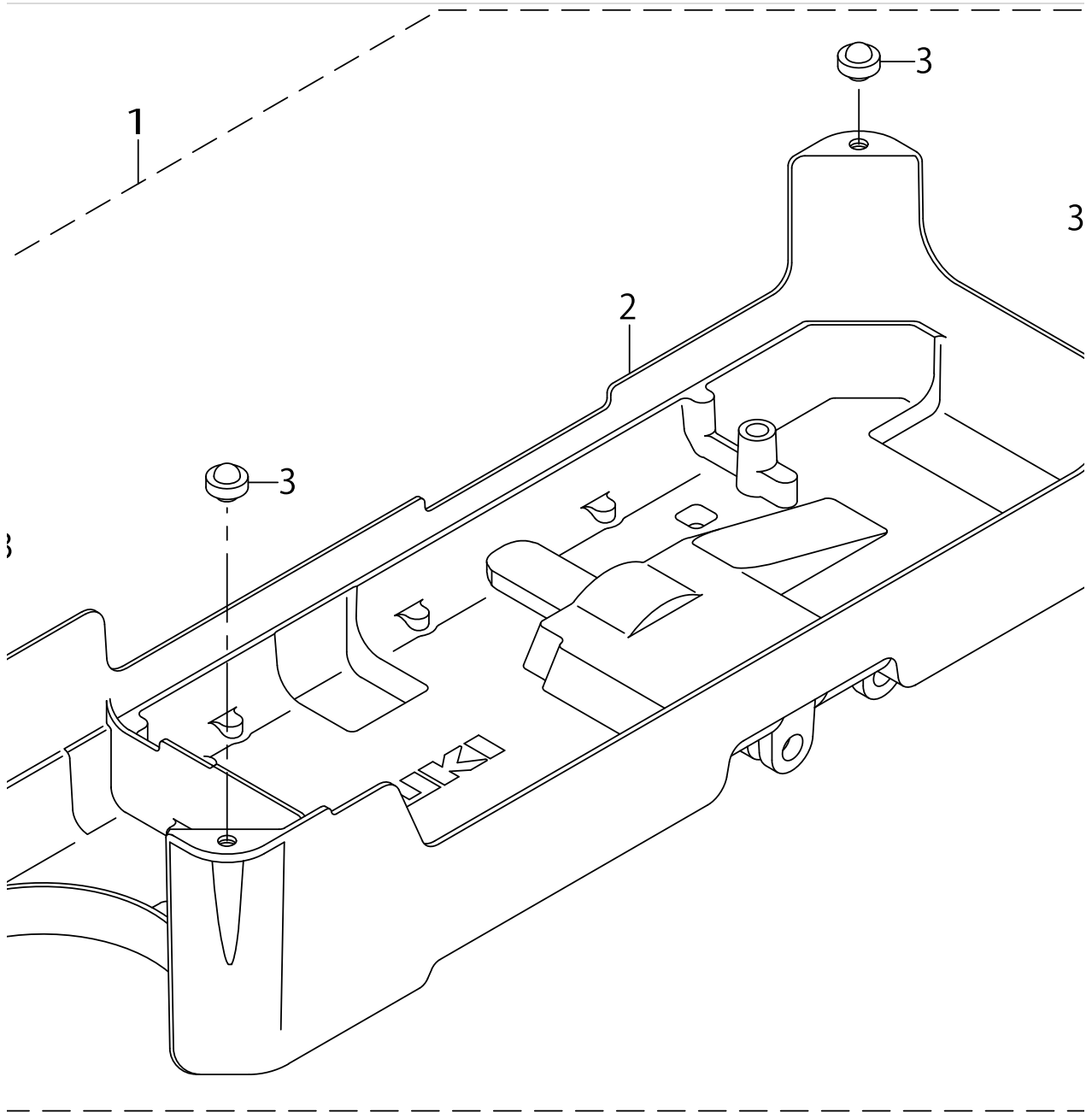
THREAD STAND COMPONENTS



THREAD STAND COMPONENTS

No.	Supply Code	Parts No.	Replacement	Parts name	Remarks	Choice	Step	Level	Cons	Qty	Rep. QTY
1		40108402		THRED_STAND_B						1	
2		40085786		SPOOL REST ARM (LOWER)				*		1	
3		40085787		SPOOL REST ARM (UPPER)				*		1	
4		40085788		SPOOL REST				*		2	
5		40085789		SPOOL REST CUSHION				*		2	
6		40085790		SPOOL PIN				*		2	
7		40085791		SPOOL RETAINER				*		2	
8		40085794		THREAD GUIDE				*		2	
9		40085795		THREAD GUIDE BUSHING				*		2	
10		40096326		SPOOL REST ARM LOWER SCREW				*		1	
11		NM6050001SE		NUT M5				*		2	
12	R	40096327	SM4053001SE	SPOOL REST ARM UPPER SCREW				*		1	1.00
13		NM6050001SE		NUT M5				*		2	
14		WS0510002KN		SPRING WASHER M5				*		2	
15		WP0531001SC		WASHER M5				*		2	
16		40108401		THREAD_STAND_A						1	
17		40085784		SPOOL REST ROD LOWER				*		1	
18		40085785		SPOOL REST ROD UPPER				*		1	
19		40085792		SPOOL REST ROD JOINT				*		1	
20		40085793		SPOOL REST ROD RUBBER CAP				*		1	
21		40096325		SPOOL REST ROD NUT				*		1	
22		WP1612616SE		WASHER 16X30X2.6				*		2	
23		40085796		SPOOL REST ROD RUBBER CUSHION				*		2	
24		SM4051405SE		SCREW M5 L=14				*		2	
25		NM6050001SE		NUT M5				*		2	

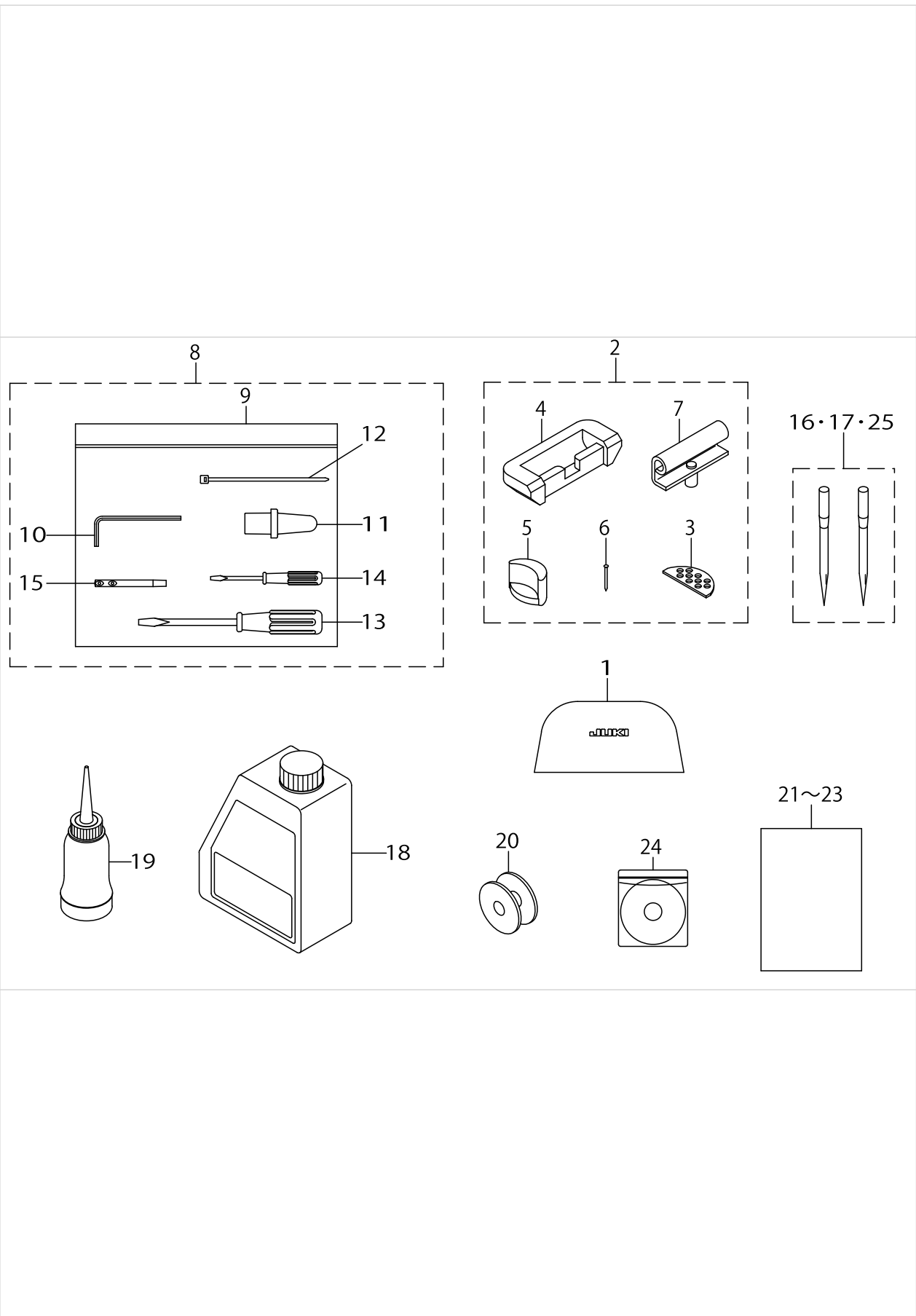
UNDER COVER COMPONENTS



UNDER COVER COMPONENTS

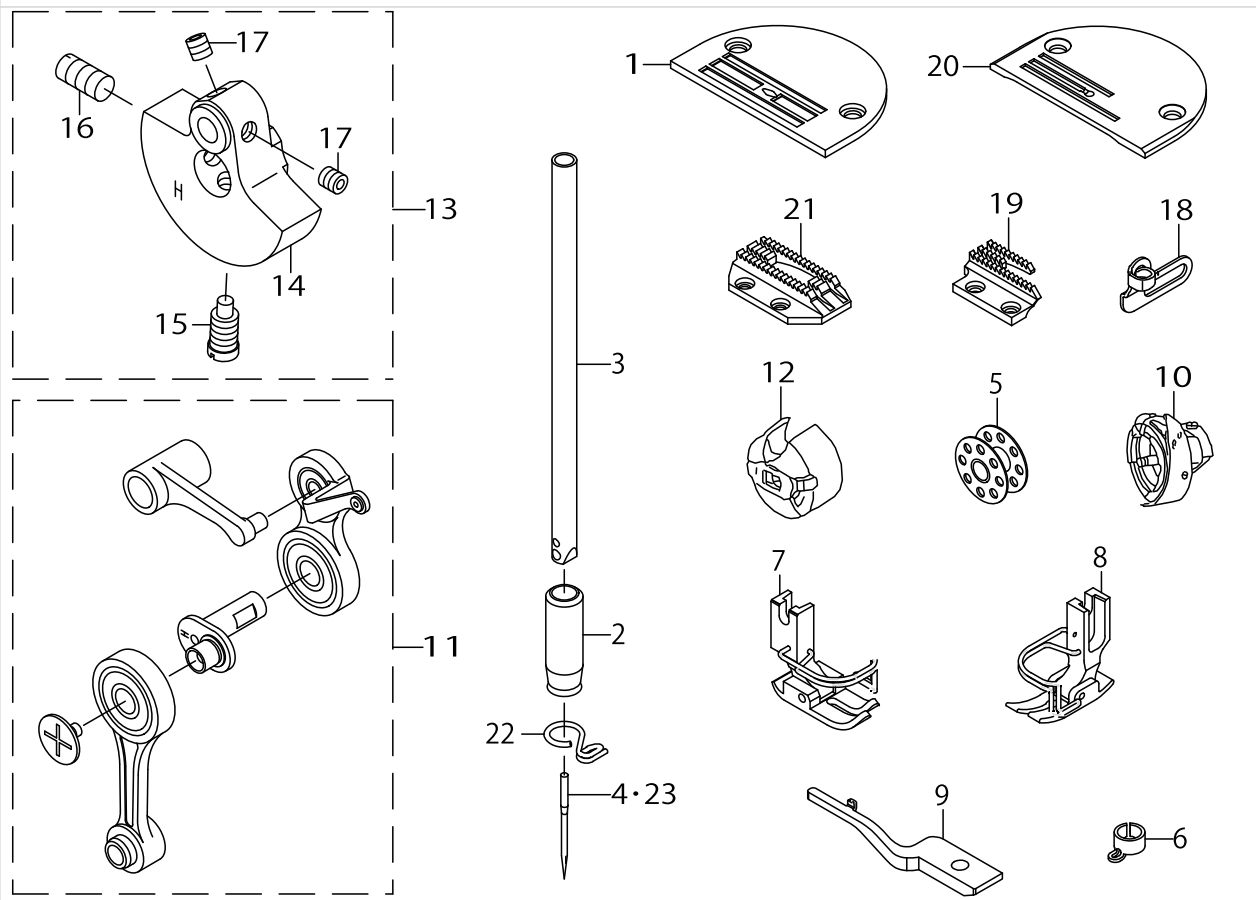
No.	Supply Code	Parts No.	Replacement	Parts name	Remarks	Choice	Step	Level	Cons	Qty	Rep. QTY
1	R	40062323	40062322	UNDERCOVERBASM.						1	1.00
2	R	23639008	40062321	UNDER COVER				*		1	1.00
3		B1116210D00		FRAME SUPPORT RUBBER				*		4	

ACCESSORIE PART COMPONENTS



ACCESSORIE PART COMPONENTS

No.	Supply Code	Parts No.	Replacement	Parts name	Remarks	Choice	Step	Level	Cons	Qty	Rep. QTY
1		40135803		HEAD COVER						1	
2		22958052		RUBBER HINGE ASM.						1	
3	R	22926505	D8226555E00	WASHER				*		2	1.00
4	R	22926000	22958052	RUBBER CUSHION				*		2	1.00
5	R	22958003	11075900	FRAME BUBBER CUSHION				*		2	1.00
6	D	22926208		NAIL				*		8	
7	R	22926356	22958052	HINGE COMPL.				*		2	1.00
8		40174598		ACCESSORIE BAG ASM. F						1	
9		22932800		ACCESSORIE BAG				*		1	
10		40055591		HEXAGONAL WRENCH KYE				*		1	
11		40174570		HEAD_SUPPORT_ROD	FOR AK_A/AK_GG			*		1	
12		EA9500B0100		CABLE BAND				*		1	
13		22933105		SCREW DRIVER (MIDDLE)				*		1	
14		22933204		SCREW DRIVER (SMALL)				*		1	
15		22502504		THREAD GUIDE BAR				*		1	
16	D	MDB100B1402		NEEDLE DBX1#14-2	FOR AA/EE				☆	1	
17		MDB100B1102		NEEDLE DBX1#11-2	FOR GG				☆	1	
18	D R	40102087	MDFRX1600C0	JUKI_MACHINE_OIL_7					☆	1	1.00
19		B91210120A0		OILER ASM.						1	
20		22964001		BOBBIN A					☆	1	
21		40175824		DDL-9000CS SIMPLE MANUAL(10K)	FOR AA/EE					1	
22		40175870		DDL-9000CS SIMPLE MANUAL(CS)	FOR GG					1	
23		40174382		KA154 INSTRUCTION MANUAL/PARTS LIST	FOR AK_A/AK_GG					1	
24		40175822		DDL-9000CS_INSTR- UCTION_MANUAL_CD						1	
25	D	MC200500752		134 #75-2	FOR BB					1	



EXCLUSIVE PARTS DDL-9000C-FSH

No.	Supply Code	Parts No.	Replacement	Parts name	Remarks	Choice	Step	Level	Cons	Qty	Rep. QTY
1		40089605		THROAT_PLATE_J	FOR AA/BB/EE					1	
2		40107708		NEEDLE_BAR_METAL_LOWER_H						1	
3		40061767		NEEDLE BAR H						1	
4		MDB100B2100		NEEDLE DBX1 #21	FOR AA/GG/EE				☆	1	
5	R	B9117012000	22932909	BOBBIN						1	1.00
6		40024124		NEEDLE BAR THREAD GUIDE						1	
7	R	D1524555EBL	D1524555ECL	PRESSER FOOT ASM.	FOR AA/BB/EE					1	1.00
8		40064839		PRESSER FOOT ASM.						1	
9		40174353		INNER_HOOK HOLDER_H						1	
10		11092251		LUBRICATING BOBBIN ASM.					☆	1	
11		40055604		THREAD TAKE UP COMP. H						1	
12		40000264		BOBBIN CASE ASM.					☆	1	
13		40055058		ASSY COUNTER WEIGHT H						1	
14		40053411		COUNTER WEIGHT H					*	1	
15		40004171		COUNTER_WEIGHT_SCREW					*	1	
16		SM8081652TP		SCREW M8 L=16					*	1	
17		SM80606A2TP		SCREW M6 L=6					*	2	
18		40063697		ARM THREAD GUIDE A H						1	
19		11062601		FEED DOG	FOR GG					1	
20		11062007		THROAT PLATE A	FOR GG					1	
21		11403003		FEED J	FOR AA/BB/EE					1	
22		40023223		NEEDLE BAR THREAD GUIDE						1	
23		MC200501300		NEEDLE 134 NM130	FOR BB					1	

TABLE & STAND COMPONENTS

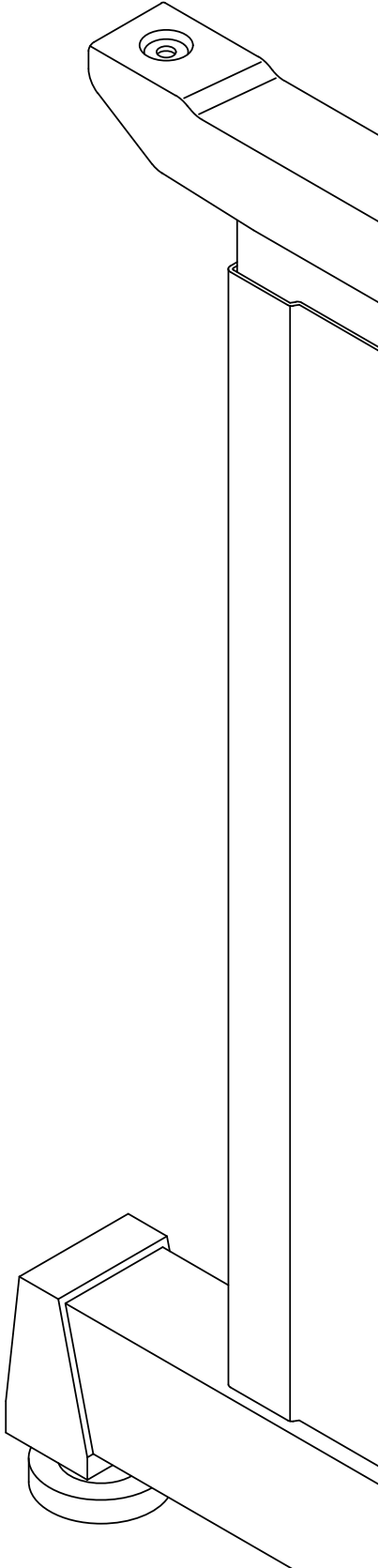
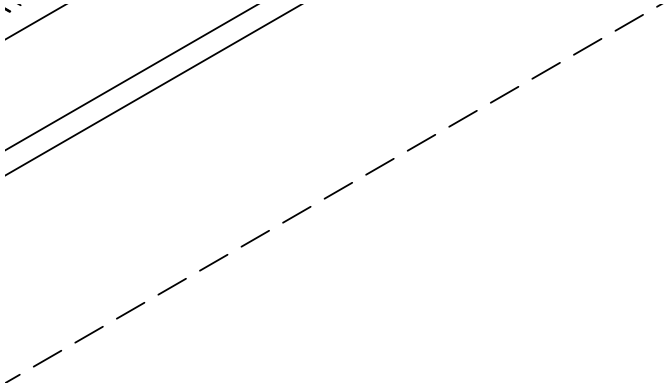
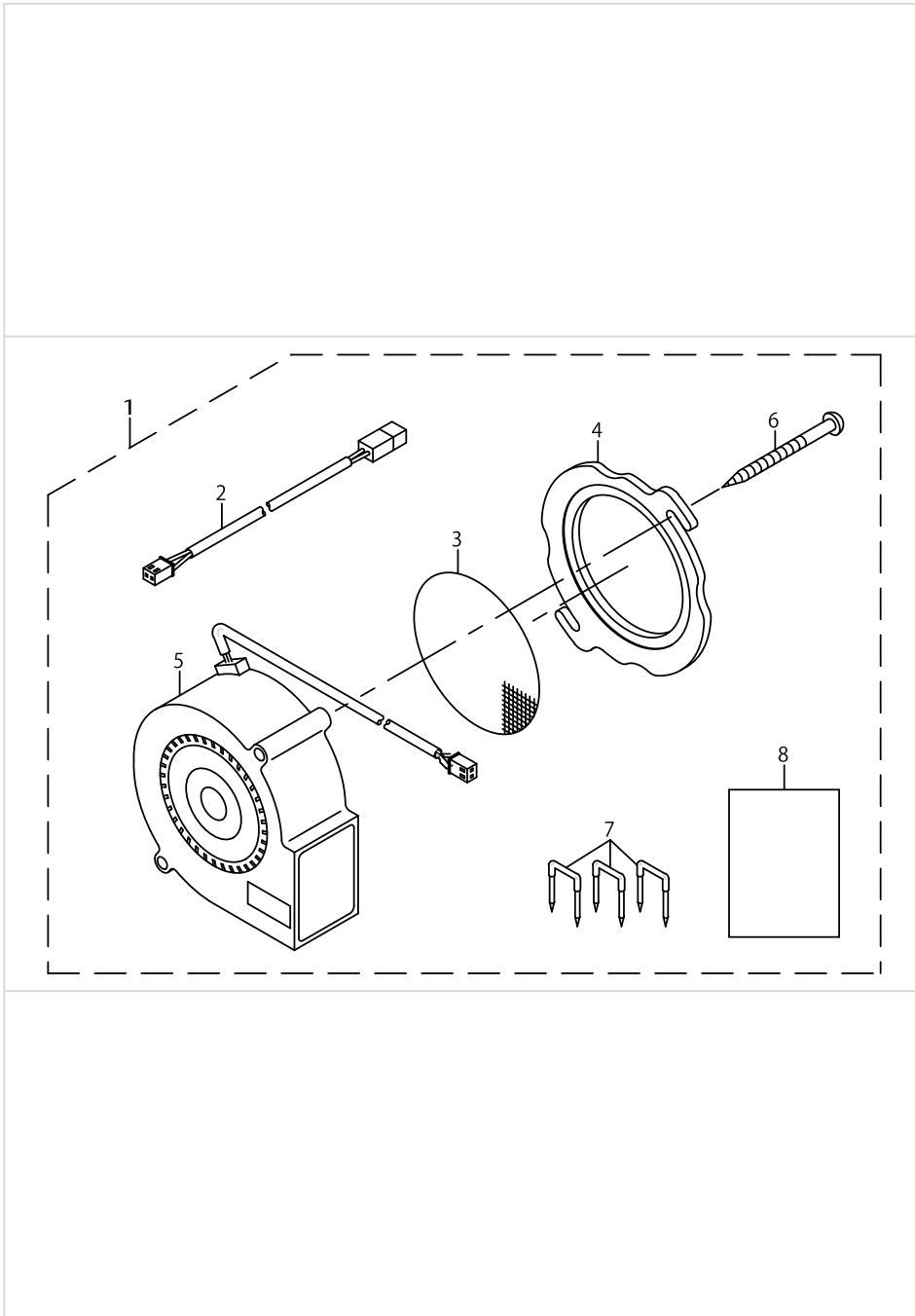


TABLE & STAND COMPONENTS

No.	Supply Code	Parts No.	Replacement	Parts name	Remarks	Choice	Step	Level	Cons	Qty	Rep. QTY
1		40174410		TABLE ASM.						1	
2		40172421		TABLE				*		1	
3		11075900		RUBBER SPACER				*		2	
4		11075801		RUBBER SPACER				*		2	
5		B8210012000		CUSHION SET NAIL				*		4	
6		B8210012000		CUSHION SET NAIL				*		4	
7		D8226555E00		FRAME RUBBER CUSHION A				*		2	
8		11157567		T LEG JUNCTION	FOR JT-D950					1	
9		GPK700010A0		3-JOINT PEDAL 70	FOR JT-D-95A/-D95B					1	
10	R	11157559	11157567	T-STAND ASM.	FOR JT-D-95A/-D95B					1	1.00
11		11155769		SMALL CASTINGS BOX B ASM.						1	
12		11156007		CASE				*		1	
13		11155801		CASE MAGNET				*		1	
14		11155751		CASE ASM. B				*		1	
15		SK3382001SC		WOOD SCREW D=3.8 L=20				*		4	
16		11155157		DRAWER ASM.						1	
17	R	11155108	11155157	DRAWER				*		1	1.00
18		11155207		DRAWER SUPPORT				*		2	
19		SK3311600SE		WOOD SCREW D=3.1 L=16				*		6	
20		GPK710010A0		2-PEDAL ASM. 71	FOR JT-D-95A/-D95B					1	
21		D8204555D00		DRAWER STOPPER						1	
22	R	SK3513200SC	SK3513201SE	WOOD SCREW D=5.1 L=32						4	1.00
23		11159456		CASTER ASM.	OPTIONAL PARTS					1	
24		SM9086523SE		HEXAGONAL BOLT				*		2	
25		11159407		CASTER				*		4	
26		11159506		STRUT AUXILIARY PLATE				*		2	
27		WS0861410KR		SPRING WASHER 8.6X15X1.4				*		2	
28		WP0871602SE		WASHER 8.7X18X1.6				*		2	

SPECIAL ORDER PARTS



SPECIAL ORDER PARTS

No.	Supply Code	Parts No.	Replacement	Parts name	Remarks	Choice	Step	Level	Cons	Qty	Rep. QTY
1		40065571		ELECTRIC FAN HO- OK COOLING DEVICE						1	
2		40044065		FAN_RELAY_CABLE				*		1	
3		40064805		FAN FILTER				*		1	
4		40064806		FANCOOLINGCOVER				*		1	
5		40065564		FAN MOTOR ASSY				*		1	
6		SK3415001SE		SCREW D=4.1 L=50				*		2	
7		MA011532000		CORD STAPLE				*		3	
8		40065572		HOOK COOLING DE- VICE INSTRUCTION MANUAL				*		1	

LIST FOR INFORMATION OF CHANGE

As to the place changed, refer to the corresponding Rev.No.
 When previous parts(Obsoleted part)and new parts(Added parts)are not interchangeable with each other:
 In this case,even obsoleted parts(D,)can be ordered with the obsoleted part number,so select the parts with changed dates and place your orders.

変更箇所は、該当Rev.No.版をご参照ください。
 部品の互換性がない変更の場合は、削除された品番でも、ご注文できます。

No.1696-01 Rev.No.

*A:Added parts追加部品/D:Obsoleted parts削除部品/E:Erratum訂正

* Rev. No.	Page No.	Ref. No.	Parts No. 品番	* Rev. No.	Page No.	Ref. No.	Parts No. 品番
D 00	2	8	401-74368				
D 00	8	35	SM-6041202-TP	A 01	8	35	SM-6041002-TP
				A 01	8	53	PS-0500142-KP
				A 01	8	54	401-72415
				A 01	8	55	401-72424
				A 01	8	56	WP-0621036-SP
D 00	10	60	401-74304	A 01	10	60	401-74317
				A 01	10	61	SM-8050612-TP
D 00	12	10	401-68921	A 01	12	10	401-68922
				A 01	12	50	401-74396
				A 01	16	88	401-74398
				A 01	16	89	400-86709
				A 01	16	90	401-74315
				A 01	16	91	401-74316
				A 01	16	92	401-72485
				A 01	16	93	401-72488
				A 01	16	94	401-68860
				A 01	16	95	401-72477
				A 01	16	96	401-74314
D 00	19	4	401-68922	A 01	19	4	401-68921
				A 01	23	25	MC-2005007-52
				A 01	24	23	MC-2005013-00

HOW TO MAKE USE OF THIS PARTS LIST

1.Explanation of codes

1)"*"mark.....means this part is changed from the previous parts book.

As to the details of the change, refer to the "List for information of change".

2)"#01".....refer to "Note" explanation at bottom of page.

2.Codes on the "Qty" column

- Each numeral indicates the number of parts required.
- "0.1" and "2.5" indicate the length (in meters) of the respective parts.

3.Parentheses mean that the corresponding part is a subpart that constructs an assembly part.

4.Dotted lines on the Figures indicate assembly parts.

5.As to the parts with marks of "☆"(consumable parts) and "◎"(optional parts)on the respective parts, it is recommended to prepare spares.

Sign	Place of destination
GG	China
BB	Europe
EE	Japan
AA	excludes China,Europe and Japan

1."注記"欄の記号説明

1) "*"印.....前回のパーツブックに比較して今回変更された部品を意味します。

変更内容は、"変更情報リスト"を参照してください。

2) "#01".....ページ下の"注記"の説明を参照してください。

2.数量欄の数字は、個数を表し、0.1、2.5等の数値は、長さ（単位メートル）を表します。

3.数量欄の（ ）は、組部品を構成している子部品であることを意味します。

4.イラストページの-----枠は、組構成であることを意味します。

5.リストページの"☆"（消耗部品）、"◎"（オプション部品）の印がついた部品は、予備を準備しておくことをお奨めします。

記号	仕向地
GG	中国
BB	ヨーロッパ
EE	日本
AA	中国、ヨーロッパ、日本を除く

NUMERICAL INDEX OF PARTS

PART NO	PAGE	REF NO.	PART NO	PAGE	REF NO.	PART NO	PAGE	REF NO.
10523702	18	33	22906408	10	4	23630106	34	38
10618304	30	49	22906457	10	3	23630403	34	41
11015906	26	4	22911002	18	19	23630502	34	42
11028008	4	60	22911101	18	11	23630601	34	40
11038650	26	29	22912307	20	54	23630650	34	39
11038759	26	25	22916506	26	3	23639008	44	2
11062007	48	20	22916555	26	2	26201004	4	73
11062601	48	19	22920409	4	57	26260208	8	3
11075801	50	4	22921308	8	27	26260307	8	4
11075900	50	3	22921407	8	28	26260406	8	5
11079506	26	36	22921506	4	83	26260505	8	6
11092251	48	10	22921506	8	29	26260604	8	7
11155108	50	17	22921605	4	80	26260802	8	8
11155157	50	16	22921704	8	30	26261206	8	10
11155207	50	18	22925101	36	58	26261305	8	11
11155751	50	14	22926000	46	4	26261503	8	12
11155769	50	11	22926208	46	6	26261602	8	13
11155801	50	13	22926356	46	7	26261701	8	14
11156007	50	12	22926505	46	3	26302901	14	14
11157559	50	10	22932800	46	9	40000264	48	12
11157567	50	8	22933105	46	13	40000344	34	21
11159407	50	25	22933204	46	14	40004171	10	17
11159456	50	23	22945414	2	44	40004171	48	15
11159506	50	26	22945604	4	46	40009037	4	61
11403003	48	21	22945703	4	47	40010278	38	8
11419504	30	83~87	22945802	4	48	40010805	26	11
11419603	30	83~87	22950000	30	76	40011144	8	15
11419702	30	83~87	22952501	20	56	40013595	34	32
11419801	30	83~87	22958003	46	5	40015671	30	66
11419900	30	83~87	22958052	46	2	40023223	48	22
11420601	28	6	22963409	2	45	40024124	48	6
13319405	22	26	22963458	2	43	40026277	18	10
13738802	30	82	22964001	26	26	40026281	18	28
22502504	46	15	22964001	46	20	40026282	18	32
22890206	26	30~32	23605207	10	13	40029398	28	37
22890305	26	30~32	23616709	18	21	40032269	10	38
22890404	26	30~32	23626104	2	41	40035589	2	16
22896252	26	34	23628803	36	46	40036997	28	35
22901300	2	33	23628902	36	47	40036998	28	33
22901409	10	2	23629207	36	53	40037005	18	27
22901409	36	51	23629256	36	52	40037008	8	32
22901805	4	52	23629306	34	28	40037365	18	9
22904106	18	23	23629405	34	34	40038328	36	48
22904155	18	22	23630007	34	56	40042079	18	17
22906309	12	47	23630007	36	56	40044065	52	2

NUMERICAL INDEX OF PARTS

PART NO	PAGE	REF NO.	PART NO	PAGE	REF NO.	PART NO	PAGE	REF NO.
40044857	10	12	40086692	26	14	40172135	26	16
40052933	4	55	40086695	18	35	40172137	22	2
40053411	48	14	40086696	18	36	40172138	18	44
40055058	48	13	40086697	34	22	40172146	10	27
40055591	46	10	40086699	38	14	40172364	2	1
40055604	48	11	40086709	30	15-89	40172366	2	14
40058504	18	16	40086711	30	46	40172367	2	29-30
40061215	28	34	40086712	30	52	40172368	2	31-32
40061246	18	15	40086731	10	46	40172369	2	29-30
40061767	48	3	40086735	18	34	40172370	2	31-32
40062168	28	19	40086736	18	40	40172371	2	3
40062323	44	1	40086748	30	65	40172373	2	4
40063697	48	18	40088958	8	25	40172374	2	5
40064805	52	3	40088959	8	26	40172375	2	11
40064806	52	4	40089605	48	1	40172376	2	12
40064839	48	8	40090058	10	6	40172377	10	25
40065564	52	5	40090099	30	61	40172378	20	46
40065571	52	1	40095843	30	62	40172380	8	1
40065572	52	8	40096325	42	21	40172381	8	2
40070531	14	13	40096326	42	10	40172382	8	16
40075404	36	59	40096327	42	12	40172383	8	9
40085784	42	17	40102087	46	18	40172384	4	63
40085785	42	18	40102261	2	26	40172386	40	4
40085786	42	2	40107708	48	2	40172389	14	4
40085787	42	3	40108401	42	16	40172390	2	37
40085788	42	4	40108402	42	1	40172391	2	18
40085789	42	5	40126724	4	85	40172392	2	22
40085790	42	6	40135803	46	1	40172393	10	22
40085791	42	7	40135904	10	15	40172398	10	21
40085792	42	19	40135905	10	31	40172399	10	1
40085793	42	20	40135907	10	35	40172404	14	1-48
40085794	42	8	40135916	10	16	40172405	16	1-48
40085795	42	9	40136258	36	63	40172407	14	2
40085796	42	23	40136701	28	14	40172408	14	3
40086597	10	20	40139753	2	7	40172409	14	5
40086602	10	8-48	40141440	10	44	40172410	14	7
40086604	12	8-48	40141757	14	16	40172411	14	8
40086605	10	9	40145927	26	10	40172412	14	9
40086606	14	38	40149785	34	20	40172413	14	10
40086607	14	39	40168860	32	94	40172415	16	54
40086616	18	45	40168921	38	4	40172417	8	17
40086623	30	68	40168922	22	10	40172418	10	24
40086624	30	63	40168923	14	34	40172420	40	5
40086635	30	54	40169398	40	8	40172421	50	2
40086691	26	13	40172134	18	25	40172422	40	6

NUMERICAL INDEX OF PARTS

PART NO	PAGE	REF NO.	PART NO	PAGE	REF NO.	PART NO	PAGE	REF NO.
40172423	40	7	40172483	30	57	40174314	32	27·96
40172424	16	55	40172484	28	24·94	40174315	30	17·90
40172425	14	17	40172485	32	1·92	40174316	32	11·91
40172428	14	20	40172486	28	3	40174317	20	60
40172429	14	22	40172487	28	2	40174318	28	4·93
40172430	34	16	40172488	32	4·93	40174319	28	1·92
40172433	34	17	40172489	28	5	40174321	22	5
40172436	34	29	40172490	30	69	40174323	28	13·88
40172437	34	19	40172491	28	39	40174324	28	15·89
40172439	22	41	40172494	28	40	40174325	22	9
40172440	22	28·50	40172495	30	53	40174328	26	1
40172443	22	14	40172496	30	56	40174331	26	6
40172444	22	18	40172497	28	7	40174332	26	7
40172446	22	21	40172498	28	9	40174333	26	17
40172448	22	24	40172499	28	11·91	40174334	24	49
40172451	22	34	40172500	28	17·90	40174335	26	19~23
40172452	22	35	40172501	30	72	40174336	26	19~23
40172453	22	29	40172502	30	73	40174337	26	19~23
40172454	22	23	40172503	30	74	40174338	26	19~23
40172455	22	12	40172504	30	71	40174341	10	30
40172456	38	6	40172508	18	43	40174342	10	32
40172457	38	13	40172509	20	49	40174343	10	33
40172458	38	12	40172510	20	50	40174344	10	34
40172459	38	2	40173450	40	1	40174349	10	41
40172460	18	41	40173451	40	2	40174350	4	65
40172461	22	38	40173459	40	3	40174351	26	27
40172463	14	31	40173467	22	40	40174353	48	9
40172464	16	49	40174291	20	47	40174356	36	60
40172465	14	11	40174293	20	52	40174358	34	3
40172466	14	36	40174294	20	53	40174359	34	4
40172467	18	38	40174295	14	28	40174360	34	7
40172469	34	6	40174296	18	1	40174361	34	8
40172470	4	76	40174297	18	2	40174362	34	13
40172472	4	86	40174298	18	7	40174365	34	44
40172473	4	87	40174299	18	26	40174366	38	1
40172474	4	88	40174300	18	13	40174369	26	19~23
40172475	4	74	40174302	18	14	40174372	38	16
40172476	4	67	40174305	2	20	40174373	4	49
40172477	28	26·95	40174306	34	11	40174382	46	21~23
40172477	32	26·95	40174307	34	33	40174384	14	23
40172478	28	27·96	40174308	14	26	40174385	4	53
40172479	28	28	40174309	14	18	40174392	4	50
40172480	28	30	40174311	4	72	40174394	34	12
40172481	28	20	40174312	6	90	40174396	24	28·50
40172482	28	21	40174313	4	84	40174398	30	13·88

NUMERICAL INDEX OF PARTS

PART NO	PAGE	REF NO.	PART NO	PAGE	REF NO.	PART NO	PAGE	REF NO.
40174399	36	62	CS1201171TP	22	7	RE0500000K0	14	21
40174405	20	58	D1524555EBL	48	7	RE0500000K0	30	48
40174408	40	13	D8204555D00	50	21	RE0800000K0	14	6
40174410	50	1	D8226555E00	50	7	RO036080200	26	35
40174570	46	11	EA9500B0100	2	35-36	RO037180100	34	45
40174573	14	44	EA9500B0100	10	29	RO048190100	34	23
40174574	14	25	EA9500B0100	16	52	RO061180100	34	18
40174577	22	46	EA9500B0100	40	15	RO068190100	36	49
40174580	40	10	EA9500B0100	46	12	RO098240100	34	31
40174581	22	15	G1812870000	26	12	SB106000400	14	19
40174582	22	16	GPK26023000	14	45	SB106000500	14	24
40174583	28	41	GPK700010A0	50	9	SB108000200	14	27
40174584	28	44	GPK710010A0	50	20	SB120001800	22	3
40174590	22	1	HM002230000	22	36	SB120002700	10	11
40174598	46	8	HX00150000A	16	46	SB408000100	22	33
40175585	40	14	HX00150000K	34	43	SB408000100	26	18
40175822	46	24	HX00339000E	2	38	SB408000100	38	11
40175824	46	21~23	KX000000230	2	35-36	SB412000100	22	6
40175870	46	21~23	MAO11532000	52	7	SD0500403TP	28	25
40178658	34	37	MC200500752	46	16-17-25	SD0500701TP	30	50
B1109012I0B	4	58-59	MC200501300	48	4-23	SD0630275SP	30	75
B1109552000	4	58-59	MDB100B1100	10	42-43	SD0641456TP	28	38
B1116210D00	28	8	MDB100B1102	46	16-17-25	SK3311600SE	50	19
B1116210D00	44	3	MDB100B1400	10	42-43	SK3382001SC	50	15
B1116804000	30	60	MDB100B1402	46	16-17-25	SK3415001SE	52	6
B15240120BA	14	42	MDB100B2100	48	4-23	SK3513200SC	50	22
B1613012I00	22	45	NM6040000SN	4	71	SL4031291SC	16	51
B2431215000	20	51	NM6040001SE	28	42	SL4031491SC	22	37
B3118552H00	4	79	NM6040001SP	30	67	SL4031691SC	16	50
B3132012000	6	89	NM6050001SC	28	16	SL4040881SC	4	62
B412352200A	18	4	NM6050001SE	42	25	SL4041281SC	4	64
B412352200B	18	5	NM6060001SC	30	58	SL4051091SC	34	30
B412352200C	18	6	NS6110310SP	30	51	SL6040892TN	2	39
B8210012000	50	6	NS6150310SP	30	77	SL6040892TN	34	24
B9117012000	48	5	PS0500142KP	16	53	SL6051492TN	2	15
B9117552A00	26	33	RC0410415KP	4	77	SL6052592TN	10	28
B91210120A0	46	19	RC0560711KP	8	18	SL6061292TN	14	37
CM300200001	2	27	RC0740811KP	22	31	SM0050801SC	8	33
CM300200003	2	28	RC1200001KP	22	4	SM2040750TP	2	25
CM300300003	22	44	RC1700001KP	4	81	SM2040955TP	2	24
CM300300003	38	18	RC2651218KP	28	32	SM4040601SC	16	47
CQ200000001	36	57	RE0300000K0	10	36	SM4040655SP	14	12
CQ250000001	36	54	RE0400000K0	4	75	SM4040655SP	20	59
CS0800881TP	28	22	RE0400000K0	8	19	SM4040655SP	34	14
CS1000881TP	10	39	RE0500000K0	4	66	SM4040855SP	2	17

NUMERICAL INDEX OF PARTS

PART NO	PAGE	REF NO.	PART NO	PAGE	REF NO.	PART NO	PAGE	REF NO.
SM4041055SP	36	61	SM8050612TP	38	10	TA0180401M0	26	8
SM4041255SP	22	39	SM80506A2TP	10	40	TA0290301M0	26	9
SM4041455SN	2	10	SM80506A2TP	18	37	TA1250406R0	2	40
SM4050655SP	2	54	SM80506A2TP	28	31	WP0410846SC	4	68
SM4050655SP	4	54	SM8050802TP	40	12	WP0450801SD	34	15
SM4050655SP	28	10	SM80508A2TP	14	32	WP0450826SC	8	23
SM4050855SP	4	70	SM80606A2TP	10	19	WP0531000SD	18	30
SM4050855SP	18	31	SM80606A2TP	18	42	WP0531001SC	42	15
SM4050855SP	38	17	SM80606A2TP	22	8	WP0550800SP	22	43
SM4051055SP	2	13	SM80606A2TP	30	64	WP0621016SD	30	45
SM4051055SP	8	31	SM80606A2TP	48	17	WP0621016SH	30	78
SM4051255SP	2	2	SM8060812TP	30	55	WP0621036SP	16	56
SM4051255SP	22	22	SM80608A2TP	2	56	WP0661016SP	14	33
SM4051255SP	34	5	SM80608A2TP	4	56	WP0820516SP	22	32
SM4051255SP	38	9	SM80608A2TP	10	37	WP0820526SD	14	30
SM4051405SE	42	24	SM80608A2TP	14	29	WP0871602SE	50	28
SM5040655SN	2	42	SM80608A2TP	24	48	WP0951016SP	14	41
SM5040655SN	8	20	SM80608A2TP	26	24	WP1612616SE	42	22
SM5040655SN	36	55	SM80608A2TP	28	12	WS0410002KR	28	43
SM6031002TN	4	82	SM8061010TP	30	80	WS0510002KN	42	14
SM6040602TP	34	9	SM8061050TP	30	79	WS0861410KR	50	27
SM6041002TP	14	35	SM8081652TP	10	18			
SM6041002TP	22	11	SM8081652TP	48	16			
SM6041002TP	38	5	SM8480652TP	22	25			
SM6042000SP	10	45	SM8480652TP	28	29			
SM6042000SP	24	47	SM8480652TP	38	15			
SM6050802TP	22	42	SM9040650TP	22	17			
SM6050802TP	30	70	SM9086523SE	50	24			
SM6050802TP	36	50	SQ2050453MZ	36	64			
SM6051400SP	14	40	SS4080620TP	22	30			
SM6051400SP	18	29	SS4111015SP	26	28			
SM6051402TP	28	18	SS6060210SP	2	34			
SM6051602TP	20	55	SS6090620TP	18	20			
SM6051602TP	38	3	SS6090670TP	10	5			
SM6051850TP	20	57	SS6090670TP	18	8			
SM6060802TP	2	23	SS6090670TP	28	36			
SM6061002TP	22	13	SS6110710TP	26	15			
SM6061002TP	30	81	SS6110710TP	30	47			
SM6061002TP	38	7	SS6121610SP	18	18			
SM7040800SL	4	69	SS7080510TP	10	7			
SM8040412TP	8	21	SS7091110TP	14	43			
SM8040612TP	4	78	SS7111110TP	14	15			
SM8050402TP	34	2	SS8150822TP	18	3			
SM8050502TP	8	22	SS8660610TP	18	24			
SM8050612TP	20	61	SV4030802SN	40	11			