

MODEL : AMS-224EN4530R/AW3

List No : 1699-00

# PARTS LIST

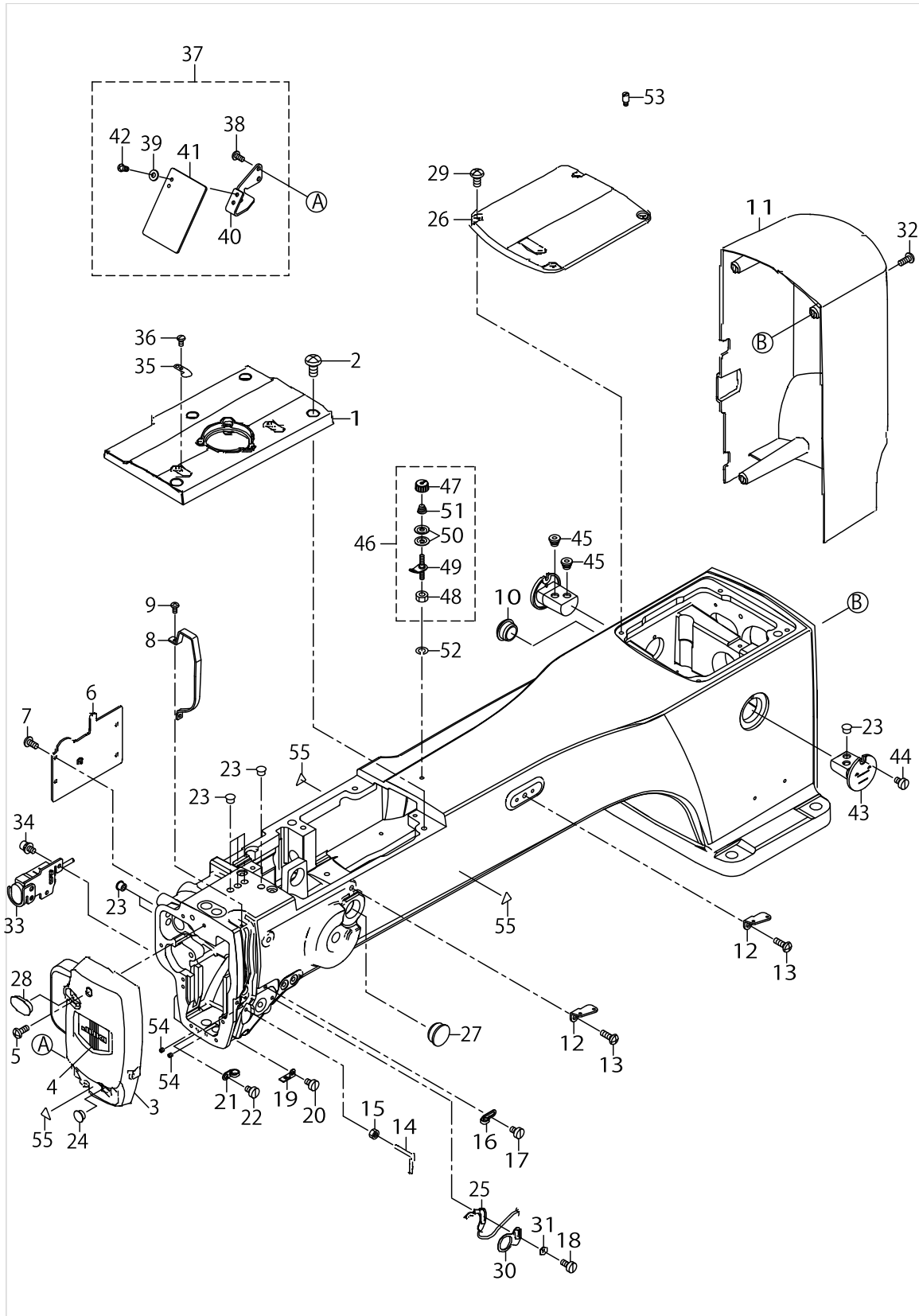
Published:05/12/2017

## CONTENTS

---

FRAME & MISCELLANEOUS COVER COMPONENTS (1) .....	1
FRAME & MISCELLANEOUS COVER COMPONENTS (2) .....	5
FRAME & MISCELLANEOUS COVER COMPONENTS (3) .....	7
MAIN SHAFT & NEEDLE BAR COMPONENTS .....	13
PRESSER MECHANISM & PRESSER VARIABLE COMPONENTS (1) .....	17
PRESSER MECHANISM & PRESSER VARIABLE COMPONENTS (2) .....	21
LOWER SHAFT COMPONENTS (1) .....	25
LOWER SHAFT COMPONENTS (2) .....	27
WIPER MECHANISM COMPONENTS .....	31
TENSION RELEASE & THREAD TENSION COMPONENTS .....	33
THREAD TRIMMER MECHANISM COMPONENTS .....	37
X-Y COMPONENTS (1) .....	41
X-Y COMPONENTS (2) .....	47
CLOTH FEED MECHANISM COMPONENTS .....	49
PNEUMATIC COMPONENTS .....	53
THREAD STAND COMPONENTS .....	55
OPERATION PANEL COMPONENTS .....	57
CONTROL BOX COMPONENTS .....	59
WIRING DIAGRAM .....	63
TABLE COMPONENTS .....	67
PEDAL COMPONENTS .....	71
ACCESSORIE PARTS COMPONENTS .....	73
SEPARATE STROKE TYPE EXCLUSIVE PARTS .....	75
CONVEY UNIT COMPONENTS .....	77
UNWINDING UNIT COMPONENTS .....	81
UNTYING UNIT COMPONENTS .....	85
WINDING UNIT COMPONENTS .....	87
SUPPORT UNIT COMPONENTS .....	91
THREAD MEASURING UNIT COMPONENTS .....	93
HOUSING COMPONENTS .....	97
ELECTRICAL BOX COMPONENTS .....	101
WIRING DIAGRAM (AW-3) .....	105
HOW TO MAKE USE OF THIS PARTS LIST .....	107

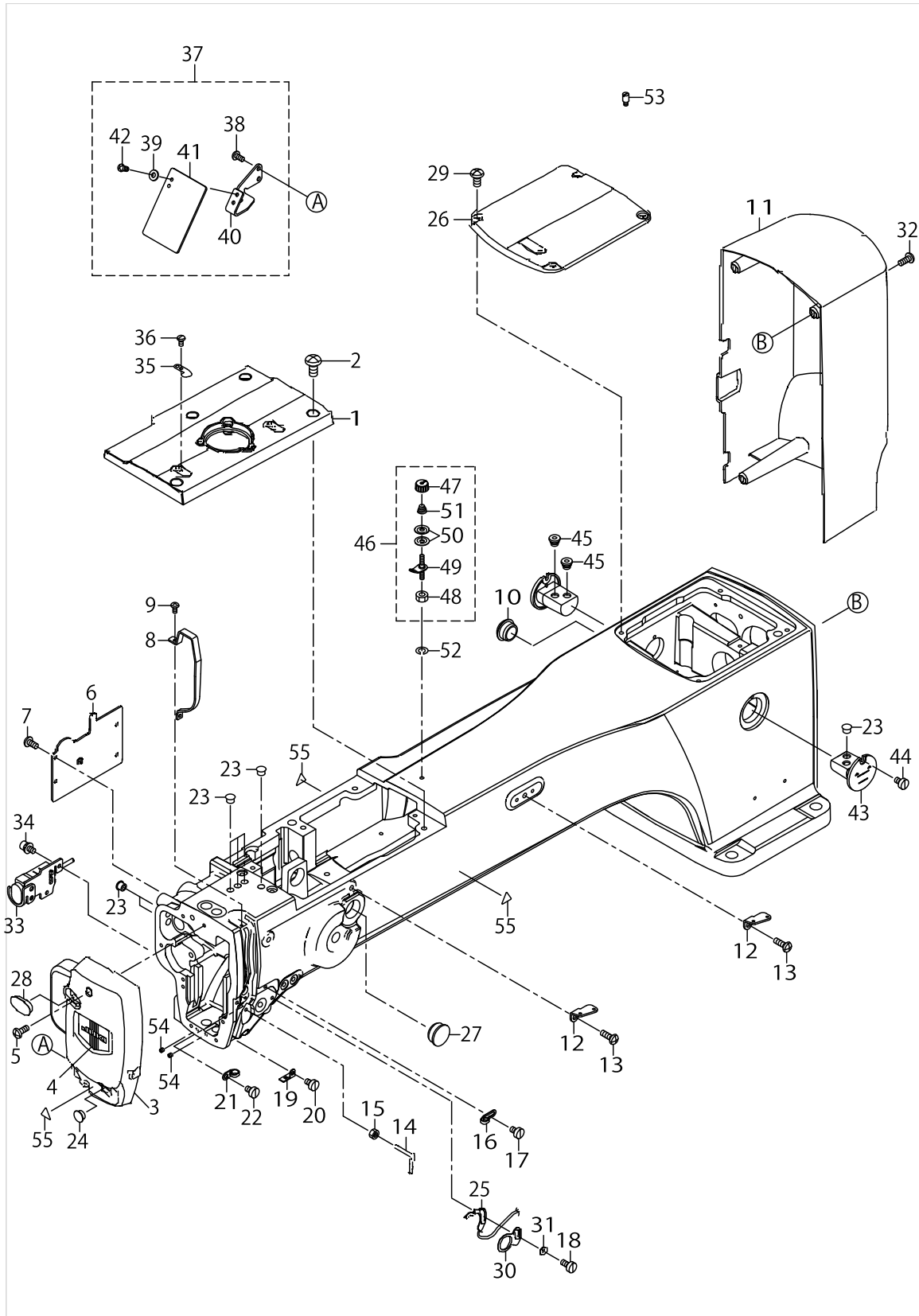
FRAME & MISCELLANEOUS COVER COMPONENTS (1)



FRAME & MISCELLANEOUS COVER COMPONENTS (1)

No.	Supply Code	Parts No.	Replacement	Parts name	Remarks	Choice	Step	Level	Cons	Qty	Rep. QTY
1		40032158		TOP_COVER_FRONT						1	
2		SM4061255SP		SCREW M6 L=12						4	
3		40026979		FACE_COVER						1	
4		22902506		FACE PLATE						1	
5		SM4041055SP		SCREW						2	
6		40024999		PRESSER_COVER						1	
7		SM4040855SP		SCREW						4	
8		40030828		THREAD_TAKE_UP_LEVER_COVER						1	
9		SM4030601SN		SCREW M3X6						2	
10		TA2100904R0		RUBBER PLUG						1	
11		40027971		MOTOR_COVER						1	
12		26211904		THREAD GUIDE PLATE						2	
13		SM4061255SP		SCREW M6 L=12						2	
14		40025414		L_SHAPED_THREAD_GUIDE						1	
15		NM6040000SN		NUT M4						1	
16		22920508		ARMTHREADGUIDEA						1	
17		SM6040650TP		SCREW						1	
18		SM6040860TP		SCREW M4 L=8						1	
19		B1129210000		FRAME THREAD GUIDE (B)						1	
20		SM6040650TP		SCREW						1	
21		13705108		TAKE-UP THREAD GUIDE B						1	
22		SM6040650TP		SCREW						1	
23		TA0850604R0		RUBBER PLUG						7	
24		TA1050504R0		RUBBER PLUG						1	
25		40073678		THB SENSOR CABLE ASM.						1	
26		40032159		TOP_COVER_REAR						1	
27		TA2351004R0		RUBBER PLUG						1	
28		40028877		FACE_COVER_CAP						1	
29		SM4051055SP		SCREW						4	
30		40028834		GUIDE_PLATE						1	
31		40028835		BUSHING						1	
32		SM4041055SP		SCREW						4	
33		40073676		STOP SW ASM						1	
34		SL6040892TN		BOLT						2	
35		10502300		THREAD CUTTER						1	
36		SM4030601SN		SCREW M3X6						1	
37		40006484		SAFETY PLATE COMPL.						1	
38		SM4040855SP		SCREW				*		2	
39		WP0450801SD		WASHER 4.5X10X0.8				*		2	
40		40051987		SAFETY PLATE BASE				*		1	
41		26037200		SAFETY PLATE				*		1	
42		SM4040655SP		SCREW M4 L=6				*		2	
43		40006836		OIL TANK ASM.						2	
44		SM6040650TP		SCREW						2	
45		40006840		RUBBER BUSH						2	
46		14113468		BOBBIN THREAD TENSION ASM.						1	

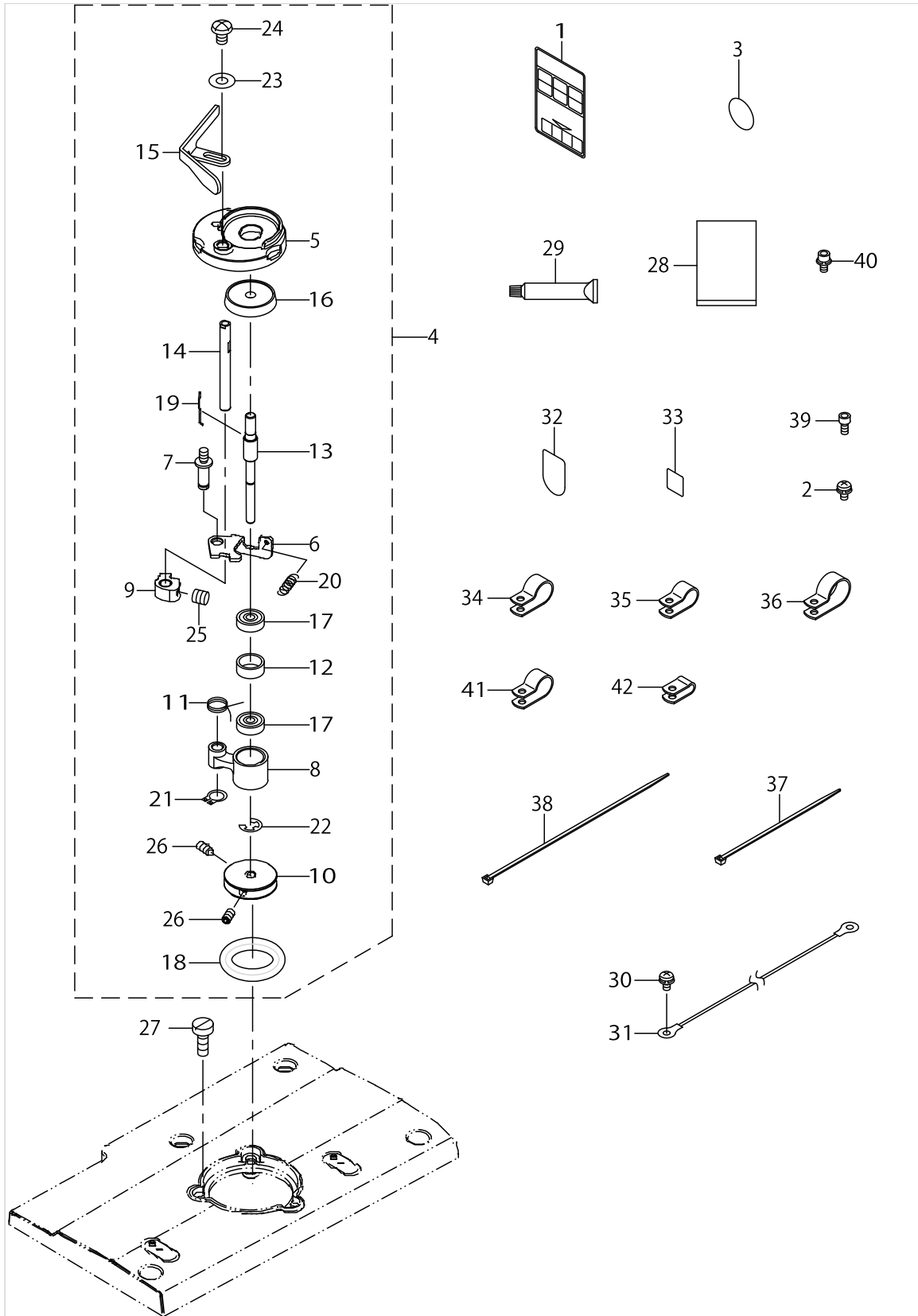
FRAME & MISCELLANEOUS COVER COMPONENTS (1)



FRAME & MISCELLANEOUS COVER COMPONENTS (1)

No.	Supply Code	Parts No.	Replacement	Parts name	Remarks	Choice	Step	Level	Cons	Qty	Rep. QTY
47		11072402		THREAD TENSION NUT				*		1	
48		NS6110310SP		NUT 11/64-40				*		1	
49		14113450		BOBBIN THREAD T- ENSION ROD ASM.				*		1	
50	R	B3126012000	22921506	THREAD TENSION DISK				*		2	1.00
51		D7133555B00		CONNECTING ROD SPRING				*		1	
52		WS0451040KP		SPRING WASHER 4.5X8.5X1						1	
53		B1114280000		PIN						1	
54		SM8040412TP		SET SCREW M4 L=4						2	
55		CM300200001		ATTENTION SEAL						3	

FRAME & MISCELLANEOUS COVER COMPONENTS (2)

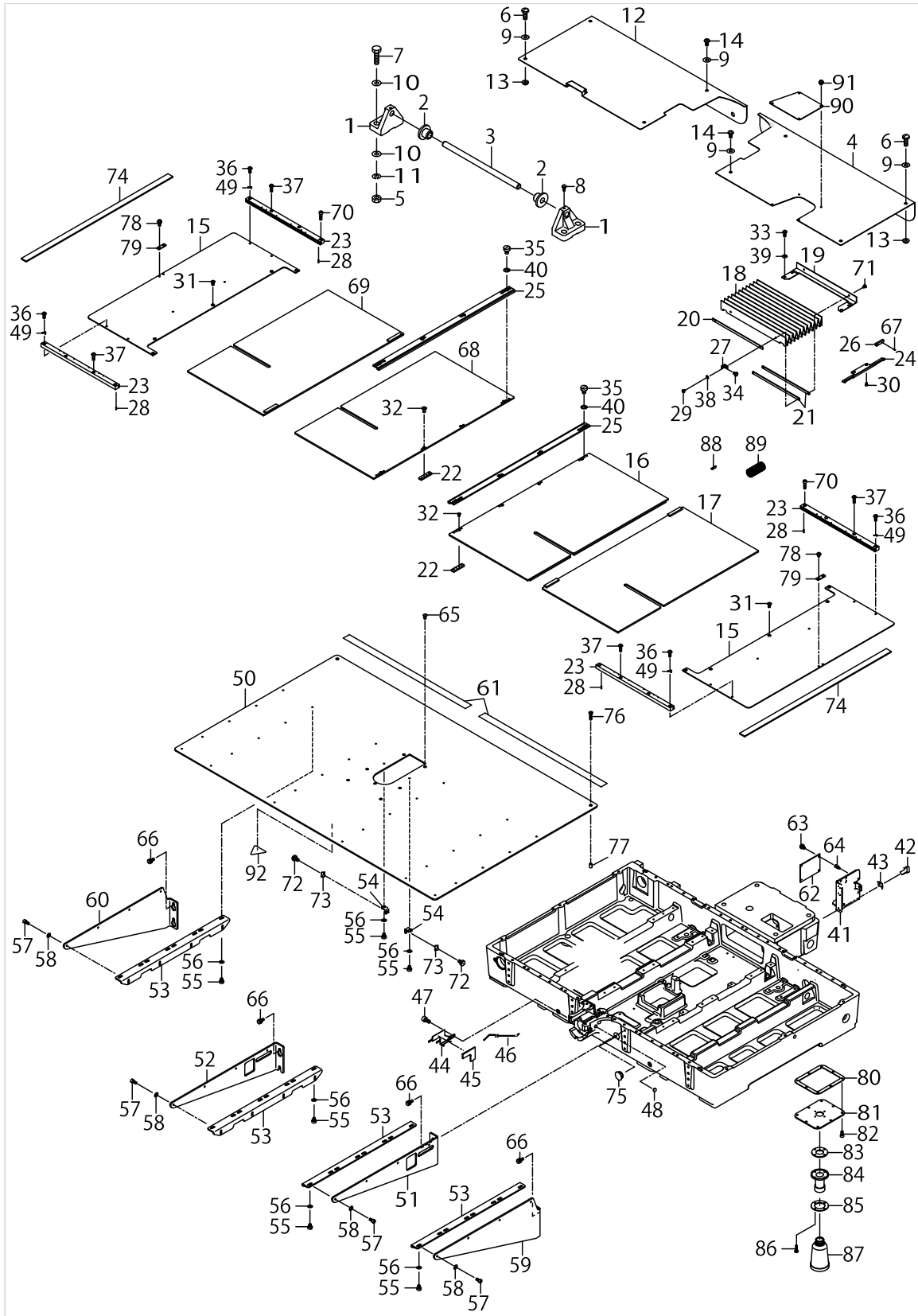


FRAME & MISCELLANEOUS COVER COMPONENTS (2)

No.	Supply Code	Parts No.	Replacement	Parts name	Remarks	Choice	Step	Level	Cons	Qty	Rep. QTY
1		CM301200001		SAFETY LABEL_S						2	
2		SL4040891SC		SCREW M4 L=8						12	
3		22901805		GROUND MARK						1	
4		40173311		BOBBIN_WINDER_UNIT_R						1	
5	R	26260109	26260000	BTW_BASE				*		1	1.00
6		26260208		BTW_CAM_PLATE				*		1	
7		26260307		BTW_BASE_SHAFT				*		1	
8		26260406		BTW_SHAFT_BASE				*		1	
9		26260505		BTW_CAM_LEVER				*		1	
10		26260604		BTW_WHEEL				*		1	
11		26260703		BTW_TORSION_SPRING				*		1	
12	R	26260802	26260000	BTW_BEARING_SPACER				*		1	1.00
13		40173312		BTW_SHAFT_A				*		1	
14	D	40023866		BTW_LEVER_SHAFT				*		1	
15		40173314		BTW_LEVER				*		1	
16		26261206		BTW_SPACER				*		1	
17	R	26261305	26260000	BTW_BEARING				*		2	1.00
18		26261503		BTW_WHEEL_RUBBER				*	☆	1	
19		26261602		BOBBIN_SPRING				*	☆	1	
20		26261701		BTW_SPRING				*		1	
21		RC0560711KP		RETAINING RING				*		1	
22		RE0400000K0		E-RING 4				*		1	
23		WP0450826SC		WASHER 4.5X10X0.8				*		1	
24		SM5040655SN		SCREW				*		1	
25		SM8050502TP		SCREW M5 L=5				*		1	
26		SM8040802TP		SCREW M4X8				*		2	
27		SM6041150TP		SCREW						3	
28		40031336		FLAT_BAG						1	
29		40013640		JUKI_GREASE_B_TUBE					☆	1	
30		SL4040891SC		SCREW M4 L=8						1	
31		14115554		HEAD GROUND CABLE A ASM.						1	
32		CM100100001		OIL INJECTION PROHIBITION LABEL						1	
33		CM600100101		WEEE MARK LABEL S	FOR JE					1	
34		HX00150000F		CABLE CLIP						4	
35		HX00150000D		CABLE CLIP						8	
36		HX00150000H		CABLE CLIP						3	
37		EA9500B0100		CABLE BAND						5	
38		EA9500B0200		CABLE BAND 150						5	
39		SM6040802TP		SCREW M4X0.7 L=8						5	
40		SL6040892TN		BOLT						3	
41		HX00150000E		CORD PRESSER 3--POLE (220/240V)						2	
42		HX00150000A		CABLE CLAMP						1	



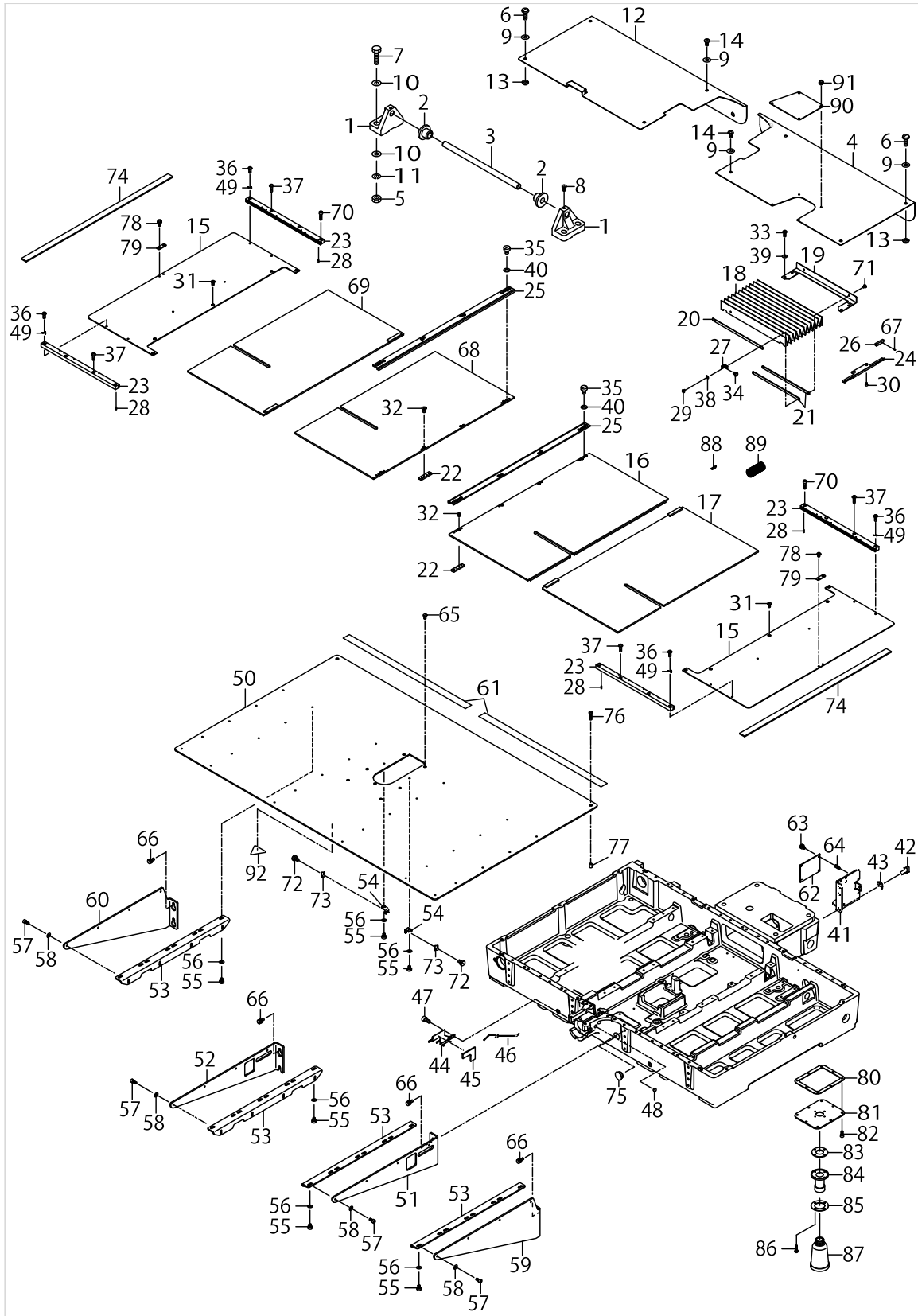
FRAME & MISCELLANEOUS COVER COMPONENTS (3)



FRAME & MISCELLANEOUS COVER COMPONENTS (3)

No.	Supply Code	Parts No.	Replacement	Parts name	Remarks	Choice	Step	Level	Cons	Qty	Rep. QTY
1		B1111220000A		BED HINGE						2	
2		B1115220000		RUBBER PAD A						2	
3		B1120223C00		HING SHAFT						1	
4		40090785		BED COVER RIGHT A						1	
5		NM6120011SF		NUT M12						4	
6		SM4055001SF		SCREW M5 L=50						4	
7		SM9124503SB		SCREW M12 L=45						4	
8		SS9151240SN		SCREW 15/64-28 L=11.5						2	
9		WP0561616SC		WASHER 5.6X16X1.6						8	
10		WP1302501SE		WASHER M12						8	
11		WS1253010KN		SPRING WASHER 12.5X21.5X3						4	
12		40072074		BED COVER LEFT						1	
13		NM3050610SF		NUT						4	
14		SM4051001SN		SCREW M5						4	
15		40072076		FEED BASE COVER 4530						2	
16		40072191		X_FEED_UPPER_CO- VER_R_ASM_4530						2	
17		40072184		X_FEED_LOWER_CO- VER_R_ASM_4530						2	
18		40072174		FEED COVER						1	
19		40072081		FEED COVER STAY						1	
20		40072079		FEED COVER FIX PLATE A						1	
21		40072080		FEED COVER FIX PLATE B						2	
22		40072195		FEED_COVER_RAIL_ STOPPER_PLATE						8	
23		40072143		FEED BASE SUPPO- RT COVER RAIL X						8	
24		B1182223C00		RAIL GUIDE						2	
25		40072078		FEED BASE SUPPO- RT COVER RAIL Y						2	
26		B1193223C00		GUIDE RAIL CLICK						4	
27		B1157215000		MOVEMENT COVER PLATE						2	
28		PS0250062KH		SPRING PIN 2.5X6						8	
29		SM4030401SC		SCREW M3X0.5 L=4						2	
30		SM1040870TP		SCREW						4	
31		SM1040801SP		SCREW M4X0.7 L=8						10	
32		SM1030601SP		SCREW M3 L=6						8	
33		SM4041055SP		SCREW						4	
34		SM4040655SP		SCREW M4 L=6						2	
35		SM6040650TP		SCREW						8	
36		SM4041001SC		SCREW M4X0.7 L=10						10	
37		SM4041401SC		SCREW M4X0.7 L=14						20	
38		WP0330501SB		WASHER M3						2	
39		WP0450801SD		WASHER 4.5X10X0.8						4	
40		WP0450000SD		WASHER 4.5X8X0.5						8	
41		40024997		LIFTER_BASE						1	
42		SM6061202TP		SCREW M6 L=12						2	
43		WP0641601SC		WASHER						2	
44		40182674		OIL_GUARD						1	

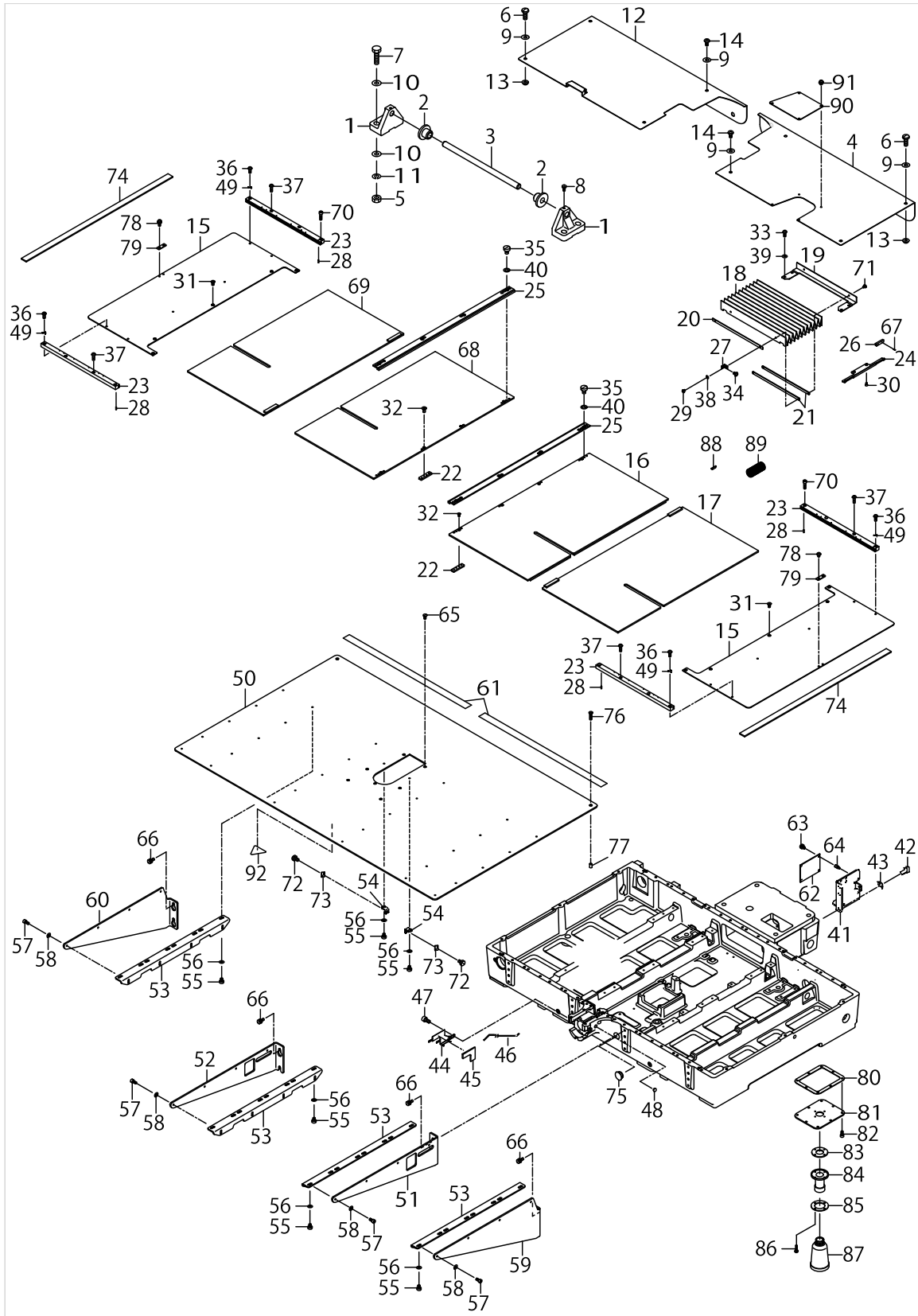
FRAME & MISCELLANEOUS COVER COMPONENTS (3)



FRAME & MISCELLANEOUS COVER COMPONENTS (3)

No.	Supply Code	Parts No.	Replacement	Parts name	Remarks	Choice	Step	Level	Cons	Qty	Rep. QTY
45		40182675		FELT						1	
46		CQ200000000		OIL WICK						.16	
47		SM6040802TP		SCREW M4X0.7 L=8						2	
48		TA0750404R0		PLUG D=7.5 L=3.5						1	
49		WP0450846SP		WASHER						8	
50		40101763		SUS_NEEDLE_SUPP- ORT_PLATE_4530						1	
51		40072176		COVER_SUPPORT_A_RIGHT						1	
52		40182665		COVER_SUPPORT_C_LEFT						1	
53		40072179		COVER_SUPPORT_BRACKET						4	
54		40025014		COVER_SUPPORT_B						2	
55		SM6450610TP		SCREW						22	
56		WP0450801SP		WASHER						22	
57		SM6040802TP		SCREW M4X0.7 L=8						16	
58		WP0450801SP		WASHER						16	
59		40072178		COVER_SUPPORT_B_RIGHT						1	
60		40072177		COVER_SUPPORT_B_LEFT						1	
61		40051501		TAPE						2	
62		40040230		INT PCB ASM						1	
63		SL4040891SC		SCREW M4 L=8						4	
64		HX003390000		STUD						4	
65		SM1040870TP		SCREW						2	
66		SL9061600SF		SCREW						8	
67		PS0150065KP		SPRING PIN 1.5X6						8	
68		40072193		X_FEED_UPPER_CO- VER_L_ASM_4530						1	
69		40072186		X_FEED_LOWER_CO- VER_L_ASM_4530						1	
70		SM6041402TN		SCREW M4X0.7 L=14						2	
71		SM7030450SC		SCREW M3X0.5 L=4						2	
72		SM6050802TP		SCREW M5X0.8 L=8						2	
73		WP0520656SA		WASHER 5.2X9.5X0.6						2	
74		G611387500A		CLOTH PRESSER SPONGE A						1	
75		TA2100904R0		RUBBER PLUG						1	
76		SM1041601SC		SCREW M4X0.7 L=16						2	
77		12209706		COLLAR						2	
78		SL4041091SC		SCREW M4 L=10						4	
79		40072214		FEED COVER STOPPER						2	
80		40072213		OIL_PAN_GASKET						1	
81		40072212		OIL_PAN						1	
82		SM6040802TP		SCREW M4X0.7 L=8						8	
83		B8112220000		OIL SEAL						1	
84		B8202205000		OIL MANAGEMENT						1	
85		B8111220000		WASHER						1	
86		SL4031481SC		SCREW M3X14						4	
87		B9121012000		OIL CAN						1	
88		40082017		X_FEED_LOWER_CO- VER_STOPPER_G						4	
89		HX00307000D		CABLE PARTS						.05	

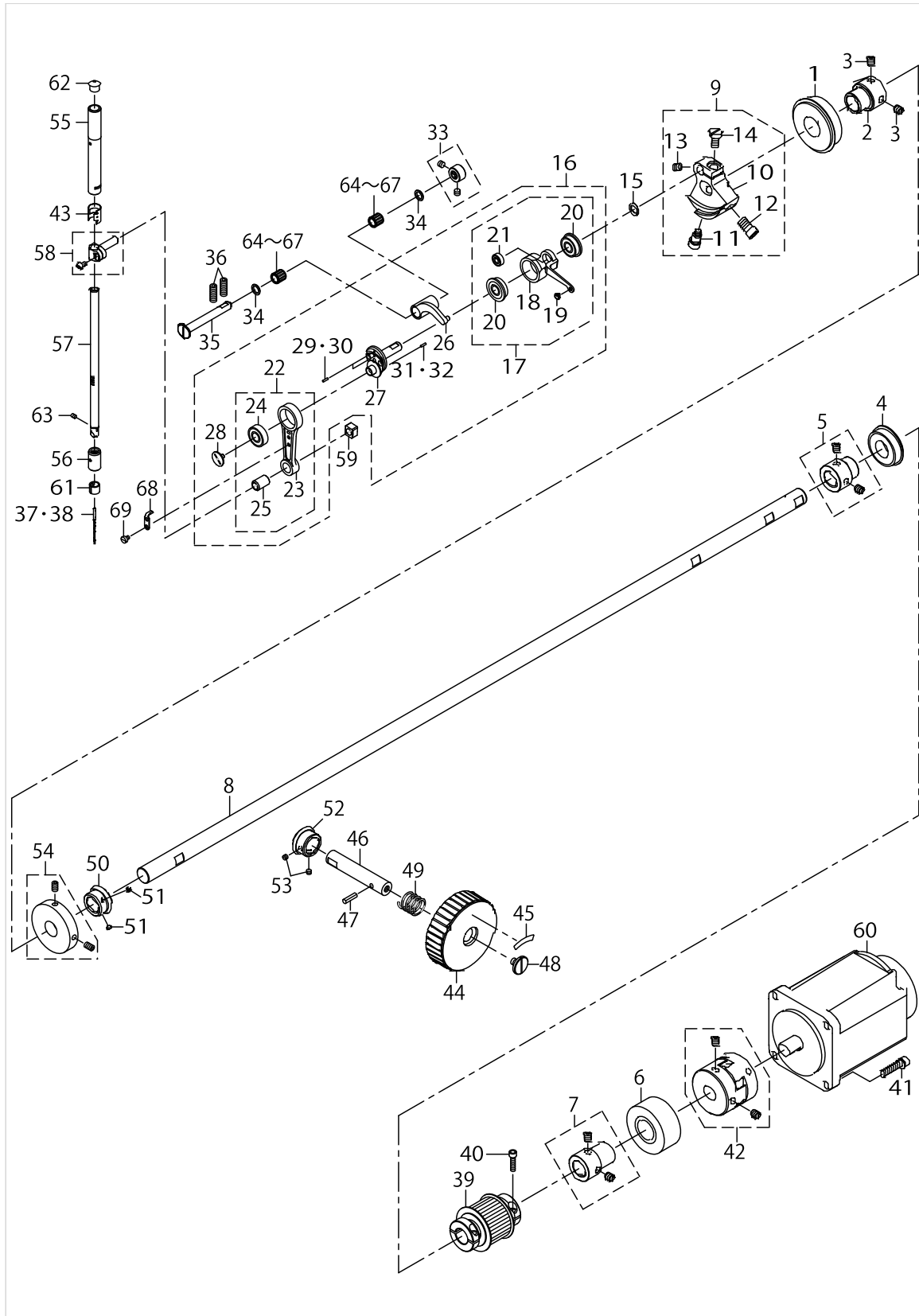
FRAME & MISCELLANEOUS COVER COMPONENTS (3)



FRAME & MISCELLANEOUS COVER COMPONENTS (3)

No.	Supply Code	Parts No.	Replacement	Parts name	Remarks	Choice	Step	Level	Cons	Qty	Rep. QTY
90		40090432		BED COVER RIGHT B						1	
91		SL4040691SC		SCREW M4 L=6						4	
92		40058949		BINDER_CAUTION_LABEL_M						1	

# MAIN SHAFT & NEEDLE BAR COMPONENTS

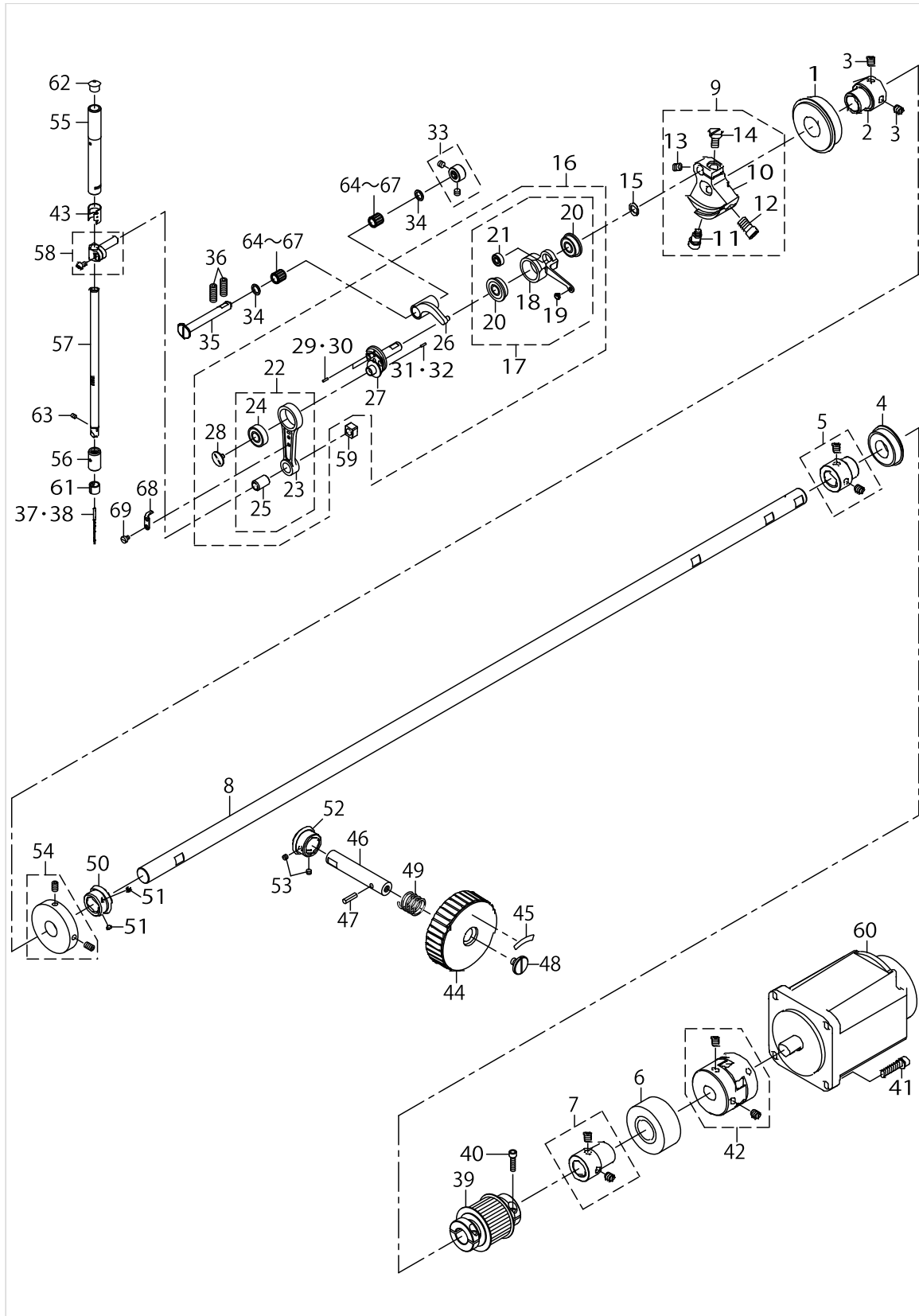


MAIN SHAFT & NEEDLE BAR COMPONENTS

No.	Supply Code	Parts No.	Replacement	Parts name	Remarks	Choice	Step	Level	Cons	Qty	Rep. QTY
1		SB120000900		BEARING						1	
2		23604200		MAIN SHAFT BEARING SUPPORT						1	
3		SM8060812TP		SCREW M6 L=8						2	
4		SB120001800		BEARING						1	
5		40010415		BEARING_BUSH_A_ASM.						1	
6		SB120001700		BEARING						1	
7		40010418		BEARING_BUSH_B_ASM.						1	
8		40072086		MAIN SHAFT						1	
9		40010422		COUNTER_WEIGHT_ASM.						1	
10	R	40010423	40010422	COUNTER_WEIGHT				*		1	1.00
11		40010424		COUNTER_WEIGHT_SCREW_A				*		1	
12		40010425		COUNTER_WEIGHT_SCREW_B				*		1	
13		40010426		COUNTER_WEIGHT_SCREW_C				*		1	
14		40010427		COUNTER_WEIGHT_SCREW_D				*		1	
15		WP0820516SP		WASHER 11.6X8.2X0.6						1	
16		40173315		THREAD_TAKE_UP_COMPL_R						1	
17		40173316		THREAD_TAKE_UP_LEVER_ASM_R				*		1	
18		40173317		THREAD_TAKE_UP_LEVER				*		1	
19		B1908505000		THREAD PASS BUSH				*		1	
20		SB108002200		BEARING				*		2	
21		SB104001600		BEARING				*		1	
22		40078106		NEEDLE_BAR_CRANK- K_ROD_ALL_ASM				*		1	
23		40078088		NEEDLE_BAR_CRANK_ROD				*		1	
24		SB108002300		BEARING				*		1	
25	R	22891006	22890958	NEEDLE BAR CRANK ROD BUSH		A	DDL-5700N	*		1	1.00
25	R	22891006	23622251	NEEDLE BAR CRANK ROD BUSH		B	DDL-9000,- DP-2100,DLN-9010	*		1	1.00
25	R	22891006	40078106	NEEDLE BAR CRANK ROD BUSH		C	AMS- /IP-- 420,AMS-220EN	*		1	1.00
25	R	22891006	40006534	NEEDLE BAR CRANK ROD BUSH		D	LK- ,AMS-- /IP-410,A- MS-210E,AB-1351	*		1	1.00
26		40173318		THREAD_TAKE_UP_CRANK				*		1	
27	R	40078083	40078382	NEEDLE_ROD_CRANK				*		1	1.00
28		B1903552000		LEFT SCREW				*		1	
29		40078135		PIN	SELECTIVE PARTS			*		1	
30		40096186		PIN	SELECTIVE PARTS			*		1	
31		B1705850000		STOPPER PIN	SELECTIVE PARTS			*		1	
32		40096209		PIN	SELECTIVE PARTS			*		1	
33		40010434		THRUST_COLLAR_ASM.						1	
34		22891204		BEARING SUPPORT						2	
35		40078079		THREAD_TAKE_UP_CRANK_SHAFT						1	
36		SM8061612TP		SCREW M6X16						2	
37		MDP170B2300		NEEDLE DPX17 #23	TYPE H(FOR ST)				☆	1	
38		MC372001600		NEEDLE SY3355 160	TYPE H(FOR JE)				☆	1	
39		40072233		SPROCKET_ASM						1	
40		SM6041602TP		SCREW M4X0.7 L=16						4	
41		SL6052592TN		BOLT						4	



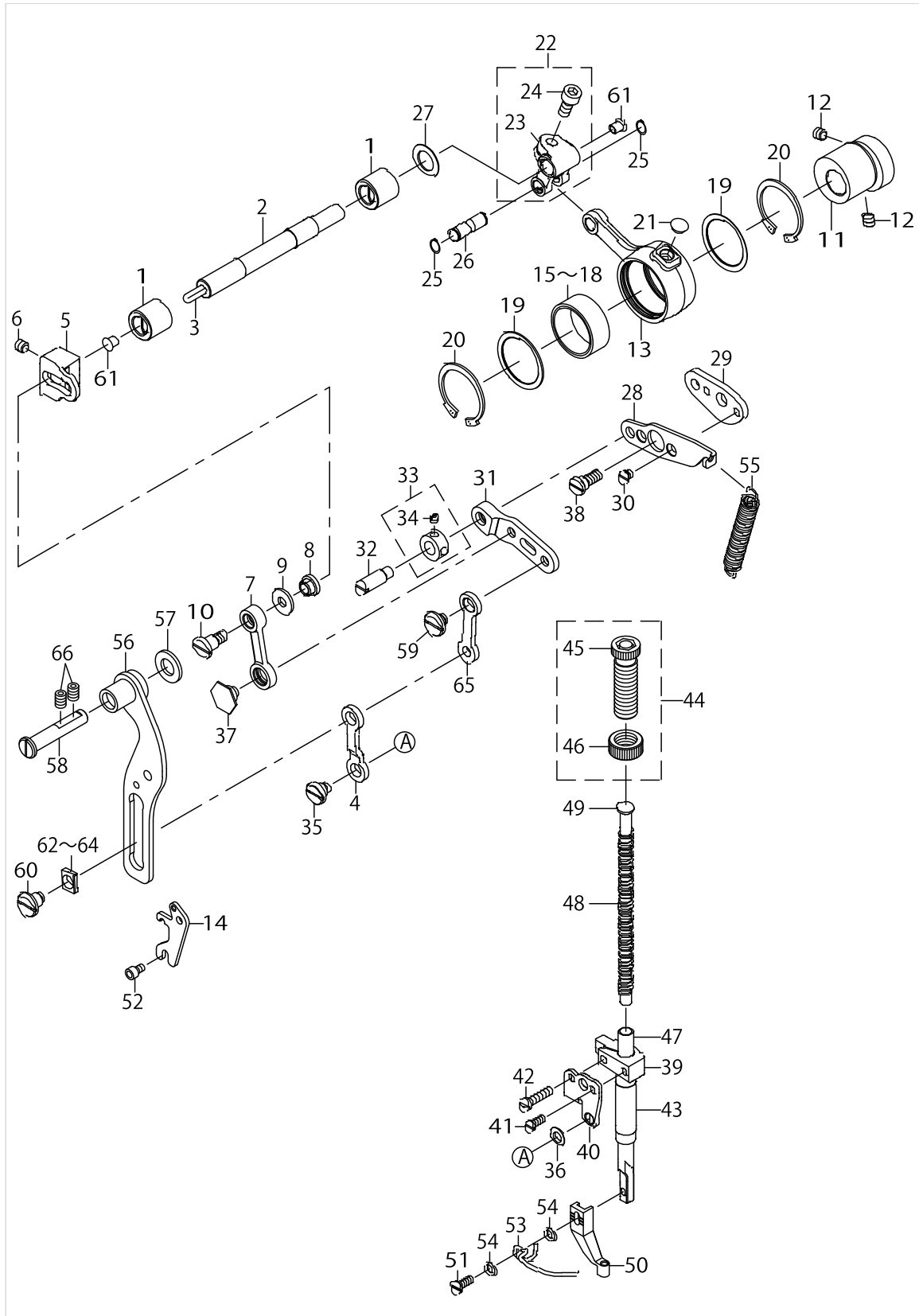
# MAIN SHAFT & NEEDLE BAR COMPONENTS



MAIN SHAFT & NEEDLE BAR COMPONENTS

No.	Supply Code	Parts No.	Replacement	Parts name	Remarks	Choice	Step	Level	Cons	Qty	Rep. QTY
42		40051473		COUPLING ASM.						1	
43		40078160		NEEDLE_ROD_META- L_GREASE_COVER						1	
44		B1212210D00		PULLEY						1	
45		B1144210000		REVOLVING DIRECTION LABEL						1	
46		40044053		PULLEY SHAFT						1	
47		PS0400142KH		SPRING PIN 4X14						1	
48		A1230500000A		HANDWHEEL SETSCREW						1	
49		GAF01007000		SPRING						1	
50		40006515		GEAR_A						1	
51		SM8040310SS		SCREW M4 L=3						2	
52		40006516		GEAR_B						1	
53		SM8040310SS		SCREW M4 L=3						2	
54		40010533		BTW_DRIVING_WHEEL_ASM.						1	
55		40077604		NEEDLE_ROD_METAL						1	
56		40077605		NEEDLE_ROD_LOWER_METAL						1	
57		40026882		NEEDLE_BAR						1	
58		B14115520A0		NEEDLE BAR CONNECTING ASM.						1	
59		B1414555000		SLIDE BLOCK						1	
60		40052937		550W_SERVO_MOTOR						1	
61		40173345		NEEDLE BAR THREAD GUIDE						1	
62		22901409		NEEDLE BAR UPPER BUSH CAP						1	
63		SM8030412TP		SCREW						1	
64		SB30700020A		BEARING	SELECTIVE PARTS					2	
65		SB30700020B		BEARING	SELECTIVE PARTS					2	
66		SB30700020C		BEARING	SELECTIVE PARTS					2	
67		SB30700020D		BEARING	SELECTIVE PARTS					2	
68		40078107		KNIFE						1	
69		SM6030450TP		SCREW M3 L=4						1	

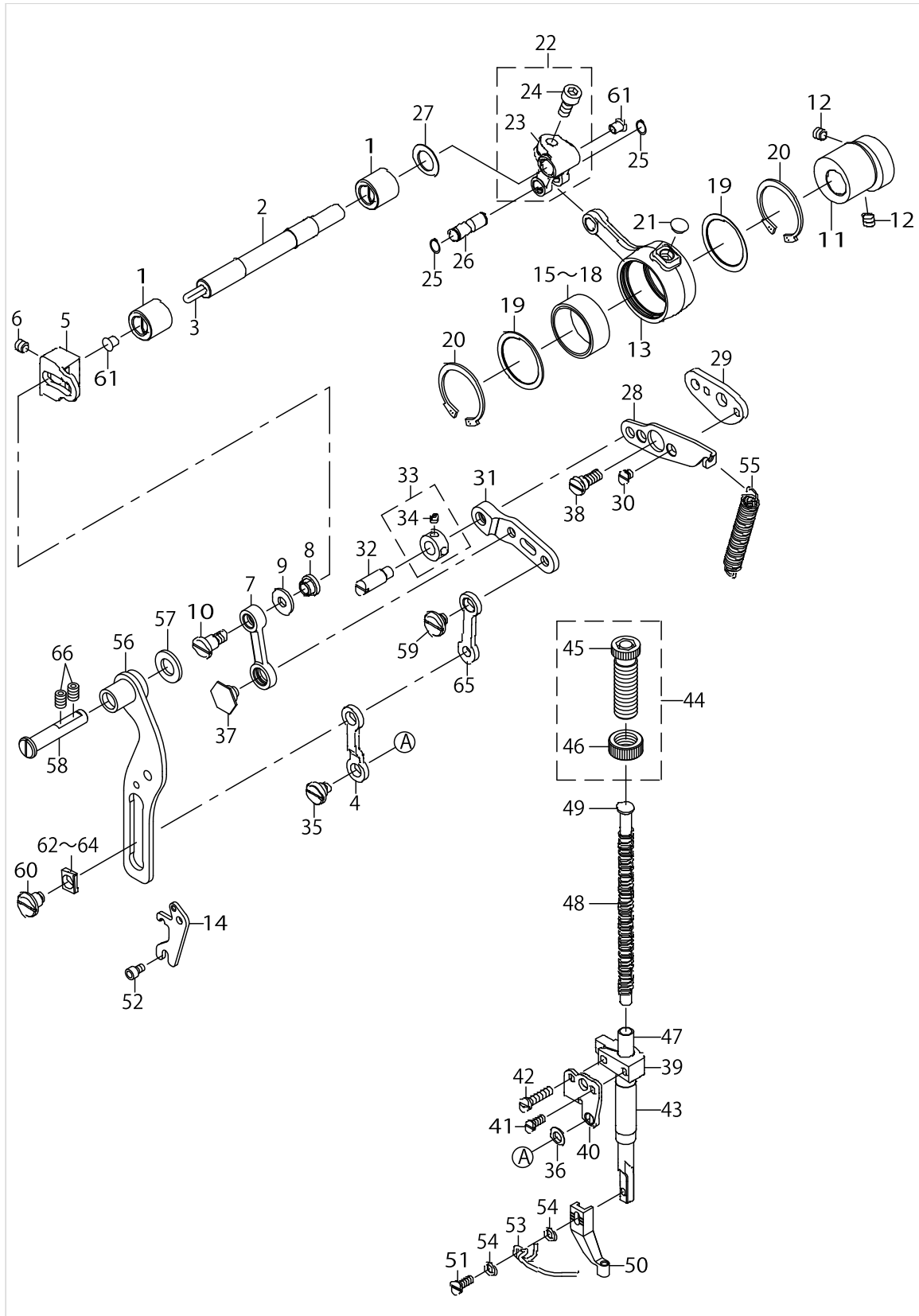
PRESSER MECHANISM & PRESSER VARIABLE COMPONENTS (1)



PRESSER MECHANISM & PRESSER VARIABLE COMPONENTS (1)

No.	Supply Code	Parts No.	Replacement	Parts name	Remarks	Choice	Step	Level	Cons	Qty	Rep. QTY
1		40025431		BUSHING						2	
2		40025427		INTERMEDIATE_PRESSER_SHAFT						1	
3		CQ303000000		OIL WICK						.1	
4		40030617		INTERMEDIATE_PRESSER_LINK_D						1	
5		40025012		ADJUSTING_ARM						1	
6		SM8060812TP		SCREW M6 L=8						1	
7		40068835		INTERMEDIATE_PRESSURE_LINK						1	
8		40025415		ADJUSTING_NUT						1	
9		WP0611626SP		WASHER 15X6X1.6						1	
10		SD0800746TP		SHOULDER SCREW						1	
11		40025428		ECCENTRIC_CAM						1	
12		SM8060812TP		SCREW M6 L=8						2	
13		40025011		CRANK_CONNECTING_ROD						1	
14		40068833		POSITIONING_LINK_SPRING_HOOK						1	
15		B1636581A00		NEEDLE BEARING	SELECTIVE PARTS					1	
16		B1636581B00		NEEDLE BEARING B	SELECTIVE PARTS					1	
17		B1636581C00		NEEDLE BEARING	SELECTIVE PARTS					1	
18		B1636581D00		NEEDLE BEARING	SELECTIVE PARTS					1	
19		40012965		BEARING_SUPPORT_PLATE						2	
20		RC3781518KP		RETAINING RING						2	
21		TA0750404R0		PLUG D=7.5 L=3.5						1	
22		13122452		FEED BRANCH CRANK ASM.						1	
23		13122403		FEED BRANCH CRANK				*		1	
24		SM6061402TP		SCREW M6 L=14				*		1	
25		RC0650811KP		RETAINING RING						2	
26		40025429		ROD_CONNECTING_SHAFT						1	
27		WP1221016SP		WASHER						1	
28		40068834		POSITIONING_LINK						1	
29		40024988		POSITIONING_LINK_B						1	
30		SS1110640TP		SCREW 11/64-40 L=5.5						2	
31		40030620		INTERMEDIATE_PRESSER_LINK_B						1	
32		B1408180000		HINGE SCREW						1	
33		CS079073ASH		THRUST COLLAR ASM.						1	
34		SS8110410TP		SCREW 11/64-40 L=3.5				*		2	
35		SD0800386TP		SHOULDER SCREW D=8 H=3.75						1	
36		40029419		LINK_CONNECTING_PLATE_WASHER						1	
37		SD1000506TP		SHOULDER SCREW D=10 H=4.95						1	
38		SD0800408TP		SHOULDER SCREW						1	
39		23610108		PRESSER BAR GUIDE BRACKET						1	
40		40024991		LINK_CONNECTING_PLATE						1	
41		SS6090910SP		SCREW 9/64-40 L=9						1	
42		SS7111810TP		SCREW 11/64-40 L=18						1	
43		40078133		PRESSER_BUSHING						1	
44		22907554		PRESSER SPRING REG NUT ASM.						1	
45	R	22907505	22907554	PRESSER SPRING REGULATOR				*		1	1.00

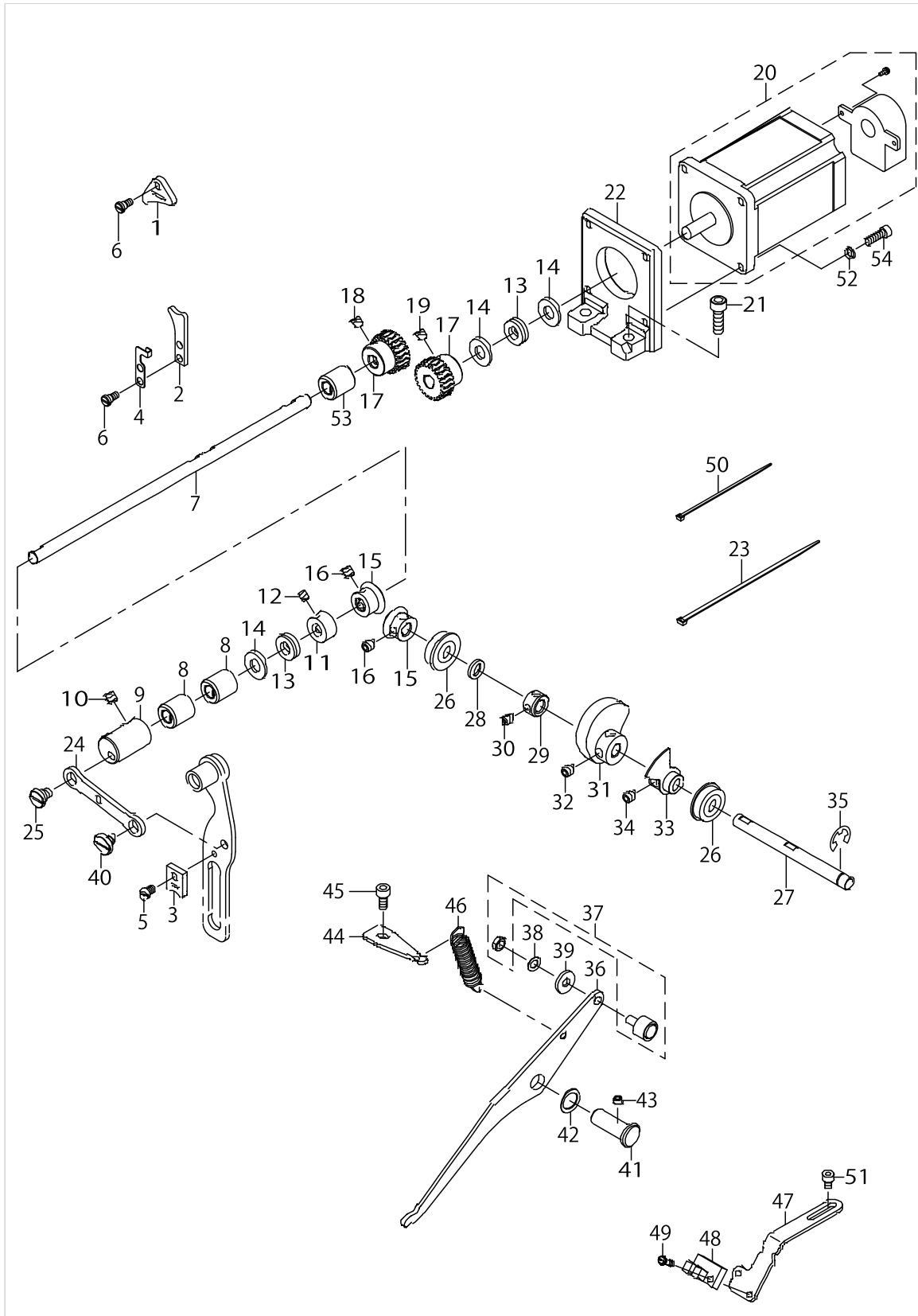
PRESSER MECHANISM & PRESSER VARIABLE COMPONENTS (1)



PRESSER MECHANISM & PRESSER VARIABLE COMPONENTS (1)

No.	Supply Code	Parts No.	Replacement	Parts name	Remarks	Choice	Step	Level	Cons	Qty	Rep. QTY
46	R	22907604	22907554	PRESSER SPRING REGULATOR NUT				*		1	1.00
47		40030623		INTERMEDIATE_PRESSER_BAR						1	
48		B161121000A		INNER PRESSER SPRING						1	
49		40023631		PRESSER GUIDE BAR						1	
50		B1601210D0CA		INTERMEDIATE PRESSER C					☆	1	
51		SM7751160TP		SCREW						1	
52		SM6040602TP		SCREW M4 L=6						2	
53		B1634210D00		FINGER GUARD						1	
54		WP0430800SC		WASHER M4						2	
55		40030621		INTERMEDIATE_PRE- SSER_SPRING B						1	
56		40077925		PRESSURE_VARIABLE_PLATE_ASM.						1	
57		40078113		COLLAR						1	
58		40023624		THREAD_TRIMMER_SHAFT						1	
59		SD0800336TP		SHOULDER SCREW						1	
60		SD0800656TP		SHOULDER SCREW						1	
61		TA0550604R0		RUBBER PLUG						2	
62		40030628		SLIDE_BLOCK_A	SELECTIVE PARTS					1	
63		40030629		SLIDE_BLOCK_B	SELECTIVE PARTS					1	
64		40030630		SLIDE_BLOCK_C	SELECTIVE PARTS					1	
65		40030616		INTERMEDIATE_PRESSER_LINK_C						1	
66		SM8060812TP		SCREW M6 L=8						2	

PRESSER MECHANISM & PRESSER VARIABLE COMPONENTS (2)

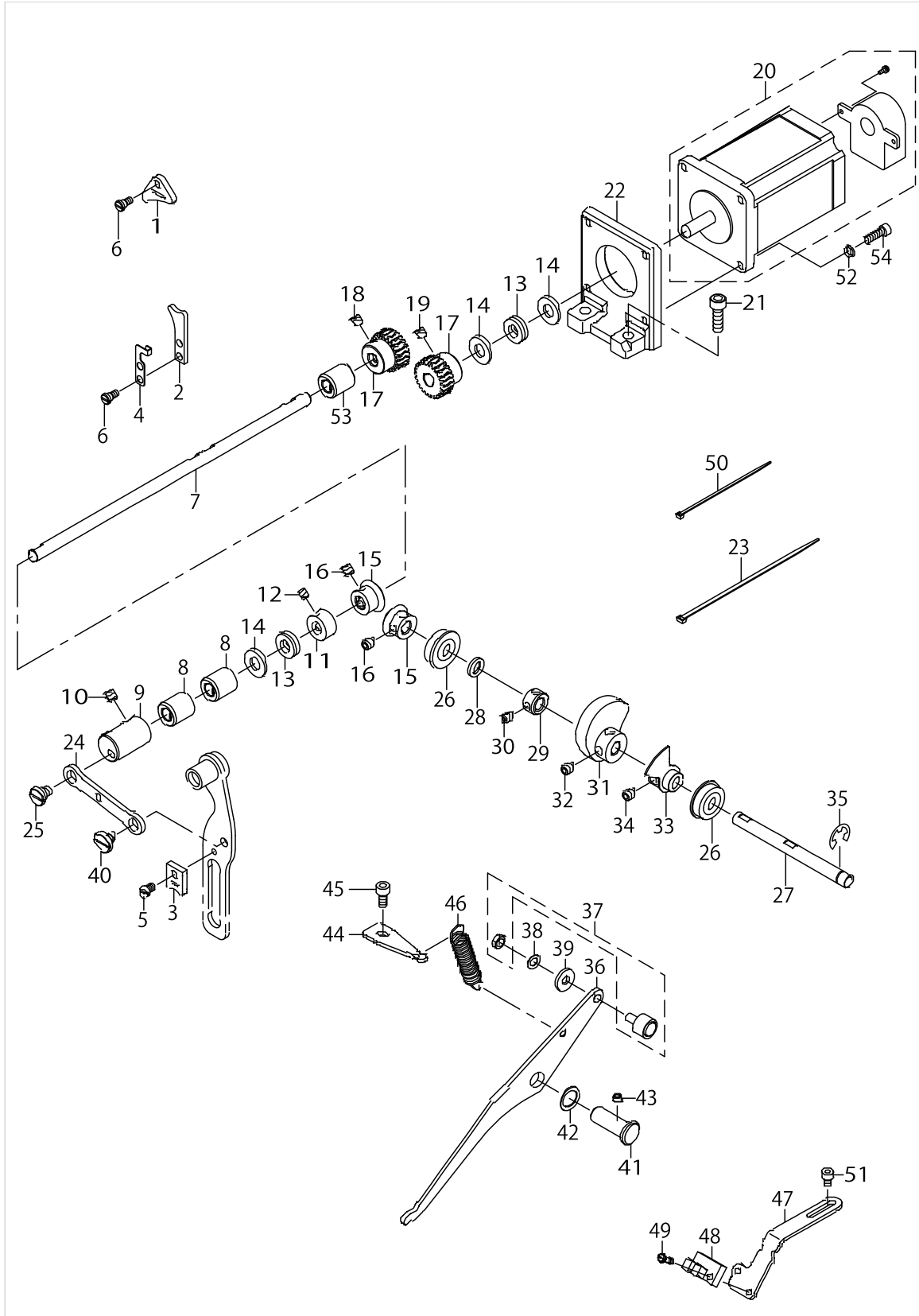


PRESSER MECHANISM & PRESSER VARIABLE COMPONENTS (2)

No.	Supply Code	Parts No.	Replacement	Parts name	Remarks	Choice	Step	Level	Cons	Qty	Rep. QTY
1		40030625		FACE_FELT_A						1	
2		40030626		FACE_FELT_B						1	
3		40030627		FACE_FELT_C						1	
4		40026817		FACE_FELT_B_SUPPORT						1	
5		40029420		FELT_SCREW_C						1	
6		40032483		FELT_SCREW_AB						3	
7		40032179		PRESSER_VARIABLE_SHAFT						1	
8		40025423		BUSHING B						2	
9		40026819		PRESSER_VARIABLE_ARM						1	
10		SM8480652TP		SCREW						2	
11		CS0800881TP		THRUST COLLAR						1	
12		SM8050412TP		SCREW M5 L=4						2	
13		SB408000100		BEARING						2	
14		WP0850002SP		WASHER 8.5X18X1.6						3	
15		40030615		PRESSER_LIFT_GEAR						2	
16		SM8060812TP		SCREW M6 L=8						4	
17		40032180		PRESSER_MOTOR_GEAR_A						2	
18		SM8060812TP		SCREW M6 L=8						2	
19		SM8060602TP		SCREW M6X6						2	
20		40103969		ENCODER MOTOR ASM.(IP)						1	
21		SM6061802TP		SCREW M6 L=18						2	
22		40032181		PRESSER_MOTOR_BRACKET						1	
23		EA9500B0200		CABLE BAND 150						2	
24		40024989		PRESSER_VARIABLE_LINK						1	
25		SD0800337TP		SHOULDER SCREW						1	
26		SB108000500		RADIAL BEARING						2	
27		40025426		PRESSER_LIFT_SHAFT						1	
28		WZ0850302K0		WAVED WASHER 8.5X12.5X0.3						1	
29		CS0800881TP		THRUST COLLAR						1	
30		SM8050412TP		SCREW M5 L=4						2	
31		40025016		LIFTING_CAM						1	
32		SM8060812TP		SCREW M6 L=8						2	
33		40025418		SENSOR_SLIT_ASM						1	
34		SM8060812TP		SCREW M6 L=8						2	
35		RE0700000K0		E-RING 7						1	
36		40025030		LIFTING_LINK						1	
37		40027870		CAM FOLLOWER						1	
38		WP0520656SA		WASHER 5.2X9.5X0.6						1	
39		WP0522016SH		WASHER						1	
40		SD0800387TP		SHOULDER SCREW D=8 H=3.75						1	
41		B1641562000		FEED REGULATING ARM SHAFT						1	
42		26226001		WASHER						1	
43		SM8050412TP		SCREW M5 L=4						1	
44		40025420		LIFTER_LINK_SPRING_HOOK						1	
45		SM6050802TP		SCREW M5X0.8 L=8						1	
46		40003970		TENSION RELEASE RETURN						1	



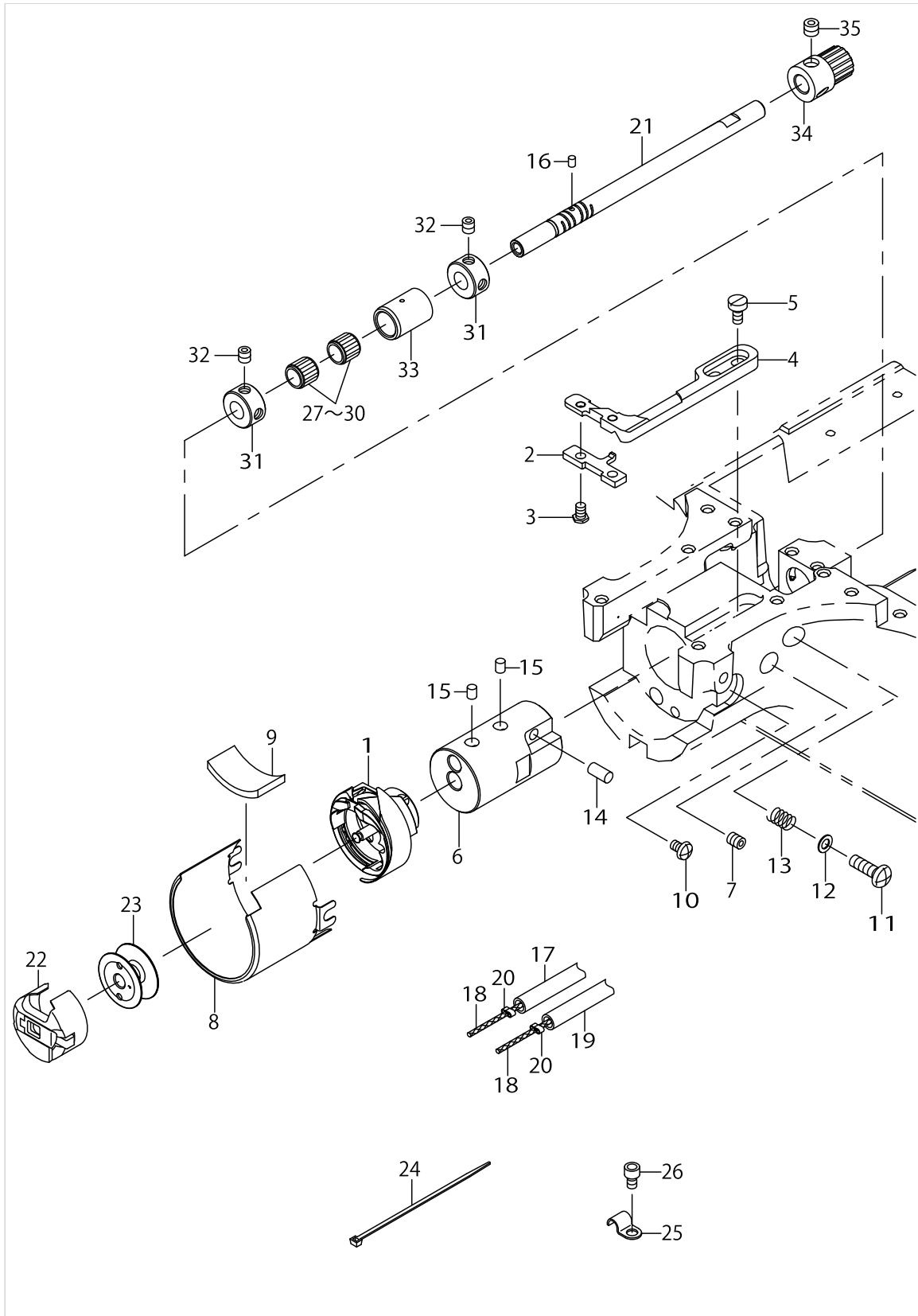
PRESSER MECHANISM & PRESSER VARIABLE COMPONENTS (2)



PRESSER MECHANISM & PRESSER VARIABLE COMPONENTS (2)

No.	Supply Code	Parts No.	Replacement	Parts name	Remarks	Choice	Step	Level	Cons	Qty	Rep. QTY
47		40025419		SENSOR_INSTALLING_BASE						1	
48		HD00057000A		PHOTO SENSOR						1	
49		SL4031091SC		SCREW M3 X 10						1	
50		EA9500B0100		CABLE BAND						2	
51		SM6040602TP		SCREW M4 L=6						2	
52		WP0450846SP		WASHER						4	
53		40043321		BUSHING_C						1	
54		SM6041402TP		SCREW M4 L=14						4	

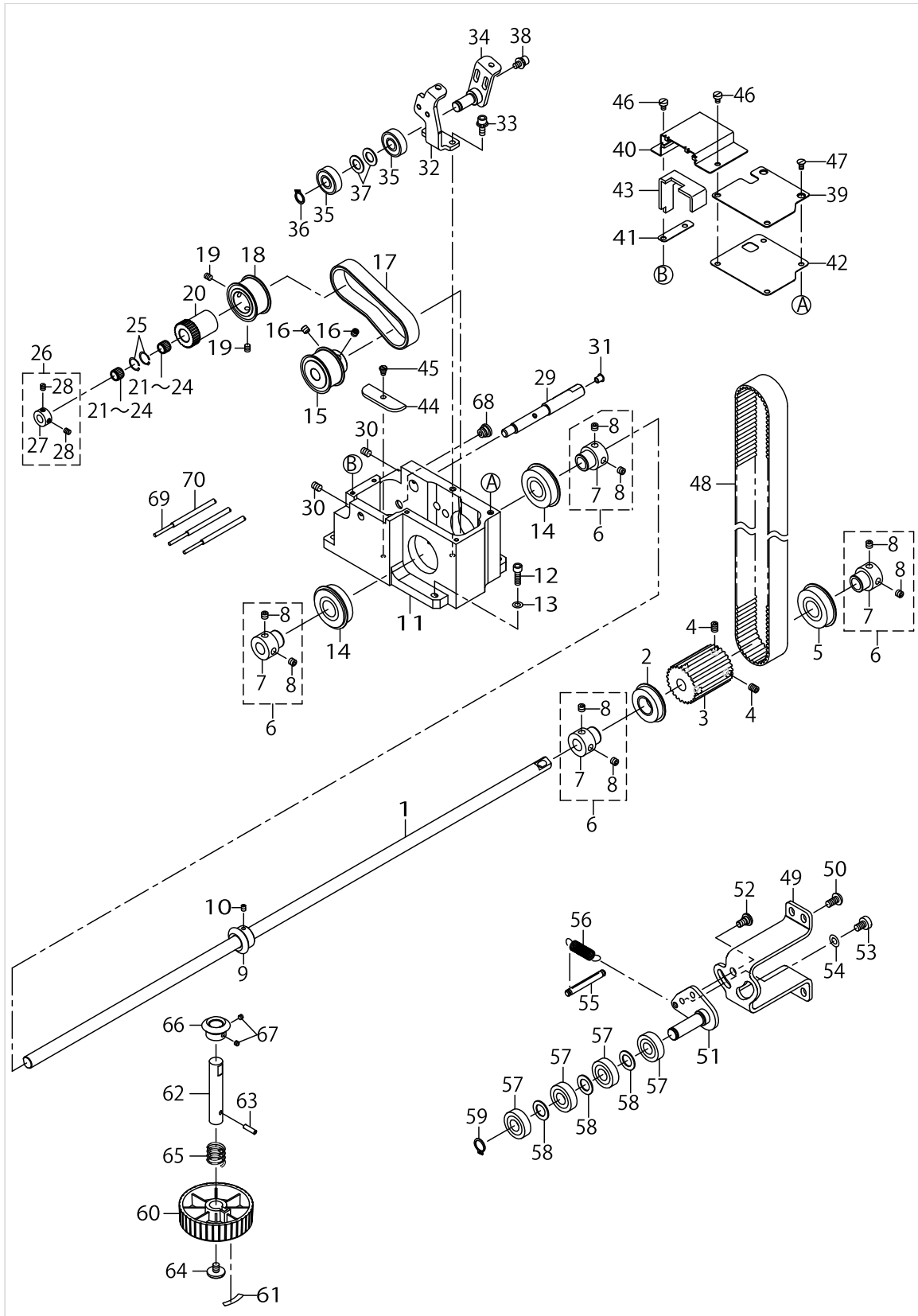
LOWER SHAFT COMPONENTS (1)



LOWER SHAFT COMPONENTS (1)

No.	Supply Code	Parts No.	Replacement	Parts name	Remarks	Choice	Step	Level	Cons	Qty	Rep. QTY
1		D1830141EA0		HOOK ASM. (KHS20-RMPN)					☆	1	
2		40135366		INNER HOOK STOPPER					☆	1	
3		40182654		SCREW						2	
4		40182659		INNER_HOOK_STOPPER_BASE						1	
5		SM6040800SP		SCREW						2	
6		40173341		HOOK_SHAFT_METAL						1	
7		SM8050612TP		SCREW M5X6						1	
8		40182676		HOOK_OIL_PREVENTION_PLATE						1	
9		10126704		OIL FELT						1	
10		SM5040655SN		SCREW						2	
11		SM4051655SP		SCREW M5 L=16						1	
12		WP0531000SD		WASHER M5						1	
13		B2626372000		SPRING						1	
14		12219705		PIN						1	
15		B1820210D00		SHUTTLE OIL FELT						2	
16		B1821210D00		SHUTTLE OIL FELT						1	
17		BP500000000		VINYL PIPE						.8	
18		CQ200000000		COTTON OIL WICK D=2						9.4	
19		BT0700500EA		URETHANE TUBE C-LEAR BLUE 7X5						1.35	
20		26230706		OIL WICK PRESSER						2	
21		40173337		SHUTTLE_DRIVER_SHAFT						1	
22		40182643		BOBBIN_CASE_ASM					☆	2	
23		40182679		BOBBIN_ASM					☆	2	
24		EA9500B0100		CABLE BAND						2	
25		40013721		TUBE CLAMP						1	
26		SM6040602TP		SCREW M4 L=6						1	
27		B1411804A00		BEARING (A)	SELECTIVE PARTS					2	
28		B1411804B00		NEEDLE DRIVING L-EVER BEARING B	SELECTIVE PARTS					2	
29		B1411804C00		NEEDLE DRIVING L-EVER BEARING C	SELECTIVE PARTS					2	
30		B1411804D00		BEARING (D)	SELECTIVE PARTS					2	
31		CS0800971TP		THRUST COLLAR D=8 W=9						2	
32		SM8050512TP		SCREW						4	
33		B1847221D00		LOWER SHAFT MIDDLE METAL						1	
34		14435804		HOOK SHAFT GEAR						1	
35		SS8660522TP		SCREW 1/4-40 L=4.5						2	

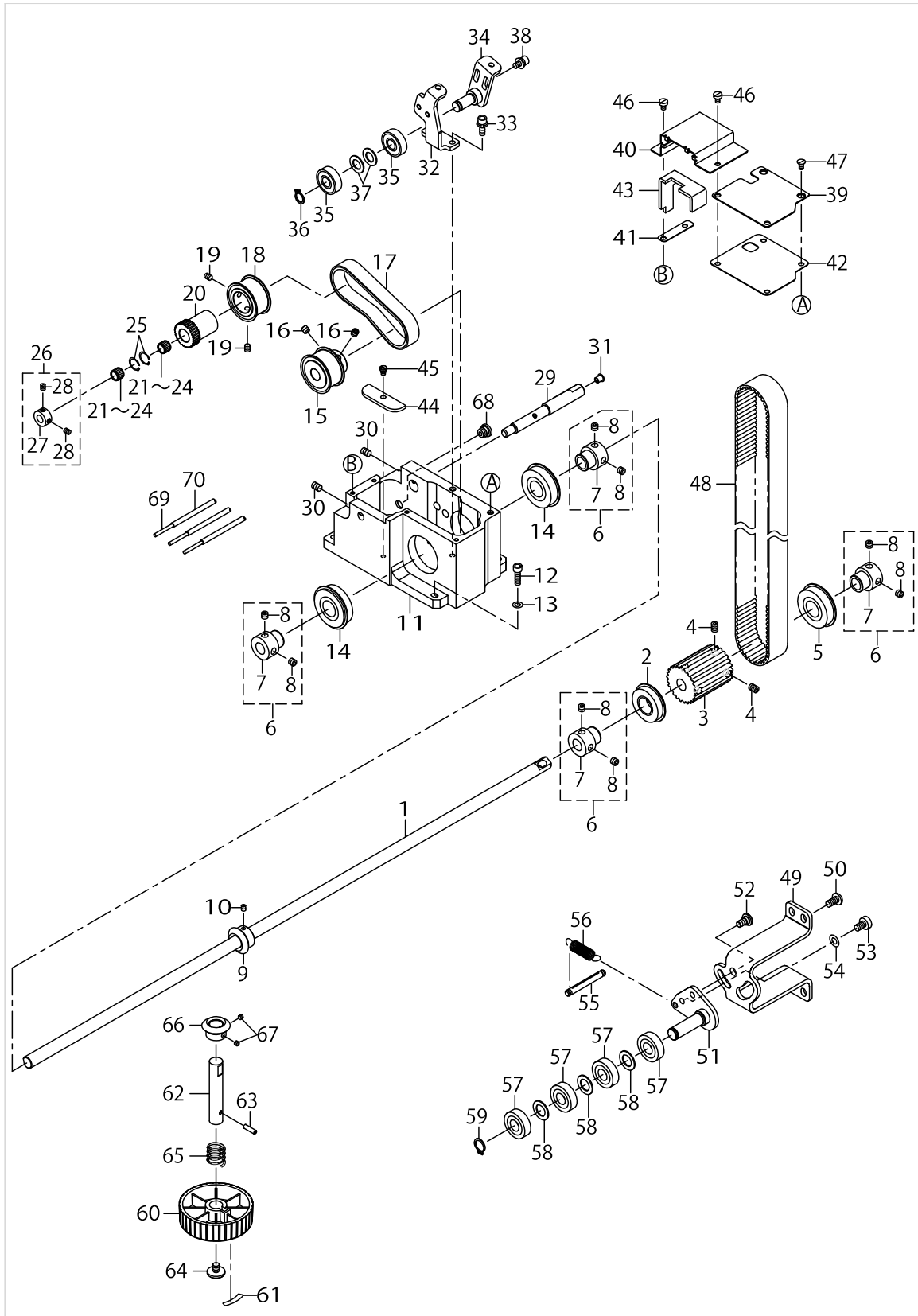
LOWER SHAFT COMPONENTS (2)



LOWER SHAFT COMPONENTS (2)

No.	Supply Code	Parts No.	Replacement	Parts name	Remarks	Choice	Step	Level	Cons	Qty	Rep. QTY
1		40173320		LOWER_SHAFT						1	
2		SB117000400		BEARING						1	
3		40072207		LOWER SHAFT SPROCKET						1	
4		SM8060812TP		SCREW M6 L=8						4	
5		SB117001000		BEARING						1	
6		40086384		BEARING SUPPORT ASM.						4	
7		23618606		BEARING SUPPORT				*		1	
8		SS8660612TP		SCREW 1/4-40 L=6				*		2	
9		40072173		GEAR_A						1	
10		SM8040502TP		SCREW M4X0.7 L=5						2	
11		40176341		LOWER_SHAFT_GEAR_BOX						1	
12		SM6051602TP		SCREW M5X0.8 L=16						4	
13		WP0531000SD		WASHER M5						4	
14		SB117001100		BEARING						2	
15		40173322		LOWER_SHAFT_PULLEY_6F						1	
16		SM8060612TP		SCREW M6 L=6						2	
17		40173323		TIMING_BELT						1	
18		40173324		LOWER_SHAFT_PULLEY_33F						1	
19		SM8050412TP		SCREW M5 L=4						2	
20		14435705		SHUTTLE DRIVER SHAFT GEAR						1	
21		SB31000080A		BEARING	SELECTIVE PARTS					2	
22		SB31000080B		BEARING	SELECTIVE PARTS					2	
23		SB31000080C		BEARING	SELECTIVE PARTS					2	
24		SB31000080D		BEARING	SELECTIVE PARTS					2	
25		RC1411018KP		C-RING 13 (10.9)						2	
26		CS100081CSP		THRUST COLLAR ASM. D=10 W=8						1	
27		CS1000811SP		THRUST COLLAR D=10 W=8				*		1	
28		SS8110520TP		SCREW 11/64-40 L= 4.5				*		2	
29		40173325		GEAR_SHAFT						1	
30		SM8060812TP		SCREW M6 L=8						2	
31		TA0550604R0		RUBBER PLUG						1	
32		40173326		IDLER_FITTING_PLATE						1	
33		SL6051492TN		SCREW M5 L=14						2	
34		40173327		IDLER_BASE_ASM						1	
35		SB110000400		BEARING						2	
36		RC0100001KP		C-RING 10 (9.3)						1	
37		WP1021016SD		WASHER						2	
38		SL6051092TN		SCREW M5 L=10						2	
39		40173331		BOX_COVER						1	
40		40173336		BOX_COVER_A						1	
41		40173332		GASKET_A						1	
42		40173333		GASKET_B						1	
43		40173334		FELT_A						1	
44		40173335		FELT_B						1	
45		40029420		FELT_SCREW_C						1	
46		SM6040650TP		SCREW						4	

LOWER SHAFT COMPONENTS (2)

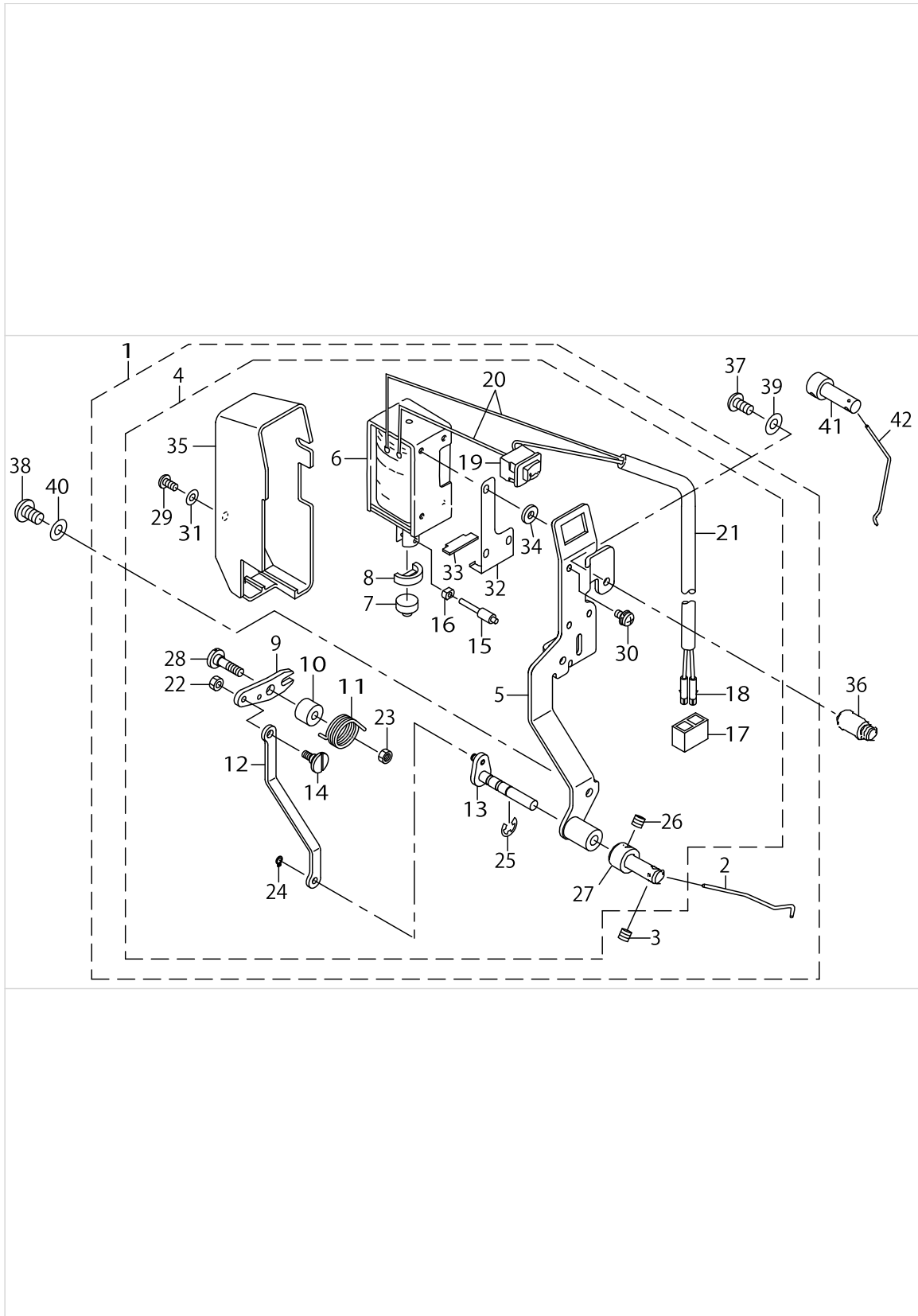


LOWER SHAFT COMPONENTS (2)

No.	Supply Code	Parts No.	Replacement	Parts name	Remarks	Choice	Step	Level	Cons	Qty	Rep. QTY
47		SM1040870TP		SCREW						2	
48		40072088		BELT						1	
49		40072208		IDLER INSTALLING PLATE						1	
50		SM4061255SP		SCREW M6 L=12						4	
51		40072103		IDLER BASE ASM						1	
52		SD0800346TP		SHOULDER SCREW						1	
53		SM6061010TP		SCREW M6 L=10						1	
54		WP0641601SD		WASHER M6						1	
55		13518501		SPRINGSUSPENSION						1	
56		14432504		IDLER SPRING						1	
57		SB112000200		BEARING						4	
58		WP1221016SP		WASHER						3	
59		RC1200001KP		C-SHAPED SNAP RING						1	
60		B1212210D00		PULLEY						1	
61		B1144210000		REVOLVING DIRECTION LABEL						1	
62		40044053		PULLEY SHAFT						1	
63		PS0400142KH		SPRING PIN 4X14						1	
64		A1230500000A		HANDWHEEL SETSCREW						1	
65		GAF01007000		SPRING						1	
66		40006516		GEAR_B						1	
67		SM8040502TP		SCREW M4X0.7 L=5						2	
68		40006840		RUBBER BUSH						3	
69		CQ200000000		OIL WICK						2.6	
70		23630007		TUBE						6.3	



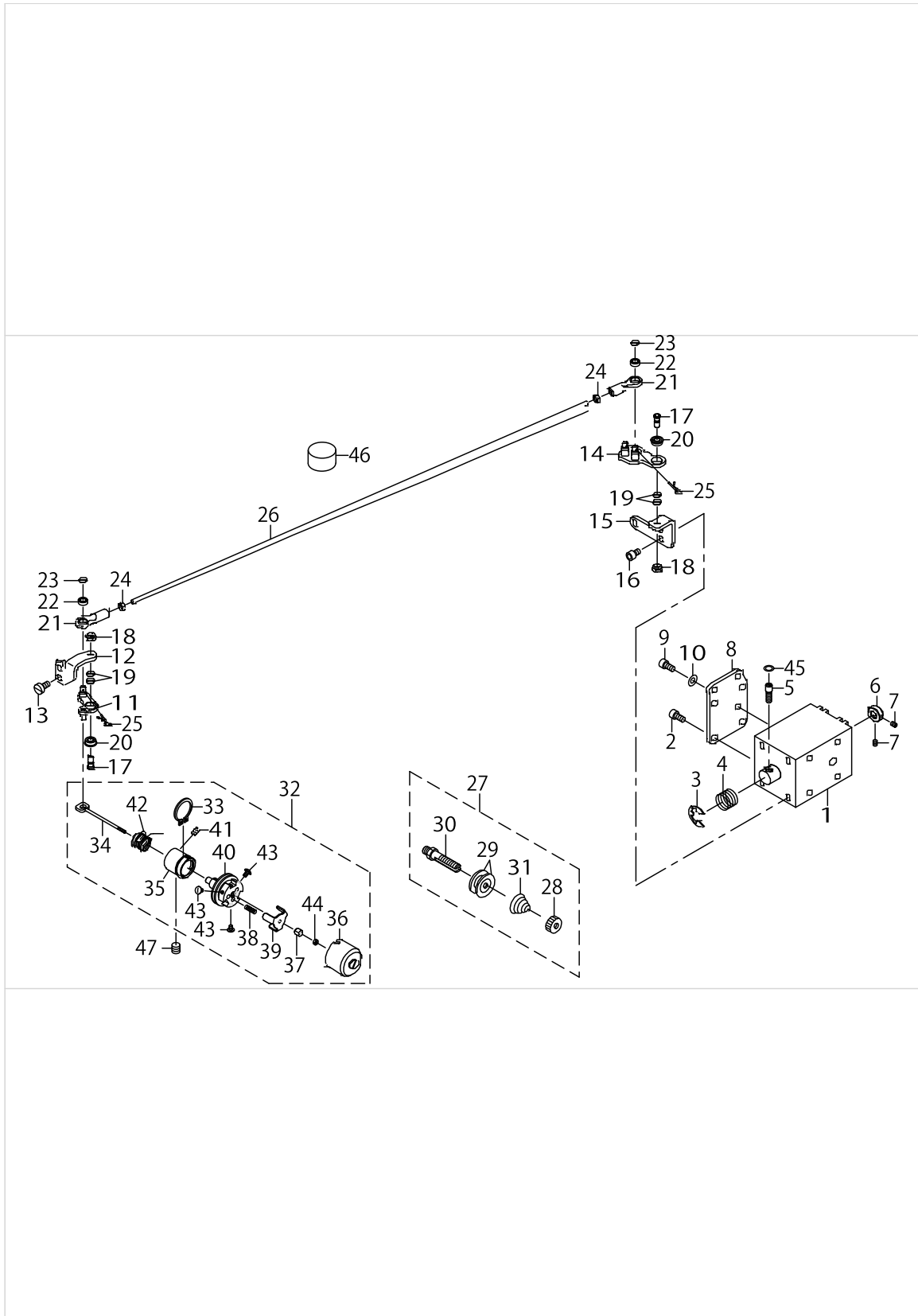
# WIPER MECHANISM COMPONENTS



WIPER MECHANISM COMPONENTS

No.	Supply Code	Parts No.	Replacement	Parts name	Remarks	Choice	Step	Level	Cons	Qty	Rep. QTY
1		40106615		WIPER_ASM_221						1	
2		B2107210D00		WIPER				*		1	
3		SM8040412TP		SET SCREW M4 L=4				*		1	
4		40106616		WIPER_B_ASM_221				*		1	
5		40086355		WIPER_BASE_ASM				*		1	
6		40030956		WIPER_SOLENOID				*		1	
7		22955900		WIPER RUBBER A				*		1	
8		22956007		WIPER RUBBER B				*		1	
9		40086350		WIPER_LINK_A				*		1	
10		40086353		WIPER_HINGE_SCREW_COLLAR				*		1	
11		40086349		WIPER_SPRING				*		1	
12		40086357		WIPER_LINK_B				*		1	
13		40086358		WIPER_DRIVING_SHAFT_ASM				*		1	
14		22956908		WIPER LINK B HINGE SCREW				*		1	
15		40086352		WIPER_SOLENOID_SHAFT				*		1	
16		40091894		SLIDE_BLOCK				*		1	
17		HK034610020		2-POLE NYLON PLUG				*		1	
18		HK03464000B		PIN CONTACT				*		2	
19		HA006000000		SWITCH				*		1	
20		HW200390000		ELECTRIC WIRE				*		0.04	
21		HW500070000		2-CORE CABTYRE CORD				*		1.8	
22		NS6090310SP		NUT 9/64-40				*		1	
23		NM6050001SC		NUT M5				*		1	
24		RC0370411KP		RETAINING RING				*		1	
25		RE0500000K0		E-RING				*		1	
26		SM8040412TP		SET SCREW M4 L=4				*		1	
27		40086354		WIPER_SHAFT_CAP				*		1	
28		40086351		SHOULDER_SCREW				*		1	
29		SM4030601SN		SCREW M3X6				*		1	
30		SL4031091SC		SCREW M3X10				*		3	
31		WP0320501SC		WASHER M3				*		1	
32		40037500		RUBBER HOLDER				*		1	
33		40037501		STOPPER RUBBER				*		1	
34		WP0482086SD		WASHER 4.8X11.5X2				*		3	
35		22955504		WIPER COVER				*		1	
36		40025440		WIPER_STUD_TOP						1	
37		SM4040855SP		SCREW						1	
38		SM4050855SP		SCREW						1	
39		WP0450801SP		WASHER						1	
40		WP0531001SC		WASHER						1	
41		40076294		WIPER_SHAFT_CAP	OPTIONAL PARTS					1	
42		B2107210D0B		WIPER	OPTIONAL PARTS					1	

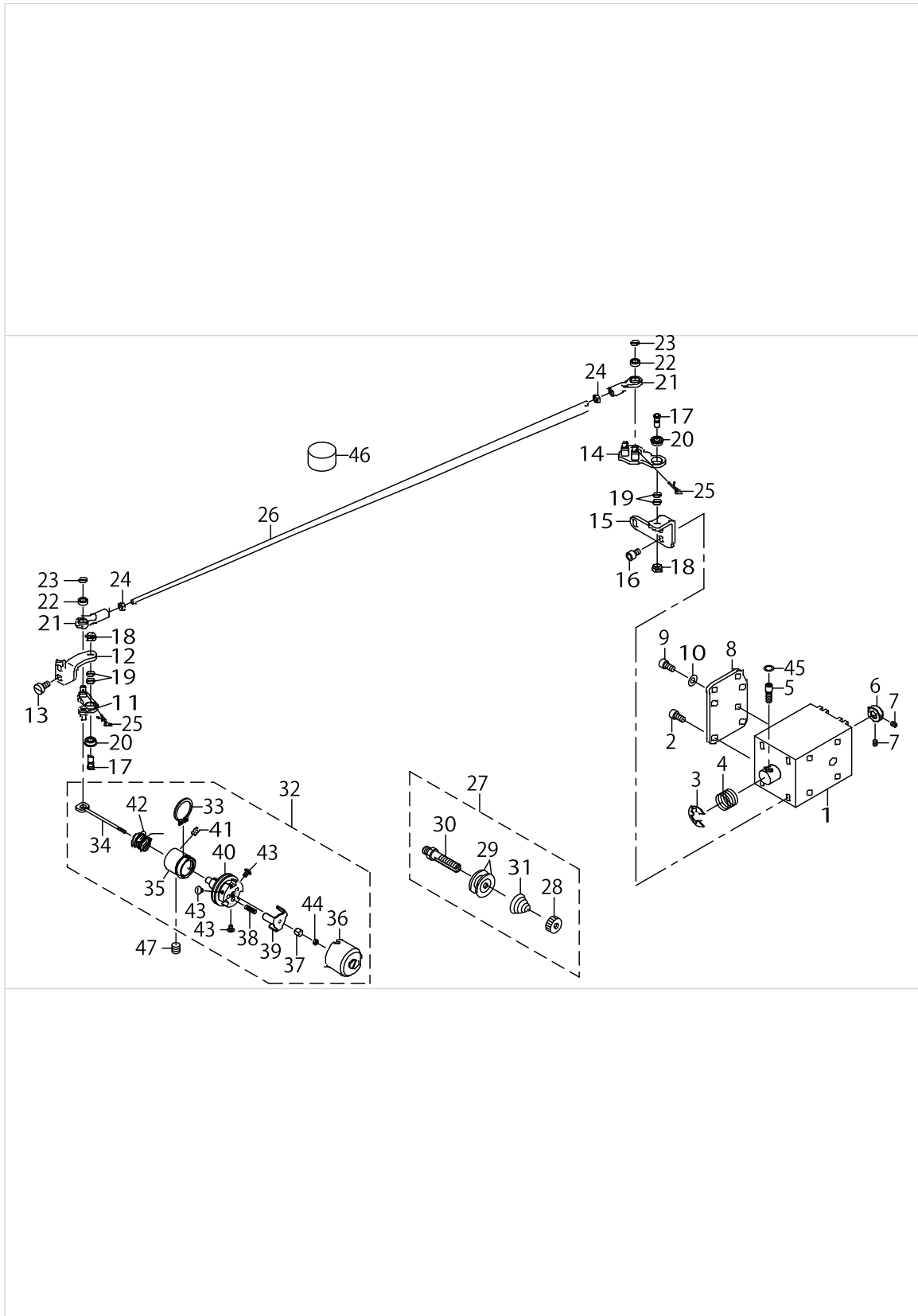
# TENSION RELEASE & THREAD TENSION COMPONENTS



TENSION RELEASE & THREAD TENSION COMPONENTS

No.	Supply Code	Parts No.	Replacement	Parts name	Remarks	Choice	Step	Level	Cons	Qty	Rep. QTY
1		40073660		AT SOLENOID						1	
2		SM6040802TP		SCREW M4X0.7 L=8						4	
3		RE0900000K0		E-RING 9						1	
4		40006625		SPRING						1	
5		40006617		AT_SOL_PIN						1	
6		40010477		AT_SOL_COLLAR						1	
7		SM8030412TP		SCREW						2	
8		40010479		AT_PLATE						1	
9		SM6040802TP		SCREW M4X0.7 L=8						2	
10		WP0430801SC		WASHER 4.3X9X0.8						2	
11		40032343		AT_DRIVE_LINK_F_ASM						1	
12		40023993		AT_PIVOT_BASE(F)						1	
13		SM6040860TP		SCREW M4 L=8						2	
14		40032345		AT_DRIVE_LINK_R_ASM						1	
15		40023999		AT_PIVOT_BASE(R)						1	
16		SM6040802TP		SCREW M4X0.7 L=8						2	
17		40010487		AT_PIVOT_SCREW						2	
18		NM6040003SC		NUT M4						2	
19		40010489		AT_PIVOT_SCREW_WASHER						4	
20		40010490		AT_PIVOT_BEARING						2	
21		40010497		AT_JOINT						2	
22		40010498		AT_JOINT_BEARING						2	
23		40010489		AT_PIVOT_SCREW_WASHER						2	
24		NM6030001SC		NUT M3X0.5 TYPE1						2	
25		40006622		AT_SNAP_PIN						2	
26		40072111		AT CONNECTIONBAR						1	
27		40010503		THREAD_TENSION_1_ASM.						1	
28		22928808		NUT				*		1	
29		22921506		THREAD TENSION DISK				*		2	
30	R	40010504	40010503	THREAD_TENSION_SHAFT				*		1	1.00
31		26218602		FIRST THREAD TENSION SPRING				*		1	
32		40029411		THREAD_TENSION_2_ASM_H						1	
33	R	40010523	40010508	POST_BASE_C_RING				*		1	1.00
34		40010509		TENSION RELEASE PIN				*		1	
35		40010510		THREAD_TENSION_POST_BASE				*		1	
36		40010511		DISK_STOPPER HOLDER_CAP				*		1	
37		40010512		THREAD_TENSION_SHAFT_COLLAR				*		1	
38		40010513		DISK_STOPPER_SPRING				*		3	
39		40010514		DISK_STOPPER				*		1	
40		40010515		ASSY_THREAD_TENSION_POST				*		1	
41		40010478		AT_SOL_COLLAR_SCREW				*		1	
42		40029412		THREAD_TAKE-UP_SPRING_H				*	☆	1	
43		40010521		HOLD_CAP_SCREW				*		3	
44		40010522		SHAFT_NUT				*		1	
45		WP0510516SD		WASHER 5.1X7.5X0.5						2	
46		B1228232000		OIL FELT						2	

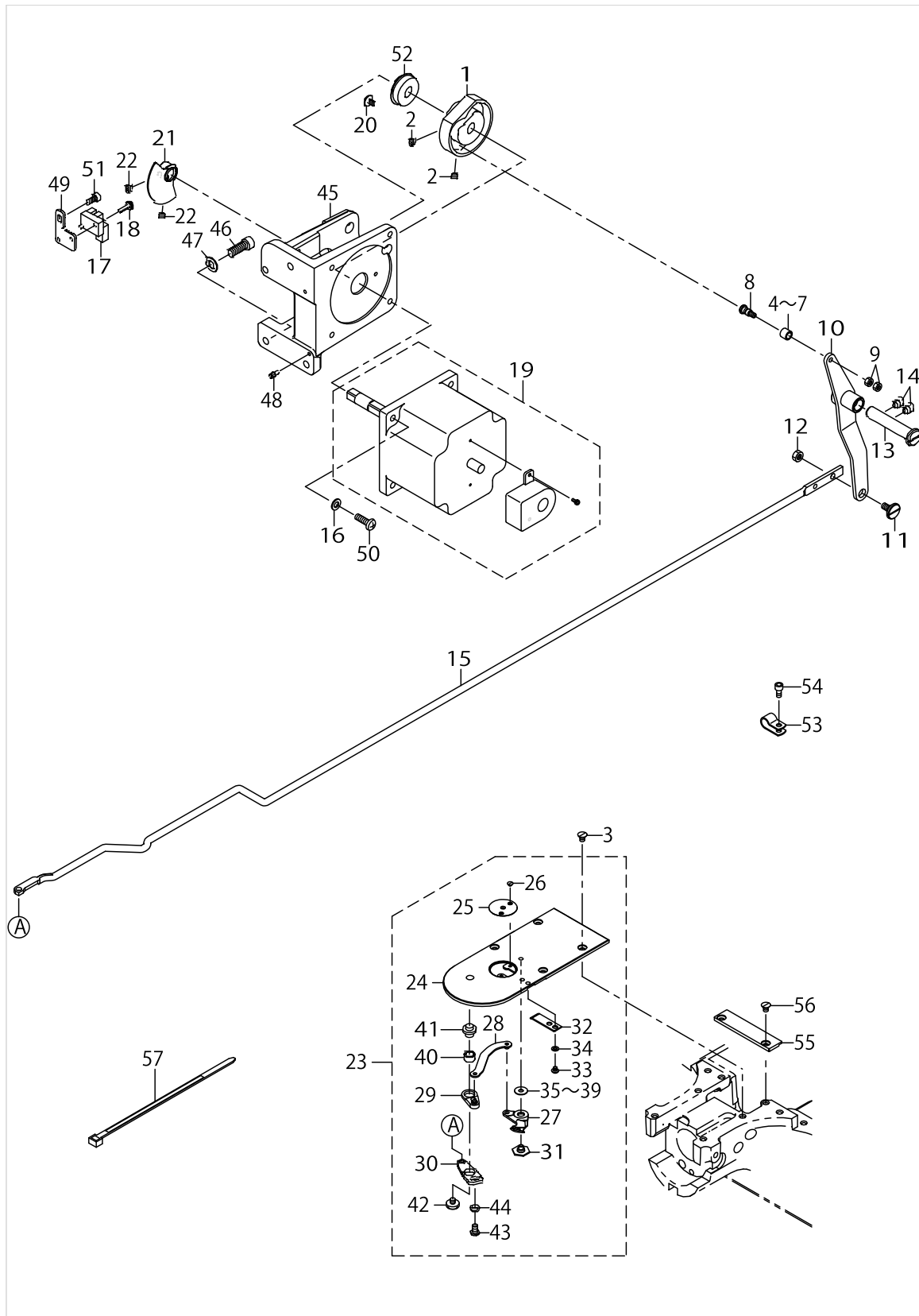
# TENSION RELEASE & THREAD TENSION COMPONENTS



TENSION RELEASE & THREAD TENSION COMPONENTS

No.	Supply Code	Parts No.	Replacement	Parts name	Remarks	Choice	Step	Level	Cons	Qty	Rep. QTY
47		SM8061612TP		SCREW M6X16						1	

# THREAD TRIMMER MECHANISM COMPONENTS

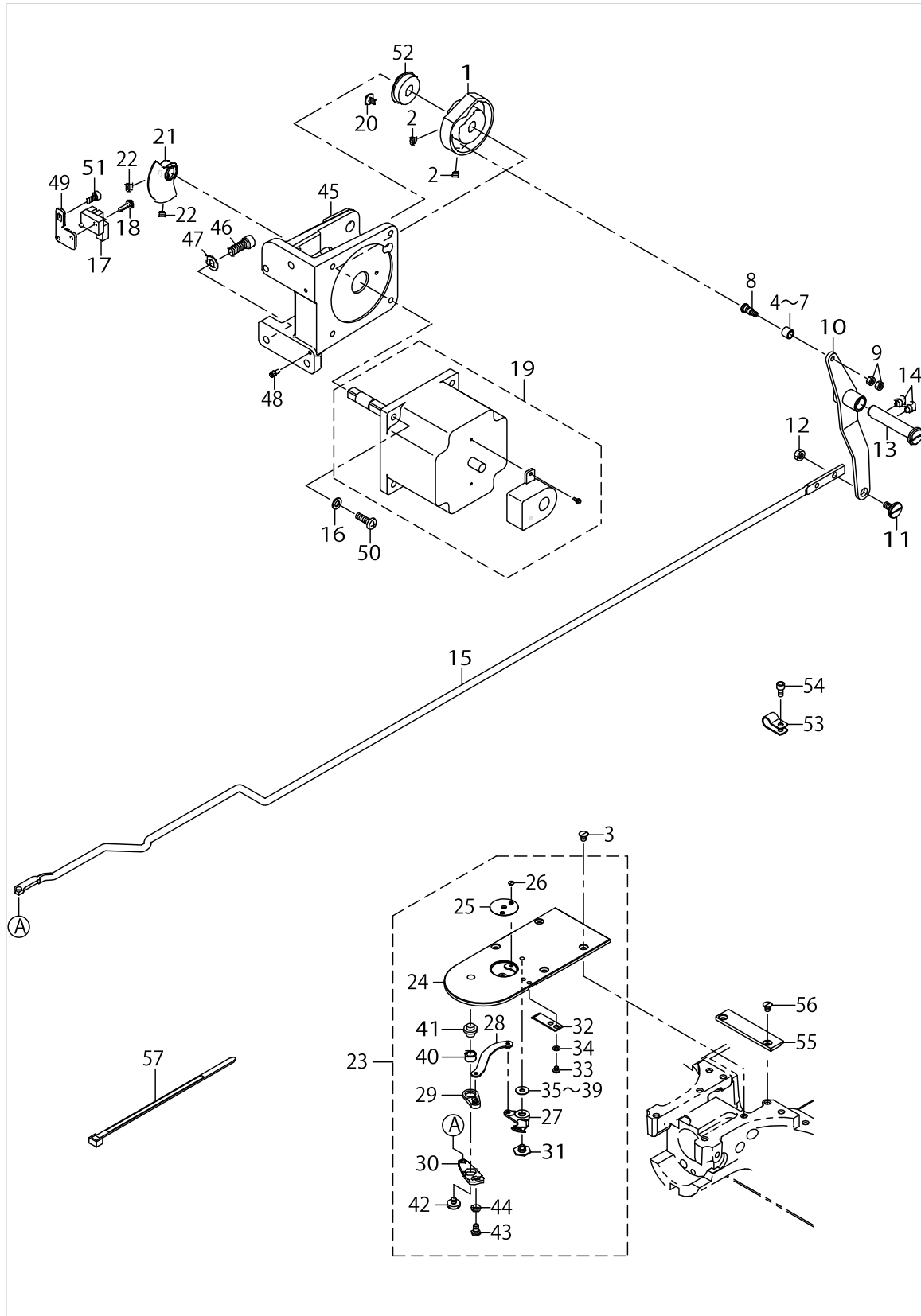


THREAD TRIMMER MECHANISM COMPONENTS

No.	Supply Code	Parts No.	Replacement	Parts name	Remarks	Choice	Step	Level	Cons	Qty	Rep. QTY
1		40030936		THREAD_TRIMMER_CAM						1	
2		SM8050592TP		SCREW						2	
3		SM1040650TP		SCREW						4	
4		23517501		NEEDLE CAM ROLLER A	SELECTIVE PARTS					1	
5		23517600		NEEDLE CAM ROLLER B	SELECTIVE PARTS					1	
6		23517709		NEEDLE CAM ROLLER C	SELECTIVE PARTS					1	
7		23517808		NEEDLE CAM ROLLER D	SELECTIVE PARTS					1	
8		40040256		ROLLER_SHAFT						1	
9		NM6040001SP		NUT M4X0.7						2	
10		40072228		THREAD_TRIMMER_LINK_ASM						1	
11		SD0800327TP		SHOULDER SCREW						1	
12		NM6050001SP		NUT M5						1	
13		40023624		THREAD_TRIMMER_SHAFT						1	
14		SM8060812TP		SCREW M6 L=8						2	
15		40072107		THREAD TRIMMER CONNECTING BAR						1	
16		WP0531000SD		WASHER M5						4	
17		HD00057000A		PHOTO SENSOR						1	
18		SL4031091SC		SCREW M3X10						1	
19		40103968		ENCODER MOTOR ASM.(TC)						1	
20		SM6040650TP		SCREW						1	
21		40006666		SENSOR_SLIT_ASM						1	
22		SM8050592TP		SCREW						2	
23		40182655		NEEDLE_PLATE_ASM						1	
24		40135369		NEEDLE PLATE				*		1	
25		14439608		NEEDLE HOLE GUIDE D=3				*	☆	1	
26		SS1060210TP		SCREW 3/32-56 L=2.2				*		2	
27		14440309		MOVING KNIFE				*	☆	1	
28		14440457		MOVING KNIFE LINK COMPL.				*		1	
29		14440556		LEVER TYPE COMPL.				*		1	
30		B24142800A0		THREAD CUTTER LEVER ASM.				*		1	
31		40173343		MOVING_KNIFE_HINGE_SCREW				*		1	
32		40135370		FIXING KNIFE				*	☆	1	
33		SM4030301SC		SCREW M3X0.5 L=3				*		2	
34		WP0320500SC		WASHER M3				*		2	
35		B242328000A		MOVING KNIFE WASHER A	SELECTIVE PARTS			*		1	
36		B242328000B		MOVING KNIFE WASHER B	SELECTIVE PARTS			*		1	
37		B242328000C		MOVING KNIFE WASHER C	SELECTIVE PARTS			*		1	
38		B242328000D		MOVING KNIFE WASHER D	SELECTIVE PARTS			*		1	
39		B242328000E		MOVING KNIFE WASHER E	SELECTIVE PARTS			*		1	
40		B2416280000		THREAD CUTTING LEVER RING				*		1	
41		B2417280000		THREAD CUTTER LEVER SHAFT				*		1	
42		40182656		SCREW				*		1	
43		40182657		SCREW				*		1	
44		WP0450846SP		WASHER				*		1	
45		40072211		MOTOR_BASE						1	
46		SM6061802TP		SCREW M6 L=18						3	



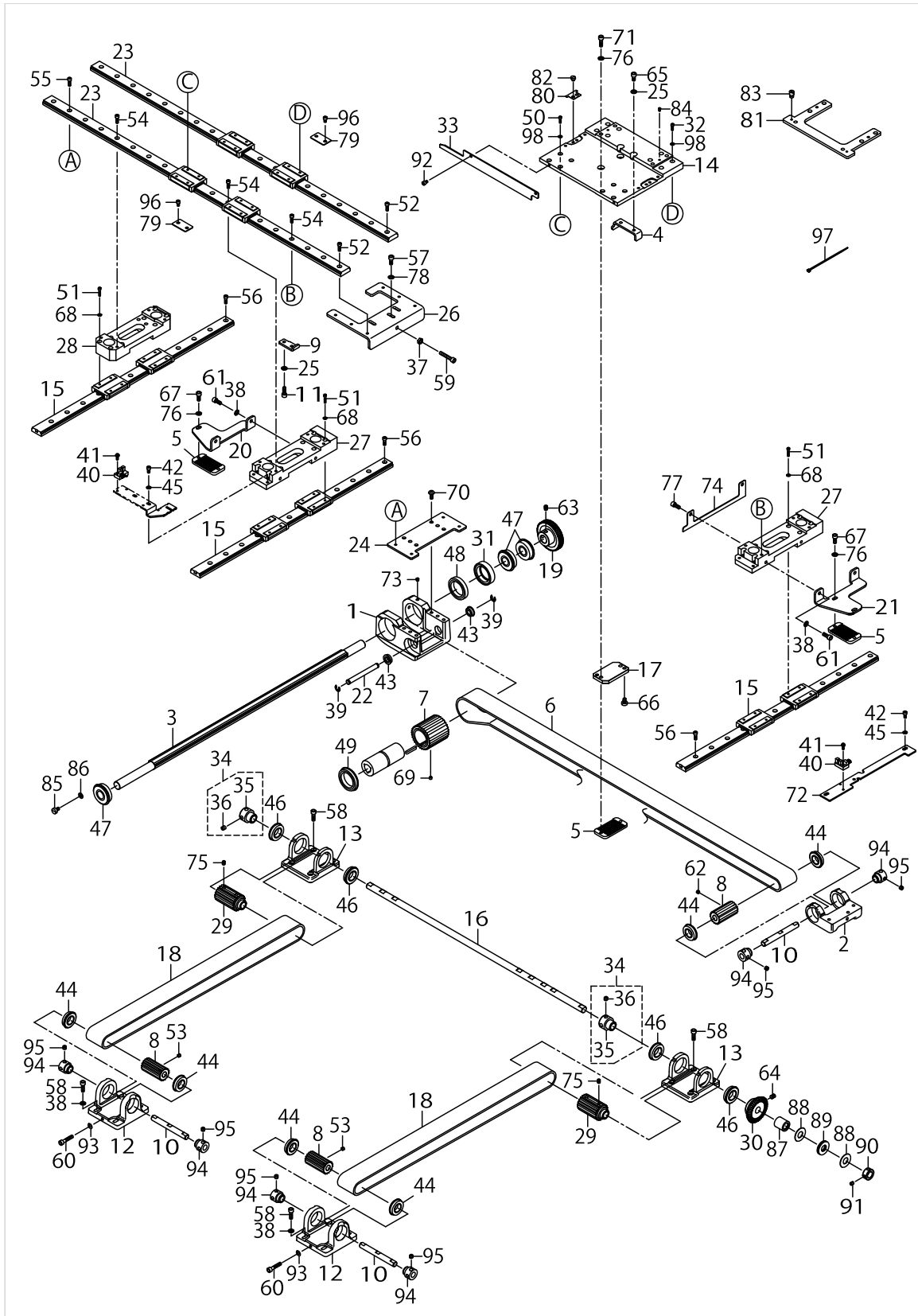
# THREAD TRIMMER MECHANISM COMPONENTS



THREAD TRIMMER MECHANISM COMPONENTS

No.	Supply Code	Parts No.	Replacement	Parts name	Remarks	Choice	Step	Level	Cons	Qty	Rep. QTY
47		WP0651001SC		WASHER						3	
48		B1816215P00		GUIDE PIN						2	
49		40010443		SENSOR_INSTALLING_BASE						1	
50		SM4051655SP		SCREW M5 L=16						4	
51		SM6040802TP		SCREW M4X0.7 L=8						1	
52		SB110002400		BEARING						1	
53		HX00150000C		CABLE CLIP						1	
54		SM6040802TP		SCREW M4X0.7 L=8						1	
55		40173339		NEEDLE_PLATE_SUPPORTER						1	
56		SM1040650TP		SCREW						2	
57		HX00065000A		CABLE CLIP						2	

X-Y COMPONENTS (1)



X-Y COMPONENTS (1)

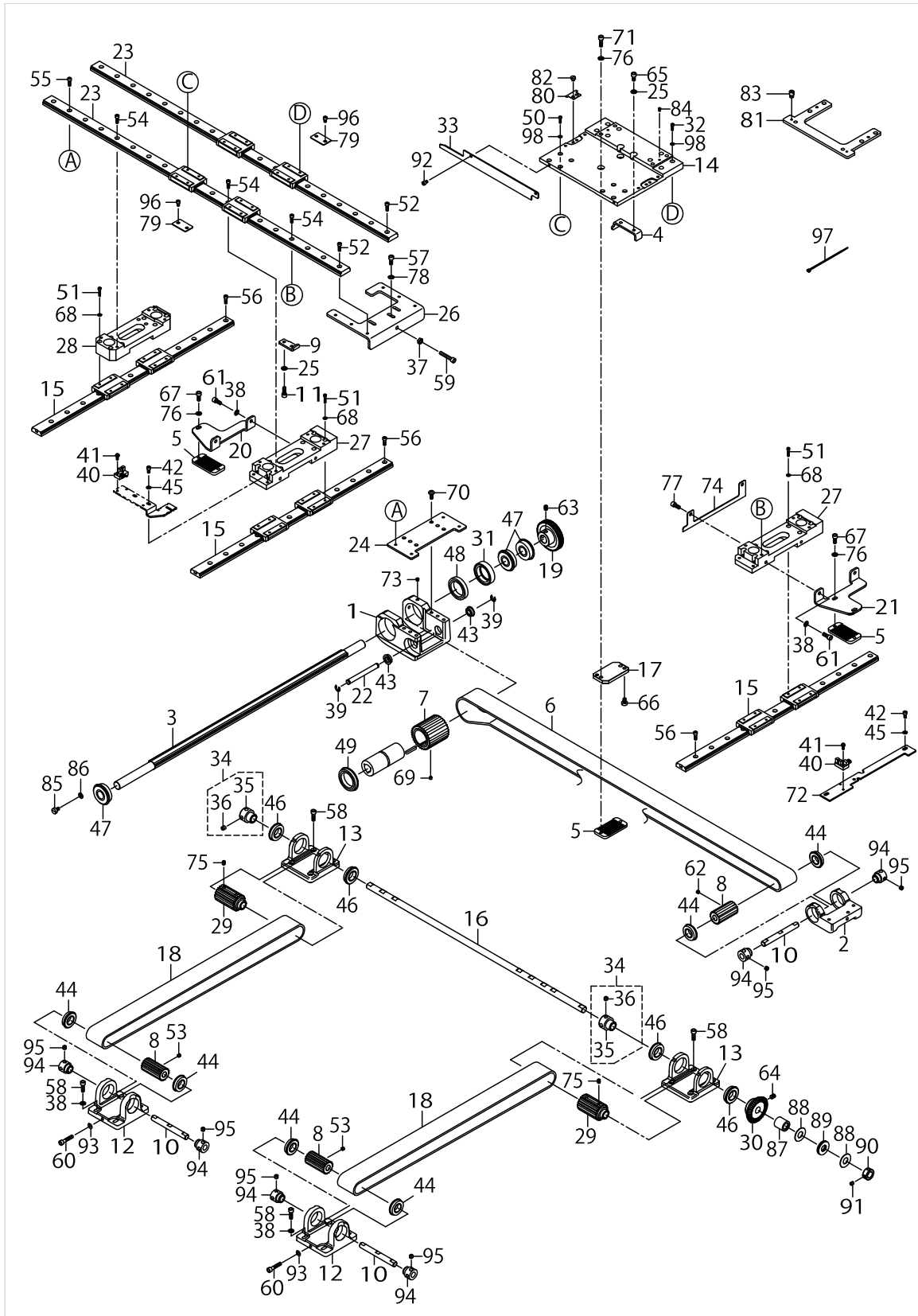
No.	Supply Code	Parts No.	Replacement	Parts name	Remarks	Choice	Step	Level	Cons	Qty	Rep. QTY
1		40072160		X_DRIVE_BRACKET						1	
2		40072113		X DRIVEN BRACKET						1	
3		40072115		X DRIVE SPLINE SHAFT						1	
4		40072130		X STOPPER A 4530						1	
5		40072166		BELT RECEIVER						3	
6		40072169		X TIMING BELT(4530)						1	
7		40072167		X DRIVE SPROCKET						1	
8		40072168		DRIVEN SPROCKET						3	
9		40072152		X STOPPER B 4530						1	
10		40072226		DRIVEN_SHAFT						3	
11		SM6051402TP		SCREW M5X0.8 L=14						2	
12		40072114		Y DRIVEN BRACKET						2	
13		40072112		Y DRIVE BRACKET						2	
14		40072116		X FEED BASE						1	
15		40072117		Y-LM GUIDE						3	
16		40072118		Y DRIVE SHAFT						1	
17		40072119		X BELT PRESSER FIX PLATE						1	
18		40072171		Y TIMING BELT						2	
19		B2534223C00		X DRIVEN WHEEL						1	
20		40072129		Y BELT PRESSER FIX PLATE LEFT						1	
21		40072128		Y BELT PRESSER FIX PLATE RIGHT						1	
22		B2539223C00		X IDLER SHAFT						1	
23		40072120		X-LM GUIDE(4530)						2	
24		40072122		X DRIVE BRACKET BASE						1	
25		WP0531000SD		WASHER M5						4	
26		40072156		X DRIVEN BRACKET BASE 4530						1	
27		40072124		Y FEED BASE A						2	
28		40072125		Y FEED BASE B						1	
29		40072126		Y DRIVE SPROCKET						2	
30		B2548223C00		Y DRIVEN WHEEL						1	
31		B2549223C00		COLLAR						1	
32		SM6031002TP		HEXAGONAL BOLT M3X10						8	
33		40072131		X SLIT PLATE 4530						1	
34		40086384		BEARING SUPPORT ASM.						2	
35		23618606		BEARING SUPPORT				*		1	
36		SS8660612TP		SCREW 1/4-40 L=6				*		2	
37		NM6050001SP		NUT M5						1	
38		WP0531000SD		WASHER M5						12	
39		RE0600000K0		E-RING 6						2	
40		HD00057000A		PHOTO SENSOR						2	
41		SL4031091SC		SCREW M3X10						2	
42		SM6040802TP		SCREW M4X0.7 L=8						4	
43		SB108000500		RADIAL BEARING						2	
44		SB115000600		BALL BEARING						6	
45		WP0430800SD		WASHER M4						4	
46		SB117000900		BEARING						4	



X-Y COMPONENTS (1)

No.	Supply Code	Parts No.	Replacement	Parts name	Remarks	Choice	Step	Level	Cons	Qty	Rep. QTY
47		B1802180000		BUSHING FRONT						3	
48		SB130000200		BEARING						1	
49		SB130000300		BEARING						1	
50		SM6030602TP		SCREW M3X0.5 L=6						8	
51		SM6031402TP		SCREW						24	
52		SM6041202TP		SCREW M4X0.7 L=12						6	
53		SM8050412TP		SCREW M5 L=4						4	
54		SM6041202TP		SCREW M4X0.7 L=12						12	
55		SM6041202TP		SCREW M4X0.7 L=12						4	
56		SM6041202TP		SCREW M4X0.7 L=12						21	
57		SM6051202TP		SCREW M5X0.8 L=12						3	
58		SM6051602TP		SCREW M5X0.8 L=16						16	
59		SM6053052TN		SCREW						1	
60		SM6052502TP		SCREW M5X0.8 L=25						2	
61		SM6051202TP		SCREW M5X0.8 L=12						4	
62		SM8050412TP		SCREW M5 L=4						2	
63		SM8060802TP		SCREW M6 L=8						2	
64		SM8060812TP		SCREW M6 L=8						2	
65		SM6051002TP		SCREW M5X0.8 L=10						2	
66		SM6050800SP		SCREW M5 L=8						2	
67		SM6051202TP		SCREW M5X0.8 L=12						4	
68		WP0320501SD		WASHER						24	
69		SM8050412TP		SCREW M5 L=4						2	
70		SM4051255SP		SCREW M5 L=12						6	
71		SM6051602TP		SCREW M5X0.8 L=16						2	
72		40072209		YSENSOR INSTALLING PLATE						1	
73		SM8050412TP		SCREW M5 L=4						2	
74		40072133		Y SLIT PLATE						1	
75		SM8050612TP		SCREW M5X6						8	
76		WP0531000SD		WASHER M5						6	
77		SM6050652TP		HEXAGON SOCKET HEAD SCREW M5X6						2	
78		WP0531000SD		WASHER M5						3	
79		B4022221D00		FLAT CABLE CLAMP						2	
80		B1158224C00		COVER PRESSER						2	
81		40072127		LOWER PLATE INSTALLING PLATE						1	
82		SM6040450TP		SCREW M4 L=4						4	
83		B151902600G		HINGE STUD						2	
84		B1816280000		GUIDE PIN						2	
85		SM6050800SP		SCREW M5 L=8						1	
86		WP0531000SD		WASHER M5						1	
87		SB312000600		BEARING						1	
88		13887005		THRUST WASHER						2	
89		SB612000100		BEARING						1	
90		CS1200981TP		THRUST COLLAR D=12 W=9						1	
91		SM8050592TP		SCREW						2	
92		SM6040602TP		SCREW M4 L=6						2	

X-Y COMPONENTS (1)

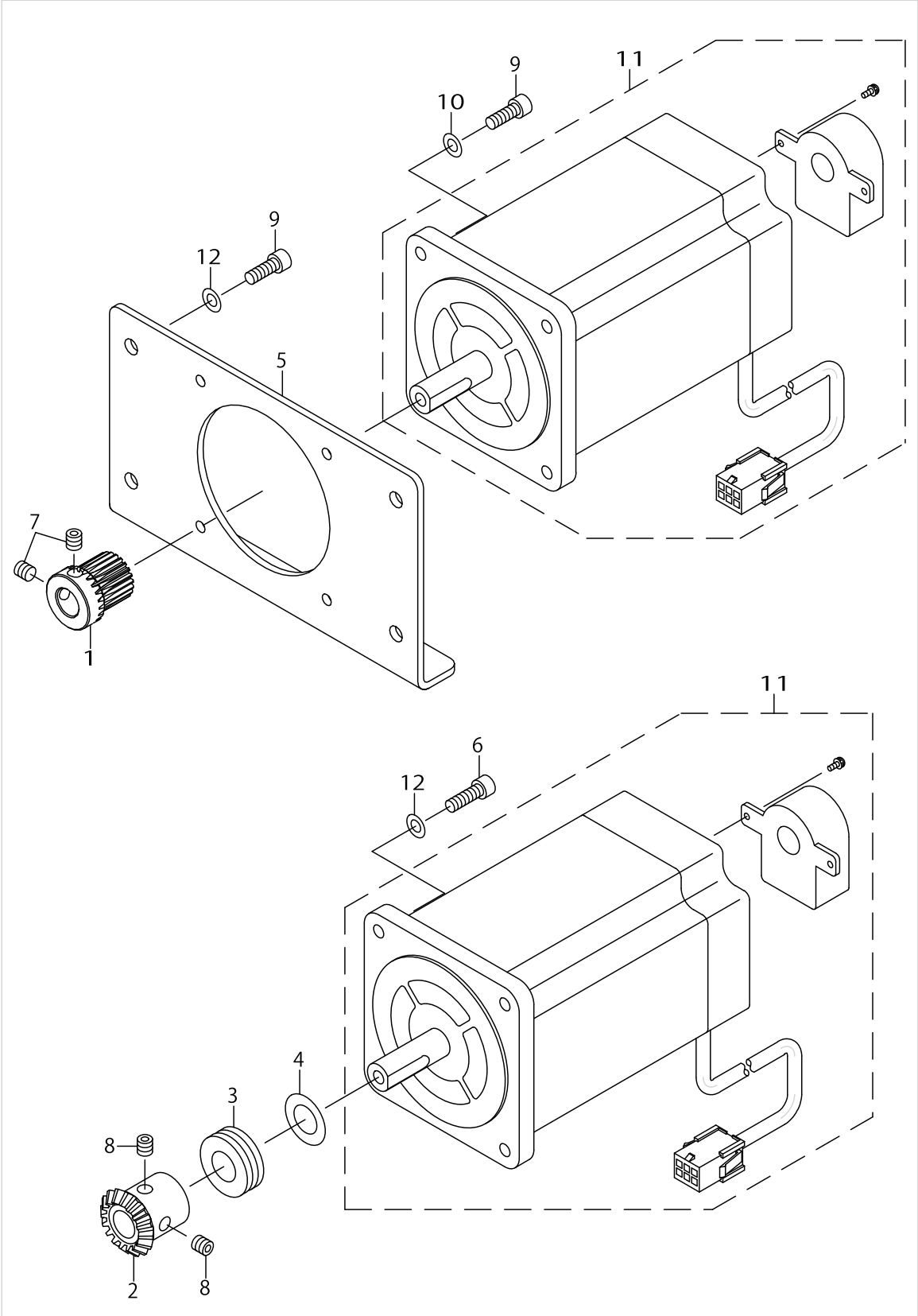


X-Y COMPONENTS (1)

No.	Supply Code	Parts No.	Replacement	Parts name	Remarks	Choice	Step	Level	Cons	Qty	Rep. QTY
93		WP0531000SD		WASHER M5						2	
94		40072227		BEARING_BUSH						6	
95		SM8060552TP		SCREW M6 L=5						12	
96		SM6040602TP		SCREW M4 L=6						4	
97		EA9500B0100		CABLE BAND						3	
98		WP0320501SD		WASHER						16	



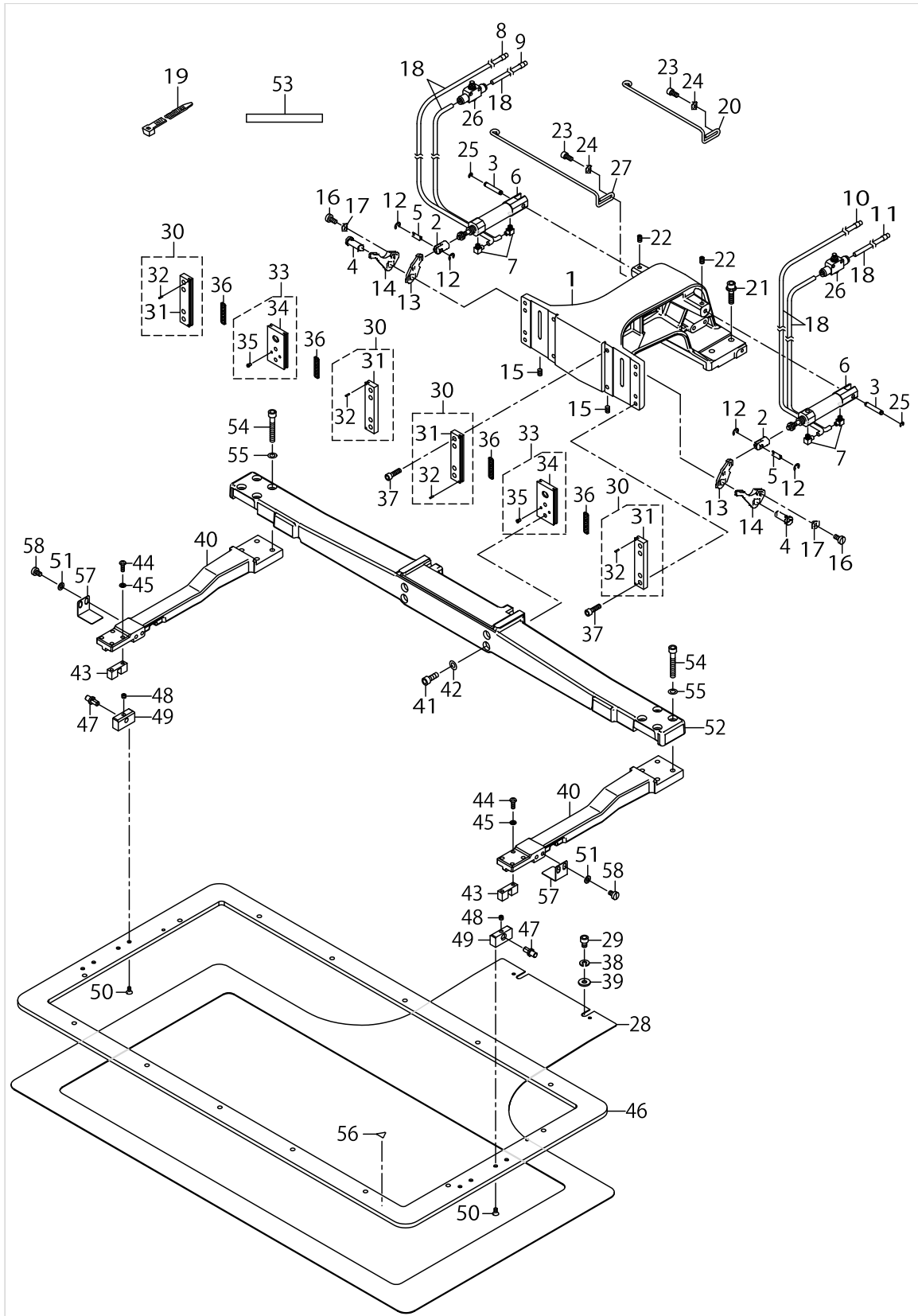
X-Y COMPONENTS (2)



X-Y COMPONENTS (2)

No.	Supply Code	Parts No.	Replacement	Parts name	Remarks	Choice	Step	Level	Cons	Qty	Rep. QTY
1		B2525223C00		X DRIVE WHEEL						1	
2		B2526223C00		Y DRIVE WHEEL						1	
3		SB412000100		BEARING						1	
4		B2537221D00		Y DRIVE WHEEL SPACER						3	
5		40072155		X MOTOR INSTALLING PLATE						1	
6		SM6051602TP		SCREW M5X0.8 L=16						4	
7		SM8060602TP		SCREW M6X6						2	
8		SM8060602TP		SCREW M6X6						2	
9		SM6051402TP		SCREW M5X0.8 L=14						8	
10		WP0531000SD		WASHER M5						4	
11		40104419		ENCODER MOTOR ASM.(X-Y)						2	
12		WP0531000SD		WASHER M5						8	

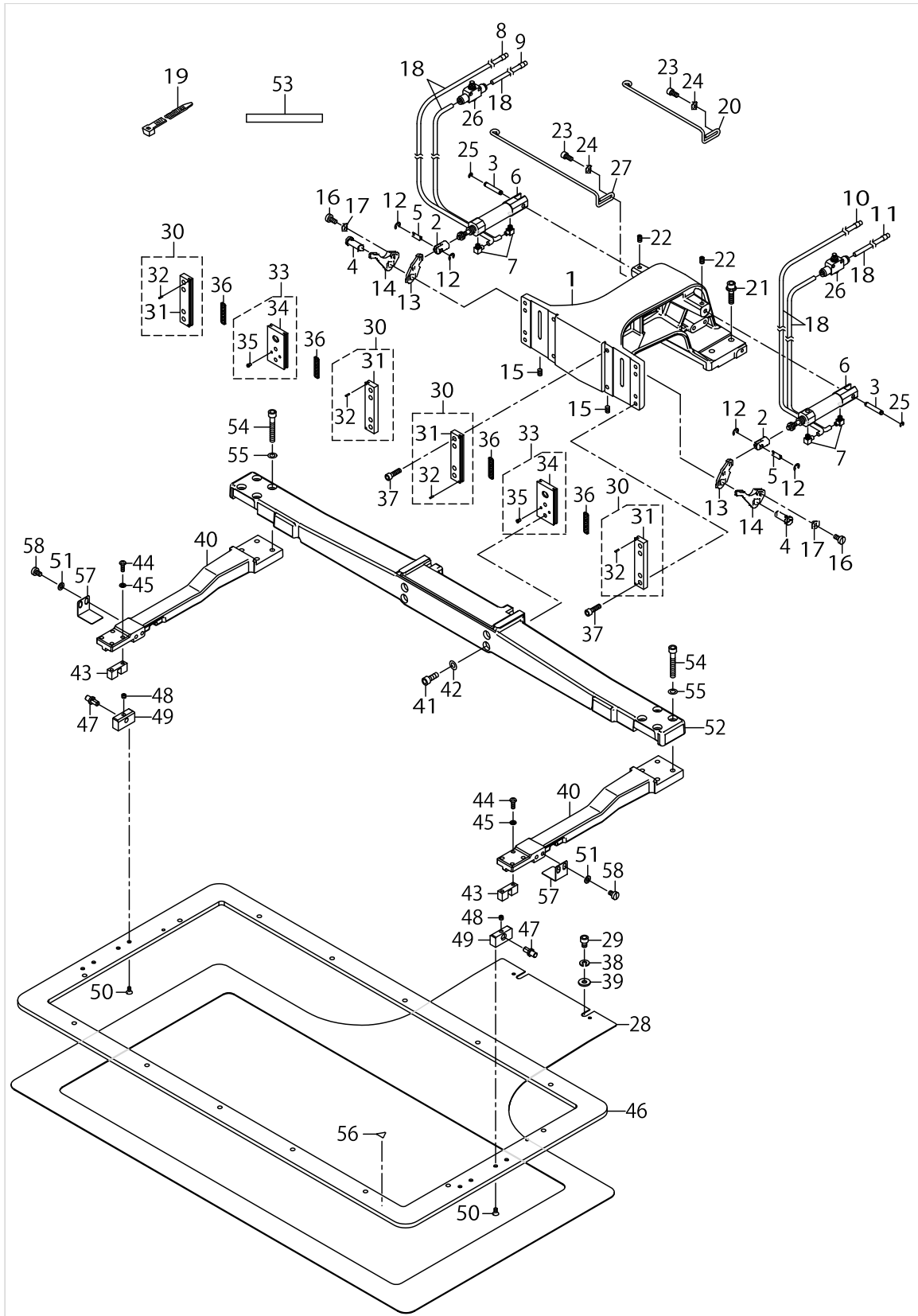
# CLOTH FEED MECHANISM COMPONENTS



CLOTH FEED MECHANISM COMPONENTS

No.	Supply Code	Parts No.	Replacement	Parts name	Remarks	Choice	Step	Level	Cons	Qty	Rep. QTY
1		40072135		CLOTH FEED BASE						1	
2		40023644		CYLINDER KNUCKLE						2	
3		B1504210000		CONNECTING SHAFT						2	
4		26023408		FEED STUD						2	
5		40023635		CYLINDER PIN						2	
6		PA1602509A0		AIR CYLINDER						2	
7		PJ046052503		HOSE ELBOW						4	
8		B471122000C		AIR TUBE LABEL J03 LEFT						1	
9		B471122000D		AIR TUBE LABEL J04 LEFT						1	
10		B471122000G		AIR TUBE LABEL J03 RIGHT						1	
11		B471122000H		AIR TUBE LABEL J04 RIGHT						1	
12		RE0300000K0		E-RING 3						4	
13		40032229		LIFTING_LEVER_A						2	
14		40085820		LIFTING_LEVER_B						2	
15		SM8050812TP		SCREW M5X8						2	
16		SM6051000SP		SCREW						2	
17		WP0531000SD		WASHER M5						2	
18		BT0400251EB		URETHANE HOSE BLACK						4	
19		HX002330000		CLIP						10	
20		B2568223C00		AIR TUBE SUPPORT						1	
21		SL6062592TN		SCREW						4	
22		SM8050812TP		SCREW M5X8						2	
23		SM6051002TP		SCREW M5X0.8 L=10						4	
24		WP0531000SD		WASHER M5						4	
25		RE0320000K0		E-RING 3.2						2	
26		PC012401000		SPEED CONTROLLER						2	
27		B2568224C00		AIR TUBE SUPPORT A						1	
28		40072136		LOWER PLATE 4530						1	
29		SM6060802TP		SCREW M6 L=8						2	
30		B2567223CA0		WORK CLAMP FOOT PLATE B ASM.						4	
31	R	B2567223C00	B2567223CA0	WORK CLAMP FOOT PLATE B				*		4	1.00
32		PS0150065KP		SPRING PIN 1.5X6				*		8	
33		40085830		SLIDE_PLATE_ASM.						2	
34		40085824		SLIDE_PLATE				*		2	
35		B1816280000		GUIDE PIN				*		4	
36		B2569229000		SLIDING PLATE BEARING						4	
37		SM6051802TP		SCREW M5 L=18						12	
38		WS0610002KP		SPRING WASHER						2	
39		WP0611626SP		WASHER 15X6X1.6						2	
40		40072163		FEEDING_FRAME_ARM_B						2	
41		SM6061602TP		SCREW M6 L=16						4	
42		WP0641600SC		WASHEW6.4X12.5X1.6						4	
43		40051770		FEEDING FRAME BALL CATCH						2	
44		SM4041255SP		SCREW M4 L=12						4	
45		WP0450000SD		WASHER 4.5X8X0.5						4	
46		40072138		FEEDING FRAME 4530						1	

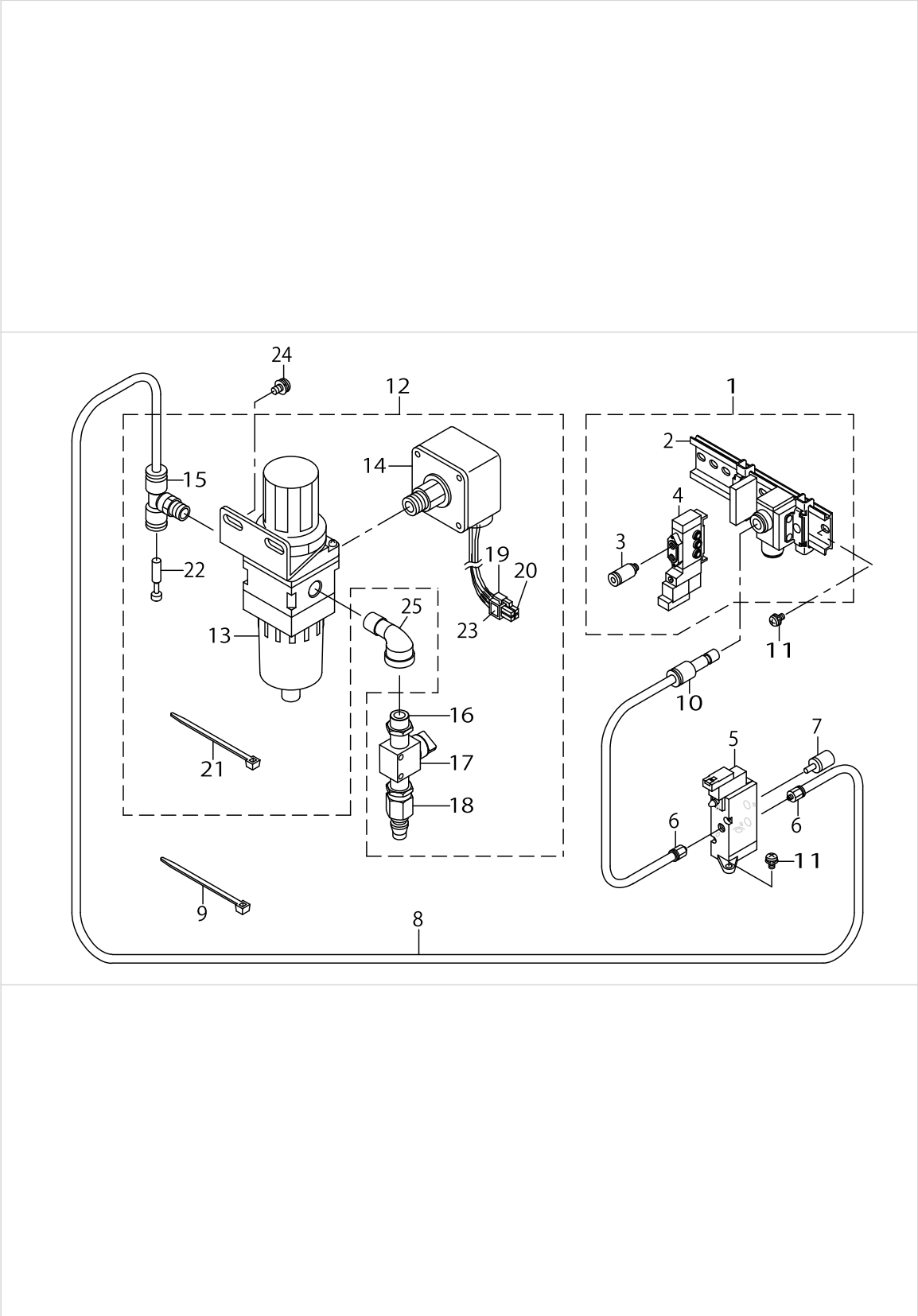
# CLOTH FEED MECHANISM COMPONENTS



CLOTH FEED MECHANISM COMPONENTS

No.	Supply Code	Parts No.	Replacement	Parts name	Remarks	Choice	Step	Level	Cons	Qty	Rep. QTY
47		B2560220000		SUPPORT PIN						2	
48		SM8050412TP		SCREW M5 L=4						2	
49		40051769		FEEDING FRAME S- UPPORT BEARING						2	
50		SM1040870TP		SCREW						4	
51		WP0531000SD		WASHER M5						4	
52		40072161		FEEDING_FRAME_ARM_A_4530						1	
53		HX00364000E		PARTS						1.2	
54		SM6062502TN		HEXAGONAL-HOLE BOLT						8	
55		WP0641600SC		WASHEW6.4X12.5X1.6						8	
56		CM300200003		ATTENTION LABEL						1	
57		B2563215000		FEEDING FRAME HOLDING PLATE						2	
58		SM6050800SP		SCREW M5 L=8						4	

PNEUMATIC COMPONENTS

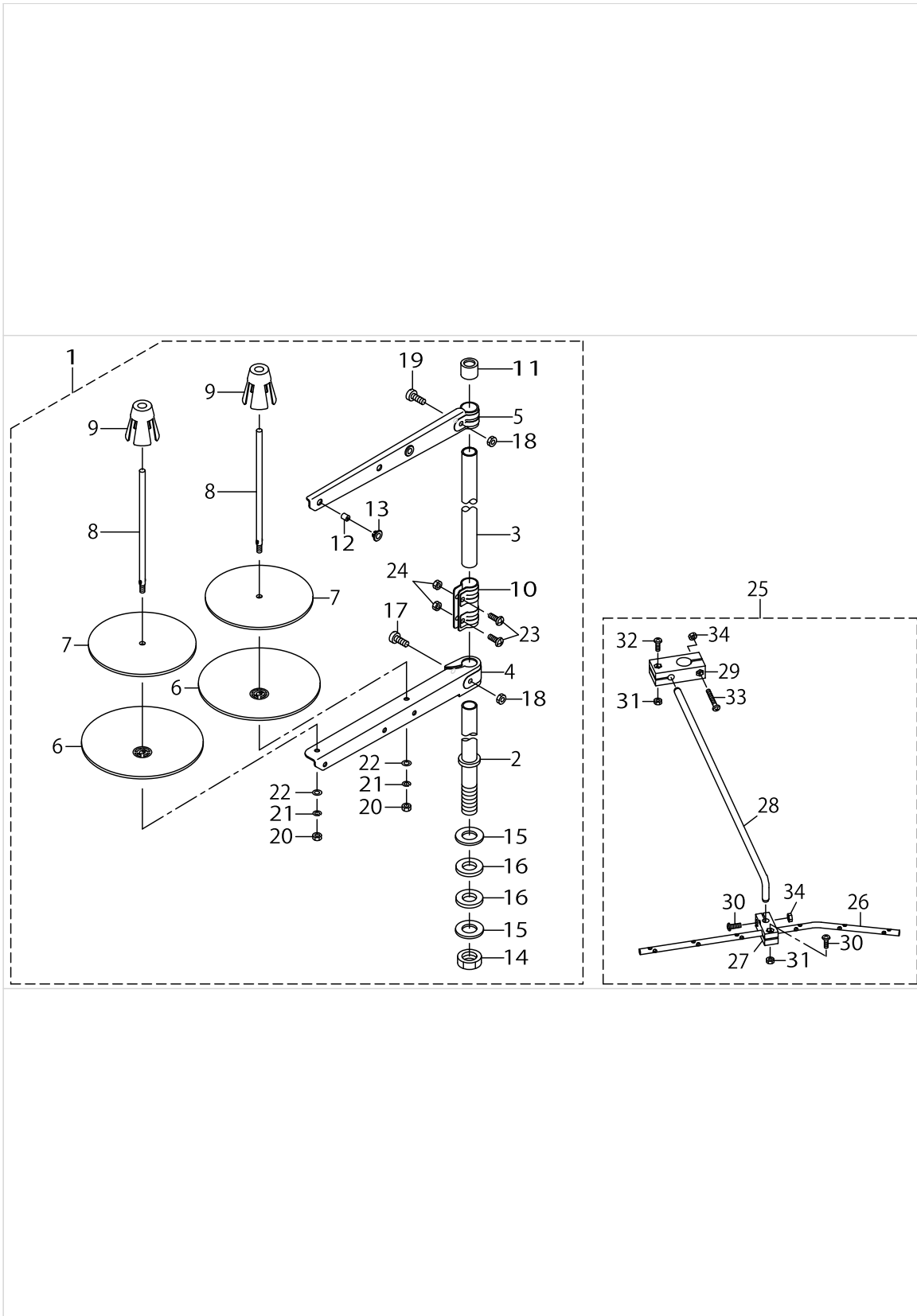


PNEUMATIC COMPONENTS

No.	Supply Code	Parts No.	Replacement	Parts name	Remarks	Choice	Step	Level	Cons	Qty	Rep. QTY
1		40072220		SOLENOID_VALVE_ASM						1	
2		PV915005000		SOLENOID VALVE I- NSTALLING BASE				*		1	
3		PJ301040505		HALF UNION				*		2	
4		PV150209100		SOLENOID VALVE				*		1	
5		PV1351270A0		3-WAY SOLENOID VALVE						1	
6		PJ301065103		HALF UNION 6XPT1/8						2	
7		PX055104000		SILENCER (PT1/8)						1	
8		BT0600401EB		TUBE						1.1	
9		EA9500B0100		CABLE BAND						1	
10		PJ301060003		REDUCER						1	
11		SL4040891SC		SCREW M4 L=8						4	
12		B47152150A0		FILTER REGULATOR ASM.						1	
13		PF0552040B0		FILTER REGULATOR				*		1	
14	R	G8124270000	G85048750A0	AIRPRESSUESWITCH		A	AVP-875	*		1	1.00
14	R	G8124270000	40030951	AIRPRESSUESWITCH		B	AMS-210E- N,AMS-221EN	*		1	1.00
14	R	G8124270000	B47152150A0	AIRPRESSUESWITCH		C	MEB-3200,- LK-1910/2- 0/30/41,AMS-224E	*		1	1.00
15		PJ305065202		TEE				*		1	
16		PJ030520001		RING JOINT (NIPPLE)				*		1	
17	R	G5430116000	40030951	AIR COCK				*		1	1.00
18		PJ309005203		QUICK JOINT PLUG				*		1	
19		HK034610040		HOUSING				*		1	
20		HK034640000		PIN CONTACT				*		3	
21		EA9500B0100		CABLE BAND				*		5	
22		PX950009000		PLUG				*		1	
23	D	E2678453000		CONNECTOR MARKER J78				*		1	
24		SL4051091SC		SCREW M5X0.8 L=10						2	
25		PJ042520002		ELBOW						1	



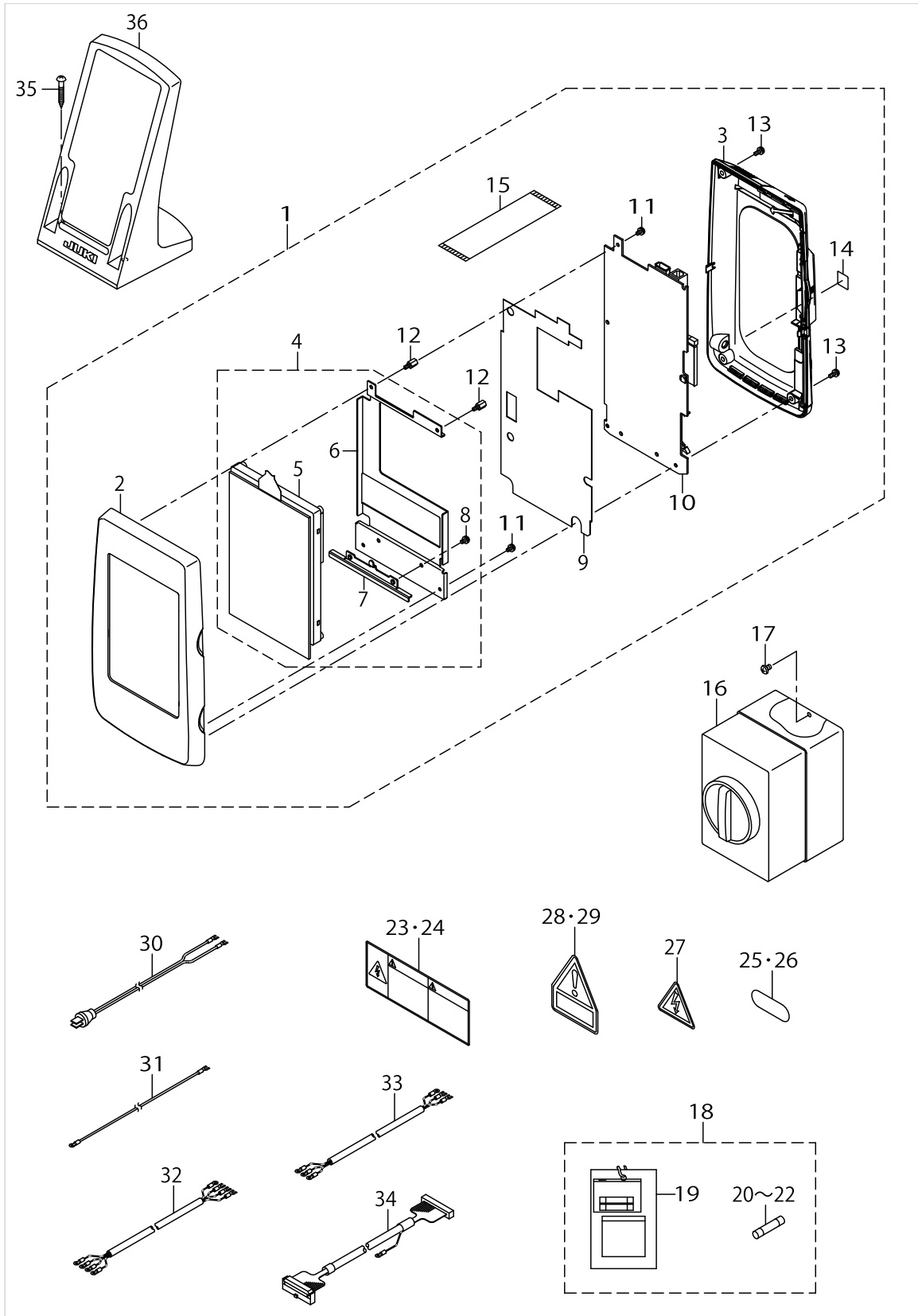
# THREAD STAND COMPONENTS



THREAD STAND COMPONENTS

No.	Supply Code	Parts No.	Replacement	Parts name	Remarks	Choice	Step	Level	Cons	Qty	Rep. QTY
1		40096354		THREAD STAND ASM.						2	
2		40085784		SPOOL REST ROD LOWER				*		2	
3		40085785		SPOOL REST ROD UPPER				*		2	
4		40085786		SPOOL REST ARM LOWER				*		2	
5		40085787		SPOOL REST ARM UPPER				*		2	
6		40085788		SPOOL REST				*		4	
7		40085789		SPOOL REST CUSHION				*		4	
8		40085790		SPOOL PIN				*		4	
9		40085791		SPOOL RETAINER				*		4	
10		40085792		SPOOL REST ROD JOINT				*		2	
11		40085793		SPOOL REST ROD RUBBER CAP				*		2	
12		40085794		THREAD GUIDE				*		4	
13		40085795		THREAD GUIDE BUSHING				*		4	
14		40096325		SPOOL REST ROD NUT				*		2	
15		WP1612616SE		WASHER 16X30X2.6				*		4	
16		40085796		SPOOL REST ROD RUBBER CUSHION				*		4	
17		40096326		SPOOL REST ARM LOWER SCREW				*		2	
18		NM6050001SE		NUT M5				*		4	
19	R	40096327	SM4053001SE	SPOOL REST ARM UPPER SCREW				*		2	1.00
20		NM6050001SE		NUT M5				*		4	
21		WS0510002KN		SPRING WASHER M5				*		4	
22		WP0531001SC		WASHER M5				*		4	
23		SM4051405SE		SCREW M5 L=14				*		4	
24		NM6050001SE		NUT M5				*		4	
25		26910059		THREAD GUIDE ARM ASM.						1	
26		40106583		THREAD GUIDE 6				*		1	
27		40106580		THREAD GUIDE UNDER BASE				*		1	
28		40106576		THREAD GUIDE ARM				*		1	
29		40106579		THREAD GUIDE ARM BASE				*		1	
30		SM4041201SC		SCREW_M4X0.7_L=12				*		2	
31		NM6040002SE		NUT M4X0.7				*		2	
32		SM4041201SC		SCREW_M4X0.7_L=12				*		1	
33		SM4042501SC		SCREW M4X0.7 L=25				*		1	
34		NM6040002SE		NUT M4X0.7				*		2	

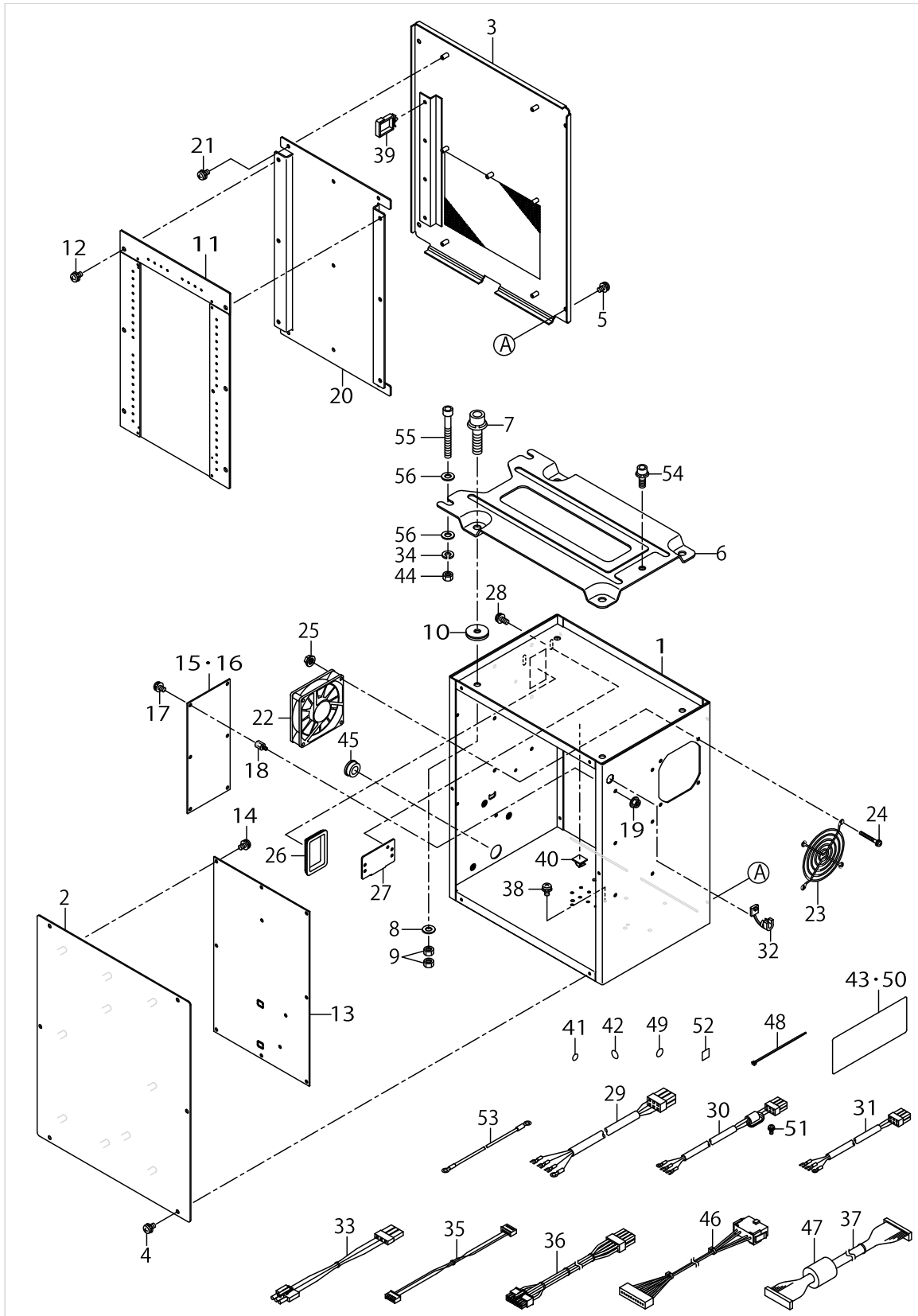
# OPERATION PANEL COMPONENTS



OPERATION PANEL COMPONENTS

No.	Supply Code	Parts No.	Replacement	Parts name	Remarks	Choice	Step	Level	Cons	Qty	Rep. QTY
1		40086485		IP-420F PANEL ASSY						1	
2		40078163		FRONT_CASE				*		1	
3		40080799		REAR_CASE_ASSY				*		1	
4		40080800		LCD_ASSY				*		1	
5		40086541		LCD TOUCH PANEL ASSY				*		1	
6		40083668		LCD_BRACKET				*		1	
7	R	40083666	40080800	LCD_STAY				*		1	1.00
8		SL4030681SC		SCREW M3 L=6				*		2	
9		40078168		INSULATION_SHEET				*		1	
10		40166481		PANEL PCB ASSY				*		1	
11		SL4030681SC		SCREW M3 L=6				*		3	
12		HX00354000B		PCB SUPPORT L=8MM				*		2	
13		SL4030881SC		SCREW M3X8				*		4	
14		CM600100101		WEEE MARK LABEL S				*		1	
15		HW002650330		FLAT CABLE				*		1	
16		HA005820000		SWITCH						1	
17		SL4041091SE		SCREW M4 L=10						2	
18		40074051		OPTION A ASSY						1	
19		M300451100A		VOLTAGE INDICATION CARD A				*		1	
20		HF00130315S		FUSE 3.15A 250V REF. NO.112				*		1	
21		HF003000200		FUSE 2A (220/240V)				*		1	
22		HF0013050P0		FUSE 5A				*		1	
23		CM300100401		LABEL 3 (LARGE)	FOR USE IN JAPAN(1-PHASE)					1	
24		CM300100401		LABEL 3 (LARGE)	FOR USE IN JAPAN,JA					1	
25		BME01100000		VOLTAGE INDICATION SEAL	FOR USE IN JAPAN(1-PHASE)					1	
26		BME03200000		VOLTAGE INDICATION SEAL	FOR USE IN JAPAN,JA					1	
27		CM300100003		VOLTAGE WARNING LABEL(25)	FOR JE,GE- NERAL EXPORT					1	
28		CM300400701		VOLTAGE CAUTION LABEL	FOR USE IN JAPAN,JA					1	
29		CM300400601		VOLTAGE CAUTION LABEL	FOR JE,GE- NERAL EXPORT					1	
30		40086468		POWER CABLE 1P PLUG ASSY	FOR USE IN JAPAN(1-PHASE)					1	
31		M90345800A0		GROUND CORD ASM.	FOR USE IN JAPAN(1-PHASE)					1	
32		40096034		POWER CABLE 3P ASSY	FOR USE IN JAPAN,JA					1	
33		40096035		POWER CABLE 1P ASSY	FOR JE,GE- NERAL EXPORT					1	
34		40096051		PANEL CABLE L ASM						1	
35		SK3413201SE		WOOD SCREW D=4.1 L=32						2	
36		40035024		OPERATION_BOX_FIXED_PLATE(B) ASM						1	

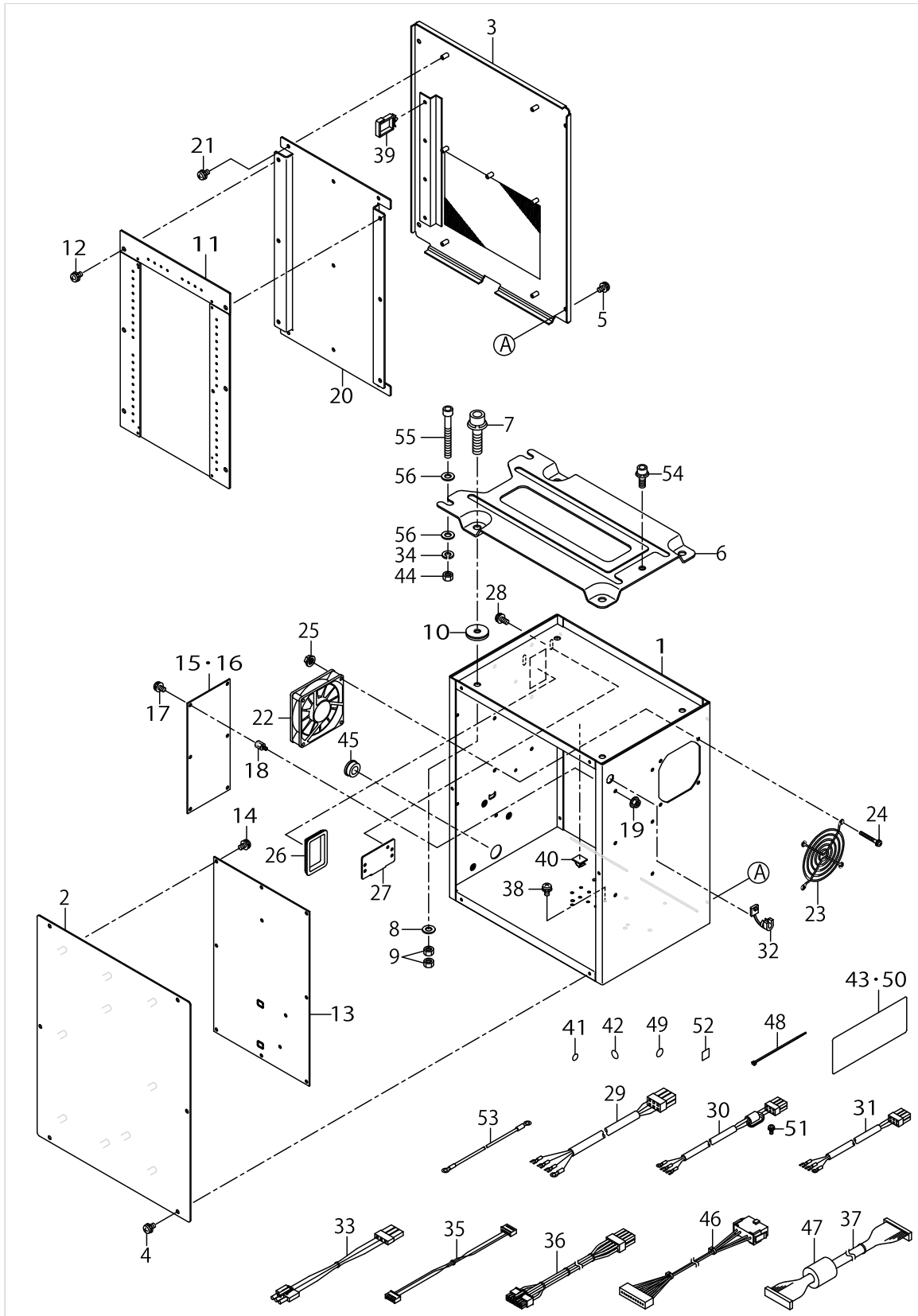
# CONTROL BOX COMPONENTS



CONTROL BOX COMPONENTS

No.	Supply Code	Parts No.	Replacement	Parts name	Remarks	Choice	Step	Level	Cons	Qty	Rep. QTY
1		40055355		CONTROL BOX						1	
2		40094018		CONTROL BOX FRONT COVER						1	
3		40094019		CONTROL BOX REAR COVER						1	
4		SL4040891SC		SCREW M4 L=8						6	
5		SL4040891SC		SCREW M4 L=8						4	
6		M3801476000		CONTROL BOX FITTING PLATE						1	
7		SL6083092TN		SCREW						4	
8		WP0841601SC		WASHER 8.4X17.4X1.6						4	
9		NM6080001SC		NUT M8X1.25						8	
10		M4206461000		WASHER						4	
11		40182431		MAIN PCB C ASSY						1	
12		SL4040891SC		SCREW M4 L=8						6	
13		40082758		SDC PCB A ASSY						1	
14		SL4040881SC		SCREW M4 L=8						10	
15		40000056		FLT-T PCB A ASS'Y	FOR USE IN JAPAN (1-- PHASE 10-0V,1-PHASE 200V), JUS(3-PHASE 200V)					1	
16		40162838		FLT-CE PCB A ASSY	FOR CE, G-ENERAL EXPORT					1	
17		SL4040881SC		SCREW M4 L=8						6	
18		HX003390000		STUD						6	
19		NM3040520SC		NUT M4						6	
20		40005706		MAIN PCB HOLDER PLATE						1	
21		SL4040881SC		SCREW M4 L=8						5	
22		40005401		FAN MOTOR ASS'Y						1	
23		KM000000480		FAN MOTOR						1	
24		SL4043591SC		SCREW						4	
25		NM3040520SC		NUT M4						4	
26		HX004070000		BUSH						1	
27		17845009		CORD FITTING PLATE						1	
28		SL4041091SC		SCREW M4 L=10						2	
29		40096030		POWER CORD 3P ASSY	FOR USE IN JAPAN (1-- PHASE 10-0V,1-PHASE 200V), JUS(3-PHASE 200V)					1	
30		40096031		POWER CORD JE ASSY	FOR CE					1	
31	R	40096032	40123193	POWER CORD 1P ASSY	GENERAL EXPORT					1	1.00
32		HX00410000A		STRAIN RELIEF BUSHING						1	
33		40005393		FLT-SDC CORD P ASS'Y						1	
34		WS0820002KN		SPRING WASHER M8						2	
35		40005394		FLT-SDC CORD S ASS'Y						1	
36		40005726		SDC-MAIN CORD P ASSY						1	
37		40005727		SDC-MAIN CORD S ASSY						1	
38		SL4040891SC		SCREW M4 L=8						4	
39		HX005110000		WIRE SADDLE						3	

# CONTROL BOX COMPONENTS

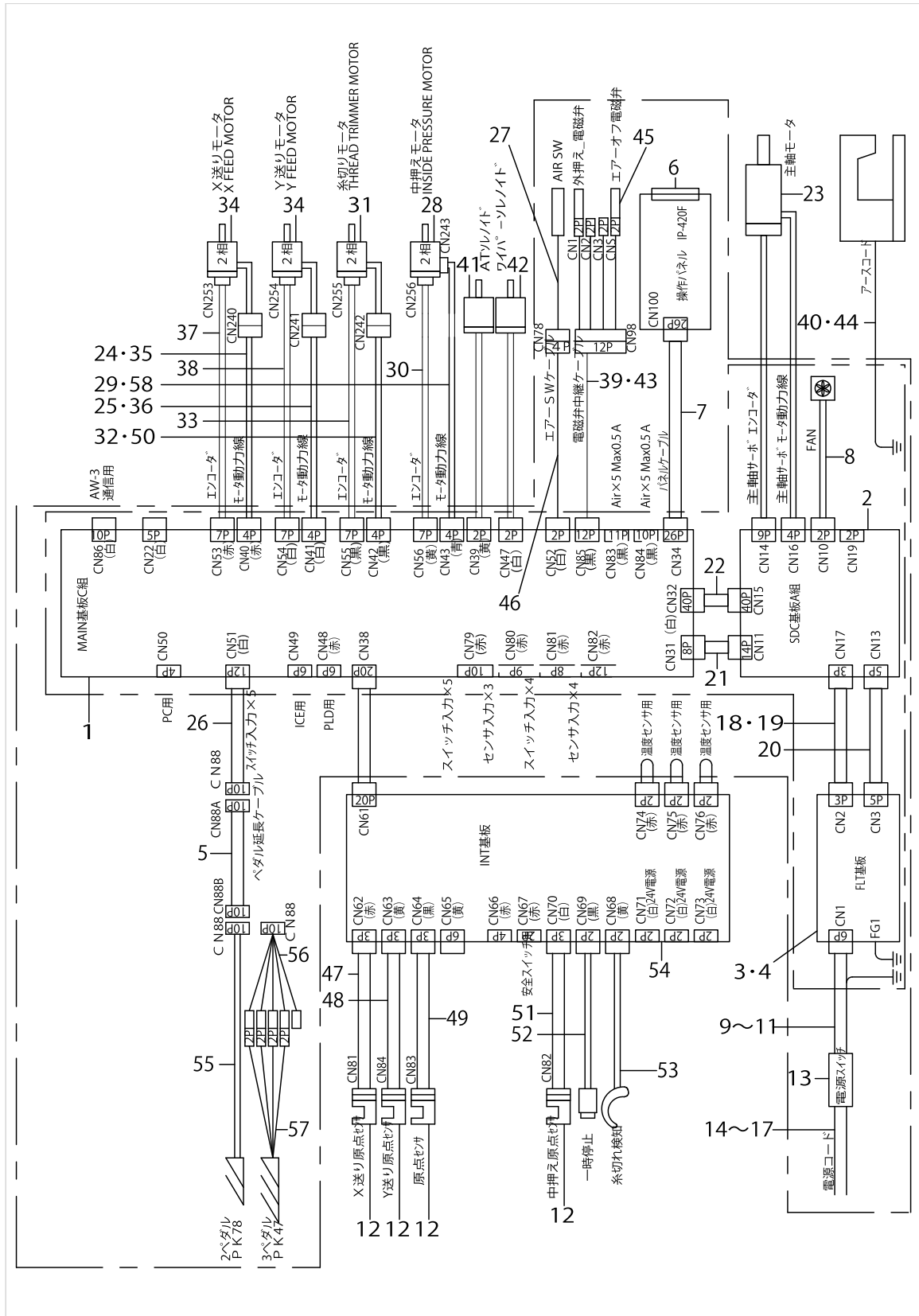


CONTROL BOX COMPONENTS

No.	Supply Code	Parts No.	Replacement	Parts name	Remarks	Choice	Step	Level	Cons	Qty	Rep. QTY
40		E9607603000		STICKER (SMALL)						1	
41		E9567319000		EARTH MARK						1	
42		40003458		MASK SEAL						16	
43		40051640		ELECTRICAL_RATING_LABEL_UNIVERSAL	FOR USE IN JAPAN (1-PHASE 10-0V, 1-PHASE 200V), JUS(3-PHASE 200V), GENERAL EXPORT					1	
44		NM6080001SC		NUT M8X1.25						2	
45		HX00326000K		GROMMET						1	
46		40073659		SWRELAYCORDASM.						1	
47		HN001490000		CLAMP FILTER(L)						1	
48		EA9500B0100		CABLE BAND						1	
49		CM200100001		PE MARK LABEL	FOR CE					1	
50	D	40057278		ELECTRICAL_RATING_LABEL_CE_UNIVERSAL	FOR CE					1	
51		SL4041081SC		SCREW M4 L=10	FOR CE					1	
52		CM600100101		WEEE MARK LABEL S	FOR CE					1	
53		M90295800A0		FDD EARTH CORD ASM.						1	
54		SL6082092TN		BOLT						1	
55		SM6087002TN		SCREW M8 L=70						2	
56		WP0841601SC		WASHER 8.4X17.4X1.6						4	



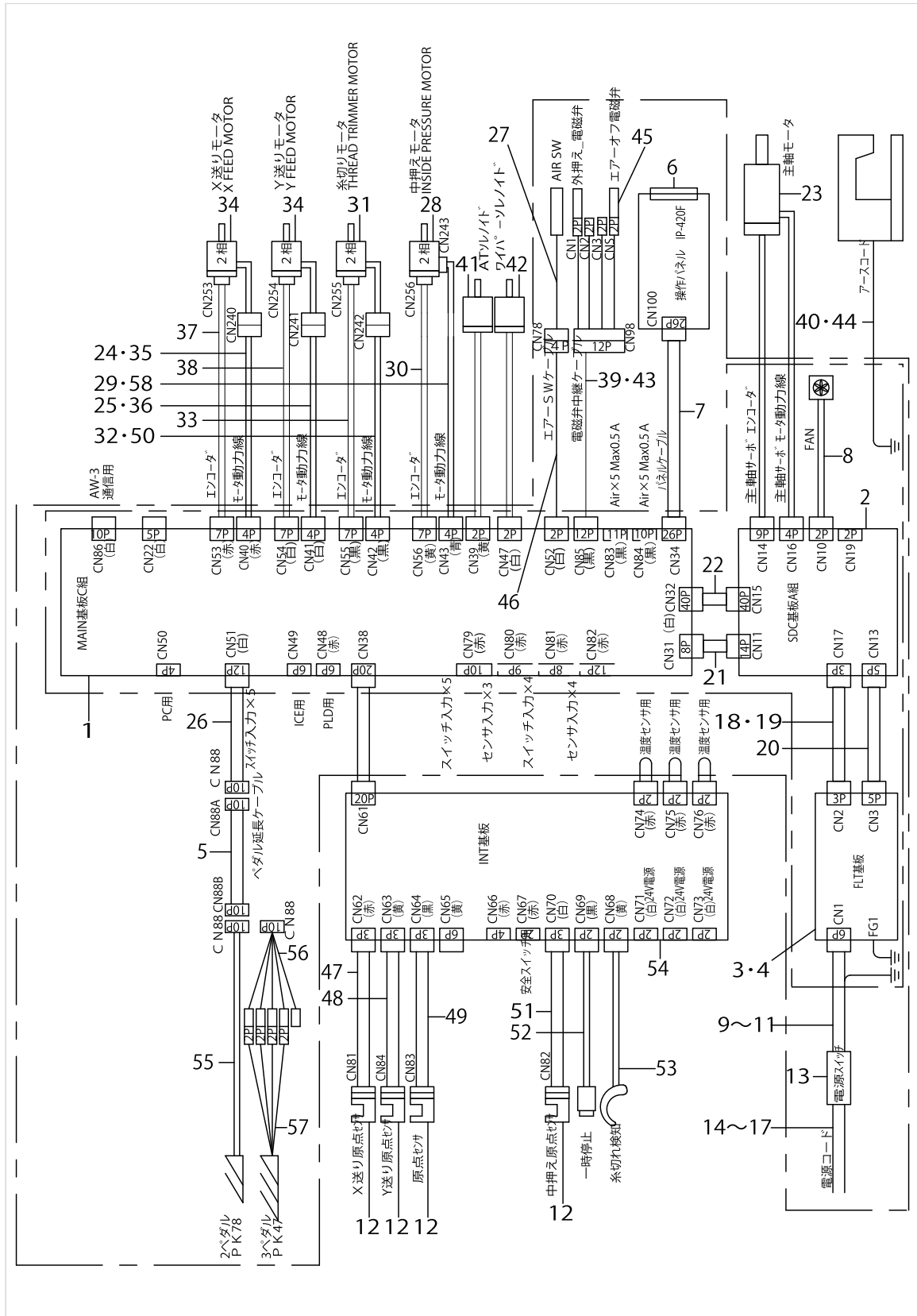
WIRING DIAGRAM



WIRING DIAGRAM

No.	Supply Code	Parts No.	Replacement	Parts name	Remarks	Choice	Step	Level	Cons	Qty	Rep. QTY
1		40182431		MAIN PCB C ASSY						1	
2		40082758		SDC PCB A ASSY						1	
3		40000056		FLT-T PCB A ASS'Y	FOR 1-PH-ASE/3-PHASE					1	
4		40162838		FLT-CE PCB A ASSY	FOR CE,G-ENERAL EXPORT					1	
5		40111079		PEDAL EXTENSION CABLE ASM.						1	
6		40086485		IP-420F PANEL ASSY						1	
7		40096051		PANEL CABLE L ASM						1	
8		40005401		FAN MOTOR ASS'Y						1	
9		40096030		POWER CORD 3P ASSY	FOR 3-PHASE					1	
10		40096031		POWER CORD JE ASSY	FOR CE					1	
11	R	40096032	40123193	POWER CORD 1P ASSY	FOR 1-PHASE					1	1.00
12		HD00057000A		PHOTO SENSOR						4	
13		HA005820000		SWITCH						1	
14		40086468		POWER CABLE 1P PLUG ASSY	FOR USE IN JAPAN (1--PHASE 100V)					1	
15		40096034		POWER CABLE 3P ASSY	FOR 3-PH-ASE(200V/220V)					1	
16		40096035		POWER CABLE 1P ASSY	FOR CE					1	
17		40096050		POWER CABLE 1P ASSY	FOR 1-PH-ASE(GENE-RAL EXPORT)					1	
18		40005393		FLT-SDC CORD P ASS'Y						1	
19		40163025		REACTOR CORD ASSY	FOR CE					1	
20		40005394		FLT-SDC CORD S ASS'Y						1	
21		40005726		SDC-MAIN CORD P ASSY						1	
22		40005727		SDC-MAIN CORD S ASSY						1	
23		40052937		550W_SERVO_MOTOR						1	
24		40163253		X MOTOR CABLE ASM	FOR CE					1	
25		40163254		Y MOTOR CABLE ASM	FOR CE					1	
26		40073659		SW RELAY CORD ASM						1	
27		B47152150A0		FILTER REGULATOR ASM.						1	
28		40071942		STEPPING MOTOR						1	
29		40073623		IP MOTOR CABLE ASM						1	
30		40073640		IP ENCODER CABLE ASM						1	
31		40071944		STEPPING MOTOR						1	
32		40073622		TT MOTOR CABLE ASM						1	
33		40073639		TT ENCODER CABLE ASM						1	
34		40071945		STEPPING MOTOR						2	
35		40073620		X MOTOR CABLE ASM						1	
36		40073621		Y MOTOR CABLE ASM						1	
37		40073632		X ENCODER CABLE ASM						1	
38		40073638		Y ENCODER CABLE ASM						1	
39		40163258		AIR RELAY CABLE ASM.	FOR CE					1	
40		40163063		EARTH CODE ASM	FOR CE					1	
41		40073660		AT SOLENOID						1	
42		40072151		WIPER ASM						1	
43		40108280		AIR RELAY CABLE ASM						1	

WIRING DIAGRAM



WIRING DIAGRAM

No.	Supply Code	Parts No.	Replacement	Parts name	Remarks	Choice	Step	Level	Cons	Qty	Rep. QTY
44		14115554		HEAD GROUND CABLE A ASM.						1	
45		40048529		VALVE RERAY CORD ASM						1	
46		40075391		AIR SW CABLE ASM						1	
47		40073671		X SENSOR CABLE ASM						1	
48		40073672		Y SENSOR CABLE ASM						1	
49		40040238		PF_SENSOR_CABLE_ASM						1	
50		40163255		TT MOTOR CABLE ASM	FOR CE					1	
51		40073675		IP_SENSOR_CABLE_ASM.						1	
52		40073676		STOP SW ASM						1	
53		40073678		THB SENSOR CABLE ASM						1	
54		40040230		INT PCB ASM						1	
55		40033831		PK78 PEDAL SWITCH ASM						1	
56		40033875		PK47 RELAY CABLE ASM	OPTIONAL PARTS					1	
57		GPK470010AB		3-PEDAL ASM.	OPTIONAL PARTS					1	
58		40163256		IPMOTORCABLEASM	FOR CE					1	

TABLE COMPONENTS

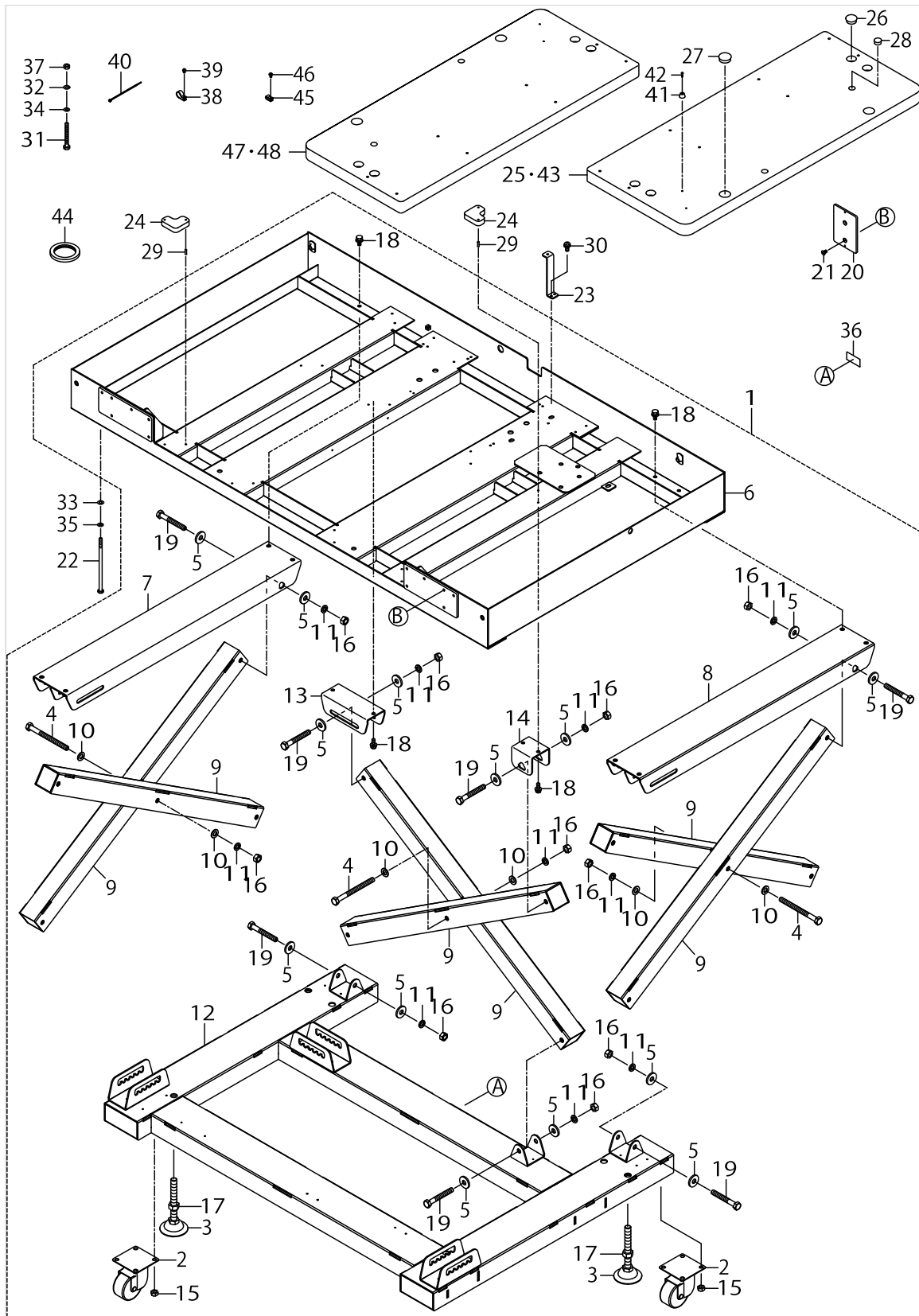


TABLE COMPONENTS

No.	Supply Code	Parts No.	Replacement	Parts name	Remarks	Choice	Step	Level	Cons	Qty	Rep. QTY
1		40182660		STAND ASM						1	
2		40072077		CASTER				*		4	
3		40072087		ADJUSTER				*		4	
4		40072206		BOLT				*		3	
5		40072223		WASHER LARGE				*		24	
6		40073222		UPPER_STAND				*		1	
7		40073224		TOP_BASE_L				*		1	
8		40073225		TOP_BASE_R				*		1	
9		40073226		CROSS_LEG				*		6	
10		WP1302501SC		WASHER 13X24X2.5				*		6	
11	R	WS1220002KN	WS1220002KP	SPRING WASHER				*		15	1.00
12		40073227		BASE				*		1	
13		40073230		BRACKET_BT				*		1	
14		40073231		BRACKET_B				*		1	
15	R	NM6100001SE	NM6100001SC	NUT FOR SPRING A-DJUSTING BOLT				*		16	1.00
16		NM6120001SE		NUT M12				*		15	
17		NM6160001SC		NUT				*		4	
18		SL9082093SE		SCREW				*		12	
19		SM9129013SB		SCREW M12 L=90				*		12	
20		40073216		SW_BASE_JE						1	
21		SM1061201SN		SCREW M6 L=12						2	
22		B8117223C00		BOLT						4	
23		B8118223C00		COVER INSTALLING STAY						4	
24		B8171223C00		RUBBER ABSORBER						8	
25		40136163		TABLE_ASM						1	
26		HX00326000B		BUSH						4	
27		HX00326000M		DOME PLUG						3	
28		HX00326000G		PLUG						3	
29		PS0400141KH		SPRING PIN 4X14						16	
30		SL4041091SC		SCREW M4 L=10						8	
31		SM9087533SC		SCREW M8 L=75						2	
32		WP0841601SC		WASHER 8.4X17.4X1.6						2	
33		WP0841601SC		WASHER 8.4X17.4X1.6						4	
34		WS0820002KN		SPRING WASHER M8						2	
35		WS0820002KN		SPRING WASHER M8						4	
36		16870206		GRAVITY SEAL						2	
37		NM6080001SC		NUT M8X1.25						2	
38		HX00150000H		CABLE CLIP						3	
39		SL4040891SC		SCREW M4 L=8						3	
40		EA9500B0100		CABLE BAND						2	
41		40072231		STOPPER_RUBBER						2	
42		SK3271301SE		WOOD SCREW D=2.7 L=13						2	
43		40089584		TABLE ASM.	FOR CA					1	
44		40090431		RUBBER						4	
45		HX00150000B		CABLE CLIP						1	
46		SL4041091SC		SCREW M4 L=10						1	

TABLE COMPONENTS

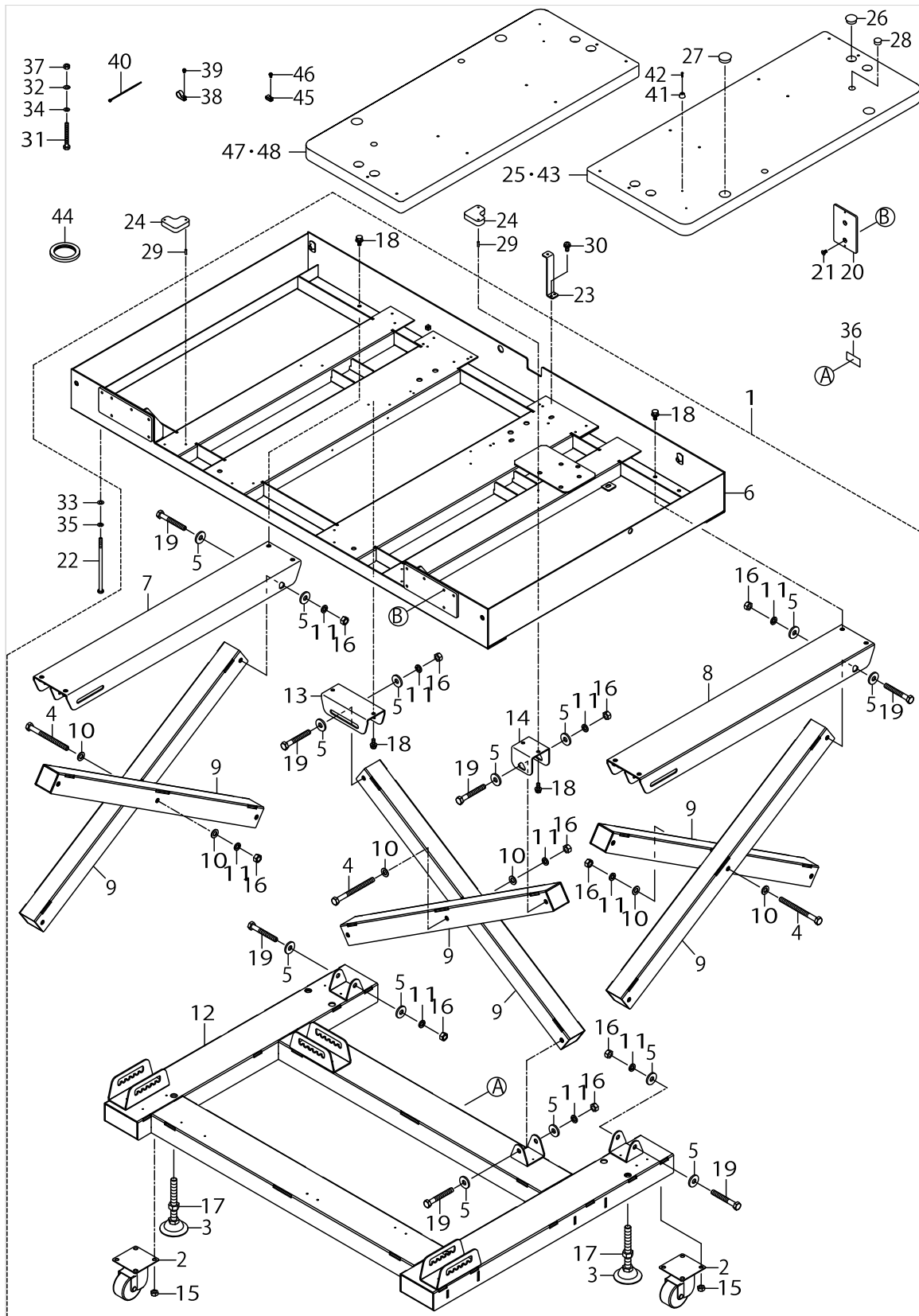
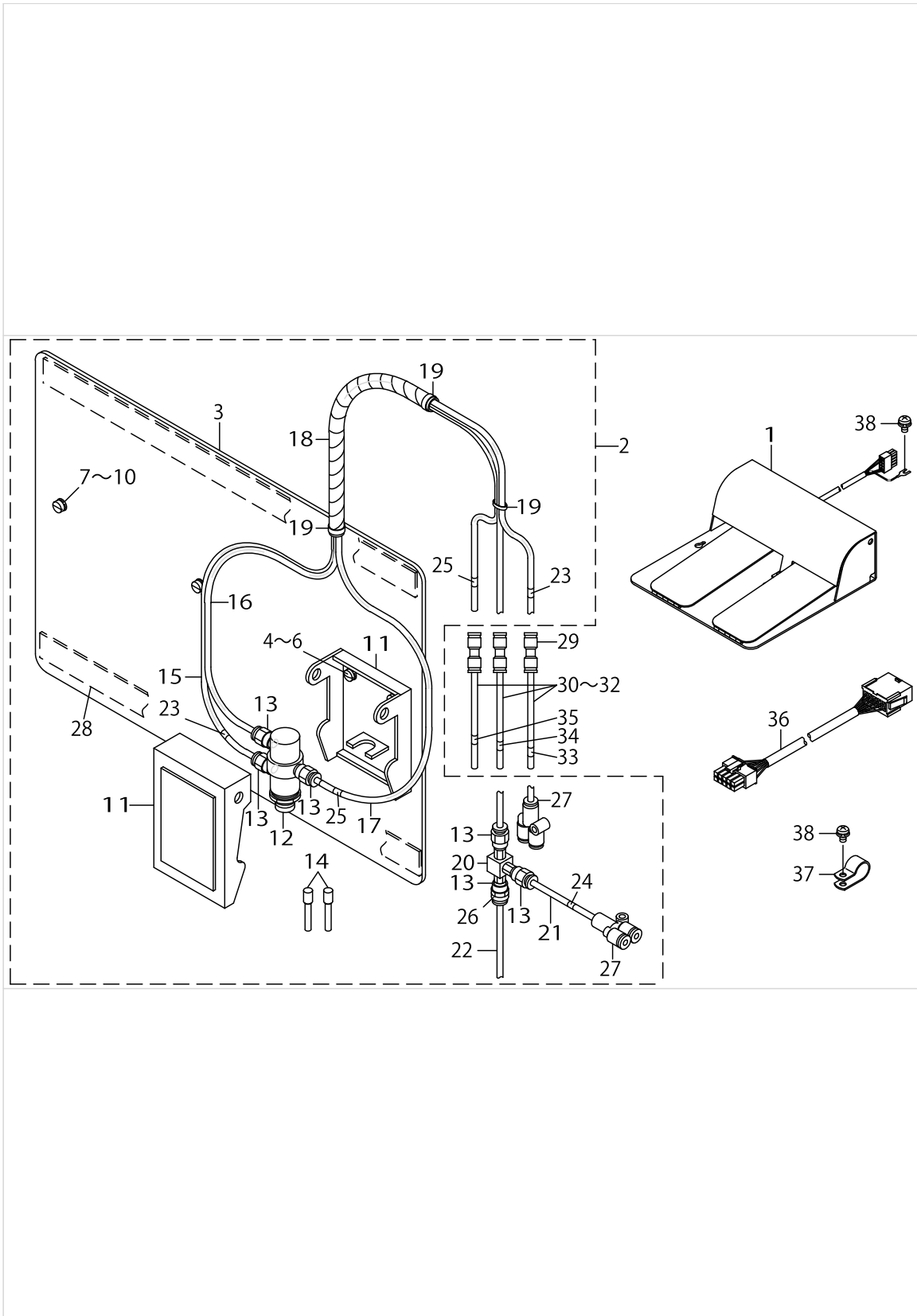


TABLE COMPONENTS

No.	Supply Code	Parts No.	Replacement	Parts name	Remarks	Choice	Step	Level	Cons	Qty	Rep. QTY
47		40182651		TABLE_ASM						1	
48		40182695		TABLE_ASM_CA	FOR CA					1	



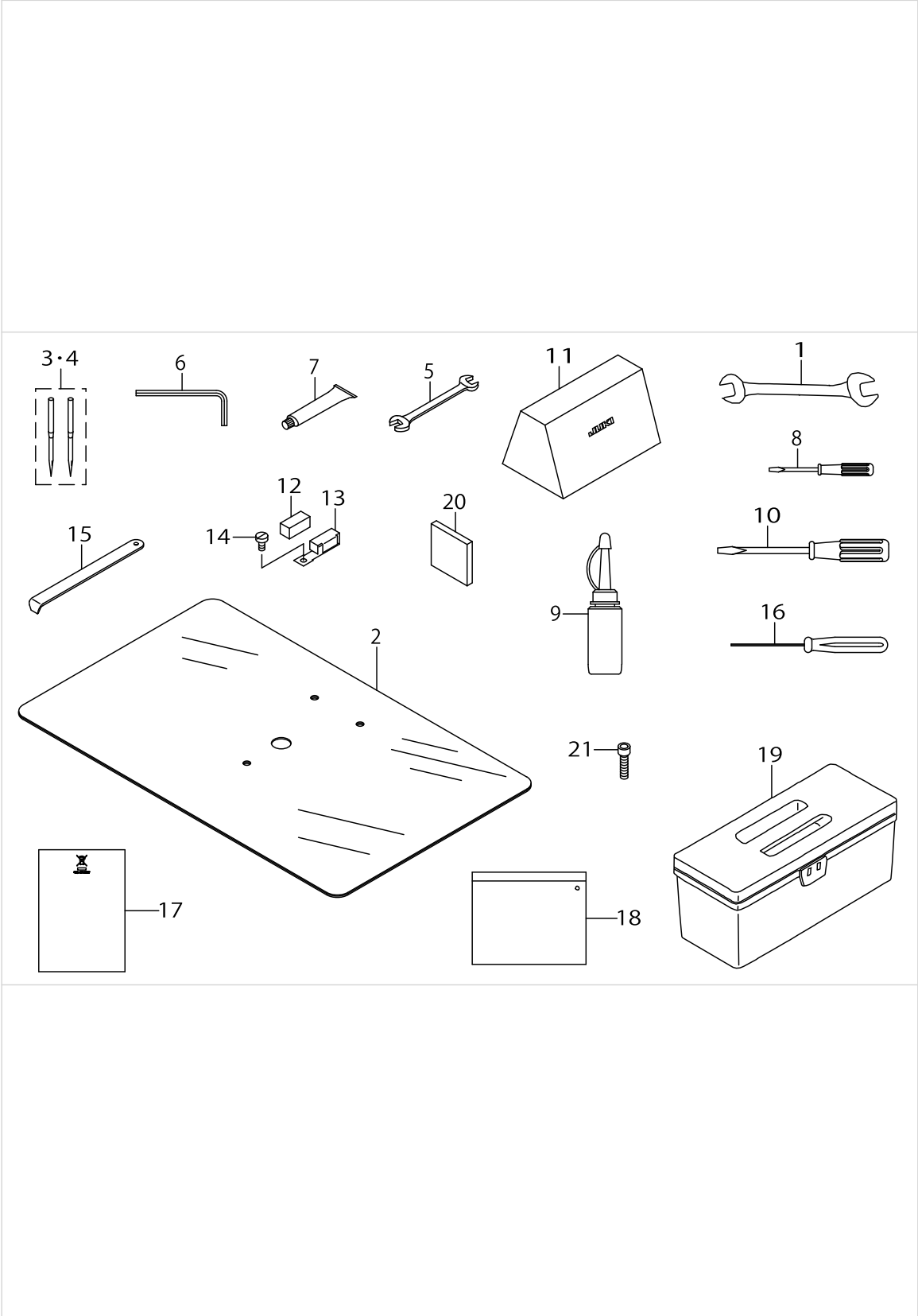
PEDAL COMPONENTS



PEDAL COMPONENTS

No.	Supply Code	Parts No.	Replacement	Parts name	Remarks	Choice	Step	Level	Cons	Qty	Rep. QTY
1		40033831		PK78 PEDAL SWITCH ASM.						1	
2		40042352		MECHANICAL VALVE UNIT						1	
3		D8001D15A0Y		PEDAL BASE				*		1	
4		WP0450801SD		WASHER 4.5X10X0.8				*		2	
5		WS0451040KP		SPRING WASHER 4.5X8.5X1				*		2	
6		SS7111120TP		SCREW				*		2	
7		SS6111210SP		SCREW 11/64-40L=12				*		2	
8		WP0450801SD		WASHER 4.5X10X0.8				*		2	
9		WS0451040KP		SPRING WASHER 4.5X8.5X1				*		2	
10		WP0553216SD		WASHER				*		2	
11		PX020002000		ACTUATOR				*		1	
12		PV010502000		AIR VALVE				*		1	
13		PJ301040501		HALF UNION M5 D=4				*		6	
14		PX500014000		PLUG				*		2	
15		BT0400251EB		URETHANE HOSE BLACK				*		1.9	
16		BT0400251EB		URETHANE HOSE BLACK				*		1.8	
17		BT0400251EB		URETHANE HOSE BLACK				*		1.9	
18		HX00314000A		SPIRAL TUBE				*		0.6	
19		EA9500B0100		CABLE BAND				*		3	
20		GEP01013000		VALVE				*		1	
21		BT0400251EB		URETHANE HOSE BLACK				*		0.1	
22		BT0400251EB		URETHANE HOSE BLACK				*		0.1	
23		18035204		WIRE MARK (3)				*		2	
24		18035303		WIRE MARK (4)				*		1	
25		18035600		WIRE MARK (7)				*		2	
26		18035709		WIRE MARK (8)				*		1	
27		PJ308040002		QUICK COUPLING				*		2	
28		D8002D15A0Y		PEDAL CUSHION				*		2	
29		PJ303040002		STRAIGHT UNION						3	
30		BT0400251EB		URETHANE HOSE BLACK						1.6	
31		BT0400251EB		URETHANE HOSE BLACK						1.6	
32		BT0400251EB		URETHANE HOSE BLACK						1.6	
33		18035204		WIRE MARK (3)						1	
34		18035709		WIRE MARK (8)						1	
35		18035600		WIRE MARK (7)						1	
36		40111079		PEDAL EXTENSION CABLE ASM.						1	
37		HX00150000E		CORD PRESSER 3-- POLE (220/240V)						1	
38		SL4040891SC		SCREW M4 L=8						2	

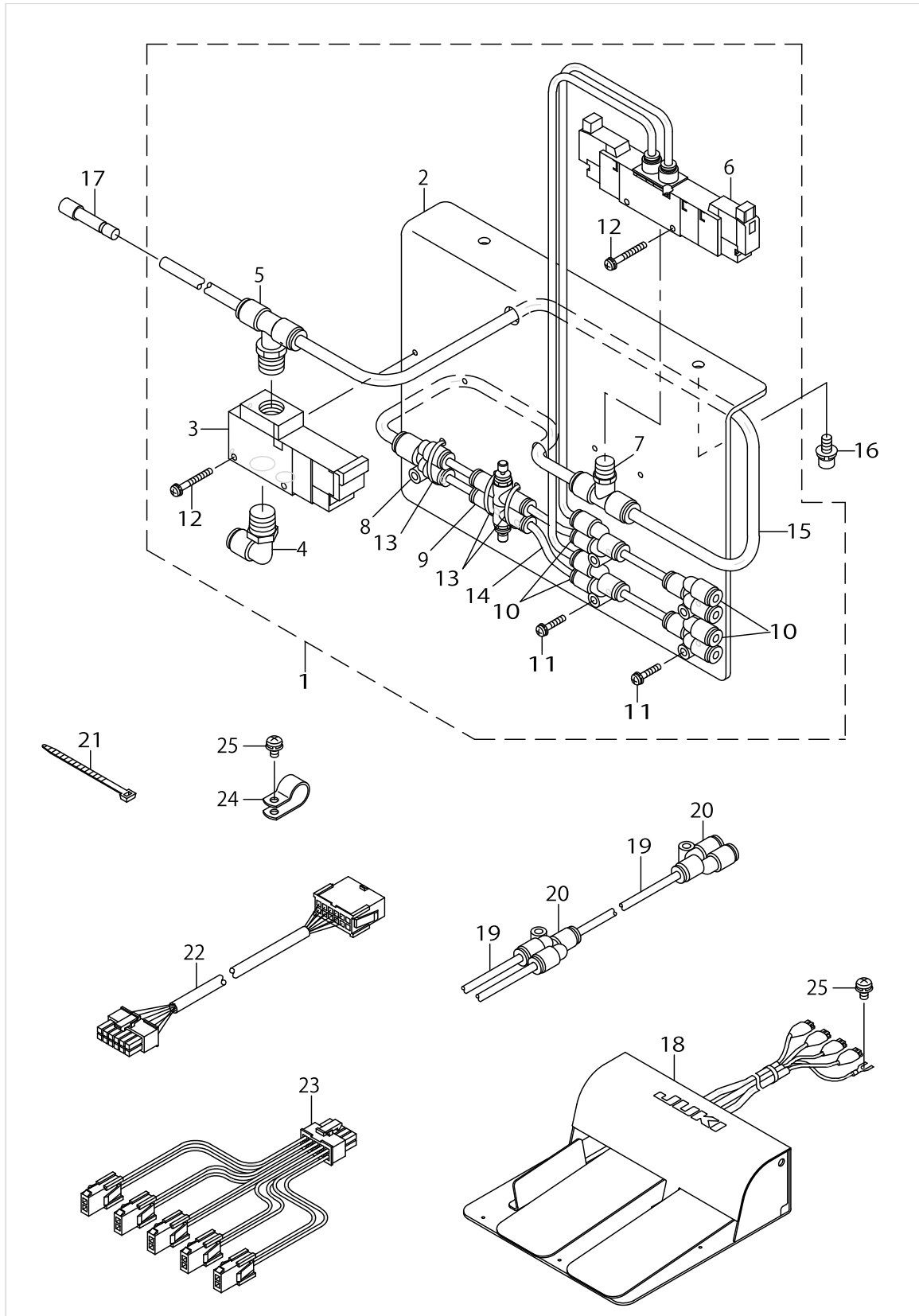
ACCESSORIE PARTS COMPONENTS



ACCESSORIE PARTS COMPONENTS

No.	Supply Code	Parts No.	Replacement	Parts name	Remarks	Choice	Step	Level	Cons	Qty	Rep. QTY
1		D9103555D00		WRENCH 6X7						1	
2		40072082		COVER SHEET(4530)	FOR ST					1	
3		MDP170B2302		NEEDLE DPX17#23-2	FOR ST				☆	1	
4	R	MC372001602	MC372001600	NEEDLE SY3355 #160-2	FOR JE				☆	1	1.00
5		B9113012000		WRENCH (9X10)						1	
6		B9140372000		HEXAGONAL WRENCH SMALL						1	
7		40006323		JUKI GREASE A TUBE						1	
8		22933204		SCREW DRIVER SMALL						1	
9		B91212200A0		OILER (CONTAINING NO.2 OIL)						1	
10		22933105		SCREW DRIVER MIDDLE						1	
11		40072154		COVER						1	
12		B1131528000		FELT						1	
13		10102200		THREAD GUIDE F						1	
14		SM6040860TP		SCREW M4 L=8						1	
15		B9101490000		DRIVER						1	
16		40032763		HEXAGONAL_DRIVER(1.5)						1	
17		CM600100201		WEEE INFORMATION SHEET	FOR JE					1	
18		22932800		ACCESSORIE BAG						1	
19		B8601WP10A0		TOOL BOX ASM.						1	
20		40050647		COMPACTFLASH(T-M) SET AMS-221E						1	
21		SM6052002TP		SCREW M5 L=20						1	

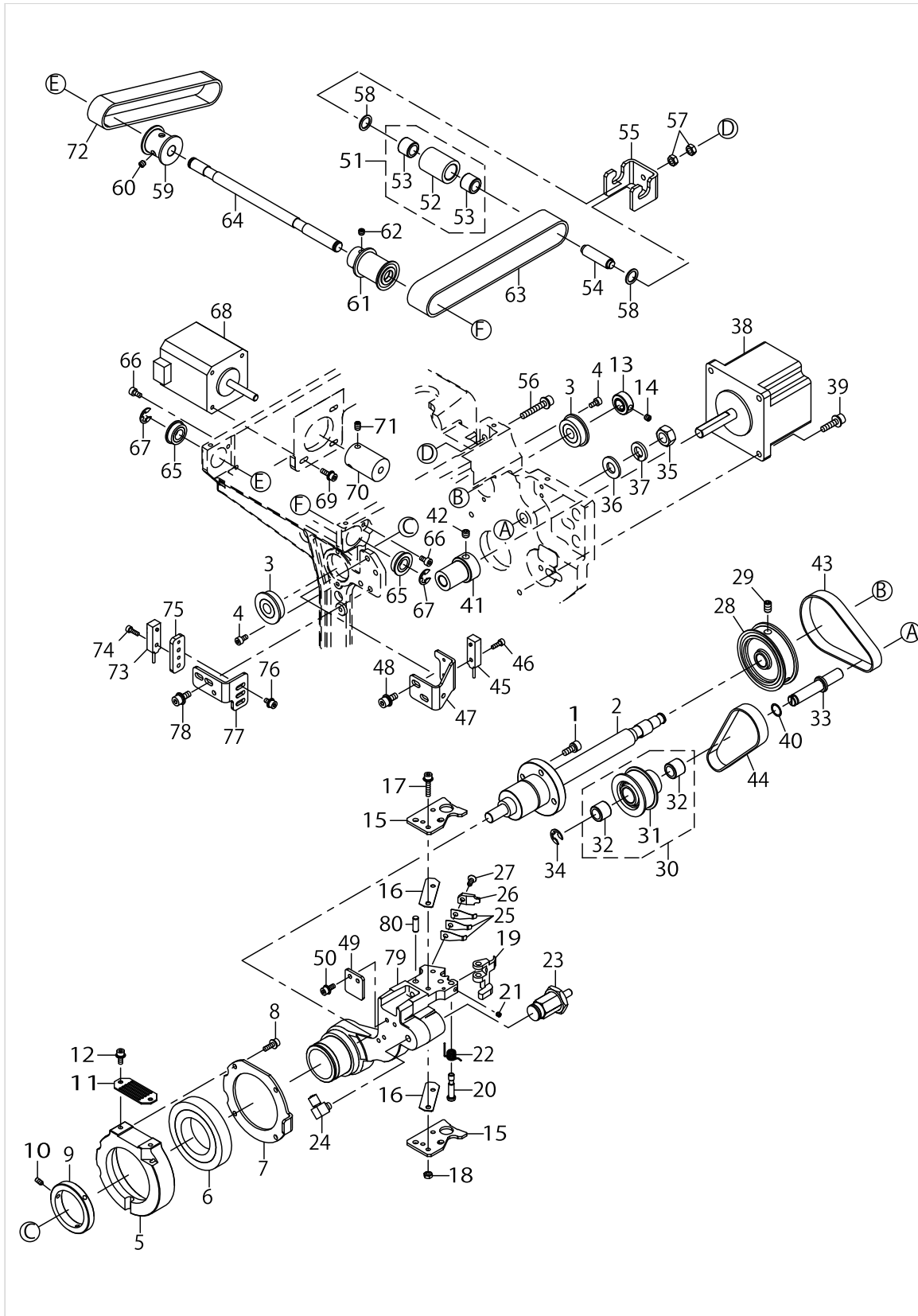
SEPARATE STROKE TYPE EXCLUSIVE PARTS



SEPARATE STROKE TYPE EXCLUSIVE PARTS

No.	Supply Code	Parts No.	Replacement	Parts name	Remarks	Choice	Step	Level	Cons	Qty	Rep. QTY
1		40076736		SOLENOID_INSTALLING_PLATE_A_ASM.						1	
2	R	40076738	40105703	SOLENOID_INSTALLING_PLATE				*		1	1.00
3		PV135207000		3-PORT ELECTROMAGNETIC VALVE				*		1	
4		PJ304065201		ELBOW UNION 6XPT1/4				*		1	
5		PJ305065204		DOUBLE-ENDED T UNION				*		1	
6		PV155113000		5-PORT SOLENOID VALVE				*		1	
7		PJ305065107		DOUBLE-ENDED T UNION				*		1	
8		PJ308060005		DIFFERENT DIAMETER UNION Y				*		1	
9		PC012406000		SPEED CONTROLLER				*		2	
10		PJ308040002		QUICK COUPLING				*		4	
11		SL4031691SC		SCREW M3 L=16				*		4	
12		SL4032591SC		SCREW M3X25				*		4	
13		EA9500B0100		CABLE BAND				*		3	
14		BT0400251EB		URETHANE HOSE BLACK				*		0.6	
15		BT0600401EB		TUBE				*		1.1	
16		SL6051292TN		BOLT						2	
17		PX950001000		PLUG						1	
18		GPK470010AB		3-PEDAL ASM.						1	
19		BT0400251EB		URETHANE HOSE BLACK						1.7	
20		PJ308040002		QUICK COUPLING						4	
21		EA9500B0100		CABLE BAND						3	
22		40074127		AIR EXTENSION CODE ASM.						1	
23		40033875		PK47 RELAY CABLE ASM						1	
24		HX00150000E		CORD PRESSER 3-POLE (220/240V)						1	
25		SL4040891SC		SCREW M4 L=8						2	

# CONVEY UNIT COMPONENTS

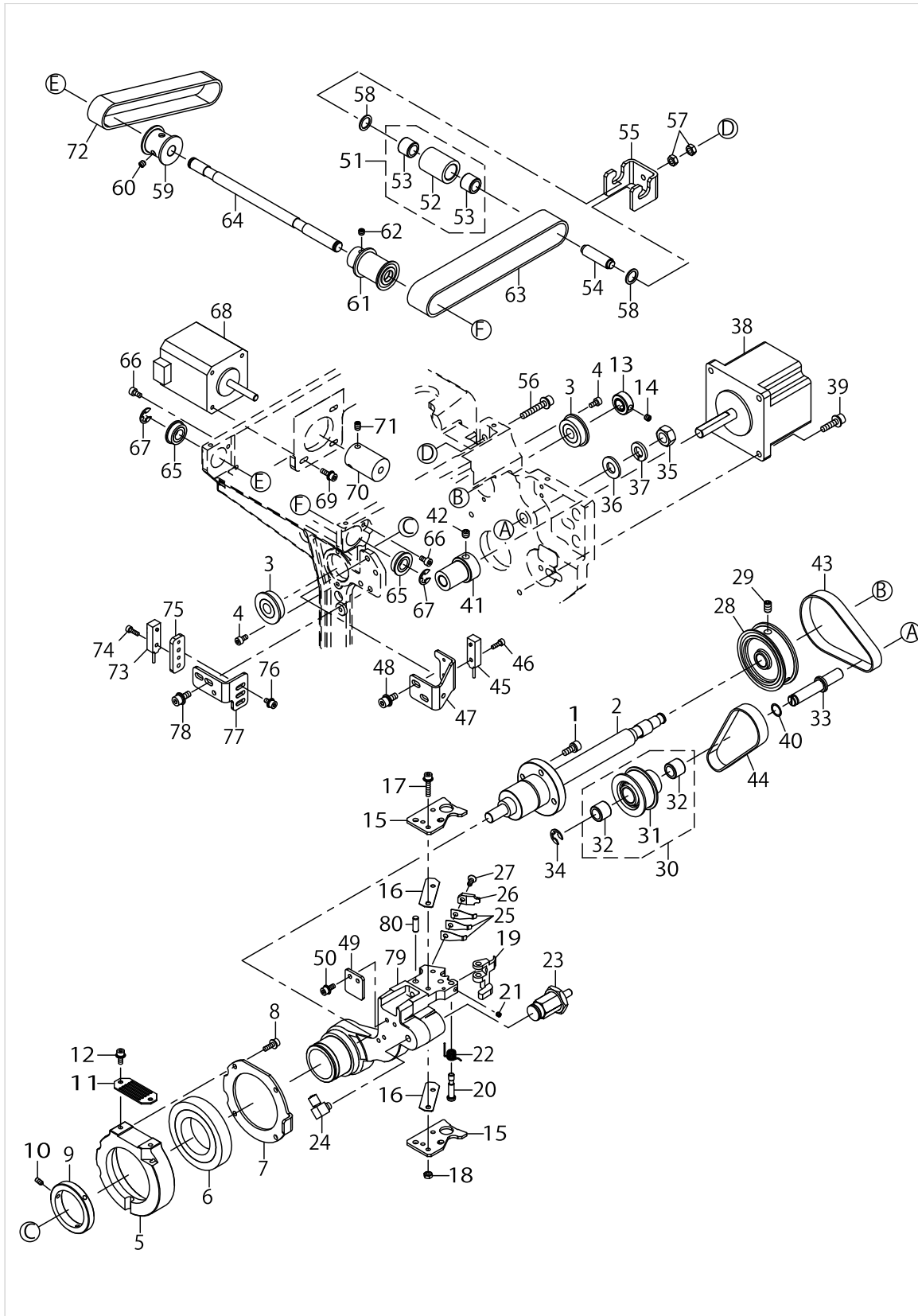


CONVEY UNIT COMPONENTS

No.	Supply Code	Parts No.	Replacement	Parts name	Remarks	Choice	Step	Level	Cons	Qty	Rep. QTY
1		SL6041042TN		SCREW M4 L=10						4	
2		40182607		CONVEY_SHAFT						1	
3		SB108000500		BEARING						2	
4		SM6030602TN		SCREW M3X6						4	
5		40182608		CONVEY_RING						1	
6		SB230000100		BEARING						1	
7		40182609		CONVEY_RING_PLATE						1	
8		SL6031092TN		SCREW M3 L=10						4	
9		GAW02105000		CONVEY RING COLLAR						1	
10		SM8030602TP		SCREW M3X0.5 L=6						3	
11		GAW02106000		CONVEY BELT PLATE						1	
12		SL6030892TN		SCREW M3 L=8						2	
13		GAW02107000		CONVEY SHAFT COLLAR						1	
14		SM8040402TP		SCREW M4X0.7 L=4						2	
15		GAW02111000		CHUCK BASE PLATE 17						2	
16		40032693		CHUCK_BASE_SPACER						2	
17		SL6031692TN		SCREW M3 L=16						2	
18		NM6030002SC		NUT M3X0.5 TYPE2						2	
19		GAW02112000		CHUCK NEIL						1	
20		GAW02113000		CHUCK NEIL SHAFT						1	
21		SM8030302TP		SCREW M3X3						2	
22		GAW02114000		CHUCK NEIL SPRING						1	
23		PA1001026A0		PIN CYLINDER						1	
24		PJ046052503		HOSE ELBOW						1	
25		GAW02115000		CHUCK STOPPER						3	
26		GAW02116000		CHUCK STOPPER SUPPORT						1	
27		GAW02621000		SCREW M3X8						1	
28		GAW02121000		ROTATING PULLEY						1	
29		SM8050812TP		SCREW M5X8						2	
30		GAW021220A0		ROTATING IDLER PULLEY ASM.						1	
31		GAW02122000		ROTATING IDLER PULLEY					*	1	
32		GAT23303000		BEARING 8					*	2	
33	D	GAW02123000		ROTATING IDLER SHAFT						1	
34		RE0600000K0		E-RING 6						1	
35		NM6080002SC		NUT M8X1.25 TYPE2						1	
36		WP0841601SC		WASHER M8						1	
37		WS0820002KN		SPRING WASHER M8						1	
38		40180188		ROTATING MOTOR						1	
39		SL6041692TN		SCREW M4 L=16						4	
40		GAW01507000		SPACER						1	
41		40108754		PULLEY_B						1	
42		SM8050502TP		SCREW M5 L=5						2	
43		GAW02601000		TIMING BELT						1	
44		GAW02607000		TIMING BELT						1	
45		40180181		ROTATING SENSOR ASSY						1	
46		SM6850802TN		SCREW M2.5 L=8						1	



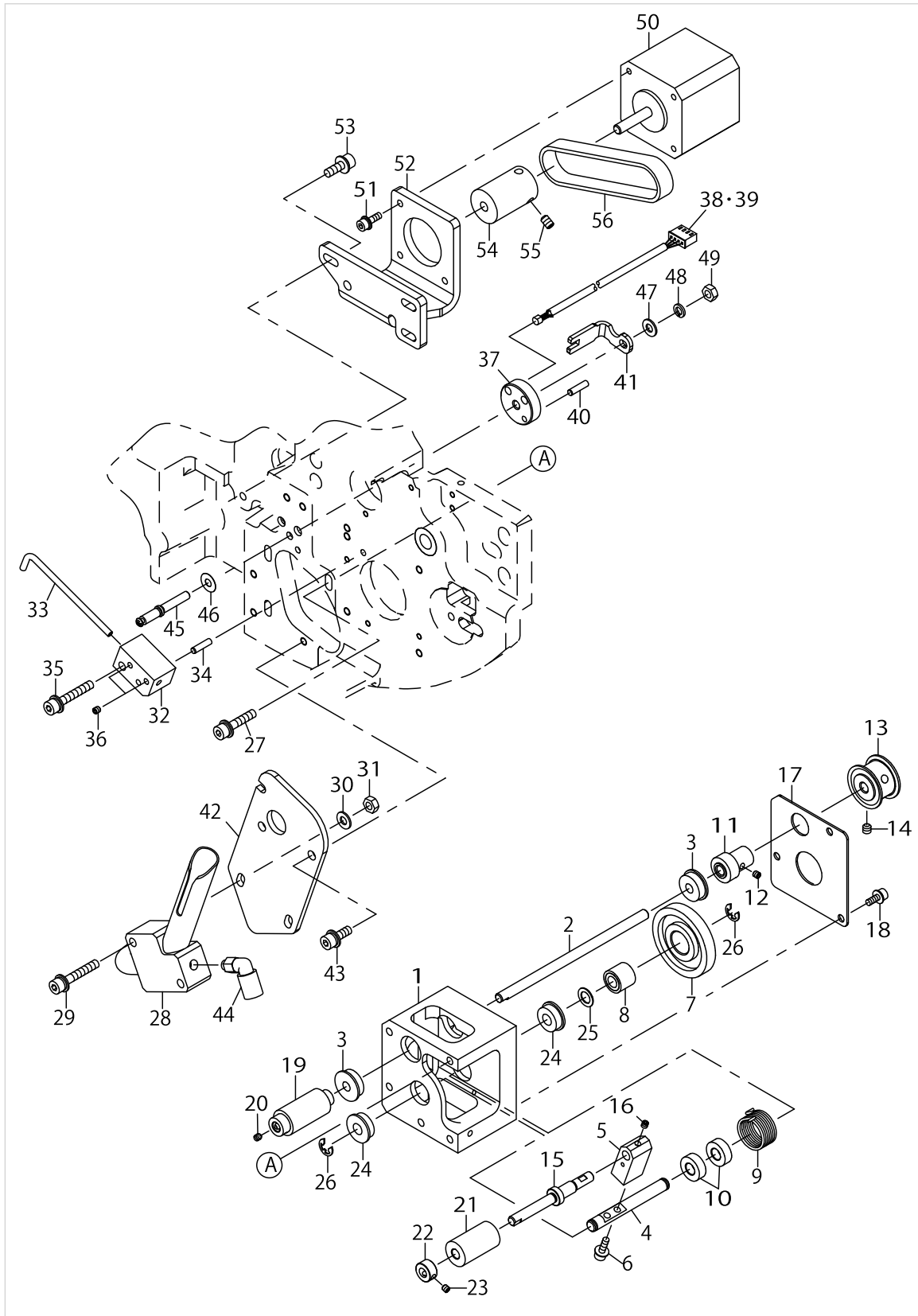
# CONVEY UNIT COMPONENTS



CONVEY UNIT COMPONENTS

No.	Supply Code	Parts No.	Replacement	Parts name	Remarks	Choice	Step	Level	Cons	Qty	Rep. QTY
47		40182610		ROTATING_SENSOR_PLATE						1	
48		SL6041092TN		SCREW M4 L=10						2	
49		40182611		SENSOR_DETECTION_PLATE						1	
50		SL6030892TN		SCREW M3 L=8						2	
51		GAW021310A0		HORIZONTAL FEED PULLEY ASM.						1	
52		GAW02131000		HORIZONTAL FEED PULLEY				*		1	
53		GAT23303000		BEARING 8				*		2	
54		GAW02132000		HORIZONTAL FEED PULLEY SHAFT						1	
55		GAW02133000		HORIZONTAL FEED PULLEY PLATE						1	
56		SL6042592TN		SCREW M4 L=25						1	
57		NM6040002SE		NUT M4X0.7 TYPE2						2	
58		GAW02139000		HORIZONTAL FEED SPACER						2	
59		GAW02134000		HORIZONTAL FEED IDLER PULLEY						1	
60		SM8040402TP		SCREW M4X0.7 L=4						2	
61		GAW02140000		HORIZONTAL FEED IDLER PULLEY F						1	
62		SM8040402TP		SCREW M4X0.7 L=4						2	
63		40182612		TIMING_BELT						1	
64		40182613		HORIZONTAL_FEED_IDLER_SHAFT						1	
65		SB108000200		BEARING						2	
66		SM6030602TN		SCREW M3X6						2	
67		RE0600000K0		E-RING 6						2	
68		GAW02852000		HORIZONTAL FEED MOTOR						1	
69		SL6031092TN		SCREW M3 L=10						3	
70		GAW02136000		HORIZONTAL FEED MOTOR PULLEY						1	
71		SM8040612TP		SCREW M4 L=6						2	
72		40182614		TIMING_BELT						1	
73		40180182		HORIZONTAL FEED SENSOR ASSY						1	
74		SM6850802TN		SCREW M2.5 L=8						1	
75		40182615		HORIZONTAL_FEED_SENSOR_BASE						1	
76		SL6030692TN		SCREW M3 L=6						2	
77		40182616		HORIZONTAL_FEED-SENSOR_PLATE						1	
78		SL6041092TN		SCREW M4 L=10						2	
79		40182606		CONVEY_ARM						1	
80		PH0400122C0		PARALLEL PIN TYPE B 4X12						2	

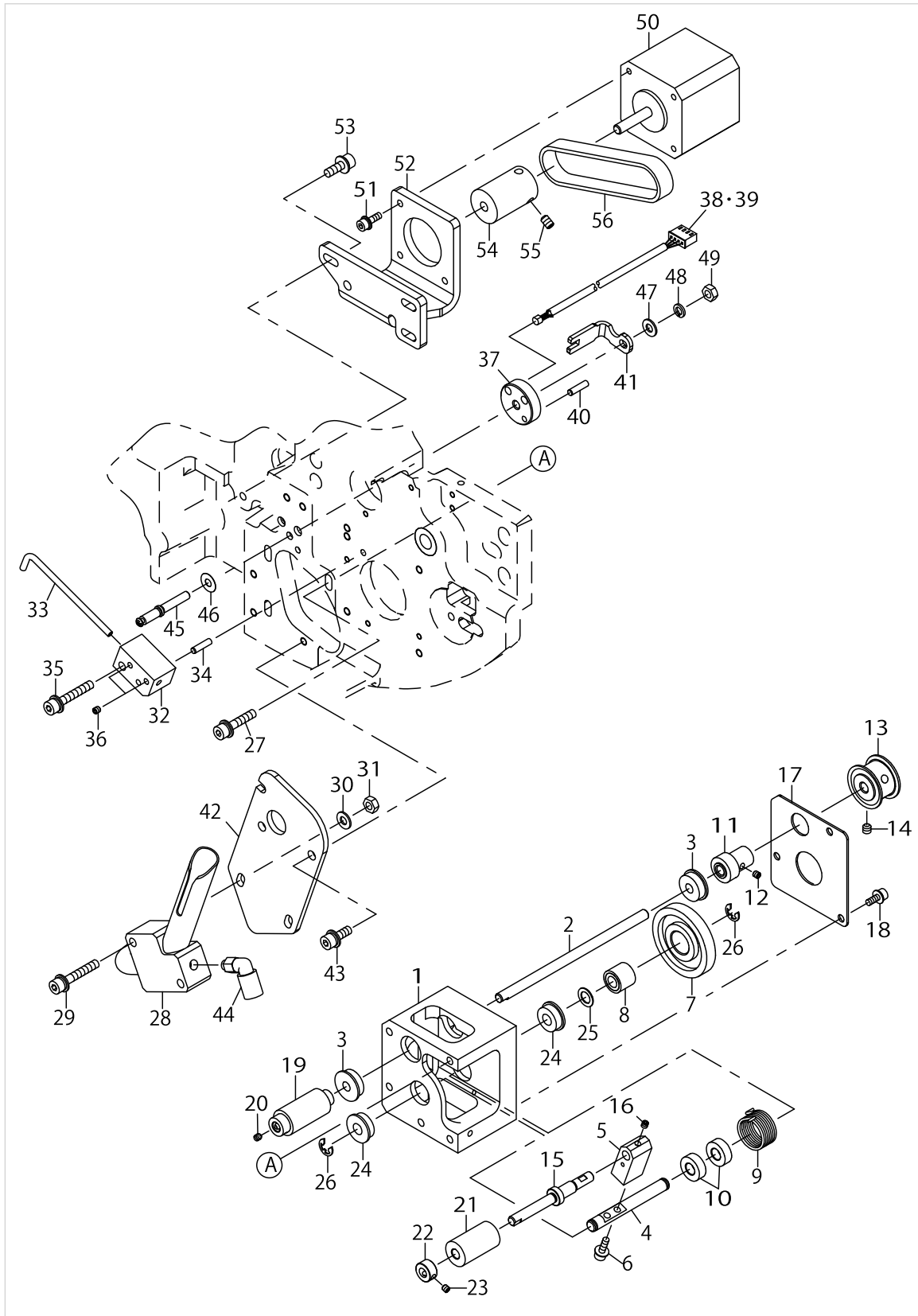
# UNWINDING UNIT COMPONENTS



UNWINDING UNIT COMPONENTS

No.	Supply Code	Parts No.	Replacement	Parts name	Remarks	Choice	Step	Level	Cons	Qty	Rep. QTY
1		40182618		THREAD_REMOVING_FRAME						1	
2		GAW02202A00		UNWINDING DRIVE SHAFT						1	
3		SB105001500		BEARING						2	
4		GAW02203000		ZA SHAFT M						1	
5		GAW02205000		ZA ARM						1	
6		SL6031092TN		SCREW M3 L=10						2	
7		GAW02208000		ZA ARM GEAR L						1	
8		SB306000300		BEARING						1	
9		GAW02211A00		UNWINDINGSRINGH						1	
10		26217505		ROLLER						2	
11		GAW02209000		ZA ARM GEAR S						1	
12		SM8030312TP		SCREW M3 L=3						2	
13		40182620		THREAD_REMOVING_PULLEY						1	
14		SM8040412TP		SCREW M4X4						2	
15		GAW02204A00		UNWINDING DRIVEN SHAFT						1	
16		SM8030312TP		SCREW M3 L=3						1	
17		40182621		THREAD_REMOVING_FRAME_COVER						1	
18		SL6030892TN		SCREW M3 L=8						3	
19		40032715		DRIVE_GEAR_A						1	
20		SM8030312TP		SCREW M3 L=3						2	
21		40032716		DRIVEN_GEAR_A						1	
22		GAW02213000		UNWINDING THRUST COLLAR						1	
23		SM8030312TP		SCREW M3 L=3						2	
24		SB106000900		BEARING						2	
25		26217604		WASHER						1	
26		RE0400000K0		E-RING 4						2	
27		SL6042092TN		SCREW M4 L=20						3	
28	D	GAW02221AA0		UNWINDING DIFFUSER ASM.						1	
29		SL6042592TN		SCREW M4 L=25						2	
30		WP0430801SC		WASHER M4						2	
31		NM6040001SC		NUT M4X0.7 TYPE1						2	
32		40182666		REMOVING_THREAD_PIPE HOLDER						1	
33		GAW02223000		ZA PIPE H						1	
34		PH0300125S0		PARALLEL PIN TYPE A 3X12						1	
35		SL6042592TN		SCREW M4 L=25						1	
36		SM8030312TP		SCREW M3 L=3						2	
37		40182623		ZA HOLDER						1	
38		GAW028650A0		UNWINDING SENSOR A ASM.						1	
39		GAW028660A0		UNWINDING SENSOR B ASM.						1	
40		PH0300125S0		PARALLEL PIN TYPE A 3X12						1	
41		40182624		UNWINDING HOLDER BRACKET_3						1	
42		GAW02231000		UNWINDING DIFFUSER PLATE						1	
43		SL6041292TN		SCREW M4 L=12						3	
44		PJ304060502		ELBOW UNION 6XM5						1	
45		40182602		DUMMY_SHAFT						1	
46		GAW02229000		ZA HOLDER SPACER						1	

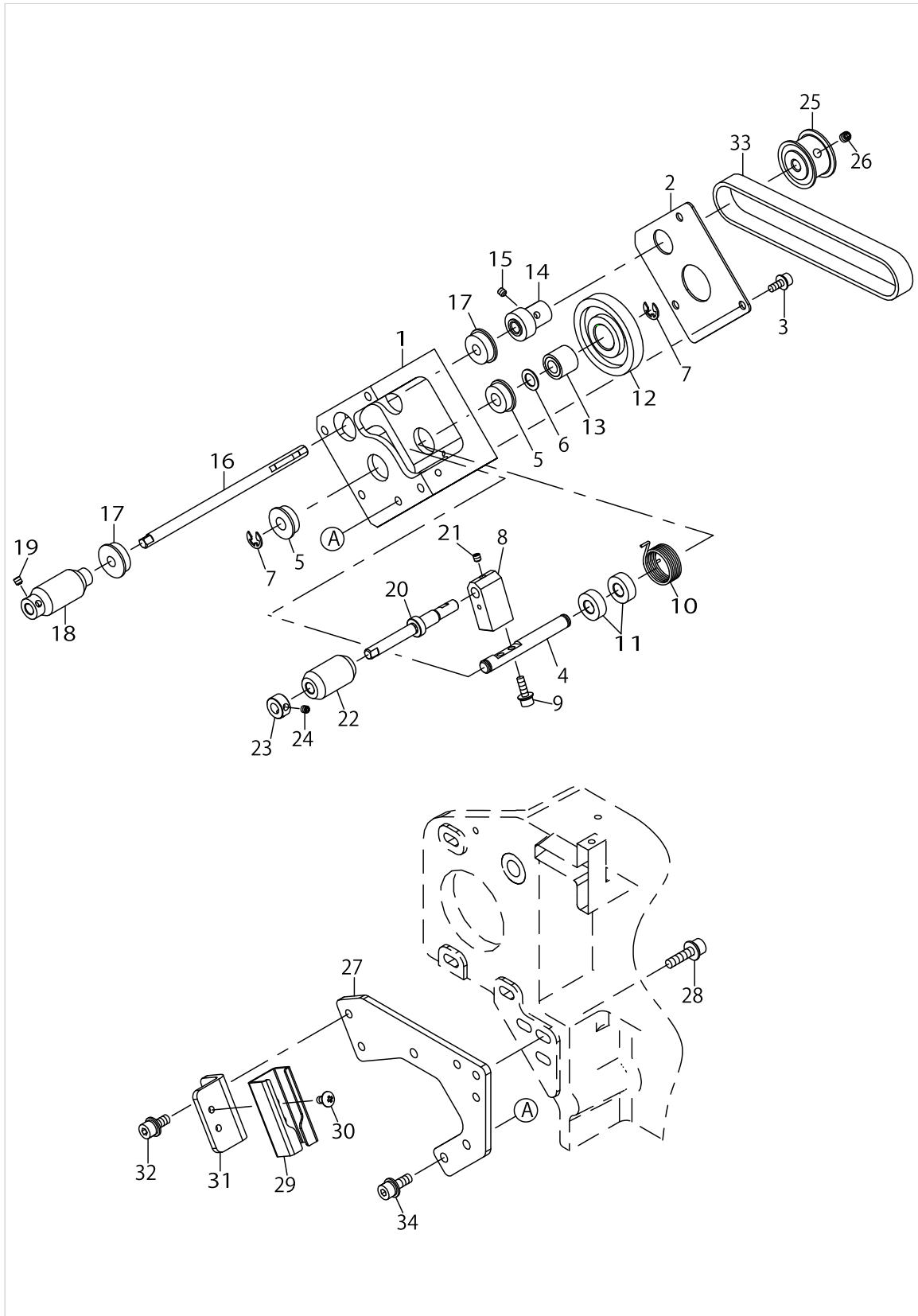
# UNWINDING UNIT COMPONENTS



UNWINDING UNIT COMPONENTS

No.	Supply Code	Parts No.	Replacement	Parts name	Remarks	Choice	Step	Level	Cons	Qty	Rep. QTY
47		WP0430801SC		WASHER M4						1	
48		WS0410002KN		SPRING WASHER M4						1	
49		NM6040001SC		NUT M4X0.7 TYPE1						1	
50		GAW02855000		UNWINDING MOTOR						1	
51		SL6031092TN		SCREW M3 L=10						3	
52		40182625		THREAD_REMOVING_MOTOR_BRACKET						1	
53		SL6041292TN		SCREW M4 L=12						3	
54		GAW02136000		HORIZONTAL FEED MOTOR PULLEY						1	
55		SM8040612TP		SCREW M4 L=6						2	
56		40182626		TIMING_BELT						1	

UNTYING UNIT COMPONENTS

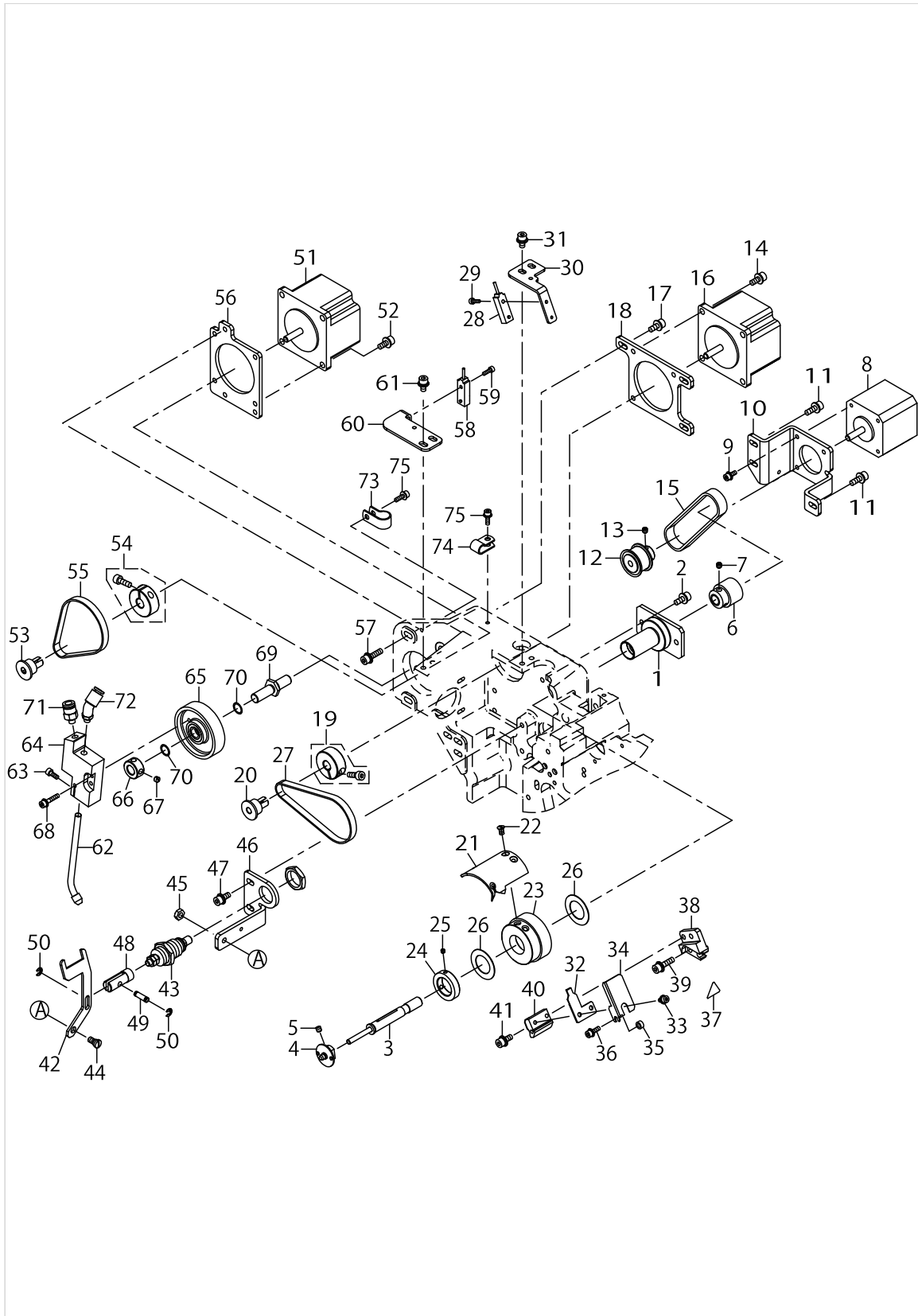


UNTYING UNIT COMPONENTS

No.	Supply Code	Parts No.	Replacement	Parts name	Remarks	Choice	Step	Level	Cons	Qty	Rep. QTY
1		40182618		THREAD_REMOVING_FRAME						1	
2		40182621		THREAD_REMOVING_FRAME_COVER						1	
3		SL6030892TN		SCREW M3 L=8						2	
4		GAW02203000		ZA SHAFT M						1	
5		SB106000900		BEARING						2	
6		26217604		WASHER						1	
7		RE0400000K0		E-RING 4						2	
8		GAW02205000		ZA ARM						1	
9		SL6031092TN		SCREW M3 L=10						2	
10		GAW02211000		ZA SPRING						1	
11		26217505		ROLLER						2	
12		GAW02208000		ZA ARM GEAR L						1	
13		SB306000300		BEARING						1	
14		GAW02209000		ZA ARM GEAR S						1	
15		SM8030312TP		SCREW M3 L=3						2	
16		GAW02202A00		UNWINDING DRIVE SHAFT						1	
17		SB105001500		BEARING						4	
18		GAW02245000		DRIVE GEAR						1	
19		SM8030312TP		SCREW M3 L=3						2	
20		GAW02204A00		UNWINDING DRIVEN SHAFT						1	
21		SM8030312TP		SCREW M3 L=3						1	
22		GAW02246000		DRIVEN GEAR						1	
23		GAW02213000		UNWINDING THRUST COLLAR						1	
24		SM8030312TP		SCREW M3 L=3						2	
25		40182620		THREAD_REMOVING_PULLEY						1	
26		SM8040412TP		SCREW M4X4						2	
27		40182627		DISENTANGLING_FRAME_PLATE						1	
28		SL6041692TN		SCREW M4 L=16						3	
29		GAW02247000		UN-TYING GEAR GUIDE						1	
30		SM0030601SC		SCREW M3X6						2	
31		40182628		DISENTANGLING_GUIDE_PLATE						1	
32		SL6041092TN		SCREW M4 L=10						2	
33		40182629		TIMING_BELT						1	
34		SL6041292TN		SCREW M4 L=12						3	



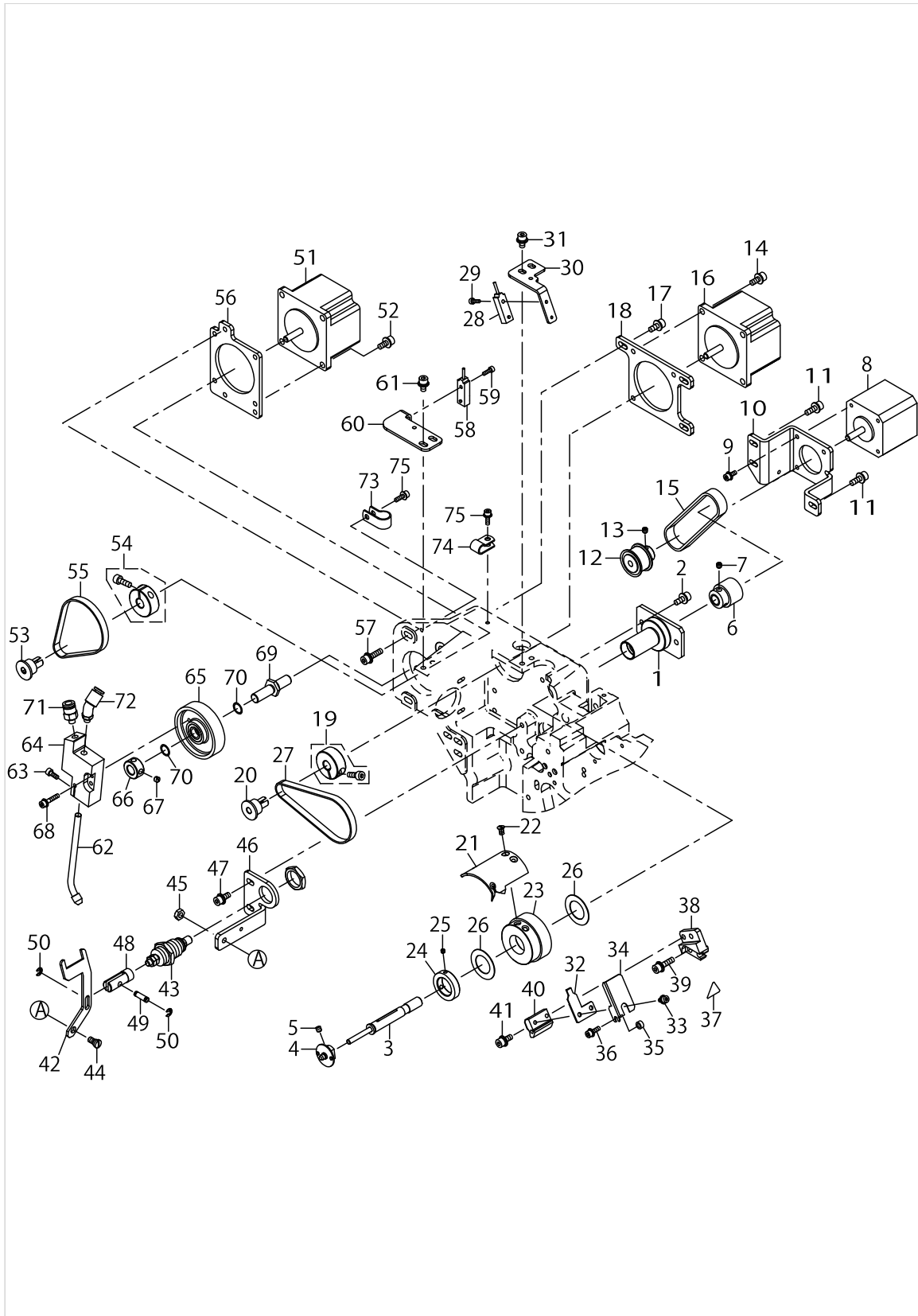
WINDING UNIT COMPONENTS



WINDING UNIT COMPONENTS

No.	Supply Code	Parts No.	Replacement	Parts name	Remarks	Choice	Step	Level	Cons	Qty	Rep. QTY
1		GAW023010B0		WINDING BASE COMPL.						1	
2		SL6041092TN		SCREW M4 L=10						2	
3		GAW023020A0		WINDING SLEEVE ASM.						1	
4		GAW023050A0		WINDING CLUTCH ASM.						1	
5		SM8040412TP		SCREW M4X4						2	
6		GAW02308000		WINDING PULLEY						1	
7		SM8040402TP		SCREW M4X0.7 L=4						2	
8		GAW02854000		WINDING MOTOR						1	
9		SL6030892TN		SCREW M3 L=8						4	
10		40182630		THREAD_WINDING_- MOTOR_BRACKET						1	
11		SL6041292TN		SCREW M4 L=12						3	
12		GAW02309000		WINDING MOTOR PULLEY						1	
13		SM8040402TP		SCREW M4X0.7 L=4						2	
14		SL6041092TN		SCREW M4 L=10						3	
15		40182631		TIMING_BELT						1	
16		40180190		MOVING KNIFE MOTOR						1	
17		SL6041092TN		SCREW M4 L=10						3	
18		40182632		MOVING_KNIFE_MOTOR_PLATE						1	
19		E2131172000		PC CENTER COLLAR						1	
20		GAW02325000		THREADING MOTOR PULLEY						1	
21		GAW02321A00		THREADING KNIFE 20					☆	1	
22	R	SS2090640TP	SS2090620SP	SCREW						2	1.00
23		40182633		THREADING_PULLEY_20_ASM						1	
24		GAW02323000		THREADING COLLAR						1	
25		SM8030302TP		SCREW M3X3						2	
26		GAW02324000		RING BUSH						2	
27		GAW02603000		TIMING BELT						1	
28		40180183		MOVING KNIFE SENSOR ASSY						1	
29		SM6850802TN		SCREW M2.5 L=8						1	
30		40182634		MOVING_KINFE_SENSOR_PLATE						1	
31		SL6040892TN		SCREW M4 L=8						2	
32		GAW02327A00		COUNTER KNIFE					☆	1	
33		SL6030692TN		SCREW M3 L=6						2	
34		GAW02328A00		COUNTER KNIFE COVER						1	
35		GAW01506000		SPACER						1	
36		SL6031092TN		SCREW M3 L=10						1	
37		CM300200001		FINGER INJURY CA- UTION LABEL (16)						1	
38		GAW02331000		COUNTER KNIFE BASE						1	
39		SL6041692TN		SCREW M4 L=16						2	
40		GAW02332000		COUNTER KNIFE HOLDER						1	
41		SL6041092TN		SCREW M4 L=10						2	
42		GAW02341A00		THREADING WIPER 20						1	
43		PA1001027A0		PIN CYLINDER						1	
44		SD0550211SP		SHOULDER SCREW D=5.5 H=2.1						1	
45		NS6110350SP		HEXAGONAL NUT 11/64-40						1	

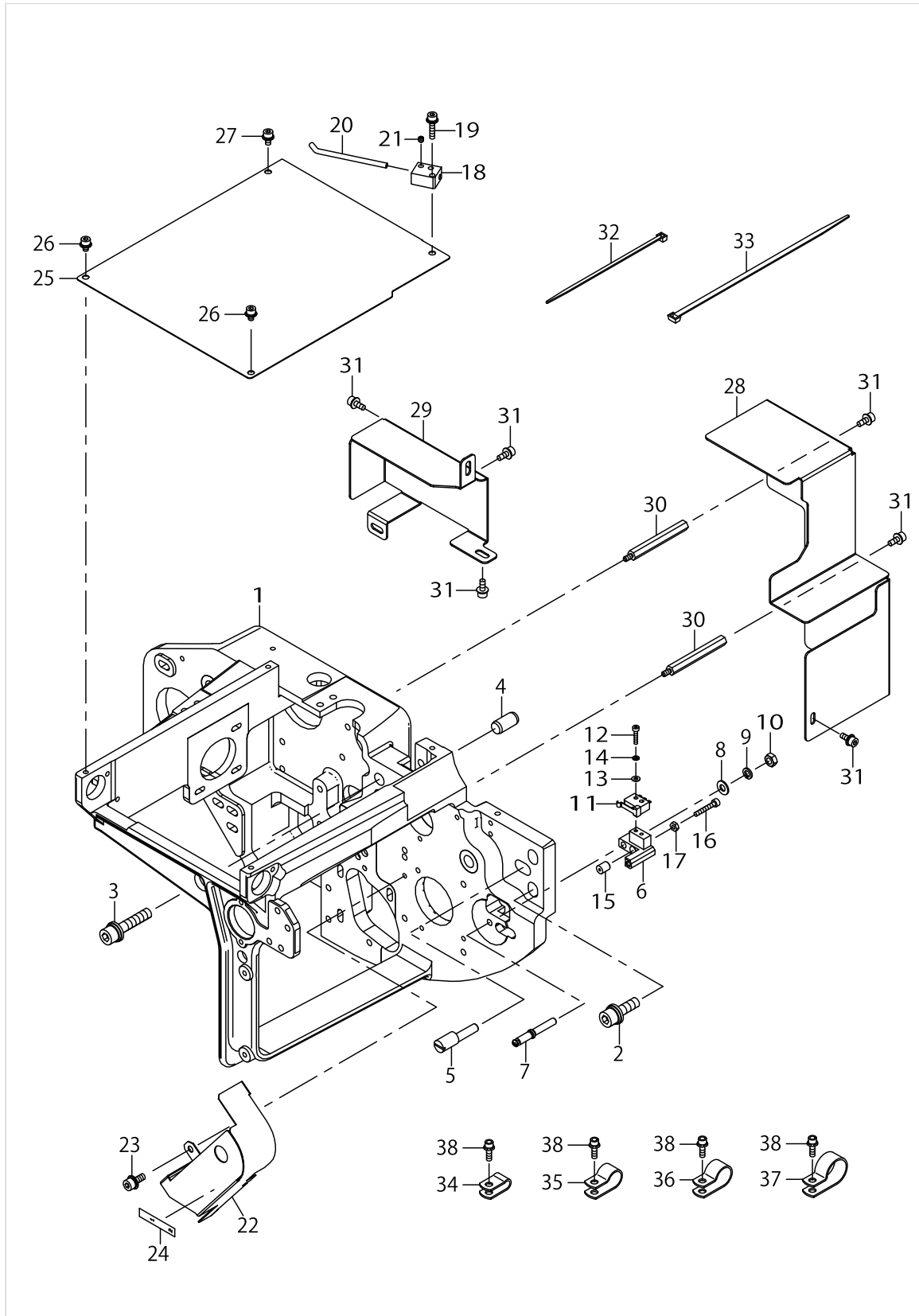
WINDING UNIT COMPONENTS



WINDING UNIT COMPONENTS

No.	Supply Code	Parts No.	Replacement	Parts name	Remarks	Choice	Step	Level	Cons	Qty	Rep. QTY
46		40182635		THREAD_WIPER_BRACKET						1	
47		SL6041092TN		SCREW M4 L=10						2	
48		GAW02343000A		THREADING WIPER JOINT						1	
49		11301405		PIN						1	
50		RE0300000K0		E-RING 3						2	
51		40180193		NOZZLE MOTOR						1	
52		SL6041092TN		SCREW M4 L=10						4	
53		GAW02325000		THREADING MOTOR PULLEY						1	
54		E2131172000		PC CENTER COLLAR						1	
55		40182636		TIMING_BELT						1	
56		40182637		NOZZLE_MOTOR_PLATE						1	
57		SL6041692TN		SCREW M4 L=16						3	
58		40180184		NOZZLE SENSOR ASSY						1	
59		SM6850802TN		SCREW M2.5 L=8						1	
60		40182638		NOZZLE_MOTOR_SENSOR_PLATE						1	
61		SL6040892TN		SCREW M4 L=8						2	
62		GAW023510A0		NOZZLE ASM.						1	
63		SM6030802TN		SCREW						2	
64	D	GAW02352A00		NOZZLE VACUUM 20						1	
65		40182639		NOZZLE_PULLEY_ASM						1	
66		CS0800881TP		THRUST COLLAR D=8 W=8						1	
67		SM8050412TP		SCREW M5 L=4						2	
68		SL6031692TN		SCREW M3 L=16						2	
69		GAW02354000		NOZZLE SHAFT						1	
70		GAW01507000		SPACER						2	
71		GAW02613000		UNION						1	
72		PJ309040501		45 ELBOW UNION						1	
73		HX00150000D		CABLE CLAMP						1	
74		HX00150000B		CABLE CLAMP						1	
75		SL6031092TN		SCREW M3 L=10						2	

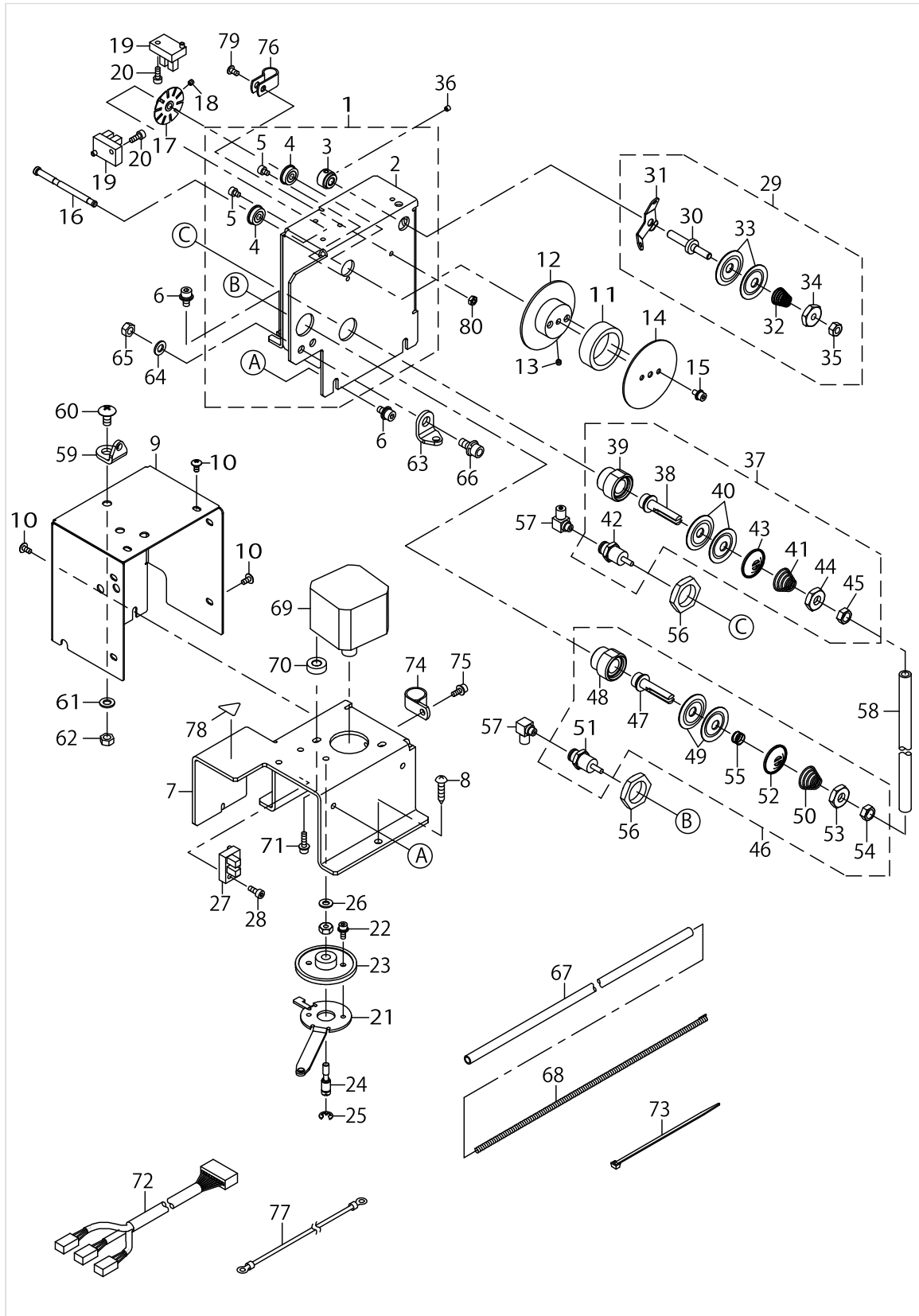
SUPPORT UNIT COMPONENTS



SUPPORT UNIT COMPONENTS

No.	Supply Code	Parts No.	Replacement	Parts name	Remarks	Choice	Step	Level	Cons	Qty	Rep. QTY
1		40182481		SUPPORT_BASE						1	
2		SL6062092TN		SCREW M6 L=20						2	
3		SL6063092TN		SCREW M6 L=30						2	
4		40126375		FEED_ADJUSTING_PIN_A						1	
5		40182600		ADJUSTING_SHAFT						1	
6		40182601		DUMMY_BASE						1	
7		40182602		DUMMY_SHAFT						1	
8		WP0430801SC		WASHER M4						1	
9		WS0410002KN		SPRING WASHER M4						1	
10		NM6040002SE		NUT M4X0.7 TYPE2						1	
11		GAW028670A0A		DUMMYSENSORASM.						1	
12		SM6021002TN		SCREW M2X10						2	
13		WP0220301SC		WASHER M2						2	
14		WS0210002KN		SPRING WASHER M2						2	
15		13744909		TRIPPING LEVER						1	
16		SM6851602TN		SCREW M2.5X16						1	
17		NM6850001SC		NUT M2.5X0.45 TYPE1						1	
18		GAW02410000		HOOK PIPE HOLDER						1	
19		SL6031492TN		SCREW M3 L=14						1	
20		GAW02404000		HOOK PIPE						1	
21		SM8030302TP		SCREW M3X3						2	
22		GAW02405000		ROTATING BELT COVER						1	
23		SL6030892TN		SCREW M3 L=8						3	
24		GAW02357000		MEASUREMENT SEAL						1	
25		40182603		HORIZONTAL_FEED_BELT_COVER						1	
26		SL6030592TN		SCREW M3 L=5						2	
27		SL6030692TN		SCREW M3 L=6						1	
28		40182604		REAR_COVER_A						1	
29		40182605		REAR_COVER_B						1	
30		GAW02622000		HEXAGON STUD						2	
31		SL6030892TN		SCREW M3 L=8						6	
32		EA9500B0100		CABLE BAND						6	
33		EA9500B0200		CABLE BAND						3	
34		HX00150000A		CABLE CLAMP						2	
35		HX00150000D		CABLE CLAMP						2	
36		HX00150000E		CABLE CLAMP						1	
37		HX00150000H		CABLE CLAMP						4	
38		SL6031092TN		SCREW M3 L=10						9	

# THREAD MEASURING UNIT COMPONENTS

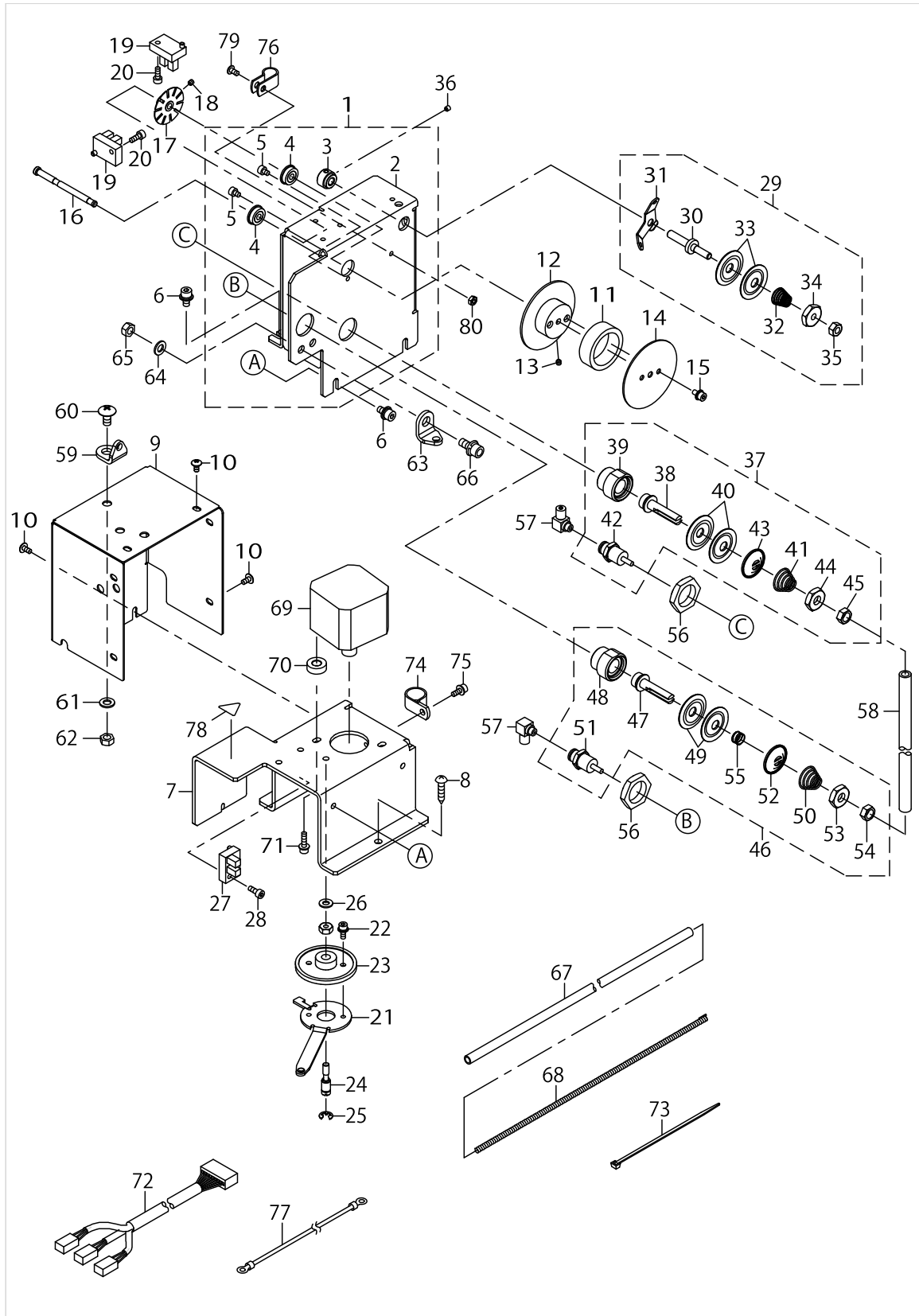


THREAD MEASURING UNIT COMPONENTS

No.	Supply Code	Parts No.	Replacement	Parts name	Remarks	Choice	Step	Level	Cons	Qty	Rep. QTY
1		GAW02361AA0		THREAD MEASURING BASE A ASM.						1	
2		GAW02361A00		THREAD MEASURING BASE A				*		1	
3		GAW01246000		KU SLEEVE				*		1	
4		SB104001500		BEARING				*		2	
5		SM6030402TN		SCREW M3X4				*		2	
6		SL6040892TN		SCREW M4 L=8						4	
7		GAW02362A00		THREAD MEASURING BASE B						1	
8		SK3382001SE		WOOD SCREW D=3.8 L=20						3	
9		GAW02373000		THREAD MEASURING COVER						1	
10		SM0030601SC		SCREW M3X6						5	
11		GAW01248000		KU ROLLER						1	
12	D	GAW02363A00		THREAD MEASURING ROLLER SLEEVE						1	
13		SM8030312TP		SCREW M3 L=3						2	
14		GAW02364A00		THREAD MEASURING FLANGE						1	
15		SL6030692TN		SCREW M3 L=6						2	
16		GAW02365000		THREAD MEASURING SHAFT						1	
17		GAW023660A0		SENSOR SLIT ASM.						1	
18		SM8030312TP		SCREW M3 L=3						2	
19		HD00057000A		SENSOR						2	
20		SM6030802TN		SCREW						2	
21		GAW023680A0		THREAD MEASURING ARM ASM.						1	
22		SL6030892TN		SCREW M3 L=8						2	
23		GAW02369000		THREAD MEASURING GEAR						1	
24		GAW02370000		THREAD MEASURING ARM PIN						1	
25		RE0400000K0		E-RING 4						1	
26		WP0430801SC		WASHER M4						1	
27		HD00057000A		SENSOR						1	
28		SM6030802TN		SCREW						1	
29		GAW023710A0		FIRST THREAD TENSION ASM.						1	
30	D	11045002		FIRST TENSIONPOST				*		1	
31	R	11045200	22963458	THREAD TENSION GUIDE		A	DDL8700H-7/8700J--7/9000B, DLN6390-7 and so on	*		1	1.00
31	R	11045200	22945463	THREAD TENSION GUIDE		B	DDL8700-7 and so on	*		1	1.00
32		11045101		THREAD TENSION SPRING				*		1	
33	R	B3126012000	22921506	THREAD TENSION DISK				*		2	1.00
34		GAW02371000		SP HOLDER(11/64)				*		1	
35		NS6110420SP		NUT 11/64-40				*		1	
36		SM8030312TP		SCREW M3 L=3						2	
37		GAW02372AA0		SECOND THREAD TENSION ASM.						1	
38		G2301309000		THREAD TENSION ROD				*		1	
39		G2302309000		THREAD TENSION ROD BASE				*		1	
40	R	B3126012000	22921506	THREAD TENSION DISK				*		2	1.00
41		D3129555D00		THREAD TENSION SPRING				*		1	
42		PA0600504A0		AIR CYLINDER				*		1	
43		B3132552000		THREAD TENSION DISK PRESSER				*		1	



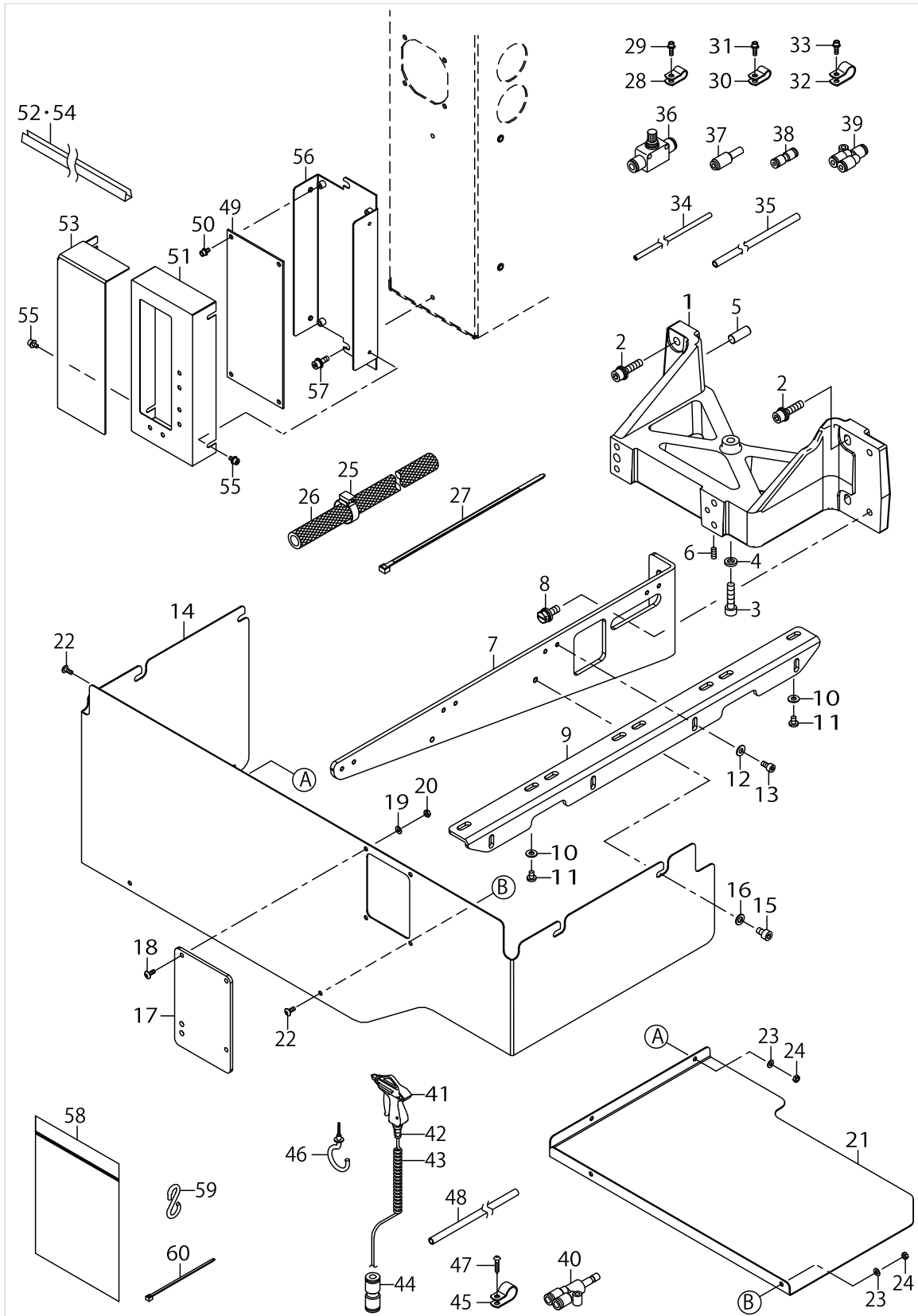
# THREAD MEASURING UNIT COMPONENTS



THREAD MEASURING UNIT COMPONENTS

No.	Supply Code	Parts No.	Replacement	Parts name	Remarks	Choice	Step	Level	Cons	Qty	Rep. QTY
44		GAW02372000		SP HOLDER(1/4)				*		1	
45		NS6660430SP		NUT 1/4-40				*		1	
46		GAW023720A0		THIRD THREAD TENSION ASM.						1	
47		G2301309000		THREAD TENSION ROD				*		1	
48		G2302309000		THREAD TENSION ROD BASE				*		1	
49	R	B3126012000	22921506	THREAD TENSION DISK				*		2	1.00
50		D3129555D00		THREAD TENSION SPRING				*		1	
51		PA0600504A0		AIR CYLINDER				*		1	
52		B3132552000		THREAD TENSION DISK PRESSER				*		1	
53		GAW02372000		SP HOLDER(1/4)				*		1	
54		NS6660430SP		NUT 1/4-40				*		1	
55		D2304212T0T		IDLING PREVENTION SPRING				*		1	
56		NM6160511SE		NUT M16X1.5 TYPE1						2	
57		PJ046052503		HOSE ELBOW						2	
58		BT0800501EB		URETHANE TUBE BLACK 8X5						.1	
59		40010414		THREAD_GUIDE_NO.1						1	
60		SM0051001SC		SCREW M5X10						1	
61		WP0531001SC		WASHER M5						1	
62		NM6050001SC		NUT M5X0.8 TYPE1						1	
63		40010414		THREAD_GUIDE_NO.1						1	
64		WP0531001SC		WASHER M5						1	
65		NM6050001SC		NUT M5X0.8 TYPE1						1	
66		SL6051292TN		SCREW M5 L=12						1	
67		BT0600401EB		URETHANE TUBE BLACK 6X4						.92	
68		GAW02374000		TUBE GUARD						1	
69		40180195		THREAD MEASURING MOTOR						1	
70		26217505		ROLLER						2	
71		SL6031292TN		SCREW M3 L=12						2	
72		40182071		SENSOR RELAY CABLE ASSY						1	
73		EA9500B0100		CABLE BAND						4	
74		HX00150000E		CABLE CLAMP						1	
75		SL6030892TN		SCREW M3 L=8						1	
76		HX00150000C		CABLE CLAMP						1	
77		40179815		FG CABLE ASSY						1	
78		CM300200001		FINGER INJURY CAUTION LABEL (16)						1	
79		SM0030601SC		SCREW M3X6						1	
80		NM6030002SC		NUT M3X0.5 TYPE2						1	

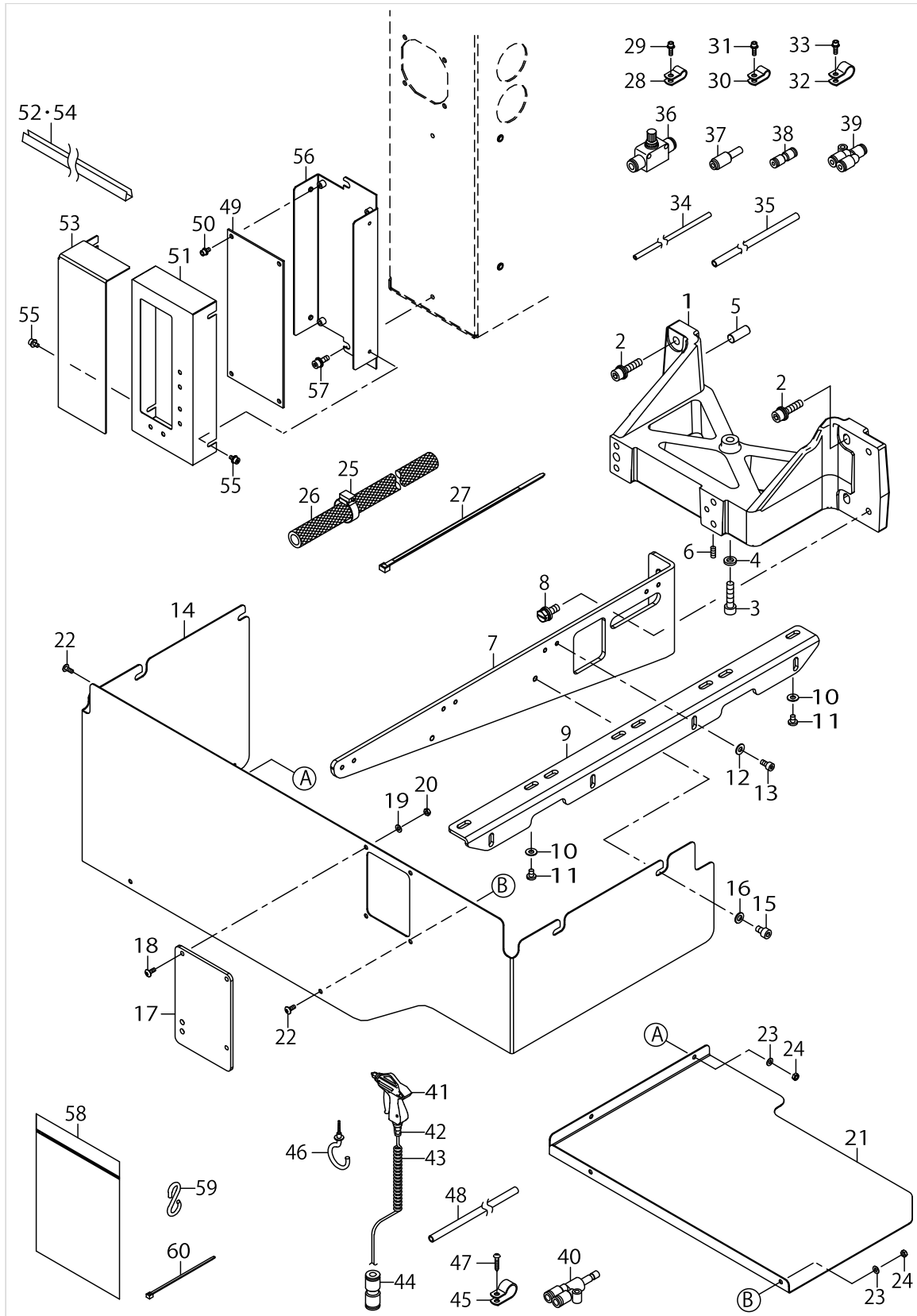
# HOUSING COMPONENTS



HOUSING COMPONENTS

No.	Supply Code	Parts No.	Replacement	Parts name	Remarks	Choice	Step	Level	Cons	Qty	Rep. QTY
1		40182450		AMS_ANGLE						1	
2		SL6062592TN		SCREW M6 L=25						4	
3		SM6062502TP		SCREW M6 L=25						1	
4		WP0612066SP		WASHER 6.1X11X2						1	
5		40126375		FEED_ADJUSTING_PIN_A						1	
6		SM8041012TP		SCREW M4 L=10						1	
7		40182664		COVER_SUPPORT_C_RIGHT						1	
8		SL9061600SF		SCREW M6 L=16						2	
9		40072179		COVER_SUPPORT_BRACKET						1	
10		WP0450801SP		WASHER						5	
11		SM6450610TP		SCREW						5	
12		WP0450801SP		WASHER						4	
13		SM6040802TP		SCREW M4X0.7 L=8						4	
14		40182640		FRONT_COVER						1	
15		SM6051002TN		SCREW						4	
16		WP0531001SC		WASHER M5						4	
17		GAW02573000		FRONT COVER WINDOW						1	
18		SM0030801SC		SCREW M3X8						4	
19		WP0320501SC		WASHER M3						4	
20		NM6030001SC		NUT M3X0.5 TYPE1						4	
21		40182667		UNDER_COVER						1	
22		SM0030801SC		SCREW M3X8						4	
23		WP0320501SC		WASHER M3						4	
24		NM6030001SC		NUT M3X0.5 TYPE1						4	
25		40151059		HOSE_BAND						1	
26		BT1601001Z0		MESH VINYL CHLO- RIDE HOSE CLEAR 16X10						1	
27		HX00065000B		CABLE BAND						2	
28		HX00150000B		CABLE CLAMP						1	
29		SL6031092TN		SCREW M3 L=10						1	
30		HX00150000B		CABLE CLAMP						1	
31		SL6031092TN		SCREW M3 L=10						1	
32		HX00150000D		CABLE CLAMP						1	
33		SL6031092TN		SCREW M3 L=10						1	
34		BT0400251EB		URETHANE TUBE BLACK 4X2.5						7.2	
35		BT0600401EB		URETHANE TUBE BLACK 6X4						3	
36		PC012601000		SPEED CONTROLLER						1	
37		PJ301040001		REDUCER						3	
38		PJ303040002		STRAIGHT UNION 4						1	
39		PJ308040002		QUICK JOINT						1	
40		PJ308060004		BRANCH UNION Y						1	
41		40044823		AIR_GUN						1	
42		PJ301065201		HALF UNION 6XPT1/4						1	
43		GSS36020000		COIL TUBE						1	
44		PJ303060001		STRAIGHT UNION 6						1	
45		HX00150000E		CABLE CLAMP						2	
46		MAT81163T00		CORD HOLDER						1	

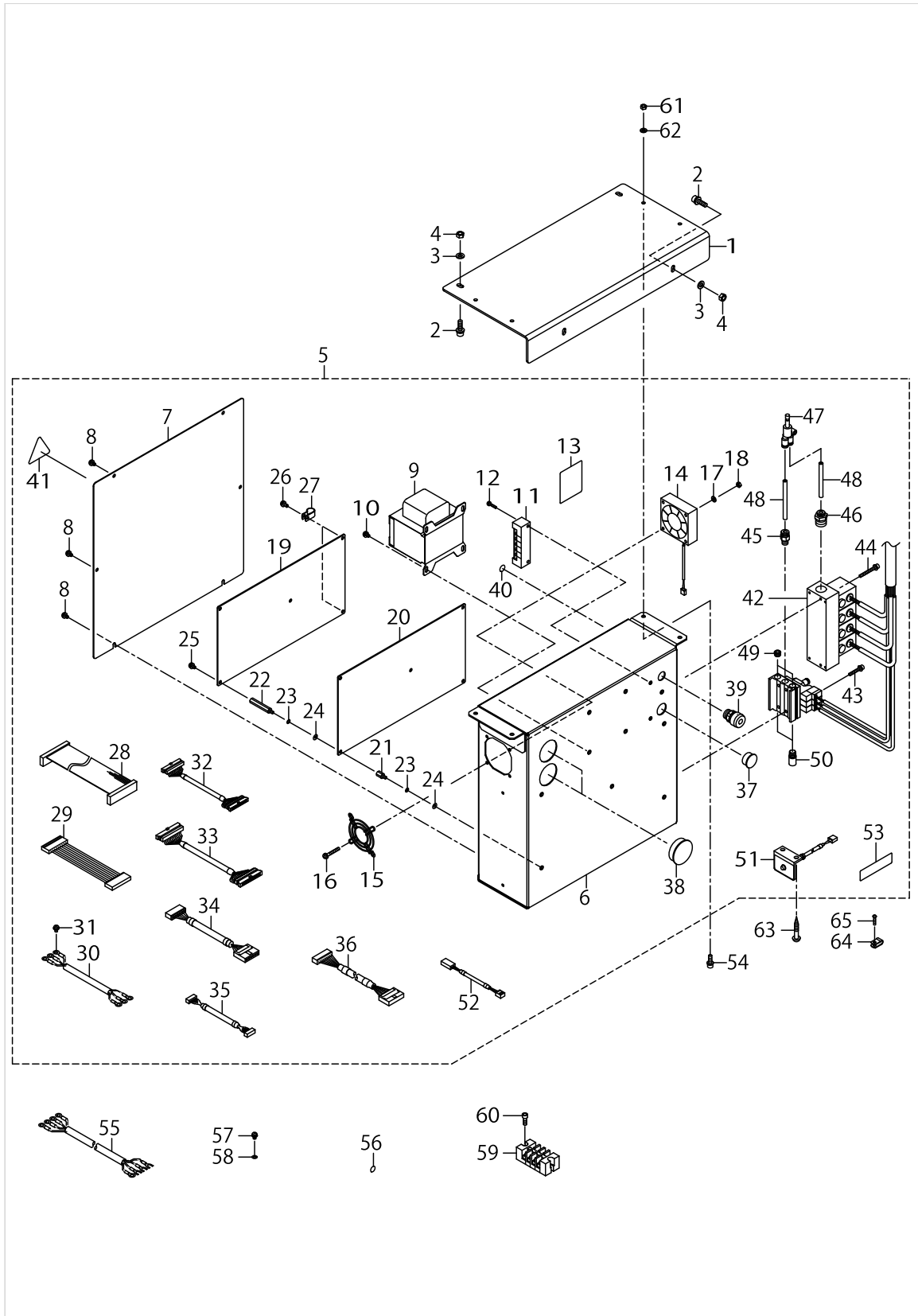
# HOUSING COMPONENTS



HOUSING COMPONENTS

No.	Supply Code	Parts No.	Replacement	Parts name	Remarks	Choice	Step	Level	Cons	Qty	Rep. QTY
47		SK3311601SE		WOOD SCREW D=3.1 L=16						1	
48		BT0600401EB		URETHANE TUBE BLACK 6X4						1	
49		40179821		AW3 INT PCB ASSY						1	
50		SL6030692TN		SCREW M3 L=6						4	
51		GAW02407000		CIRCUIT BOARD COVER						1	
52		HX003670000		GROMMET						.32	
53		40182671		INT BOARD COVER						1	
54		HX000960000		EDGING						.15	
55		SL6030692TN		SCREW M3 L=6						4	
56		GAW02409000		CIRCUIT BOARD BASE						1	
57		SL6041292TN		SCREW M4 L=12						2	
58		40139091		DUST_BAG						1	
59		13160304		S SHAPED HOOK						1	
60		EA9500B0000		CABLE BAND						1	

ELECTRICAL BOX COMPONENTS

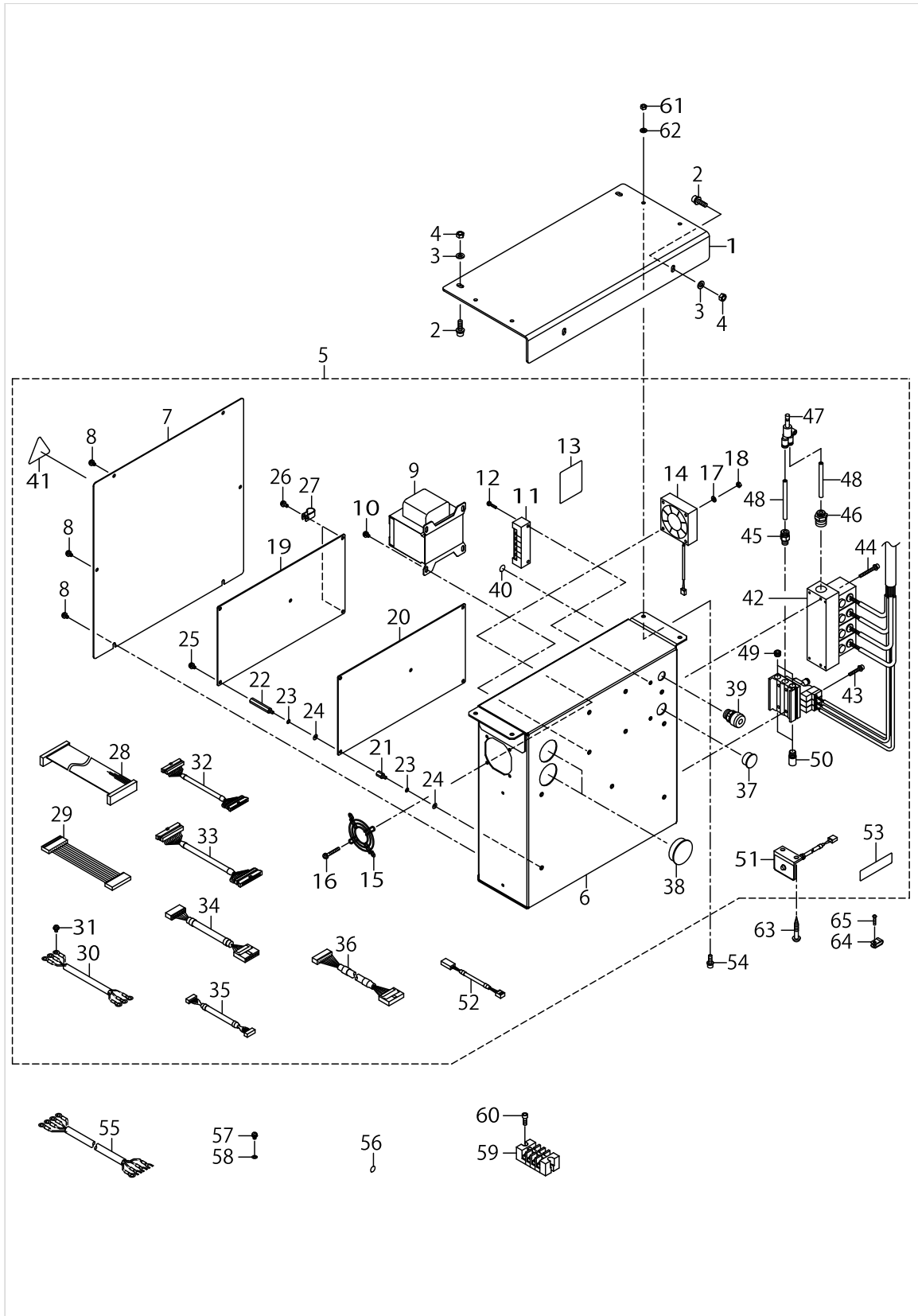


## ELECTRICAL BOX COMPONENTS

No.	Supply Code	Parts No.	Replacement	Parts name	Remarks	Choice	Step	Level	Cons	Qty	Rep. QTY
1		40182653		ELECTRICAL_BOX_BASE						1	
2		SL6062092TN		SCREW M6 L=20						4	
3		WP0641601SC		WASHER M6						4	
4		NM6060001SC		NUT M6X1 TYPE1						4	
5		40183430		ELECTRICAL BOX ASM.						1	
6		40182642		ELECTRICAL BOX				*		1	
7		40101996		ELECTRICAL BOX COVER				*		1	
8		SL4040891SC		SCREW M4X8				*		6	
9		GAW02753000		POWER TRANSFORMER				*		1	
10		SL4040891SC		SCREW M4X8				*		4	
11		HK043450060		BLOCK TERMINAL				*		1	
12		SL4031681SC		SCREW M3 L=16				*		2	
13		GAW02782000		VOLTAGE SELECTION SEAL				*		1	
14		GAW02769DA0		FAN MOTOR ASM.				*		1	
15		HM0003800A0		FAN MOTOR				*		1	
16		SL4043091SC		SCREW M4 L=30				*		4	
17		WP0430801SC		WASHER M4				*		4	
18		NM6040001SC		NUT M4X0.7 TYPE1				*		4	
19		40179219		AW3 CPU PCB A ASSY				*		1	
20		40179812		AW3 DRV PCB ASSY				*		1	
21		HX003390000		SPACER				*		5	
22		HX00339000D		SPACER				*		5	
23		WS0410002KN		SPRING WASHER M4				*		10	
24		WP0430801SC		WASHER M4				*		10	
25		SL4040891SC		SCREW M4X8				*		3	
26		SL4041091SC		SCREW M4 L=10				*		2	
27		HX00150000D		CABLE CLIP				*		2	
28		GAW02761000		CPU-DRV CONNECTING CORD ASM.				*		1	
29		GAW027620A0		CPU-DRV POWER CORD ASM.				*		1	
30		40182068		POWER CABLE ASSY				*		1	
31		SL4040891SC		SCREW M4X8				*		2	
32		40182072		CPU-INT CONNECTING CABLE ASSY				*		1	
33		40182073		DRV-INT CONNECTING CABLE ASSY				*		1	
34		40180185		THREAD MEASURING MOTOR CABLE ASSY				*		1	
35		40182069		I/F CABLE ASSY				*		1	
36		40182070		SENSOR EXT. CABLE ASSY				*		1	
37		HX00188000D		GROMMET				*		1	
38	D	HX00188000F		GROMMET				*		2	
39		HX00252000B		CORD LOCK				*		1	
40		E9567319000		EARTH MARK				*		1	
41		CM300100004		VOLTAGE WARNING LABEL (50)				*		1	
42		GAW027730A0		SOLENOID VALVE ASM.				*		1	
43		SL4032591SC		SCREW M3 L=25				*		2	
44	D	SL4033591SC		SCREW M3 L=35				*		2	
45		PJ301065103		HALF UNION 6XPT1/8				*		1	



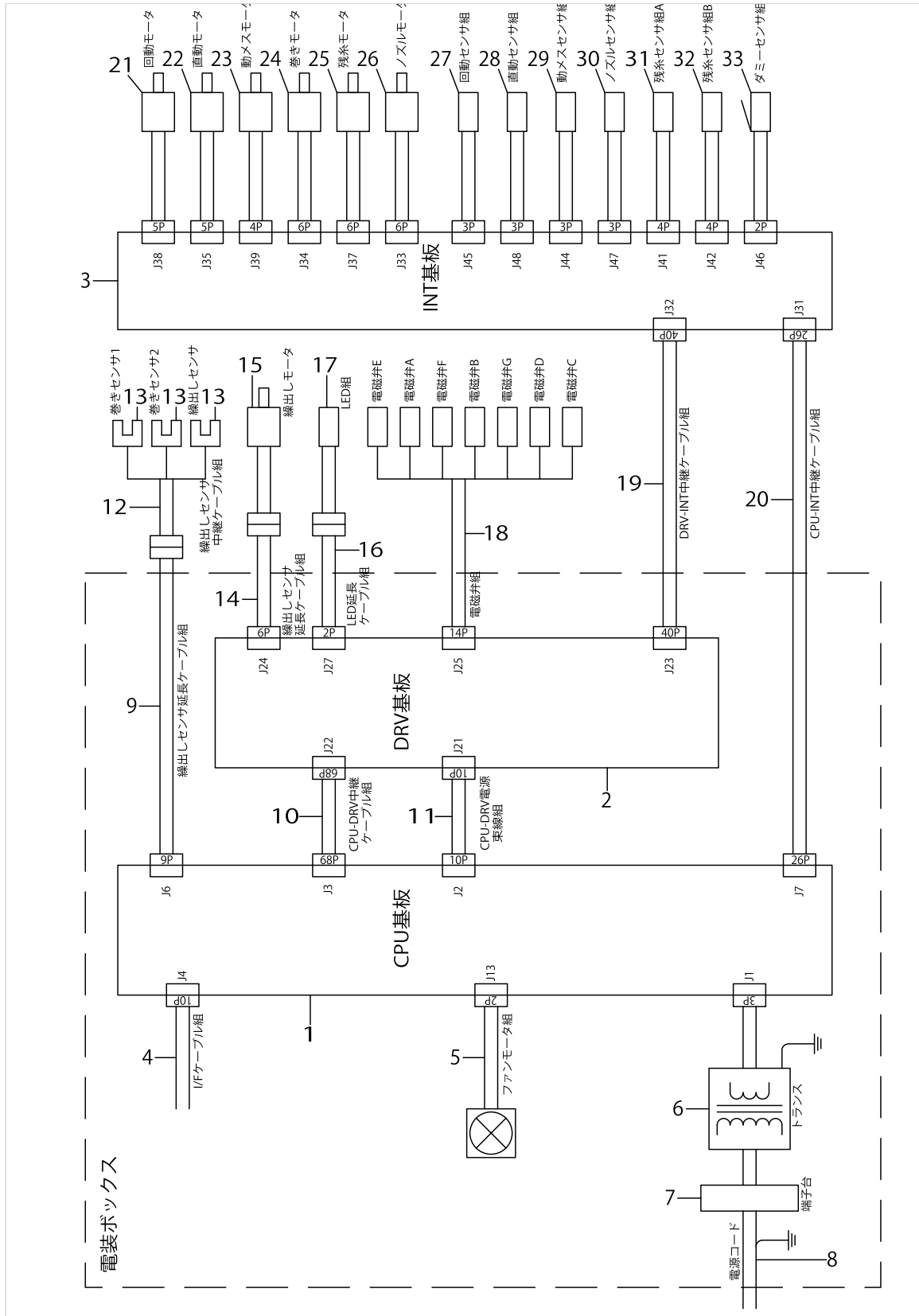
ELECTRICAL BOX COMPONENTS



ELECTRICAL BOX COMPONENTS

No.	Supply Code	Parts No.	Replacement	Parts name	Remarks	Choice	Step	Level	Cons	Qty	Rep. QTY
46		PJ210006200		HALF UNION				*		1	
47		PJ308060004		BRANCH UNION Y				*		1	
48		BT0600401EB		URETHANE TUBE BLACK 6X4				*		0.9	
49		PJ025100002		PLUG R1/8				*		2	
50		PX055104000		SILENCER				*		2	
51		GAW028380A0		LED ASM.				*		1	
52		40179816		LEDEXT.CABLEASSY				*		1	
53		40179818		ELECTRICAL RATING LABEL JP				*		1	
54		SL6051692TN		SCREW M5 L=16						4	
55		40182446		POWER RELAY CABLE ASSY						1	
56		22901805		GROUND MARK						2	
57		SL4040891SC		SCREW M4X8						3	
58		WT0430001KN		TOOTHED WASHER						3	
59		HK096850040		BLOCK TERMINAL						1	
60		SM6051402TN		SCREW M5 L=14						2	
61		NM6050001SC		NUT M5X0.8 TYPE1						4	
62		WP0531001SC		WASHER M5						4	
63		SK3512001SE		WOOD SCREW D=5.1 L=20						2	
64		HX00150000A		CABLE CLAMP						1	
65		SK3311601SE		WOOD SCREW D=3.1 L=16						1	

WIRING DIAGRAM (AW-3)



WIRING DIAGRAM (AW-3)

No.	Supply Code	Parts No.	Replacement	Parts name	Remarks	Choice	Step	Level	Cons	Qty	Rep. QTY
1		40179219		AW3 CPU PCBA ASSY						1	
2		40179812		AW3 DRV PCB ASSY						1	
3		40179821		AW3 INT PCB ASSY						1	
4		40182069		I/F CABLE ASSY						1	
5		GAW02769DA0		FAN MOTOR ASM.						1	
6		GAW02753000		POWER TRANSFORMER						1	
7		HK043450060		TERMINAL BASE						1	
8		40182068		POWER CABLE ASSY						1	
9		40182070		SENSOR EXT. CABLE ASSY						1	
10		GAW02761000		CPU-DRV CONNECTING CORD ASM.						1	
11		GAW027620A0		CPU-DRV POWER CORD ASM.						1	
12		40182071		SENSOR RELAY CABLE ASSY						1	
13		HD00057000A		PHOTO SENSOR						3	
14		40180185		THREAD MEASURING MOTOR CABLE A						1	
15		40180195		THREAD MEASURING MOTOR						1	
16		40179816		LEDEXT.CABLEASSY						1	
17		GAW028380A0		LED ASM.						1	
18		GAW027730A0		SOLENOID VALVE ASM.						1	
19		40182073		DRV-INT CONNECTING CABLE ASSY						1	
20		40182072		CPU-INT CONNECTING CABLE ASSY						1	
21		40180188		ROTATING MOTOR						1	
22		GAW02852000		HORIZONTAL FEED MOTOR						1	
23		40180190		MOVING KNIFE MOTOR						1	
24		GAW02854000		WINDING MOTOR						1	
25		GAW02855000		UNWINDING MOTOR						1	
26		40180193		NOZZLE MOTOR						1	
27		40180181		ROTATING SENSOR ASSY						1	
28		40180182		HORIZONTAL FEED SENSOR ASSY						1	
29		40180183		MOVING KNIFE SENSOR ASSY						1	
30		40180184		NOZZLE SENSOR ASSY						1	
31		GAW028650A0		UNWINDING SENSOR A ASM.						1	
32		GAW028660A0		UNWINDING SENSOR B ASM.						1	
33		GAW028670A0A		DUMMYSENSORASM.						1	

## HOW TO MAKE USE OF THIS PARTS LIST

- 1.As to "#01" and "#02" refer to the "Note" given at the bottom of the respective pages.
- 2.Codes on the "Qty" column
  - Each numeral indicates the number of parts required.
  - "0.1" and "2.5" indicate the length (in meters) of the respective parts.
- 3.Parentheses mean that the corresponding part is a subpart that constructs an assembly part.
- 4.Dotted lines on the Figures indicate assembly parts.
- 5.As to the parts with marks of "☆"(Consumable parts)and "◎"(optional parts)on the respective parts, it is recommended to prepare spares.

1. リストページの#01、#02の印は、ページ下の"注記"の説明を参照下さい。
2. 数量欄の数字は、個数を表し、0.1、2.5等の数値は、長さ（単位メートル）を表します。
3. 数量欄の（ ）は、組部品を構成している子部品であることを意味します。
4. イラストページの-----枠は、組構成であることを意味します。
5. リストページの"☆"（消耗部品）、"◎"（オプション部品）の印が付いた部品は、予備を準備しておくことをお勧めします。

NUMERICAL INDEX OF PARTS

PART NO	PAGE	REF NO.	PART NO	PAGE	REF NO.	PART NO	PAGE	REF NO.
10102200	74	13	22928808	34	28	40003970	22	46
10126704	26	9	22932800	74	18	40005393	60	33
10502300	2	35	22933105	74	10	40005393	64	18·19
11045002	94	30	22933204	74	8	40005394	60	35
11045101	94	32	22955504	32	35	40005394	64	20
11045200	94	31	22955900	32	7	40005401	60	22
11072402	4	47	22956007	32	8	40005401	64	8
11301405	90	49	22956908	32	14	40005706	60	20
12209706	10	77	23517501	38	4	40005726	60	36
12219705	26	14	23517600	38	5	40005726	64	21
13122403	18	23	23517709	38	6	40005727	60	37
13122452	18	22	23517808	38	7	40005727	64	22
13160304	100	59	23604200	14	2	40006323	74	7
13518501	30	55	23610108	18	39	40006484	2	37
13705108	2	21	23618606	28	7	40006515	16	50
13744909	92	15	23618606	42	35	40006516	16	52
13887005	44	88	23630007	30	70	40006516	30	66
14113450	4	49	26023408	50	4	40006617	34	5
14113468	2	46	26037200	2	41	40006622	34	25
14115554	6	31	26211904	2	12	40006625	34	4
14115554	66	40·44	26217505	82	10	40006666	38	21
14432504	30	56	26217505	86	11	40006836	2	43
14435705	28	20	26217505	96	70	40006840	2	45
14435804	26	34	26217604	82	25	40006840	30	68
14439608	38	25	26217604	86	6	40010414	96	63
14440309	38	27	26218602	34	31	40010415	14	5
14440457	38	28	26226001	22	42	40010418	14	7
14440556	38	29	26230706	26	20	40010422	14	9
16870206	68	36	26260109	6	5	40010423	14	10
17845009	60	27	26260208	6	6	40010424	14	11
18035204	72	33	26260307	6	7	40010425	14	12
18035303	72	24	26260406	6	8	40010426	14	13
18035600	72	35	26260505	6	9	40010427	14	14
18035709	72	34	26260604	6	10	40010434	14	33
22891006	14	25	26260703	6	11	40010443	40	49
22891204	14	34	26260802	6	12	40010477	34	6
22901409	16	62	26261206	6	16	40010478	34	41
22901805	6	3	26261305	6	17	40010479	34	8
22901805	104	56	26261503	6	18	40010487	34	17
22902506	2	4	26261602	6	19	40010489	34	23
22907505	18	45	26261701	6	20	40010490	34	20
22907554	18	44	26910059	56	25	40010497	34	21
22907604	20	46	40000056	60	15·16	40010498	34	22
22920508	2	16	40000056	64	3·4	40010503	34	27
22921506	34	29	40003458	62	42	40010504	34	30

# NUMERICAL INDEX OF PARTS

PART NO	PAGE	REF NO.	PART NO	PAGE	REF NO.	PART NO	PAGE	REF NO.
40010509	34	34	40026819	22	9	40033875	76	23
40010510	34	35	40026882	16	57	40035024	58	36
40010511	34	36	40026979	2	3	40037500	32	32
40010512	34	37	40027870	22	37	40037501	32	33
40010513	34	38	40027971	2	11	40040230	10	62
40010514	34	39	40028834	2	30	40040230	66	54
40010515	34	40	40028835	2	31	40040238	66	49
40010521	34	43	40028877	2	28	40040256	38	8
40010522	34	44	40029411	34	32	40042352	72	2
40010523	34	33	40029412	34	42	40043321	24	53
40010533	16	54	40029419	18	36	40044053	16	46
40012965	18	19	40029420	22	5	40044053	30	62
40013640	6	29	40029420	28	45	40044823	98	41
40013721	26	25	40030615	22	15	40048529	66	45
40023624	20	58	40030616	20	65	40050647	74	20
40023624	38	13	40030617	18	4	40051473	16	42
40023631	20	49	40030620	18	31	40051501	10	61
40023635	50	5	40030621	20	55	40051640	62	43·50
40023644	50	2	40030623	20	47	40051769	52	49
40023866	6	14	40030625	22	1	40051770	50	43
40023993	34	12	40030626	22	2	40051987	2	40
40023999	34	15	40030627	22	3	40052937	16	60
40024988	18	29	40030628	20	62~64	40052937	64	23
40024989	22	24	40030629	20	62~64	40055355	60	1
40024991	18	40	40030630	20	62~64	40057278	62	43·50
40024997	8	41	40030828	2	8	40058949	12	92
40024999	2	6	40030936	38	1	40068833	18	14
40025011	18	13	40030956	32	6	40068834	18	28
40025012	18	5	40031336	6	28	40068835	18	7
40025014	10	54	40032158	2	1	40071942	64	28
40025016	22	31	40032159	2	26	40071944	64	31
40025030	22	36	40032179	22	7	40071945	64	34
40025414	2	14	40032180	22	17	40072074	8	12
40025415	18	8	40032181	22	22	40072076	8	15
40025418	22	33	40032229	50	13	40072077	68	2
40025419	24	47	40032343	34	11	40072078	8	25
40025420	22	44	40032345	34	14	40072079	8	20
40025423	22	8	40032483	22	6	40072080	8	21
40025426	22	27	40032693	78	16	40072081	8	19
40025427	18	2	40032715	82	19	40072082	74	2
40025428	18	11	40032716	82	21	40072086	14	8
40025429	18	26	40032763	74	16	40072087	68	3
40025431	18	1	40033831	66	55	40072088	30	48
40025440	32	36	40033831	72	1	40072103	30	51
40026817	22	4	40033875	66	56	40072107	38	15

# NUMERICAL INDEX OF PARTS

PART NO	PAGE	REF NO.	PART NO	PAGE	REF NO.	PART NO	PAGE	REF NO.
40072111	34	26	40072186	10	69	40073678	66	53
40072112	42	13	40072191	8	16	40074051	58	18
40072113	42	2	40072193	10	68	40074127	76	22
40072114	42	12	40072195	8	22	40075391	66	46
40072115	42	3	40072206	68	4	40076294	32	41
40072116	42	14	40072207	28	3	40076736	76	1
40072117	42	15	40072208	30	49	40076738	76	2
40072118	42	16	40072209	44	72	40077604	16	55
40072119	42	17	40072211	38	45	40077605	16	56
40072120	42	23	40072212	10	81	40077925	20	56
40072122	42	24	40072213	10	80	40078079	14	35
40072124	42	27	40072214	10	79	40078083	14	27
40072125	42	28	40072220	54	1	40078088	14	23
40072126	42	29	40072223	68	5	40078106	14	22
40072127	44	81	40072226	42	10	40078107	16	68
40072128	42	21	40072227	46	94	40078113	20	57
40072129	42	20	40072228	38	10	40078133	18	43
40072130	42	4	40072231	68	41	40078135	14	29-30
40072131	42	33	40072233	14	39	40078160	16	43
40072133	44	74	40073216	68	20	40078163	58	2
40072135	50	1	40073222	68	6	40078168	58	9
40072136	50	28	40073224	68	7	40080799	58	3
40072138	50	46	40073225	68	8	40080800	58	4
40072143	8	23	40073226	68	9	40082017	10	88
40072151	64	42	40073227	68	12	40082758	60	13
40072152	42	9	40073230	68	13	40082758	64	2
40072154	74	11	40073231	68	14	40083666	58	7
40072155	48	5	40073620	64	24-35	40083668	58	6
40072156	42	26	40073621	64	25-36	40085784	56	2
40072160	42	1	40073622	64	32-50	40085785	56	3
40072161	52	52	40073623	64	29-58	40085786	56	4
40072163	50	40	40073632	64	37	40085787	56	5
40072166	42	5	40073638	64	38	40085788	56	6
40072167	42	7	40073639	64	33	40085789	56	7
40072168	42	8	40073640	64	30	40085790	56	8
40072169	42	6	40073659	62	46	40085791	56	9
40072171	42	18	40073659	64	26	40085792	56	10
40072173	28	9	40073660	34	1	40085793	56	11
40072174	8	18	40073660	64	41	40085794	56	12
40072176	10	51	40073671	66	47	40085795	56	13
40072177	10	60	40073672	66	48	40085796	56	16
40072178	10	59	40073675	66	51	40085820	50	14
40072179	10	53	40073676	2	33	40085824	50	34
40072179	98	9	40073676	66	52	40085830	50	33
40072184	8	17	40073678	2	25	40086349	32	11



# NUMERICAL INDEX OF PARTS

PART NO	PAGE	REF NO.	PART NO	PAGE	REF NO.	PART NO	PAGE	REF NO.
40086350	32	9	40104419	48	11	40173333	28	42
40086351	32	28	40106576	56	28	40173334	28	43
40086352	32	15	40106579	56	29	40173335	28	44
40086353	32	10	40106580	56	27	40173336	28	40
40086354	32	27	40106583	56	26	40173337	26	21
40086355	32	5	40106615	32	1	40173339	40	55
40086357	32	12	40106616	32	4	40173341	26	6
40086358	32	13	40108280	64	39·43	40173343	38	31
40086384	28	6	40108754	78	41	40173345	16	61
40086384	42	34	40111079	64	5	40176341	28	11
40086468	58	30	40111079	72	36	40179219	102	19
40086468	64	14~17	40126375	92	4	40179219	106	1
40086485	58	1	40126375	98	5	40179812	102	20
40086485	64	6	40135366	26	2	40179812	106	2
40086541	58	5	40135369	38	24	40179815	96	77
40089584	68	25·43	40135370	38	32	40179816	104	52
40090431	68	44	40136163	68	25·43	40179816	106	16
40090432	12	90	40139091	100	58	40179818	104	53
40090785	8	4	40151059	98	25	40179821	100	49
40091894	32	16	40162838	60	15·16	40179821	106	3
40094018	60	2	40162838	64	3·4	40180181	78	45
40094019	60	3	40163025	64	18·19	40180181	106	27
40096030	60	29	40163063	64	40·44	40180182	80	73
40096030	64	9~11	40163253	64	24·35	40180182	106	28
40096031	60	30	40163254	64	25·36	40180183	88	28
40096031	64	9~11	40163255	66	32·50	40180183	106	29
40096032	60	31	40163256	66	29·58	40180184	90	58
40096032	64	9~11	40163258	64	39·43	40180184	106	30
40096034	58	32	40166481	58	10	40180185	102	34
40096034	64	14~17	40173311	6	4	40180185	106	14
40096035	58	33	40173312	6	13	40180188	78	38
40096035	64	14~17	40173314	6	15	40180188	106	21
40096050	64	14~17	40173315	14	16	40180190	88	16
40096051	58	34	40173316	14	17	40180190	106	23
40096051	64	7	40173317	14	18	40180193	90	51
40096186	14	29·30	40173318	14	26	40180193	106	26
40096209	14	31·32	40173320	28	1	40180195	96	69
40096325	56	14	40173322	28	15	40180195	106	15
40096326	56	17	40173323	28	17	40182068	102	30
40096327	56	19	40173324	28	18	40182068	106	8
40096354	56	1	40173325	28	29	40182069	102	35
40101763	10	50	40173326	28	32	40182069	106	4
40101996	102	7	40173327	28	34	40182070	102	36
40103968	38	19	40173331	28	39	40182070	106	9
40103969	22	20	40173332	28	41	40182071	96	72

NUMERICAL INDEX OF PARTS

PART NO	PAGE	REF NO.	PART NO	PAGE	REF NO.	PART NO	PAGE	REF NO.
40182071	106	12	40182634	88	30	B1408180000	18	32
40182072	102	32	40182635	90	46	B14115520A0	16	58
40182072	106	20	40182636	90	55	B1411804A00	26	27~30
40182073	102	33	40182637	90	56	B1411804B00	26	27~30
40182073	106	19	40182638	90	60	B1411804C00	26	27~30
40182431	60	11	40182639	90	65	B1411804D00	26	27~30
40182431	64	1	40182640	98	14	B1414555000	16	59
40182446	104	55	40182642	102	6	B1504210000	50	3
40182450	98	1	40182643	26	22	B151902600G	44	83
40182481	92	1	40182651	70	47·48	B1601210D0CA	20	50
40182600	92	5	40182653	102	1	B161121000A	20	48
40182601	92	6	40182654	26	3	B1634210D00	20	53
40182602	82	45	40182655	38	23	B1636581A00	18	15~18
40182602	92	7	40182656	38	42	B1636581B00	18	15~18
40182603	92	25	40182657	38	43	B1636581C00	18	15~18
40182604	92	28	40182659	26	4	B1636581D00	18	15~18
40182605	92	29	40182660	68	1	B1641562000	22	41
40182606	80	79	40182664	98	7	B1705850000	14	31·32
40182607	78	2	40182665	10	52	B1802180000	44	47
40182608	78	5	40182666	82	32	B1816215P00	40	48
40182609	78	7	40182667	98	21	B1816280000	44	84
40182610	80	47	40182671	100	53	B1816280000	50	35
40182611	80	49	40182674	8	44	B1820210D00	26	15
40182612	80	63	40182675	10	45	B1821210D00	26	16
40182613	80	64	40182676	26	8	B1847221D00	26	33
40182614	80	72	40182679	26	23	B1903552000	14	28
40182615	80	75	40182695	70	47·48	B1908505000	14	19
40182616	80	77	40183430	102	5	B2107210D00	32	2
40182618	82	1	A1230500000A	16	48	B2107210D0B	32	42
40182618	86	1	A1230500000A	30	64	B24142800A0	38	30
40182620	82	13	B1111220000A	8	1	B2416280000	38	40
40182620	86	25	B1114280000	4	53	B2417280000	38	41
40182621	82	17	B1115220000	8	2	B242328000A	38	35~39
40182621	86	2	B1120223C00	8	3	B242328000B	38	35~39
40182623	82	37	B1129210000	2	19	B242328000C	38	35~39
40182624	82	41	B1131528000	74	12	B242328000D	38	35~39
40182625	84	52	B1144210000	16	45	B242328000E	38	35~39
40182626	84	56	B1144210000	30	61	B2525223C00	48	1
40182627	86	27	B1157215000	8	27	B2526223C00	48	2
40182628	86	31	B1158224C00	44	80	B2534223C00	42	19
40182629	86	33	B1182223C00	8	24	B2537221D00	48	4
40182630	88	10	B1193223C00	8	26	B2539223C00	42	22
40182631	88	15	B1212210D00	16	44	B2548223C00	42	30
40182632	88	18	B1212210D00	30	60	B2549223C00	42	31
40182633	88	23	B1228232000	34	46	B2560220000	52	47

# NUMERICAL INDEX OF PARTS

PART NO	PAGE	REF NO.	PART NO	PAGE	REF NO.	PART NO	PAGE	REF NO.
B2563215000	52	57	BT0800501EB	96	58	EA9500B0100	24	50
B2567223C00	50	31	BT1601001Z0	98	26	EA9500B0100	26	24
B2567223CA0	50	30	CM100100001	6	32	EA9500B0100	46	97
B2568223C00	50	20	CM200100001	62	49	EA9500B0100	54	21
B2568224C00	50	27	CM300100003	58	27	EA9500B0100	62	48
B2569229000	50	36	CM300100004	102	41	EA9500B0100	68	40
B2626372000	26	13	CM300100401	58	23·24	EA9500B0100	72	19
B3126012000	4	50	CM300200001	4	55	EA9500B0100	76	21
B3126012000	94	49	CM300200001	88	37	EA9500B0100	92	32
B3126012000	96	49	CM300200001	96	78	EA9500B0100	96	73
B3132552000	94	52	CM300200003	52	56	EA9500B0200	6	38
B3132552000	96	52	CM300400601	58	28·29	EA9500B0200	22	23
B4022221D00	44	79	CM300400701	58	28·29	EA9500B0200	92	33
B471122000C	50	8	CM301200001	6	1	G2301309000	94	47
B471122000D	50	9	CM600100101	6	33	G2301309000	96	47
B471122000G	50	10	CM600100101	58	14	G2302309000	94	48
B471122000H	50	11	CM600100101	62	52	G2302309000	96	48
B47152150A0	54	12	CM600100201	74	17	G5430116000	54	17
B47152150A0	64	27	CQ200000000	10	46	G611387500A	10	74
B8111220000	10	85	CQ200000000	26	18	G8124270000	54	14
B8112220000	10	83	CQ200000000	30	69	GAF01007000	16	49
B8117223C00	68	22	CQ303000000	18	3	GAF01007000	30	65
B8118223C00	68	23	CS079073ASH	18	33	GAT23303000	78	53
B8171223C00	68	24	CS0800881TP	22	29	GAT23303000	80	53
B8202205000	10	84	CS0800881TP	90	66	GAW01246000	94	3
B8601WP10A0	74	19	CS0800971TP	26	31	GAW01248000	94	11
B9101490000	74	15	CS1000811SP	28	27	GAW01506000	88	35
B9113012000	74	5	CS100081CSP	28	26	GAW01507000	78	40
B9121012000	10	87	CS1200981TP	44	90	GAW01507000	90	70
B91212200A0	74	9	D1830141EA0	26	1	GAW02105000	78	9
B9140372000	74	6	D2304212T0T	96	55	GAW02106000	78	11
BME01100000	58	25·26	D3129555D00	94	50	GAW02107000	78	13
BME03200000	58	25·26	D3129555D00	96	50	GAW02111000	78	15
BP500000000	26	17	D7133555B00	4	51	GAW02112000	78	19
BT0400251EB	50	18	D8001D15A0Y	72	3	GAW02113000	78	20
BT0400251EB	72	30~32	D8002D15A0Y	72	28	GAW02114000	78	22
BT0400251EB	76	19	D9103555D00	74	1	GAW02115000	78	25
BT0400251EB	98	34	E2131172000	88	54	GAW02116000	78	26
BT0600401EB	54	8	E2131172000	90	54	GAW02121000	78	28
BT0600401EB	76	15	E2678453000	54	23	GAW02122000	78	31
BT0600401EB	96	67	E9567319000	62	41	GAW021220A0	78	30
BT0600401EB	98	48	E9567319000	102	40	GAW02123000	78	33
BT0600401EB	100	48	E9607603000	62	40	GAW02131000	80	52
BT0600401EB	104	48	EA9500B0000	100	60	GAW021310A0	80	51
BT0700500EA	26	19	EA9500B0100	6	37	GAW02132000	80	54

NUMERICAL INDEX OF PARTS

PART NO	PAGE	REF NO.	PART NO	PAGE	REF NO.	PART NO	PAGE	REF NO.
GAW02133000	80	55	GAW023510A0	90	62	GAW028380A0	106	17
GAW02134000	80	59	GAW02352A00	90	64	GAW02852000	80	68
GAW02136000	80	70	GAW02354000	90	69	GAW02852000	106	22
GAW02136000	84	54	GAW02357000	92	24	GAW02854000	88	8
GAW02139000	80	58	GAW02361A00	94	2	GAW02854000	106	24
GAW02140000	80	61	GAW02361AA0	94	1	GAW02855000	84	50
GAW02202A00	82	2	GAW02362A00	94	7	GAW02855000	106	25
GAW02202A00	86	16	GAW02363A00	94	12	GAW028650A0	82	38·39
GAW02203000	82	4	GAW02364A00	94	14	GAW028650A0	106	31
GAW02203000	86	4	GAW02365000	94	16	GAW028660A0	82	38·39
GAW02204A00	82	15	GAW023660A0	94	17	GAW028660A0	106	32
GAW02204A00	86	20	GAW023680A0	94	21	GAW028670A0A	92	11
GAW02205000	82	5	GAW02369000	94	23	GAW028670A0A	106	33
GAW02205000	86	8	GAW02370000	94	24	GEP01013000	72	20
GAW02208000	82	7	GAW02371000	94	34	GPK470010AB	66	57
GAW02208000	86	12	GAW023710A0	94	29	GPK470010AB	76	18
GAW02209000	82	11	GAW02372000	96	53	GSS36020000	98	43
GAW02209000	86	14	GAW023720A0	96	46	HA005820000	58	16
GAW02211000	86	10	GAW02372AA0	94	37	HA005820000	64	13
GAW02211A00	82	9	GAW02373000	94	9	HA006000000	32	19
GAW02213000	82	22	GAW02374000	96	68	HD00057000A	24	48
GAW02213000	86	23	GAW02404000	92	20	HD00057000A	38	17
GAW02221AA0	82	28	GAW02405000	92	22	HD00057000A	42	40
GAW02223000	82	33	GAW02407000	100	51	HD00057000A	64	12
GAW02229000	82	46	GAW02409000	100	56	HD00057000A	94	27
GAW02231000	82	42	GAW02410000	92	18	HD00057000A	106	13
GAW02245000	86	18	GAW02573000	98	17	HF00130315S	58	20~22
GAW02246000	86	22	GAW02601000	78	43	HF0013050P0	58	20~22
GAW02247000	86	29	GAW02603000	88	27	HF003000200	58	20~22
GAW023010B0	88	1	GAW02607000	78	44	HK034610020	32	17
GAW023020A0	88	3	GAW02613000	90	71	HK034610040	54	19
GAW023050A0	88	4	GAW02621000	78	27	HK034640000	54	20
GAW02308000	88	6	GAW02622000	92	30	HK03464000B	32	18
GAW02309000	88	12	GAW02753000	102	9	HK043450060	102	11
GAW02321A00	88	21	GAW02753000	106	6	HK043450060	106	7
GAW02323000	88	24	GAW02761000	102	28	HK096850040	104	59
GAW02324000	88	26	GAW02761000	106	10	HM0003800A0	102	15
GAW02325000	88	53	GAW027620A0	102	29	HN001490000	62	47
GAW02325000	90	53	GAW027620A0	106	11	HW002650330	58	15
GAW02327A00	88	32	GAW02769DA0	102	14	HW200390000	32	20
GAW02328A00	88	34	GAW02769DA0	106	5	HW500070000	32	21
GAW02331000	88	38	GAW027730A0	102	42	HX00065000A	40	57
GAW02332000	88	40	GAW027730A0	106	18	HX00065000B	98	27
GAW02341A00	88	42	GAW02782000	102	13	HX000960000	100	52·54
GAW02343000A	90	48	GAW028380A0	104	51	HX00150000A	6	42

NUMERICAL INDEX OF PARTS

PART NO	PAGE	REF NO.	PART NO	PAGE	REF NO.	PART NO	PAGE	REF NO.
HX00150000A	92	34	M4206461000	60	10	PA0600504A0	94	51
HX00150000A	104	64	M90295800A0	62	53	PA0600504A0	96	51
HX00150000B	68	45	M90345800A0	58	31	PA1001026A0	78	23
HX00150000B	90	74	MAT81163T00	98	46	PA1001027A0	88	43
HX00150000B	98	30	MC372001600	14	37-38	PA1602509A0	50	6
HX00150000C	40	53	MC372001602	74	3-4	PC012401000	50	26
HX00150000C	96	76	MDP170B2300	14	37-38	PC012406000	76	9
HX00150000D	6	35	MDP170B2302	74	3-4	PC012601000	98	36
HX00150000D	90	73	NM3040520SC	60	25	PF0552040B0	54	13
HX00150000D	92	35	NM3050610SF	8	13	PH0300125S0	82	40
HX00150000D	98	32	NM6030001SC	34	24	PH0400122C0	80	80
HX00150000D	102	27	NM6030001SC	98	24	PJ025100002	104	49
HX00150000E	6	41	NM6030002SC	78	18	PJ030520001	54	16
HX00150000E	72	37	NM6030002SC	96	80	PJ042520002	54	25
HX00150000E	76	24	NM6040000SN	2	15	PJ046052503	50	7
HX00150000E	92	36	NM6040001SC	82	49	PJ046052503	78	24
HX00150000E	96	74	NM6040001SC	84	49	PJ046052503	96	57
HX00150000E	98	45	NM6040001SC	102	18	PJ210006200	104	46
HX00150000F	6	34	NM6040001SP	38	9	PJ301040001	98	37
HX00150000H	6	36	NM6040002SE	56	34	PJ301040501	72	13
HX00150000H	68	38	NM6040002SE	80	57	PJ301040505	54	3
HX00150000H	92	37	NM6040002SE	92	10	PJ301060003	54	10
HX00188000D	102	37	NM6040003SC	34	18	PJ301065103	54	6
HX00188000F	102	38	NM6050001SC	32	23	PJ301065103	102	45
HX002330000	50	19	NM6050001SC	96	65	PJ301065201	98	42
HX00252000B	102	39	NM6050001SC	104	61	PJ303040002	72	29
HX00307000D	10	89	NM6050001SE	56	24	PJ303040002	98	38
HX00314000A	72	18	NM6050001SP	38	12	PJ303060001	98	44
HX00326000B	68	26	NM6050001SP	42	37	PJ304060502	82	44
HX00326000G	68	28	NM6060001SC	102	4	PJ304065201	76	4
HX00326000K	62	45	NM6080001SC	60	44	PJ305065107	76	7
HX00326000M	68	27	NM6080001SC	62	44	PJ305065202	54	15
HX003390000	10	64	NM6080001SC	68	37	PJ305065204	76	5
HX003390000	60	18	NM6080002SC	78	35	PJ308040002	72	27
HX003390000	102	21	NM6100001SE	68	15	PJ308040002	76	20
HX00339000D	102	22	NM6120001SE	68	16	PJ308040002	98	39
HX00354000B	58	12	NM6120011SF	8	5	PJ308060004	98	40
HX00364000E	52	53	NM6160001SC	68	17	PJ308060004	104	47
HX003670000	100	52-54	NM6160511SE	96	56	PJ308060005	76	8
HX004070000	60	26	NM6850001SC	92	17	PJ309005203	54	18
HX00410000A	60	32	NS6090310SP	32	22	PJ309040501	90	72
HX005110000	60	39	NS6110310SP	4	48	PS0150065KP	10	67
KM000000480	60	23	NS6110350SP	88	45	PS0150065KP	50	32
M300451100A	58	19	NS6110420SP	94	35	PS0250062KH	8	28
M3801476000	60	6	NS6660430SP	96	54	PS0400141KH	68	29

NUMERICAL INDEX OF PARTS

PART NO	PAGE	REF NO.	PART NO	PAGE	REF NO.	PART NO	PAGE	REF NO.
PS0400142KH	16	47	SB108002300	14	24	SK3512001SE	104	63
PS0400142KH	30	63	SB110000400	28	35	SL4030681SC	58	11
PV010502000	72	12	SB110002400	40	52	SL4030881SC	58	13
PV1351270A0	54	5	SB112000200	30	57	SL4031091SC	24	49
PV135207000	76	3	SB115000600	42	44	SL4031091SC	32	30
PV150209100	54	4	SB117000400	28	2	SL4031091SC	38	18
PV155113000	76	6	SB117000900	42	46	SL4031091SC	42	41
PV915005000	54	2	SB117001000	28	5	SL4031481SC	10	86
PX020002000	72	11	SB117001100	28	14	SL4031681SC	102	12
PX055104000	54	7	SB120000900	14	1	SL4031691SC	76	11
PX055104000	104	50	SB120001700	14	6	SL4032591SC	76	12
PX500014000	72	14	SB120001800	14	4	SL4032591SC	102	43
PX950001000	76	17	SB130000200	44	48	SL4033591SC	102	44
PX950009000	54	22	SB130000300	44	49	SL4040691SC	12	91
RC0100001KP	28	36	SB230000100	78	6	SL4040881SC	60	21
RC0370411KP	32	24	SB306000300	82	8	SL4040891SC	6	30
RC0560711KP	6	21	SB306000300	86	13	SL4040891SC	10	63
RC0650811KP	18	25	SB30700020A	16	64~67	SL4040891SC	54	11
RC1200001KP	30	59	SB30700020B	16	64~67	SL4040891SC	60	38
RC1411018KP	28	25	SB30700020C	16	64~67	SL4040891SC	68	39
RC3781518KP	18	20	SB30700020D	16	64~67	SL4040891SC	72	38
RE0300000K0	50	12	SB31000080A	28	21~24	SL4040891SC	76	25
RE0300000K0	90	50	SB31000080B	28	21~24	SL4040891SC	102	57
RE0320000K0	50	25	SB31000080C	28	21~24	SL4040891SC	104	57
RE0400000K0	6	22	SB31000080D	28	21~24	SL4041081SC	62	51
RE0400000K0	82	26	SB312000600	44	87	SL4041091SC	10	78
RE0400000K0	86	7	SB408000100	22	13	SL4041091SC	60	28
RE0400000K0	94	25	SB412000100	48	3	SL4041091SC	68	46
RE0500000K0	32	25	SB612000100	44	89	SL4041091SC	102	26
RE0600000K0	42	39	SD0550211SP	88	44	SL4041091SE	58	17
RE0600000K0	78	67	SD0800327TP	38	11	SL4043091SC	102	16
RE0600000K0	80	67	SD0800336TP	20	59	SL4043591SC	60	24
RE0700000K0	22	35	SD0800337TP	22	25	SL4051091SC	54	24
RE0900000K0	34	3	SD0800346TP	30	52	SL6030592TN	92	26
SB104001500	94	4	SD0800386TP	18	35	SL6030692TN	80	76
SB104001600	14	21	SD0800387TP	22	40	SL6030692TN	88	33
SB105001500	82	3	SD0800408TP	18	38	SL6030692TN	92	27
SB105001500	86	17	SD0800656TP	20	60	SL6030692TN	94	15
SB106000900	82	24	SD0800746TP	18	10	SL6030692TN	100	55
SB106000900	86	5	SD1000506TP	18	37	SL6030892TN	78	50
SB108000200	80	65	SK3271301SE	68	42	SL6030892TN	80	50
SB108000500	22	26	SK3311601SE	100	47	SL6030892TN	82	18
SB108000500	42	43	SK3311601SE	104	65	SL6030892TN	86	3
SB108000500	78	3	SK3382001SE	94	8	SL6030892TN	88	9
SB108002200	14	20	SK3413201SE	58	35	SL6030892TN	92	31

# NUMERICAL INDEX OF PARTS

PART NO	PAGE	REF NO.	PART NO	PAGE	REF NO.	PART NO	PAGE	REF NO.
SL6030892TN	94	75	SL6062592TN	50	21	SM4055001SF	8	6
SL6030892TN	96	75	SL6062592TN	98	2	SM4061255SP	2	13
SL6031092TN	78	69	SL6063092TN	92	3	SM4061255SP	30	50
SL6031092TN	80	69	SL6082092TN	62	54	SM5040655SN	6	24
SL6031092TN	82	51	SL6083092TN	60	7	SM5040655SN	26	10
SL6031092TN	84	51	SL9061600SF	10	66	SM6021002TN	92	12
SL6031092TN	86	9	SL9061600SF	98	8	SM6030402TN	94	5
SL6031092TN	88	75	SL9082093SE	68	18	SM6030450TP	16	69
SL6031092TN	90	75	SM0030601SC	86	30	SM6030602TN	78	66
SL6031092TN	92	38	SM0030601SC	94	79	SM6030602TN	80	66
SL6031092TN	98	33	SM0030601SC	96	79	SM6030602TP	44	50
SL6031292TN	96	71	SM0030801SC	98	22	SM6030802TN	90	63
SL6031492TN	92	19	SM0051001SC	96	60	SM6030802TN	94	28
SL6031692TN	78	17	SM1030601SP	8	32	SM6031002TP	42	32
SL6031692TN	90	68	SM1040650TP	38	56	SM6031402TP	44	51
SL6040892TN	2	34	SM1040650TP	40	56	SM6040450TP	44	82
SL6040892TN	6	40	SM1040801SP	8	31	SM6040602TP	20	52
SL6040892TN	88	61	SM1040870TP	8	65	SM6040602TP	24	51
SL6040892TN	90	61	SM1040870TP	10	65	SM6040602TP	26	26
SL6040892TN	94	6	SM1040870TP	30	47	SM6040602TP	44	96
SL6041042TN	78	1	SM1040870TP	52	50	SM6040602TP	46	96
SL6041092TN	80	78	SM1041601SC	10	76	SM6040650TP	2	44
SL6041092TN	86	32	SM1061201SN	68	21	SM6040650TP	8	35
SL6041092TN	88	52	SM4030301SC	38	33	SM6040650TP	28	46
SL6041092TN	90	52	SM4030401SC	8	29	SM6040650TP	38	20
SL6041292TN	82	53	SM4030601SN	2	36	SM6040800SP	26	5
SL6041292TN	84	53	SM4030601SN	32	29	SM6040802TP	6	39
SL6041292TN	86	34	SM4040655SP	2	42	SM6040802TP	10	82
SL6041292TN	88	11	SM4040655SP	8	34	SM6040802TP	34	16
SL6041292TN	100	57	SM4040855SP	2	38	SM6040802TP	40	54
SL6041692TN	78	39	SM4040855SP	32	37	SM6040802TP	42	42
SL6041692TN	86	28	SM4041001SC	8	36	SM6040802TP	98	13
SL6041692TN	88	57	SM4041055SP	2	32	SM6040860TP	2	18
SL6041692TN	90	57	SM4041055SP	8	33	SM6040860TP	34	13
SL6042092TN	82	27	SM4041201SC	56	32	SM6040860TP	74	14
SL6042592TN	80	56	SM4041255SP	50	44	SM6041150TP	6	27
SL6042592TN	82	35	SM4041401SC	8	37	SM6041202TP	44	56
SL6051092TN	28	38	SM4042501SC	56	33	SM6041402TN	10	70
SL6051292TN	76	16	SM4050855SP	32	38	SM6041402TP	24	54
SL6051292TN	96	66	SM4051001SN	8	14	SM6041602TP	14	40
SL6051492TN	28	33	SM4051055SP	2	29	SM6050652TP	44	77
SL6051692TN	104	54	SM4051255SP	44	70	SM6050800SP	44	85
SL6052592TN	14	41	SM4051405SE	56	23	SM6050800SP	52	58
SL6062092TN	92	2	SM4051655SP	26	11	SM6050802TP	10	72
SL6062092TN	102	2	SM4051655SP	40	50	SM6050802TP	22	45

# NUMERICAL INDEX OF PARTS

PART NO	PAGE	REF NO.	PART NO	PAGE	REF NO.	PART NO	PAGE	REF NO.
SM6051000SP	50	16	SM8040402TP	80	62	SS1060210TP	38	26
SM6051002TN	98	15	SM8040402TP	88	13	SS1110640TP	18	30
SM6051002TP	44	65	SM8040412TP	4	54	SS2090640TP	88	22
SM6051002TP	50	23	SM8040412TP	32	26	SS6090910SP	18	41
SM6051202TP	44	67	SM8040412TP	82	14	SS6111210SP	72	7~10
SM6051402TN	104	60	SM8040412TP	86	26	SS7111120TP	72	4~6
SM6051402TP	42	11	SM8040412TP	88	5	SS7111810TP	18	42
SM6051402TP	48	9	SM8040502TP	28	67	SS8110410TP	18	34
SM6051602TP	28	12	SM8040502TP	30	67	SS8110520TP	28	28
SM6051602TP	44	71	SM8040612TP	80	71	SS8660522TP	26	35
SM6051602TP	48	6	SM8040612TP	84	55	SS8660612TP	28	8
SM6051802TP	50	37	SM8040802TP	6	26	SS8660612TP	42	36
SM6052002TP	74	21	SM8041012TP	98	6	SS9151240SN	8	8
SM6052502TP	44	60	SM8050412TP	22	43	TA0550604R0	20	61
SM6053052TN	44	59	SM8050412TP	28	19	TA0550604R0	28	31
SM6060802TP	50	29	SM8050412TP	44	73	TA0750404R0	10	48
SM6061010TP	30	53	SM8050412TP	52	48	TA0750404R0	18	21
SM6061202TP	8	42	SM8050412TP	90	67	TA0850604R0	2	23
SM6061402TP	18	24	SM8050502TP	6	25	TA1050504R0	2	24
SM6061602TP	50	41	SM8050502TP	78	42	TA2100904R0	2	10
SM6061802TP	22	21	SM8050512TP	26	32	TA2100904R0	10	75
SM6061802TP	38	46	SM8050592TP	38	22	TA2351004R0	2	27
SM6062502TN	52	54	SM8050592TP	44	91	WP0220301SC	92	13
SM6062502TP	98	3	SM8050612TP	26	7	WP0320500SC	38	34
SM6087002TN	62	55	SM8050612TP	44	75	WP0320501SC	32	31
SM6450610TP	10	55	SM8050812TP	50	22	WP0320501SC	98	23
SM6450610TP	98	11	SM8050812TP	78	29	WP0320501SD	44	98
SM6850802TN	78	74	SM8060552TP	46	95	WP0320501SD	46	98
SM6850802TN	80	74	SM8060602TP	22	19	WP0330501SB	8	38
SM6850802TN	88	59	SM8060602TP	48	8	WP0430800SC	20	54
SM6850802TN	90	59	SM8060612TP	28	16	WP0430800SD	42	45
SM6851602TN	92	16	SM8060802TP	44	63	WP0430801SC	34	10
SM7030450SC	10	71	SM8060812TP	14	3	WP0430801SC	82	47
SM7751160TP	20	51	SM8060812TP	18	66	WP0430801SC	84	47
SM8030302TP	78	21	SM8060812TP	20	66	WP0430801SC	92	8
SM8030302TP	88	25	SM8060812TP	22	34	WP0430801SC	94	26
SM8030302TP	92	21	SM8060812TP	28	30	WP0430801SC	102	24
SM8030312TP	82	36	SM8060812TP	38	14	WP0450000SD	8	40
SM8030312TP	86	24	SM8060812TP	44	64	WP0450000SD	50	45
SM8030312TP	94	36	SM8061612TP	14	36	WP0450801SD	2	39
SM8030412TP	16	63	SM8061612TP	36	47	WP0450801SD	8	39
SM8030412TP	34	7	SM8480652TP	22	10	WP0450801SD	72	7~10
SM8030602TP	78	10	SM9087533SC	68	31	WP0450801SP	10	58
SM8040310SS	16	53	SM9124503SB	8	7	WP0450801SP	32	39
SM8040402TP	78	62	SM9129013SB	68	19	WP0450801SP	98	12



NUMERICAL INDEX OF PARTS

PART NO	PAGE	REF NO.	PART NO	PAGE	REF NO.
WP0450826SC	6	23	WP1612616SE	56	15
WP0450846SP	10	49	WS0210002KN	92	14
WP0450846SP	24	52	WS0410002KN	84	48
WP0450846SP	38	44	WS0410002KN	92	9
WP0482086SD	32	34	WS0410002KN	102	23
WP0510516SD	34	45	WS0451040KP	4	52
WP0520656SA	10	73	WS0451040KP	72	7~10
WP0520656SA	22	38	WS0510002KN	56	21
WP0522016SH	22	39	WS0610002KP	50	38
WP0531000SD	26	12	WS0820002KN	60	34
WP0531000SD	28	13	WS0820002KN	68	35
WP0531000SD	38	16	WS0820002KN	78	37
WP0531000SD	42	93	WS1220002KN	68	11
WP0531000SD	44	93	WS1253010KN	8	11
WP0531000SD	46	93	WT0430001KN	104	58
WP0531000SD	48	12	WZ0850302K0	22	28
WP0531000SD	50	51			
WP0531000SD	52	51			
WP0531001SC	32	40			
WP0531001SC	56	22			
WP0531001SC	96	64			
WP0531001SC	98	16			
WP0531001SC	104	62			
WP0553216SD	72	7~10			
WP0561616SC	8	9			
WP0611626SP	18	9			
WP0611626SP	50	39			
WP0612066SP	98	4			
WP0641600SC	50	55			
WP0641600SC	52	55			
WP0641601SC	8	43			
WP0641601SC	102	3			
WP0641601SD	30	54			
WP0651001SC	40	47			
WP0820516SP	14	15			
WP0841601SC	60	56			
WP0841601SC	62	56			
WP0841601SC	68	33			
WP0841601SC	78	36			
WP0850002SP	22	14			
WP1021016SD	28	37			
WP1221016SP	18	27			
WP1221016SP	30	58			
WP1302501SC	68	10			
WP1302501SE	8	10			