

MODEL : MCS-1500

List No : 6043-00

# PARTS LIST

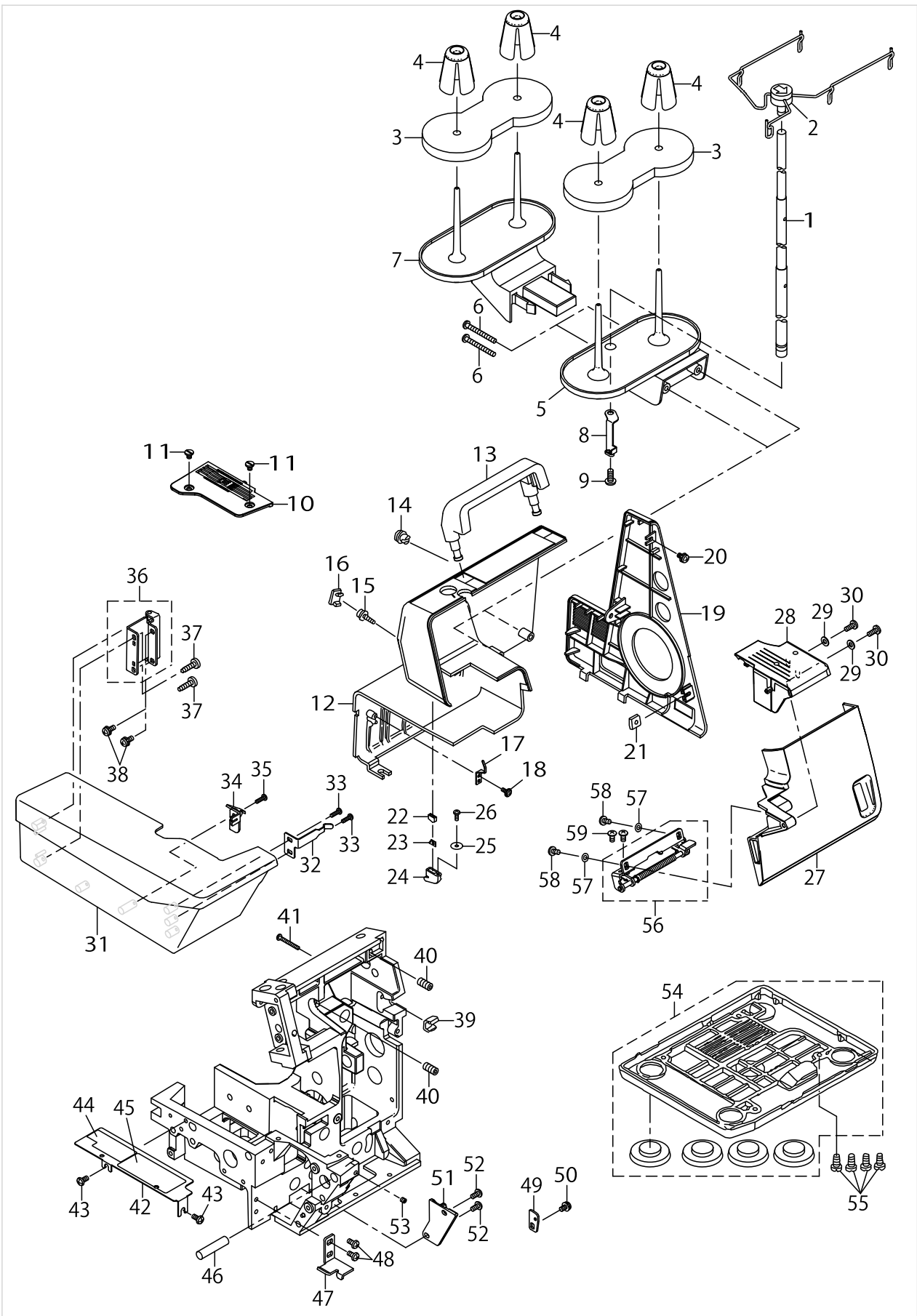
Published:05/12/2017

## CONTENTS

---

FRAME COMPONENTS .....	1
MAIN SHAFT COMPONENTS .....	5
NEEDLE BAR & PRESSER FOOT COMPONENTS.....	7
TENSION RELEASE COMPONENTS .....	11
FEED MECHANISM COMPONENTS.....	13
CHAIN LOOPER COMPONENTS.....	19
LOOPER THREAD TENSION COMPONENTS .....	23
NEEDLE THREAD TENSION COMPONENTS .....	25
LAMP, MOTOR & CONTROLLER COMPONENTS.....	29
ACCESSORIES PARTS & OPTION COMPONENTS.....	31
HOW TO MAKE USE OF THIS PARTS LIST .....	33

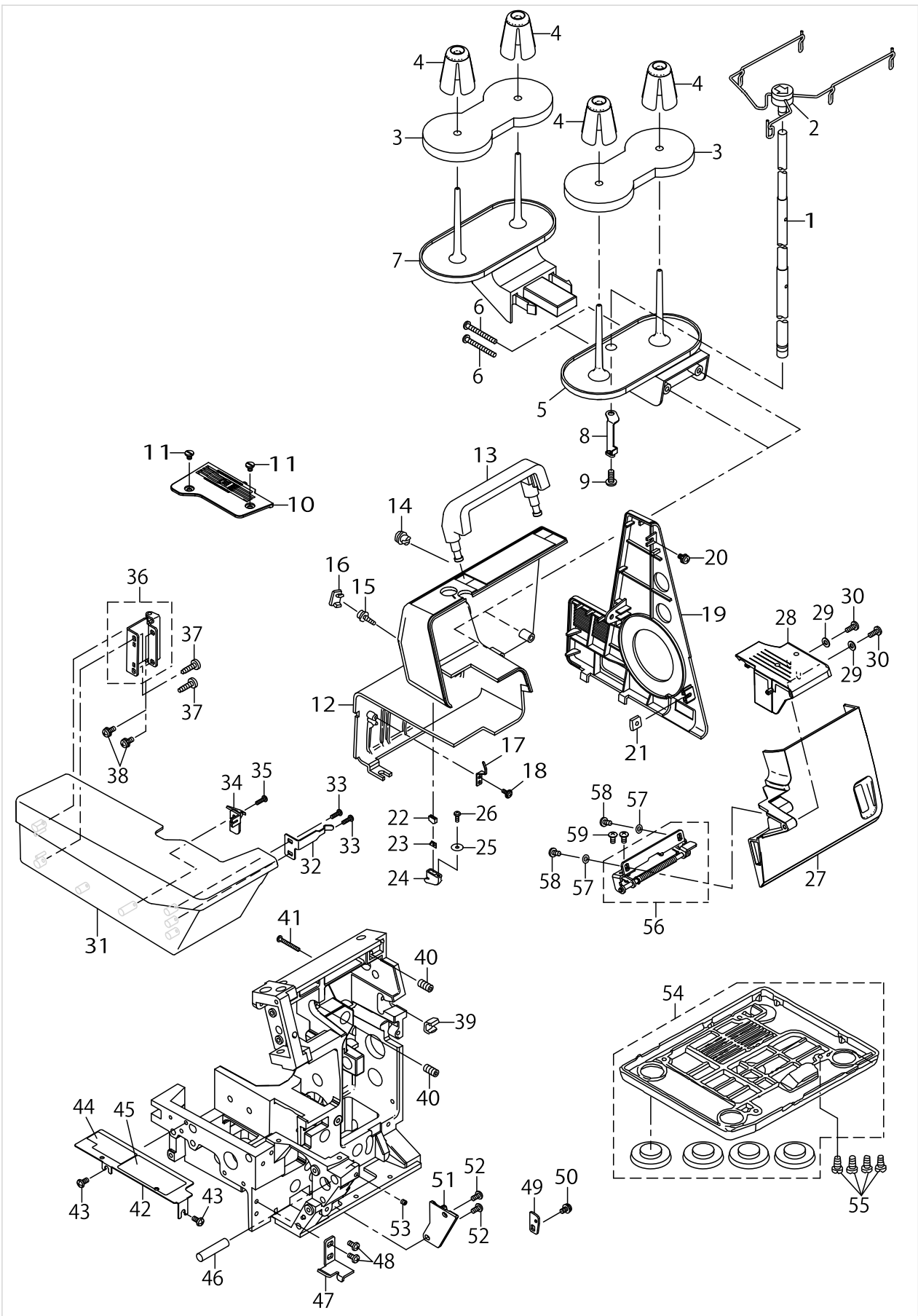
FRAME COMPONENTS



FRAME COMPONENTS

No.	Supply Code	Parts No.	Replacement	Parts name	Remarks	Choice	Step	Level	Cons	Qty	Rep. QTY
1		40082787		THREAD_GUIDE_POST_L						1	
2		40122701		ASSY_SPOOL_THREAD_GUIDE						1	
3		A1121202000		SPOOL REST CUSHION						2	
4		A1120202000		SPOOL RETAINER						4	
5		A1118644000A		SPOOL HOLDER						1	
6		SM5043755SC		SCREW						2	
7		A1119644000A		SPOOL HOLDER (B)						1	
8		A11213150A0A		SPOOL HOLDER TH- READ GUIDE ASM.						1	
9		SM5051255SN		SCREW						1	
10		40122000		THROAT PLATE						1	
11		A1138335000		THROAT PLATE SETSCREW						2	
12		40131485		REAR_COVER						1	
13		A1145523000		HANDLE						1	
14		A1124644000		COVER CAP A						1	
15		SL5031031SN		SCREW						1	
16		A1146644000		COVER CAP B						1	
17		A1147535000		THREAD GUIDE						1	
18		ST5030851SN		SCREW M5X8						1	
19		A1103C09000		BELT COVER						1	
20	D	SL4040831SF		SCREW M4 L=8						1	
21		A3151535000		FRONT COVER NUT						1	
22		A11399DC000B		THREAD CUTTER HOLDER						1	
23		A3120031000		THREAD CUTTER BLADE						1	
24		A11389DC000		THREAD CUTTER BASE PLATE						1	
25		WP0320501SC		WASHER M3						1	
26		ST5030851SN		SCREW M5X8						1	
27		40174063		LOOPER_COVER_MCS1500						1	
28		40121988		SUPPORT BED ASSY						1	
29		WP0430801SC		WASHER M4						2	
30		ST5041051SN		SCREW						2	
31		A1104523000A		CLOTH PLATE						1	
32		A1160524000		CLOTH PLATE STOPPER SPRING						1	
33		ST5031051SN		TAPPING SCREW						2	
34		A21549DC000		RELEASE PLATE						1	
35		ST5031051SN		TAPPING SCREW						1	
36		A11615350A0		CLOTH PLATE HINGE ASM.						1	
37		ST5041051SN		SCREW						2	
38		SL4040855SN		SCREW M4 L=8						2	
39		A3150535000		FRONT COVER ASM. PLATE						1	
40		SM8050842TP		SETSCREW						2	
41		SM5032555SE		SCREW M3 L=25						1	
42		A1135535000		OP COVER						1	
43		SM5040855SN		SCREW						2	
44		A9196524000		CAUTION LABEL						1	
45		40122010		LOOPER_THREADING_CHART						1	
46		A4125655000		GUIDE SHAFT						1	

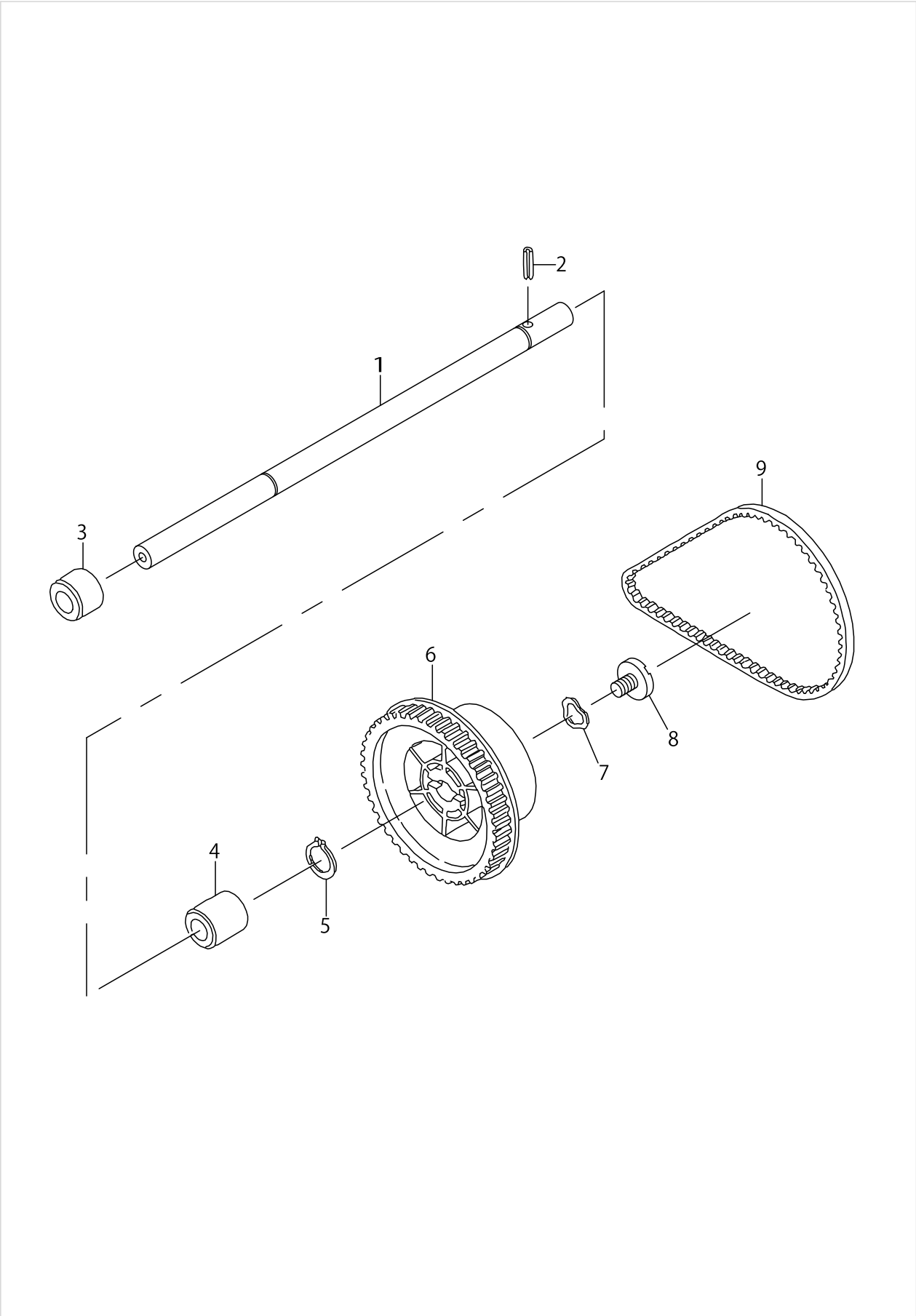
FRAME COMPONENTS



FRAME COMPONENTS

No.	Supply Code	Parts No.	Replacement	Parts name	Remarks	Choice	Step	Level	Cons	Qty	Rep. QTY
47		A1164535000		CLOTH PLATE PRE-SSER PLATE (G)						1	
48		SM5040855SN		SCREW						2	
49		A2538554000		PLATE						1	
50		SL4040855SN		SCREW M4 L=8						1	
51		A1156523000		LOOPER COVER GUIDE						1	
52		SM4040855SN		SCREW M4 L=8						2	
53		SM8040402TP		SCREW M4X0.7 L=4						2	
54		A11025340A0A		BASE PLATE ASM.						1	
55		SM5051255SN		SCREW						4	
56		A11535030AC		LOOPER COVER HINGE ASM.						1	
57		WP0430801SC		WASHER M4						2	
58		ST5041051SN		SCREW						2	
59		SM5040855SN		SCREW						2	

MAIN SHAFT COMPONENTS

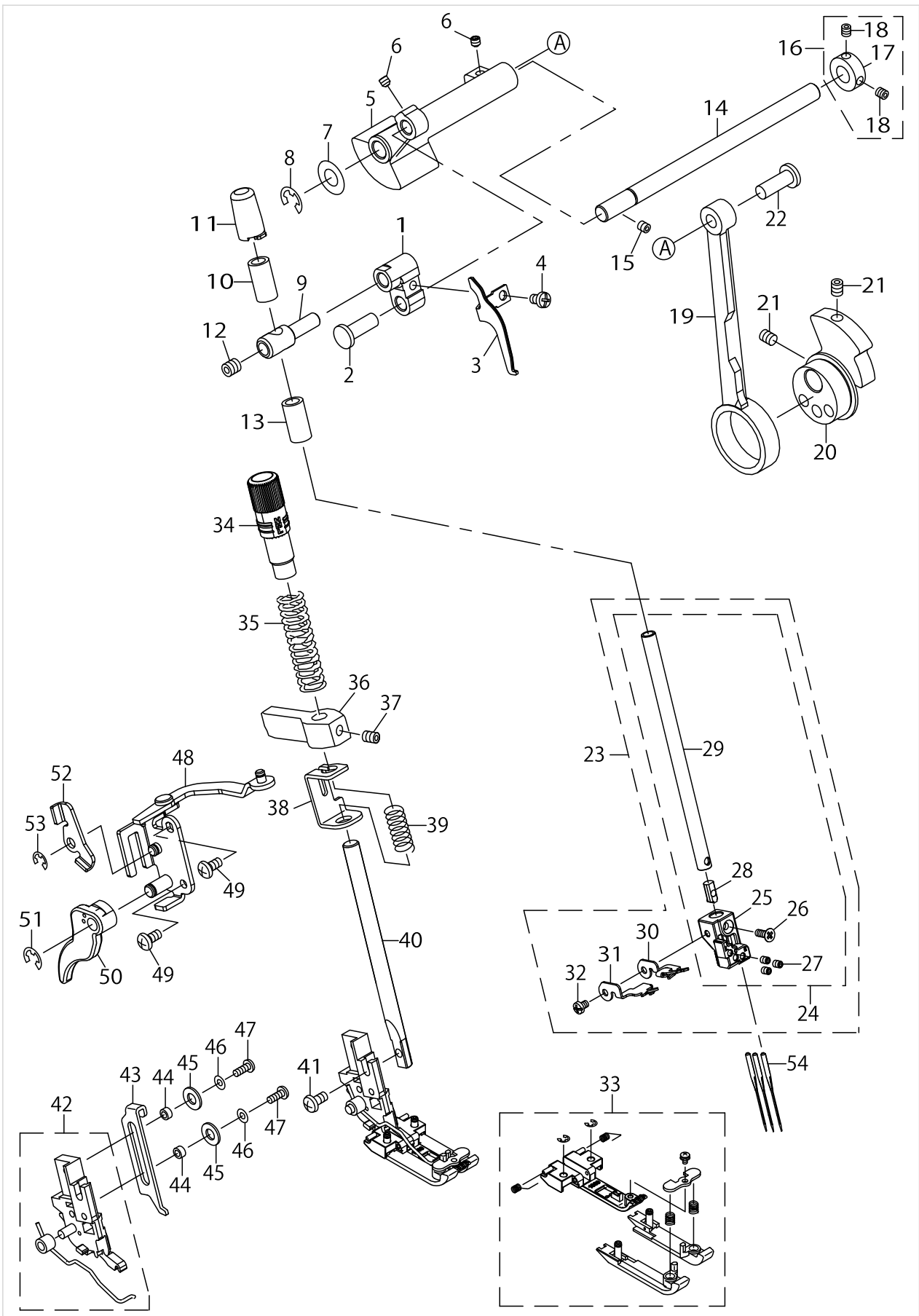


MAIN SHAFT COMPONENTS

No.	Supply Code	Parts No.	Replacement	Parts name	Remarks	Choice	Step	Level	Cons	Qty	Rep. QTY
1		40071774		MAIN SHAFT						1	
2	R	PS0400222KP	PS0400222K0	SPRING PIN						1	1.00
3		A1206335000		MAIN SHAFT BUSHING FRONT						1	
4		A1206202000		MAIN SHAFT BUSHING						1	
5		A1206102000		C RING						1	
6		A1202113000		HAND WHEEL						1	
7		A1206535000		HANDWHEEL WASHER						1	
8		A1230500000A		HANDWHEEL SETSCREW						1	
9		A1205634000		TIMING BELT						1	



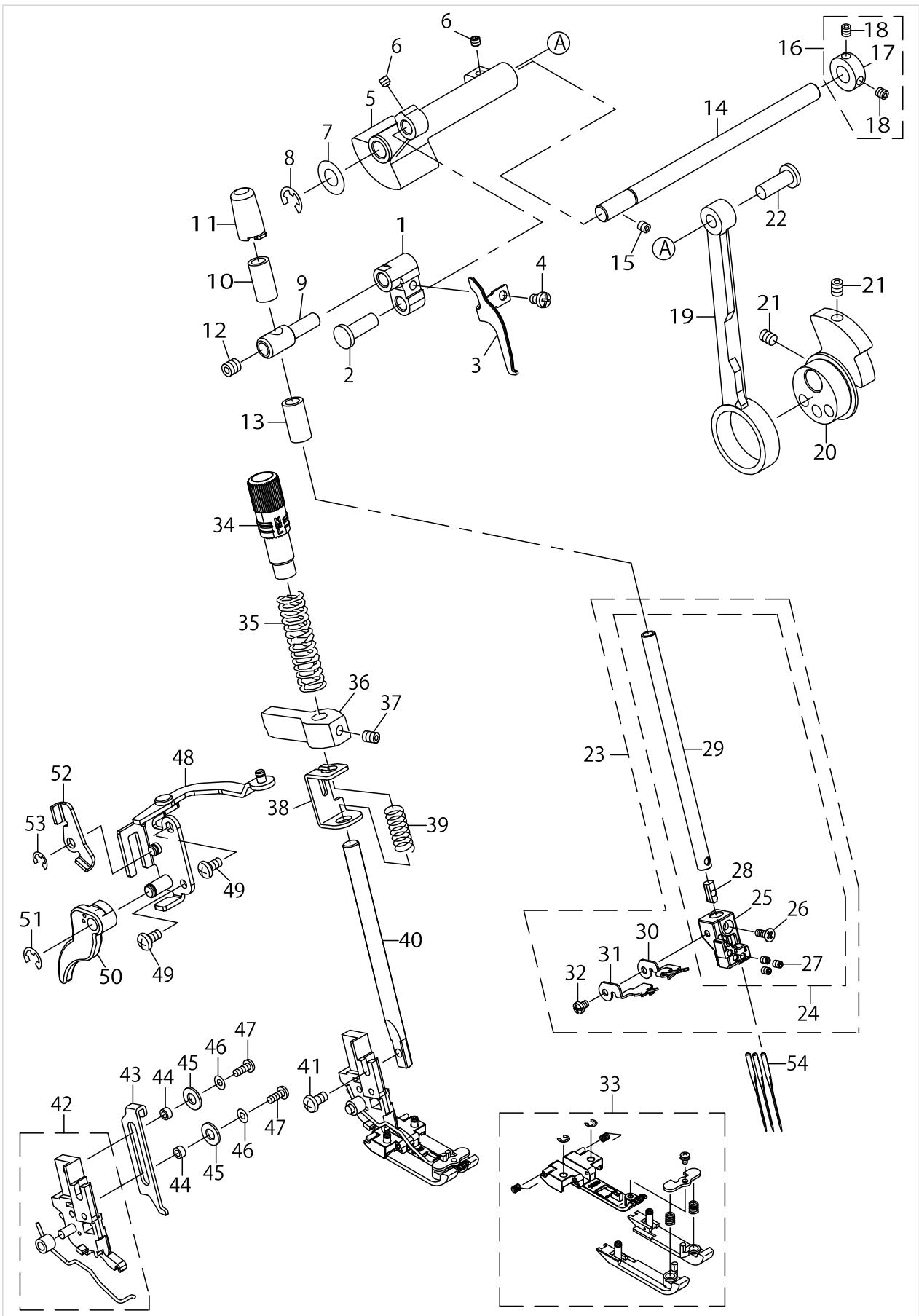
NEEDLE BAR & PRESSER FOOT COMPONENTS



NEEDLE BAR & PRESSER FOOT COMPONENTS

No.	Supply Code	Parts No.	Replacement	Parts name	Remarks	Choice	Step	Level	Cons	Qty	Rep. QTY
1		A1412535000		NEEDLE BAR LINK						1	
2		A1403102000		CONNECTING PIN						1	
3		A1412130000		NEEDLE THREAD TAKE-UP						1	
4		SM5030555SC		SCREW						1	
5		A1402535000		NEEDLE BAR CRANK						1	
6		SM8040402TP		SCREW M4X0.7 L=4						2	
7		WP0820516SP		WASHER 11.6X8.2X0.6						1	
8		RE0600000K0		E-RING 6						1	
9		A1411335000		CLOTH PLATE FIXING SPRING						1	
10		A1407102000		NEEDLE BAR BUSHING, LOWER						1	
11		A1415523000		NEEDLE BAR CAP						1	
12		SM8060602TP		SCREW M6X6						1	
13		A1407102000		NEEDLE BAR BUSHING LOWER						1	
14		A1404535000		NEEDLE BAR DRIVING SHAFT						1	
15		SM8040402TP		SCREW M4X0.7 L=4						1	
16		A14145020A0		THRUST COLLAR ASM.						1	
17		A1414502000		THRUST COLLAR				*		1	
18		SM8040402SP		SCREW				*		2	
19		A1403335000A		NEEDLE BAR CRANK ROD						1	
20		A1401535000A		NEEDLE BAR DRIVING CAM						1	
21		SM8050602TP		SCREW M5 L=6						1	
22		A1403102000		CONNECTING PIN						1	
23		40121997		ALL_ASSY_NEEDLE BAR						1	
24		40121998		ASSY_NEEDLE BAR				*		1	
25		40121999		NEEDLE_CLANP				*		1	
26		SM1030801SN		SCREW M3X0.5 L=8				*		1	
27	R	40125265	40121998	SCREW_M3X5				*		3	1.00
28		40123324		NEEDLE_BAR_STOPPER				*		1	
29		40123323		NEEDLE_BAR				*		1	
30		40121972		NEEDLE BAR THREAD GUIDE				*		1	
31		40127196		NEEDLE BAR THREAD GUIDE_B				*		1	
32		SM4030455SN		SCREW				*		1	
33		40122001		ALL ASSY COVER STITCH FOOT						1	
34		40139206		PRESSER_ADJUST_SCREW						1	
35		A1501C09000		PRESSER BAR SPRING						1	
36		A1502C09000		PRESSER BAR GUIDE BRACKET						1	
37		SM8050402TP		SCREW						1	
38		A1522110000		PRESSER LIFT PLATE						1	
39		A1523110000		SPRING						1	
40		A1507C09000		PRESSER BAR						1	
41		SM5040855SN		SCREW						1	
42	R	A1514C090B0B	A1551C090C0A	PRESSER FOOT SHANK ASM.						1	1.00
43		A1520130000		LINK						1	
44		A152111000C		PRESSER FLOAT LINK COLLAR						2	
45		WP0531001SC		WASHER M5						2	
46		WP0320501SC		WASHER M3						2	

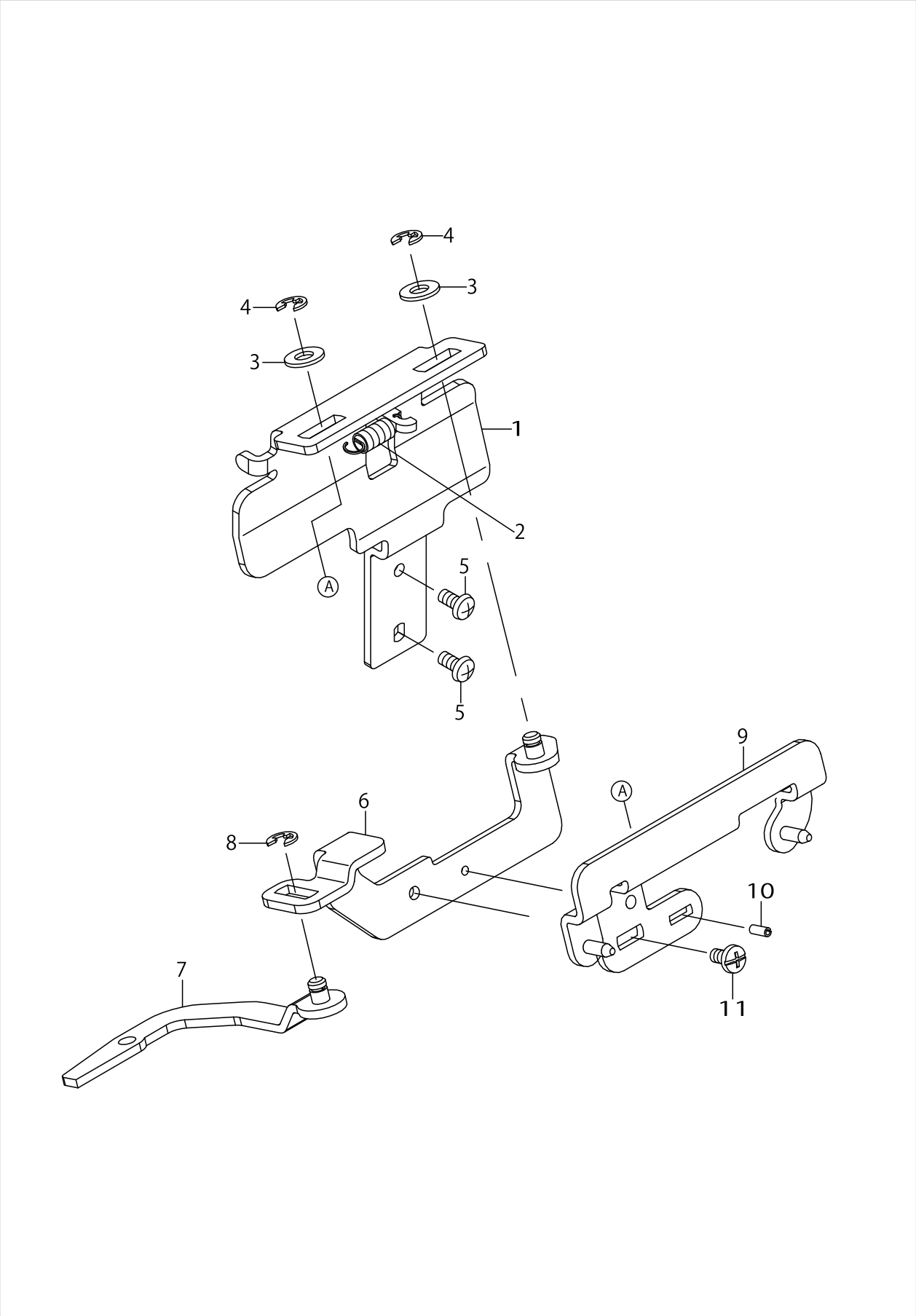
NEEDLE BAR & PRESSER FOOT COMPONENTS



NEEDLE BAR & PRESSER FOOT COMPONENTS

No.	Supply Code	Parts No.	Replacement	Parts name	Remarks	Choice	Step	Level	Cons	Qty	Rep. QTY
47		SM5030855SN		SCREW						2	
48		A15049DC0B0		HANDLIFTING LEVER R INSTLLING BASE ASM.						1	
49		SM4040855SN		SCREW M4 L=8						2	
50		40127201		LIFTING LEVER						1	
51		RE0500000K0		E-RING						1	
52		A15729DC000		THR.TENS.RELEASE DRIVING ARM						1	
53		RE0400000K0		E-RING 4						1	
54		MC221500800		NEEDLE(130/705H 15X1H)#80						3	

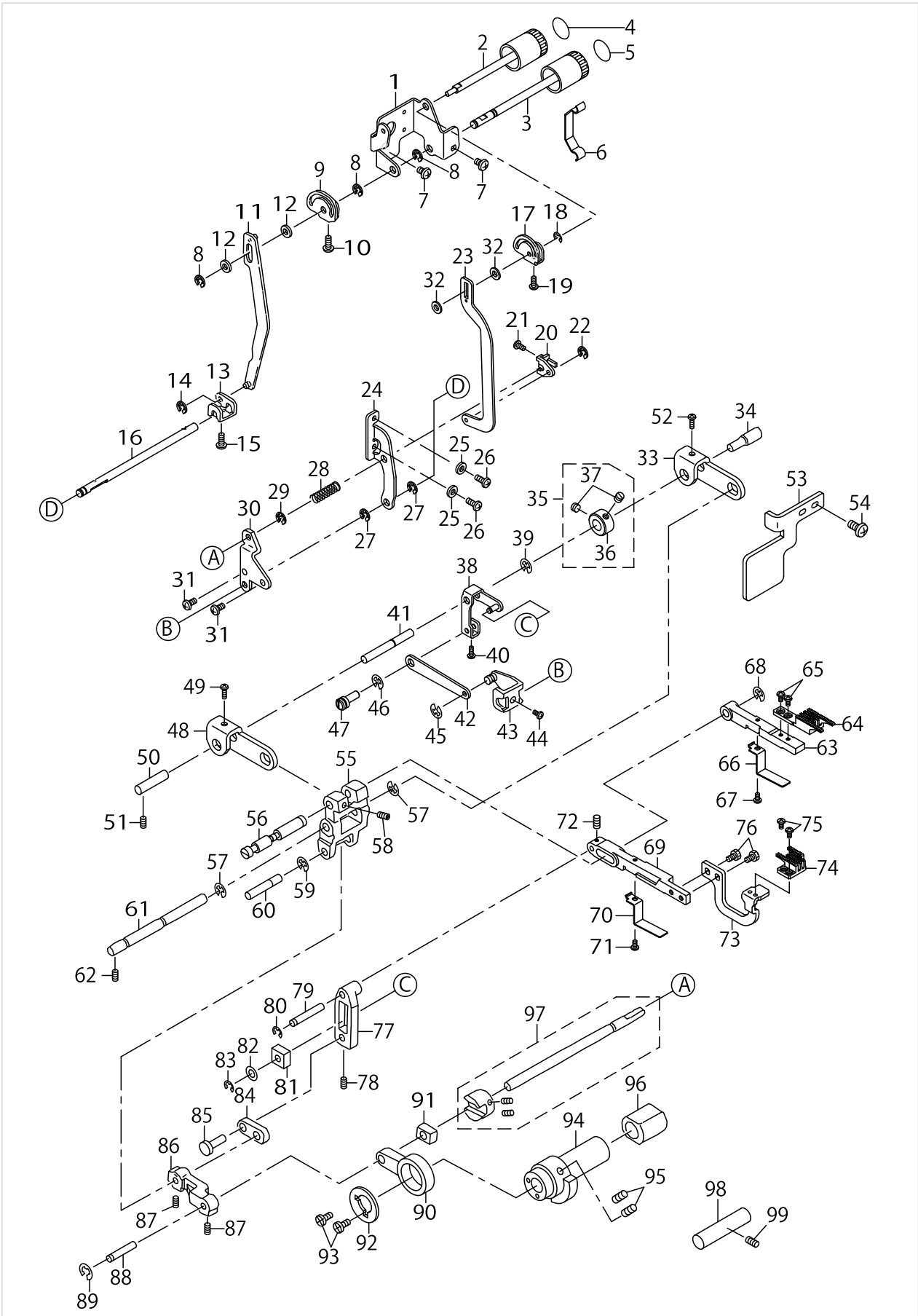
TENSION RELEASE COMPONENTS



TENSION RELEASE COMPONENTS

No.	Supply Code	Parts No.	Replacement	Parts name	Remarks	Choice	Step	Level	Cons	Qty	Rep. QTY
1		A15789DC000		THR TENS REL MO- VING LINK BASE						1	
2		A15779DC000		SPRING						1	
3		WP0430801SC		WASHER M4						2	
4		RE0300000K0		E-RING 3						2	
5		SM5030655SF		SCREW M3 L=6						2	
6		40121981		THR TENS RELEASE ADJ ARM ASSY						1	
7		A15739DC0A0		THR TENS RELEASE LINK ASM.						1	
8		RE0300000K0		E-RING 3						1	
9		40121983		THR TENS REL MO- VING LINK ASSY						1	
10		PS0200052KP		SPRING PIN TYPE W 2X5						1	
11		SM5030655SF		SCREW M3 L=6						1	

FEED MECHANISM COMPONENTS

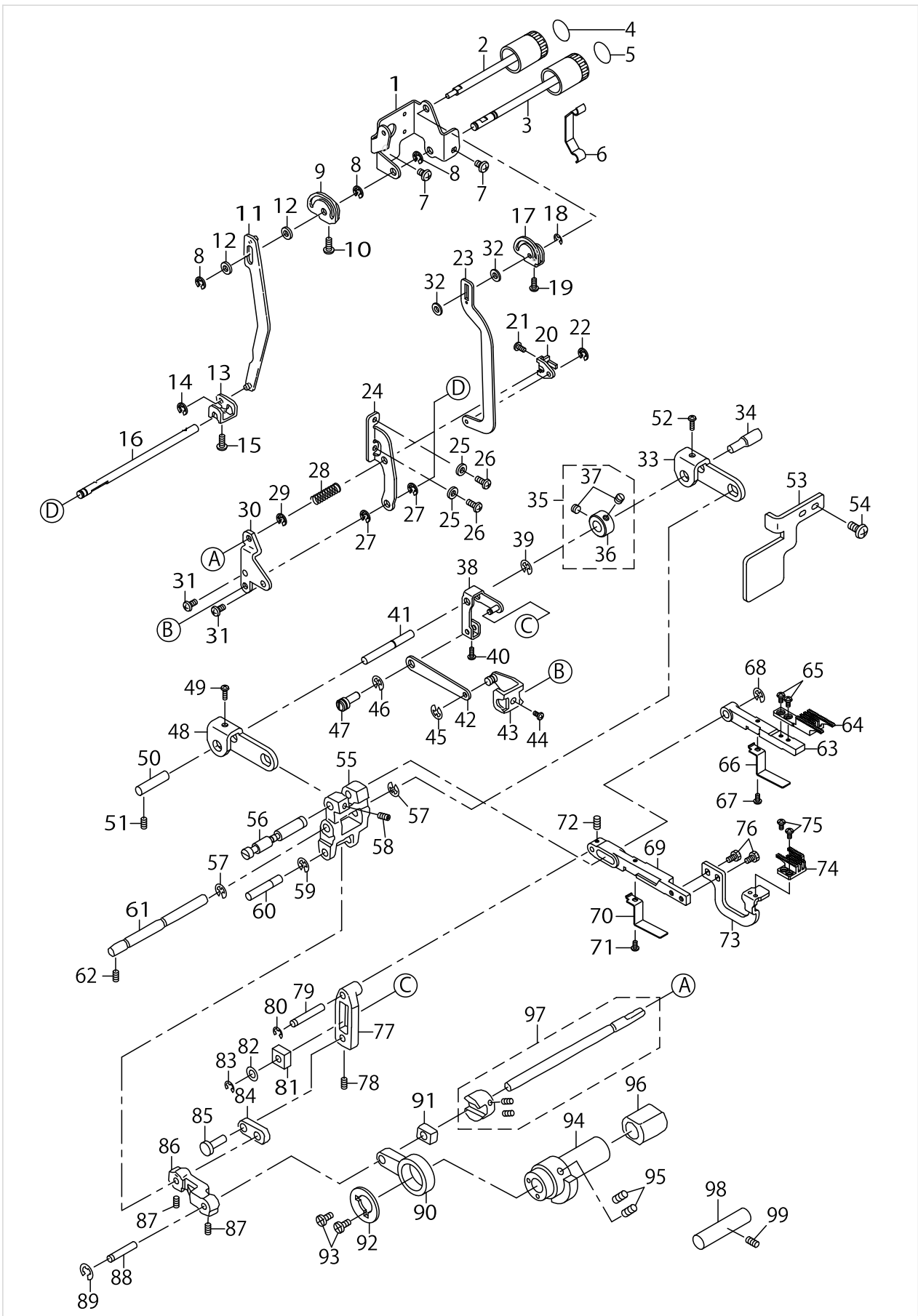


FEED MECHANISM COMPONENTS

No.	Supply Code	Parts No.	Replacement	Parts name	Remarks	Choice	Step	Level	Cons	Qty	Rep. QTY
1		A16109DC000		ADJUSTING KNOB BASE PLATE						1	
2		A1601556D00B		MAIN FEED ADJUSTING KNOB						1	
3		A1602534D00B		DIFFERENTIAL FEED ADJUSTING KNOB						1	
4		A160365DE00		SEAL						1	
5		A1604534D00A		LABEL DIFFERENTIAL FEED						1	
6		A1611655000		KNOB HOLDING PLATE						1	
7		SM5040655SN		SCREW						2	
8		RE0400000K0		E-RING 4						3	
9		A1615534D00		DIFFERENTIAL FEED ADJUSTING CAM						1	
10		SM5030855SN		SCREW						1	
11		A1620534DA0		DIFFERENTIAL FEED ADJUSTING LINK ASM.						1	
12		A1614534D00		COLLAR						2	
13		A1655534D00		DIFFERENTIAL FEED ADJUSTING ARM C						1	
14		RE0300000K0		E-RING 3						1	
15		SM5030655SN		SCREW M3X0.5 L=6						1	
16		A1662655000A		SHAFT						1	
17		A1613655000		MAIN FEED ADJUSTING CAM						1	
18		RE0400000K0		E-RING 4						1	
19		SM5030855SN		SCREW						1	
20		A1630534D00		MAIN FEED ADJUSTING ARM						1	
21		SM5030655SN		SCREW M3X0.5 L=6						1	
22		RE0300000K0		E-RING 3						1	
23		A16196550A0		MAIN FEED ADJUSTING LINK ASM.						1	
24		A1634655000A		FEED ADJ.SHAFT S-UPPORT PLATE						1	
25		WP0430801SC		WASHER M4						2	
26		SM5041055SN		SCREW M4X10						1	
27		RE0500000K0		E-RING 5						2	
28		A1633534D00		SPRING						1	
29		RE0500000K0		E-RING 5						1	
30		A1635534D00		FEED ADJUSTING BEARING						1	
31		SM5041055SN		SCREW M4X10						1	
32		A1614655000		WASHER						2	
33		A1660534D00A		DIF.FEED SHAFT HOLDER						1	
34		A1664655000		DIFFERENTIAL FEED SHAFT B						1	
35		A16637760A0		FULCRUM SHAFT COLOR ASM.						1	
36		A1663776000		FULCRUM SHAFT COLOR					*	1	
37		SM8030302TP		SCREW M3X0.5 L=3					*	2	
38		A16618000A0		DIFFERENTIAL FEED ADJUSTING ARM A ASM.						1	
39		RE0500000K0		E-RING						1	
40		SM5030855SN		SCREW						1	
41		A1659534D00A		SHAFT						1	
42		A1653776000		DIF.FEED ADJUSTING LINK A						1	
43		A1657534DA0		DIF.FEED ADJUSTING ARM B ASM.						1	
44		SM5030655SN		SCREW M3X0.5 L=6						1	



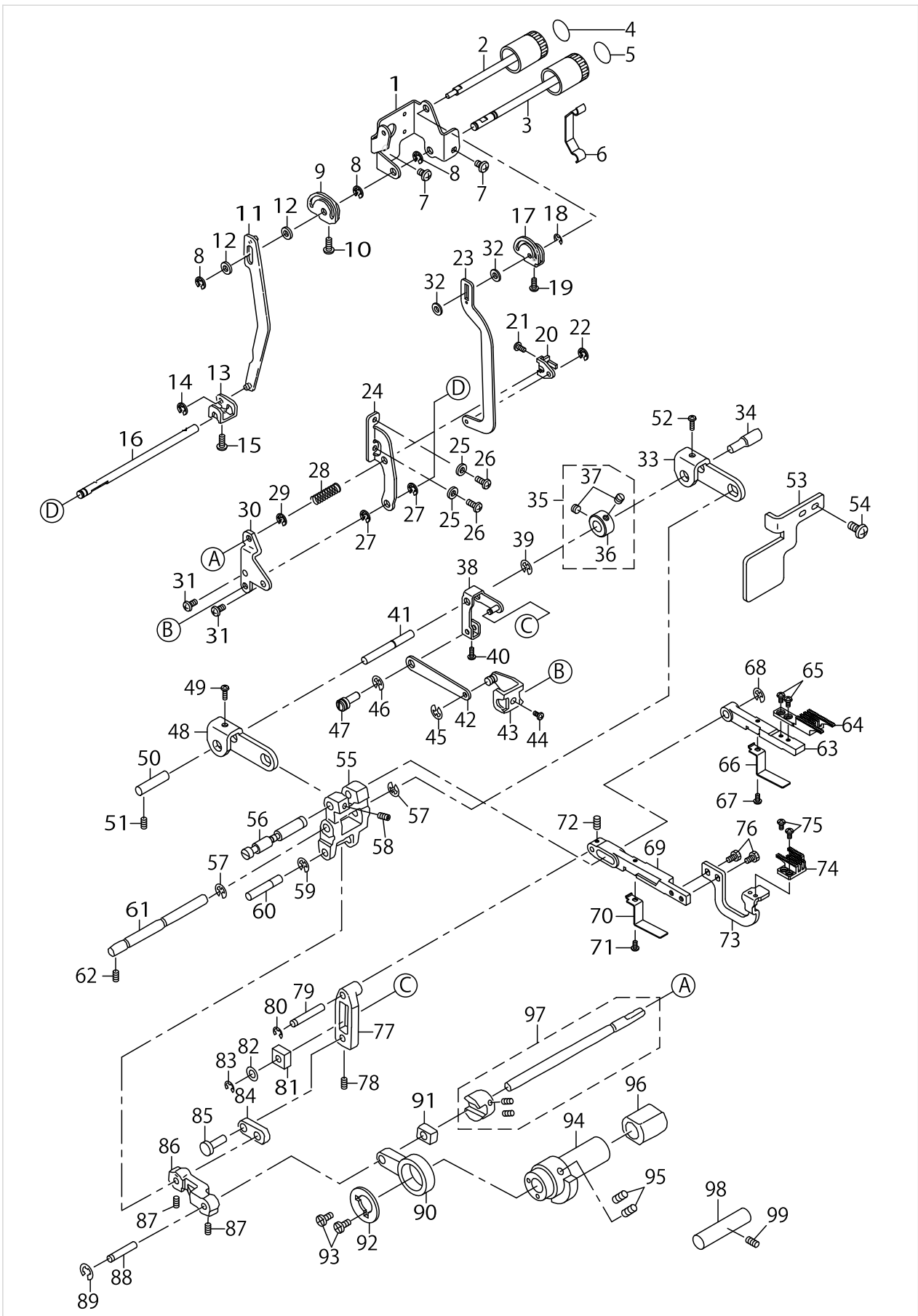
FEED MECHANISM COMPONENTS



FEED MECHANISM COMPONENTS

No.	Supply Code	Parts No.	Replacement	Parts name	Remarks	Choice	Step	Level	Cons	Qty	Rep. QTY
45		RE0300000K0		E-RING 3						1	
46		RE0500000K0		E-RING 5						1	
47		A1654776000A		ECCENTRIC PIN						1	
48		A1660534D00A		DIF.FEED SHAFT HOLDER						1	
49		SM5031001SE		SCREW M3 L=10						1	
50		A1663534D00		DIF.FEED SHAFT A						1	
51		SM8040402TP		SCREW M4X0.7 L=4						1	
52		SM5031001SE		SCREW M3 L=10						1	
53		A1613535000		FEED BASE GUIDE PLATE						1	
54		SM4040655SN		SCREW M4X0.7 L=6						1	
55		A1645534D00		MAIN FEED ARM						1	
56		A1646534D00		BASE SUPPORTING SHAFT						1	
57		RE0500000K0		E-RING						1	
58		SM8040402TP		SCREW M4X0.7 L=4						1	
59		RE0400000K0		E-RING 4						1	
60		A1641534D00		SHAFT						1	
61		A1647534D00		MAIN FEED SHAFT						1	
62		SM8040402TP		SCREW M4X0.7 L=4						1	
63		A1625800000		FEED BASE						1	
64		A1627C09000		MAIN FEED DOG						1	
65		SM4030655SP		SCREW						1	
66		A1616030Z00		SPRING						1	
67		SM4030655SP		SCREW						1	
68		RE0500000K0		E-RING						1	
69		A1639800000		DIFFERENTIAL FEED BASE						1	
70		A1616030Z00		SPRING						1	
71		SM4030655SP		SCREW						1	
72		SM8030302TP		SCREW M3X0.5 L=3						1	
73		A1648655000		DIFFERENTIAL FEED DOG FITTING BASE						1	
74		A1642C09000		DIFFERENTIAL FEED DOG						1	
75		SM4030655SP		SCREW						2	
76		SM9040700SP		HEXAGONAL BOLT						2	
77		A1651534D00		DIFFERENTIAL FEED ARM						1	
78		SM8030402TP		SCREW M3X0.5 L=4						1	
79		A1665534D00		SHAFT						1	
80		RE0300000K0		E-RING 3						1	
81		A1652534D00		DIFFERENTIAL FEED SLIDE BLOCK						1	
82		WP0430801SC		WASHER M4						1	
83		RE0300000K0		E-RING 3						1	
84		A1650534D00		DIFFERENTIAL FEED LINK						1	
85		A2529335000		UPPER LOOPER ARM PIN						1	
86		A1640534D00		MAIN FEED LINK						1	
87		SM8030402TP		SCREW M3X0.5 L=4						1	
88		A1639534D00		SHAFT						1	
89		RE0400000K0		E-RING 4						1	
90		A1616534D00		MAIN FEED ROD						1	

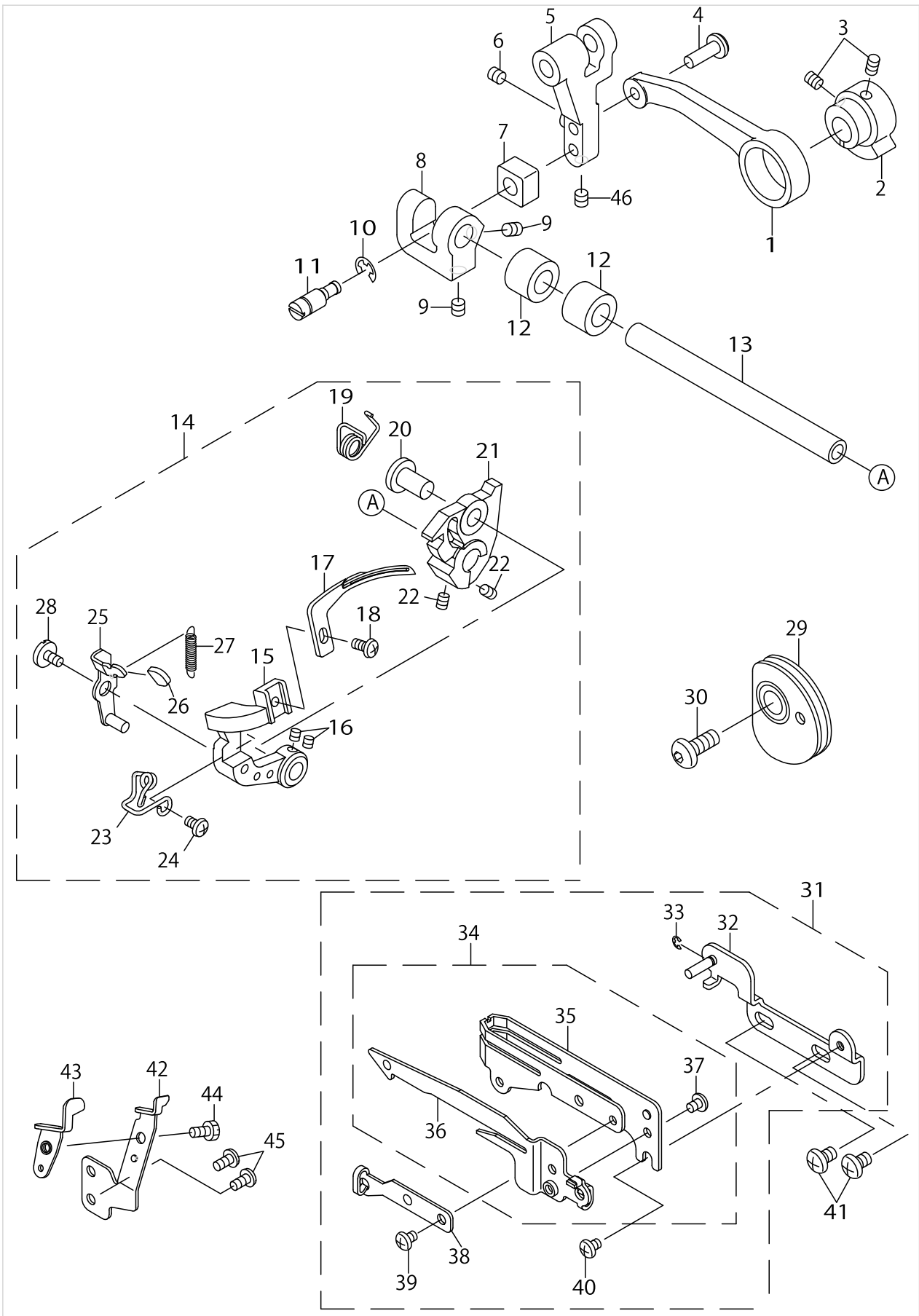
# FEED MECHANISM COMPONENTS



FEED MECHANISM COMPONENTS

No.	Supply Code	Parts No.	Replacement	Parts name	Remarks	Choice	Step	Level	Cons	Qty	Rep. QTY
91		A1638776000		MAINFEEDMAINFEED						1	
92		A1618534D00		THRUST PLATE						1	
93		A1618534D0A		SCREW						2	
94		A1617534D00A		MAIN FEED CAM						1	
95		SM8040612TP		SCREW M4 L=6						2	
96		A1630535000		VERTICAL FEED SLIDE BLOCK						1	
97		A1637534DA0		FEED REGULATOR ASM.						1	
98		A1612535000		FEED BASE GUIDE ROD						1	
99		SM8040402TP		SCREW M4X0.7 L=4						1	

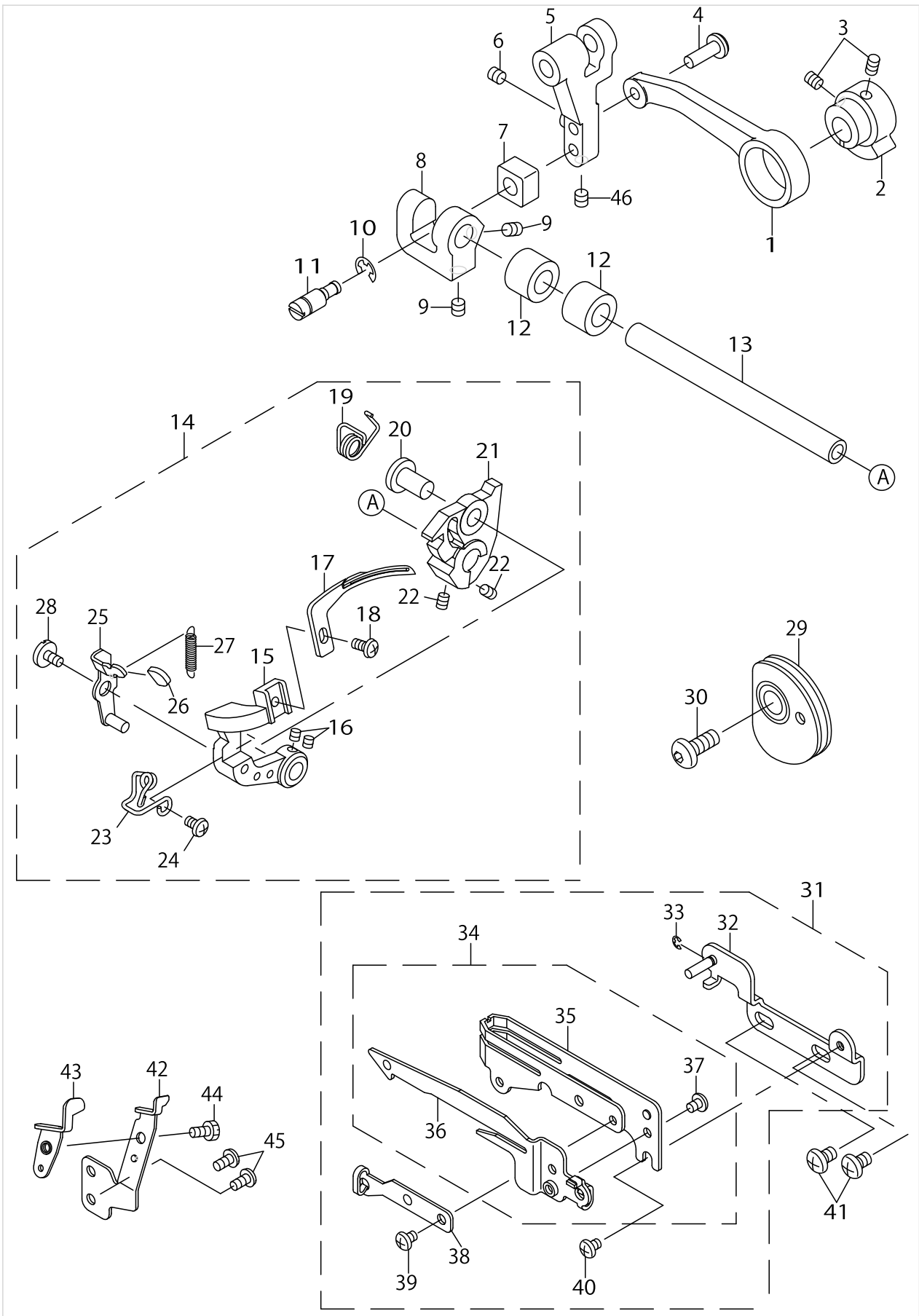
# CHAIN LOOPER COMPONENTS



CHAIN LOOPER COMPONENTS

No.	Supply Code	Parts No.	Replacement	Parts name	Remarks	Choice	Step	Level	Cons	Qty	Rep. QTY
1		A2105535000		CHAIN STITCHING LENGTHWISE						1	
2		A21039DC000		DOUBLE-CHAIN OSC.CAM						1	
3		SM8040412TP		SET SCREW M4 L=4						2	
4		A2529335000		UPPER LOOPER ARM PIN						1	
5		A2114535000		CHAIN STITCHING LENGTHWISE						1	
6		SM8040402TP		SCREW M4X0.7 L=4						1	
7		A2116535000		CHAIN STITCHING SLIDING BLOCK						1	
8		A2113535000A		CHAIN STITCHING HOLD BLOCK						1	
9		SM8040402TP		SCREW M4X0.7 L=4						2	
10		RE0400000K0		E-RING 4						1	
11		A2115655000		CHAIN STITCHING SLIDING BLOCK						1	
12		A1675335000		HORI. FEED SHAFT METAL FRONT						2	
13		A2107655000		CHAIN LOOPER SHAFT						1	
14		40122704		ALL_ASSY_DOUBLE_- CHAIN_LOOPER						1	
15		A21519DC000A		D-CHAIN LOOPER SUPPORTING ARM A				*		1	
16		SM8030302TP		SCREW M3X0.5 L=3				*		2	
17		A21099DC000		D-CHAIN LOOPER				*		1	
18		SM5030655SN		SCREW M3X0.5 L=6				*		1	
19		A2158655000		SPRING				*		1	
20		A2155655000A		D-CHAIN LOOPER SUPPORTING SHAFT				*		1	
21		A21529DC000		D-CHAIN LOOPER SUPP.ARM B				*		1	
22		SM8040602TP		SCREW M4X0.7 L=6				*		2	
23		A21659DC000		LOOPER MIDDLE THREAD GUIDE				*		1	
24		SM5030555SC		SCREW				*		1	
25		A21536550A0		D-CHAIN LOOPER SUPP.ARM LATCH ASM.				*		1	
26		A116731500AA		THREAD SLIPPER CAP				*		1	
27		A2159655000		SPRING				*		1	
28		A2156655000		SCREW				*		1	
29		40121975		CHAIN LOOPER TAKE UP ASSY						1	
30		A2138335000		SCREW						1	
31		A21309DC0B0		LOOPER TAKE-UP GUIDE MAS.ASM.						1	
32		A21326550A0		D-CHAIN LOOP.TA- TE-UP BASE PLATE ASM.				*		1	
33		RE0200000K0		E-RING 2				*		1	
34		A21306550A0		D-CHAIN LOOP.TA- TE-UP GUIDE(1) ASM.				*		1	
35		A2130655000		D-CHAIN LOOP.TATE-UP GUIDE(1)				*		1	
36		A21316550A0		TAKE-UP GUIDE(2)ASM.				*		1	
37		SM0030401SC		SCREW M3 L=4				*		1	
38		A21349DC000		LOWER THREAD GUIDE PLATE				*		1	
39		SM4030455SN		SCREW				*		1	
40		SM4030455SN		SCREW				*		1	
41		SM4040655SN		SCREW M4X0.7 L=6						2	
42		A21619DC000		NEEDLE GUARD (BACK)						1	
43		A21609DC000		NEEDLE GUARD (FRONT)						1	
44	D	SM9030650SN		SCREW						1	

# CHAIN LOOPER COMPONENTS

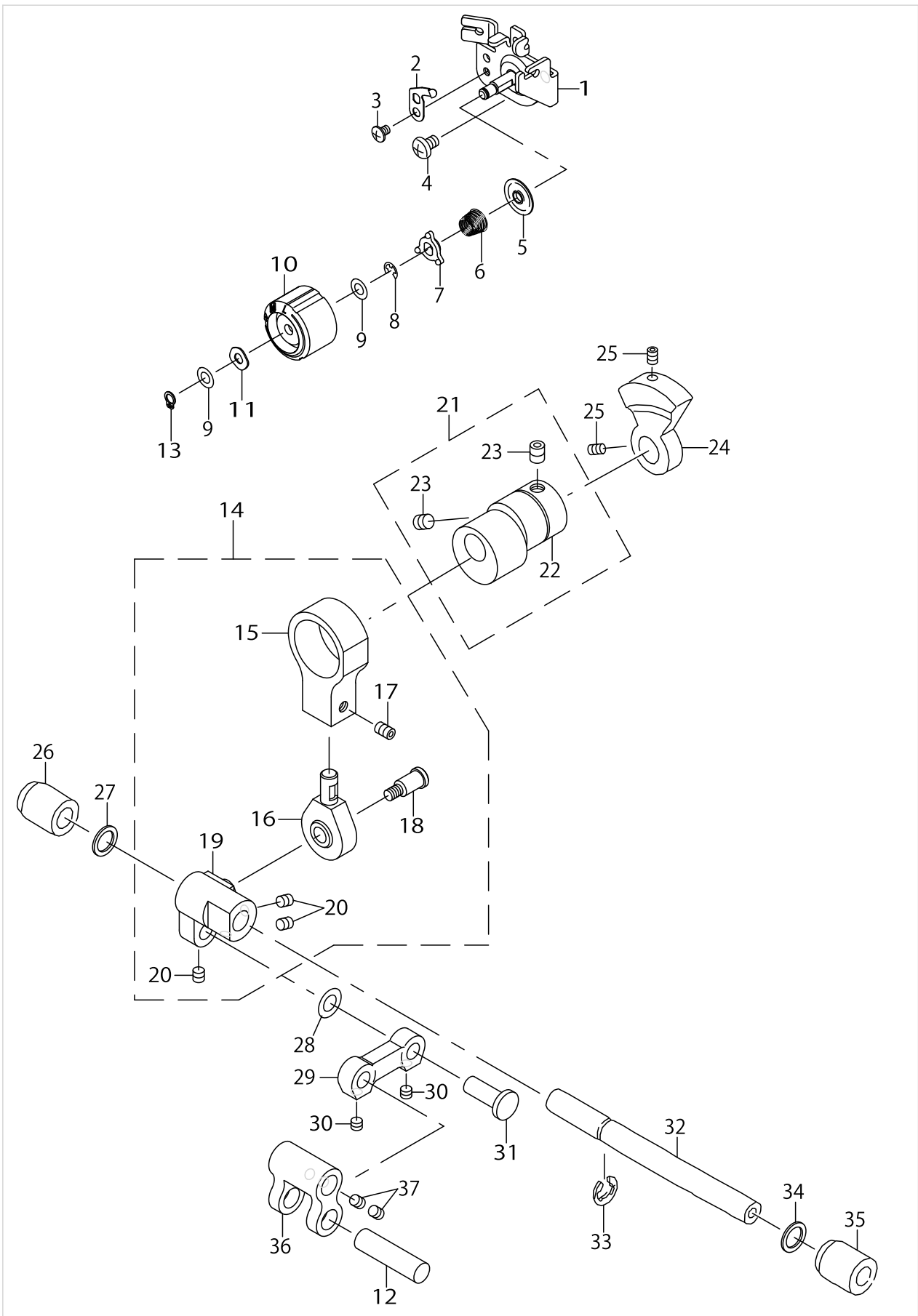


CHAIN LOOPER COMPONENTS

No.	Supply Code	Parts No.	Replacement	Parts name	Remarks	Choice	Step	Level	Cons	Qty	Rep. QTY
45		SM5030655SN		SCREW M3X0.5 L=6						2	
46		SM8040402TP		SCREW M4X0.7 L=4						1	



# LOOPER THREAD TENSION COMPONENTS



LOOPER THREAD TENSION COMPONENTS

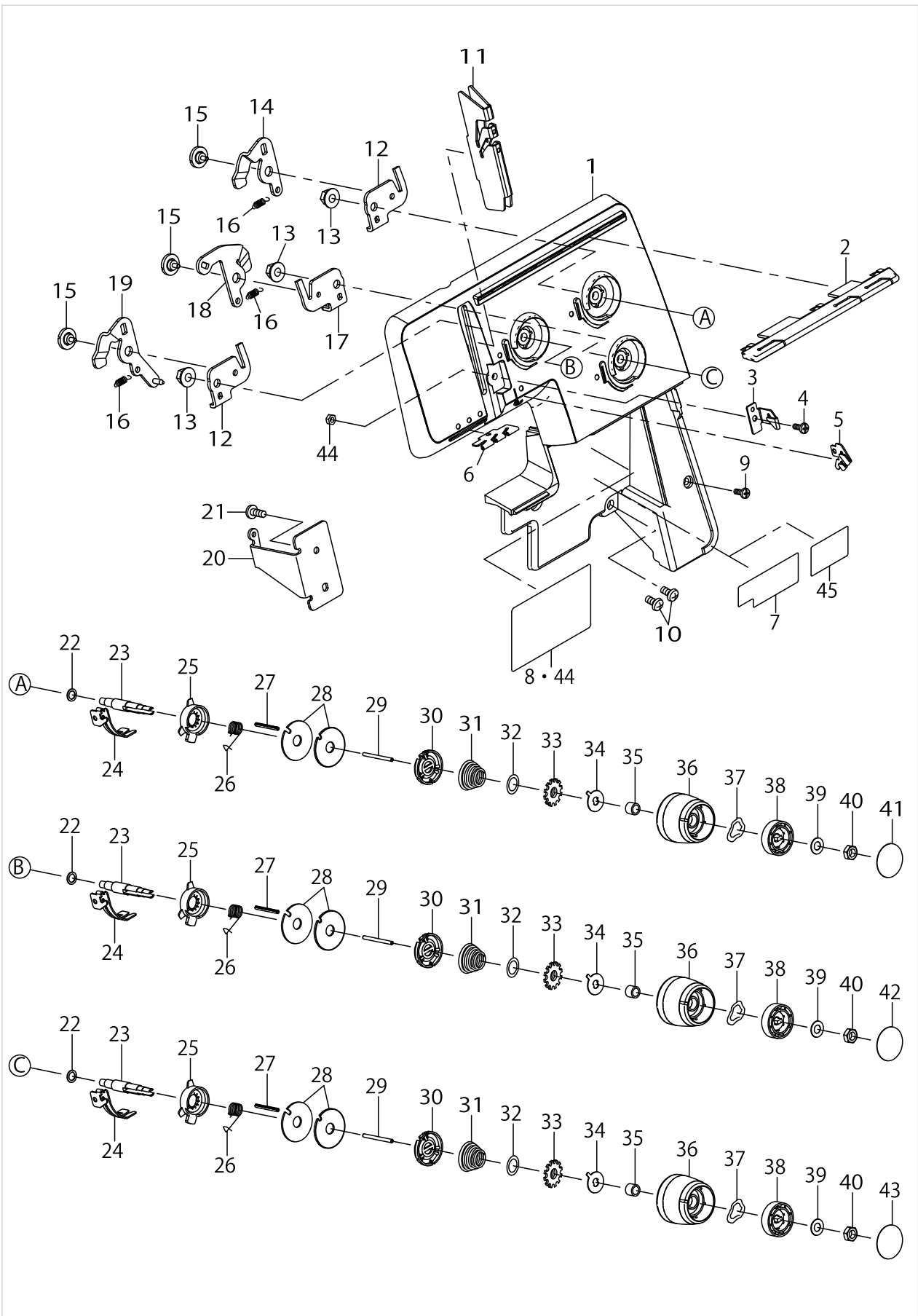
No.	Supply Code	Parts No.	Replacement	Parts name	Remarks	Choice	Step	Level	Cons	Qty	Rep. QTY
1		A21409DC0A0		UNDER THREAD BASE PLATE ASM.						1	
2		A21439DC000		U.THR.TENS.DIAL LATCH SPRING						1	
3		SM0030401SC		SCREW M3 L=4						1	
4		SM4040655SN		SCREW M4X0.7 L=6						1	
5		A21459DC000		LOOPER THREAD TENSION DISC						1	
6		40133733		SPRING						1	
7		A21429DC000		UNDER THR.TENS.S-PRING P. PLATE						1	
8		RE0300000K0		E-RING 3						1	
9		WP0430801SC		WASHER M4						2	
10		A21469DC000B		UNDER THREAD TENSION DIAL						1	
11		A1424777000		WASHER						1	
12		A2111335000		CHAIN LOOPER SLIDE SHAFT						1	
13		A3139776000		C-RING						1	
14		A25159DC0A0		LOWER LOOPER ROD ASM.						1	
15		A2515534000A		LOWER LOOPER ROD				*		1	
16		A2503776000		CONNECTING ROD				*		1	
17		SM8040602TP		SCREW M4X0.7 L=6				*		1	
18		A2504776000		CONNECTING SCREW				*		1	
19		A25169DC000		LOOPER DRIVING ARM				*		1	
20		SM8040402TP		SCREW M4X0.7 L=4				*		3	
21		40079646		LOWER LOOPER CAM ASM.						1	
22		A251453400C		40079646				*		1	
23		SM8050612TP		SCREW M5X6				*		2	
24		A2550534000C		LOOPER BALANCER						1	
25		SM8030612TP		SET SCREW						2	
26		A2112204000		SUB FEED ADJUSTING METAL						1	
27		WP0820516SP		WASHER 11.6X8.2X0.6						1	
28		WP0641600SD		WASHER M6						1	
29		A2101535000		CHAIN LOOPER ROCKING ROD						1	
30		SM8040402TP		SCREW M4X0.7 L=4						2	
31		A1403102000		CONNECTING PIN						1	
32		A25219DC000		LOOPER SHAFT						1	
33		RE0600000K0		E-RING 6						1	
34		WP0820516SP		WASHER 11.6X8.2X0.6						1	
35		A2112204000		SUB FEED ADJUSTING METAL						1	
36		A21029DC000		DOUBLE-CHAIN OSC.ARM						1	
37		SM8040402TP		SCREW M4X0.7 L=4						2	



NEEDLE THREAD TENSION COMPONENTS

No.	Supply Code	Parts No.	Replacement	Parts name	Remarks	Choice	Step	Level	Cons	Qty	Rep. QTY
1	R	40121995	40121993	FRONT COVER						1	1.00
2		40122707		ALL_ASSY_1ST_THREAD_GUIDE						1	
3		40127197		THREAD_GUIDE_A						1	
4		SM5030855SN		SCREW						1	
5		40127198		THREAD_GUIDE_B						1	
6		40121973		NEEDLE THREAD GUIDE						1	
7		A9196524000		CAUTION LABEL	FOR FOREIGN					1	
8		40122008		THREADING_CHART	FOR FOREIGN					1	
9		SM5030855SN		SCREW						1	
10		SM5040855SN		SCREW						2	
11		40122705		ASSY_NEEDLE_THR- TAKE_UP_GUIDE						1	
12		A31209DC000		TENS RELEASE CAM FITTING PLATE						2	
13		A31039DC000		NUT						3	
14		A31219DC000A		TENS.RELEASE CAM						1	
15		A31229DC000		SCREW						3	
16		A31239DC000		SPRING						3	
17		40121980		TENS RELEASE CAM BASE PLATE R						1	
18		40121979		TENSRELEASECAMR						1	
19		40122709		TENS RELEASE CAM L ASSY						1	
20		A3154534D00		FRONT COVER 1ST HOLDER						1	
21		ST5041051SN		SCREW						1	
22		WP0510516SD		WASHER 5.1X7.5X0.5						3	
23		A31029DC000		THREAD TENSION SHAFT						3	
24		A3121502000		THREAD TENSION THRAD GUIDE				*		3	
25		A3120535000		THR.HOLDING SPRI- NG BASE PLATE						3	
26		A3103535000		THR.HOLDING SPRING						3	
27		PS0200202KP		SPRING PIN						3	
28		A3910634000B		TENSION DISC						6	
29		A31249DC000A		PIN						3	
30		A31109DC000		THR.TENS.DISC PRESSER						3	
31		A3903634000		SPRING						3	
32		A3158535000		THREAD ADJUSTING SPRING WASHER						3	
33		A3134634000		TENSION NUT						3	
34		A31119DC000		TENS.DIAL POS.PLATE						3	
35		A31059DC000		COLLAR						3	
36		A31049DC000B		THR.TENS.ADJ.DIAL						3	
37		A3106202000		WAVED WASHER						3	
38		A31089DC000		THR.TENS.DIAL PRESSER PLATE						3	
39		A31099DC000		WASHER						3	
40		NM6050003SC		NUT M5X0.8 TYPE3						3	
41		40174068		NEEDLE_THREAD_T- ENSION_SEAL_M						1	
42		40174066		NEEDLE_THREAD_TENSION_SEAL_L						1	
43		40174070		NEEDLE_THREAD_TENSION_SEAL_R						1	
44		40174171		THREADING_CHART	FOR JP					1	

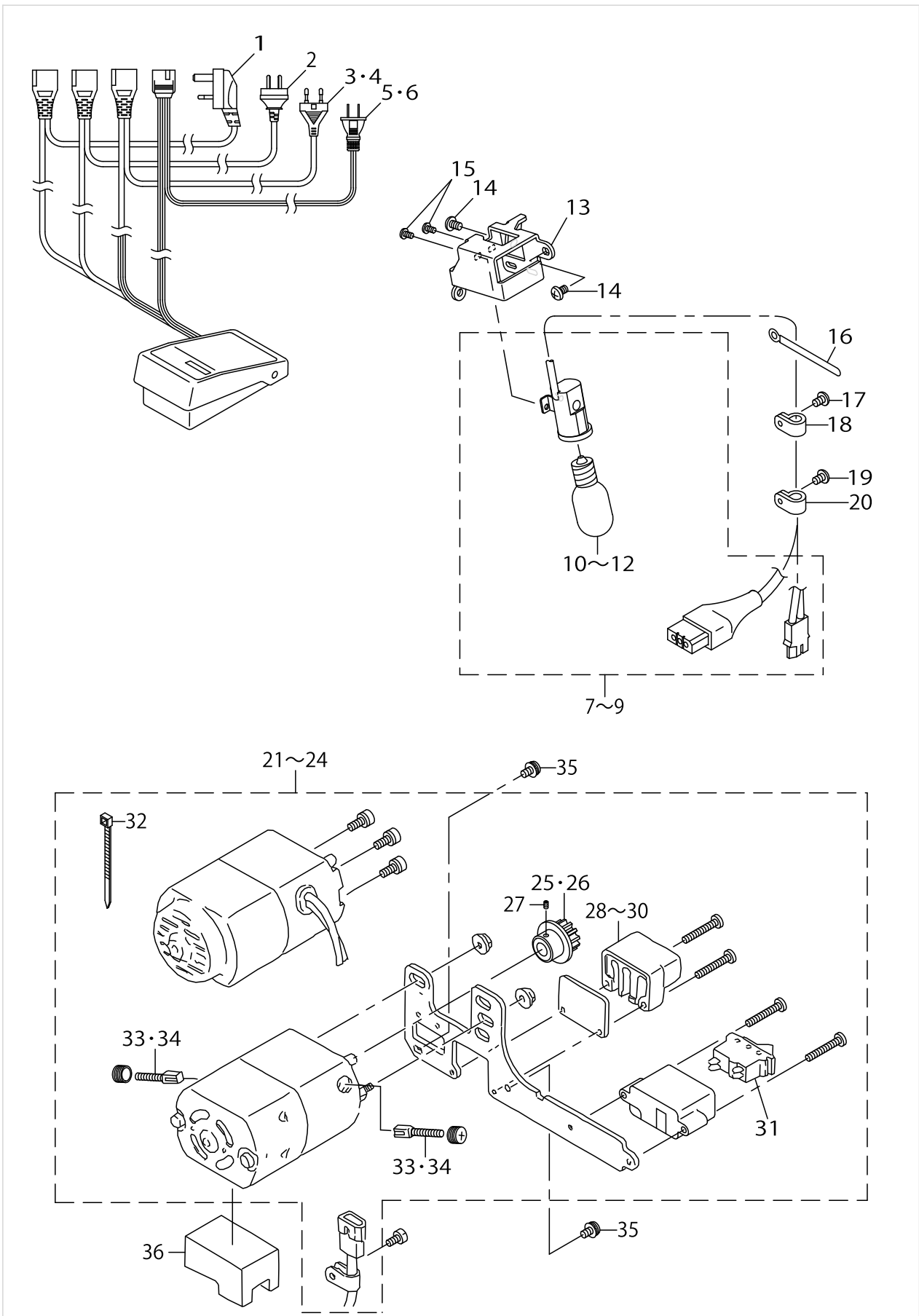
NEEDLE THREAD TENSION COMPONENTS



NEEDLE THREAD TENSION COMPONENTS

No.	Supply Code	Parts No.	Replacement	Parts name	Remarks	Choice	Step	Level	Cons	Qty	Rep. QTY
45		40077574		CAUTION_LABEL	FOR JP					1	

LAMP, MOTOR & CONTROLLER COMPONENTS

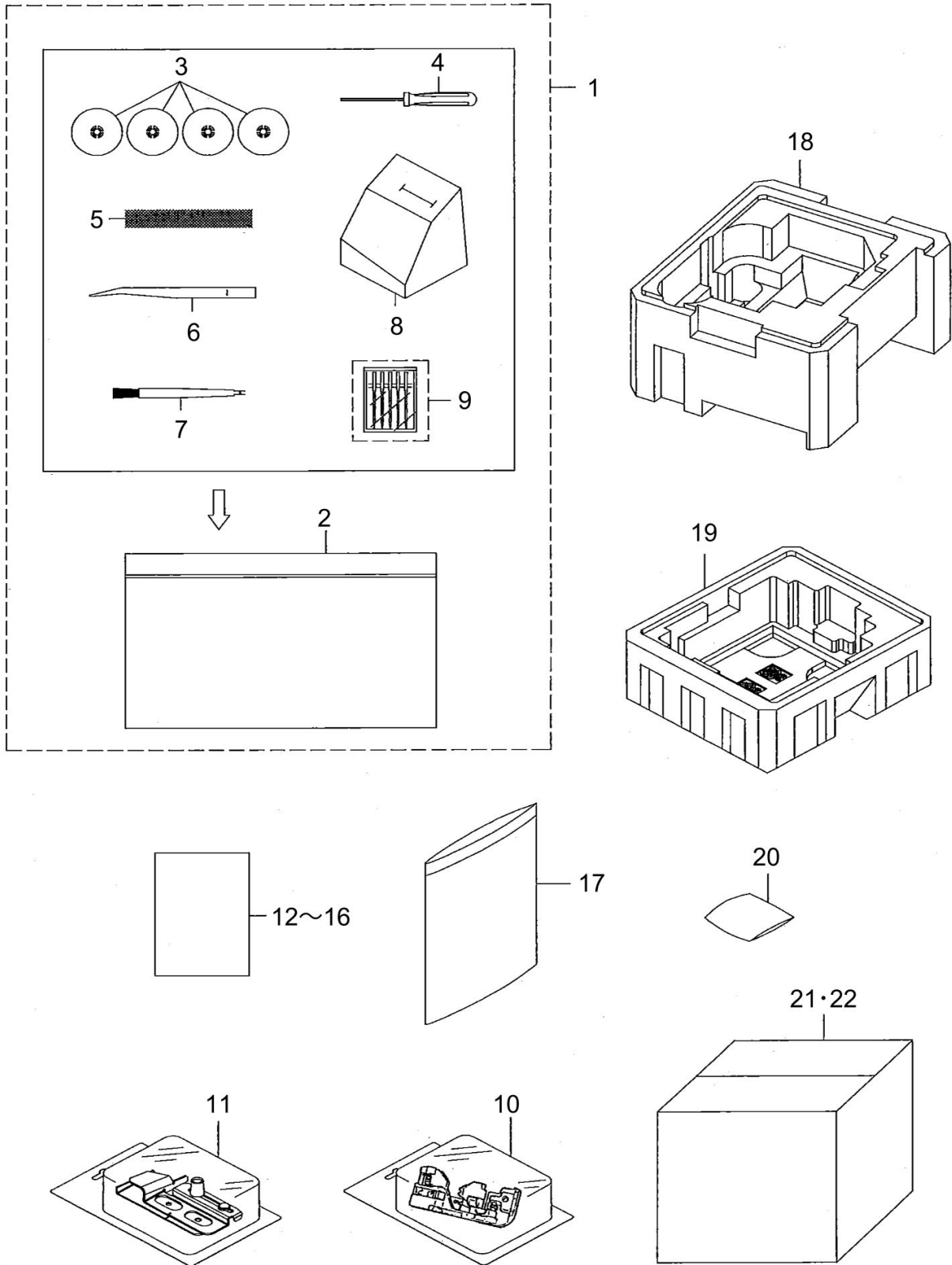


LAMP, MOTOR & CONTROLLER COMPONENTS

No.	Supply Code	Parts No.	Replacement	Parts name	Remarks	Choice	Step	Level	Cons	Qty	Rep. QTY
1		A640111000CB		CONTROLLER ASM. BS	FOR BS					1	
2		A640111000BB		CONTROLLER ASM. SAA	FOR SAA					1	
3		A640111000AB		CONTROLLER ASM. CE	FOR CE/IT					1	
4		A640164D0AEA		CONTROLLER ASM. CH	FOR CH					1	
5		A6401634DA0C		CONTROLLER ASM. UL	FOR UL					1	
6		MSA1730AHAJ		CONTROLLER ASM. JP	FOR JP					1	
7		A60068000AAA		LAMP HOLDER ASM. UL	FOR UL					1	
8		A60068000ABB		LAMP HOLDER ASM. CE	FOR CE/B-S/SAA/IT/CH					1	
9		A60065300A0A		LAMP HOLDER ASM. JP	FOR JP					1	
10		A6013800A00A		LAMP UL	FOR UL			*		1	
11		A6013800B00A		LAMP CE	FOR CE/B-S/SAA/IT/CH			*		1	
12		A6010530000A		LAMP JP	FOR JP			*		1	
13		A6007535000		LAMP HOLDER SUPPORT						1	
14		SM4040655SN		SCREW M4X0.7 L=6						2	
15		SM5030555SC		SCREW						2	
16		A3811550000		CORD HOLDER						1	
17		SM4040655SN		SCREW M4X0.7 L=6						1	
18		HX00150000B		CABLE CLAMP						1	
19		SM4040655SN		SCREW M4X0.7 L=6	FOR EXCEPT UL					1	
20		HX00150000B		CABLE CLAMP	FOR EXCEPT UL					1	
21		A63015240B0A		MOTOR ASM. UL	FOR UL					1	
22		A63015240BBB		MOTOR ASM. CE	FOR CE/B-S/SAA/IT					1	
23		40174446		MOTOR ASM. CH	FOR CH					1	
24		A6301C090A0		MOTOR ASM. JP	FOR JP					1	
25		A6010634000A		MOTOR PULLEY	FOR UL/JP			*		1	
26		A601063400A		MOTOR PULLEY ASM.	FOR CE/B-S/SAA/IT/CH			*		1	
27		SM8040602TP		SCREW M4X0.7 L=6				*		1	
28		A6001102U00A		TERMINAL UL	FOR UL			*		1	
29		A6001102G00		TERMINAL CE	FOR CE/B-S/SAA/IT/CH			*		1	
30		A6001102J00A		TERMINAL JP	FOR JP			*		1	
31		A600364D000		POWER SWITCH				*		1	
32		A407855000B		BAND				*		1	
33		A6090110000		CARBON BRUSH	FOR UL			*		2	
34		40176231		CARBON BRUSH	FOR CH			*		2	
35		SL4040855SN		SCREW M4 L=8						2	
36		A6003535000A		MOTOR PROTECTOR						1	



ACCESSORIES PARTS & OPTION COMPONENTS



ACCESSORIES PARTS & OPTION COMPONENTS

No.	Supply Code	Parts No.	Replacement	Parts name	Remarks	Choice	Step	Level	Cons	Qty	Rep. QTY
1		40174075		ASSY_ACCESSORY_BAG						1	
2	R	B9101552000	22932800	ACCESSORY BAG				*		1	1.00
3		A115098000A		SPOOL CAP				*		4	
4		40122044		HEXAGONAL DRIVER				*		1	
5		A9116335000		PLASTIC NET				*		1	
6		A9109202000		TWEEZERS				*		1	
7		40065952		NEEDLE_INSERTER_TOOL/BRUSH				*		1	
8		A9102800000		VINYL COVER				*		1	
9		40167415		NEEDLE_ASM				*		1	
10		40177370		ASSY BP DOUBLE CHAIN P FOOT						1	
11		40177371		ASSY BP HEMMER GUIDE FOR CS						1	
12		40174080		INSTRUCSION MANUAL MCS1500 ESF	FOR UL/SAA					1	
13		40174081		INSTRUCSION MANUAL MCS1500 ENG	FOR CE/BS					1	
14		40174082		INSTRUCSION MANUAL MCS1500 ITA	FOR IT					1	
15		40174083		INSTRUCSION MANUAL MCS1500 JP	FOR JP					1	
16		40174084		INSTRUCSION MANUAL MCS1500 CH	FOR CH					1	
17		A9181008000		VINYL						1	
18		40121970		STYROFORM TOP						1	
19		40122711		STYROFORM BOTTOM						1	
20		J0240082A00		SILICAGEL						1	
21		40174076		CARTON_CASE_MCS1500_F	FOR FOREIGN					1	
22		40174078		CARTON_CASE_MCS1500_D	FOR JP					1	

## HOW TO MAKE USE OF THIS PARTS LIST

- 1.As to "#01" and "#02" refer to the "Note" given at the bottom of the respective pages.
- 2.Codes on the "Qty" column
  - Each numeral indicates the number of parts required.
  - "0.1" and "2.5" indicate the length (in meters) of the respective parts.
- 3.Parentheses mean that the corresponding part is a subpart that constructs an assembly part.
- 4.Dotted lines on the Figures indicate assembly parts.

1. リストページの# 0 1、# 0 2の印は、ページ下の"注記"の説明を参照下さい。
2. 数量欄の数字は、個数を表し、0. 1、2. 5等の数値は、長さ(単位メートル)を表します。
3. 数量欄の( )は、組部品を構成している子部品であることを意味します。
4. イラストページの-----枠は、組構成であることを意味します。

# NUMERICAL INDEX OF PARTS

PART NO	PAGE	REF NO.	PART NO	PAGE	REF NO.	PART NO	PAGE	REF NO.
40065952	32	7	40174076	32	21·22	A1403102000	24	31
40071774	6	1	40174078	32	21·22	A1403335000A	8	19
40077574	28	45	40174080	32	12~16	A1404535000	8	14
40079646	24	21	40174081	32	12~16	A1407102000	8	13
40082787	2	1	40174082	32	12~16	A1411335000	8	9
40121970	32	18	40174083	32	12~16	A1412130000	8	3
40121972	8	30	40174084	32	12~16	A1412535000	8	1
40121973	26	6	40174171	26	44	A1414502000	8	17
40121975	20	29	40174446	30	21~24	A14145020A0	8	16
40121979	26	18	40176231	30	33·34	A1415523000	8	11
40121980	26	17	40177370	32	10	A1424777000	24	11
40121981	12	6	40177371	32	11	A1501C09000	8	35
40121983	12	9	A11025340A0A	4	54	A1502C09000	8	36
40121988	2	28	A1103C09000	2	19	A15049DC0B0	10	48
40121995	26	1	A1104523000A	2	31	A1507C09000	8	40
40121997	8	23	A1118644000A	2	5	A1514C090B0B	8	42
40121998	8	24	A1119644000A	2	7	A1520130000	8	43
40121999	8	25	A1120202000	2	4	A152111000C	8	44
40122000	2	10	A1121202000	2	3	A1522110000	8	38
40122001	8	33	A11213150A0A	2	8	A1523110000	8	39
40122008	26	8	A1124644000	2	14	A15729DC000	10	52
40122010	2	45	A1135535000	2	42	A15739DC0A0	12	7
40122044	32	4	A1138335000	2	11	A15779DC000	12	2
40122701	2	2	A11389DC000	2	24	A15789DC000	12	1
40122704	20	14	A11399DC000B	2	22	A1601556D00B	14	2
40122705	26	11	A1145523000	2	13	A1602534D00B	14	3
40122707	26	2	A1146644000	2	16	A160365DE00	14	4
40122709	26	19	A1147535000	2	17	A1604534D00A	14	5
40122711	32	19	A115098000A	32	3	A16109DC000	14	1
40123323	8	29	A11535030AC	4	56	A1611655000	14	6
40123324	8	28	A1156523000	4	51	A1612535000	18	98
40125265	8	27	A1160524000	2	32	A1613535000	16	53
40127196	8	31	A11615350A0	2	36	A1613655000	14	17
40127197	26	3	A1164535000	4	47	A1614534D00	14	12
40127198	26	5	A116731500AA	20	26	A1614655000	14	32
40127201	10	50	A1202113000	6	6	A1615534D00	14	9
40131485	2	12	A1205634000	6	9	A1616030Z00	16	70
40133733	24	6	A1206102000	6	5	A1616534D00	16	90
40139206	8	34	A1206202000	6	4	A1617534D00A	18	94
40167415	32	9	A1206335000	6	3	A1618534D00	18	92
40174063	2	27	A1206535000	6	7	A1618534D0A	18	93
40174066	26	42	A1230500000A	6	8	A16196550A0	14	23
40174068	26	41	A1401535000A	8	20	A1620534DA0	14	11
40174070	26	43	A1402535000	8	5	A1625800000	16	63
40174075	32	1	A1403102000	8	22	A1627C09000	16	64

## NUMERICAL INDEX OF PARTS

PART NO	PAGE	REF NO.	PART NO	PAGE	REF NO.	PART NO	PAGE	REF NO.
A1630534D00	14	20	A2116535000	20	7	A3120031000	2	23
A1630535000	18	96	A2130655000	20	35	A3120535000	26	25
A1633534D00	14	28	A21306550A0	20	34	A31209DC000	26	12
A1634655000A	14	24	A21309DC0B0	20	31	A3121502000	26	24
A1635534D00	14	30	A21316550A0	20	36	A31219DC000A	26	14
A1637534DA0	18	97	A21326550A0	20	32	A31229DC000	26	15
A1638776000	18	91	A21349DC000	20	38	A31239DC000	26	16
A1639534D00	16	88	A2138335000	20	30	A31249DC000A	26	29
A1639800000	16	69	A21409DC0A0	24	1	A3134634000	26	33
A1640534D00	16	86	A21429DC000	24	7	A3139776000	24	13
A1641534D00	16	60	A21439DC000	24	2	A3150535000	2	39
A1642C09000	16	74	A21459DC000	24	5	A3151535000	2	21
A1645534D00	16	55	A21469DC000B	24	10	A3154534D00	26	20
A1646534D00	16	56	A21519DC000A	20	15	A3158535000	26	32
A1647534D00	16	61	A21529DC000	20	21	A3811550000	30	16
A1648655000	16	73	A21536550A0	20	25	A3903634000	26	31
A1650534D00	16	84	A21549DC000	2	34	A3910634000B	26	28
A1651534D00	16	77	A2155655000A	20	20	A407855000B	30	32
A1652534D00	16	81	A2156655000	20	28	A4125655000	2	46
A1653776000	14	42	A2158655000	20	19	A6001102G00	30	28~30
A1654776000A	16	47	A2159655000	20	27	A6001102J00A	30	28~30
A1655534D00	14	13	A21609DC000	20	43	A6001102U00A	30	28~30
A1657534DA0	14	43	A21619DC000	20	42	A6003535000A	30	36
A1659534D00A	14	41	A21659DC000	20	23	A600364D000	30	31
A1660534D00A	14	48	A2503776000	24	16	A60065300A0A	30	7~9
A1660534D00A	16	48	A2504776000	24	18	A60068000AAA	30	7~9
A16618000A0	14	38	A251453400C	24	22	A60068000ABB	30	7~9
A1662655000A	14	16	A2515534000A	24	15	A6007535000	30	13
A1663534D00	16	50	A25159DC0A0	24	14	A6010530000A	30	10~12
A1663776000	14	36	A25169DC000	24	19	A6010634000A	30	25·26
A16637760A0	14	35	A25219DC000	24	32	A601063400A	30	25·26
A1664655000	14	34	A2529335000	16	85	A6013800A00A	30	10~12
A1665534D00	16	79	A2529335000	20	4	A6013800B00A	30	10~12
A1675335000	20	12	A2538554000	4	49	A6090110000	30	33·34
A2101535000	24	29	A2550534000C	24	24	A63015240B0A	30	21~24
A21029DC000	24	36	A31029DC000	26	23	A63015240BBB	30	21~24
A21039DC000	20	2	A3103535000	26	26	A6301C090A0	30	21~24
A2105535000	20	1	A31039DC000	26	13	A640111000AB	30	3·4
A2107655000	20	13	A31049DC000B	26	36	A640111000BB	30	2
A21099DC000	20	17	A31059DC000	26	35	A640111000CB	30	1
A2111335000	24	12	A3106202000	26	37	A6401634DA0C	30	5·6
A2112204000	24	35	A31089DC000	26	38	A640164D0AEA	30	3·4
A2113535000A	20	8	A31099DC000	26	39	A9102800000	32	8
A2114535000	20	5	A31109DC000	26	30	A9109202000	32	6
A2115655000	20	11	A31119DC000	26	34	A9116335000	32	5

NUMERICAL INDEX OF PARTS

PART NO	PAGE	REF NO.	PART NO	PAGE	REF NO.	PART NO	PAGE	REF NO.
A9181008000	32	17	SM5030555SC	30	15	ST5031051SN	2	35
A9196524000	2	44	SM5030655SF	12	11	ST5041051SN	2	58
A9196524000	26	7	SM5030655SN	14	44	ST5041051SN	4	58
B9101552000	32	2	SM5030655SN	20	45	ST5041051SN	26	21
HX00150000B	30	20	SM5030655SN	22	45	WP0320501SC	2	25
J0240082A00	32	20	SM5030855SN	10	47	WP0320501SC	8	46
MC221500800	10	54	SM5030855SN	14	40	WP0430801SC	2	57
MSA1730AHAJ	30	5-6	SM5030855SN	26	9	WP0430801SC	4	57
NM6050003SC	26	40	SM5031001SE	16	52	WP0430801SC	12	3
PS0200052KP	12	10	SM5032555SE	2	41	WP0430801SC	14	82
PS0200202KP	26	27	SM5040655SN	14	7	WP0430801SC	16	82
PS0400222KP	6	2	SM5040855SN	2	59	WP0430801SC	24	9
RE0200000K0	20	33	SM5040855SN	4	59	WP0510516SD	26	22
RE0300000K0	12	8	SM5040855SN	8	41	WP0531001SC	8	45
RE0300000K0	14	83	SM5040855SN	26	10	WP0641600SD	24	28
RE0300000K0	16	83	SM5041055SN	14	31	WP0820516SP	8	7
RE0300000K0	24	8	SM5043755SC	2	6	WP0820516SP	24	34
RE0400000K0	10	53	SM5051255SN	2	55			
RE0400000K0	14	89	SM5051255SN	4	55			
RE0400000K0	16	89	SM8030302TP	14	72			
RE0400000K0	20	10	SM8030302TP	16	72			
RE0500000K0	10	51	SM8030302TP	20	16			
RE0500000K0	14	68	SM8030402TP	16	87			
RE0500000K0	16	68	SM8030612TP	24	25			
RE0600000K0	8	8	SM8040402SP	8	18			
RE0600000K0	24	33	SM8040402TP	4	53			
SL4040831SF	2	20	SM8040402TP	8	15			
SL4040855SN	2	50	SM8040402TP	16	99			
SL4040855SN	4	50	SM8040402TP	18	99			
SL4040855SN	30	35	SM8040402TP	20	46			
SL5031031SN	2	15	SM8040402TP	22	46			
SM0030401SC	20	37	SM8040402TP	24	37			
SM0030401SC	24	3	SM8040412TP	20	3			
SM1030801SN	8	26	SM8040602TP	20	22			
SM4030455SN	8	32	SM8040602TP	24	17			
SM4030455SN	20	40	SM8040602TP	30	27			
SM4030655SP	16	75	SM8040612TP	18	95			
SM4040655SN	16	54	SM8050402TP	8	37			
SM4040655SN	20	41	SM8050602TP	8	21			
SM4040655SN	24	4	SM8050612TP	24	23			
SM4040655SN	30	19	SM8050842TP	2	40			
SM4040855SN	4	52	SM8060602TP	8	12			
SM4040855SN	10	49	SM9030650SN	20	44			
SM5030555SC	8	4	SM9040700SP	16	76			
SM5030555SC	20	24	ST5030851SN	2	26			