

MODEL : TL-2101Q/2000Qi

List No : 6019-00

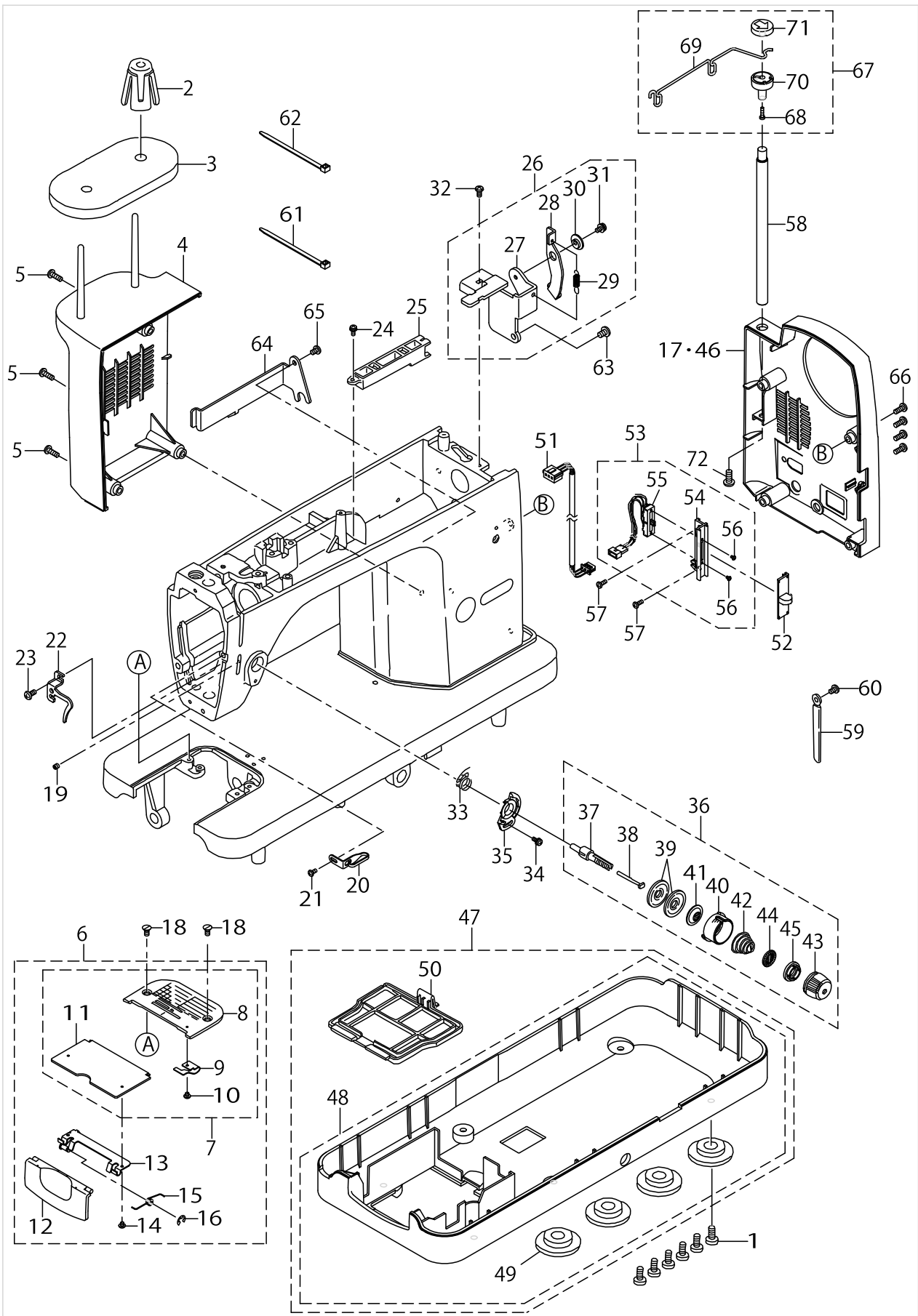
PARTS LIST

Published:05/12/2017

CONTENTS

HEAD AND OUTER COMPONENTS	1
ARM COVER, FACE PLATE AND LAMP COMPONENTS	5
MAIN SHAFT, THREAD TAKE-UP AND IDLER COMPONENTS	9
NEEDLE BAR, HOOK DRIVING SHAFT AND THREADER COMPONENTS	11
FEED MECHANISM COMPONENTS.....	15
DROP FEED KNOB COMPONENTS.....	19
PRESSER, KNEE LIFTER, WIRE HOLDER AND THREAD RELEASE COMPONENTS	21
MOTOR AND MAIN CIRCUIT BOARD COMPONENTS	25
MOVING KNIFE, LOOPER AND THREAD TRIMMER SOLENOID COMPONENTS	29
ACCESSORIES AND PACKING COMPONENTS	33
SEPARATELY-SOLD COMPONENTS	35
HOW TO MAKE USE OF THIS PARTS LIST	37

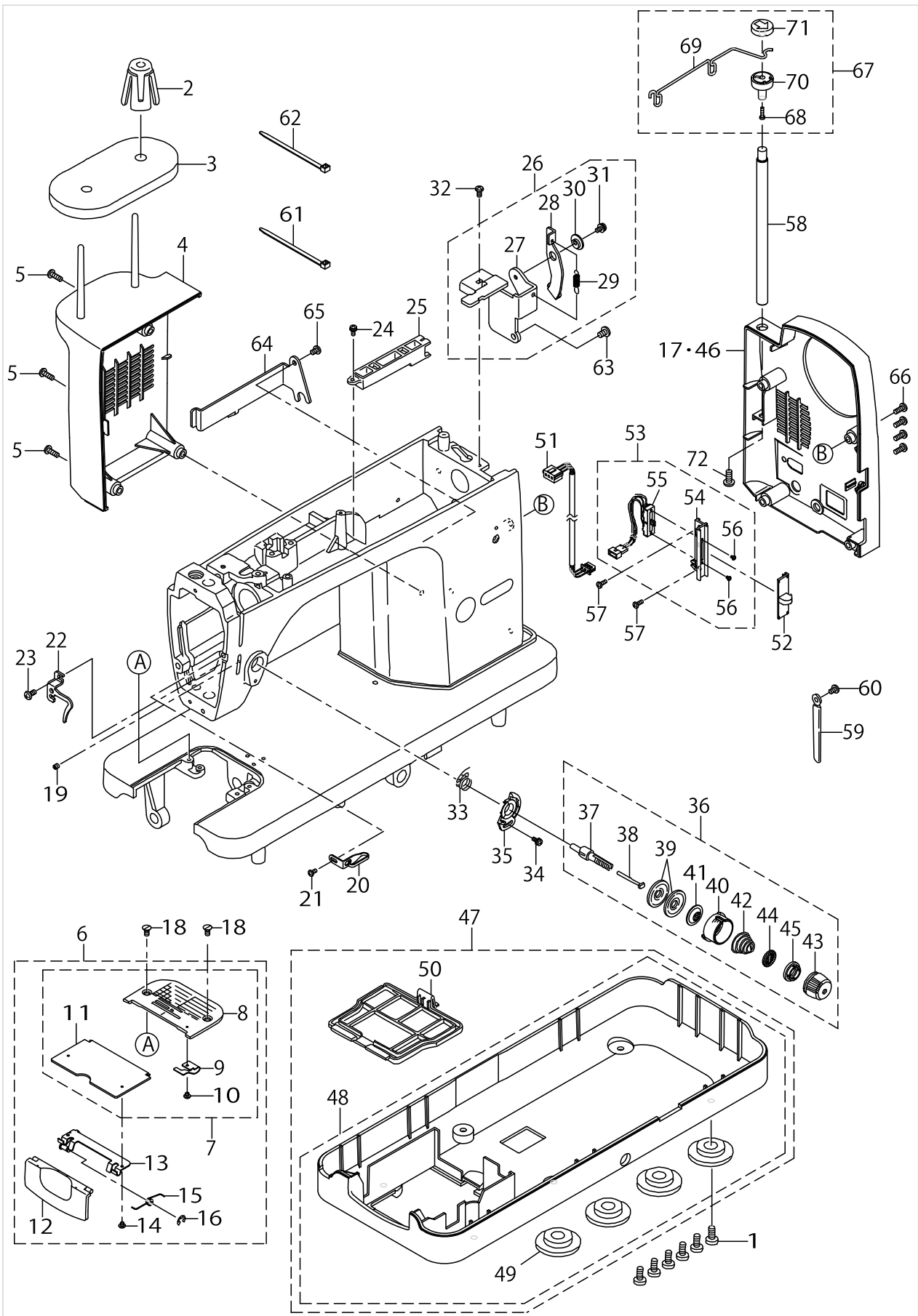
HEAD AND OUTER COMPONENTS



HEAD AND OUTER COMPONENTS

No.	Supply Code	Parts No.	Replacement	Parts name	Remarks	Choice	Step	Level	Cons	Qty	Rep. QTY
1		SM5051255SN		SCREW						6	
2		A1120202000		BOBBIN WINDER DE-FLECTION STOPPER						1	
3		A1121090000		BOBBIN WINDER SHEET						1	
4		A7105D25000		MOTOR COVER						1	
5		SM5041255SN		SCREW						3	
6		A1109E98ZC0		NEEDLE PLATE WHOLE MAS. ASM.						1	
7		A1109E98ZB0		NEEDLE PLATE MAS. ASM.				*		1	
8		A1109E98Z00		NEEDLE PLATE				*		1	
9		A1112090000		SPRING				*		1	
10		SM4020201SC		SCREW				*		1	
11	R	A1110D980A0	A1109E98ZB0	BOBBIN CASE COVER ASM.				*		1	1.00
12		A1112D98000		SIDE COVER				*		1	
13		A1113E98ZA0		STOPPER PLATE ASM.				*		1	
14		SM4020201SC		SCREW				*		2	
15		A1118E98Z00		SPRING				*		1	
16		RE0300000K0		E-RING				*		1	
17	D	A7103H25000		BELT COVER	FOR TL-2000Qi					1	
18		SM1040800SL		SCREW						2	
19		SM8040602TP		SCREW						1	
20		A3114D25000		THREAD GUIDE						1	
21		SM5030655SN		SCREW						1	
22		A3135096000		THREAD TENSION THREAD GUIDE						1	
23		SM4040855SP		SCREW						1	
24		SL5030831SF		SCREW						1	
25		A5001090000		CORD GUIDE						1	
26		A50000960A0		CORD GUIDE PLATE ASM.						1	
27		A5000096000		CORD GUIDE PLATE				*		1	
28		A5002096000		CLUTCH PLATE				*		1	
29		A3206030000		SPRING				*		1	
30		A2435033000		LINK COLLAR				*		1	
31		SL5030635SN		SCREW				*		1	
32		SM5030655SN		SCREW						1	
33		A3128098000		THREAD TAKE-UP SPRING						1	
34		SL5030801SN		SCREW						1	
35		A3111D98000		ADJUSTING PLATE						1	
36		A3122D250A0A		THREAD TENSION ASM.						1	
37		A311209000AA		THREAD TENSION POST				*		1	
38		A3127090000B		TENSION RELEASE PIN				*		1	
39	R	B3126012000	22921506	THREAD TENSION DISK				*		2	1.00
40		A3132D98000		DISK PRESSER				*		1	
41		A3133D98000		DISKPRESSERPLATE				*		1	
42		B3129012A00		THREAD TENSION SPRING A				*		1	
43		A3124D25000		KNOB				*		1	
44		B3120125000		ROTATION STOPPER				*		1	
45		A3124096A00		KNOB RATCHET				*		1	
46		40096691		BELT_COVER	FOR TL-2010Q					1	

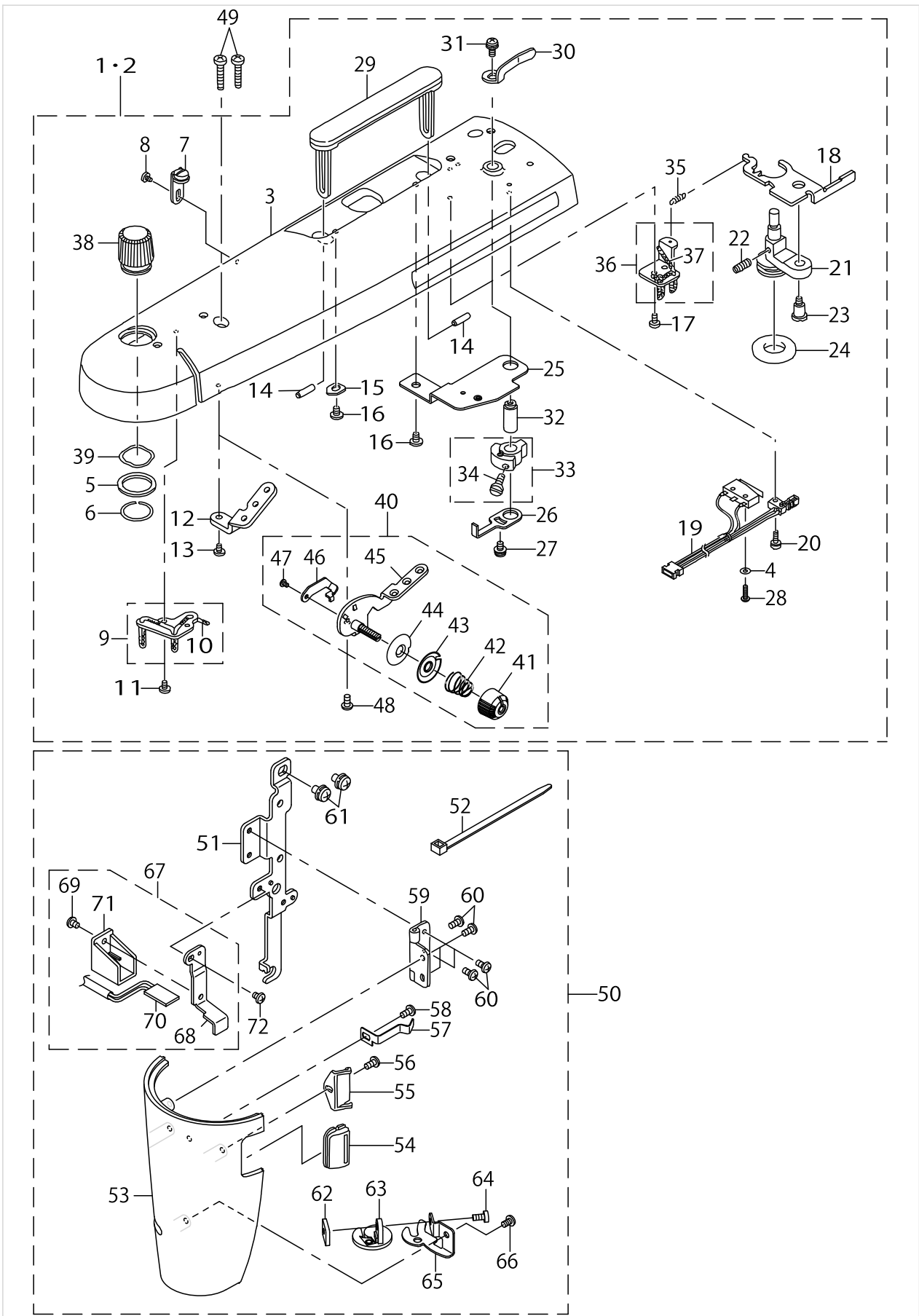
HEAD AND OUTER COMPONENTS



HEAD AND OUTER COMPONENTS

No.	Supply Code	Parts No.	Replacement	Parts name	Remarks	Choice	Step	Level	Cons	Qty	Rep. QTY
47		A1160E98ZB0		BED COVER MAS. ASM.						1	
48		A1160E98ZA0		BED COVER ASM.				*		1	
49		A116009000A		RUBBER SEAT				*		4	
50		A1161090000		BED COVER LID				*		1	
51		A4519X280A0		SP.L. VR RELAY LE-AD CABLE ASM.	FOR TL-2010Q					1	
52		A4509X28000		SPEEDLIMITVRKNOB	FOR TL-2010Q					1	
53	D	A4510X280A0		SPEED LIMIT VR BASE ASM.	FOR TL-2010Q					1	
54		A4510X28000		SPEEDLIMITVRBASE	FOR TL-2010Q			*		1	
55		A4508X280A0A		SPEED LIMIT VR ASM.	FOR TL-2010Q			*		1	
56		SM4020301SC		SCREW M2X0.4 L=3	FOR TL-2010Q			*		2	
57		ST5030851SN		SCREW M3 L=8	FOR TL-2010Q					2	
58		40082787		THREAD_GUIDE_POST_L						1	
59		A3811550000		CORD HOLDER						1	
60		SM5040601SE		SCREW						1	
61		A407855000B		CLIP BAND						1	
62		A407855000B		CLIP BAND						1	
63		SM5040655SN		SCREW						1	
64		A4502E98Z00		CORD GUIDE PLATE						1	
65		SM5040601SE		SCREW M4 L=6						1	
66		SM5041055SN		SCREW						4	
67		A1116D250A0		THREAD GUIDE ASM.						1	
68		ST4861051SN		SCREW				*		1	
69		A1116D25000		THREAD GUIDE				*		1	
70		A1121313000		THREAD GUIDE BASE				*		1	
71		A1120313000		THREAD GUIDE TOP				*		1	
72		SM5051255SN		SCREW						1	

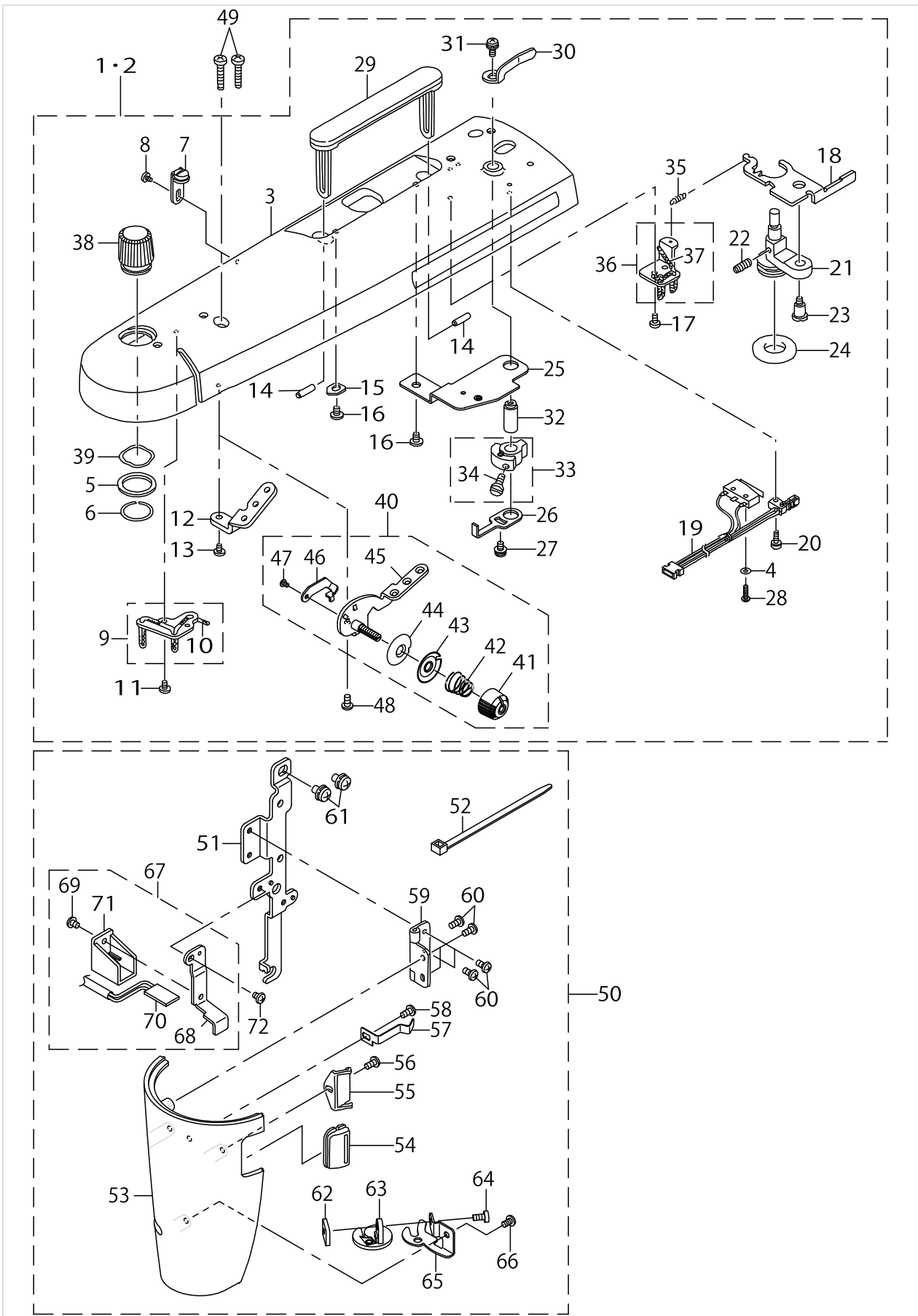
ARM COVER, FACE PLATE AND LAMP COMPONENTS



ARM COVER, FACE PLATE AND LAMP COMPONENTS

No.	Supply Code	Parts No.	Replacement	Parts name	Remarks	Choice	Step	Level	Cons	Qty	Rep. QTY
1		40096632		ARM COVER MAS. ASM. TL2010Q	FOR TL-2010Q					1	
2		40096633		ARM COVER MAS. ASM. TL2000Qi	FOR TL-2000Qi					1	
3		40068115		ARM COVER				*		1	
4		WP0250501SC		WASHER				*		1	
5		A150209000B		WASHER				*		1	
6		A150209000A		STOP RING				*		1	
7		A32319570A0		THREAD GUIDE BASE ASM.				*		1	
8		SM5030655SN		SCREW				*		1	
9		A11360900AA		STOPPER PLATE A ASM.				*		1	
10		A113809000A		OIL WICK A				*		1	
11		SM5030655SN		SCREW				*		1	
12		A1128096000		THREAD GUIDE NO.1	FOR TL-2000Qi			*		1	
13		SM5030655SN		SCREW	FOR TL-2000Qi			*		1	
14		A1137090000		HANDLE GUIDE SHAFT				*		2	
15		A1138500000A		WASHER				*		1	
16		SM5040655SN		SCREW				*		2	
17		SM5030655SN		SCREW				*		1	
18		A3221096000		ADJUSTING PLATE				*		1	
19	R	A32260960A0A	40165537	BOBBIN WINDER SWITCH ASM.				*		1	1.00
20		SL5031031SE		SCREW				*		1	
21	D	A32040900A0		BOBBINWINDERASM.				*		1	
22		A3208X28000		SPRING				*		1	
23		A3205090000		SCREW				*		1	
24		A321600100A		RUBBER RING				*		1	
25		A3235096000		BOBBIN WINDER S- WITCH INSTALLING PLATE				*		1	
26		A3236096000		CONTACT PLATE				*		1	
27		SL5030635SN		SCREW				*		1	
28		SM4831001SF		SCREW				*		1	
29		A11340900A0		HANDLE ASM.				*		1	
30		A3217072000		BOBBIN HOLDER				*		1	
31		SL5030801SN		SCREW				*		1	
32		A3218096000		BOBBIN HOLDER SHAFT				*		1	
33		A32190960A0		BOBBIN WINDER C- ONTROLLER ASM.				*		1	
34		SM4041055SF		SCREW				*		1	
35		A3222090000		SPRING				*		1	
36		A11360900AB		OIL WICK HOLDER PLATE B ASM.				*		1	
37		A113809000B		OIL WICK B				*		1	
38		A1502090000		KNOB				*		1	
39		A150209000C		WASHER				*		1	
40	R	A1128X280B0	40180170	FIRST TENSION BASE MAS. ASM.	FOR TL-2010Q			*		1	1.00
41		A1127X28000		FIRST TENSION KNOB	FOR TL-2010Q			*		1	
42		A1126X28000		FIRST TENSION SPRING	FOR TL-2010Q			*		2	
43		A3190030Z00		TENSION BASE B	FOR TL-2010Q			*		1	
44		A3189030Z00		TENSION BASE A	FOR TL-2010Q			*		1	
45		A1128X280A0		FIRST TENSION ASM.	FOR TL-2010Q			*		1	

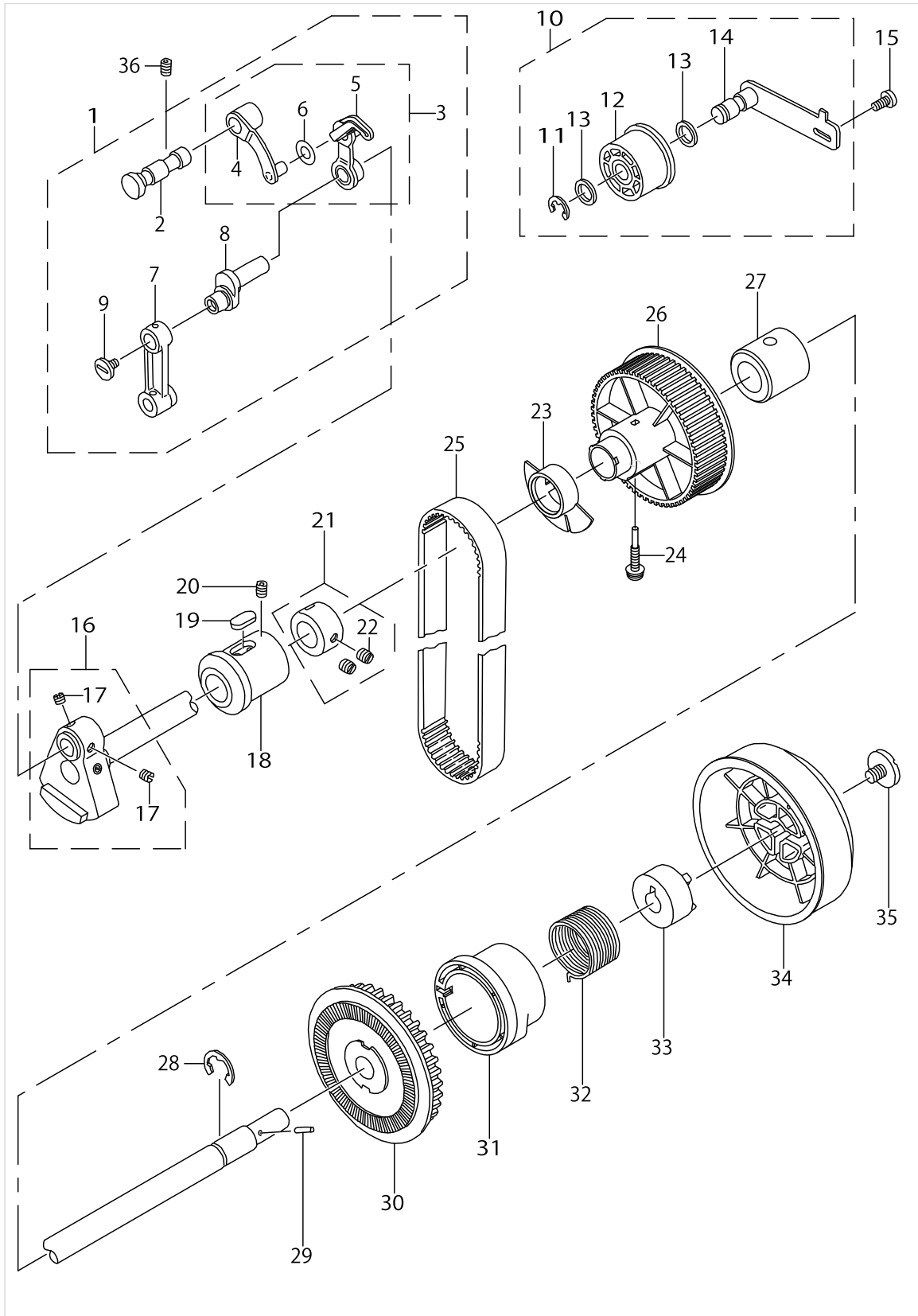
ARM COVER, FACE PLATE AND LAMP COMPONENTS



ARM COVER, FACE PLATE AND LAMP COMPONENTS

No.	Supply Code	Parts No.	Replacement	Parts name	Remarks	Choice	Step	Level	Cons	Qty	Rep. QTY
46		A1130X28000		FIRST THREAD TENSION DISK FIX PLATE	FOR TL-2010Q			*		1	
47		SM5020301SC		SCREW M2 L=3	FOR TL-2010Q			*		1	
48		SM5030655SN		SCREW M3X0.5 L=6	FOR TL-2010Q			*		1	
49		SM5042005SN		SCREW M4 L=20						2	
50		A3805Q98ZA0		FACE PLATE ASM.						1	
51		A3805096000		FACE PLATE				*		1	
52		A407855000B		LAMP CLIP BAND				*		2	
53		A3115D25000		FACE COVER				*		1	
54		A3116Q98Z00		PRESSURE INDICATING PLATE				*		1	
55		A3117090000		HOLDING PLATE				*		1	
56		SM5030655SN		SCREW				*		1	
57		A3119096000		SPRING				*		1	
58		SM5030655SN		SCREW				*		1	
59		A31180900A0		FACE COVER LATCH ASM.				*		1	
60		SM5030655SN		SCREW				*		4	
61		SL5040631SE		SCREW				*		2	
62		A3151535000		NUT				*		1	
63		A3120D250A0		THREAD TRIMMER KNIFE ASM.				*		1	
64		SM5030655SN		SCREW				*		1	
65		A3123D25000		KNIFE INSTALLING BASE				*		1	
66		SM5030501SC		SCREW				*		1	
67		40096595		ASSY_LED_LAMP				*		1	
68		40096594		LED_BRACKET				*		1	
69		SM5030455SF		SCREW M3 L=4				*		1	
70		40096551		ASSY_LED_CIRCUIT_BOARD				*		1	
71		40096593		LED_CASE				*		1	
72		SM5030455SF		SCREW M3 L=4				*		1	

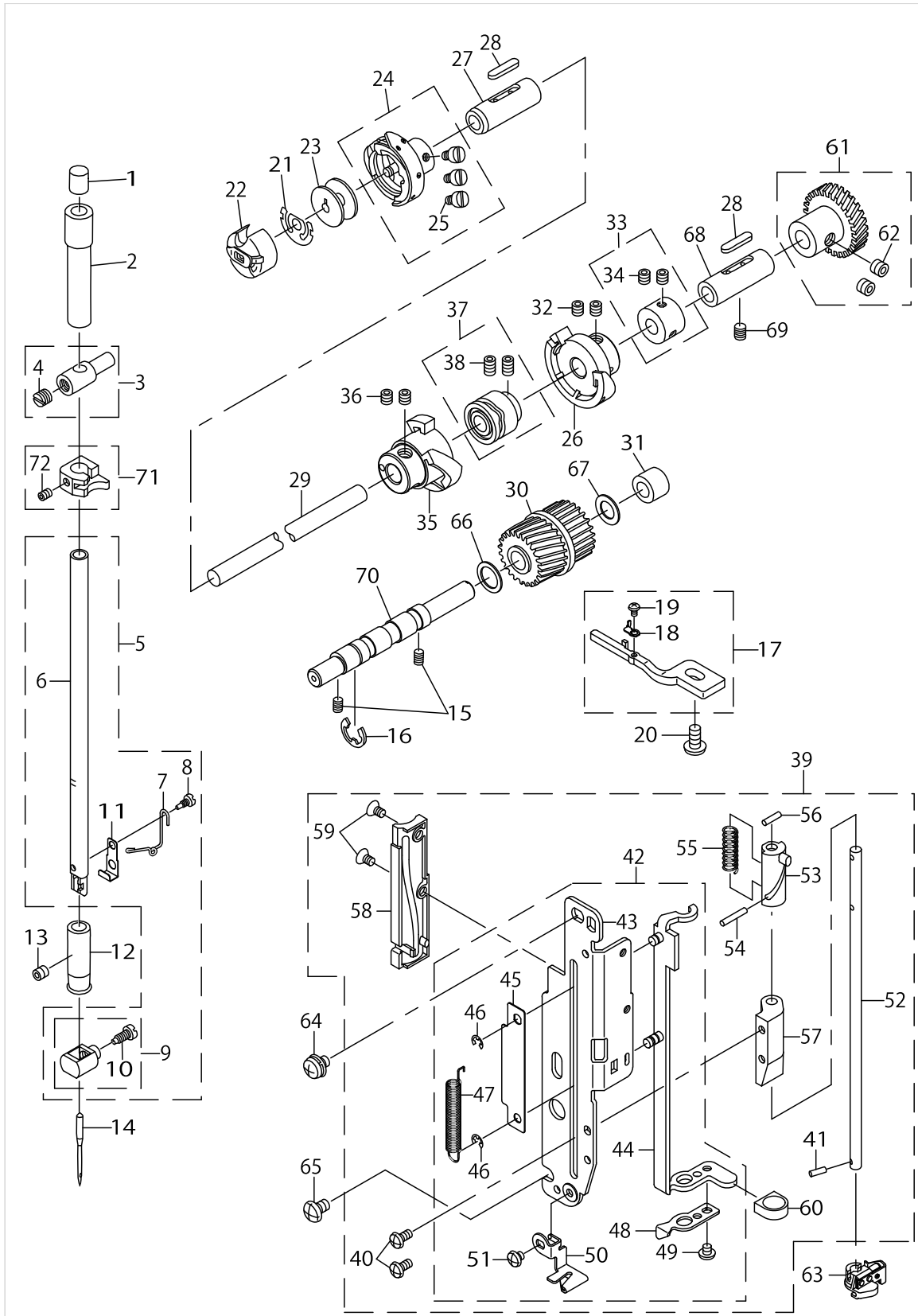
MAIN SHAFT, THREAD TAKE-UP AND IDLER COMPONENTS



MAIN SHAFT, THREAD TAKE-UP AND IDLER COMPONENTS

No.	Supply Code	Parts No.	Replacement	Parts name	Remarks	Choice	Step	Level	Cons	Qty	Rep. QTY
1		A19010900C0		THREAD TAKE-UP MAS. ASM.						1	
2		A1902090000		THREAD TAKE-UP SUPPORTING SHAFT				*		1	
3		A19010900B0		THREAD TAKE-UP ASM.				*		1	
4		A19040900A0		THREAD TAKE-UP SUPPORT ASM.				*		1	
5		A19010900A0		THREAD TAKE-UP BODY ASM.				*		1	
6		WP0620316RZ		WASHER				*		1	
7		A1408090000		NEEDLE BAR CRANK ROD				*		1	
8		A1209072000		NEEDLE BAR CRANK				*		1	
9		A1219907000		LEFT SCREW				*		1	
10		A72010900B0		IDLER MAS. ASM.						1	
11		RE0600000K0		E-RING				*		1	
12		A72030900A0		IDLER ASM.				*		1	
13		A7204090000A		WASHER				*		2	
14		A72010900A0		IDLER INSTALLING PLATE ASM.				*		1	
15		SM5040855SN		SCREW						1	
16		A1201D980A0		MAIN SHAFT ASM.						1	
17		SM8060502TP		SCREW				*		2	
18		A1202090000		MAIN SHAFT FRONT BUSHING						1	
19		A1203007000		FELT						1	
20		SM8050602TP		SCREW						1	
21		A12050900A0		MAIN SHAFT THRU-ST COLLAR ASM.						1	
22		SM8060502TP		SCREW				*		2	
23		A1210D25000		MAIN SHAFT DETECTOR SHIELD						1	
24		A1226D98000		SCREW						1	
25		A7110090000		MAIN SHAFT TIMING-BELT						1	
26		A1227D98000		MAIN SHAFT PULLEY						1	
27		A1204090000		MAIN SHAFT REAR BUSHING						1	
28		RE1000000K0		E-RING						1	
29		A1225090000		STOPPER PIN						1	
30		A1232090000A		MOTOR PULLEY						1	
31		A1244096000		CLUTCH SPRING SUPPORT						1	
32		A1248096000		CLUTCH SPRING						1	
33		A1229090000		HAND WHEEL BUSHING						1	
34		A1228090000A		HAND WHEEL						1	
35		A1230500000A		SCREW						1	
36		SM8050602TP		SCREW						1	

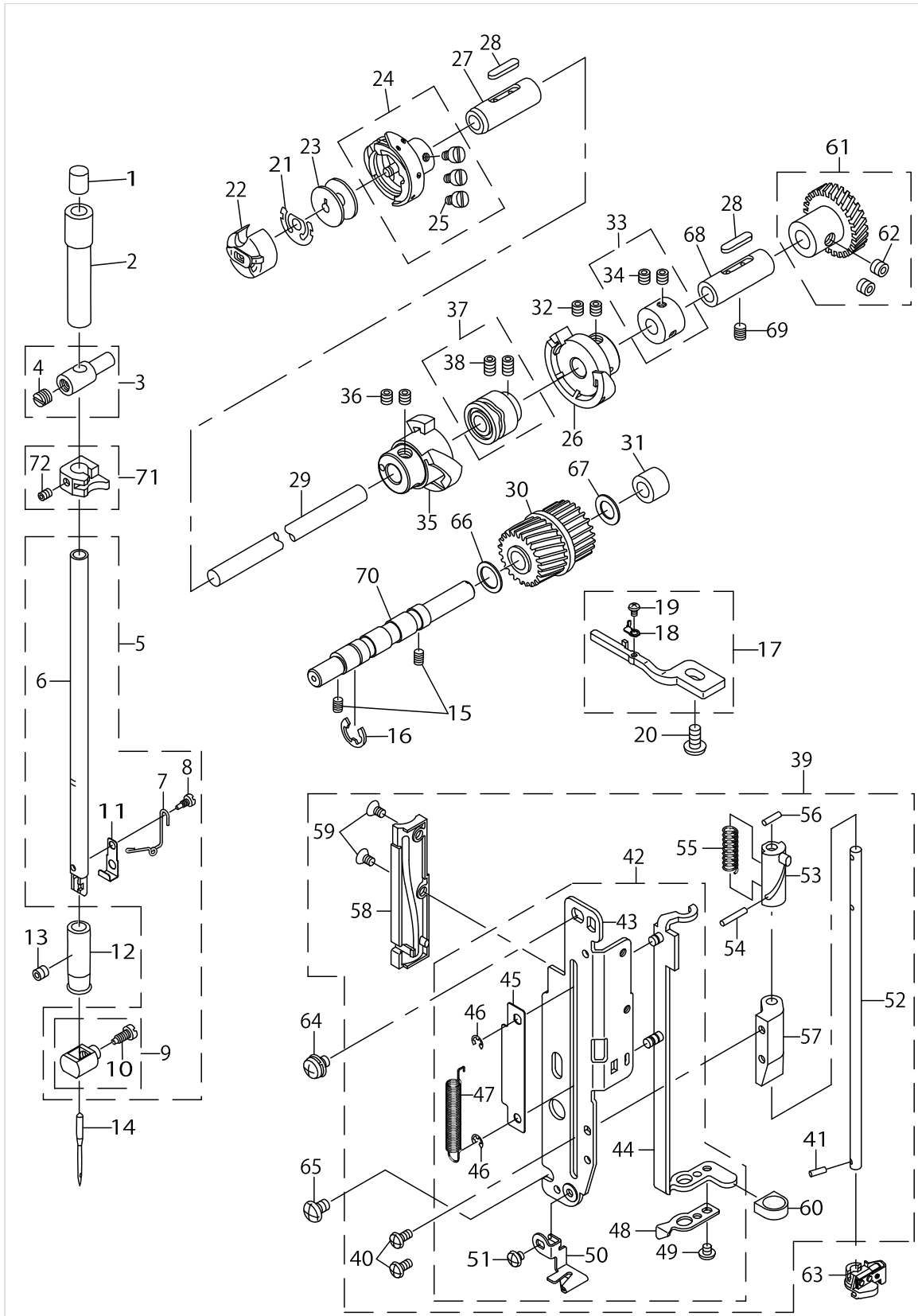
NEEDLE BAR, HOOK DRIVING SHAFT AND THREADER COMPONENTS



NEEDLE BAR, HOOK DRIVING SHAFT AND THREADER COMPONENTS

No.	Supply Code	Parts No.	Replacement	Parts name	Remarks	Choice	Step	Level	Cons	Qty	Rep. QTY
1		A1404072000		FELT						1	
2		A1402090000		NEEDLE BAR UPPER BUSHING						1	
3		A14110900A0		NEEDLE BAR CONNECTION ASM.						1	
4		SM8060510SP		SCREW				*		1	
5	R	A14010960B0A	40173365	NEEDLE BAR ASM.						1	1.00
6		A1401096000A		NEEDLE BAR				*		1	
7		A141609600AA		NEEDLE BAR THREAD BRACKET				*		1	
8		A1420001000		SCREW				*		1	
9		A14160960A0		NEEDLE CLAMP ASM.				*		1	
10		A1417096000		SCREW				*		1	
11		A1402096000A		NEEDLE MIS-INSERT PREVENTING PLATE				*		1	
12		A1403090000		NEEDLE BAR LOWER-BUSHING						1	
13		SM8040402TP		SCREW						1	
14		MHA100B1400		NEEDLE(HA 1 #14)						1	
15		SM8040602TP		SCREW						2	
16		RE0600000K0		E-RING						1	
17		A18350900A0B		BOBBIN CASE POSITIONING FINGER ASM.						1	
18		A1835090A00A		SPRING				*		1	
19	D	SM4020301SN		SCREW				*		1	
20		SM5040855SN		SCREW						1	
21		A183770000A		IDLING PREVENTING SPRING						1	
22		A1837D250AB		BOBBIN CASE ASM.						1	
23		A9117007000		BOBBIN						1	
24	R	A1830D250AA	A1830D250A0A	HOOK ASM.						1	1.00
25		SS6110560TP		SCREW				*		3	
26		A2462D25000		ROLLER HOLDING CAM						1	
27		A1802007000		HOOK DRIVING SHAFT FRONT BUSHING						1	
28		B1806038000		FELT						2	
29		A1801D98000		HOOK DRIVING SHAFT						1	
30		40080974		HOOK_DRIVING_SHAFT_PULLEY						1	
31		A180909600A		ECCENTRIC SHAFT BUSHING						1	
32		SM8050402TP		SCREW						2	
33		A18910960A0		HOOK DRIVING SHAFT THRUST COLLAR ASM.						1	
34		SM8040402TP		SCREW				*		2	
35		A2461D25000		TREAD CUTTER AUXILIARY CAM						1	
36		SM8040402TP		SCREW						2	
37		A24020900A0B		THREAD CUTTER CAM ASM.						1	
38		SM8050602TP		SCREW				*		2	
39		A1450D250B0		THREAD SUPPORTING PLATE ASM.						1	
40		SM5030655SN		SCREW				*		2	
41		PH0200062C0		PIN B				*		1	
42		A1450D250A0		THREAD SUPPORTING PLATE ASM.				*		1	
43		A1450096000		THREAD SUPPORTING PLATE				*		1	
44		A14310960A0		THREAD LEVER SUPPORTING PLATE ASM.				*		1	

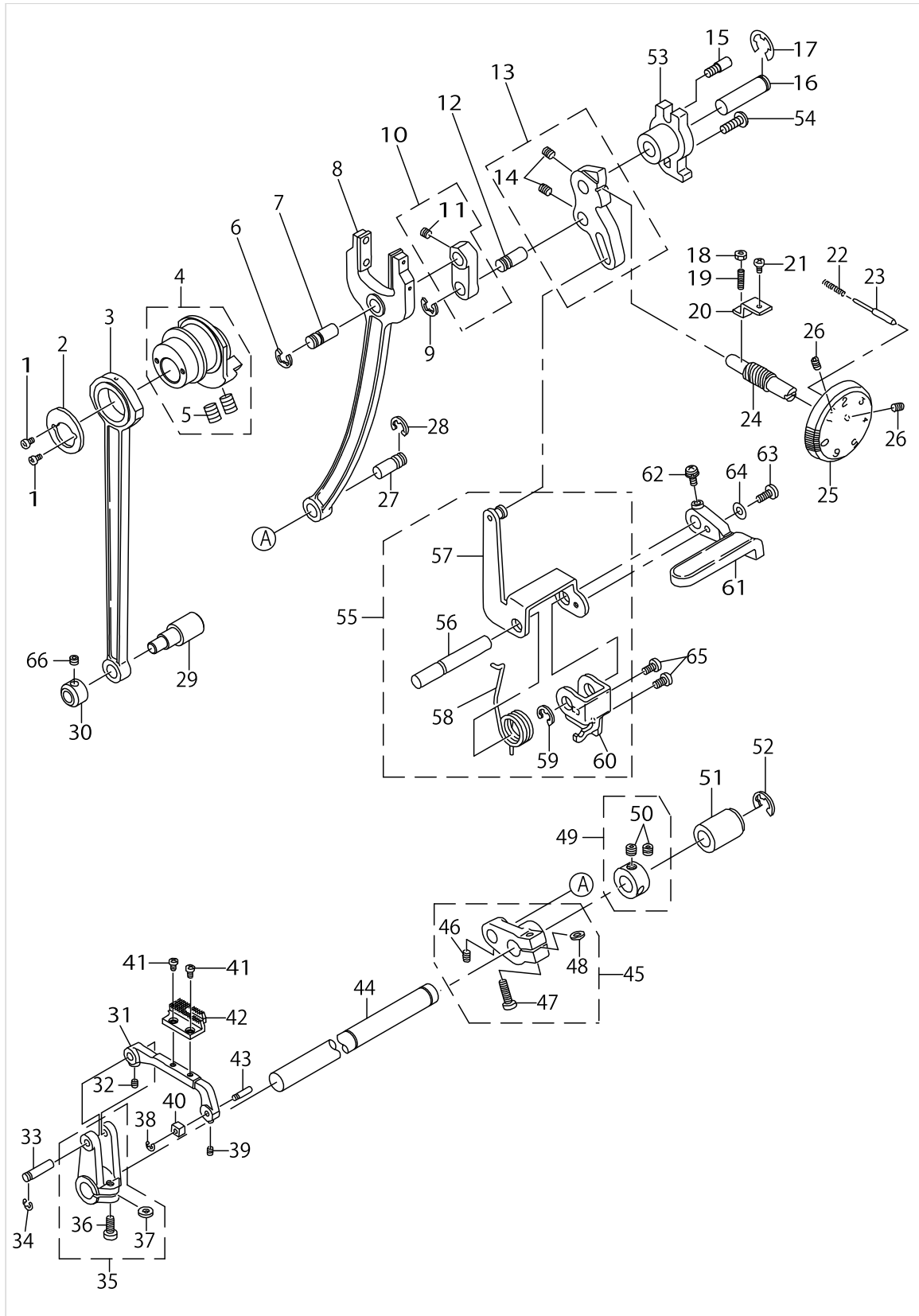
NEEDLE BAR, HOOK DRIVING SHAFT AND THREADER COMPONENTS



NEEDLE BAR, HOOK DRIVING SHAFT AND THREADER COMPONENTS

No.	Supply Code	Parts No.	Replacement	Parts name	Remarks	Choice	Step	Level	Cons	Qty	Rep. QTY
45		A1453096000		SLIDE PLATE				*		1	
46		RE025000K0		E-RING				*		2	
47		A1433096000		SPRING				*		1	
48		A1452096000		THREAD GUIDE				*		1	
49		SM5030355SN		SCREW				*		1	
50		A1419D25000A		NEEDLE BAR THREAD GUIDE				*		1	
51		SM5030355SN		SCREW				*		1	
52		A1432096000A		THREAD BAR				*		1	
53		A1426096000		THREAD OPERATING CYLINDER A				*		1	
54		A143209600A		PIN A				*		1	
55		A1434096000		SPRING				*		1	
56		A143209600C		PIN C				*		1	
57		A1451096000		THREADER BAR SUPPORT				*		1	
58		A142609600B		THREADER OPERATING CYLINDER B				*		1	
59	D	SM1860601SC		SCREW				*		2	
60		A1430096000A		THREAD LEVER				*		1	
61		A1805D980A0		HOOK DRIVING SHAFT GEAR ASM.						1	
62		SM8050402TP		SCREW				*		2	
63		A1440D250A0A		THREADER HOOK HOLDER ASM.						1	
64		SL5040631SE		SCREW						1	
65		SM4040655SN		SCREW						1	
66		WP0850616SP		WASHER A						1	
67		WP0700616SP		WASHER B						1	
68		A1804007000		HOOK DRIVING SH-AFT REAR BUSHING						1	
69		SM8050602TP		SCREW						1	
70		A1809D98000		PULLY ECCENTRIC SHAFT						1	
71		A14130960A0		NEEDLE ROD GUIDE ASM.						1	
72		SM8030402TP		SCREW				*		1	

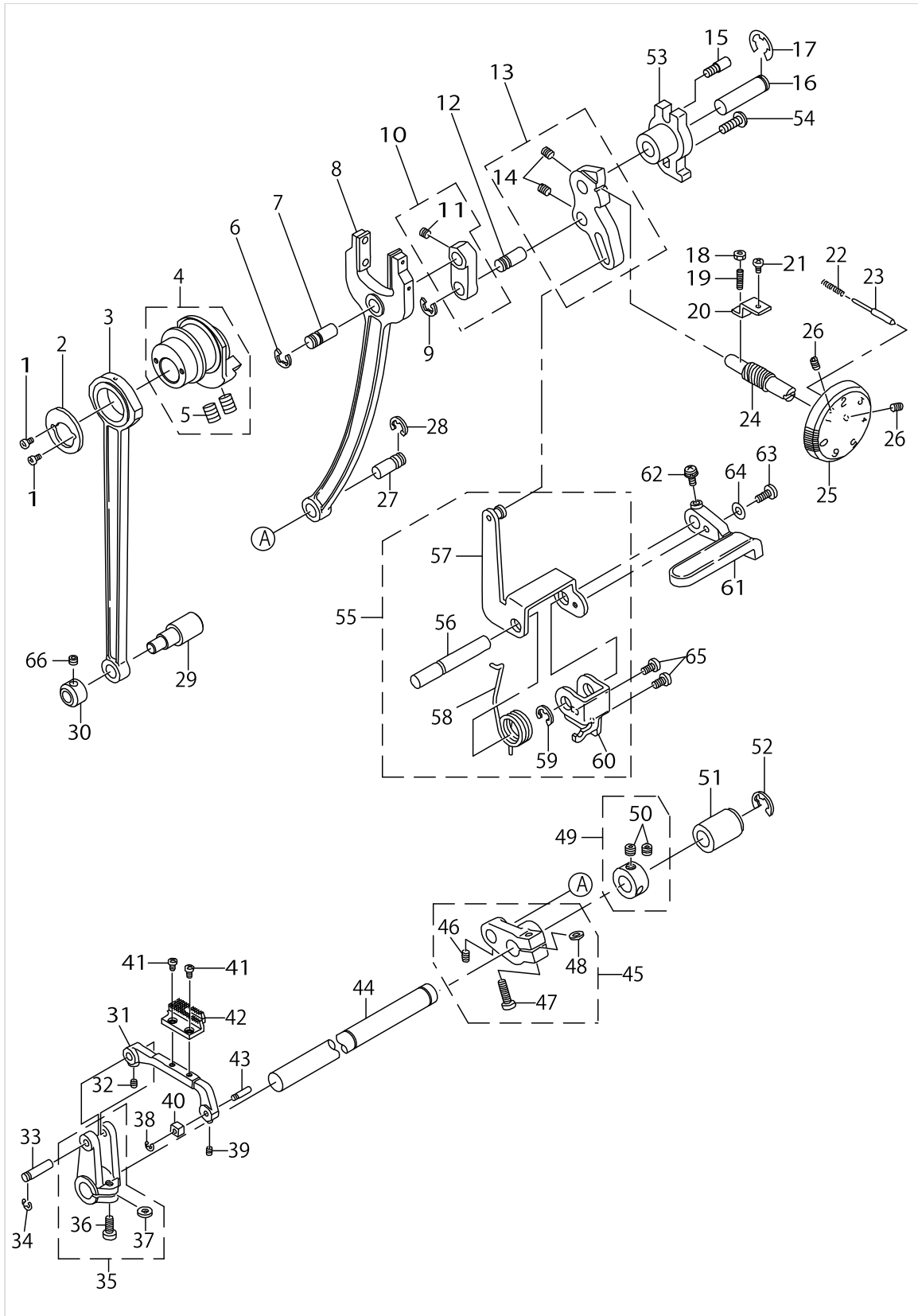
FEED MECHANISM COMPONENTS



FEED MECHANISM COMPONENTS

No.	Supply Code	Parts No.	Replacement	Parts name	Remarks	Choice	Step	Level	Cons	Qty	Rep. QTY
1		SM4860655SN		SCREW							2
2		A1208090000		FEED CAM THRUST PLATE							1
3		A1701090000		FEED ROD							1
4		A12070900A0		FEED CAM ASM.							1
5		SM8060802TP		SCREW				*			2
6		RE0600000K0		E-RING							3
7		A1618090000		CONNECTING SHAFT							1
8		A16140900A0		FORKED ROD ASM.							1
9		RE0600000K0		E-RING							1
10		A16190900A0		FORKED LINK ASM.							1
11		SM8050602TP		SCREW				*			1
12		A1618090000		FORKED ROD SHAFT							1
13		A16220900A0		FEED REGULATOR ASM.							1
14		SM8050602TP		SCREW				*			2
15		A1627090000A		ROTATION STOPPER							1
16		A1625090000A		FEED REGULATOR SHAFT							1
17		RE0600000K0		E-RING							1
18		NM6030002SF		NUT							1
19		SM8031400TP		SCREW							1
20		A1653090000		STOPPER							1
21		SM5030655SN		SCREW							1
22		A1148D25000		SPRING							1
23		A1147090000		PIN							1
24		A1652090000		SCREW							1
25		A16470960A0A		FEED DIAL ASM.							1
26		SM8030402TP		SCREW							2
27		A1618090000		FORKED ROD CON- NECTING SHAFT							1
28		RE0600000K0		E-RING							1
29		40061235		FEED ROD CONNECTING SHAFT							1
30		073195006000		THRUST COLLAR							1
31		A1602090000		FEED BASE							1
32		SM8030502TP		SCREW							1
33		A1603090000		FEED BASE SHAFT							1
34		RE0300000K0		E-RING							1
35		A16050900A0		FEED SHAFT ARM ASM.							1
36		SM4041055SP		SCREW				*			1
37		WP0430801SD		WASHER				*			1
38		RE0200000K0		E-RING							1
39		SM8030502TP		SCREW							1
40		A1710090000		FEED BASE SQUARE BLOCK							1
41		A1606090000		SCREW							2
42		A1635090000		FEED DOG A							1
43		A1711090000		SQUARE BLOCK SHAFT							1
44		A1601096000		FEED ROD SHAFT							1
45		A16120900A0		FEED ROD ARM ASM.							1
46		SM8040602TP		SCREW				*			1

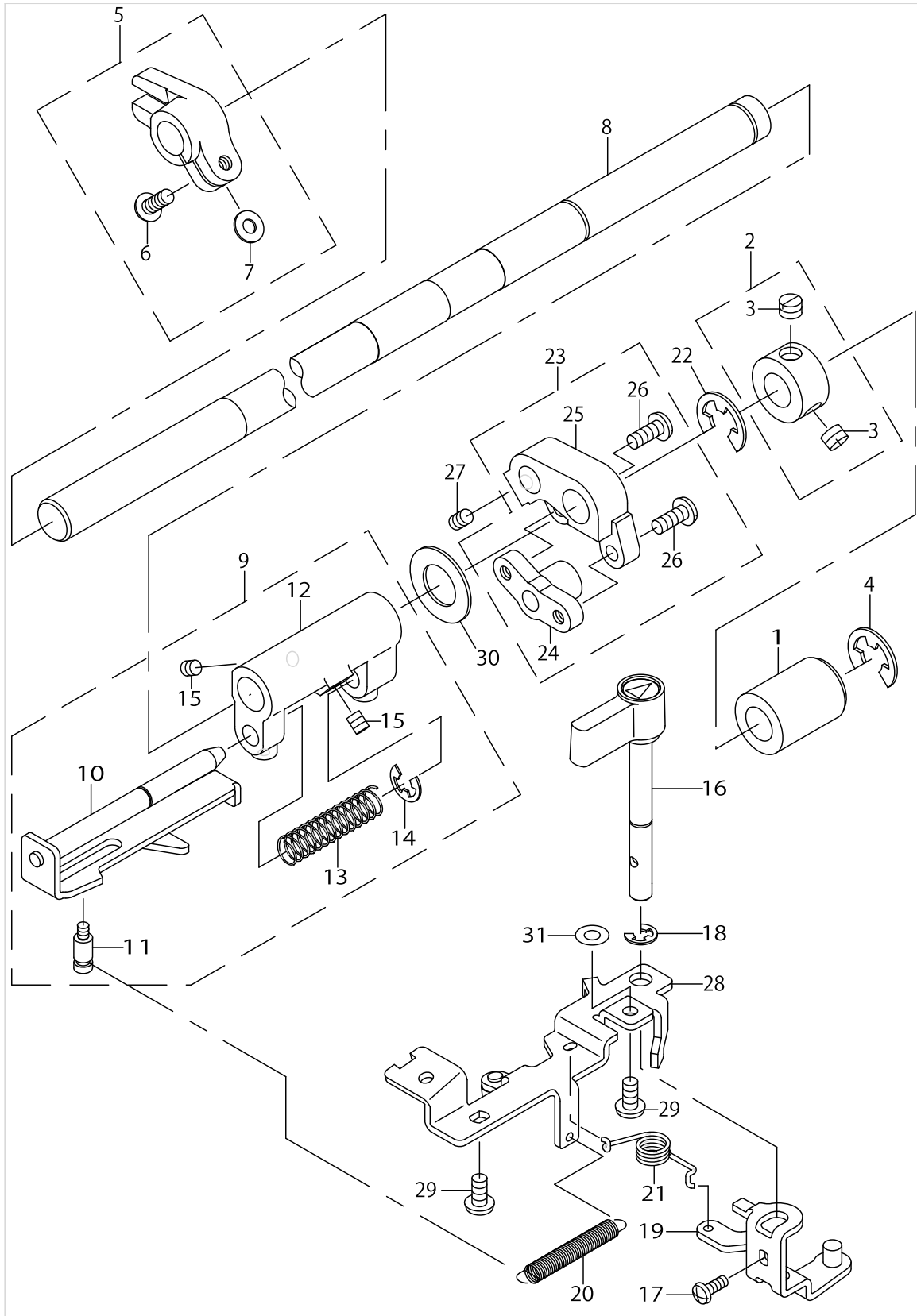
FEED MECHANISM COMPONENTS



FEED MECHANISM COMPONENTS

No.	Supply Code	Parts No.	Replacement	Parts name	Remarks	Choice	Step	Level	Cons	Qty	Rep. QTY
47		SM5041455SP		SCREW				*		1	
48		WP0430801SD		WASHER				*		1	
49		A12030080A0		THRUST COLLAR ASM.						1	
50		SM8060502TP		SCREW				*		2	
51		A1604090000		REAR BUSHING						1	
52		RE0800000K0		E-RING						1	
53		A1626090000A		FEED REGULATOR SHAFT BUSHING						1	
54		SM5041255SN		SCREW						1	
55		A16200900B0		FEED REGULATOR LEVER ARM(PARTIAL ASM.)						1	
56		A1621090000		FEED REGULATOR LEVER SHAFT				*		1	
57		A16200900A0		FEED REGULATOR LEVER ARM ASM.				*		1	
58		A1683090000		SPRING				*		1	
59		RE0600000K0		E-RING				*		1	
60		A1623090000		INSTALLING PLATE				*		1	
61		A1628090000A		FEED REGULATOR LEVER						1	
62		SL5030831SF		SCREW						1	
63		SM5041055SN		SCREW						1	
64		WP0430801SC		WASHER						1	
65		SM5040855SN		SCREW						2	
66		SM8040302TP		SETSCREW						1	

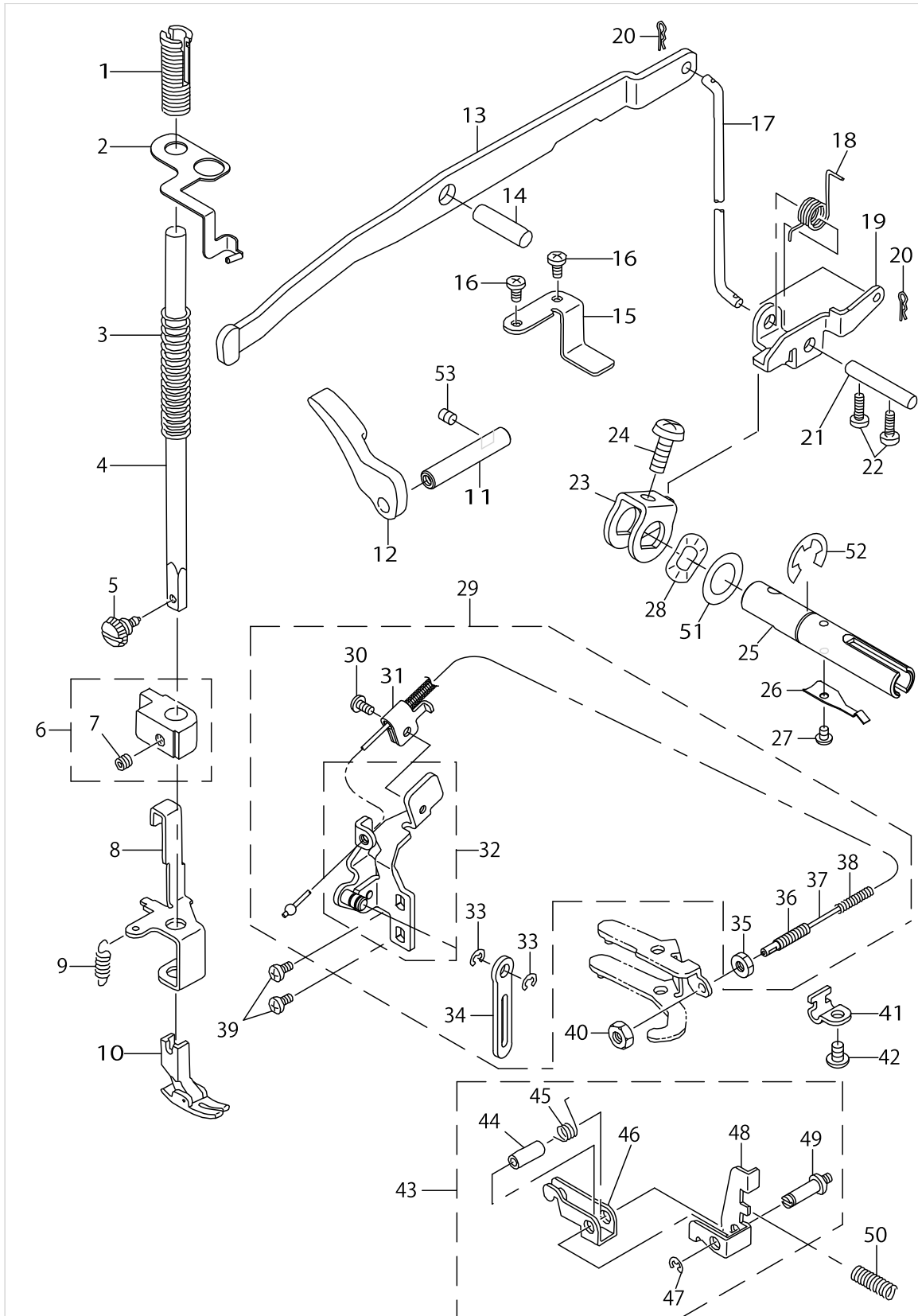
DROP FEED KNOB COMPONENTS



DROP FEED KNOB COMPONENTS

No.	Supply Code	Parts No.	Replacement	Parts name	Remarks	Choice	Step	Level	Cons	Qty	Rep. QTY
1		A1604090000		VERTICAL FEED SH- AFT REAR METAL						1	
2		A12030080A0		THRUST COLLAR ASM.						1	
3		SM8060502TP		SCREW				*		2	
4		RE0800000K0		E-RING						1	
5		A17040900A0		VERTICAL FEED SHAFT ARM ASM.						1	
6		SM4041055SP		SCREW				*		1	
7		WP0430801SD		WASHER				*		1	
8		A1601096000		VERTICAL FEED SHAFT						1	
9		A16650960B0A		DROP FEED CHANG- E SHAFT PLATE MAS. ASM.						1	
10		A16650960A0A		DROP FEED CHANG- E SHAFT PLATE ASM.				*		1	
11		A1663096000		GUIDE PIN A				*		1	
12		A1662096000		GUIDE				*		1	
13		A1667096000		SPRING				*		1	
14		RE0500000K0		E-RING				*		1	
15		SM8040402TP		SCREW				*		2	
16		A1674X280A0		DROP FEED KNOB ASM.						1	
17		SM5030855SN		SCREW						1	
18		RE0400000K0		E-RING						1	
19		A16710960A0A		DROP FEED ADJUS- TING ARM ASM.						1	
20		A1668096000		GUIDE SPRING						1	
21		A1673096000		SPRING						1	
22		RE0800000K0		E-RING						1	
23		40061238		VERTICAL FEED ARM ASM.						1	
24		40061236		DROP FEED CONNE- CTING SHAFT SUP				*		1	
25		40061237		VERTICAL FEED ARM				*		1	
26		SM3041052TN		SCREW M4 L=10				*		2	
27		SM8040602TP		SCREW						1	
28		A24460960A0		WIRE INSTALLING PLATE ASM.						1	
29		SM5040855SN		SCREW						2	
30		WP1000316RZ		WASHER						1	
31		WP0430801SD		WASHER M4						1	

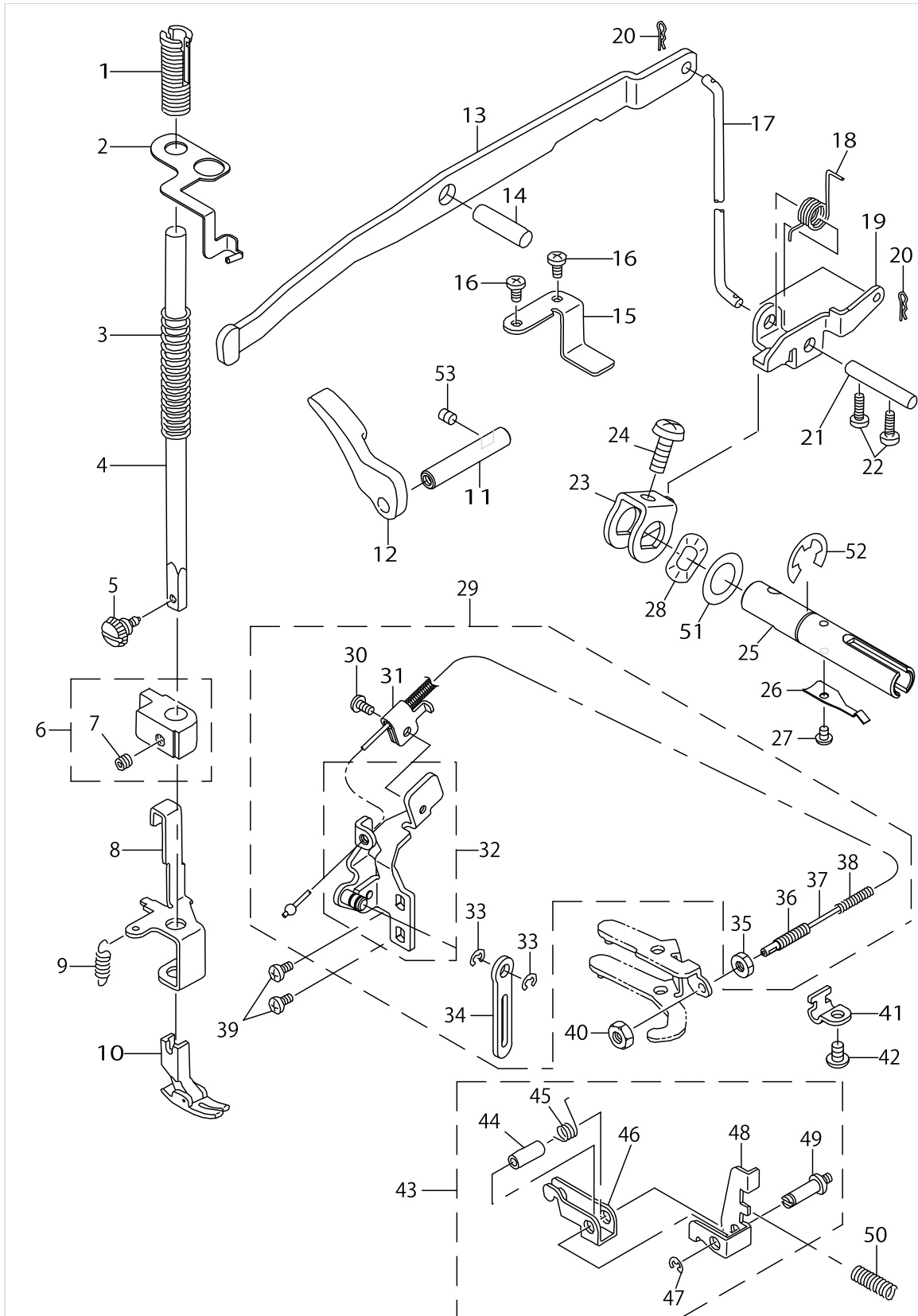
PRESSER, KNEE LIFTER, WIRE HOLDER AND THREAD RELEASE COMPONENTS



PRESSER, KNEE LIFTER, WIRE HOLDER AND THREAD RELEASE COMPONENTS

No.	Supply Code	Parts No.	Replacement	Parts name	Remarks	Choice	Step	Level	Cons	Qty	Rep. QTY
1		A1509090000		PRESSER REGULATING SCREW						1	
2		A1503D250A0		PRESSURE INDICATOR ASM.						1	
3		A1505D25000		PRESSER SPRING						1	
4		A1501090000		PRESSER BAR						1	
5		A1132025000		SCREW						1	
6		A15070960A0		PRESSER BAR CONNECTION ASM.						1	
7		SM8060502TP		SCREW				*		1	
8		40095165		PRESSER_LEVER						1	
9		A1515090000		SPRING						1	
10	R	B15240120A0	B15240120BA	STANDARD PRESSER FOOT ASM.		A	ISM			1	1.00
10	R	B15240120A0	A9836D250A0	STANDARD PRESSER FOOT ASM.		B	HSM			1	1.00
11		A1513X28000		LIFTING LEVER SHAFT						1	
12		A1512090000		LIFTING LEVER						1	
13		40095168		KNEE LIFTER LEVER						1	
14		A3407090000		KNEE LIFTER LEVER SHAFT						1	
15		A3408090000		STOPPING PLATE						1	
16		SM5040855SN		SCREW						2	
17		A3413090000		KNEE LIFTER LINK						1	
18		A3411090000		SPRING						1	
19		A3412X28000		PLATE						1	
20		A341309000A		SNAP PIN						2	
21		A3410090000		CLAW LEVER SHAFT						1	
22		SM5041255SN		SCREW						2	
23		40065584		CLAW LEVER ACTUATING PLATE						1	
24		SM5051255SN		SCREW						1	
25	R	A3420X28000	40180163	KNEE LIFTER LEVER SHAFT						1	1.00
26	R	A3421X28000	40180163	SPRING						1	1.00
27		SM5030455SF		SCREW						1	
28		A3106202000		WASHER						1	
29		40095164		ALL_ASSY_WIRE_HOLDER						1	
30		SM5030655SN		SCREW				*		1	
31		A2449090000		WIRE TUBE HOLDER B				*		1	
32		40095162		SUB_ASSY_WIRE_HOLDER				*		1	
33		RE0300000K0		E-RING				*		2	
34		A2444090000		CONNECTING LINK				*		1	
35		NS6620310SP		NUT				*		1	
36		D3159555B00		WIRE SET SCREW				*		1	
37		A2447090000		WIRE CABLE				*		1	
38		A2448090000		WIRE TUBE				*		1	
39		SM5040855SN		SCREW						2	
40		NS6620310SP		NUT						1	
41		A2441096000		WIRE TUBE HOLDER						1	
42		SM4040655SN		SCREW						1	
43		A15170900A0		THREAD RELEASE PLATE ASM.						1	
44		A151709000C		BUSHING				*		1	
45		A151709000D		SPRING				*		1	

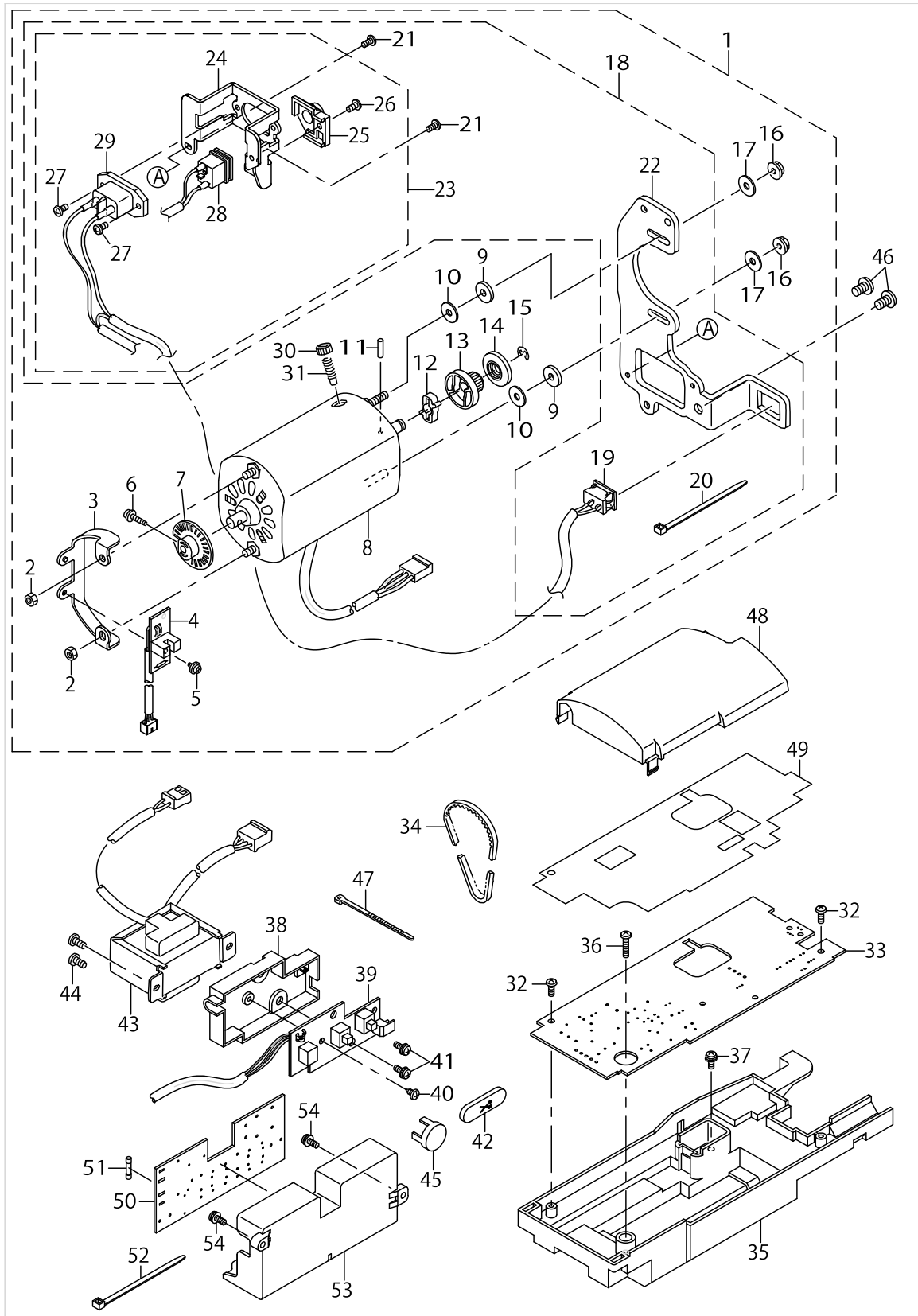
PRESSER, KNEE LIFTER, WIRE HOLDER AND THREAD RELEASE COMPONENTS



PRESSER, KNEE LIFTER, WIRE HOLDER AND THREAD RELEASE COMPONENTS

No.	Supply Code	Parts No.	Replacement	Parts name	Remarks	Choice	Step	Level	Cons	Qty	Rep. QTY
46		A151709000B		THREAD RELEASE PLATE B				*		1	
47		RE0300000K0		E-RING				*		1	
48		A151709000A		THREAD RELEASE PLATE A				*		1	
49		A1518090000		THREAD RELEASE PLATE SHAFT				*		1	
50		A1519090000		SPRING						1	
51		WP1220516RZ		WASHER 12.2X18X0.5						1	
52		RE0900000K0		E-RING 9						1	
53		SM8040412TP		SET SCREW M4 L=4						1	

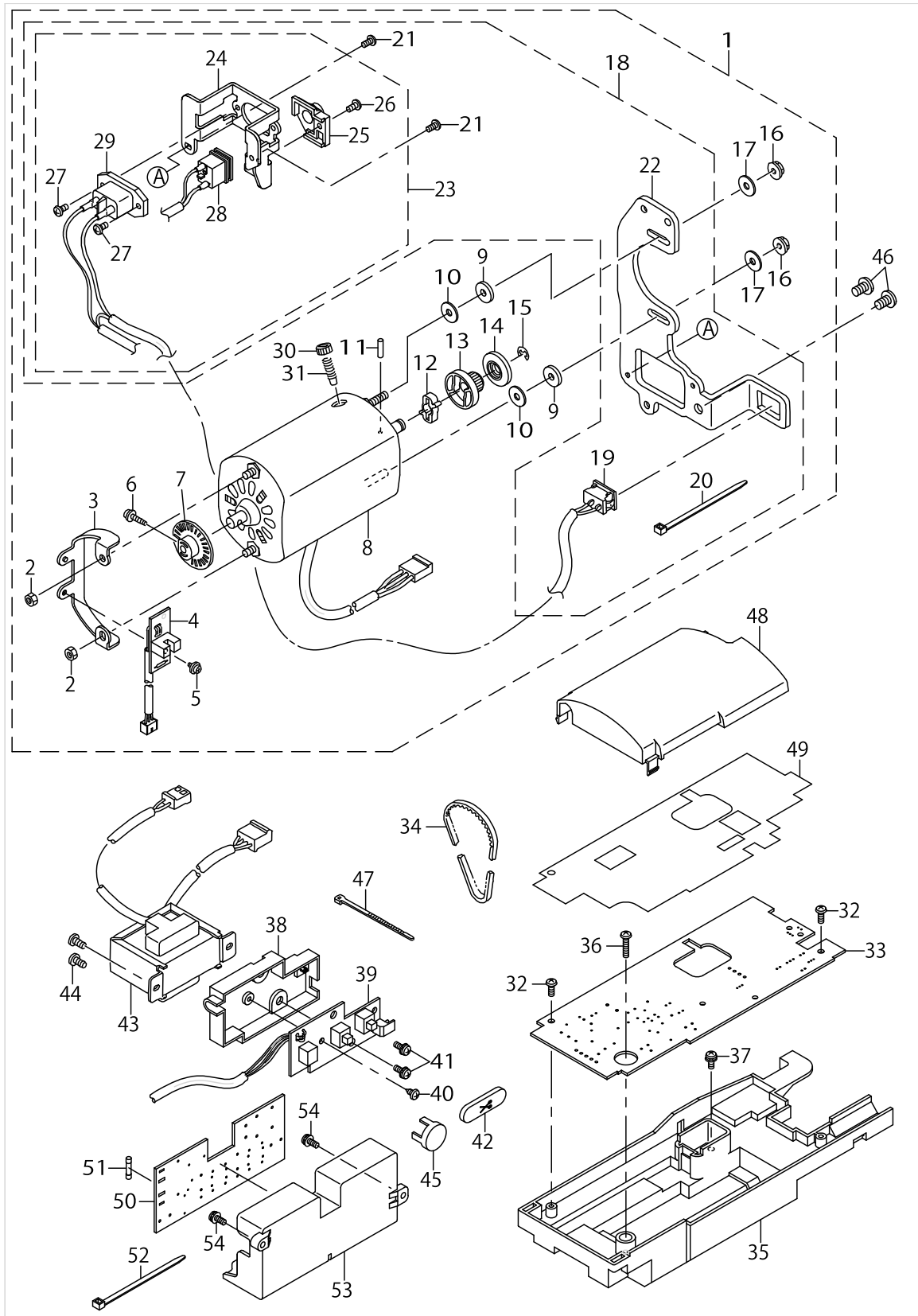
MOTOR AND MAIN CIRCUIT BOARD COMPONENTS



MOTOR AND MAIN CIRCUIT BOARD COMPONENTS

No.	Supply Code	Parts No.	Replacement	Parts name	Remarks	Choice	Step	Level	Cons	Qty	Rep. QTY
1		40096696		MOTOR_C_ASM.						1	
2		NM6040001SC		NUT				*		2	
3		A7120096000		MOTOR BOARD INSTALLING BASE				*		1	
4		A7122D250A0A		MP DETECTION BOARD ASM.				*		1	
5		SL5030531SF		SCREW				*		1	
6		SL5031251SP		SCREW				*		1	
7		A71210960A0		MP DETECTION BOARD SHUT PLATE ASM.				*		1	
8		A7100Q98ZA0A		MOTOR A ASM.				*		1	
9		060702001000		SPACER				*		1	
10		WP0451016SC		WASHERS				*		1	
11		PS0200142KP		MOTOR SHAFT PULLEY PIN				*		1	
12		A710000900C		MOTOR RUBBER CUSHION				*		1	
13		A7100D9800A		MOTOR SHAFT PULLEY				*		1	
14		A7100D9800B		PULLEY FLANGE				*		1	
15	R	RE0400000KR	RE0400000K0	E-RING				*		1	1.00
16		NM3040550SC		NUT				*		2	
17		A7113D25000		WASHER				*		1	
18		40096694		MOTOR_BRACKET_ASM.				*		1	
19		A403201SZ00		POWER SWITCH				*		1	
20		A407855000B		CLIP BAND				*		1	
21		SM5030655SN		SCREW				*		2	
22		A7101090000		MOTOR BRACKET				*		1	
23		40096693		INLET_INSTALLING_PLATE_ASM_UL				*		1	
24		40096587		INLET_INSTALLING_PLATE				*		1	
25		40096588		CONNECTOR_MOUNT				*		1	
26		SM5030655SN		SCREW M3X0.5 L=6				*		1	
27		SM5030655SN		SCREW M3X0.5 L=6				*		2	
28	R	40096550	40150888	ASSY_CONT_SOCKET		A	SL-300EX,- TL-30DXB,- TL-30DX,T- L-30SP,TL30SX	*		1	1.00
28	R	40096550	40150616	ASSY_CONT_SOCKET		A	SL-300EX,- TL-30DXB,- TL-30DX,T- L-30SP,TL30SX	*		1	1.00
28	R	40096550	40150629	ASSY_CONT_SOCKET		A	SL-300EX,- TL-30DXB,- TL-30DX,T- L-30SP,TL30SX	*		1	1.00
28	R	40096550	40150637	ASSY_CONT_SOCKET		A	SL-300EX,- TL-30DXB,- TL-30DX,T- L-30SP,TL30SX	*		1	1.00
28	R	40096550	40151716	ASSY_CONT_SOCKET		A	SL-300EX,- TL-30DXB,- TL-30DX,T- L-30SP,TL30SX	*		1	1.00
28	R	40096550	40150616	ASSY_CONT_SOCKET		B	TL-Y10SP	*		1	1.00
28	R	40096550	40150888	ASSY_CONT_SOCKET		B	TL-Y10SP	*		1	1.00
28	R	40096550	40151714	ASSY_CONT_SOCKET		B	TL-Y10SP	*		1	1.00
28	R	40096550	40150637	ASSY_CONT_SOCKET		B	TL-Y10SP	*		1	1.00
28	R	40096550	40150629	ASSY_CONT_SOCKET		B	TL-Y10SP	*		1	1.00
28	R	40096550	40150637	ASSY_CONT_SOCKET		C	TL-2010Q TWN 2000QI TWN	*		1	1.00

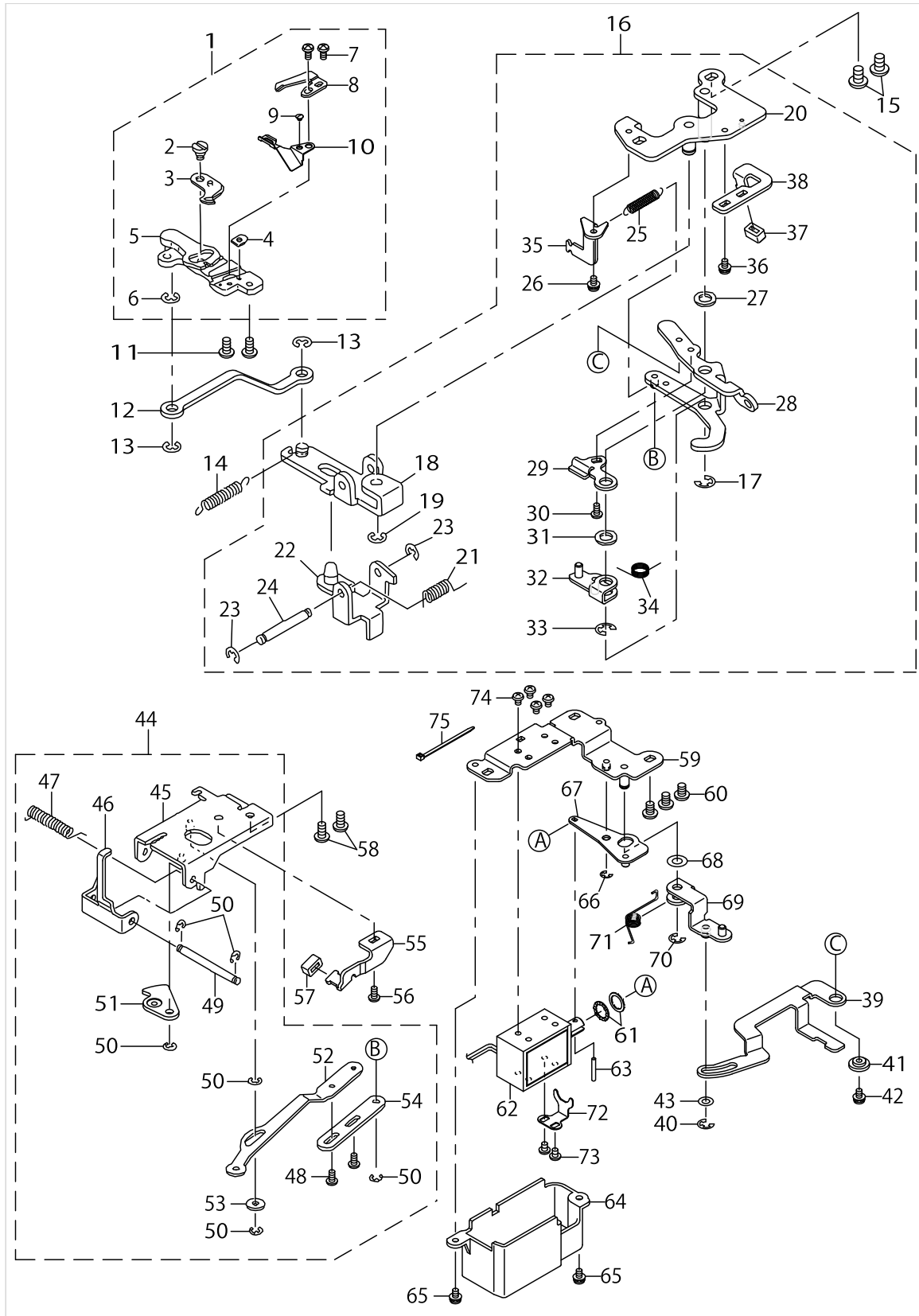
MOTOR AND MAIN CIRCUIT BOARD COMPONENTS



MOTOR AND MAIN CIRCUIT BOARD COMPONENTS

No.	Supply Code	Parts No.	Replacement	Parts name	Remarks	Choice	Step	Level	Cons	Qty	Rep. QTY
28	R	40096550	40150890	ASSY_CONT_SOCKET		C	TL-2010Q TWN 2000QI TWN	*		1	1.00
28	R	40096550	40150616	ASSY_CONT_SOCKET		C	TL-2010Q TWN 2000QI TWN	*		1	1.00
28	R	40096550	40150633	ASSY_CONT_SOCKET		C	TL-2010Q TWN 2000QI TWN	*		1	1.00
29		40096549		POWER CORD INLET ASM.				*		1	
30		A710009000E		BRUSH CAP				*		2	
31		A710009000D		CARBON BRUSH				*		2	
32		ST5030851SN		SCREW						2	
33	R	40096747	40150890	MAIN BOARD ASM.		A				1	1.00
33	R	40096747	40151716	MAIN BOARD ASM.		A				1	1.00
33	R	40096747	40150637	MAIN BOARD ASM.		A				1	1.00
33	R	40096747	40150633	MAIN BOARD ASM.		A				1	1.00
34		A7112090000		MOTOR TIMING BELT						1	
35		A4043D25000A		POWER BOARD COVER						1	
36		SM5031401SE		SCREW B						1	
37		SL5030831SF		SCREW A						1	
38		A3225096000		THREAD TRIMMER SWITCHBOARD CASE						1	
39	D	A3227D250B0A		THREAD TRIMMER SWITCH BOARD ASM.						1	
40		ST5030551SR		SCREW						1	
41		SL5030831SF		SCREW						2	
42		A3228D25000		THREAD TRIMMER SWITCH BUTTON						1	
43		A4505Q98ZA0A		POWER TRANSFORMER ASM.						1	
44		SM5040855SN		SCREW						2	
45		A4011096000A		HALF STITCH SWITCH BUTTON						1	
46		SM5050855SN		SCREW						2	
47		A407855000B		MAIN BOARD CLIP BAND						4	
48		A4042D25000		CASE COVER						1	
49		A4044D25000A		MAIN BOARD INSULATION SEAT						1	
50		A4035Q98ZA0A		FILTER BOARD ASM.						1	
51		HF0059050P0		FUSE						1	
52		A407855000B		FILTER BOARD CLIP BAND						1	
53		A4016D25000		FILTER BOARD COVER						1	
54		SL5030851SN		SCREW						1	

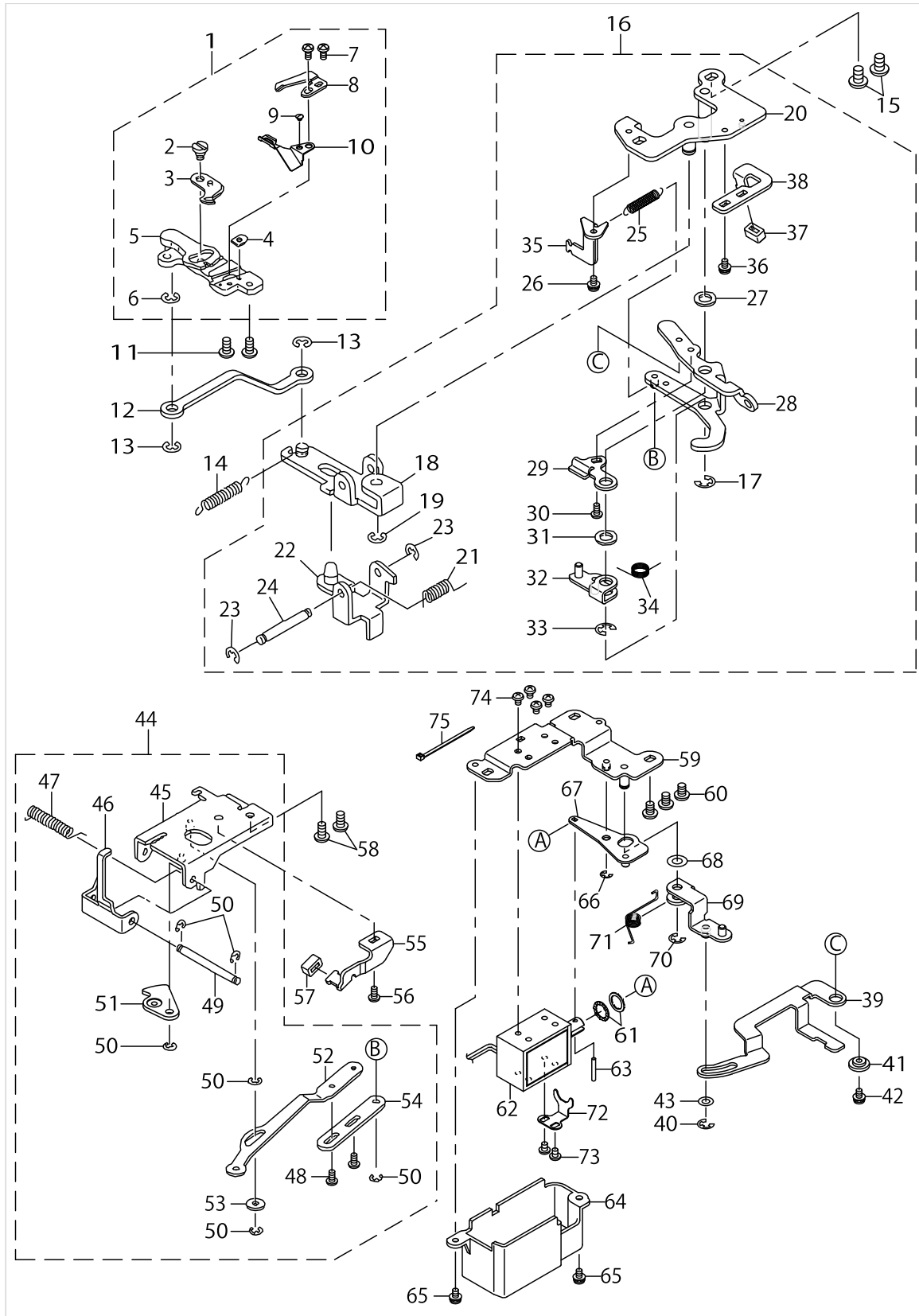
MOVING KNIFE, LOOPER AND THREAD TRIMMER SOLENOID COMPONENTS



MOVING KNIFE, LOOPER AND THREAD TRIMMER SOLENOID COMPONENTS

No.	Supply Code	Parts No.	Replacement	Parts name	Remarks	Choice	Step	Level	Cons	Qty	Rep. QTY
1		A18720900B0B		MOVING KNIFE BASE MAS. ASM.						1	
2	R	A1873090000	A18720900B0B	SCREW				*		1	1.00
3	R	11040003	11040052	MOVING KNIFE		A	工ミ/ISM	*		1	1.00
3	R	11040003	A18720900B0B	MOVING KNIFE		B	家ミ/HSM	*		1	1.00
4		D2404555B00		COUNTER KNIFE M- OUNTING PLATE				*		1	
5		A18720900A0		MOVING KNIFE BASE ASM.				*		1	
6		RE0400000K0		E-RING				*		1	
7		SM5030655SN		SCREW				*		2	
8		D2406555D0H		COUNTER KNIFE				*		1	
9		SS2060210SP		SCREW				*		1	
10	R	A1890090000B	A18720900B0B	KNIFE THREAD GUIDE				*		10	1.00
11		SM4040855SP		SCREW						2	
12		A1882D25000		MOVING KNIFE LINK						1	
13		RE0400000K0		E-RING						2	
14		A1869090000		MOVING KNIFE ARM SPRING						1	
15		SM4050855SP		SCREW						2	
16		A1870D250C0A		MOVING KNIFE INS- TALLING PLATE MAS. ASM.						1	
17		RE0500000K0		E-RING				*		1	
18		A18760900A0		MOVING KNIFE ARM ASM.				*		1	
19		RE0500000K0		E-RING				*		1	
20		A1870D250A0A		MOVING KNIFE INS- TALLING PLATE ASM.				*		1	
21		A1881090000		SPRING				*		1	
22		A18780900A0A		MOVING KNIFE ROLLER ARM ASM.				*		1	
23		RE0400000K0		E-RING				*		2	
24		A1880090000		ROLLER ARM SHAFT				*		1	
25		A3130700000		SPRING				*		1	
26		SL5030631SS		SCREW				*		1	
27		A172809000A		WASHER				*		1	
28		A1727D250A0A		LOOPER LINK ARM ASM.				*		1	
29		A1726D25000A		LINK ARM FIXING PLATE				*		1	
30		SM5030631SF		SCREW				*		1	
31		A172809000A		WASHER				*		1	
32		A1724D250A0		LINK ARM SUPPORT PLATE ASM.				*		1	
33		RE0500000K0		E-RING				*		1	
34		A1733D25000		SPRING				*		1	
35		A1729D25000		LOOPER LINK ARM SPRING RACK				*		1	
36		SL5030631SF		SCREW				*		1	
37		A1735D25A00		STOPPER RUBBER				*		1	
38		A1735D25000		LOOPER LINK ARM STOPPER PLATE				*		1	
39		A1723D25000		THREAD TRIMMER SOLENOID LINK A						1	
40		RE0400000K0		E-RING						1	
41		A2435033000		COLLAR						1	
42		SL5030655SF		SCREW						1	
43		A31099DC000		WASHER						1	

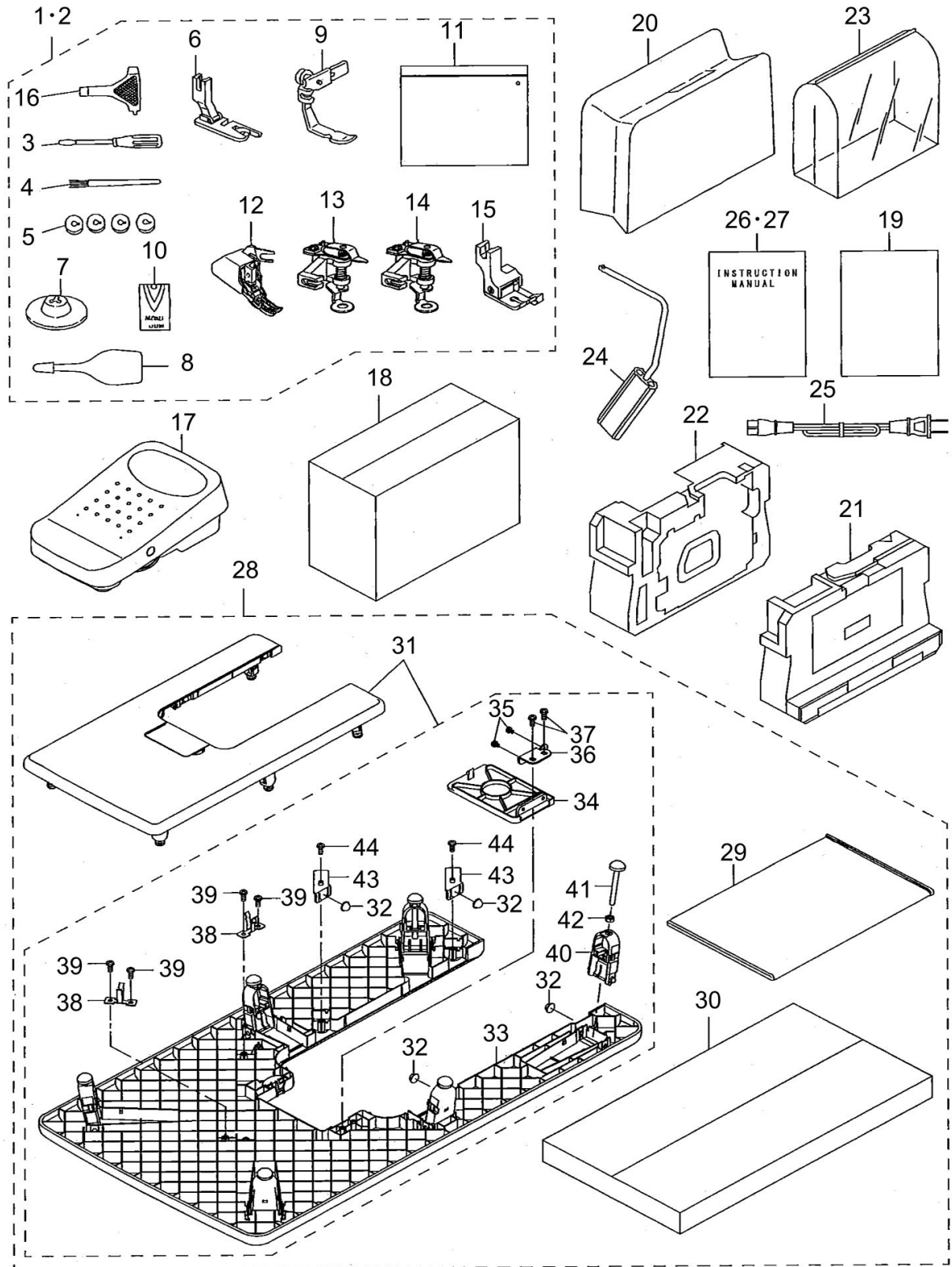
MOVING KNIFE, LOOPER AND THREAD TRIMMER SOLENOID COMPONENTS



MOVING KNIFE, LOOPER AND THREAD TRIMMER SOLENOID COMPONENTS

No.	Supply Code	Parts No.	Replacement	Parts name	Remarks	Choice	Step	Level	Cons	Qty	Rep. QTY
44		A1705D980B0A		LOOPER MAS. ASM.						1	
45		A17060900A0A		LOOPER INSTALLING ARM ASM.				*		1	
46		A1705D98000		LOOPER				*		1	
47		A1708090000		LOOPER SPRING				*		1	
48		SM5030655SN		SCREW				*		2	
49		A1707090000		LOOPER SHAFT				*		1	
50		RE0300000K0		E-RING				*		6	
51		A17120900A0		LOOPER CAM ASM.				*		1	
52		A173009000A		LOOPER LINK A				*		1	
53		WP0450816SC		WASHER				*		1	
54		A173009000B		LOOPER LINK B				*		1	
55		A1732D25000		LOOPER STOPPER PLATE						1	
56		SM5030655SN		SCREW						1	
57		A1735D25A00		STOPPER RUBBER						1	
58		SM5040855SN		SCREW						2	
59		40077579		SOLENOID_INSTALL- ING_BASE_ASM.						1	
60		SM50406055SN		SCREW						3	
61		A2470T70000		CUSHION RUBBER						1	
62		A2400D250A0A		THREAD TRIMMER SOLENOID ASM.						1	
63		PS0200142KP		PIN						1	
64		A2401D25000		SOLENOID COVER						1	
65		SL5030655SF		SCREW						2	
66		RE0300000K0		E-RING						1	
67		A2470D250A0		OPERATING LINK						1	
68		WP0530516RZ		WASHER						1	
69		A2464D250A0		AUXILIARY LINK ASM.						1	
70		RE0400000K0		E-RING						1	
71		A2467D25000		SPRING						1	
72		A2469T70000		SOLENOID STOPPER						1	
73		SM5030355SN		SCREW						2	
74		SM5030401SN		SCREW						4	
75		A407855000B		CABLE BAND						1	

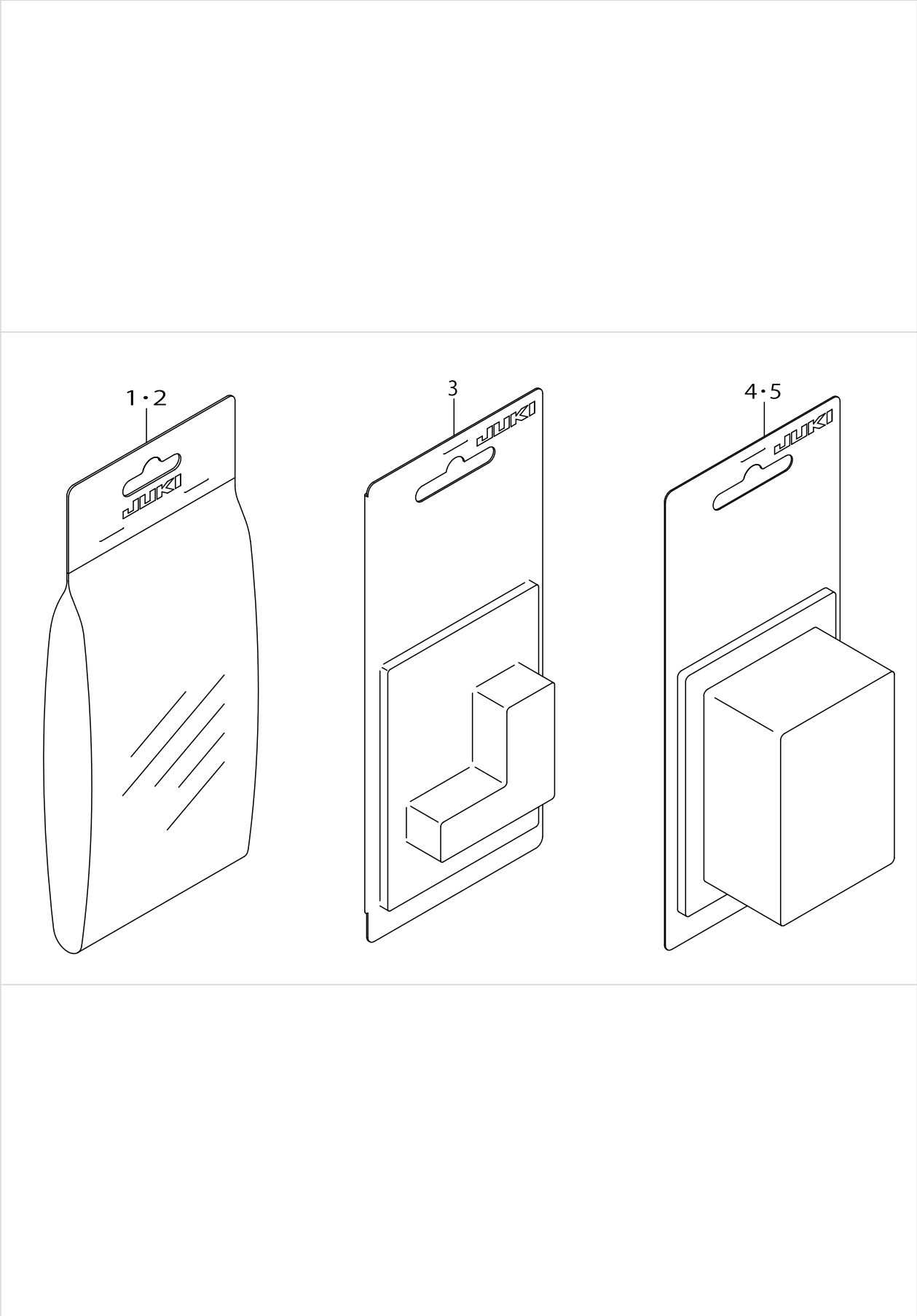
ACCESSORIES AND PACKING COMPONENTS



ACCESSORIES AND PACKING COMPONENTS

No.	Supply Code	Parts No.	Replacement	Parts name	Remarks	Choice	Step	Level	Cons	Qty	Rep. QTY
1		A9121Q98ZA0A		ACCESSORY BAG ASM.						1	
2		40098277		ACCESSORY BAG ASM.						1	
3		A9103102000		SCREWDRIVER(MEDIUM)				*		1	
4		A9137956000		CLEANING BRUSH				*		1	
5		A9117007000		BOBBIN				*		4	
6		A9104090000		HEMMER	FOR TL-2010Q			*		1	
7		A1150090000		SPOOL CAP				*		1	
8		A9102062BA0		OILER				*		1	
9		A9133090000		ZIPPER FOOT	FOR TL-2010Q			*		1	
10		MHA1M111422		NEEDLE(HAX1 #11 #14)				*		1	
11	R	B9101552000	22932800	ACCESSORY BOX				*		1	1.00
12		A9150E98ZA0A		UPPER FEED ATTACHMENT ASM.				*		1	
13		A5133E98BB0A		1/4 QUILTING FOOT	FOR TL-2010Q			*		1	
14	R	A5133E98AB0A	A5133E98AC0A	1/5 QUILTING FOOT				*		1	1.00
15		A5140E98ZA0		COMPENSATING FOOT ASM.				*		1	
16		A9110700000		SCREWDRIVER				*		1	
17	R	40097804	40144123	FOOT_CONTROLLE- R_ASM. (FOR_ABROAD)						1	1.00
18		40096731		CARTON_CASE_TL_FOREIGN						1	
19		40075482		WARRANTY_CARD(JUKI_AMERICA)						1	
20		A8401D25000		MAIN BODY CASE						1	
21		40098221		FRONT STYROFOAM						1	
22		40096976		REAR_STYROFOAM						1	
23		J0231082A0B		HEAD VINIL SHEET						1	
24	R	A3425X280A0	40180154	KNEE PAD ASM.						1	1.00
25		A6071776ZA0A		POWER CORD SET ASM. (UL)						1	
26		40096730		INSTRUCTION_MANUAL_TL2010Q	FOR TL-2010Q					1	
27		40099412		INSTRUCTION_MANUAL_TL2000Qi	FOR TL-2000Qi					1	
28	R	40098601	40180164	AUXILIARY_TABLE_SET						1	1.00
29		A9404090000		AUXILIARY TABLE POLYETHYLENE BAG				*		1	
30		40098890		FOLDER_TYPE_BOX_ASM.				*		1	
31		40098602		AUXILIARY_TABLE_ASM.				*		1	
32		A9503E50000		TABLE NON-SLIP				*		4	
33		40098308		AUXILIARY_TABLE				*		1	
34		A8508D98000		BOBBIN LID				*		1	
35		SL5030635SN		SCREW M3 L=6				*		2	
36		A8509D98000		LID INSTALLING PLATE				*		1	
37		ST5041051SR		TAPPING SCREW D=4 L=10				*		2	
38		A8504090000		KNEE PAD RETAINER				*		2	
39		ST5041051SR		TAPPING SCREW D=4 L=10				*		4	
40		40098311		TABLE_LEG				*		6	
41		A9505E50000		SCREW				*		6	
42		NM6050002SS		NUT M5				*		6	
43		40098312		TABLE_STOPPER_PLATE				*		2	
44		ST5041051SR		TAPPING SCREW D=4 L=10				*		2	

SEPARATELY-SOLD COMPONENTS



SEPARATELY-SOLD COMPONENTS

No.	Supply Code	Parts No.	Replacement	Parts name	Remarks	Choice	Step	Level	Cons	Qty	Rep. QTY
1		A9839090AA0		NEEDLE PLATE(FOR THIN MATERIALS)						1	
2		A9839090BA0		NEEDLE PLATE(FOR THICK MATERIALS)						1	
3		A98130960A0A		PRESSER FOOT FOR THIN MATERIALS ASM.						1	
4		A9811E98AA0A		1/5 QUILTING FOOT						1	
5		A9811E98BA0A		1/4 QUILTING FOOT						1	

HOW TO MAKE USE OF THIS PARTS LIST

- 1.As to "#01" and "#02" refer to the "Note" given at the bottom of the respective pages.
- 2.Codes on the "Qty" column
 - Each numeral indicates the number of parts required.
 - "0.1" and "2.5" indicate the length (in meters) of the respective parts.
- 3.Parentheses mean that the corresponding part is a subpart that constructs an assembly part.
- 4.Dotted lines on the Figures indicate assembly parts.

NUMERICAL INDEX OF PARTS

PART NO	PAGE	REF NO.	PART NO	PAGE	REF NO.	PART NO	PAGE	REF NO.
060702001000	26	9	40099412	34	26-27	A1209072000	10	8
073195006000	16	30	A1109E98Z00	2	8	A1210D25000	10	23
11040003	30	3	A1109E98ZB0	2	7	A1219907000	10	9
40061235	16	29	A1109E98ZC0	2	6	A1225090000	10	29
40061236	20	24	A1110D980A0	2	11	A1226D98000	10	24
40061237	20	25	A1112090000	2	9	A1227D98000	10	26
40061238	20	23	A1112D98000	2	12	A1228090000A	10	34
40065584	22	23	A1113E98ZA0	2	13	A1229090000	10	33
40068115	6	3	A1116D25000	4	69	A1230500000A	10	35
40075482	34	19	A1116D250A0	4	67	A1232090000A	10	30
40077579	32	59	A1118E98Z00	2	15	A1244096000	10	31
40080974	12	30	A1120202000	2	2	A1248096000	10	32
40082787	4	58	A1120313000	4	71	A1401096000A	12	6
40095162	22	32	A1121090000	2	3	A14010960B0A	12	5
40095164	22	29	A1121313000	4	70	A1402090000	12	2
40095165	22	8	A1126X28000	6	42	A1402096000A	12	11
40095168	22	13	A1127X28000	6	41	A1403090000	12	12
40096549	28	29	A1128096000	6	12	A1404072000	12	1
40096550	26	28	A1128X280A0	6	45	A1408090000	10	7
40096550	28	28	A1128X280B0	6	40	A14110900A0	12	3
40096551	8	70	A1130X28000	8	46	A14130960A0	14	71
40096587	26	24	A1132025000	22	5	A141609600AA	12	7
40096588	26	25	A11340900A0	6	29	A14160960A0	12	9
40096593	8	71	A11360900AA	6	9	A1417096000	12	10
40096594	8	68	A11360900AB	6	36	A1419D25000A	14	50
40096595	8	67	A1137090000	6	14	A1420001000	12	8
40096632	6	1-2	A113809000A	6	10	A1426096000	14	53
40096633	6	1-2	A113809000B	6	37	A142609600B	14	58
40096691	2	17-46	A1138500000A	6	15	A1430096000A	14	60
40096693	26	23	A1147090000	16	23	A14310960A0	12	44
40096694	26	18	A1148D25000	16	22	A1432096000A	14	52
40096696	26	1	A1150090000	34	7	A143209600A	14	54
40096730	34	26-27	A116009000A	4	49	A143209600C	14	56
40096731	34	18	A1160E98ZA0	4	48	A1433096000	14	47
40096747	28	33	A1160E98ZB0	4	47	A1434096000	14	55
40096976	34	22	A1161090000	4	50	A1440D250A0A	14	63
40097804	34	17	A1201D980A0	10	16	A1450096000	12	43
40098221	34	21	A1202090000	10	18	A1450D250A0	12	42
40098277	34	1-2	A1203007000	10	19	A1450D250B0	12	39
40098308	34	33	A12030080A0	18	49	A1451096000	14	57
40098311	34	40	A12030080A0	20	2	A1452096000	14	48
40098312	34	43	A1204090000	10	27	A1453096000	14	45
40098601	34	28	A12050900A0	10	21	A1501090000	22	4
40098602	34	31	A12070900A0	16	4	A1502090000	6	38
40098890	34	30	A1208090000	16	2	A150209000A	6	6

NUMERICAL INDEX OF PARTS

PART NO	PAGE	REF NO.	PART NO	PAGE	REF NO.	PART NO	PAGE	REF NO.
A150209000B	6	5	A1667096000	20	13	A1873090000	30	2
A150209000C	6	39	A1668096000	20	20	A18760900A0	30	18
A1503D250A0	22	2	A16710960A0A	20	19	A18780900A0A	30	22
A1505D25000	22	3	A1673096000	20	21	A1880090000	30	24
A15070960A0	22	6	A1674X280A0	20	16	A1881090000	30	21
A1509090000	22	1	A1683090000	18	58	A1882D25000	30	12
A1512090000	22	12	A1701090000	16	3	A1890090000B	30	10
A1513X28000	22	11	A17040900A0	20	5	A18910960A0	12	33
A1515090000	22	9	A1705D98000	32	46	A19010900A0	10	5
A151709000A	24	48	A1705D980B0A	32	44	A19010900B0	10	3
A151709000B	24	46	A17060900A0A	32	45	A19010900C0	10	1
A151709000C	22	44	A1707090000	32	49	A1902090000	10	2
A151709000D	22	45	A1708090000	32	47	A19040900A0	10	4
A15170900A0	22	43	A1710090000	16	40	A2400D250A0A	32	62
A1518090000	24	49	A1711090000	16	43	A2401D25000	32	64
A1519090000	24	50	A17120900A0	32	51	A24020900A0B	12	37
A1601096000	16	44	A1723D25000	30	39	A2435033000	2	30
A1601096000	20	8	A1724D250A0	30	32	A2435033000	30	41
A1602090000	16	31	A1726D25000A	30	29	A2441096000	22	41
A1603090000	16	33	A1727D250A0A	30	28	A2444090000	22	34
A1604090000	18	51	A172809000A	30	31	A24460960A0	20	28
A1604090000	20	1	A1729D25000	30	35	A2447090000	22	37
A16050900A0	16	35	A173009000A	32	52	A2448090000	22	38
A1606090000	16	41	A173009000B	32	54	A2449090000	22	31
A16120900A0	16	45	A1732D25000	32	55	A2461D25000	12	35
A16140900A0	16	8	A1733D25000	30	34	A2462D25000	12	26
A1618090000	16	27	A1735D25000	30	38	A2464D250A0	32	69
A16190900A0	16	10	A1735D25A00	30	57	A2467D25000	32	71
A16200900A0	18	57	A1735D25A00	32	57	A2469T70000	32	72
A16200900B0	18	55	A1801D98000	12	29	A2470D250A0	32	67
A1621090000	18	56	A1802007000	12	27	A2470T70000	32	61
A16220900A0	16	13	A1804007000	14	68	A3106202000	22	28
A1623090000	18	60	A1805D980A0	14	61	A31099DC000	30	43
A1625090000A	16	16	A180909600A	12	31	A3111D98000	2	35
A1626090000A	18	53	A1809D98000	14	70	A311209000AA	2	37
A1627090000A	16	15	A1830D250AA	12	24	A3114D25000	2	20
A1628090000A	18	61	A18350900A0B	12	17	A3115D25000	8	53
A1635090000	16	42	A1835090A00A	12	18	A3116Q98Z00	8	54
A16470960A0A	16	25	A183770000A	12	21	A3117090000	8	55
A1652090000	16	24	A1837D250AB	12	22	A31180900A0	8	59
A1653090000	16	20	A1869090000	30	14	A3119096000	8	57
A1662096000	20	12	A1870D250A0A	30	20	A3120D250A0	8	63
A1663096000	20	11	A1870D250C0A	30	16	A3122D250A0A	2	36
A16650960A0A	20	10	A18720900A0	30	5	A3123D25000	8	65
A16650960B0A	20	9	A18720900B0B	30	1	A3124096A00	2	45

NUMERICAL INDEX OF PARTS

PART NO	PAGE	REF NO.	PART NO	PAGE	REF NO.	PART NO	PAGE	REF NO.
A3124D25000	2	43	A4043D25000A	28	35	A9102062BA0	34	8
A3127090000B	2	38	A4044D25000A	28	49	A9103102000	34	3
A3128098000	2	33	A407855000B	4	62	A9104090000	34	6
A3130700000	30	25	A407855000B	8	52	A9110700000	34	16
A3132D98000	2	40	A407855000B	26	52	A9117007000	12	23
A3133D98000	2	41	A407855000B	28	52	A9117007000	34	5
A3135096000	2	22	A407855000B	32	75	A9121Q98ZA0A	34	1·2
A3151535000	8	62	A4502E98Z00	4	64	A9133090000	34	9
A3189030Z00	6	44	A4505Q98ZA0A	28	43	A9137956000	34	4
A3190030Z00	6	43	A4508X280A0A	4	55	A9150E98ZA0A	34	12
A32040900A0	6	21	A4509X28000	4	52	A9404090000	34	29
A3205090000	6	23	A4510X28000	4	54	A9503E50000	34	32
A3206030000	2	29	A4510X280A0	4	53	A9505E50000	34	41
A3208X28000	6	22	A4519X280A0	4	51	A9811E98AA0A	36	4·5
A321600100A	6	24	A5000096000	2	27	A9811E98BA0A	36	4·5
A3217072000	6	30	A50000960A0	2	26	A98130960A0A	36	3
A3218096000	6	32	A5001090000	2	25	A9839090AA0	36	1·2
A32190960A0	6	33	A5002096000	2	28	A9839090BA0	36	1·2
A3221096000	6	18	A5133E98AB0A	34	14	B15240120A0	22	10
A3222090000	6	35	A5133E98BB0A	34	13	B1806038000	12	28
A3225096000	28	38	A5140E98ZA0	34	15	B3120125000	2	44
A32260960A0A	6	19	A6071776ZA0A	34	25	B3126012000	2	39
A3227D250B0A	28	39	A710000900C	26	12	B3129012A00	2	42
A3228D25000	28	42	A710009000D	28	31	B9101552000	34	11
A32319570A0	6	7	A710009000E	28	30	D2404555B00	30	4
A3235096000	6	25	A7100D9800A	26	13	D2406555D0H	30	8
A3236096000	6	26	A7100D9800B	26	14	D3159555B00	22	36
A3407090000	22	14	A7100Q98ZA0A	26	8	HF0059050P0	28	51
A3408090000	22	15	A7101090000	26	22	J0231082A0B	34	23
A3410090000	22	21	A7103H25000	2	17·46	MHA100B1400	12	14
A3411090000	22	18	A7105D25000	2	4	MHA1M111422	34	10
A3412X28000	22	19	A7110090000	10	25	NM3040550SC	26	16
A3413090000	22	17	A7112090000	28	34	NM6030002SF	16	18
A341309000A	22	20	A7113D25000	26	17	NM6040001SC	26	2
A3420X28000	22	25	A7120096000	26	3	NM6050002SS	34	42
A3421X28000	22	26	A71210960A0	26	7	NS6620310SP	22	40
A3425X280A0	34	24	A7122D250A0A	26	4	PH0200062C0	12	41
A3805096000	8	51	A72010900A0	10	14	PS0200142KP	26	11
A3805Q98ZA0	8	50	A72010900B0	10	10	PS0200142KP	32	63
A3811550000	4	59	A72030900A0	10	12	RE0200000K0	16	38
A4011096000A	28	45	A7204090000A	10	13	RE0250000K0	14	46
A4016D25000	28	53	A8401D25000	34	20	RE0300000K0	2	16
A403201SZ00	26	19	A8504090000	34	38	RE0300000K0	16	34
A4035Q98ZA0A	28	50	A8508D98000	34	34	RE0300000K0	22	47
A4042D25000	28	48	A8509D98000	34	36	RE0300000K0	24	47

NUMERICAL INDEX OF PARTS

PART NO	PAGE	REF NO.	PART NO	PAGE	REF NO.	PART NO	PAGE	REF NO.
RE0300000K0	32	66	SM4041055SP	16	36	SM5051255SN	22	24
RE0400000K0	20	18	SM4041055SP	20	6	SM8030402TP	14	72
RE0400000K0	30	70	SM4050855SP	30	15	SM8030402TP	16	26
RE0400000K0	32	70	SM4831001SF	6	28	SM8030502TP	16	39
RE0400000KR	26	15	SM4860655SN	16	1	SM8031400TP	16	19
RE05000000K0	30	33	SM5020301SC	8	47	SM8040302TP	18	66
RE0500000K0	20	14	SM5030355SN	14	51	SM8040402TP	12	36
RE0500000K0	30	19	SM5030355SN	32	73	SM8040402TP	20	15
RE0600000K0	10	11	SM5030401SN	32	74	SM8040412TP	24	53
RE0600000K0	12	16	SM5030455SF	8	72	SM8040602TP	2	19
RE0600000K0	16	59	SM5030455SF	22	27	SM8040602TP	12	15
RE0600000K0	18	59	SM5030501SC	8	66	SM8040602TP	16	46
RE0800000K0	18	52	SM5030631SF	30	30	SM8040602TP	20	27
RE0800000K0	20	22	SM5030655SN	2	32	SM8050402TP	12	62
RE0900000K0	24	52	SM5030655SN	6	64	SM8050402TP	14	62
RE1000000K0	10	28	SM5030655SN	8	64	SM8050602TP	10	36
SL5030531SF	26	5	SM5030655SN	12	40	SM8050602TP	12	69
SL5030631SF	30	36	SM5030655SN	16	21	SM8050602TP	14	69
SL5030631SS	30	26	SM5030655SN	22	30	SM8050602TP	16	14
SL5030635SN	2	31	SM5030655SN	26	27	SM8060502TP	10	22
SL5030635SN	6	27	SM5030655SN	30	56	SM8060502TP	18	50
SL5030635SN	34	35	SM5030655SN	32	56	SM8060502TP	20	3
SL5030655SF	30	65	SM5030855SN	20	17	SM8060502TP	22	7
SL5030655SF	32	65	SM5031401SE	28	36	SM8060510SP	12	4
SL5030801SN	2	34	SM5040601SE	4	65	SM8060802TP	16	5
SL5030801SN	6	31	SM50406055SN	32	60	SS2060210SP	30	9
SL5030831SF	2	24	SM5040655SN	4	63	SS6110560TP	12	25
SL5030831SF	18	62	SM5040655SN	6	16	ST4861051SN	4	68
SL5030831SF	28	41	SM5040855SN	10	15	ST5030551SR	28	40
SL5030851SN	28	54	SM5040855SN	12	20	ST5030851SN	4	57
SL5031031SE	6	20	SM5040855SN	18	65	ST5030851SN	28	32
SL5031251SP	26	6	SM5040855SN	20	29	ST5041051SR	34	44
SL5040631SE	8	61	SM5040855SN	22	39	WP0250501SC	6	4
SL5040631SE	14	64	SM5040855SN	28	44	WP0430801SC	18	64
SM1040800SL	2	18	SM5040855SN	32	58	WP0430801SD	16	48
SM1860601SC	14	59	SM5041055SN	4	66	WP0430801SD	18	48
SM3041052TN	20	26	SM5041055SN	18	63	WP0430801SD	20	31
SM4020201SC	2	14	SM5041255SN	2	5	WP0450816SC	32	53
SM4020301SC	4	56	SM5041255SN	18	54	WP0451016SC	26	10
SM4020301SN	12	19	SM5041255SN	22	22	WP0530516RZ	32	68
SM4040655SN	14	65	SM5041455SP	18	47	WP0620316RZ	10	6
SM4040655SN	22	42	SM5042005SN	8	49	WP0700616SP	14	67
SM4040855SP	2	23	SM5050855SN	28	46	WP0850616SP	14	66
SM4040855SP	30	11	SM5051255SN	2	72	WP1000316RZ	20	30
SM4041055SF	6	34	SM5051255SN	4	72	WP1220516RZ	24	51