

MODEL : MO-1000/MO-2000QVP

List No : 6028-03

# PARTS LIST

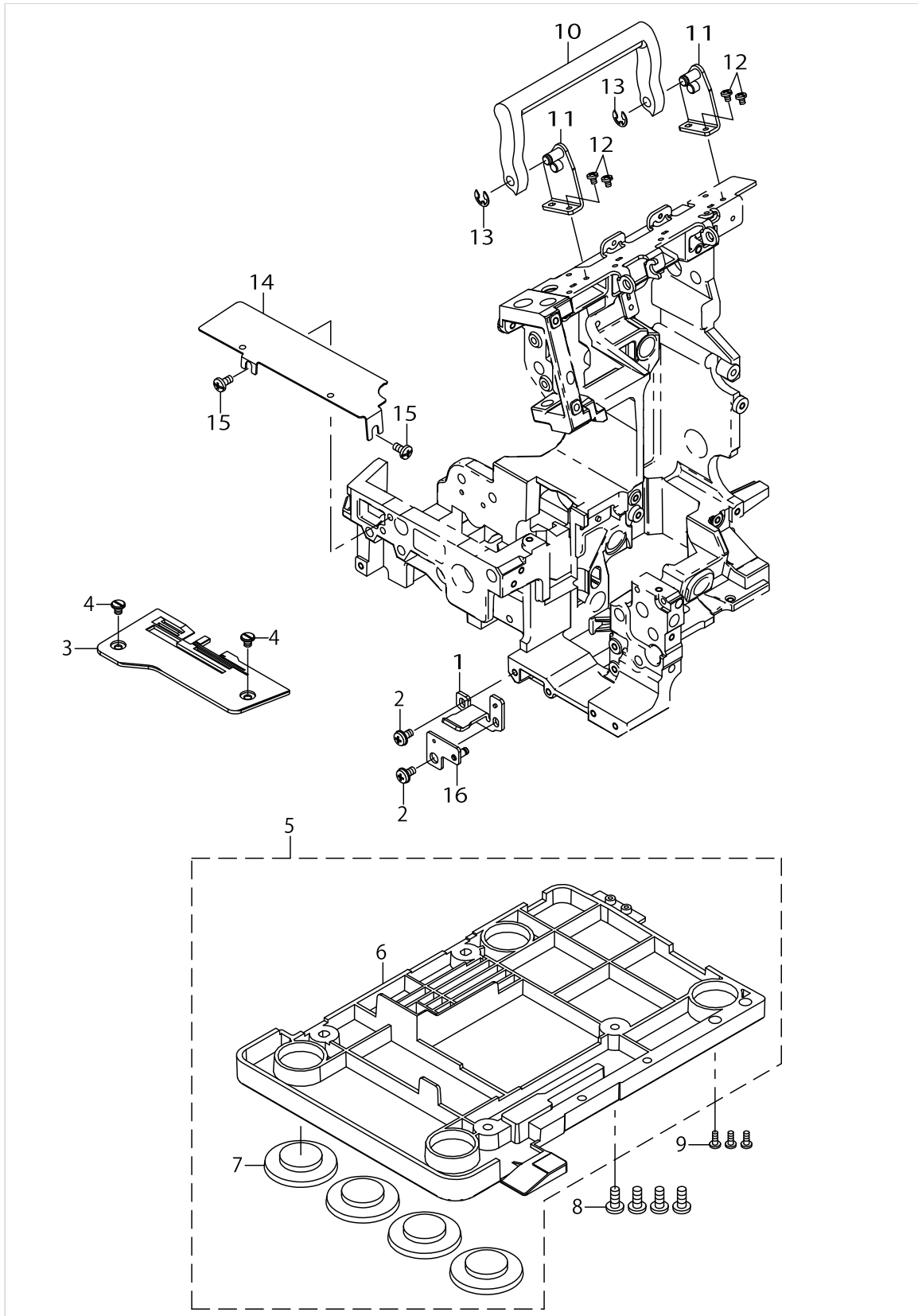
Published:05/12/2017

## CONTENTS

---

MISCELLANEOUS COVER COPMONENTS (1).....	1
MISCELLANEOUS COVER COPMONENTS (2).....	3
MISCELLANEOUS COVER COPMONENTS (3).....	5
PRESSER COMPONENTS.....	9
NEEDLE BAR & MAIN SHAFT COMPONENTS.....	11
NEEDLE THREADING COMPONENTS.....	13
FEED MECHANISM.....	15
LOOPER & NEEDLE GUARD COMPONENTS.....	21
LOOPER THREADING COMPONENTS.....	25
KNIFE DRIVE COMPONENTS.....	29
STITCH TONGUE COMPONENTS.....	33
THREAD TENSION COMPONENTS.....	37
TRANSMISSION & MOTOR COMPONENTS.....	39
LCD COMPONENTS (FOR MO-1000ML,MO-2000QVP).....	43
ACCESSORIE PARTS COMPONENTS.....	45
OPTION COMPONENTS.....	49
HOW TO MAKE USE OF THIS PARTS LIST.....	51

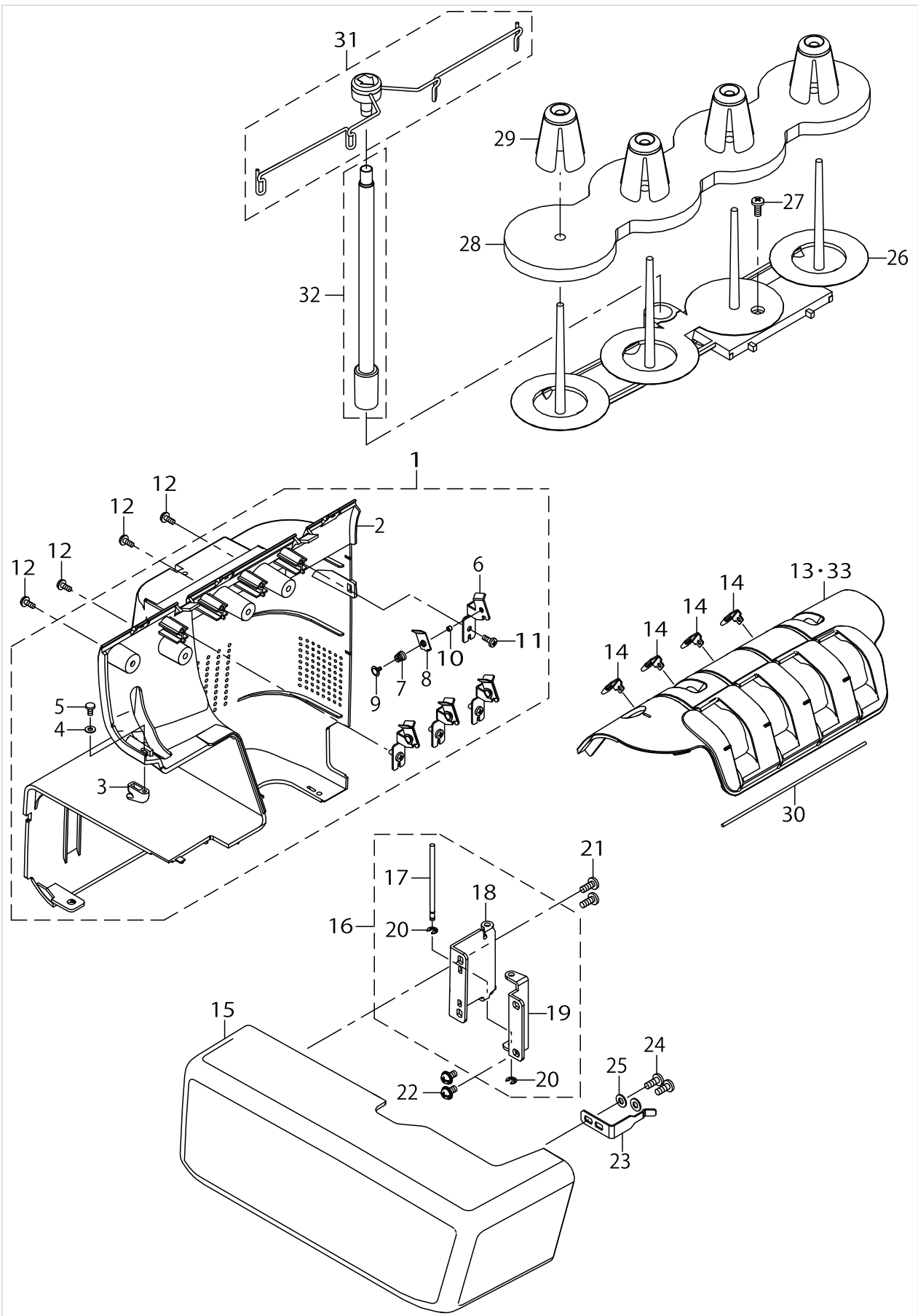
MISCELLANEOUS COVER COPMONENTS (1)



MISCELLANEOUS COVER COPMONENTS (1)

No.	Supply Code	Parts No.	Replacement	Parts name	Remarks	Choice	Step	Level	Cons	Qty	Rep. QTY
1		40143819		CLOTH_PLATE_PRESSER_PLATE						1	
2		SL5040835SN		SCREW M4 L=8						2	
3		40134941		NEEDLE_PLATE_ASM						1	
4		A1138335000		THROAT PLATE SETSCREW						2	
5		40136212		BASE PLATE ASM.						1	
6		40134021		BASE_PLATE				*		1	
7		A1123535000		SUCTION FEET				*		4	
8		SM5051255SN		SCREW						4	
9		ST5030851SN		SCREW M5X8						3	
10		A1145110000		HANDLE						1	
11		40134395		HANDLE_BRACKET_ASSY						2	
12		SM5030455SF		SCREW M3 L=4						4	
13		RE0500000K0		E-RING						2	
14		A1135535000		OP COVER						1	
15		SM5040855SN		SCREW						2	
16		40143822		KNIFE_DRIVE_ROD_- SPRING_PIN_ASSY						1	

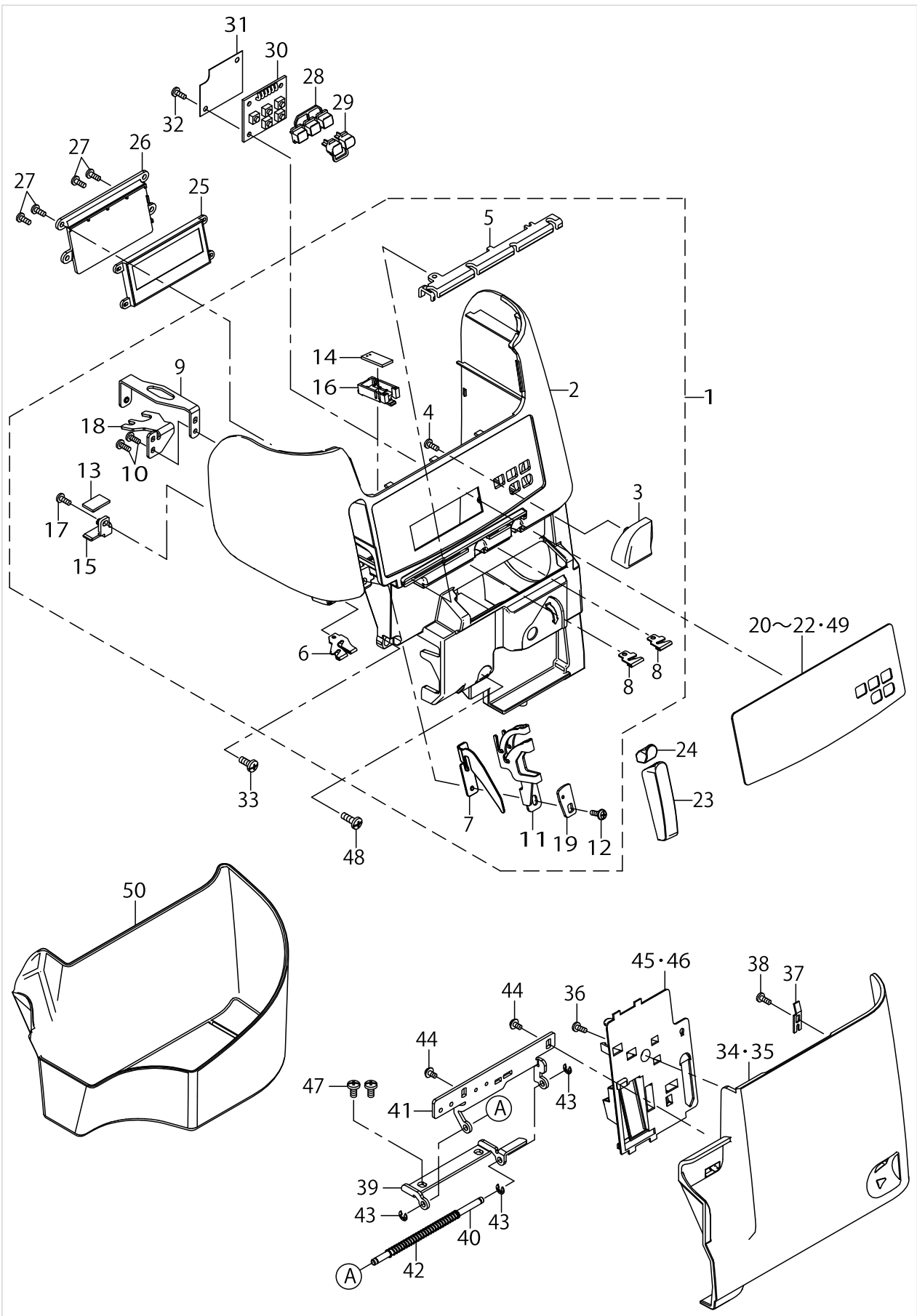
MISCELLANEOUS COVER COPMONENTS (2)



MISCELLANEOUS COVER COPMONENTS (2)

No.	Supply Code	Parts No.	Replacement	Parts name	Remarks	Choice	Step	Level	Cons	Qty	Rep. QTY
1		40136215		REAR_COVER_MO-1000_ASSY						1	
2		40134040		REAR_COVER				*		1	
3		A11381100A0		THREAD CUTTER BASE PLATE				*		1	
4		WP0320501SC		WASHER M3				*		1	
5		ST5030651SR		TAPPING SCREW D=3 L=6				*		1	
6		40134326		FIRST_THREAD_GUIDE_BASE				*		4	
7		40143792		1ST_THREAD_GUIDE_SPRING				*		4	
8		A3171800000		1ST THREAD GUIDE DISK				*		4	
9		A3107776000A		SCREW				*		4	
10		A3176776000		1ST THREAD GUIDE COLLAR				*		4	
11		ST5030851SN		SCREW M5X8				*		4	
12		SL5030831SF		SCREW M3 L=8				*		4	
13		40134046		TOP_COVER						1	
14		40134328		THREAD_GUIDE						4	
15		40139918		CLOTH_PLATE						1	
16		40135001		CLOTH_PLATE_HINGE_ASM						1	
17		40135002		CLOTH_PLATE_HINGE_SHAFT				*		1	
18		40135003		CLOTH_PLATE_HINGE_A				*		1	
19		40135004		CLOTH_PLATE_HINGE_B				*		1	
20		RE0300000K0		E-RING 3				*		2	
21		ST5041051SN		SCREW						2	
22		SL4040855SN		SCREW M4 L=8						2	
23		A1160634000		CLOTH PLATE OPENING SPRING						1	
24		ST5041051SN		SCREW						2	
25		WP0430801SC		WASHER M4						2	
26		A1118776000B		SPOOL HOLDER						1	
27		ST5041051SN		SCREW						1	
28		A1121776000		FOAM PAD						1	
29		A1120202000		SPOOL RETAINER						4	
30		A1421776000		SECOND THREAD GUIDE						1	
31		A11211100A0		SPOOL HOLDER THR.GUIDE ASM.						1	
32		A11207760A0B		SUPPORTING ROD ASM.						1	
33		40166567		TOP_COVER_MO2000QVP	FOR MO-2000QVP					1	

MISCELLANEOUS COVER COPONENTS (3)

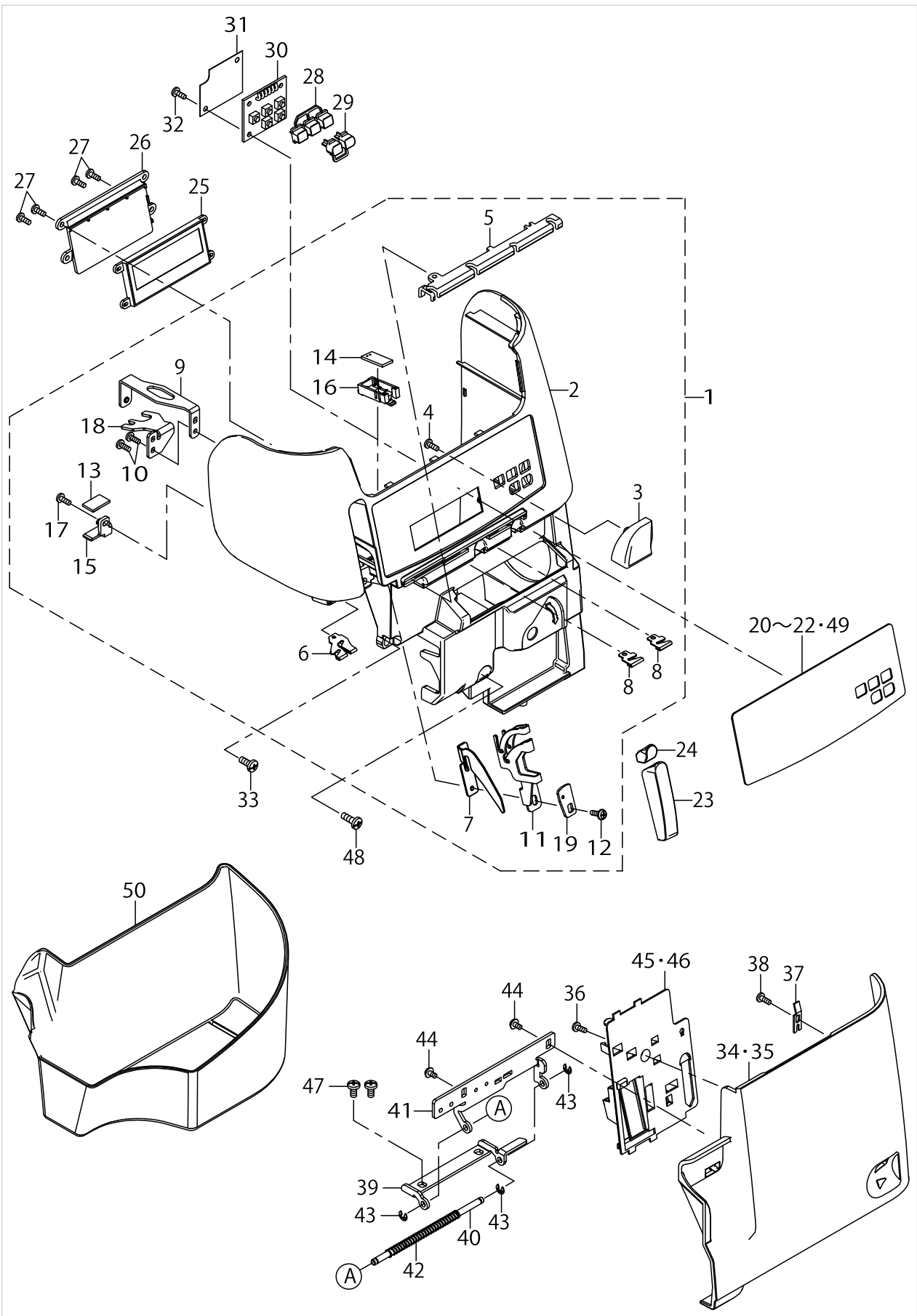


MISCELLANEOUS COVER COPMONENTS (3)

No.	Supply Code	Parts No.	Replacement	Parts name	Remarks	Choice	Step	Level	Cons	Qty	Rep. QTY
1		40136206		FRONT_COVER_MO-1000_ASSY						1	
2		40134022		FRONT_COVER				*		1	
3		A1152110000		LOOPER COVER GUIDE PLATE				*		1	
4		ST5030851SN		SCREW M5X8				*		1	
5		A3110130000		THREAD_GUIDE A				*		1	
6		40134322		NEEDLE_THREAD_GUIDE_B				*		1	
7		40134323		NEEDLE_THREAD_GUIDE_PLATE				*		1	
8		A3110202000		THREAD GUIDE B				*		2	
9		40134324		COVER_BRACKET				*		1	
10		ST5031051SN		TAPPING SCREW				*		2	
11		40134325		THREAD_TAKE_UP_GUIDE				*		1	
12		SL5031031SN		SCREW M3 L=10				*		1	
13		40134563		LED_PCB_A_ASSY				*		1	
14		40134564		LED_PCB_B_ASSY				*		1	
15		40134077		LED_LAMP_COVER_A				*		1	
16		40134078		LED_LAMP_COVER_B				*		1	
17		ST5030851SN		SCREW M5X8				*		1	
18		40140665		FRONT COVERBRACKET L				*		1	
19		A2538554000		PLATE				*		1	
20		40134037		OPERATION_PANEL_MO-1000	FOR MO-1000					1	
21		40134034		OPERATION_PANEL_MO-1000M	FOR MO-1000M					1	
22		40134031		OPERATION_PANEL_MO-1000ML	FOR MO-1000ML					1	
23		40134025		TAKE_UP_COVER_A						1	
24		40134028		TAKE_UP_COVER_B						1	
25		40134484		LCD MODULE	FOR MO-1-000ML,MO-2000QVP					1	
26		40134069		LCD_BRACKET	FOR MO-1-000ML,MO-2000QVP					1	
27		ST5030851SN		SCREW M5X8	FOR MO-1-000ML,MO-2000QVP					4	
28		40134070		FUNCTION_BUTTON	FOR MO-1-000ML,MO-2000QVP					1	
29		40134073		PATTERN_SELECT_BUTTON	FOR MO-1-000ML,MO-2000QVP					1	
30		40131834		SW_PCB_ASSY	FOR MO-1-000ML,MO-2000QVP					1	
31		40135476		INSULATION_SHEET	FOR MO-1-000ML,MO-2000QVP					1	
32		ST5030851SN		SCREW M5X8	FOR MO-1-000ML,MO-2000QVP					3	
33		SM5041055SN		SCREW M4X10						1	
34		40166586		LOOPER_COVER_M-O-2000QVP_ASSY	FOR MO-2000QVP					1	
35		40136217		LOOPER_COVER_ASSY						1	
36		ST5030851SN		SCREW M5X8						1	
37		A1156776000		LOOPER COVER ADJUSTING PLATE						1	
38		ST5030851SN		SCREW M5X8						1	



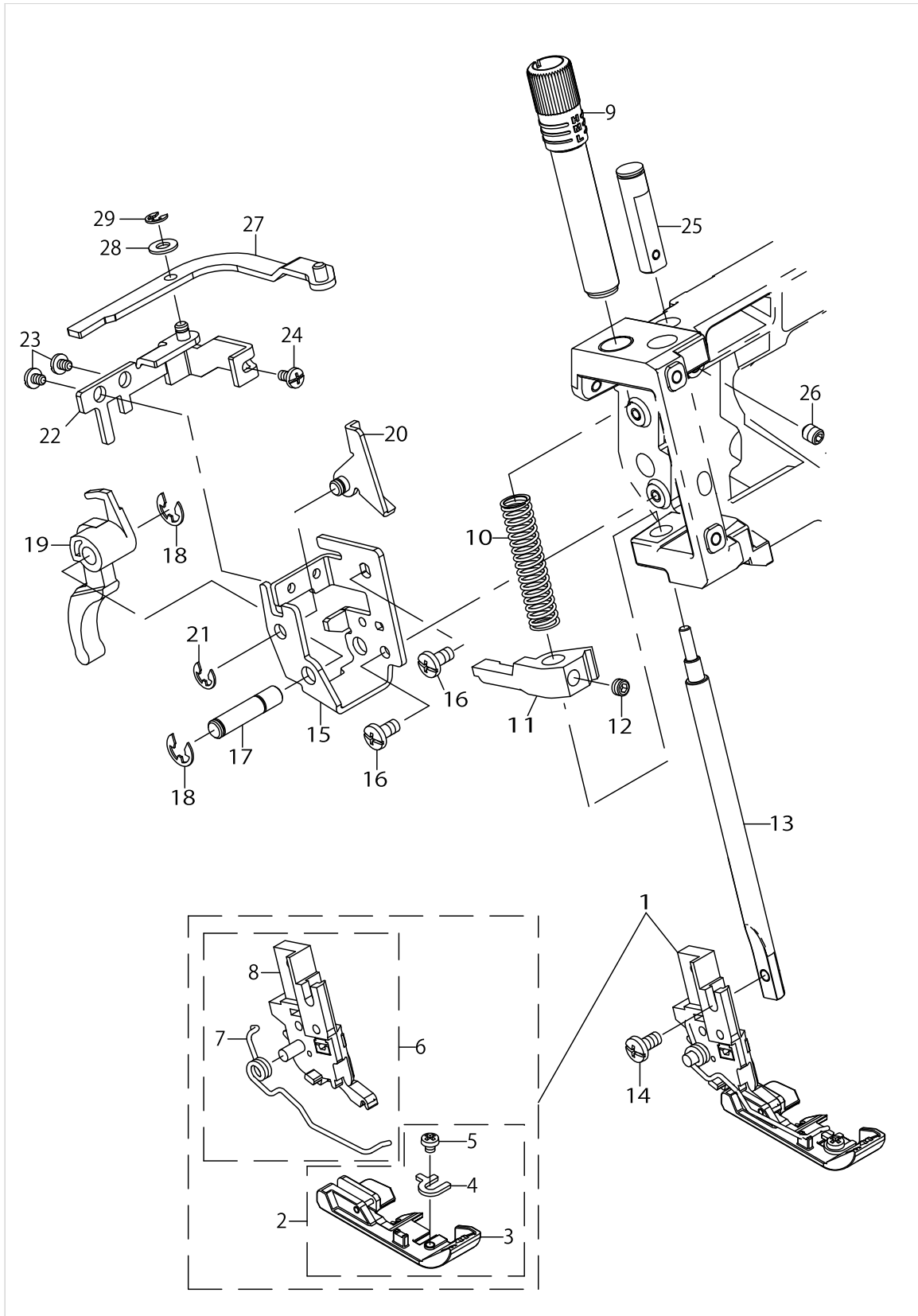
MISCELLANEOUS COVER COPONENTS (3)



MISCELLANEOUS COVER COPMONENTS (3)

No.	Supply Code	Parts No.	Replacement	Parts name	Remarks	Choice	Step	Level	Cons	Qty	Rep. QTY
39		40134327		LOOPER_COVER_HINGE_A						1	
40		A1154110000		LOOPER_COVER_HINGE						1	
41		A1155110000		LOOPER_COVER_HINGE_B						1	
42		A1130535000		SPRING						1	
43		RE0300000K0		E-RING 3						3	
44		SL4030631SC		SCREW M3 L=6						2	
45		40138126		ACCESSORY HOLDER_A	FOR MO-1-000M,MO-1000ML					1	
46		A1157776000		ACCESSORY HOLDER	FOR MO-1-000,MO-2000QVP					1	
47		SM5040855SN		SCREW						2	
48		SM5041255SN		SCREW M4 L=12						1	
49		40166565		OPERATION_PANEL_MO-2000QVP	FOR MO-2000QVP					1	
50		40134096		WASTE_COLLECTOR						1	

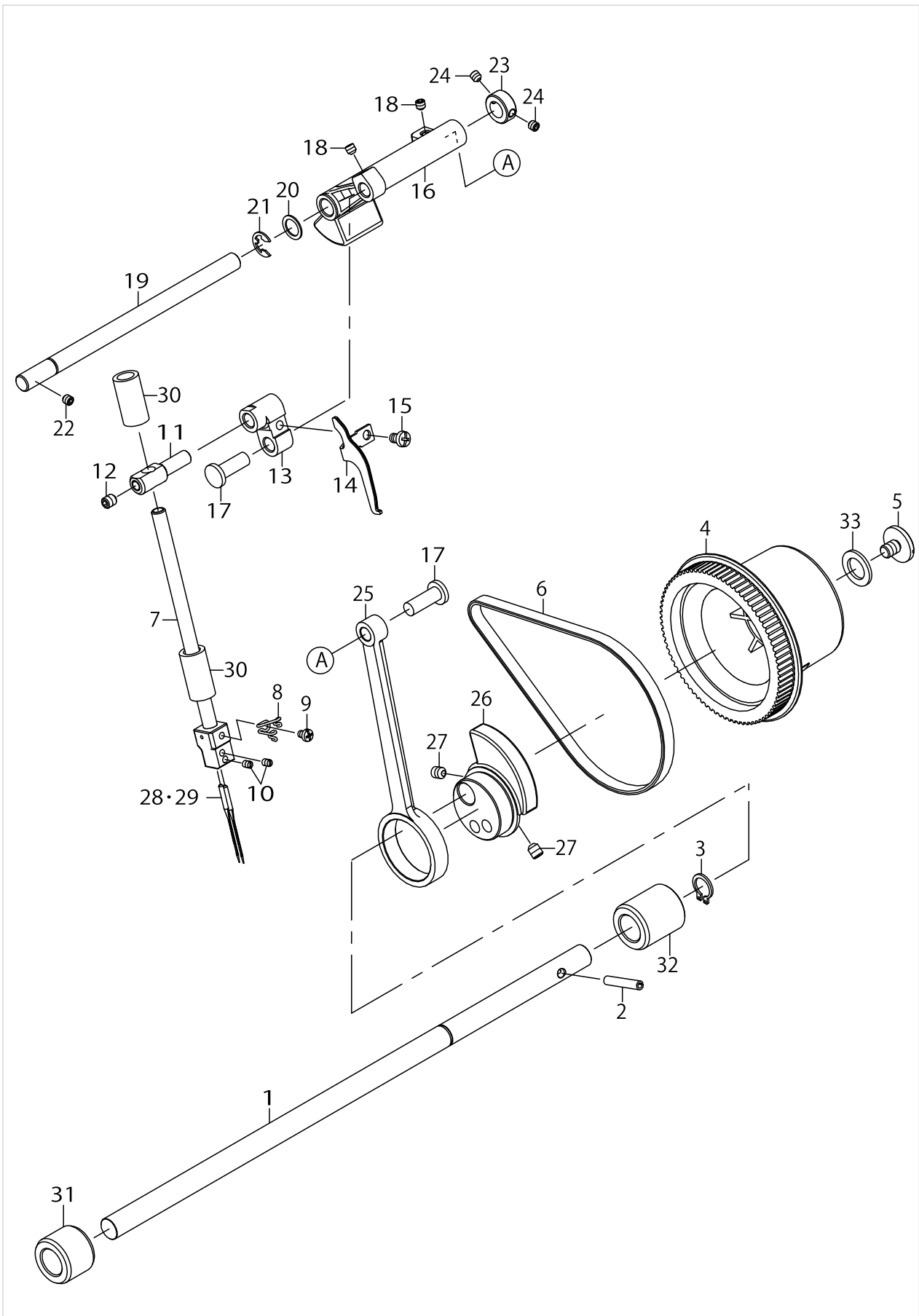
PRESSER COMPONENTS



PRESSER COMPONENTS

No.	Supply Code	Parts No.	Replacement	Parts name	Remarks	Choice	Step	Level	Cons	Qty	Rep. QTY
1		40134370		PRESSER_FOOT_TOTAL_ASM						1	
2	R	40134861	40134370	PRESSER_FOOT_SUB_ASM				*		1	1.00
3		40134862		PRESSER_FOOT_ASM				*		1	
4		40134864		TAPE_GUIDE				*		1	
5		SM4030301SC		SCREW M3X0.5 L=3				*		1	
6		A15141100B0B		PRESSER FOOT SHANK ASM.				*		1	
7		A1516110000		PRESSER SPRING				*		1	
8		A15141100A0B		PRESSER FOOT ASM				*		1	
9		40139204		PRESSER_ADJUSTING_SCREW						1	
10		40135643		PRESSER_SPRING						1	
11		A1502110000		PRESSER BAR GUIDE BRACKET						1	
12		SM8050402TP		SCREW						1	
13		A1507110000		PRESSER BAR						1	
14		SM5040855SN		SCREW						1	
15		A1504110000A		LIFTING LEVER SET PLATE						1	
16		SM5040855SN		SCREW						2	
17		A1505110000		LIFTING LEVER SHAFT						1	
18		RE0500000K0		E-RING						2	
19		A1506110000		LIFTING LEVER						1	
20		A15611100A0		THREAD TENSION RELEASE DRIVING ARM						1	
21		RE0400000K0		E-RING 4						1	
22		A15643240A0		PRESSER BAR GUIDE PLATE ASM						1	
23		SM5030455SF		SCREW M3 L=4						2	
24		SM5030655SN		SCREW M3X0.5 L=6						1	
25		A1568110000		GUIDE PLATE SUPP. SHAFT						1	
26		SM8040402TP		SCREW M4X0.7 L=4						1	
27		A15701100A0		THREAD TENSION RELEASE LINK ASM.						1	
28		WP0430801SC		WASHER M4						1	
29		RE0300000K0		E-RING 3						1	

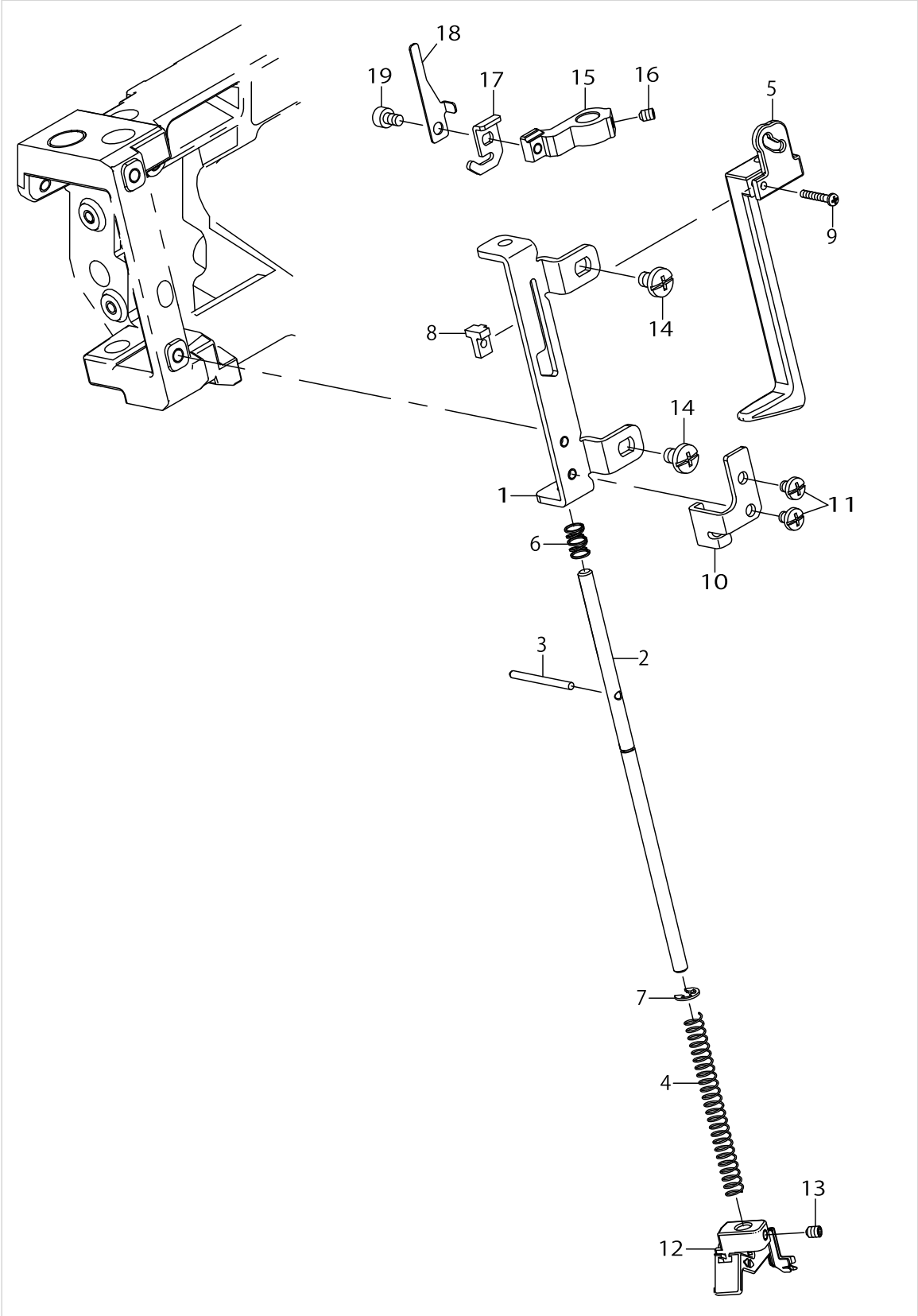
# NEEDLE BAR & MAIN SHAFT COMPONENTS



NEEDLE BAR & MAIN SHAFT COMPONENTS

No.	Supply Code	Parts No.	Replacement	Parts name	Remarks	Choice	Step	Level	Cons	Qty	Rep. QTY
1		40134333		MAIN_SHAFT						1	
2		PS0400322KP		SPRING PIN 4.0X32						1	
3		A1206102000		C RING						1	
4		40134051		HAND_WHEEL						1	
5		A1230500000A		HANDWHEEL SETSCREW						1	
6		A1205634000		TIMING BELT						1	
7		A14065340A0		NEEDLE BAR ASM.						1	
8		40135000		NEEDLE BAR GUIDE						1	
9		SM4030455SN		SCREW						1	
10		A1416777000		NEEDLE SCREW						2	
11		40134337		NEEDLE_BAR_HOLDER						1	
12		SM8050602TP		SCREW M5 L=6						1	
13		A1412535000		NEEDLE BAR LINK						1	
14		40134338		NEEDLE_THR_TAKE_UP						1	
15		SM4040655SN		SCREW M4X0.7 L=6						1	
16		40134339		NEEDLE_BAR_CRANK						1	
17		A1403102000		CONNECTING PIN						2	
18		SM8040402TP		SCREW M4X0.7 L=4						2	
19		A1404535000		NEEDLE BAR DRIVING SHAFT						1	
20		WP0820516SP		WASHER 11.6X8.2X0.6						1	
21		RE0600000K0		E-RING 6						1	
22		SM8040402TP		SCREW M4X0.7 L=4						1	
23		A1414502000		THRUST COLLAR						1	
24		SM8040402TP		SCREW M4X0.7 L=4						2	
25		40134340		NEEDLE_BAR_CRANK_ROD						1	
26		40134341		NEEDLE_BAR_DRIVING_CAM						1	
27		SM8050602TP		SCREW M5 L=6						2	
28		MHA100B1100		NEEDLE HAX1 #11	USE IN JAPAN					2	
29		MC221500800		NEEDLE (130/705H 15X1H) #80	FOR GENE- RAL EXPORT					2	
30		A1407102000		NEEDLE BAR BUSHING LOWER						2	
31		A1206335000		MAIN SHAFT BUSHING FRONT						1	
32		A1206202000		MAIN SHAFT BUSHING						1	
33		40142108		HAND_WHEEL_SCREW_WASHER						1	

NEEDLE THREADING COMPONENTS

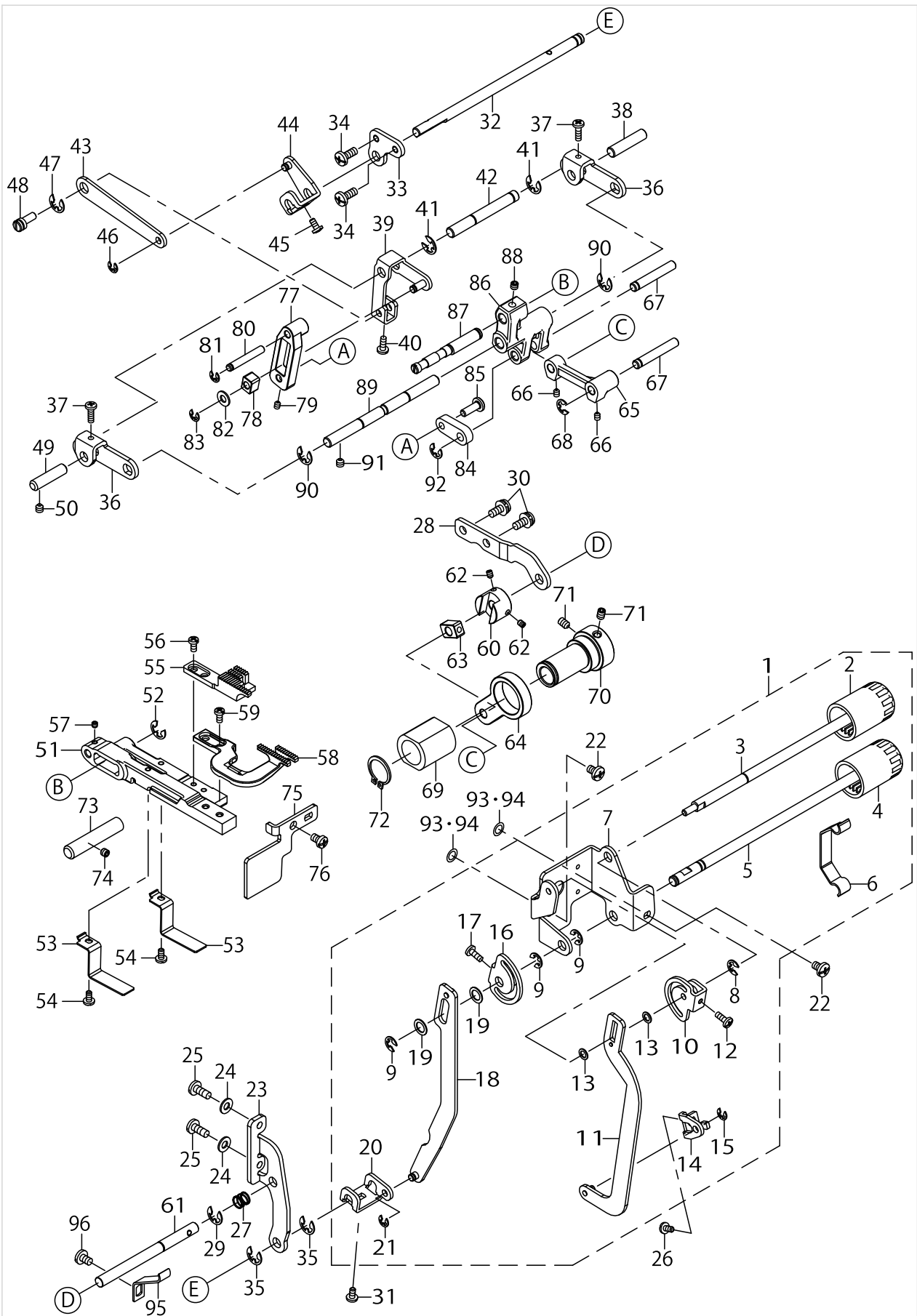


NEEDLE THREADING COMPONENTS

No.	Supply Code	Parts No.	Replacement	Parts name	Remarks	Choice	Step	Level	Cons	Qty	Rep. QTY
1		40134402		TP_BASE						1	
2		40134403		TP_SHAFT						1	
3		40134404		TP_SHAFT_PIN						1	
4		40134405		TP_SHAFT_SPRING						1	
5		40134080		TP_LEVER						1	
6		40134406		TP_LEVER_SPRING						1	
7		RE0300000K0		E-RING 3						1	
8		40134081		TP_LEVER_SPACER						1	
9		ST4021251SN		SCREW						1	
10		40134407		TP_LEVER_GUIDE						1	
11		SM5030455SF		SCREW M3 L=4						2	
12		40134400		TP_HOOK_ASM						1	
13		SM8030402TP		SCREW M3X0.5 L=4						1	
14		SM5040655SN		SCREW						2	
15		40134408		TP_NEEDLE_BAR_GUIDE_A						1	
16		SM8030402TP		SCREW M3X0.5 L=4						1	
17		40134409		TP_NEEDLE_BAR_GUIDE_B						1	
18		40135477		TP_STOPPER						1	
19		SM6030502TP		SCREW M3X5						1	



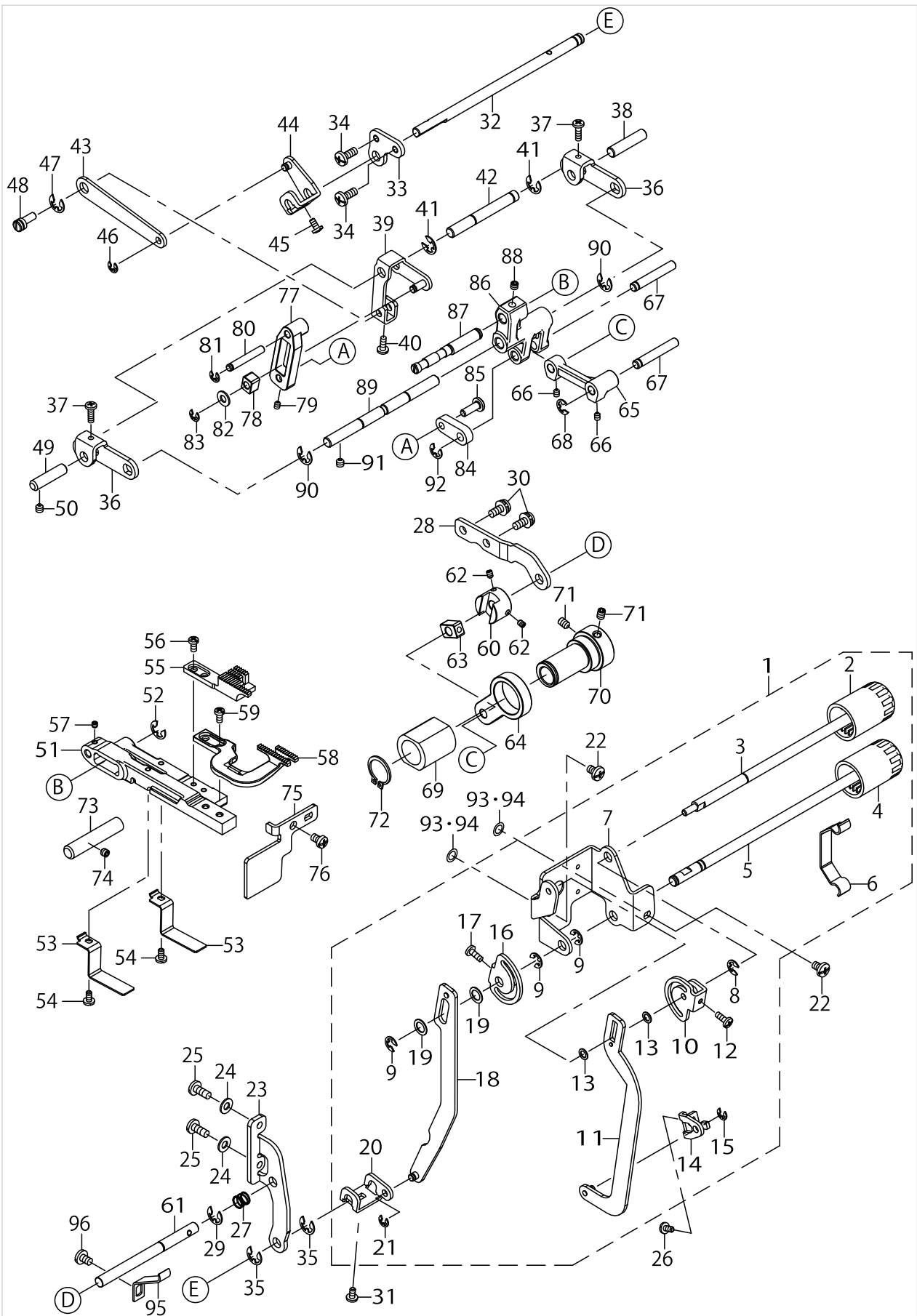
FEED MECHANISM



FEED MECHANISM

No.	Supply Code	Parts No.	Replacement	Parts name	Remarks	Choice	Step	Level	Cons	Qty	Rep. QTY
1		40136271		ASSY_FEED_KNOB						1	
2		40134063		MAIN_FEED_KNOB				*		1	
3		40134373		MAIN_FEED_KNOB_SHAFT				*		1	
4		40134065		SUB_FEED_KNOB				*		1	
5		40134374		SUB_FEED_KNOB_SHAFT				*		1	
6		A1611655000		KNOB HOLDING PLATE				*		1	
7		A1610655000		KNOB SUPPORT PLATE				*		1	
8		RE0400000K0		E-RING 4				*		1	
9		RE0400000K0		E-RING 4				*		3	
10		A1613655000		MAIN FEED ADJUSTING CAM				*		1	
11		A16196550A0		MAIN FEED ADJUSTING LINK ASM.				*		1	
12		SM5030855SN		SCREW				*		1	
13		A1614655000		WASHER				*		2	
14		A1630534D00		MAIN FEED ADJUSTING ARM				*		1	
15		RE0300000K0		E-RING 3				*		1	
16		A1615534D00		CAM				*		1	
17		SM5030855SN		SCREW				*		1	
18		A1620534DA0		DIF.FEED ADJUSTING LINK				*		1	
19		A1614534D00		COLLAR				*		2	
20		A165534D00		DIF.FEED.ADJ.ARM				*		1	
21		RE0300000K0		E-RING 3				*		1	
22		SM5040655SN		SCREW						2	
23		A1634655000A		FEED ADJ.SHAFT S-UPPORT PLATE						1	
24		WP0430801SC		WASHER M4						2	
25		SM5041055SN		SCREW M4X10						2	
26		SM5030655SN		SCREW M3X0.5 L=6						1	
27		A1633534D00		SPRING						1	
28		40134375		MAIN_FEED_SHAFT_SUPPORT						1	
29		RE0500000K0		E-RING						1	
30		SL5040835SN		SCREW M3X8						2	
31		SM5030655SN		SCREW M3X0.5 L=6						1	
32		40134376		SUB_FEED_ADJUSTMENT_SHAFT						1	
33		40134377		SUB_FEED_SHAFT_SUPPORT						1	
34		SM5041055SN		SCREW M4X10						2	
35		RE0500000K0		E-RING						2	
36		A1660534D00A		DIF.FEED SHAFT HOLDER						2	
37		SM5031001SE		SCREW M3 L=10						2	
38		A1664534D00		SHAFT						1	
39		A16618000A0		SUB FEED ADJUSTING ARM (A)ASM.						1	
40		SM5030855SN		SCREW						1	
41		RE0500000K0		E-RING						2	
42		A1660800000		SUB FEED ADJ.ARM SHAFT						1	
43		A1653776000		DIF.FEED ADJUSTING LINK A						1	
44		A1657534DA0		DIF.FEED ADJUSTING ARM B ASM.						1	
45		SM5030655SN		SCREW M3X0.5 L=6						1	

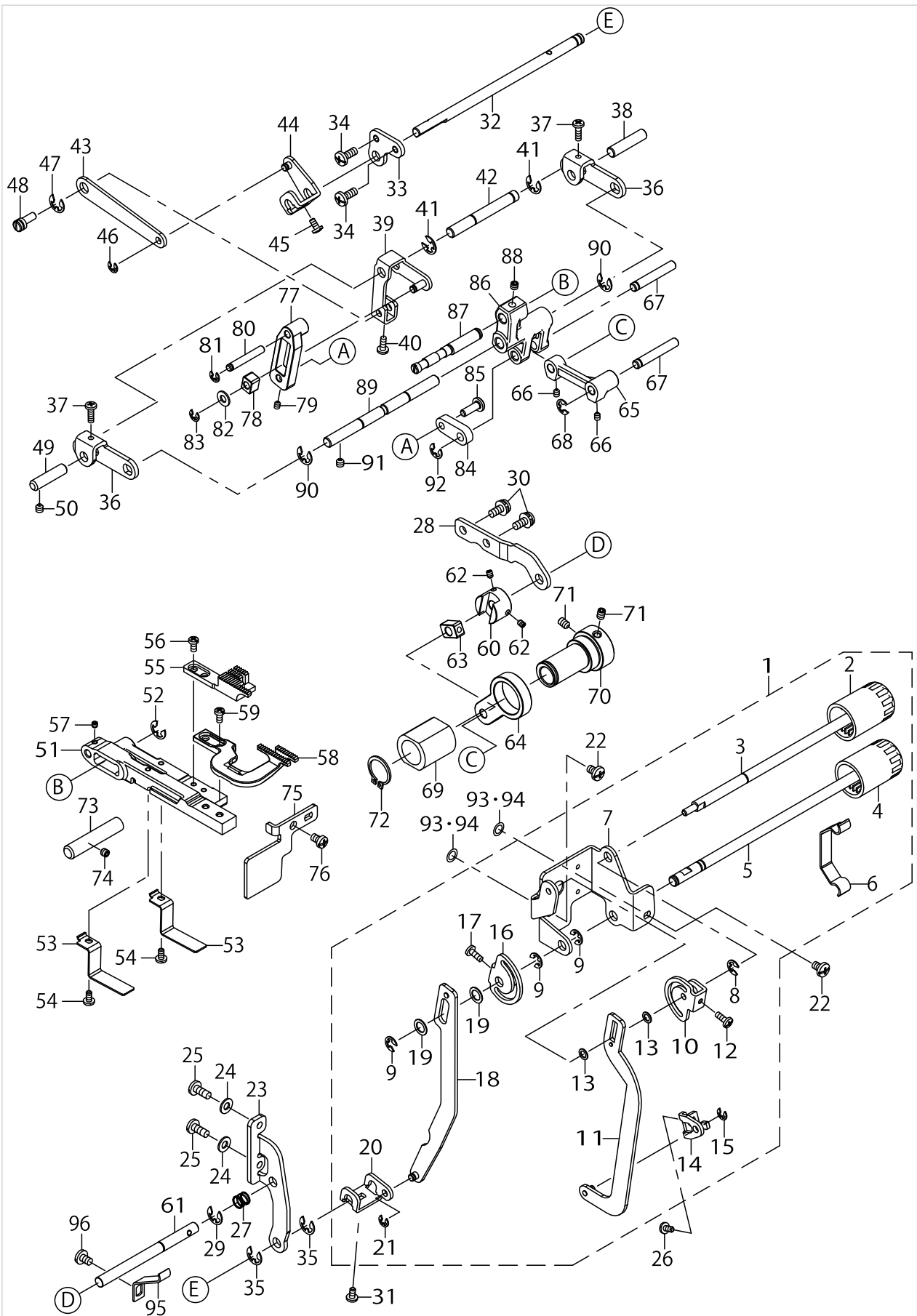
FEED MECHANISM



FEED MECHANISM

No.	Supply Code	Parts No.	Replacement	Parts name	Remarks	Choice	Step	Level	Cons	Qty	Rep. QTY
46		RE0300000K0		E-RING 3						1	
47		RE0500000K0		E-RING						1	
48		A1654776000A		ECCENTRIC PIN						1	
49		A1663534D00		DIF.FEED SHAFT (A)						1	
50		SM8040402TP		SCREW M4X0.7 L=4						1	
51		40134378		FEED_BASE_PROCESS						1	
52		RE0500000K0		E-RING						1	
53		A1616030Z00		SPRING						2	
54		SM5030655SN		SCREW M3X0.5 L=6						2	
55		40134379		MAIN_FEED_DOG						1	
56		SM4030655SP		SCREW						2	
57		SM8030302TP		SCREW M3X3						1	
58		40134380		SUB_FEED_DOG						1	
59		SM4030655SP		SCREW						2	
60		A1637534D00		FEED REGULATOR						1	
61		40134381		MAIN_FEED_ADJUSTMENT_SHAFT						1	
62		SM8030402TP		SCREW M3X0.5 L=4						2	
63		A1638776000		MAIN FEED SLIDE BLOCK						1	
64		A1616534D00		MAIN FEED ROD						1	
65		40134382		MAIN_FEED_LINK						1	
66		SM8030402TP		SCREW M3X0.5 L=4						2	
67		40134387		FEED_PIN						2	
68		RE0400000K0		E-RING 4						1	
69		A1630535000		VERTICAL FEED ADS.						1	
70		40134388		MAIN_FEED_CAM						1	
71		SM8040602TP		SCREW M4X0.7 L=6						2	
72		RC0150001KP		C-RING 15 (13.8)						1	
73		A1612535000		FEED BASE GUIDE ROD						1	
74		SM8040402TP		SCREW M4X0.7 L=4						1	
75		A1613535000		FEED BASE GUIDE						1	
76		SM4040655SN		SCREW M4X0.7 L=6						1	
77		A1651534D00		DIF.FEED ARM						1	
78		A1652534D00		DIF.FEED SLIDE BLOCK						1	
79		SM8030402TP		SCREW M3X0.5 L=4						1	
80		A1665534D00		SHAFT						1	
81		RE0300000K0		E-RING 3						1	
82		WP0430801SC		WASHER M4						1	
83		RE0300000K0		E-RING 3						1	
84		A1650534D00		DIF.FEED LINK						1	
85		A2529335000		UPPER LOOPER ARM PIN						1	
86		40134389		HORIZONTAL_FEED_ARM						1	
87		40134390		F_BASE_SPT_SHAFT_MOD						1	
88		SM8040402TP		SCREW M4X0.7 L=4						1	
89		40134391		MAIN_FEED_SHAFT						1	
90		RE0500000K0		E-RING						2	
91		SM8040402TP		SCREW M4X0.7 L=4						1	

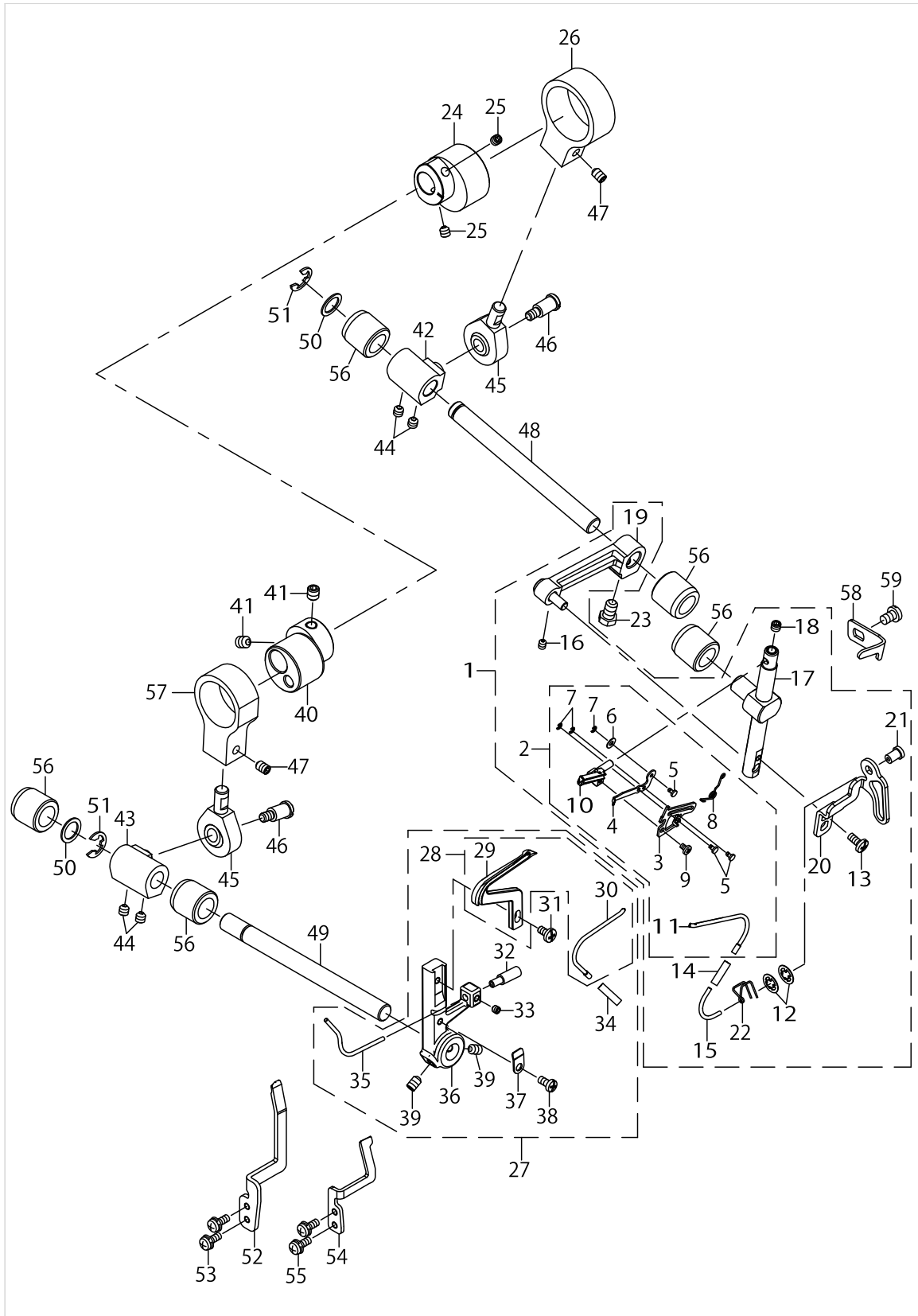
FEED MECHANISM



FEED MECHANISM

No.	Supply Code	Parts No.	Replacement	Parts name	Remarks	Choice	Step	Level	Cons	Qty	Rep. QTY
92		RE0400000K0		E-RING 4						1	
93		WP0520316RZ		WASHER 5.2X8X0.25	SELECTIVE PARTS					1	
94		WP0520516RZ		WASHER 5.2X8X0.5	SELECTIVE PARTS					1	
95		40148285		SHAFT PRESSER PLATE						1	
96		SM5040655SN		SCREW						1	

# LOOPER & NEEDLE GUARD COMPONENTS

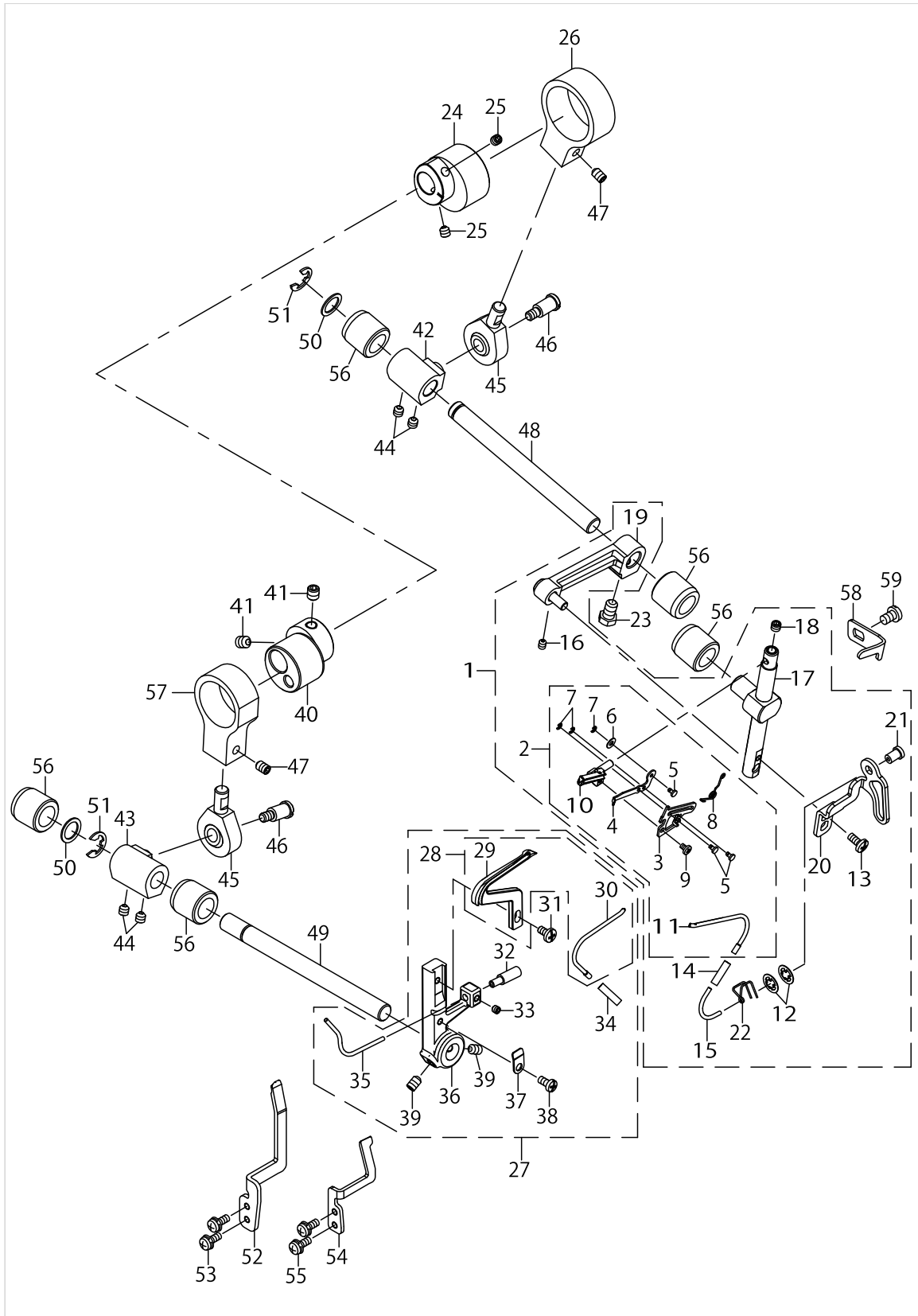


LOOPER & NEEDLE GUARD COMPONENTS

No.	Supply Code	Parts No.	Replacement	Parts name	Remarks	Choice	Step	Level	Cons	Qty	Rep. QTY
1		40136267		UPPER_LOOPER_ASSY						1	
2		40152314		UPPER_LOOPER_PART_ASSY				*		1	
3		40134842		CHANG_LEVER_BASE				*		1	
4		40134843		2_3_CHANGE_LEVER				*		1	
5		40134844		2_3_CHANGE_LEVER_SLIDE_PIN				*		3	
6		WP0220301SC		WASHER_M2				*		1	
7		RE0120000K0		E-RING				*		3	
8		40134845		2_3_CHANGE_SPRNG				*		1	
9		SM5020301SC		SCREW_M2_L=3				*		1	
10		40152316		UPPER_LOOPER				*		1	
11		40134411		UPPER_LOOPER_PIPE_A				*		1	
12		A320555A00		LOCKNUT				*		2	
13		SM5030855SN		SCREW				*		1	
14		40134413		RUBBER_TUBE				*		0.01	
15		40134412		UPPER_LOOPER_PIPE_B				*		1	
16		SM8030312TP		SCREW_M3_L=3				*		1	
17		40152315		UPPER_LOOPER_SLIDE_SHAFT_ASM				*		1	
18		SM8030402TP		SCREW_M3X0.5_L=4				*		1	
19		40134347		UPPER_LOOPER_ARM_ASM				*		1	
20		40134344		LOOPER_THREAD_TAKE_UP				*		1	
21		40143079		LOOPER_TREAD_PIPE_BUSH_A				*		1	
22		40141151		PIPE_CLIP				*		1	
23		SM9050850SP		SCREW						1	
24		A2501534000A		UPPER_LOOPER_CAM						1	
25		SM8040402TP		SCREW_M4X0.7_L=4						2	
26		A2502534000A		UPPER_LOOPER_ROD						1	
27		40136268		LOWER_LOOPER_ASSY						1	
28		40134104		LOWER_LOOPER_PART_ASSY				*		1	
29		40134414		LOWER_LOOPER				*		1	
30		40134415		LOWER_LOOPER_PIPE_A				*		1	
31		SM5030655SN		SCREW_M3X0.5_L=6				*		1	
32		40143080		LOOPER_TREAD_PIPE_BUSH_B				*		1	
33		SM8030302TP		SCREW_M3X3				*		1	
34		40134413		RUBBER_TUBE				*		0.01	
35		40134416		LOWER_LOOPER_PIPE_B				*		1	
36		40134352		LOWER_LOOPER_SUPPORT_ARM				*		1	
37		40134417		LOWER_LOOPER_PIPE_SUPPORT				*		1	
38		SM4030655SP		SCREW				*		1	
39		SM8040602TP		SCREW_M4X0.7_L=6				*		2	
40		40134348		LOWER_LOOPER_CAM						1	
41		SM8050602TP		SCREW_M5_L=6						2	
42		40134349		UPPER_LOOPER_DRIVING_ARM						1	
43		A2505776000		LOOPER_DRIVING_ARM						1	
44		SM8040402TP		SCREW_M4X0.7_L=4						4	
45		A2503776000		CONNECTING_ROD						2	
46		A2504776000		CONNECTING_SCREW						2	



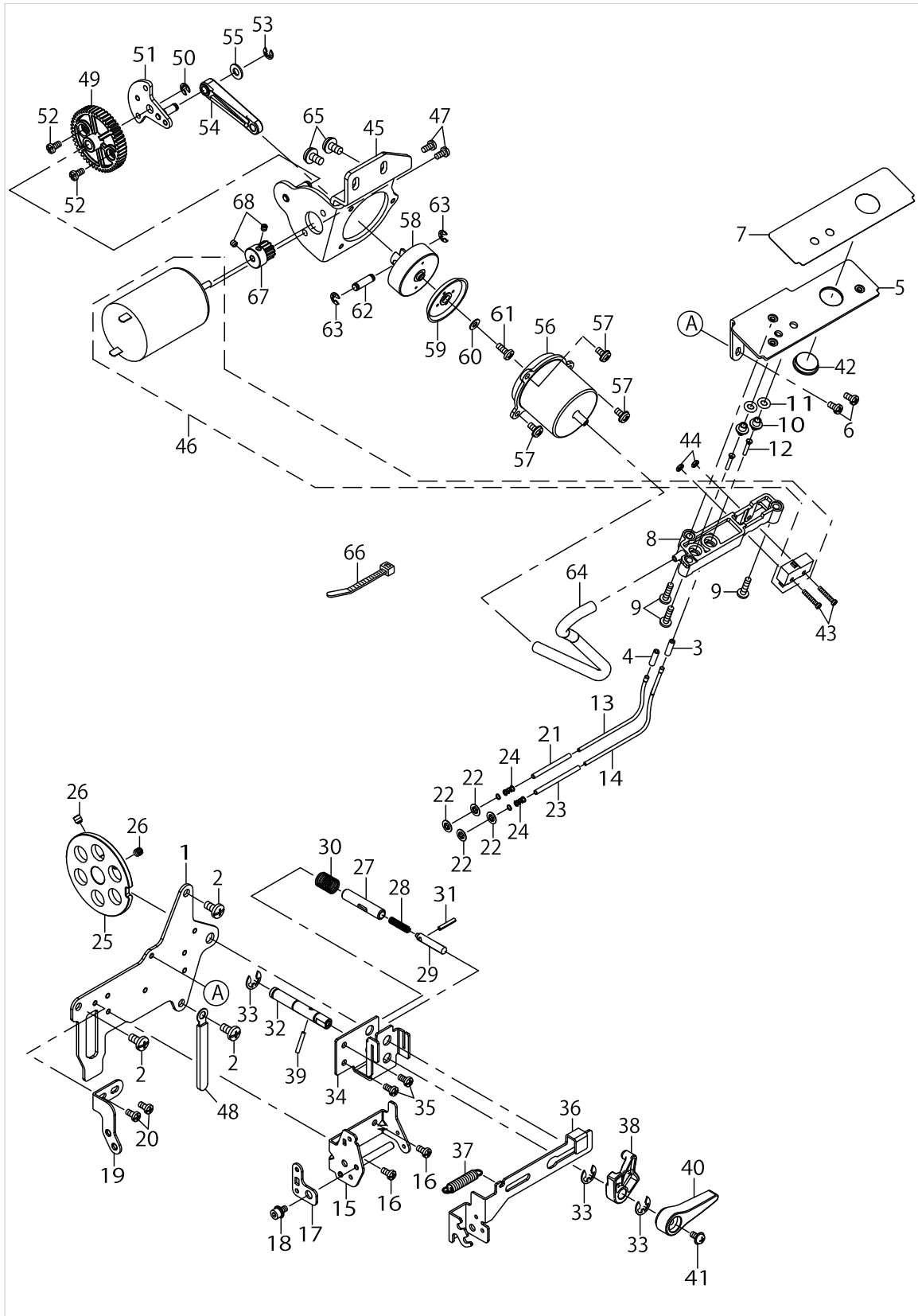
# LOOPER & NEEDLE GUARD COMPONENTS



LOOPER & NEEDLE GUARD COMPONENTS

No.	Supply Code	Parts No.	Replacement	Parts name	Remarks	Choice	Step	Level	Cons	Qty	Rep. QTY
47		SM8040602TP		SCREW_M4X0.7_L=6						2	
48		40134350		UPPER_LOOPER_SHAFT						1	
49		40134351		LOWER_LOOPER_SHAFT						1	
50		WP0820516SP		WASHER_11.6X8.2X0.6						2	
51		RE0600000K0		E-RING_6						2	
52		40134354		NEEDLE_GUARD_FRONT						1	
53		SL5030631SF		SCREW_M3_L=6						2	
54		40134355		NEEDL_GUARD_REAR						1	
55		SL5030631SF		SCREW_M3_L=6						2	
56		A2561777000		BUSHING						5	
57		A2515534000A		LOWER_LOOPER_ROD						1	
58		40134343		UPPER_LOOPER_GUIDE_SUPPORT						1	
59		SM4040855SN		SCREW_M4_L=8						1	

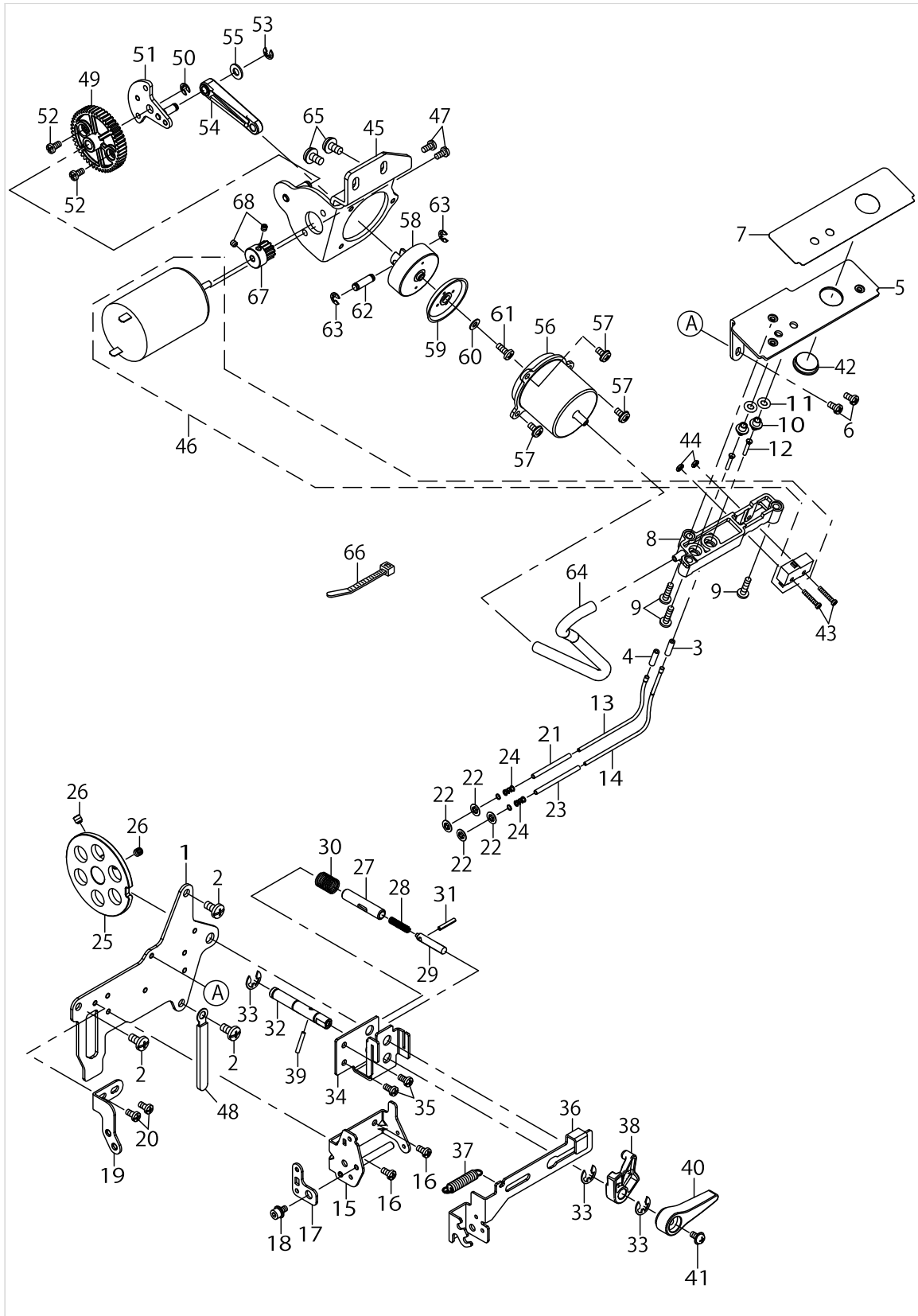
# LOOPER THREADING COMPONENTS



LOOPER THREADING COMPONENTS

No.	Supply Code	Parts No.	Replacement	Parts name	Remarks	Choice	Step	Level	Cons	Qty	Rep. QTY
1		40134321		THREAD_THROUGH_BRACKET						1	
2		SM5040855SN		SCREW						3	
3		40134413		RUBBER_TUBE						.01	
4		40134413		RUBBER_TUBE						.01	
5		40143824		THREAD_THROUGH_PLATE						1	
6		SM4030655SP		SCREW						2	
7		40134419		THREAD_THROUGH_SEAL						1	
8		40143823		THREAD_THROUGH_BASE						1	
9		SM5031201SN		SCREW_FOR_HOLDER_PLATE						3	
10		40142844		THREAD_THROUGH_BUSH						2	
11		RO037180100		O-RING						2	
12		40134421		JOINT_PIPE						2	
13		40134422		UPPER_LOOPER_THREAD_PIPE						1	
14		40134423		LOWER_LOOPER_THREAD_PIPE						1	
15		40150050		THREAD_PIPE_PLATE_ASM						1	
16		SM4030655SP		SCREW						2	
17		40150053		PIPE_ADJUST_PLATE						1	
18		SL6030692TN		SCREW_M3_L=6						1	
19		40150136		THREAD_TAKE_UP_GUIDE_PLATE						1	
20		SM4030655SP		SCREW						2	
21		40134426		UPPER_LOOPER_JOINT_PIPE						1	
22		40134427		PUSH_NUT						4	
23		40134428		LOWER_LOOPER_JOINT_PIPE						1	
24		40134430		LOOPER_JOINT_PIPE_SPRING						2	
25		40134431		THREADERS_POSITI- ONING_COLLER						1	
26		SM8040412TP		SCREW_M4X4						2	
27		40134432		THREADERS.POSITIONING.SHAFT						1	
28		40134433		THREADERS_POSITI- ON_SHAFT_SPRING						1	
29		40134434		THREADERS_POSITI- ONING_PUSH_SHAFT						1	
30		40144427		THREADERS_POSITI- ON_PUSH_SPRING						1	
31		PS0200122KP		SPRING_PIN_TYPE_W_2X12						1	
32		40134436		THREADERS_SWITCHING_SHAFT						1	
33		RE0500000K0		E-RING						3	
34		40144426		THREADERS_SWITC- HING_SUPPORT						1	
35		SM4030655SP		SCREW						2	
36		40134438		THREADERS_SWITC- H_MOVING_PLATE						1	
37		40150054		THREADERS_SWITC- H_MOVING_SPRING						1	
38		40134083		THREADERS_SWITC- H_MOVING_CAM						1	
39		PS0200122KP		SPRING_PIN_TYPE_W_2X12						1	
40		40134084		THREADERS_SWITCH_LEVER						1	
41		SL4030891SC		SCREW_M3X8						1	
42		40134085		THREADER_BUTTON						1	
43		SM4021201SC		SCREW_M2_L=12						2	

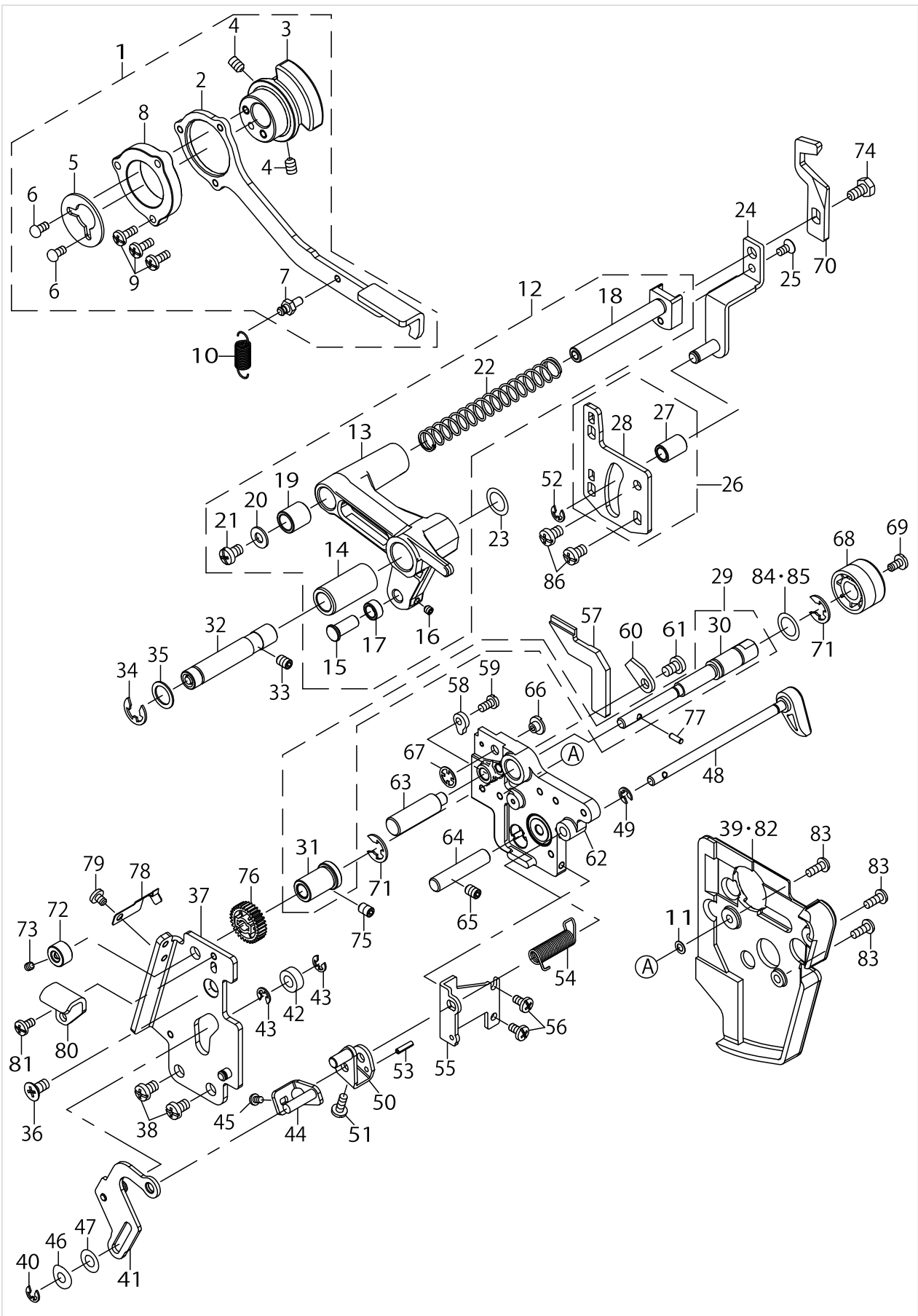
# LOOPER THREADING COMPONENTS



LOOPER THREADING COMPONENTS

No.	Supply Code	Parts No.	Replacement	Parts name	Remarks	Choice	Step	Level	Cons	Qty	Rep. QTY
44	D	NM6020003SR		NUT_M2X0.4_TYPE3						2	
45		40143101		PUMP_BASE_PLATE_ASM						1	
46		40136011		PUMP_MOTOR_ASSY						1	
47		SM4030655SP		SCREW						2	
48		A3811550000		CORD HOLDER						1	
49		40134086		PUMP_GEAR						1	
50		RE0300000K0		E-RING_3						1	
51		40134442		CRANK_PLATE_ASM						1	
52		SM4030655SP		SCREW						2	
53		RE0300000K0		E-RING_3						1	
54		40134087		CRANK_ROD						1	
55		WP0430801SC		WASHER_M4						1	
56		40134088		CYLINDER						1	
57		SL5030631SF		SCREW_M3_L=6						3	
58		40134089		PISTON						1	
59		40134090		PISTON_LIP						1	
60		WP0320501SC		WASHER_M3						1	
61		ST5030851SN		SCREW_M5X8						1	
62		40134443		PISTON_PIN						1	
63		RE0300000K0		E-RING_3						2	
64		40134444		SILICON_TUBE						.3	
65		SL5040835SN		SCREW_M4_L=8						2	
66		A407855000B		BAND						2	
67		40143102		PUMP_MOTOR_GEAR						1	
68		SM8030312TP		SCREW_M3_L=3						2	

KNIFE DRIVE COMPONENTS

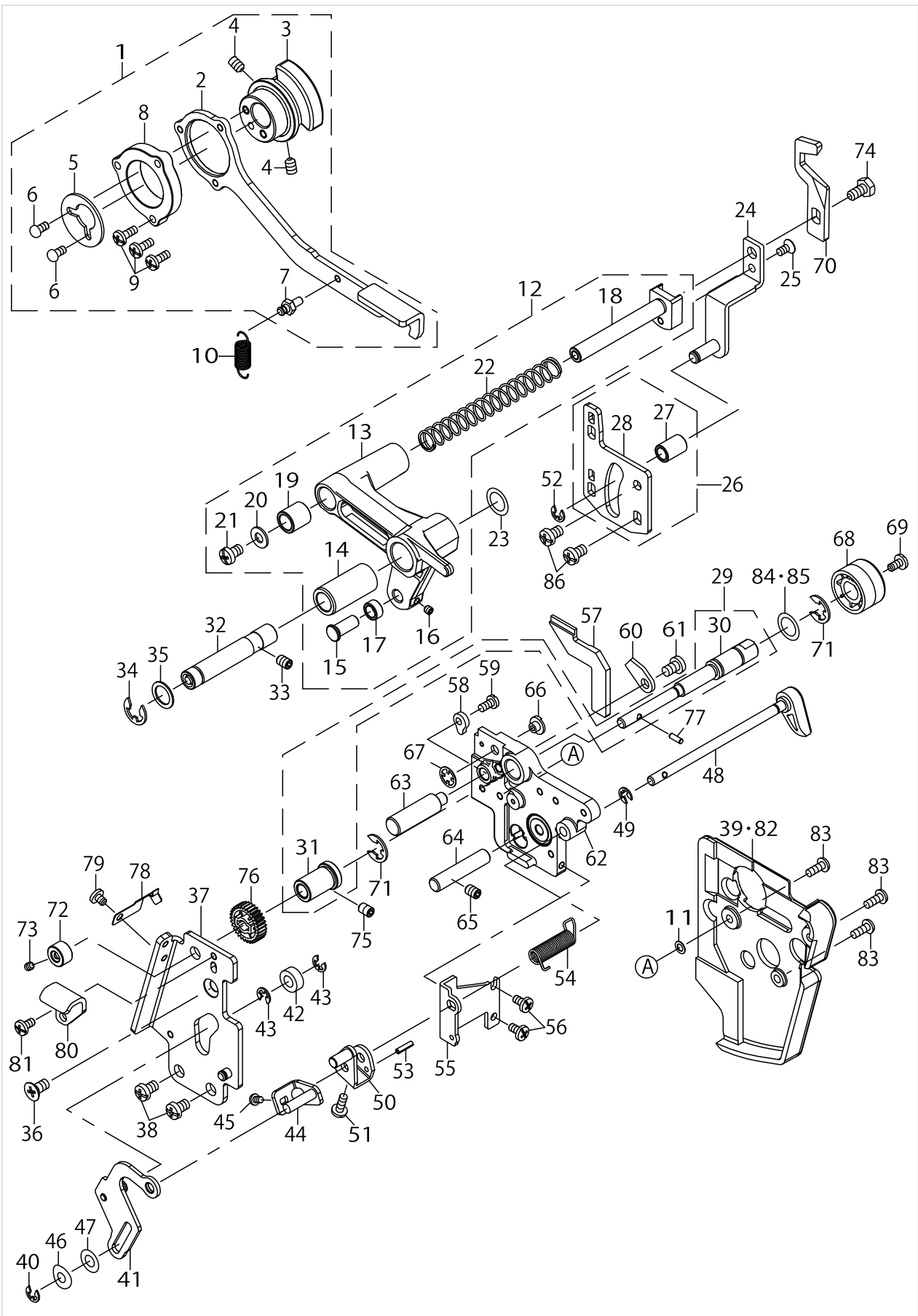


KNIFE DRIVE COMPONENTS

No.	Supply Code	Parts No.	Replacement	Parts name	Remarks	Choice	Step	Level	Cons	Qty	Rep. QTY
1		40136252		KNIFE_DRIVE_ROD_ASSY						1	
2		40134447		KNIFE_DRIVE_ROD				*		1	
3		40134445		UPPER_KNIFE_DRIVE_CAM				*		1	
4		SM8040602TP		SCREW_M4X0.7_L=6				*		2	
5		40134446		KNIFE_DRIVE_CAM_THRUST_PLATE				*		1	
6		A1618534D0A		SCREW				*		2	
7		40056010		HF_ARM_SPRING_PIN				*		1	
8		40134448		KNIFE_DRIVE_ROD_- SUPPORT_METAL				*		1	
9		SM5030855SN		SCREW				*		3	
10		40134449		KNIFE_DRIVE_ROD_SPRING						1	
11		WP0310316RZ		WASHER_3.1X5.4X0.25	SELECTIVE PARTS					1	
12		40136253		UPPER_KNIFE_DRIVE_ARM_ASSY						1	
13		40134450		UPPER_KNIFE_DRIVE_ARM				*		1	
14		40134451		UPPER_KNIFE_DRIVE_ARM_METAL				*		1	
15		40134452		KNIFE_DRIVE_TRAN- SMISSION_SHAFT				*		1	
16		SM8030302TP		SCREW_M3X3				*		1	
17		40134464		KNIFE_DRIVE_INTERCEPT_COLLER				*		1	
18		40134456		UPPER_KNIFE HOLDER				*		1	
19		40134457		UPPER_KNIFE HOLDER COLLAR				*		1	
20		WP0430801SC		WASHER_M4				*		1	
21		SM4040655SN		SCREW_M4X0.7_L=6				*		1	
22		40134458		UPPER_KNIFE HOLDER SPRING				*		1	
23		WP0820316RZ		WASHER_8.2X12X0.25						1	
24		40134454		UPPER_KNIFE_GUIDE_PLATE_ASSY						1	
25		SM1030601SP		SCREW_M3_L=6						1	
26		40146338		UPPER_KNIFE_GP_COLLAR_ASSY						1	
27		40146456		UPPER_KNIFE_GUIDE_PIN_COLLAR				*		1	
28		40146457		KNIFE_GUIDE				*		1	
29		40148165		LOWER_KNIFE_ADJ- UST_SHAFT_ASSY						1	
30		40146324		LOWER_KNIFE_ADJUST_SHAFT				*		1	
31		40134475		LOWER_KNIFE_ADJUST_METAL				*		1	
32		40134461		UPPER_KNIFE_DRIVE_ARM_SHAFT						1	
33		SM8040602TP		SCREW_M4X0.7_L=6						1	
34		RE0600000K0		E-RING_6						1	
35		WP0820516SP		WASHER_11.6X8.2X0.6						1	
36		SM1040801SN		SCREW_M4X0.7_L=8						1	
37		40134462		KNIFE_DRIVE_SUPP- ORT_PLATE_ASSY						1	
38		SM4040655SN		SCREW_M4X0.7_L=6						2	
39		40134481		LOOPER_COVER_GUIDE_B	FOR MO-1- 000,MO-2000QVP					1	
40		RE0300000K0		E-RING_3						1	
41		40134463		KNIFE_DRIVE_INTER- CEPT_ARM_ASSY						1	
42		40139750		KNIFE_DRIVE_INTERCEPT_COLLER						1	
43		RE0300000K0		E-RING_3						2	
44		40134465		KNIFE_DRIVE_INTER- CEPT_LINK_ASSY						1	



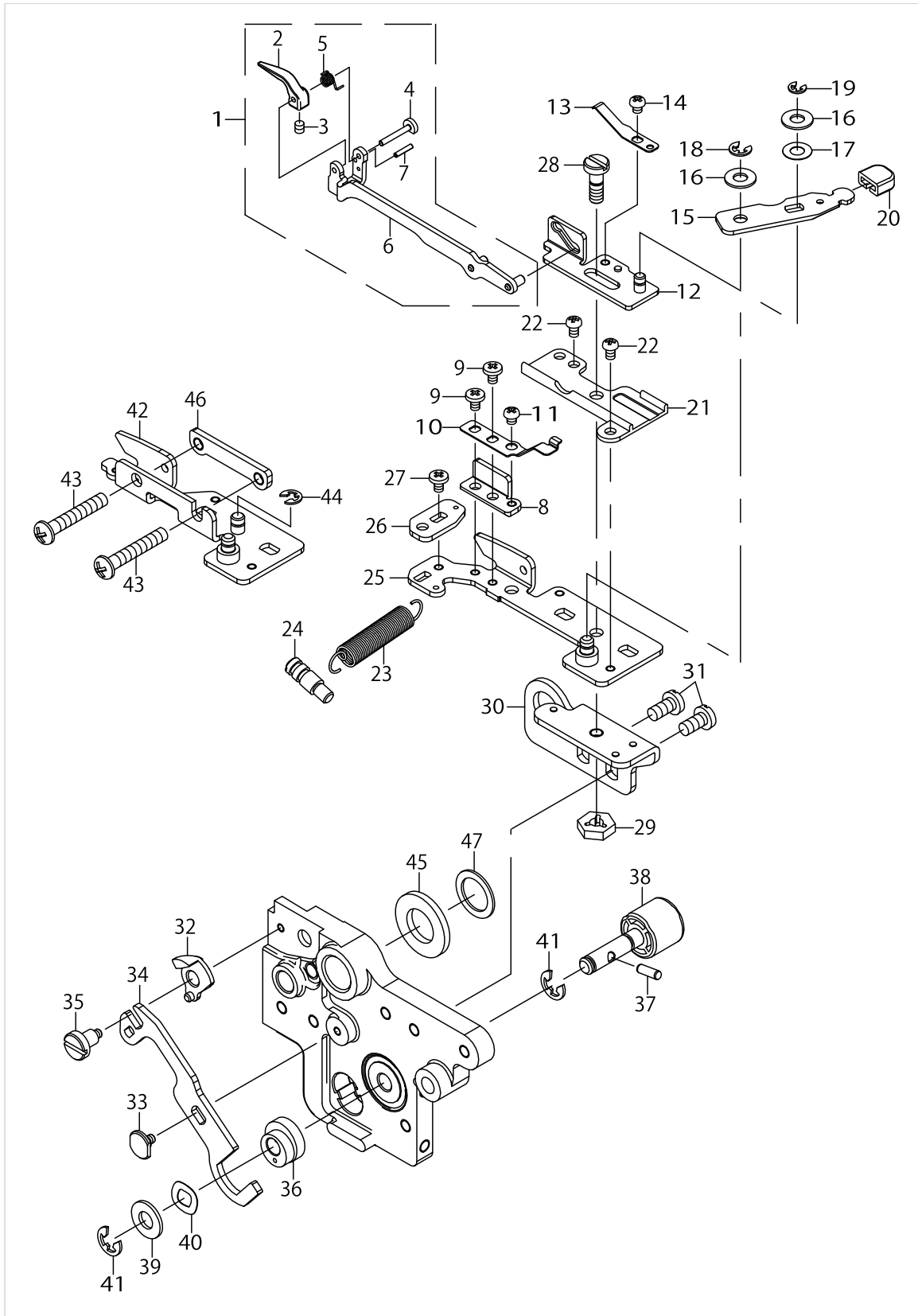
KNIFE DRIVE COMPONENTS



KNIFE DRIVE COMPONENTS

No.	Supply Code	Parts No.	Replacement	Parts name	Remarks	Choice	Step	Level	Cons	Qty	Rep. QTY
45		SM4850455SP		SCREW						1	
46		A7117010000		WASHER						1	
47		A31099DC000		WASHER						1	
48		40153192		UPPER_KNIFE_REMOVE_KNOB						1	
49		RE0300000K0		E-RING_3						1	
50		40134468		KNIFE_REMOVE_CAM_PLATE_ASSY						1	
51		SM5030855SN		SCREW						1	
52		RE0300000K0		E-RING_3						1	
53		PS0200082KP		SPRING_PIN_TYPE_W_2X8						1	
54		40152469		UPPER_KNIFE_REMOVE_CAM_SP						1	
55		40134470		UPPER_KNIFE_REMOVE_SH_BASE						1	
56		SM5030655SN		SCREW_M3X0.5_L=6						2	
57		40134471		LOWER_KNIFE						1	
58		A4124335000		LOWER_KNIFE_SUPPORTING_PLATE						1	
59		SM4030655SP		SCREW						1	
60		A4123335000		LOWER_KNIFE_PRESSER_PLATE						1	
61		SM4040655SN		SCREW_M4X0.7_L=6						1	
62		40134038		LOWER_KNIFE HOLDER						1	
63		40134900		LOWER_KNIFE HOLDER_SHAFT_A						1	
64		40134473		LOWER_KNIFE HOLDER_SHAFT_B						1	
65		SM8040602TP		SCREW_M4X0.7_L=6						1	
66		A4149535000		LOWER_KNIFE_ANGLE_ADJ_SUPPORT						1	
67		A3205555A00		LOCKNUT						1	
68		40134091		LOWER_KNIFE_ADJUST_KNOB						1	
69		SM5030655SN		SCREW_M3X0.5_L=6						1	
70		40144945		UPPER_KNIFE						1	
71		RE0600000K0		E-RING_6						2	
72		40146325		LOWER_KNIFE_ADJUST_COLLAR						1	
73		SM8030312TP		SCREW_M3_L=3						1	
74		SM9040803SD		SCREW_M4X0.7_L=8						1	
75		SM8040602TP		SCREW_M4X0.7_L=6						1	
76		40134094		LOWER_KNIFE_ADJUST_GEAR						1	
77		PH0200062C0		PARALLEL_PIN_TYPE_B_2X6						1	
78		40134476		LOWER_KNIFE_ADJUST_SP						1	
79		SM5030455SF		SCREW_M3_L=4						1	
80		40134332		CLOTH_PLATE_SUPPORT						1	
81		SM5030655SN		SCREW_M3X0.5_L=6						1	
82		40134480		LOOPER_COVER_GUIDE_A	FOR MO-1-000M,MO-1000ML					1	
83		SM5030855SN		SCREW						3	
84		WP0820316RZ		WASHER_8.2X12X0.25	SELECTIVE PARTS					1	
85		WP0820516SP		WASHER_11.6X8.2X0.6	SELECTIVE PARTS					1	
86		SM4040655SN		SCREW_M4X0.7_L=6						2	

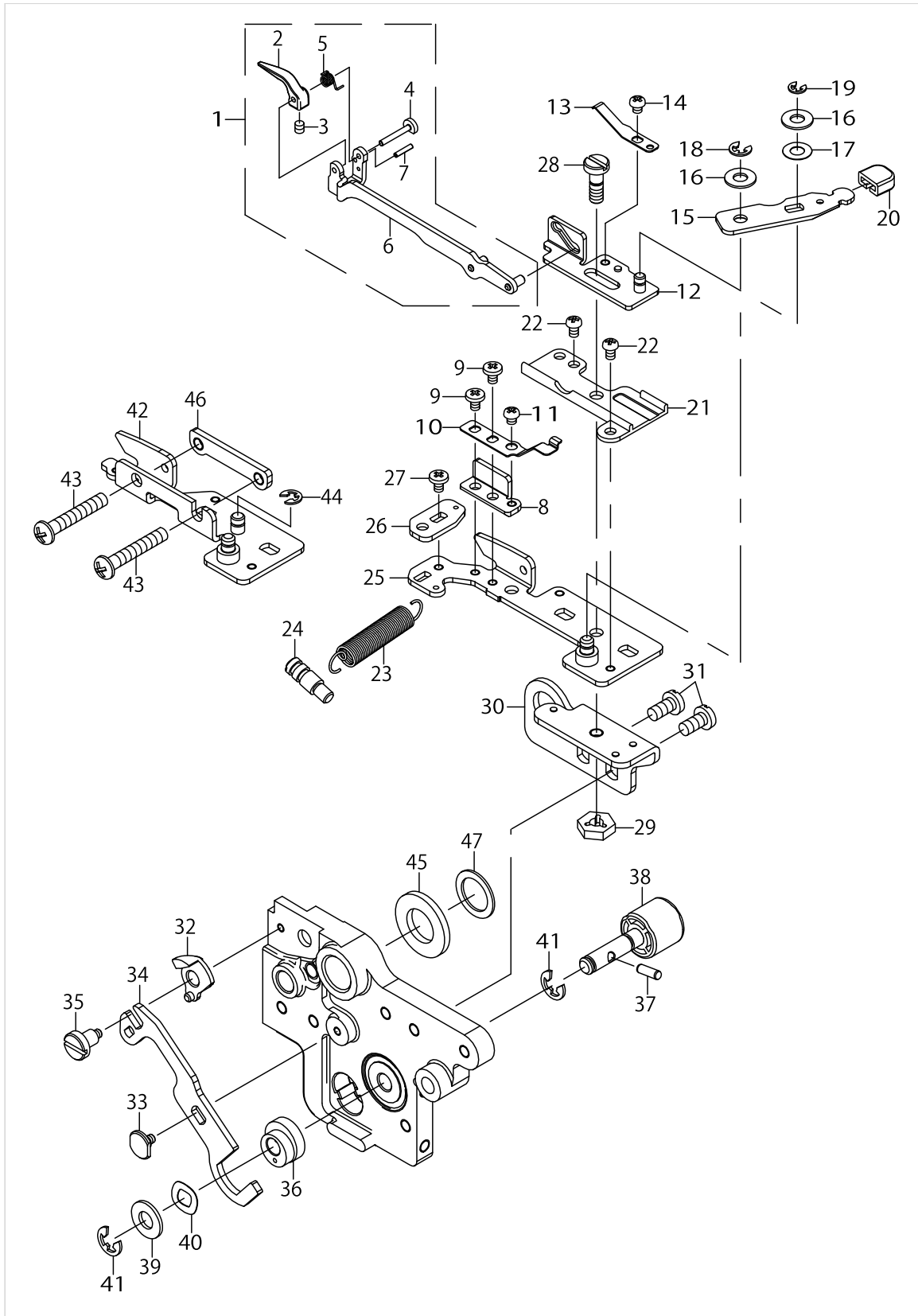
# STITCH TONGUE COMPONENTS



STITCH TONGUE COMPONENTS

No.	Supply Code	Parts No.	Replacement	Parts name	Remarks	Choice	Step	Level	Cons	Qty	Rep. QTY
1		40150729		STITCH_TONGUE_SUB_ASSY						1	
2		40134356		STITCH_TONGUE				*		1	
3		SM8020202UZ		SCREW_M2_L=2				*		1	
4		40146076		STITCH_TONGUE_PIN				*		1	
5		40134358		STITCH_TONGUE_SP				*		1	
6		40150718		STITCH_TONGUE_LINK_ASSY				*		1	
7		PS0100052KP		SPRING_PIN_TYPE_W_1X5				*		1	
8		40150721		TONGUE_ADJUST_PLATE						1	
9		SM5020301SC		SCREW_M2_L=3						2	
10		40150730		TONGUE_LINK_PUSH_PLATE_A						1	
11		SM4020201SC		SCREW_M2_L=2						1	
12		40150722		TONGUE_REMOVE_PLATE_ASSY						1	
13		40150731		TONGUE_LINK_PUSH_PLATE_B						1	
14		SM4020201SC		SCREW_M2_L=2						1	
15		40134362		STITCH_TONGUE_LEVER						1	
16		WP0320501SC		WASHER_M3						2	
17		WZ0320290UZ		BEND_WASHER_3.2X6.5X0.15						1	
18		RE0200000K0		E-RING_2						1	
19		RE0150000K0		SNAP_RING_1.5						1	
20		A116731500AA		THREAD_SLIPPER_CAP						1	
21		40150732		STITCH_TONGUE_SLIDE_BASE						1	
22		SM4020351SC		SCREW						2	
23		40134363		STITCH_TONGUE_HOLDING_SPRING						1	
24		40134854		STITCH_TONGUE_SPRING_PIN						1	
25		40150725		STITCH_TONGUE_BASE_A_ASSY	WITH MTC(-MO-1000M/ML)					1	
26		40150733		TONGUE_DRIVE_ADJUST_PLATE_ASSY	WITH MTC(-MO-1000M/ML)					1	
27		SM5020301SC		SCREW_M2_L=3	WITH MTC(-MO-1000M/ML)					1	
28		40134365		THREAD_SLIP_SHAFT	WITH MTC(-MO-1000M/ML)					1	
29		174803004000		NUT	WITH MTC(-MO-1000M/ML)					1	
30		40150736		MTC_BASE_SUPPORT	WITH MTC(-MO-1000M/ML)					1	
31		SM4030655SP		SCREW	WITH MTC(-MO-1000M/ML)					2	
32		40134056		MTC_DRIVE_CAM	WITH MTC(-MO-1000M/ML)					1	
33		A415613M000		SCREW	WITH MTC(-MO-1000M/ML)					1	
34		40134367		MTC_DRIVE_ARM	WITH MTC(-MO-1000M/ML)					1	
35		40134368		THRD_SLIP_GUIDE_DRIV_CAM_SHAFT	WITH MTC(-MO-1000M/ML)					1	
36		40134057		MTC_ADJUST_CAM	WITH MTC(-MO-1000M/ML)					1	
37		PH0200062C0		PARALLEL_PIN_TYPE_B_2X6	WITH MTC(-MO-1000M/ML)					1	
38		40134058		MTC_ADJUST_KNOB	WITH MTC(-MO-1000M/ML)					1	
39		WP0430801SC		WASHER_M4	WITH MTC(-MO-1000M/ML)					1	
40		A1424777000		WASHER	WITH MTC(-MO-1000M/ML)					1	

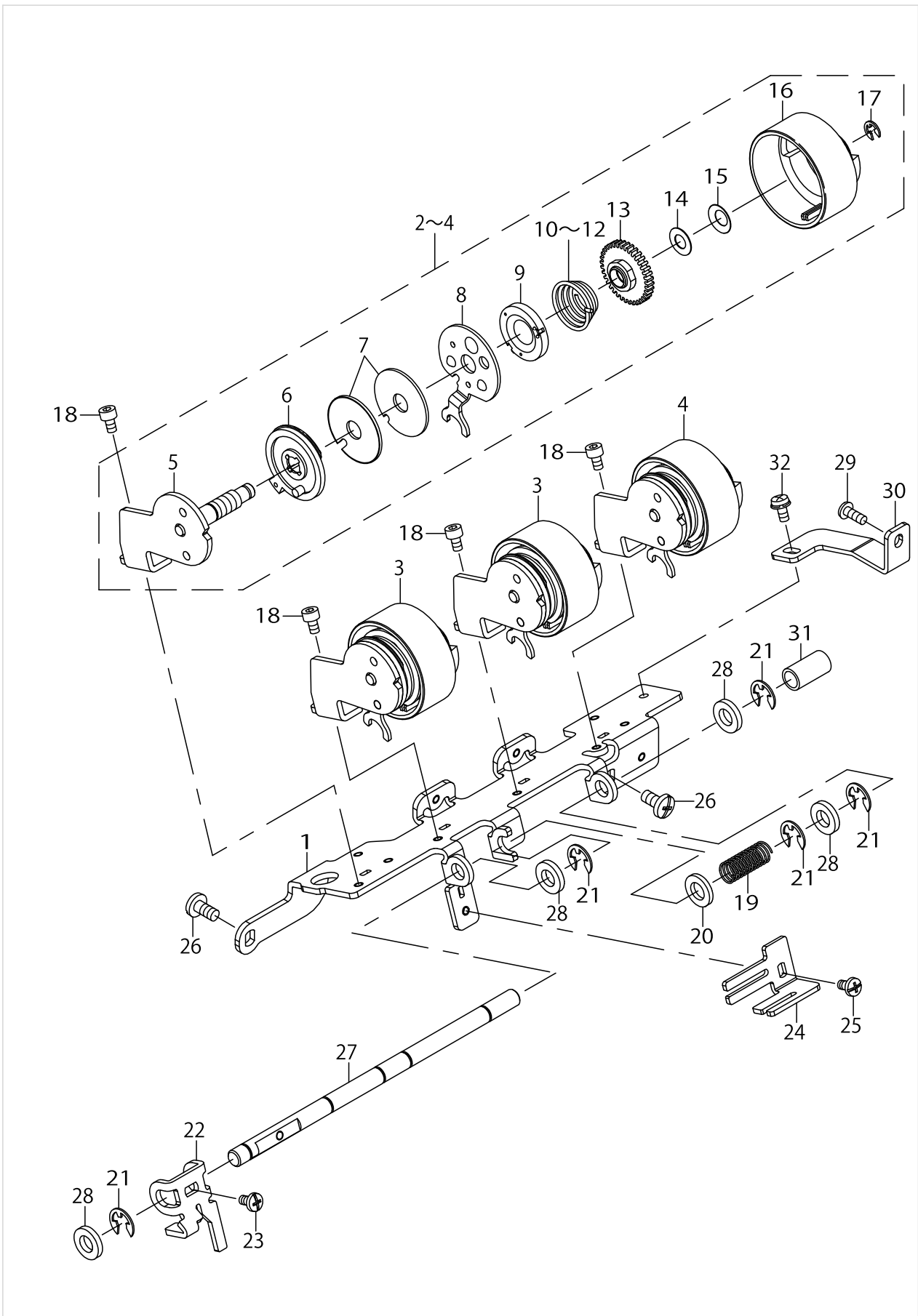
# STITCH TONGUE COMPONENTS



STITCH TONGUE COMPONENTS

No.	Supply Code	Parts No.	Replacement	Parts name	Remarks	Choice	Step	Level	Cons	Qty	Rep. QTY
41		RE0300000K0		E-RING_3	WITH MTC(-MO-1000M/ML)					2	
42		40150727		STITCH_TONGUE_BASE_B_ASSY	WITH NO MTC					1	
43		SM4031851SF		SCREW_M3_L=18	WITH NO MTC					2	
44		RE0200000K0		E-RING_2	WITH NO MTC					1	
45		WP0841600SE		WASHER_8	WITH NO MTC					1	
46		40135615		TONGUE_FIXED_PLATE	WITH NO MTC					1	
47		WP0820516SP		WASHER_11.6X8.2X0.6	WITH NO MTC					1	

# THREAD TENSION COMPONENTS

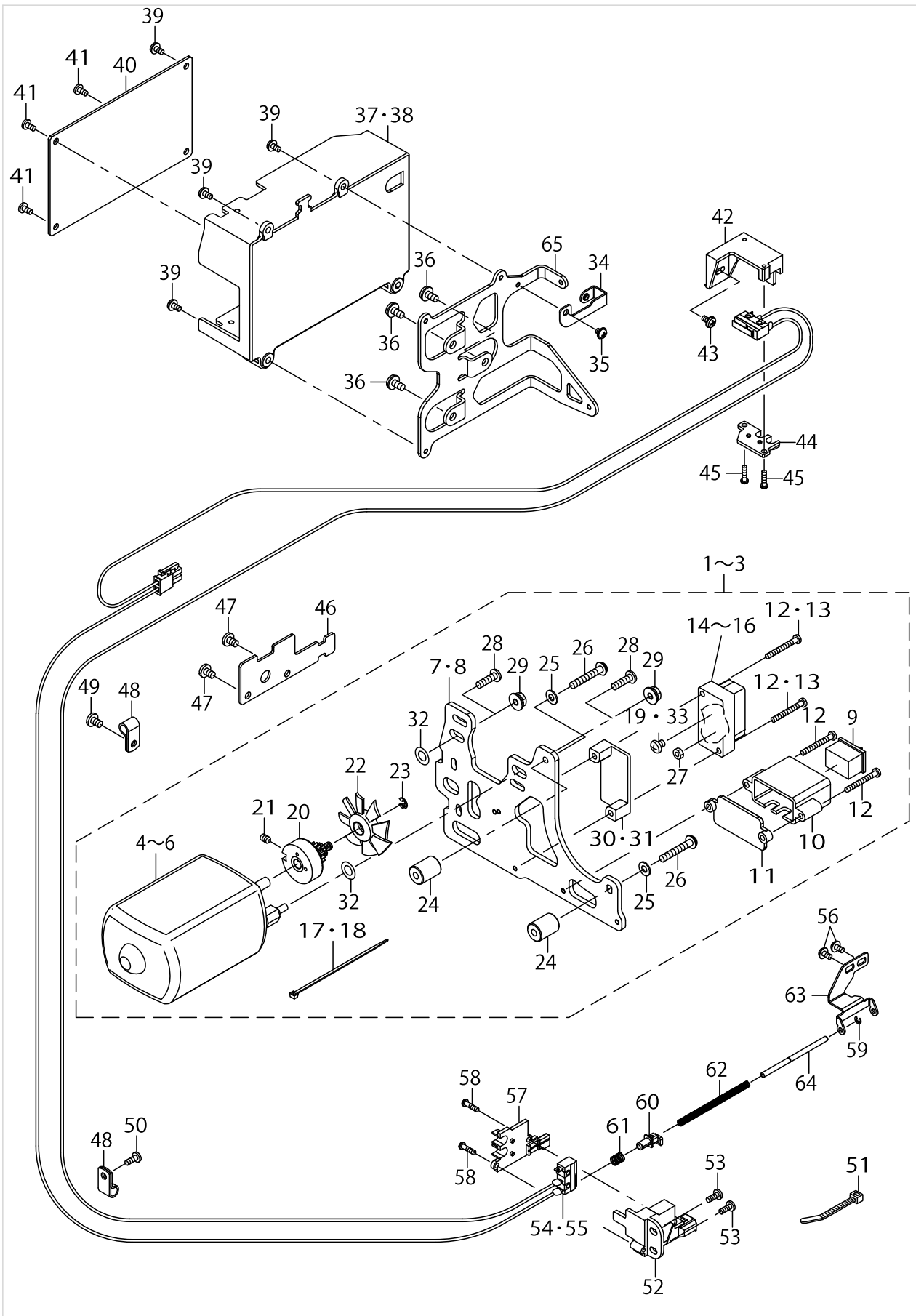


THREAD TENSION COMPONENTS

No.	Supply Code	Parts No.	Replacement	Parts name	Remarks	Choice	Step	Level	Cons	Qty	Rep. QTY
1		40134394		TENSION_UNIT_BASE_PLATE						1	
2		40136226		THREAD_TENSION_DIAL_ASSY_A	FOR THREE-AD TENSION DIAL ASSY A					1	
3		40136227		THREAD_TENSION_DIAL_ASSY_B	FOR THREE-AD TENSION DIAL ASSY B					2	
4		40136228		THREAD_TENSION_DIAL_ASSY_C	FOR THREE-AD TENSION DIAL ASSY C					1	
5		40134865		THREAD_TENSION_PLATE_ASSY				*		1	
6		40134870		THR_TENS_DISC_SET_PLATE				*		1	
7		A3910634000B		TENSION DISC				*		2	
8		40134392		THR_TENS_RELEASE_PLATE				*		1	
9		A3900634000		SPRING HOLDER				*		1	
10		A3903634000		SPRING	FOR THREE-AD TENSION DIAL ASSY A			*		1	
11		A3902634000		SPRING	FOR THREE-AD TENSION DIAL ASSY B			*		1	
12		A3906634000		LOWER THREAD TENSION SPRING	FOR THREE-AD TENSION DIAL ASSY C			*		1	
13		40134869		TENSION_ADJUST_NUT				*		1	
14		A31099DC000		WASHER				*		1	
15		A2110700000		SPRING WASHER				*		1	
16		40134108		THREAD_TENSION_DIAL				*		1	
17		RE0300000K0		E-RING 3				*		1	
18		SM6030502TP		SCREW M3X5						4	
19		40141854		SPRING						1	
20		WP0641600SD		WASHER M6						1	
21		RE0500000K0		E-RING						5	
22		A1575110000		THR.TENS.REL.JOINT PLATE						1	
23		SM5030655SN		SCREW M3X0.5 L=6						1	
24		A1576110000		THR.TENS.REL.LINK GUIDE PLATE						1	
25		SM5030655SN		SCREW M3X0.5 L=6						1	
26		SM5040855SN		SCREW						2	
27		40134871		THR_TENS_RELS_SHAFT						1	
28		A1577110000		WASHER						4	
29		ST5030851SN		SCREW M5X8						1	
30		40140664		FRONT_COVER_BRACKET_R						1	
31		40140939		INSULATION CAP	FOR MO-1-000,MO-2000QVP					1	
32		SL5030831SF		SCREW M3 L=8						1	



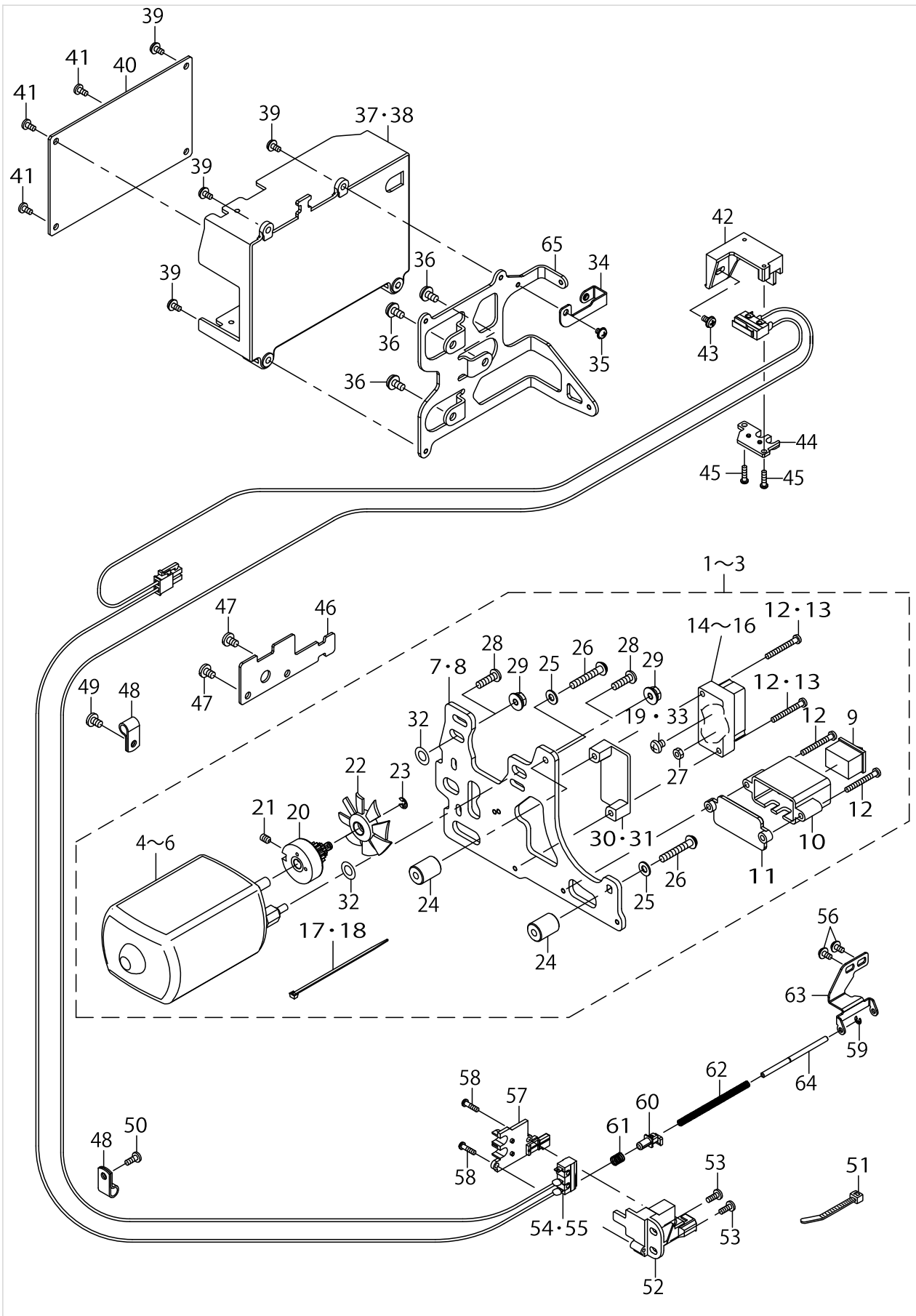
TRANSMISSION & MOTOR COMPONENTS



TRANSMISSION & MOTOR COMPONENTS

No.	Supply Code	Parts No.	Replacement	Parts name	Remarks	Choice	Step	Level	Cons	Qty	Rep. QTY
1		40141072		MOTOR_SUB_ASSY(DOM)						1	
2		40165484		MOTOR_SUB_ASSY(UL/CSA)	FOR UL,CSA					1	
3		40141074		MOTOR_SUB_ASSY(CE)	FOR CE					1	
4		40140926		MOTOR_ASSY(DOM)				*		1	
5		40143351		MOTOR_ASSY(UL)	FOR UL,CSA			*		1	
6		40140928		MOTOR_ASSY(CE)	FOR CE			*		1	
7		40135591		MOTOR_PLATE				*		1	
8		40141237		MOTOR PLAATE MOD	FOR CE			*		1	
9		A600364D000		POWER_SUPPLY SWITCH				*		1	
10		40135592		SWITCH_COVER				*		1	
11		40135593		SWITCH_COVER_BASE				*		1	
12		SM4032501SR		SCREW				*		4	
13		SM4032201SR		SCREW	FOR CE			*		2	
14		A6001102J00A		TERMINAL(DOM)				*		1	
15		A6001102G00		TERMINAL(CE)	FOR CE			*		1	
16		A6001102U00A		TERMINAL(UL)	FOR UL,CSA			*		1	
17		EA9500B0100		CABLE BAND				*		3	
18		EA9500B0100		CABLE BAND	FOR CE			*		4	
19		SM4040501SN		SCREW M4X0.7 L=5	FOR UL,CSA			*		3	
20	R	A6010130000	A60101300A0	INSULATIONMOTOR PULLEY				*		1	1.00
21		SM8040602TP		SCREW M4X0.7 L=6				*		1	
22		A710000900B		MOTOR SHAFT PULLEY FLANGE				*		1	
23		RE0300000K0		E-RING 3				*		1	
24		A6350110000		MOTOR FITTING BASE				*		2	
25		WP0430801SC		WASHER M4				*		2	
26		SL4042551SF		SCREW M4 L=25				*		2	
27		NM6030002MZ		NUT M3	FOR CE			*		3	
28		SM5041455SN		SCREW	FOR CE			*		2	
29		NM3040550SC		FLANGE NUT M4	FOR USE IN JAPAN,UL			*		2	
30		40135594		TERMINAL_BOX_BASE				*		1	
31		40135595		TERMINAL_COVER	FOR CE			*		1	
32		WP0641600SD		WASHER M6	FOR CE			*		2	
33		SM4030501SN		SCREW M3 L=5	FOR USE IN JAPAN			*		3	
34		40134478		POWER_PCB_GND_PLATE						1	
35		SL4030435SF		SCREW M3 L=4						1	
36		SL5040835SN		SCREW M4 L=8						3	
37		40134095		POWER_PCB_COVER	FOR USE IN JAPAN,CE					1	
38		40141851		POWER PCB COVER	FOR UL,CSA					1	
39		SL5030631SF		SCREW M3 L=6						4	
40		40141082		POWER_SUPPLY						1	
41		ST5030651SR		TAPPING SCREW D=3 L=6						3	
42		40134874		SAFETY_SW_P_COVER						1	
43		SL5030631SF		SCREW M3 L=6						1	
44		40134875		SAFETY_SW_P_INSULATION_PLATE						1	
45		ST4861051SN		TUPING SCREW						2	

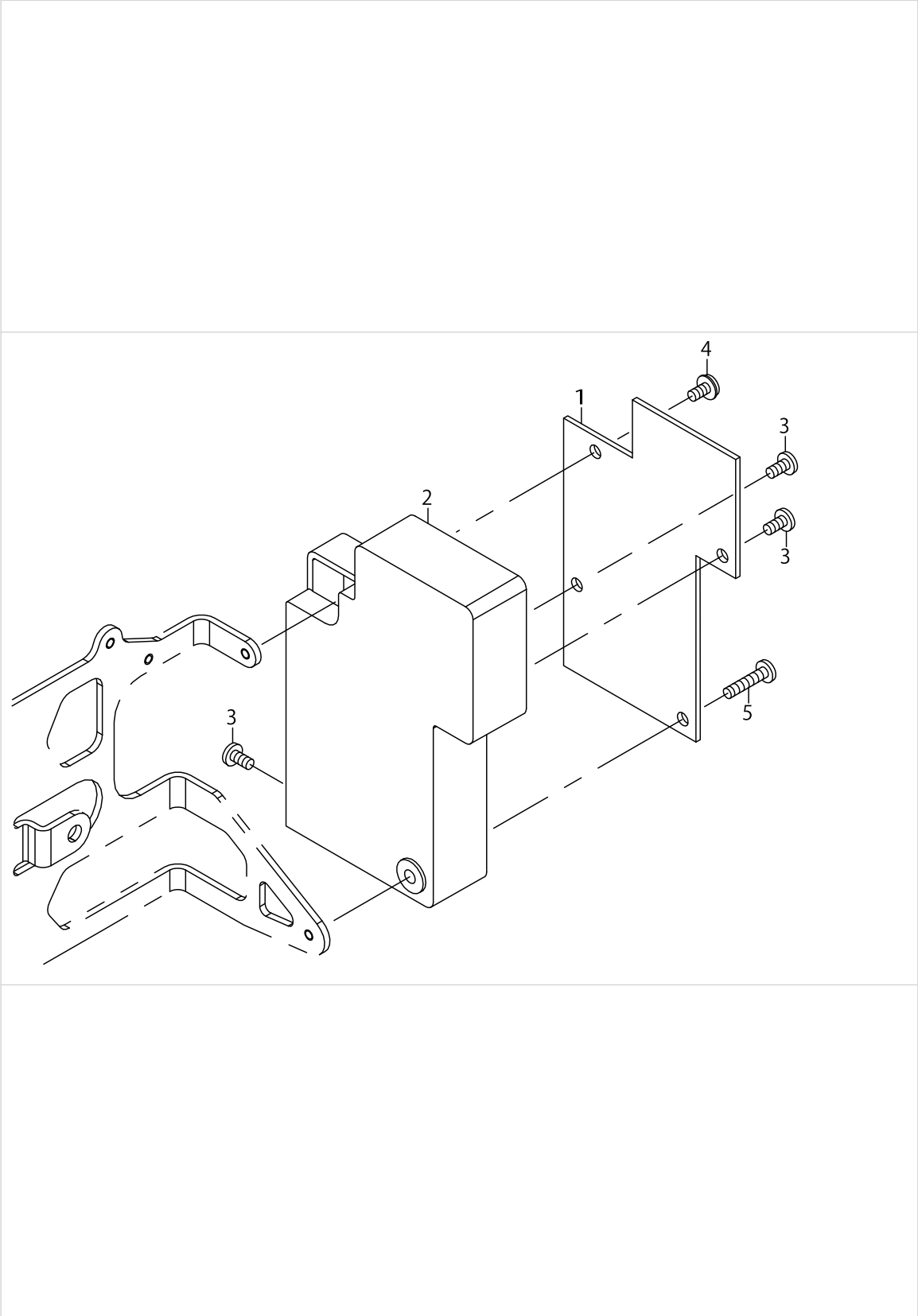
TRANSMISSION & MOTOR COMPONENTS



TRANSMISSION & MOTOR COMPONENTS

No.	Supply Code	Parts No.	Replacement	Parts name	Remarks	Choice	Step	Level	Cons	Qty	Rep. QTY
46		40134880		CNCT_FIX_PLATE						1	
47		SM5040655SN		SCREW						2	
48		HX00150000B		CABLE CLAMP						2	
49		SM5040655SN		SCREW						1	
50		ST5030851SN		SCREW M5X8						1	
51		A407855000B		BAND						5	
52		40139776		SAFETY_SW_C_COVER						1	
53		ST5030851SN		SCREW M5X8						2	
54		40134561		SAFETY_SW_CABLE- _ASSY(DOM/UL)	FOR USE IN JAPAN,UL					1	
55		40140052		SAFETY_SW_CABLE_ASSY(CE)	FOR CE					1	
56		SL4030631SC		SCREW M3 L=6						2	
57		40139775		SAFETY_SW_C_INSULATION_PLATE						1	
58		ST4861051SN		TUPING SCREW						2	
59		RE0200000K0		E-RING 2						1	
60		40139773		SAFETY_SW_C_PUSH_ROD						1	
61		40134879		SAFETY_SW_C_SP						1	
62		40134873		SAFETY_SW_PUSH_SP						1	
63		40134397		SAFETY_SW_PIN_HOLDER						1	
64		40139774		SAFETY_SW_PUSH_PIN						1	
65		40134477		PCB_BRACKET						1	

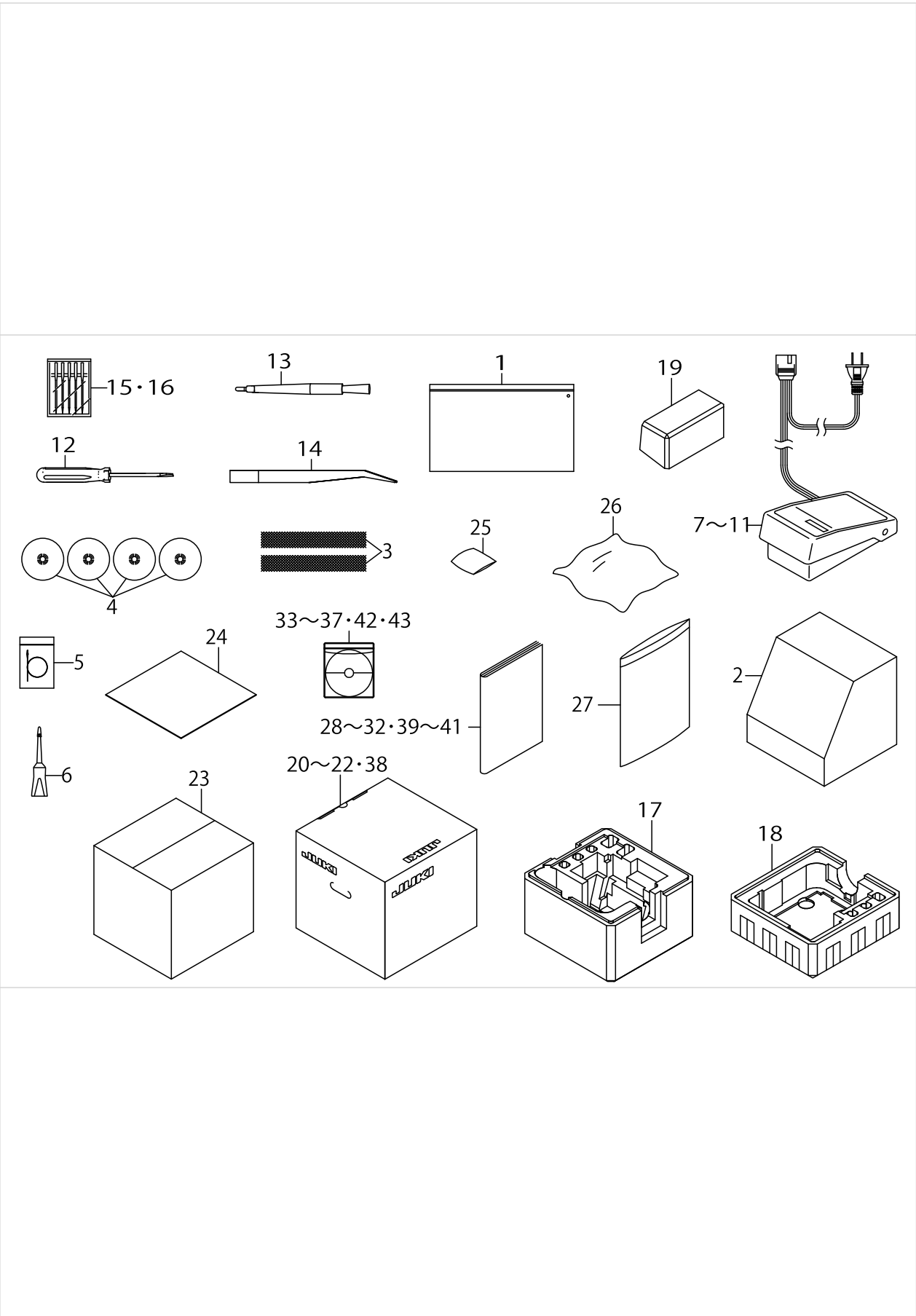
LCD COMPONENTS (FOR MO-1000ML,MO-2000QVP)



LCD COMPONENTS (FOR MO-1000ML,MO-2000QVP)

No.	Supply Code	Parts No.	Replacement	Parts name	Remarks	Choice	Step	Level	Cons	Qty	Rep. QTY
1		40131829		MPU_PCB_ASSY						1	
2		40134076		MPU_PCB_COVER						1	
3		ST5030651SR		TAPPING SCREW D=3 L=6						3	
4		SL5030631SF		SCREW M3 L=6						1	
5		SM5031401SC		SCREW M3 L=14						1	

ACCESSORIE PARTS COMPONENTS

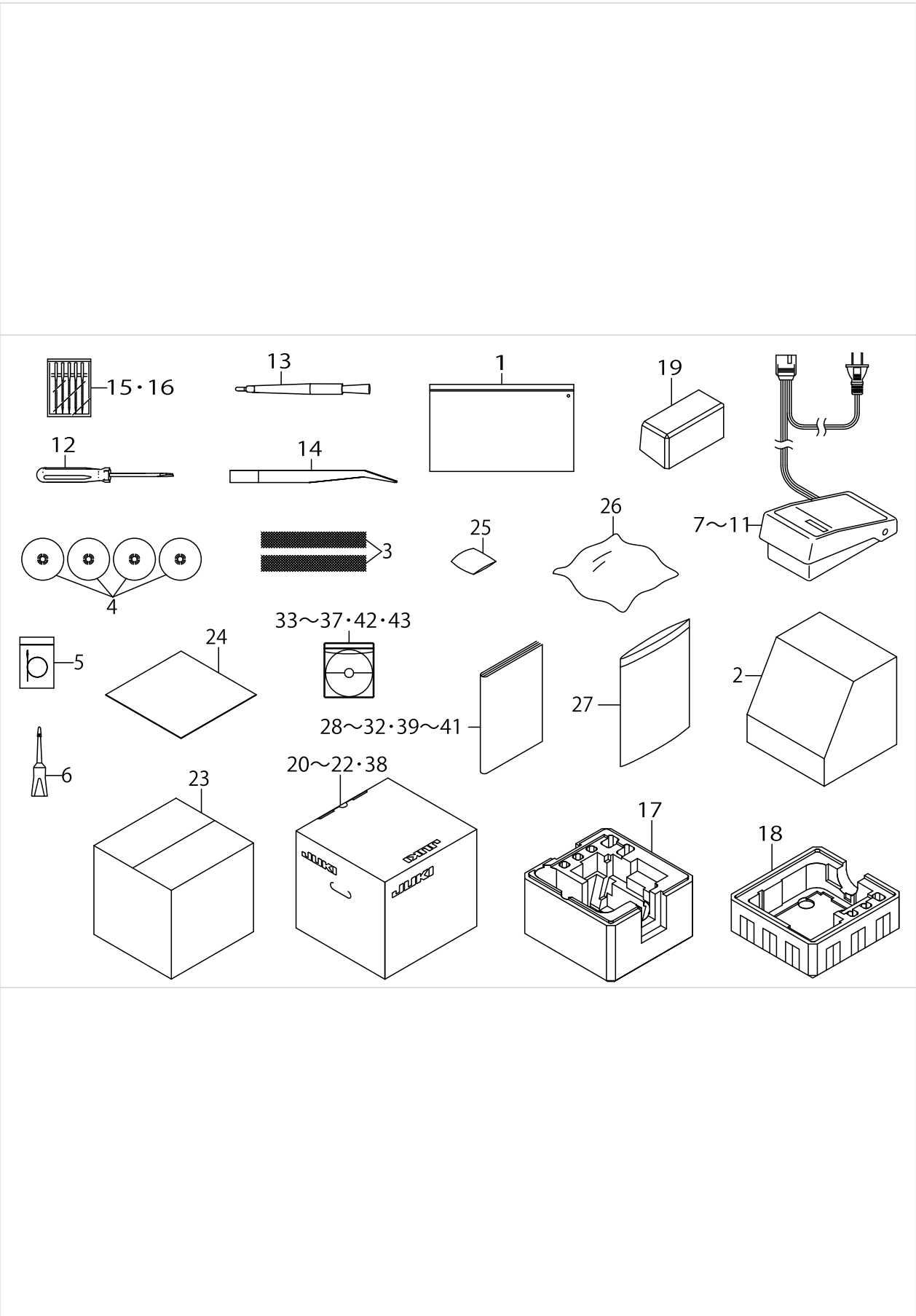


ACCESSORIE PARTS COMPONENTS

No.	Supply Code	Parts No.	Replacement	Parts name	Remarks	Choice	Step	Level	Cons	Qty	Rep. QTY
1	R	B9101552000	22932800	ACCESSORY_BOX						1	1.00
2		A9102800000		VINYL_COVER						1	
3		A9116335000		PLASTIC_NET						2	
4	R	A9106776000	A9106776000B	THREAD_SPOOL_CAP						4	1.00
5		40138981		ASSY_LOOPER_THREADING_TOOL						1	
6		A91041020A0		OILER_WITH_OIL_ASM	FOR UL,C- SA,CE,BS,AUS,CH					1	
7		MSA1730AHAJA		CONTROLLER_DOM	FOR USE IN JAPAN(M,ML)					1	
8		40166219		FOOT_CONTROLLER_UL/CSA	FOR UL,CSA					1	
9		A640111000AB		CONTROLLER_CE	FOR CE,CH					1	
10		A640111000CB		CONTROLLER_BS	FOR BS					1	
11		A640111000BB		CONTROLLER_AUS	FOR AUS					1	
12		A9110776000		SMALL_SCREWDRIVER(-)						1	
13		40065952		NEEDLE_INSERTER_TOOL/BRUSH						1	
14		A9109202000		TWEEZERS						1	
15		A91175030A0		NEEDLE_SET_WITH_CASE	FOR USE IN JAPAN(M,ML)					1	
16		A9114C090A0		NEEDLE_CASE_ASM.	FOR UL,C- SA,CE,BS,AUS,CH					1	
17	R	40134916	40134915	CUSHIONING_TOP_MO-1000						1	1.00
18	R	40134917	40134915	CUSHIONING_BOTTOM_MO-1000						1	1.00
19		40134999		CUSHIONING_FRONT_MO-1000						1	
20		40139186		COLOR_CARTON_CASE_MO-1000M	FOR MO-1000M					1	
21		40139294		COLOR_CARTON_C- ASE_MO-1000ML	FOR MO-1000ML					1	
22		40139185		COLOR_CARTON_CASE_MO-1000_F	FOR UL,C- SA,CE,BS,AUS,CH					1	
23		40139171		CARTON_CASE_PR- OTECTION_MO-1000_D	FOR CH					1	
24		40153068		PACKING_PAD	FOR CH					1	
25		J0240082A00		SILICAGEL						1	
26		J0231082A0B		COVER						1	
27		A9181008000		VINYL						1	
28		40134907		INSTRUCTION_MANUAL_MO-1000M	FOR MO-1000M					1	
29		40136020		INSTRUCTION_MAN- UAL_MO-1000ML	FOR MO-1000ML					1	
30		40141813		INSTRUCTION_MAN- UAL_MO-1000_AY	FOR MO-1- 000/UL,CS- A,CE,CE3,BS, AUS					1	
31		40141814		INSTRUCTION_MAN- UAL_MO-1000_BY	FOR MO-1- 000/CE2,CE3					1	
32		40152372		INSTRUCTION_MAN- UAL_MO-1000_C	FOR CH					1	
33		40139060		ASSY_INSTRUCTIO- N_DVD_MO-1000M	FOR MO-1000M					1	
34		40139057		ASSY_INSTRUCTIO- N_DVD_MO-1000ML	FOR MO-1000ML					1	
35		40139054		ASSY_INSTRUCTIO- N_DVD_MO-1000_NTSC	FOR MO-1000/UL					1	
36		40139051		ASSY_INSTRUCTIO- N_DVD_MO-1000_PAL	FOR MO-1- 000/CE,BS,AUS					1	
37		40152559		ASSY_INSTRUCTIO- N_DVD_MO-1000_PAL(CH)	FOR CH					1	
38		40166584		COLOR_CARTON_C- ASE_MO-2000QVP	FOR MO-2000QVP					1	
39		40166593		INSTRUCTION_MAN- UAL_MO-2000QVP_ESF	FOR MO-2- 000QVP/UL					1	



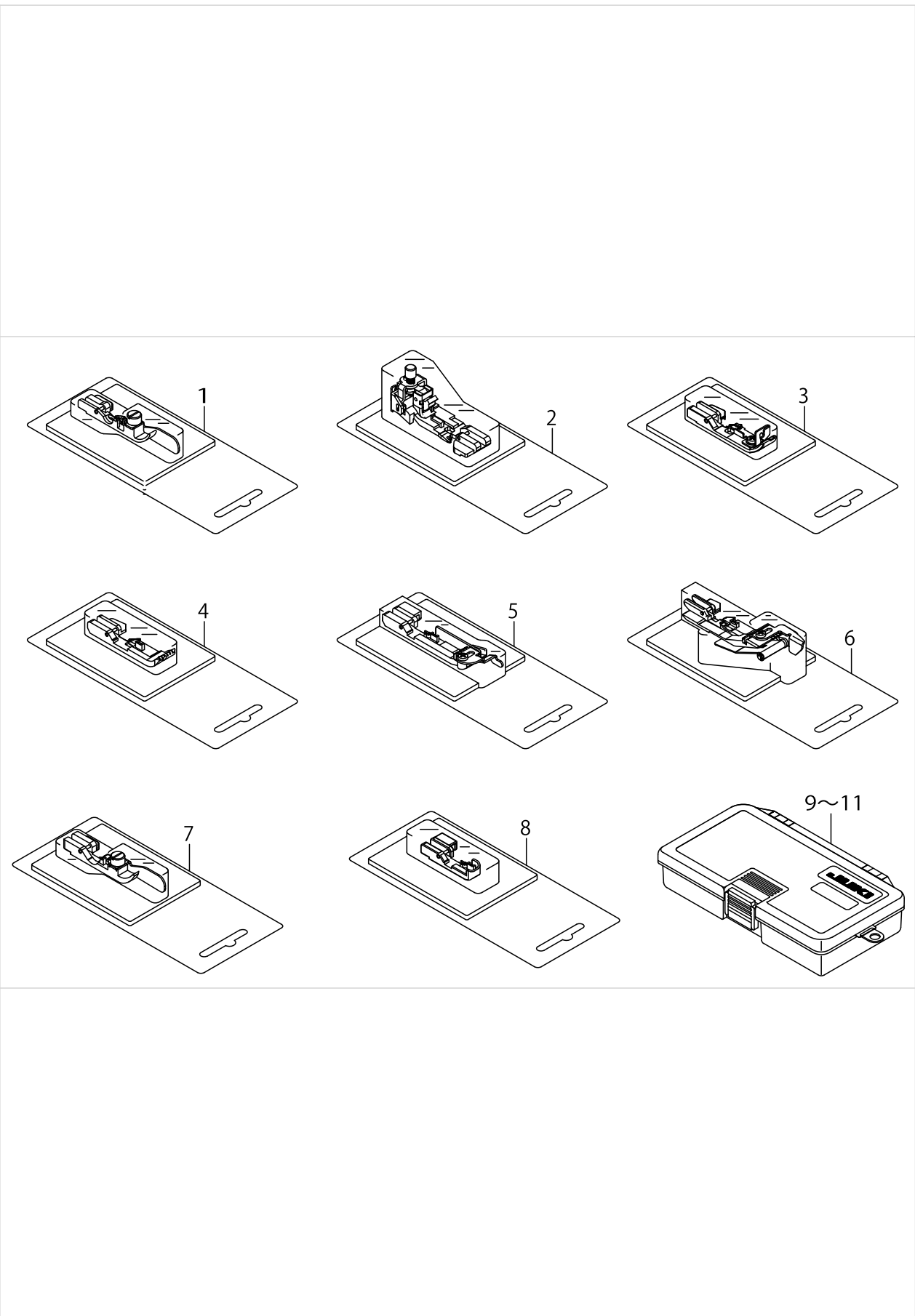
ACCESSORIE PARTS COMPONENTS



ACCESSORIE PARTS COMPONENTS

No.	Supply Code	Parts No.	Replacement	Parts name	Remarks	Choice	Step	Level	Cons	Qty	Rep. QTY
40		40166594		INSTRUCTION_MAN- UAL_MO-2000QVP_ENG	FOR MO-2- 000QVP/CE,BS					1	
41		40166595		INSTRUCTION_MAN- UAL_MO-2000QVP_ITA	FOR MO-2- 000QVP/CE					1	
42		40166587		ASSY_INSTRUCTIO- N_DVD_MO-2000QVP_NTSC	FOR MO-2- 000QVP/UL					1	
43		40166590		ASSY_INSTRUCTIO- N_DVD_MO-2000QVP_PAL	FOR MO-2- 000QVP/CE,BS					1	

OPTION COMPONENTS



OPTION COMPONENTS

No.	Supply Code	Parts No.	Replacement	Parts name	Remarks	Choice	Step	Level	Cons	Qty	Rep. QTY
1		40138091		BLIND_STITCH_PRES- SSER_FOOT_BLISTER_ASM						1	
2		40138095		ERASTICATOR_P_F- OOT_BLISTER_ASM						1	
3		40138099		CORDING_PRESSER- _FOOT_BLISTER_ASM						1	
4		40138103		PIPING_PRESSER_F- OOT_BLISTER_ASM						1	
5		40138106		BEADING_PRESSER- _FOOT_BLISTER_ASM						1	
6		40138121		GATHERING_PRESS- ER_FOOT_BLISTER_ASM						1	
7		40149058		UNIV_BLIND STITC- H_FOOT_BLISTER_ASM						1	
8		40149059		CURVE_PEARL_P_F- OOT_BLISTER_ASM						1	
9		40149060		3PCS_PRESSER_FO- OT_ATTACHMENT_KIT						1	
10		40149061		6PCS_PRESSER_FO- OT_ATTACHMENT_KIT						1	
11		40149062		8PCS_PRESSER_FO- OT_ATTACHMENT_KIT						1	

## HOW TO MAKE USE OF THIS PARTS LIST

1.As to "#01" and "#02" refer to the "Note" given at the bottom of the respective pages.

2.Codes on the "Qty" column

- Each numeral indicates the number of parts required.
- "0.1" and "2.5" indicate the length (in meters) of the respective parts.

3.Parentheses mean that the corresponding part is a subpart that constructs an assembly part.

4.Dotted lines on the Figures indicate assembly parts.

1. リストページの# 0 1、# 0 2の印は、ページ下の"注記"の説明を参照下さい。
2. 数量欄の数字は、個数を表し、0. 1、2. 5等の数値は、長さ（単位メートル）を表します。
3. 数量欄の（ ）は、組部品を構成している子部品であることを意味します。
4. イラストページの-----枠は、組構成であることを意味します。

# NUMERICAL INDEX OF PARTS

PART NO	PAGE	REF NO.	PART NO	PAGE	REF NO.	PART NO	PAGE	REF NO.
174803004000	34	29	40134321	26	1	40134389	18	86
40056010	30	7	40134322	6	6	40134390	18	87
40065952	46	13	40134323	6	7	40134391	18	89
40131829	44	1	40134324	6	9	40134392	38	8
40131834	6	30	40134325	6	11	40134394	38	1
40134021	2	6	40134326	4	6	40134395	2	11
40134022	6	2	40134327	8	39	40134397	42	63
40134025	6	23	40134328	4	14	40134400	14	12
40134028	6	24	40134332	32	80	40134402	14	1
40134031	6	20~ 22-49	40134333	12	1	40134403	14	2
40134034	6	20~ 22-49	40134337	12	11	40134404	14	3
40134037	6	20~ 22-49	40134338	12	14	40134405	14	4
40134038	32	62	40134339	12	16	40134406	14	6
40134040	4	2	40134340	12	25	40134407	14	10
40134046	4	13-33	40134341	12	26	40134408	14	15
40134051	12	4	40134343	24	58	40134409	14	17
40134056	34	32	40134344	22	20	40134411	22	11
40134057	34	36	40134347	22	19	40134412	22	15
40134058	34	38	40134348	22	40	40134413	22	34
40134063	16	2	40134349	22	42	40134413	26	4
40134065	16	4	40134350	24	48	40134414	22	29
40134069	6	26	40134351	24	49	40134415	22	30
40134070	6	28	40134352	22	36	40134416	22	35
40134073	6	29	40134354	24	52	40134417	22	37
40134076	44	2	40134355	24	54	40134419	26	7
40134077	6	15	40134356	34	2	40134421	26	12
40134078	6	16	40134358	34	5	40134422	26	13
40134080	14	5	40134362	34	15	40134423	26	14
40134081	14	8	40134363	34	23	40134426	26	21
40134083	26	38	40134365	34	28	40134427	26	22
40134084	26	40	40134367	34	34	40134428	26	23
40134085	26	42	40134368	34	35	40134430	26	24
40134086	28	49	40134370	10	1	40134431	26	25
40134087	28	54	40134373	16	3	40134432	26	27
40134088	28	56	40134374	16	5	40134433	26	28
40134089	28	58	40134375	16	28	40134434	26	29
40134090	28	59	40134376	16	32	40134436	26	32
40134091	32	68	40134377	16	33	40134438	26	36
40134094	32	76	40134378	18	51	40134442	28	51
40134095	40	37-38	40134379	18	55	40134443	28	62
40134096	8	50	40134380	18	58	40134444	28	64
40134104	22	28	40134381	18	61	40134445	30	3
40134108	38	16	40134382	18	65	40134446	30	5
			40134387	18	67	40134447	30	2
			40134388	18	70	40134448	30	8

# NUMERICAL INDEX OF PARTS

PART NO	PAGE	REF NO.	PART NO	PAGE	REF NO.	PART NO	PAGE	REF NO.
40134449	30	10			28~			33~
40134450	30	13	40134907	46	32·39~	40139054	46	37·42·43
40134451	30	14			41			33~
40134452	30	15	40134916	46	17	40139057	46	37·42·43
40134454	30	24	40134917	46	18	40139060	46	33~
40134456	30	18	40134941	2	3			37·42·43
40134457	30	19	40134999	46	19	40139171	46	23
40134458	30	22	40135000	12	8	40139185	46	20~
40134461	30	32	40135001	4	16			22·38
40134462	30	37	40135002	4	17	40139186	46	20~
40134463	30	41	40135003	4	18			22·38
40134464	30	17	40135004	4	19	40139204	10	9
40134465	30	44	40135476	6	31	40139294	46	20~
40134468	32	50	40135477	14	18			22·38
40134470	32	55	40135591	40	7·8	40139750	30	42
40134471	32	57	40135592	40	10	40139773	42	60
40134473	32	64	40135593	40	11	40139774	42	64
40134475	30	31	40135594	40	30·31	40139775	42	57
40134476	32	78	40135595	40	30·31	40139776	42	52
40134477	42	65	40135615	36	46	40139918	4	15
40134478	40	34	40135643	10	10	40140052	42	54·55
40134480	32	39·82	40136011	28	46	40140664	38	30
40134481	30	39·82	40136020	46	28~	40140665	6	18
40134484	6	25			32·39~	40140926	40	4~6
40134561	42	54·55	40136206	6	41	40140928	40	4~6
40134563	6	13	40136212	2	1	40140939	38	31
40134564	6	14	40136215	4	5	40141072	40	1~3
40134842	22	3	40136217	6	1	40141074	40	1~3
40134843	22	4	40136226	38	34·35	40141082	40	40
40134844	22	5	40136227	38	2~4	40141151	22	22
40134845	22	8	40136228	38	2~4	40141237	40	7·8
40134854	34	24	40136252	30	1			28~
40134861	10	2	40136253	30	12	40141813	46	32·39~
40134862	10	3	40136267	22	1			41
40134864	10	4	40136268	22	27	40141814	46	32·39~
40134865	38	5	40136271	16	1			41
40134869	38	13	40138091	50	1	40141851	40	37·38
40134870	38	6	40138095	50	2	40141854	38	19
40134871	38	27	40138099	50	3	40142108	12	33
40134873	42	62	40138103	50	4	40142844	26	10
40134874	40	42	40138106	50	5	40143079	22	21
40134875	40	44	40138121	50	6	40143080	22	32
40134879	42	61	40138126	8	45·46	40143101	28	45
40134880	42	46	40138981	46	5	40143102	28	67
40134900	32	63	40139051	46	33~	40143351	40	4~6
					37·42·43	40143792	4	7
						40143819	2	1

NUMERICAL INDEX OF PARTS

PART NO	PAGE	REF NO.	PART NO	PAGE	REF NO.	PART NO	PAGE	REF NO.
40143822	2	16	40166219	46	7~11	A1414502000	12	23
40143823	26	8	40166565	8	20~	A1416777000	12	10
40143824	26	5			22·49	A1421776000	4	30
40144426	26	34	40166567	4	13·33	A1424777000	34	40
40144427	26	30	40166584	46	20~	A1502110000	10	11
40144945	32	70			22·38	A1504110000A	10	15
40146076	34	4	40166586	6	34·35	A1505110000	10	17
40146324	30	30	40166587	48	33~	A1506110000	10	19
40146325	32	72			37·42·43	A1507110000	10	13
40146338	30	26	40166590	48	33~	A15141100A0B	10	8
40146456	30	27			37·42·43	A15141100B0B	10	6
40146457	30	28	40166593	46	28~	A1516110000	10	7
40148165	30	29			32·39~	A15611100A0	10	20
40148285	20	95	40166594	48	28~	A15643240A0	10	22
40149058	50	7			41	A1568110000	10	25
40149059	50	8	40166595	48	28~	A15701100A0	10	27
40149060	50	9~11			32·39~	A1575110000	38	22
40149061	50	9~11	A1118776000B	4	41	A1576110000	38	24
40149062	50	9~11	A1120202000	4	26	A1577110000	38	28
40150050	26	15	A11207760A0B	4	29	A1610655000	16	7
40150053	26	17	A11211100A0	4	32	A1611655000	16	6
40150054	26	37	A1121776000	4	31	A1612535000	18	73
40150136	26	19	A1123535000	2	28	A1613535000	18	75
40150718	34	6	A1130535000	8	7	A1613655000	16	10
40150721	34	8	A1135535000	2	42	A1614534D00	16	19
40150722	34	12	A11381100A0	4	14	A1614655000	16	13
40150725	34	25	A1138335000	2	3	A1615534D00	16	16
40150727	36	42	A1145110000	2	4	A1616030Z00	18	53
40150729	34	1	A1152110000	6	10	A1616534D00	18	64
40150730	34	10	A1154110000	8	3	A1618534D0A	30	6
40150731	34	13	A1155110000	8	40	A16196550A0	16	11
40150732	34	21	A1156776000	6	41	A1620534DA0	16	18
40150733	34	26	A1157776000	8	37	A1630534D00	16	14
40150736	34	30	A1160634000	4	45·46	A1630535000	18	69
40152314	22	2	A116731500AA	34	23	A1633534D00	16	27
40152315	22	17	A1205634000	12	20	A1634655000A	16	23
40152316	22	10	A1206102000	12	6	A1637534D00	18	60
		28~	A1206202000	12	3	A1638776000	18	63
40152372	46	32·39~	A1206335000	12	32	A1650534D00	18	84
		41	A1230500000A	12	31	A1651534D00	18	77
40152469	32	54	A1403102000	12	5	A1652534D00	18	78
		33~	A1404535000	12	17	A1653776000	16	43
40152559	46	37·42·43	A14065340A0	12	19	A1654776000A	18	48
40153068	46	24	A1407102000	12	7	A1655534D00	16	20
40153192	32	48	A1412535000	12	30	A1657534DA0	16	44
40165484	40	1~3			13			



NUMERICAL INDEX OF PARTS

PART NO	PAGE	REF NO.	PART NO	PAGE	REF NO.	PART NO	PAGE	REF NO.
A1660534D00A	16	36	A640111000CB	46	7~11	RE0300000K0	38	17
A1660800000	16	42	A710000900B	40	22	RE0300000K0	40	23
A16618000A0	16	39	A7117010000	32	46	RE0400000K0	10	21
A1663534D00	18	49	A9102800000	46	2	RE0400000K0	16	92
A1664534D00	16	38	A91041020A0	46	6	RE0400000K0	18	92
A1665534D00	18	80	A9106776000	46	4	RE0400000K0	20	92
A2110700000	38	15	A9109202000	46	14	RE0500000K0	2	13
A2501534000A	22	24	A9110776000	46	12	RE0500000K0	10	18
A2502534000A	22	26	A9114C090A0	46	15·16	RE0500000K0	16	90
A2503776000	22	45	A9116335000	46	3	RE0500000K0	18	90
A2504776000	22	46	A91175030A0	46	15·16	RE0500000K0	26	33
A2505776000	22	43	A9181008000	46	27	RE0500000K0	38	21
A2515534000A	24	57	B9101552000	46	1	RE0600000K0	12	21
A2529335000	18	85	EA9500B0100	40	17·18	RE0600000K0	24	51
A2538554000	6	19	HX00150000B	42	48	RE0600000K0	30	71
A2561777000	24	56	J0231082A0B	46	26	RE0600000K0	32	71
A3107776000A	4	9	J0240082A00	46	25	RO037180100	26	11
A31099DC000	32	47	MC221500800	12	28·29	SL4030435SF	40	35
A31099DC000	38	14	MHA100B1100	12	28·29	SL4030631SC	8	44
A3110130000	6	5	MSA1730AHAJA	46	7~11	SL4030631SC	42	56
A3110202000	6	8	NM3040550SC	40	29	SL4030891SC	26	41
A3171800000	4	8	NM6020003SR	28	44	SL4040855SN	4	22
A3176776000	4	10	NM6030002MZ	40	27	SL4042551SF	40	26
A3205555A00	22	12	PH0200062C0	32	77	SL5030631SF	24	55
A3205555A00	32	67	PH0200062C0	34	37	SL5030631SF	28	57
A3811550000	28	48	PS0100052KP	34	7	SL5030631SF	40	43
A3900634000	38	9	PS0200082KP	32	53	SL5030631SF	44	4
A3902634000	38	10~12	PS0200122KP	26	39	SL5030831SF	4	12
A3903634000	38	10~12	PS0400322KP	12	2	SL5030831SF	38	32
A3906634000	38	10~12	RC0150001KP	18	72	SL5031031SN	6	12
A3910634000B	38	7	RE0120000K0	22	7	SL5040835SN	2	2
A407855000B	28	66	RE0150000K0	34	19	SL5040835SN	16	30
A407855000B	42	51	RE0200000K0	34	44	SL5040835SN	28	65
A4123335000	32	60	RE0200000K0	36	44	SL5040835SN	40	36
A4124335000	32	58	RE0200000K0	42	59	SL6030692TN	26	18
A4149535000	32	66	RE0300000K0	4	20	SM1030601SP	30	25
A415613M000	34	33	RE0300000K0	8	43	SM1040801SN	30	36
A6001102G00	40	14~16	RE0300000K0	10	29	SM4020201SC	34	14
A6001102J00A	40	14~16	RE0300000K0	14	7	SM4020351SC	34	22
A6001102U00A	40	14~16	RE0300000K0	16	83	SM4021201SC	26	43
A600364D000	40	9	RE0300000K0	18	83	SM4030301SC	10	5
A6010130000	40	20	RE0300000K0	28	63	SM4030455SN	12	9
A6350110000	40	24	RE0300000K0	30	52	SM4030501SN	40	19·33
A640111000AB	46	7~11	RE0300000K0	32	52	SM4030655SP	18	59
A640111000BB	46	7~11	RE0300000K0	36	41	SM4030655SP	22	38

# NUMERICAL INDEX OF PARTS

PART NO	PAGE	REF NO.	PART NO	PAGE	REF NO.	PART NO	PAGE	REF NO.
SM4030655SP	26	52	SM5041455SN	40	28	WP0310316RZ	30	11
SM4030655SP	28	52	SM5051255SN	2	8	WP0320501SC	4	4
SM4030655SP	32	59	SM6030502TP	14	19	WP0320501SC	28	60
SM4030655SP	34	31	SM6030502TP	38	18	WP0320501SC	34	16
SM4031851SF	36	43	SM8020202UZ	34	3	WP0430801SC	4	25
SM4032201SR	40	12·13	SM8030302TP	18	57	WP0430801SC	10	28
SM4032501SR	40	12·13	SM8030302TP	22	33	WP0430801SC	16	82
SM4040501SN	40	19·33	SM8030302TP	30	16	WP0430801SC	18	82
SM4040655SN	12	15	SM8030312TP	22	16	WP0430801SC	28	55
SM4040655SN	18	76	SM8030312TP	28	68	WP0430801SC	30	20
SM4040655SN	30	86	SM8030312TP	32	73	WP0430801SC	34	39
SM4040655SN	32	86	SM8030402TP	14	16	WP0430801SC	40	25
SM4040855SN	24	59	SM8030402TP	18	79	WP0520316RZ	20	93·94
SM4850455SP	32	45	SM8030402TP	22	18	WP0520516RZ	20	93·94
SM5020301SC	22	9	SM8040402TP	10	26	WP0641600SD	38	20
SM5020301SC	34	27	SM8040402TP	12	24	WP0641600SD	40	32
SM5030455SF	2	12	SM8040402TP	18	91	WP0820316RZ	30	84·85
SM5030455SF	10	23	SM8040402TP	22	44	WP0820316RZ	32	84·85
SM5030455SF	14	11	SM8040412TP	26	26	WP0820516SP	12	20
SM5030455SF	32	79	SM8040602TP	18	71	WP0820516SP	24	50
SM5030655SN	10	24	SM8040602TP	22	47	WP0820516SP	30	84·85
SM5030655SN	16	54	SM8040602TP	24	47	WP0820516SP	32	84·85
SM5030655SN	18	54	SM8040602TP	30	75	WP0820516SP	36	47
SM5030655SN	22	31	SM8040602TP	32	75	WP0841600SE	36	45
SM5030655SN	32	81	SM8040602TP	40	21	WZ0320290UZ	34	17
SM5030655SN	38	25	SM8050402TP	10	12			
SM5030855SN	16	40	SM8050602TP	12	27			
SM5030855SN	22	13	SM8050602TP	22	41			
SM5030855SN	30	83	SM9040803SD	32	74			
SM5030855SN	32	83	SM9050850SP	22	23			
SM5031001SE	16	37	ST4021251SN	14	9			
SM5031201SN	26	9	ST4861051SN	40	58			
SM5031401SC	44	5	ST4861051SN	42	58			
SM5040655SN	14	14	ST5030651SR	4	5			
SM5040655SN	16	96	ST5030651SR	40	41			
SM5040655SN	20	96	ST5030651SR	44	3			
SM5040655SN	42	49	ST5030851SN	2	9			
SM5040855SN	2	15	ST5030851SN	4	11			
SM5040855SN	8	47	ST5030851SN	6	38			
SM5040855SN	10	16	ST5030851SN	28	61			
SM5040855SN	26	2	ST5030851SN	38	29			
SM5040855SN	38	26	ST5030851SN	42	53			
SM5041055SN	6	33	ST5031051SN	6	10			
SM5041055SN	16	34	ST5041051SN	4	27			
SM5041255SN	8	48	WP0220301SC	22	6			