

MODEL : HZL-X Series

List No : 6037-01

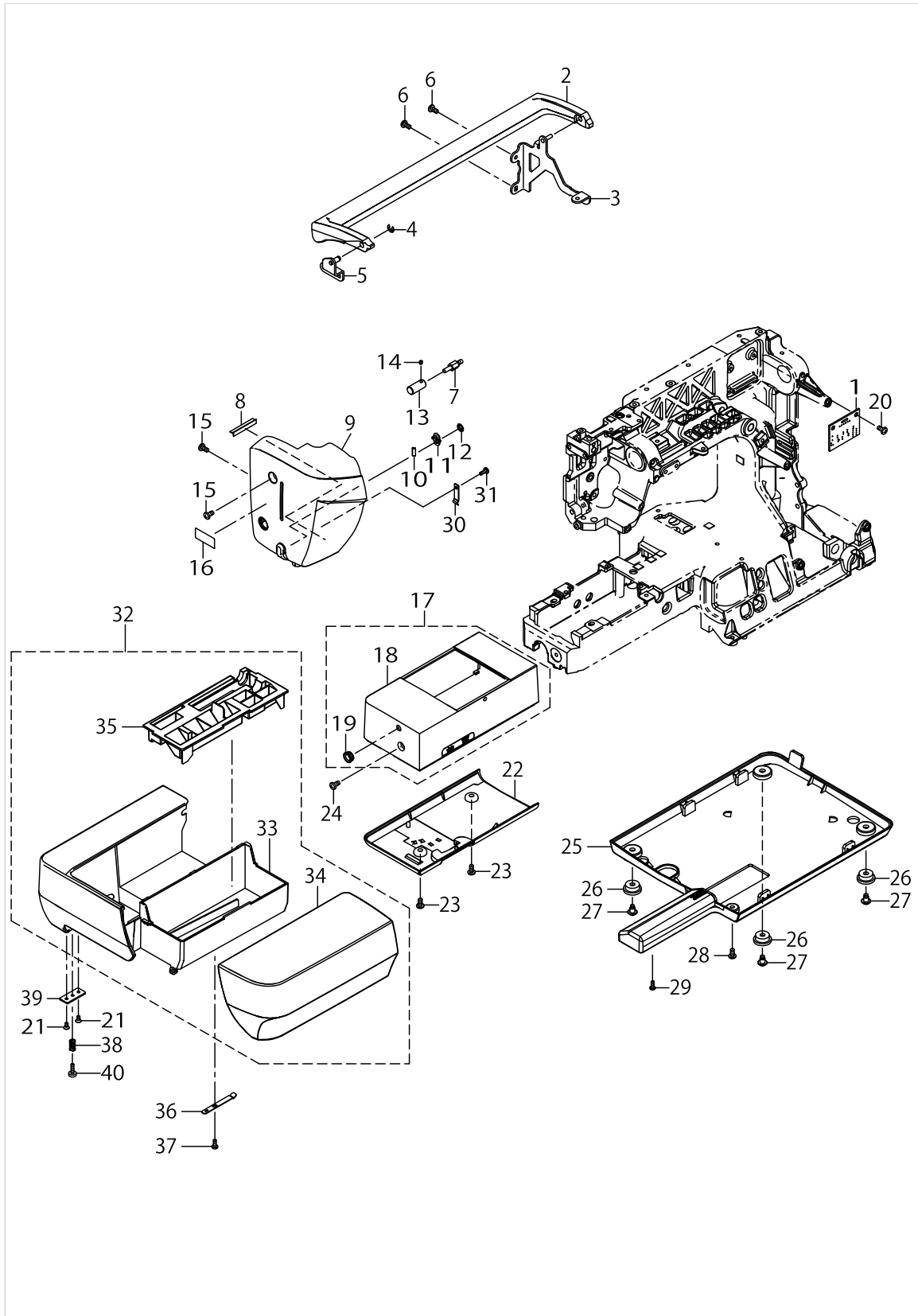
PARTS LIST

Published:05/12/2017

CONTENTS

FRAME MISCELLANEOUS COVER COMPONENTS (1).....	1
FRAME MISCELLANEOUS COVER COMPONENTS (2).....	3
THROAT PLATE COMPONENTS.....	7
UPPER SHAFT & TAKE UP COMPONENTS.....	9
NEEDLE BAR & NEEDLE THREADER COMPONENTS.....	11
PRESSER MECHANISM & NEEDLE THROWING COMPONENTS.....	15
HAND LIFTER COMPONENTS.....	19
FEED MECHANISM COMPONENTS.....	21
LOWER SHAFT & HOOK COMPONENTS.....	25
THREAD TRIMMER COMPONENTS.....	29
THREAD TENSION COMPONENTS.....	33
BOBBIN WINDER COMPONENTS.....	37
KNEE LIFTER COMPONENTS.....	39
POWER SUPPLY & MAIN MOTOR COMPONENTS.....	41
ACCESSORY PARTS COMPONENTS (1).....	43
ACCESSORY PARTS COMPONENTS (2).....	47
PACKING MATERIAL COMPONENTS.....	49
OPTIONAL ACCESSORY PARTS COMPONENTS.....	51
HOW TO MAKE USE OF THIS PARTS LIST.....	53

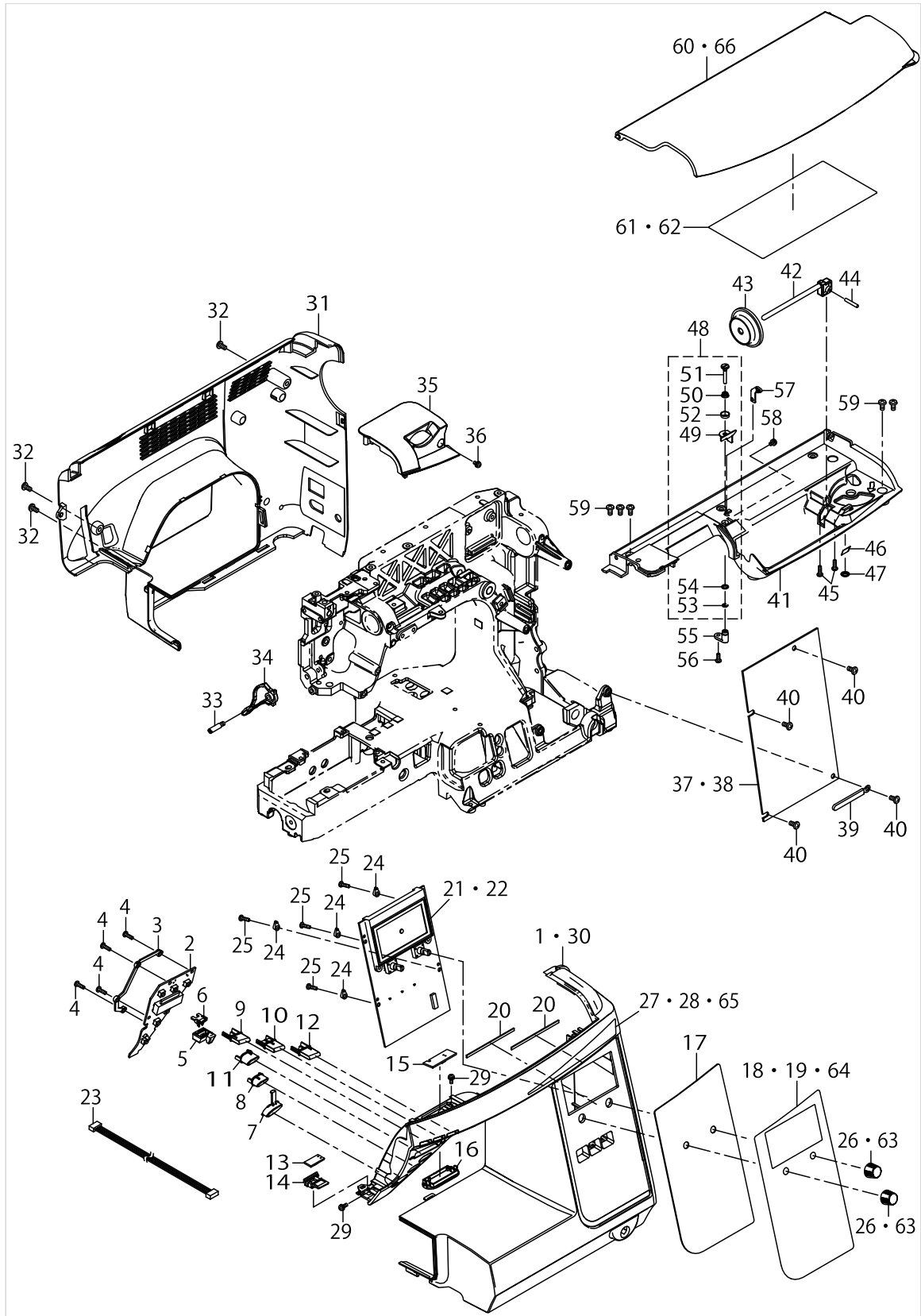
FRAME MISCELLANEOUS COVER COMPONENTS (1)



FRAME MISCELLANEOUS COVER COMPONENTS (1)

No.	Supply Code	Parts No.	Replacement	Parts name	Remarks	Choice	Step	Level	Cons	Qty	Rep. QTY
1		40056554		ASSY_SYNC_CIRCUIT_BOARD						1	
2		40059249		HANDLE						1	
3		40107895		HANDLE_BRACKET_ASSY						1	
4		RE040000K0		E-RING 4						1	
5		40062500		HANDLE_BRACKET_L_ASSY						1	
6		SM5040855SN		SCREW						2	
7		40065563		FACE_COVER_GUIDE_SHAFT						1	
8		40160146		PILE_C						1	
9		40162299		FACE_COVER						1	
10		40160147		CUTTER_BLADE						1	
11		40072395		CUTTER HOLDER						1	
12		A3205555A00		LOCKNUT						1	
13		40070239		FACE_COVER_COLLAR						1	
14		SM8030312TP		SCREW M3 L=3						1	
15		SM5040855SN		SCREW						2	
16		40152349		BH_SOCKET_CAUTION_LABEL						1	
17		40162341		FREE_ARM_UPPER_COVER_ASSY						1	
18		40162367		FREE_ARM_UPPER_COVER				*		1	
19	R	40162342	40162341	FREE_ARM_RUBBER				*		1	1.00
20		SM5040855SN		SCREW						1	
21		SM1030601SN		SCREW M3X0.5 L=6						1	
22		40053685		FREE_ARM_LOWER_COVER						1	
23		SM5040855SN		SCREW						2	
24		SM5040855SN		SCREW						2	
25		40059215		BED_COVER_FOREIGN						1	
26		40057990		RUBBER_WASHER						3	
27		40057922		RUBBER_WASHER_SCREW						3	
28		SM5040855SN		SCREW						1	
29		ST5030851SN		SCREW M3X8						1	
30		40163691		NEEDLE_G_FIX_PLATE						1	
31		ST5031251SF		TAPPING SCREW D=3 L=12						1	
32		40162336		ASSY_AUXILIARY_BED						1	
33	R	40053683	40060614	AUXILIARY_BED				*		1	1.00
34		40162337		AUXILIARY_BED_COVER				*		1	
35		40059209		ACCESSORY_TRAY				*		1	
36		40162339		AUXILIARY_BED_CLICK_SPRING						1	
37		ST5030851SN		SCREW M3X8						1	
38		40166174		HEIGHT_ADJUSTING_SPLING						1	
39		40163692		HEIGHT_ADJUSTING_BRACKET						1	
40		40163693		HEIGHT_ADJUSTING_RUBBER						1	
41		40172321		BED_REINFORCING_PLATE	FOR DX3					1	
42		A1159770000		HEIGHT ADJUSTING SPRING	FOR DX3					2	
43		40057991		HEIGHT_ADJUSTING_RUBBER	FOR DX3					2	
44		SM5040855SN		SCREW	FOR DX3					2	

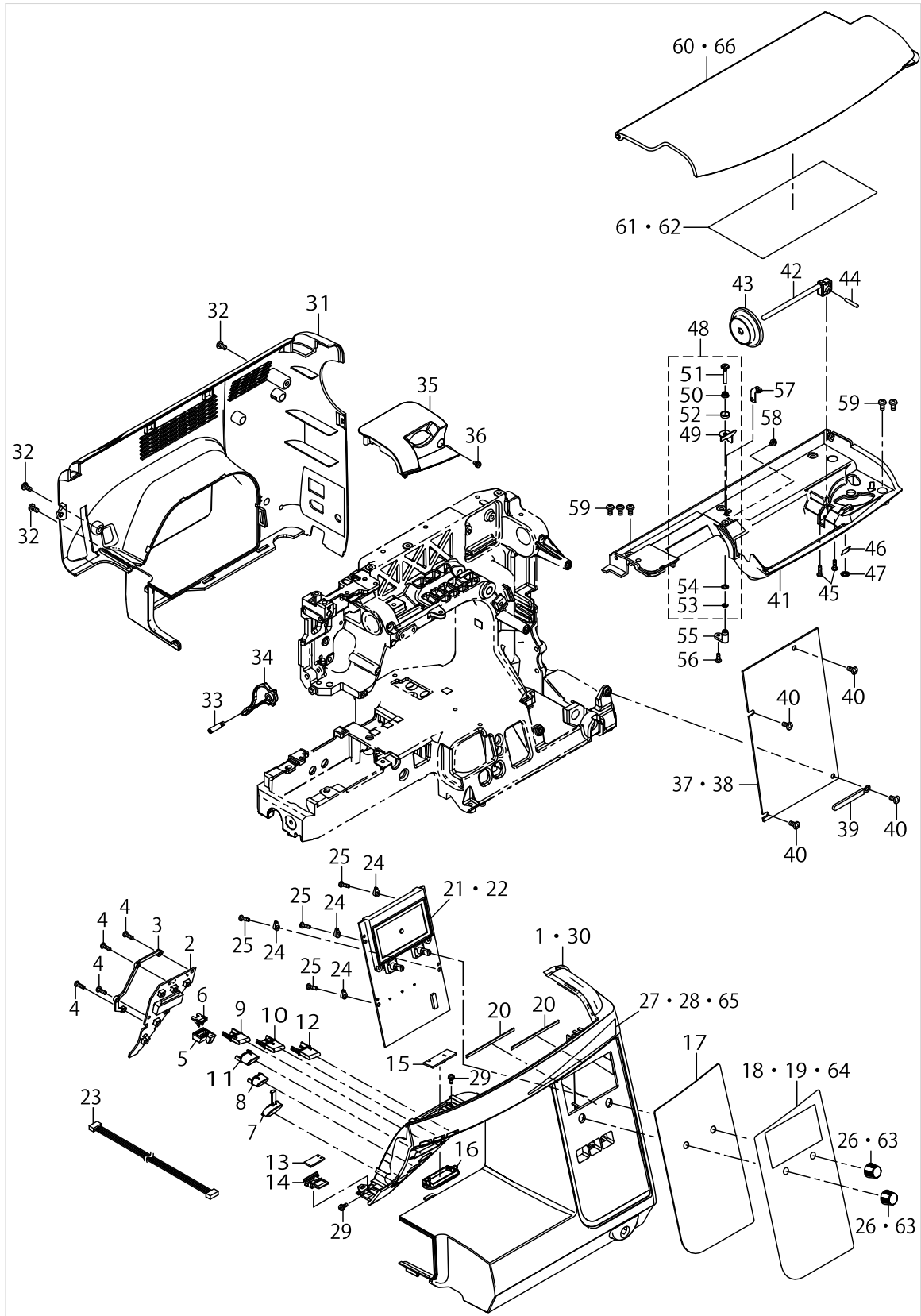
FRAME MISCELLANEOUS COVER COMPONENTS (2)



FRAME MISCELLANEOUS COVER COMPONENTS (2)

No.	Supply Code	Parts No.	Replacement	Parts name	Remarks	Choice	Step	Level	Cons	Qty	Rep. QTY
1		40162294		FRONT_PANEL_F_DX7	FOR DX7,D-X-2000QVP					1	
2		40163152		ASSY_SW/VR,CIRCUIT_BOARD						1	
3		40162324		FRONT_PCB_COLLOR						1	
4		ST5031251SF		TAPPING SCREW D=3 L=12						4	
5		40162317		SLIDE_VR						1	
6		A1146E50000		SLIDE_VR.CONNECT_PART						1	
7		40162305		SS_BUTTON						1	
8		40162308		REVERSE_BUTTON						1	
9		40162314		THREAD_TRIMMER_BUTTON						1	
10		40162315		HALF_STITCH_BUTTON						1	
11		40162311		BALL_END_BUTTON						1	
12		40162316		PRESSER_BUTTON						1	
13		40137570		ASSY_ON_HAND_LED_D_CIRCUIT_BOARD_1						1	
14		40162328		LED_LAMP_COVER_R						1	
15		40135933		ASSY_BOSOM_LED_CIRCUIT_BOARD	FOR DX7,D-X-2000QVP					1	
16		40059168		BOSM_LED_COVER	FOR DX7,D-X-2000QVP					1	
17		40163170		TOUCH_SWITCH_SHEET						1	
18		40162318		PATTERN_P_PLATE_DX7	FOR DX7					1	
19		40162321		PATTERN_P_PLATE_DX5	FOR DX5					1	
20		40091946		LCD_CUSHION						2	
21		40163171		ASSY_PANEL_BOARD_DX7	FOR DX7,D-X-2000QVP					1	
22		40163172		ASSY_PANEL_BOARD_DX5	FOR DX5,DX3					1	
23		40163190		ASSY_CPU-PANEL_I/F_CABLE						1	
24		40162325		PANEL_PCB_COLLOR						4	
25		ST5031051SN		TAPPING SCREW						4	
26		40084595		ADJUSTING_DIAL	FOR DX7					2	
27		40162347		EMBLEM_DX7_F	FOR DX7					1	
28		40162349		EMBLEM_DX5_F	FOR DX5					1	
29		SL4030891SC		SCREW M3 L=8						2	
30		40162295		FRONT_PANEL_F_DX5	FOR DX5					1	
31		40162369		ASSY_REAR_PANEL_FOREIGN						1	
32		SM5040855SN		SCREW						3	
33		40070284		LIFTER_LEVER_SHAFT						1	
34		40055401		LIFTER_LEVER						1	
35		40059245		TT_COVER_FOREIGN						1	
36		SL4030691SC		SCREW M3 L=6						1	
37		40163202		ALL_ASSY_CPU_PCB_DX7	FOR DX7,D-X-2000QVP					1	
38		40163203		ALL_ASSY_CPU_PCB_DX5	FOR DX5					1	
39		A3811550000		CORD HOLDER						2	
40		SM5040855SN		SCREW						4	
41		40059240		SPOOL_COVER						1	
42		40058088		SPOOL_PIN						1	
43		A1145E50000		SPOOL_CAP						1	
44		PH0300182C0		PARALLEL PIN TYPE B 3X18						1	

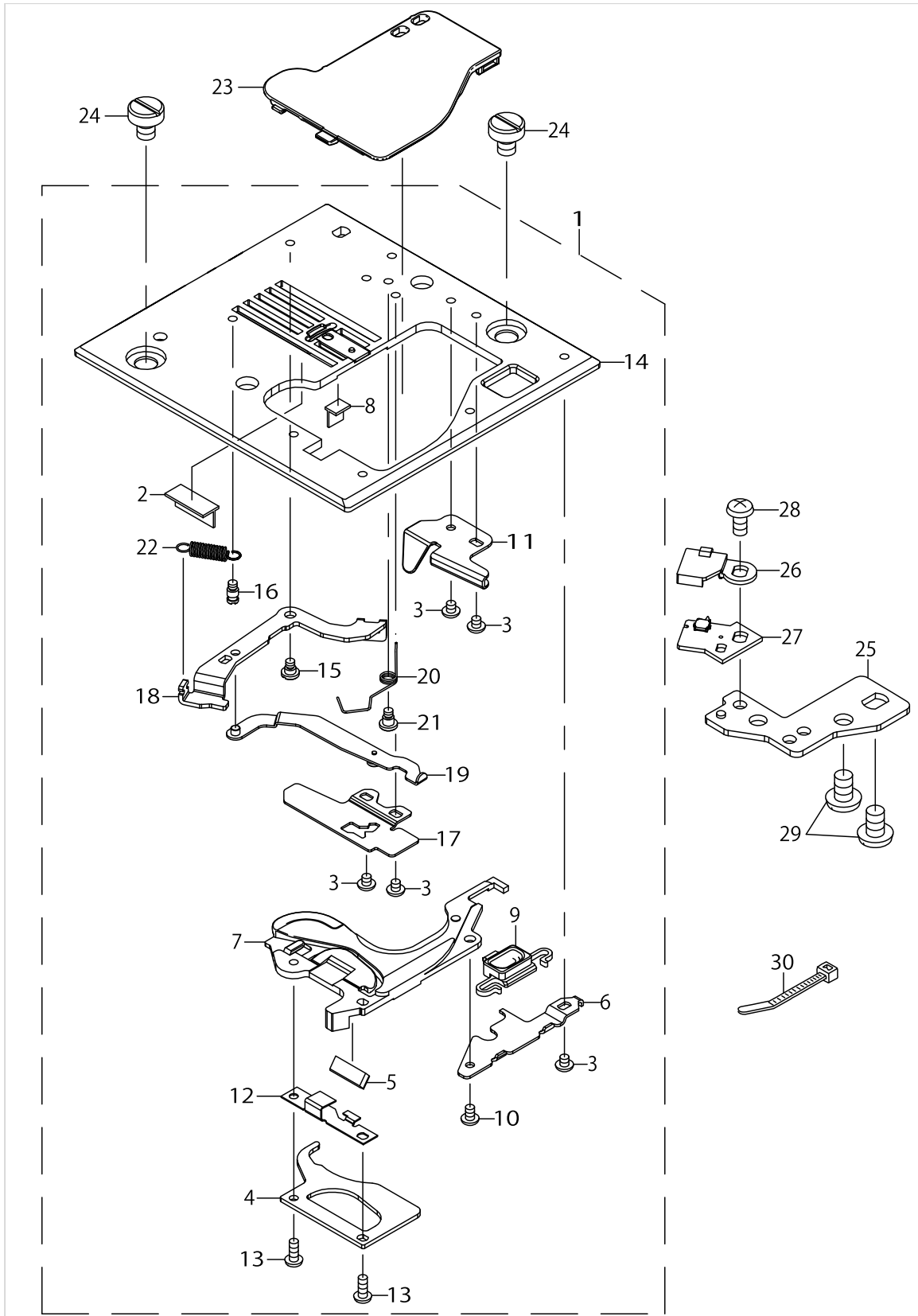
FRAME MISCELLANEOUS COVER COMPONENTS (2)



FRAME MISCELLANEOUS COVER COMPONENTS (2)

No.	Supply Code	Parts No.	Replacement	Parts name	Remarks	Choice	Step	Level	Cons	Qty	Rep. QTY
45		ST5031051SN		TAPPING SCREW							2
46		40160147		CUTTER_BLADE							1
47		A3205555A00		LOCKNUT							1
48		40064572		ASSY_THREAD_GUIDE_BASE							1
49		40062034		THREAD_GUIDE_BASE				*			1
50		A3234550000		THREAD GUIDE BASE SPRING				*			1
51		A3235030Z00A		THREAD GUIDE DISK SHAFT				*			1
52		A3233731000		THREAD GUIDE DISK				*			1
53		A3236880000		E RING				*			1
54		A3237880000		WASHER				*			1
55		A1139030Z00		THREAD GUIDE MOUNTING PLATE							1
56		ST5031051SN		TAPPING SCREW							1
57		40057397		BW_THREAD_GUIDE							1
58		SL4030691SC		SCREW M3 L=6							1
59		SM5040855SN		SCREW							5
60		40059244		ARM_COVER_MATERIAL	FOR DX5,DX7,DX3						1
61		40162363		PATTERN_SEAL_DX7_F	FOR DX7,D-X-2000QVP						1
62		40162365		PATTERN_SEAL_DX5_F	FOR DX5						1
63		40107462		ADJUSTING_DIAL_F550J	FOR DX-2000QVP						2
64		40166868		PATTERN_P_PLATE_DX2000QVP	FOR DX-2000QVP						1
65		40166752		EMBLEM_DX2000QVP	FOR DX-2000QVP						1
66		40166304		ARM_COVER_DX2000QVP	FOR DX-2000QVP						1
67		40176891		FRONT_PANEL_DX3	FOR DX3						1
68		40176893		PATTERN_PANEL_DX3	FOR DX3						1
69		40176895		EMBLEM_DX3	FOR DX3						1
70		40176897		PATTERN_SEAL_DX3	FOR DX3						1
71		40176901		ALL_ASSY_CPU_PCB_DX3	FOR DX3						1

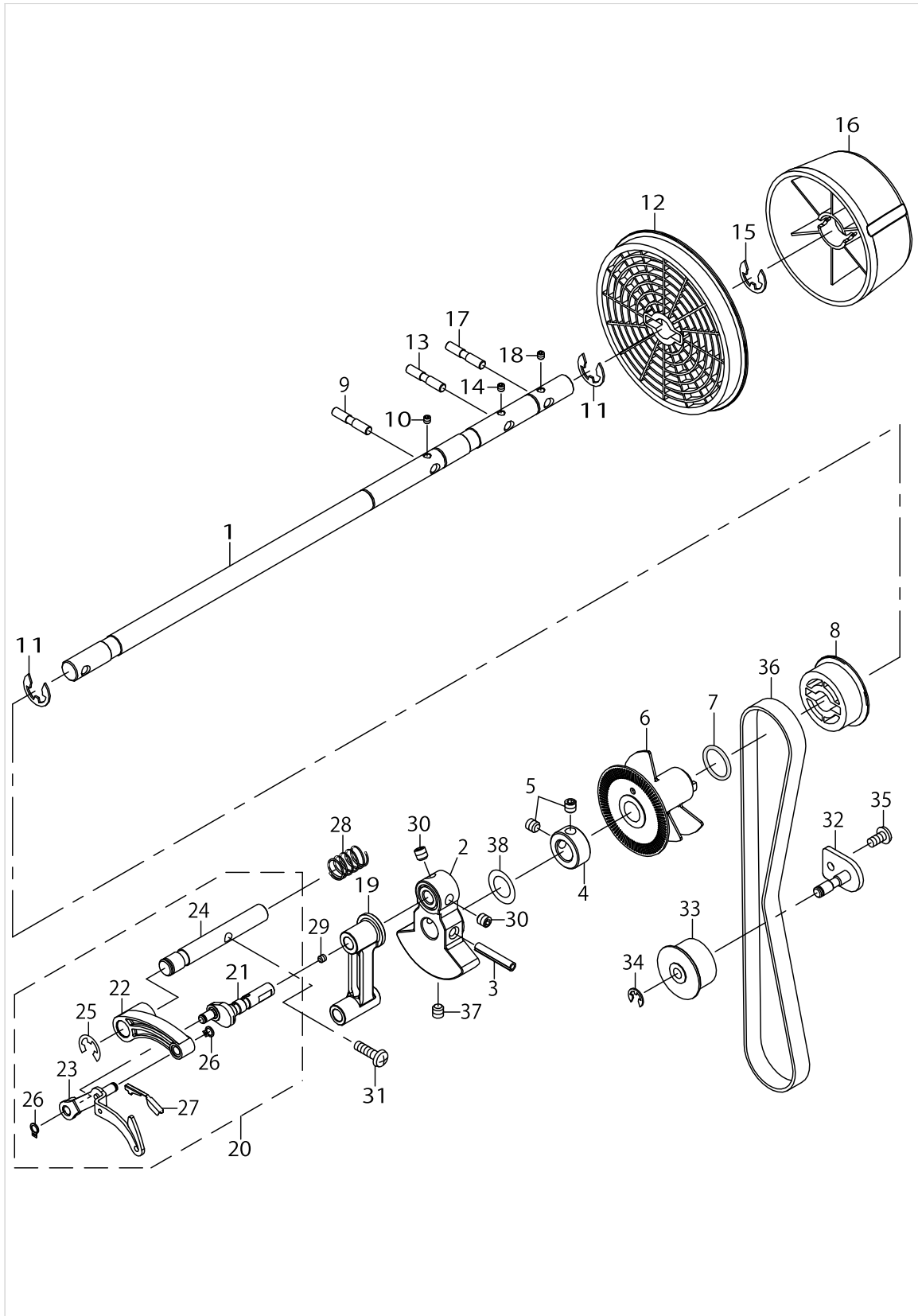
THROAT PLATE COMPONENTS



THROAT PLATE COMPONENTS

No.	Supply Code	Parts No.	Replacement	Parts name	Remarks	Choice	Step	Level	Cons	Qty	Rep. QTY
1		40163698		ASSY_THROAT_PLATE						1	
2		40160146		PILE_C				*		1	
3		SM4020201SC		SCREW M2 L=2				*		5	
4		40057150		STOPPING_PLATE_LEFT				*		1	
5		40160147		CUTTER_BLADE				*		1	
6		A1119010000		HOOK COVER BUTTON SUPPORT				*		1	
7		40162912		BOBBIN CASE COVER				*		1	
8		40160143		PILE_A				*		1	
9		A1114010000A		HOOK COVER OPEN/CLOSE BUTTON				*		1	
10		SM4020301SC		SCREW M2X0.4 L=3				*		1	
11		40065631		HOOK_COVER_SUPPORT_PLATE				*		1	
12		A1111A85000		SPRING				*		1	
13		SM5020501SC		SCREW M2 L=5				*		2	
14		40171601		THROAT_PLATE_ASSY				*		1	
15		40163758		SHIFT_ARM_SCREW				*		1	
16		40163759		SPRING_STUD				*		1	
17		40171604		LEVER HOLDER				*		1	
18		40171605		SHIFT_ARM				*		1	
19		40163751		LEVER_ASSY				*		1	
20		40164580		LEVER_SPRING				*		1	
21		40164579		LEVER_SPRING_SCREW				*		1	
22		40163756		SHIFT_ARM_SPRING				*		1	
23		WP0260116RZ		WASHER 2.6X4.7X0.13				*		1	
24		A1138335000		THROAT PLATE SETSCREW						2	
25		40163885		SWITCH_BASE						1	
26	R	40163886	40179631	SWITCH_COVER						1	1.00
27		40163183		ASSY_SLIDE_PLATE-SENSOR_CIRCUIT_BOARD						1	
28		SM5030655SN		SCREW M3 L=6						1	
29		SM5040655SN		SCREW						2	
30		40166324		BAND_SMALL						1	
31		40163748		HOOK_COVER						1	

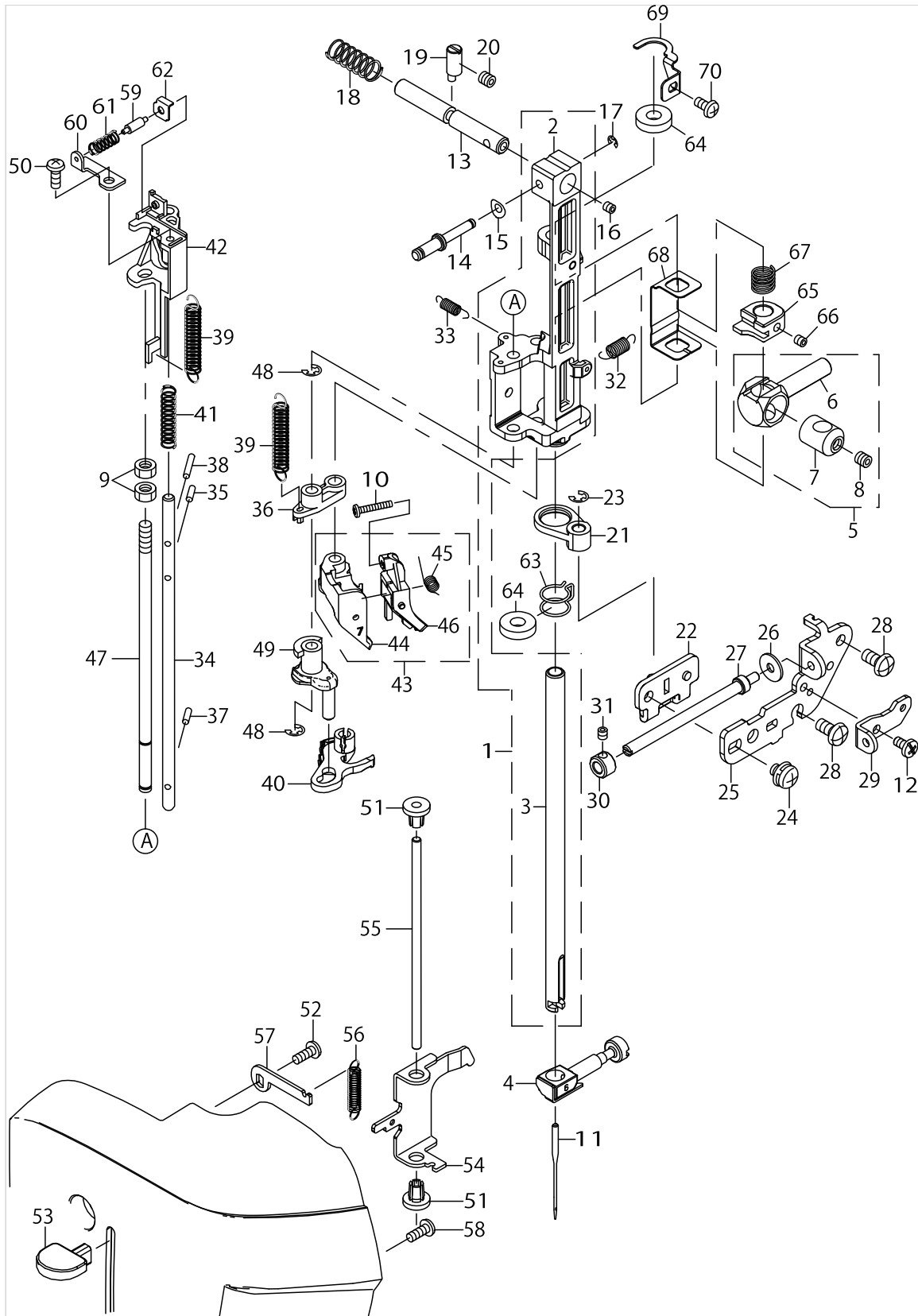
UPPER SHAFT & TAKE UP COMPONENTS



UPPER SHAFT & TAKE UP COMPONENTS

No.	Supply Code	Parts No.	Replacement	Parts name	Remarks	Choice	Step	Level	Cons	Qty	Rep. QTY
1		40107901		UPPER_SHAFT						1	
2		40163619		COUNTER_WEIGHT						1	
3	R	PS0400222KP	PS0400222K0	SPRING PIN TYPE W 4X22						1	1.00
4		CS1000881TP		THRUST COLLAR D=10 W=8						1	
5		SM8050512TP		SCREW						2	
6		40053493		DETECTOR_SHIELD_PLATE						1	
7		RO133170100		O-RING						1	
8		40055825		UPPER_SHAFT_PULLEY						1	
9		40053469		MOTOR_PULLEY_PIN						1	
10		SM8030312TP		SCREW M3 L=3						1	
11		RE0800000K0		E-SHAPED SNAP RING (8MM)						2	
12		40057983		MOTOR_PULLEY						1	
13		40053469		MOTOR_PULLEY_PIN						1	
14		SM8030312TP		SCREW M3 L=3						1	
15		RE0800000K0		E-SHAPED SNAP RING (8MM)						1	
16		40053486		HAND_WHEEL						1	
17		40053469		MOTOR_PULLEY_PIN						1	
18		SM8030312TP		SCREW M3 L=3						1	
19	R	40163906	40053487	NEEDLE_BAR_CRANK_ROD						1	1.00
20		40057187		TAKE_UP_ASSY						1	
21		40057188		NEEDLE_BAR_CRANK				*		1	
22		40057189		TAKE_UP_CRANK				*		1	
23		40057190		TAKE_UP_BODY_ASSY				*		1	
24		40164903		TAKE_UP_SUPPORT_SHAFT				*		1	
25		RE0600000K0		E-RING 6				*		1	
26		RC0370411KP		C-RING 4 (3.7)				*		2	
27	R	40062518	40057187	TAKE_UP_CLICK				*		1	1.00
28		40057355		SUPPORT_SHAFT_SPRING						1	
29		SM8030312TP		SCREW M3 L=3						1	
30		SM8050512TP		SCREW						2	
31		SM5041455SN		SCREW						1	
32		40053479		IDLER_BRACKET_ASSY						1	
33		40056861		IDLER						1	
34		RE0400000K0		E-RING 4						1	
35		SM5040855SN		SCREW						1	
36		40057384		TIMING_BELT						1	
37		SM8050512TP		SCREW						1	
38		A1223010000		SPRING WASHER						1	

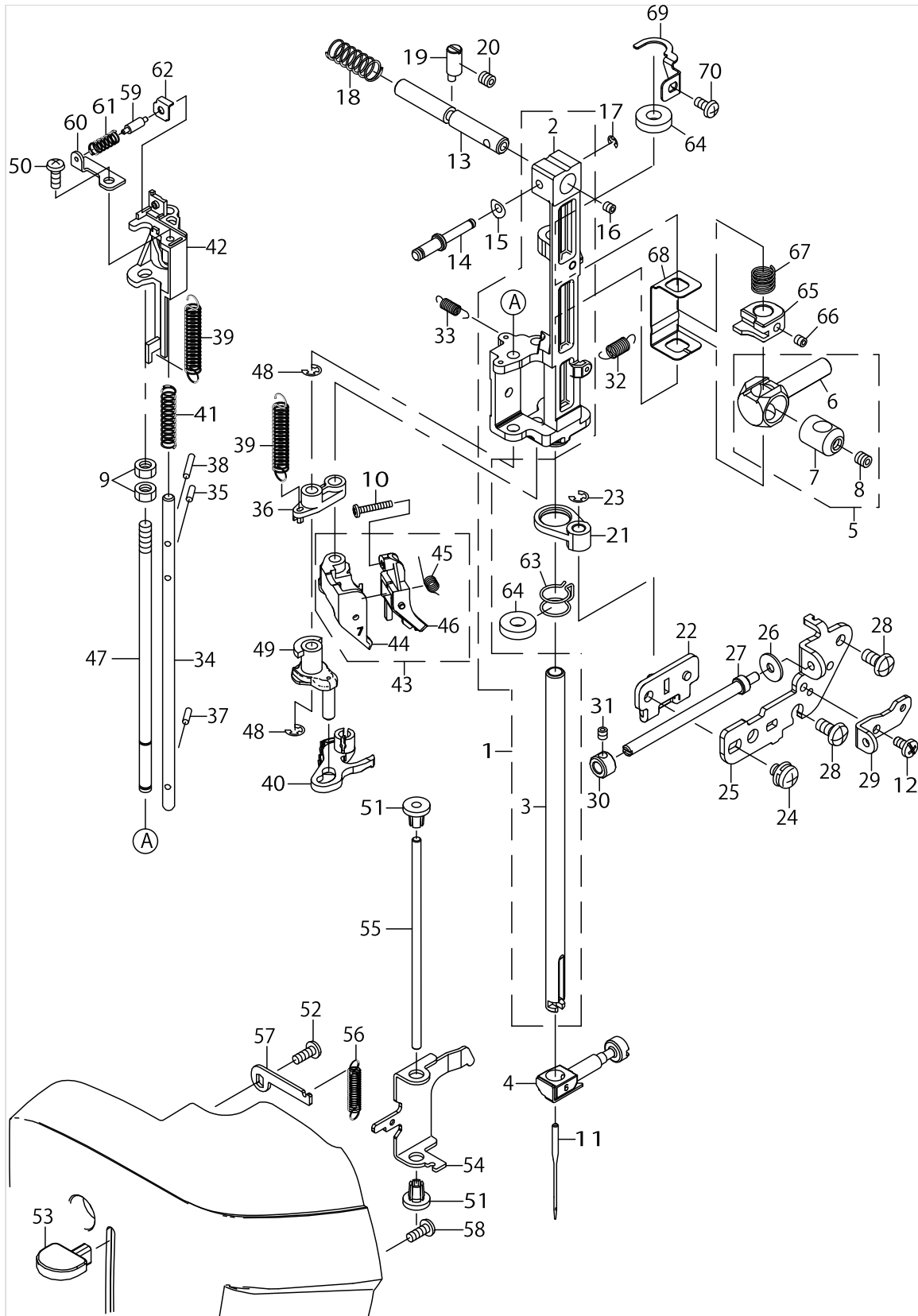
NEEDLE BAR & NEEDLE THREADER COMPONENTS



NEEDLE BAR & NEEDLE THREADER COMPONENTS

No.	Supply Code	Parts No.	Replacement	Parts name	Remarks	Choice	Step	Level	Cons	Qty	Rep. QTY
1		40164851		ASSY_NEEDLE_BAR_FRAME						1	
2		40163764		NEEDLE_BAR_FRAME_X				*		1	
3	R	40164853	40164851	ASSY_NEEDLE_BER				*		1	1.00
4		40121860		ASSY_NEEDLE_CLAMP_F						1	
5		40163699		ASSY_NEEDLE_BAR_CONNECTION						1	
6		40163760		NEEDLE_BAR_CONNECTION				*		1	
7		40163761		NEEDLE_BAR_CONNECTION_INSIDE				*		1	
8		SM8040412TP		SCREW M4X4				*		1	
9		NM6040002SF		NUT M4X0.7 TYPE2						2	
10		SM5020855SN		SCREW M2 L=8						1	
11		MHA100B1400		NEEDLE HAX1 #14						1	
12		SM5030655SN		SCREW						2	
13		40053497		NEEDLE_BAR_FRAME_SHAFT						1	
14		40053498		NB_FRAME_FULCRUM_SHAFT						1	
15		WZ0320290UZ		BEND WASHER 3.2X6.5X0.15						1	
16		SM8030312TP		SCREW M3 L=3						1	
17		RE0200000K0		E-RING 2						1	
18		40056970		NB_FRAME_SHAFT_SPRING						1	
19		A1427010000A		NB FRAME ADJUST SHAFT						1	
20		SM8040412TP		SCREW M4X4						1	
21		40053516		NB_FRAME_CONTROL_ARM						1	
22		40053517		NB_LATERAL_ADJUST_PLATE_ASSY						1	
23		RE0300000K0		E-RING 3						1	
24		SL4040691SC		SCREW M4 L=6						1	
25		40162326		FACE_PLATE_FIXING_PLATE						1	
26		WP0330816SF		WASHER 3.25X10X0.8						1	
27		40062407		FACE_COVER_SHAFT						1	
28		SM5040855SN		SCREW						2	
29		40162327		FRONT_PANEL_FIXING_PLATE						1	
30		40161206		SPEED_SHAFT_COLLAR						1	
31		SM8030312TP		SCREW M3 L=3						1	
32		40056945		NEEDLE_BAR_FRAME_SPRING						1	
33		40160743		NEEDLE_BAR_FRAME_SPRING_L						1	
34		40098262		TP_SHAFT						1	
35		A1458A85000		TP SHAFT PIN SMALL						1	
36		40108612		LINK_BASE						1	
37		A1458A85000		TP SHAFT PIN SMALL						1	
38		40055811		TP_SHAFT_PIN_L						1	
39		40055812		TP_CAM_SPRING						2	
40		40055813		TP_HOOK HOLDER_ASSY						1	
41		40055827		TP_SHAFT_SPRING						1	
42		40098264		TP_CAM						1	
43		40108609		ASSY_ASSIST_HOOK						1	
44	R	40108610	40108609	ASSIST_HOOK				*		1	1.00
45		40055828		CLIP_SPRING				*		1	
46	R	40051255	40108609	TENSION_CLIP				*		1	1.00

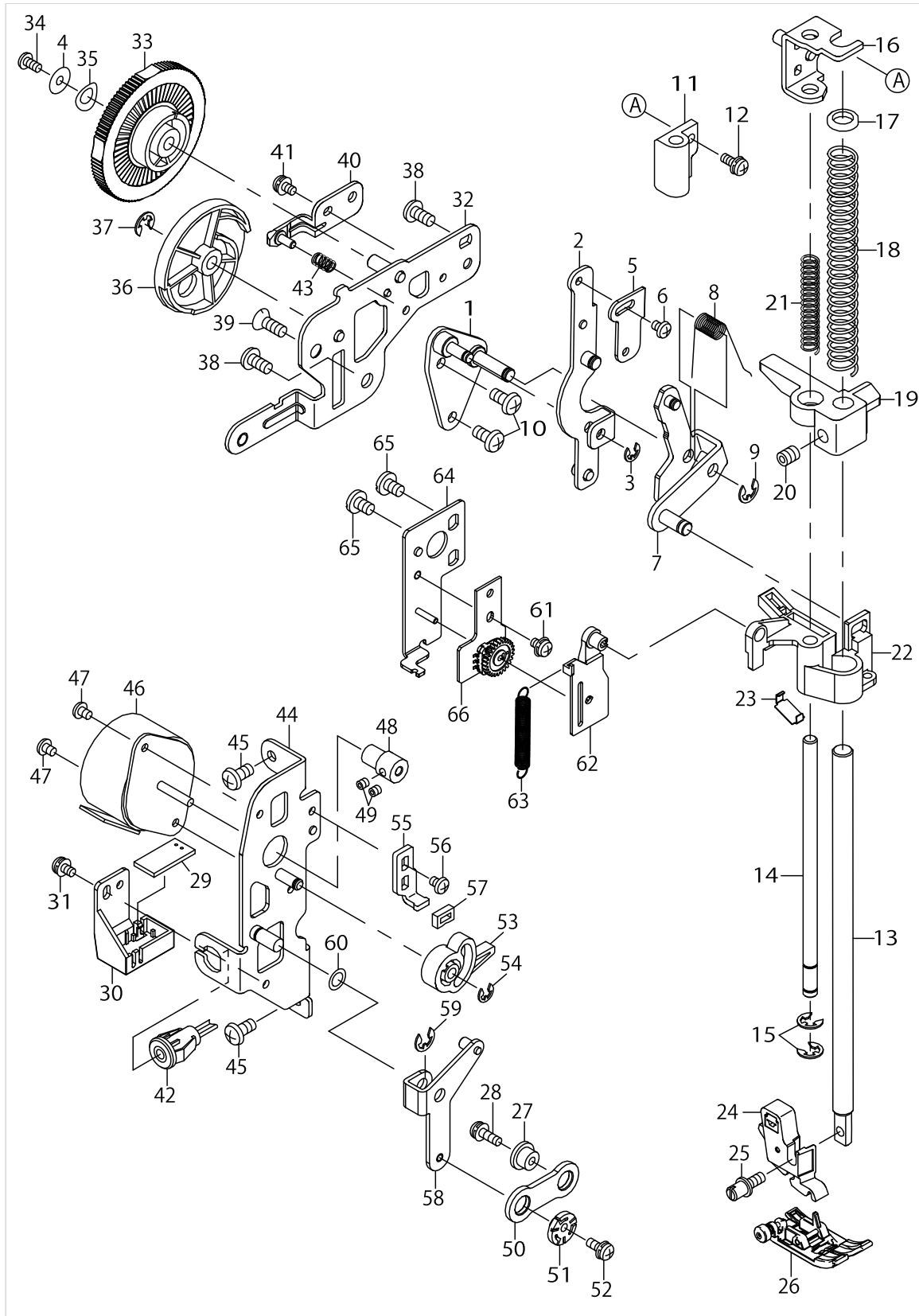
NEEDLE BAR & NEEDLE THREADER COMPONENTS



NEEDLE BAR & NEEDLE THREADER COMPONENTS

No.	Supply Code	Parts No.	Replacement	Parts name	Remarks	Choice	Step	Level	Cons	Qty	Rep. QTY
47		40098263		GUIDE_SHAFT						1	
48		RE0300000K0		E-RING 3						2	
49		40108611		DRIVING_GEAR						1	
50		ST5030851SN		SCREW M3X8						1	
51		40079178		TP_LEVER_BUSH						2	
52		ST5030851SN		SCREW M3X8						1	
53		40055821		TP_HANDLE						1	
54		40098265		TP_LEVER						1	
55		40055822		TP_LEVER_SHAFT						1	
56		40055823		TP_LEVER_SPRING						1	
57		40055824		TP_LEVER_SUPPORT						1	
58		ST5030851SN		SCREW M3X8						1	
59		40098266		TP_CLICK_SHAFT						1	
60		40098267		TP_CLICK_BASE						1	
61		40098268		TP_CLICK_SPRING						1	
62		40098269		TP_CLICK_PLATE						1	
63		40163779		FELT_GUIDE_L						1	
64		A1448010000		FELT						2	
65		40055819		TP_NEEDLE_BAR_GUIDE						1	
66		SM8030312TP		SCREW M3 L=3						1	
67		40163762		NB_CONNECTION_SPRING						1	
68		40163763		CONNECTION_GUIDE						1	
69		40163778		FELT_GUIDE_U						1	
70		SM5030655SN		SCREW M3X0.5 L=6						1	

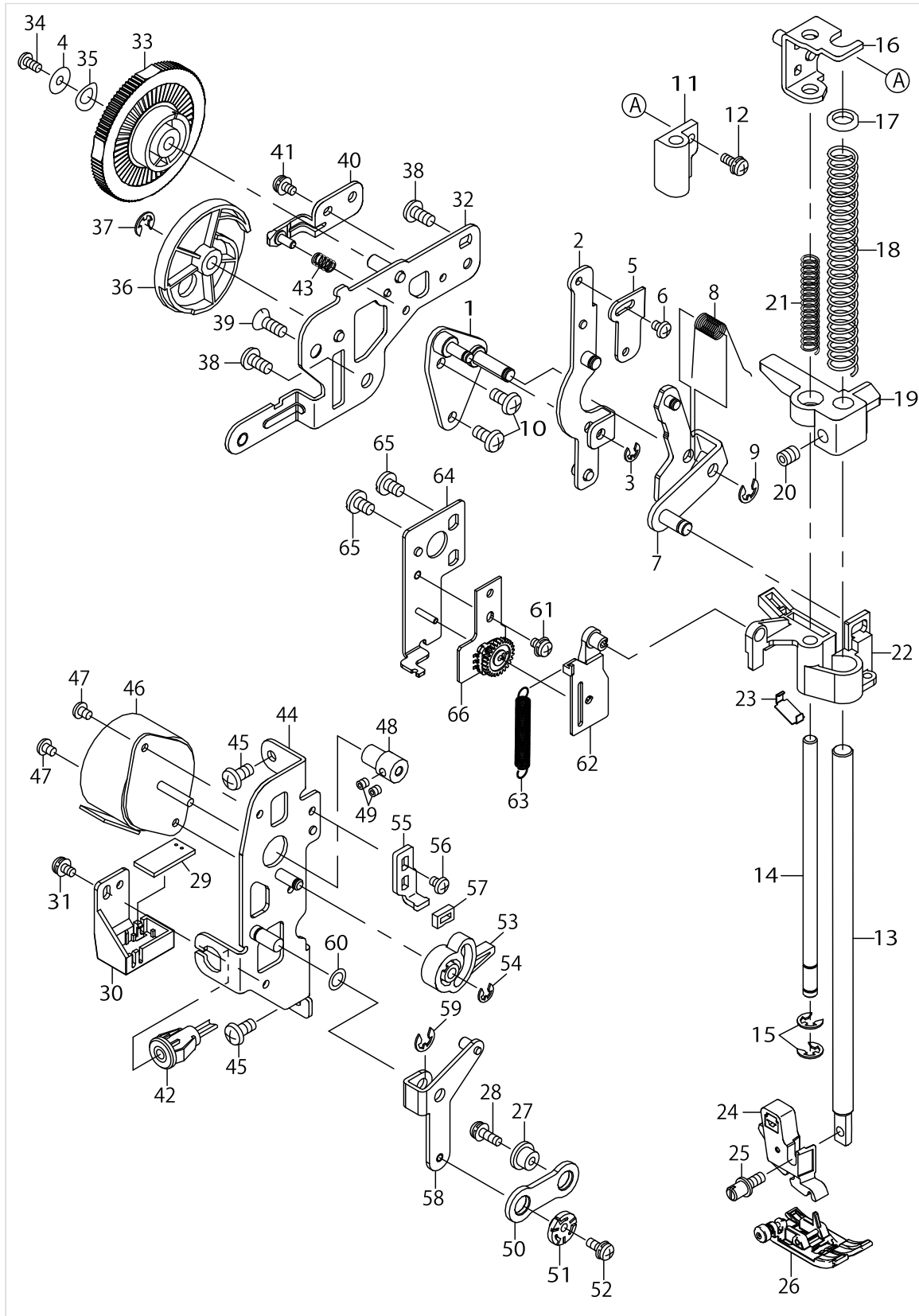
PRESSER MECHANISM & NEEDLE THROWING COMPONENTS



PRESSER MECHANISM & NEEDLE THROWING COMPONENTS

No.	Supply Code	Parts No.	Replacement	Parts name	Remarks	Choice	Step	Level	Cons	Qty	Rep. QTY
1		40055391		TENSION_RELEASE_BASE_ASSY						1	
2		40055387		TENSION_RELEASE_PLATE_ASSY						1	
3		RE0300000K0		E-RING 3						1	
4		WP0330816SF		WASHER 3.25X10X0.8						1	
5		40163784		TR_ADJUST_PLATE	FOR DX7,D-X5,DX-2000QVP					1	
6		SM5030455SF		SCREW M3 L=4						1	
7		40163785		KNEE_LIFTER_PLATE_ASSY	FOR DX7,D-X5,DX-2000QVP					1	
8		40163787		KNEE_LIFTER_PLATE_SPRING	FOR DX7,D-X5,DX-2000QVP					1	
9		RE0400000K0		E-RING 4						1	
10		SM5040855SN		SCREW						2	
11		40076391		SUB_SPRING HOLDER						1	
12		SL4030891SC		SCREW M3 L=8						1	
13		40055402		PRESSER_BAR						1	
14		40055403		PF_GUIDE_BAR						1	
15		RE0400000K0		E-RING 4						2	
16		40055409		PRESSER_ADJUST_PLATE_ASSY						1	
17		40055404		PRESSER_SPRING HOLDER						1	
18		40055405		PRESSER_SPRING						1	
19		40055406		PRESSER_BAR_GUIDE						1	
20		SM8050602TP		SCREW M5 L=6						1	
21		40055412		PRESSER_SUB_SPRING						1	
22		40163788		PRESSER_BLOCK	FOR DX7,D-X5,DX-2000QVP					1	
23		40064224		PRESSER_BLOCK_PLATE						1	
24		40056529		ASSY_PRESSER_FOOT HOLDER						1	
25		40064703		PF HOLDER_SCREW						1	
26		40057923		ASSY_STANDARD_PRESSER_FOOT						1	
27		40062144		ROCKING_ROD_BUSH						1	
28		SL4031091SC		SCREW M3 L=10						1	
29		40163192		ASSY_ON_HAND_LED_CIRCUIT_BOARD_DX						1	
30		40162329		LED_LAMP_COVER_L						1	
31		SL4030691SC		SCREW M3 L=6						1	
32		40055426		PRESSER_ADJUST_BASE_ASSY						1	
33		40060527		PRESSER_ADJUST_DIAL						1	
34		SM5030655SN		SCREW M3X0.5 L=6						1	
35		A2110700000		SPRING WASHER						1	
36		40055433		PRESSER_ADJUST_GEAR						1	
37		RE0400000K0		E-RING 4						1	
38		SM5040855SN		SCREW						2	
39		SM1040801SN		SCREW M4X0.7 L=8						1	
40		40079605		PRESSER_DIAL_CLICK						1	
41		SL4030691SC		SCREW M3 L=6						1	
42		40163191		ASSY_BH_RELAY_DX						1	
43		40079606		PRESSER_DIAL_CLICK_SPRING						1	
44		40163780		NT_STM_BASE_ASSY						1	

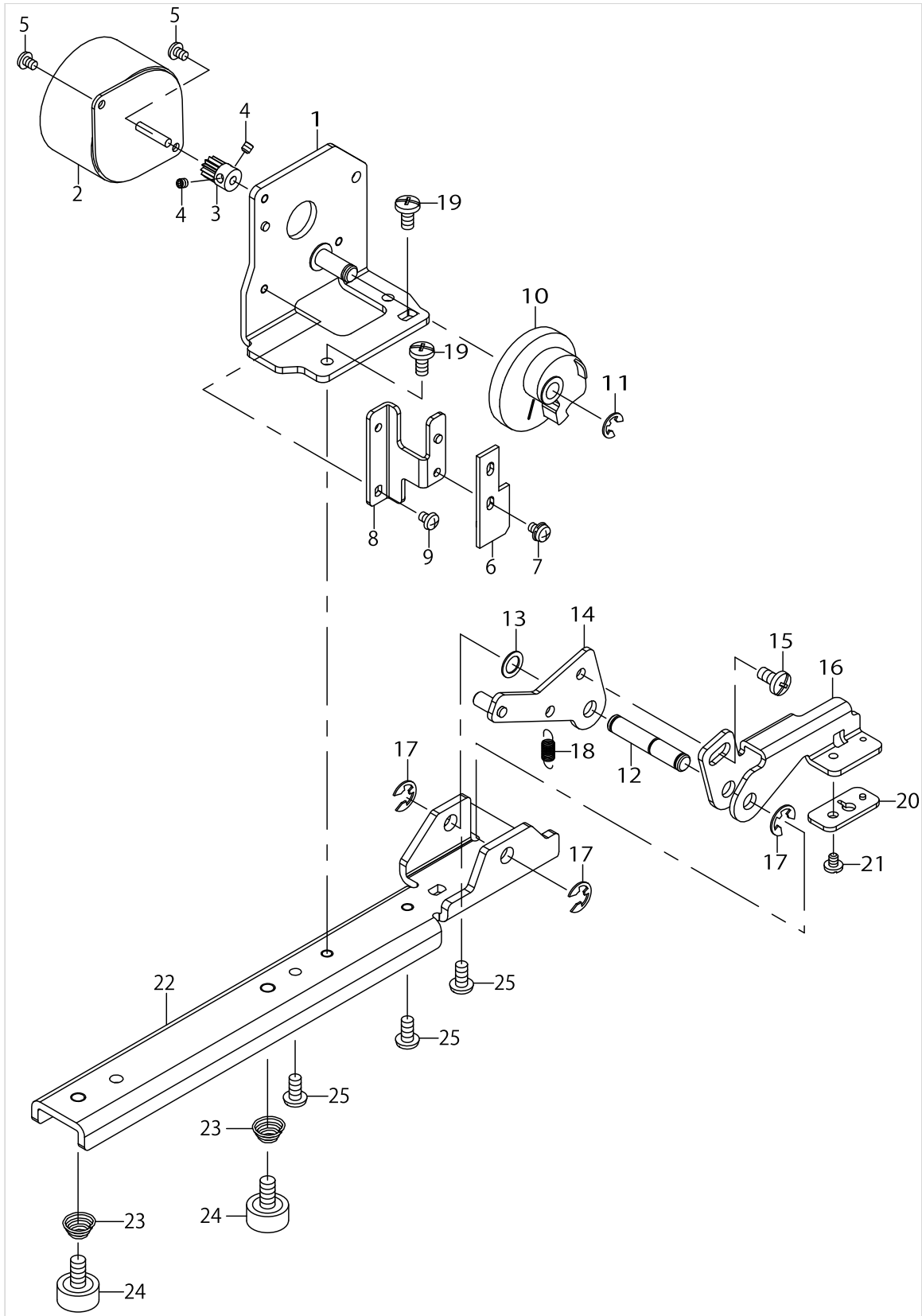
PRESSER MECHANISM & NEEDLE THROWING COMPONENTS



PRESSER MECHANISM & NEEDLE THROWING COMPONENTS

No.	Supply Code	Parts No.	Replacement	Parts name	Remarks	Choice	Step	Level	Cons	Qty	Rep. QTY
45		SM5040855SN		SCREW						2	
46		40163131		ASSY_NT_STM						1	
47		SM5030455SF		SCREW M3 L=4						2	
48		40070288		NT_STM_GEAR						1	
49		SM8030312TP		SCREW M3 L=3						2	
50		40053499		ROCKING_ROD						1	
51		A1456008000A		LEAN CENTER SHAFT						1	
52		SL4030891SC		SCREW M3 L=8						1	
53		40053505		NEEDLE_THROWING_GEAR						1	
54		RE0400000K0		E-RING 4						1	
55		40055676		NT_STM_STOPPER						1	
56		SM5030655SN		SCREW M3X0.5 L=6						1	
57		A1646010000		RETRIEVAL RUBBER						1	
58		40163782		NEEDLE_THROWING_ARM_ASSY						1	
59		RE0400000K0		E-RING 4						1	
60		WP0520516RZ		WASHER 5.2X8X0.5						1	
61		SL5030531SF		SCREW	FOR DX7,D-X5,DX-2000QVP					2	
62		40163790		SENSOR_RACK	FOR DX7,D-X5,DX-2000QVP					1	
63		40055812		TP_CAM_SPRING	FOR DX7,D-X5,DX-2000QVP					1	
64		40163792		P_BAR_POSITION_S_BR_ASSY	FOR DX7,D-X5,DX-2000QVP					1	
65		SM5040655SN		SCREW	FOR DX7,D-X5,DX-2000QVP					2	
66		40163159		ASSY_TP_STM_POSITION_CIRCUIT_BOARD	FOR DX7,D-X5,DX-2000QVP					1	
67		40055395		TR_ADJUST_PLATE	FOR DX3					1	
68		40055557		KNEE_LIFTER_PLATE_ASSY	FOR DX3					1	
69		40056969		KNEE_LIFTER_PLATE_SPRING	FOR DX3					1	
70		40055408		PRESSER_LEVER_SPRING	FOR DX3					1	
71		40061618		PRESSER_BLOCK	FOR DX3					1	
72		WP0520516RZ		WASHER 5.2X8X0.5	FOR DX3					1	

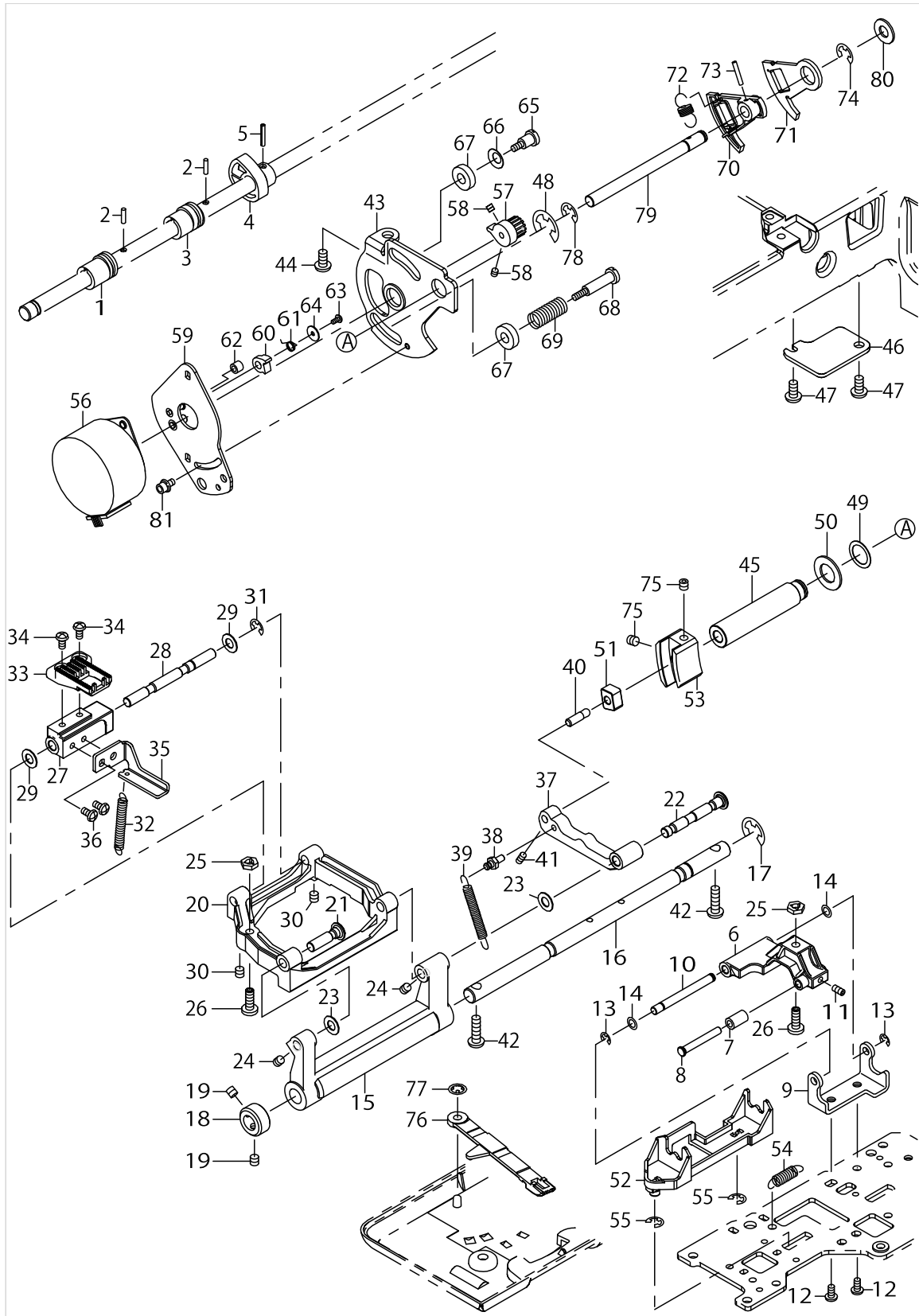
HAND LIFTER COMPONENTS



HAND LIFTER COMPONENTS

No.	Supply Code	Parts No.	Replacement	Parts name	Remarks	Choice	Step	Level	Cons	Qty	Rep. QTY
1		40163871		P_LIFT_STM_BASE_ASSY						1	
2		40163133		ASSY_TP_STM						1	
3		40067261		TT_STM_GEAR						1	
4		SM8030312TP		SCREW M3 L=3						2	
5		SM5030455SF		SCREW M3 L=4						2	
6		40163198		ASSY_TP_STM_ORG_- CIRCUIT_BOARD						1	
7		SL5030531SF		SCREW M3 L=5						1	
8		40170866		P_F_SENSOR_BRACKET						1	
9		SM5030455SF		SCREW M3 L=4						1	
10		40170867		P_LIFT_CAM_GEAR						1	
11		RE0400000K0		E-RING 4						1	
12		40170868		CAM_LEVER_SHAFT						1	
13		WP0611016RZ		WASHER 6.1X11X1						1	
14		40163877		CAM_LEVER_ASSY						1	
15		SM5040855SN		SCREW						1	
16		40163880		CAM_LEVER_ARM						1	
17		RE0500000K0		E-RING						3	
18		40163881		CAM_LEVER_SPRING						1	
19		SM5040655SN		SCREW						2	
20		40163882		WIRE_STOPPER						1	
21		SM5030455SF		SCREW M3 L=4						1	
22		40163883		BED_REINFORCING_PLATE						1	
23		A1159770000		HEIGHT_ADJUSTING_SPRING						2	
24		40057991		HEIGHT_ADJUSTING_RUBBER						2	
25		SM5040855SN		SCREW						3	

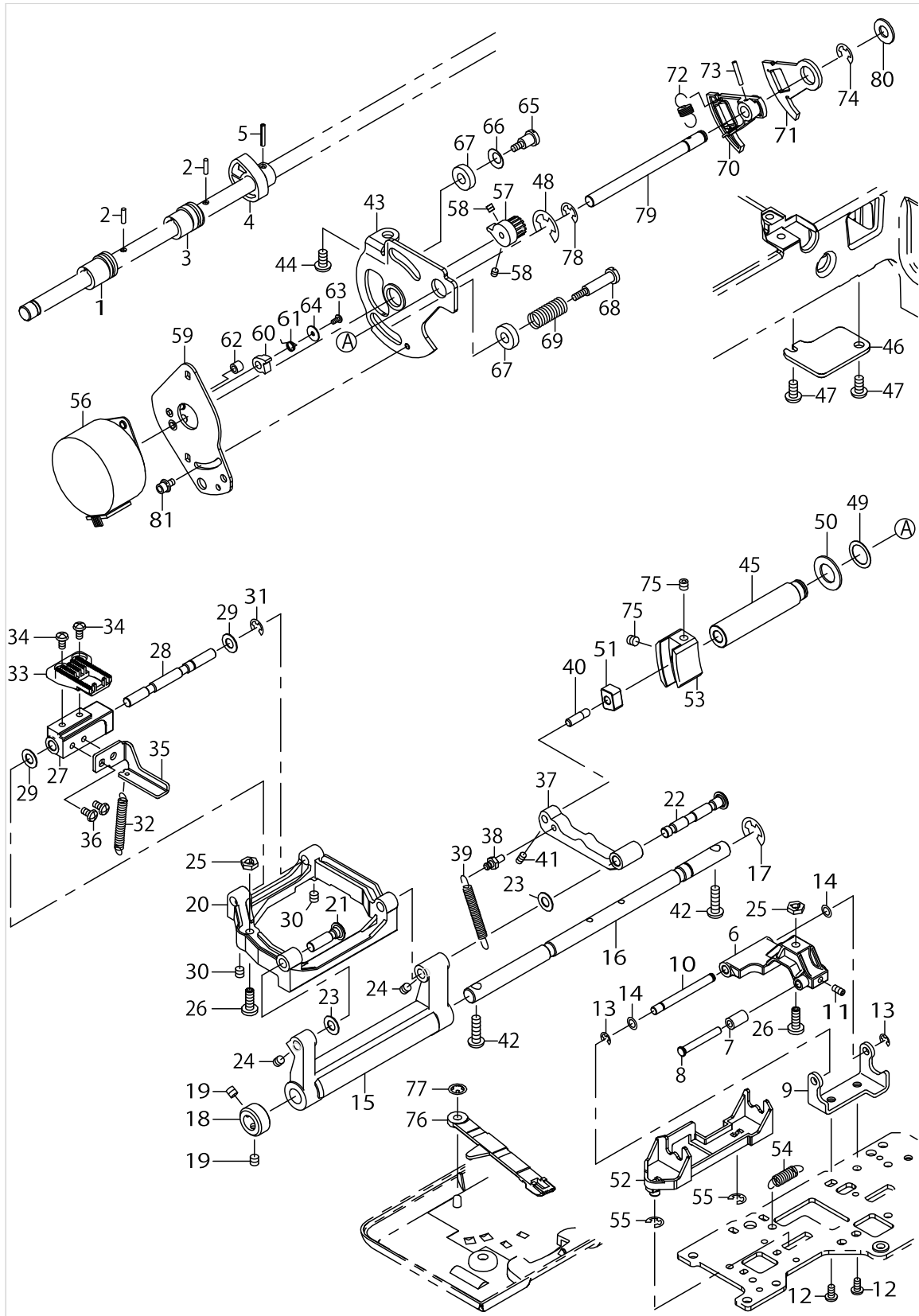
FEED MECHANISM COMPONENTS



FEED MECHANISM COMPONENTS

No.	Supply Code	Parts No.	Replacement	Parts name	Remarks	Choice	Step	Level	Cons	Qty	Rep. QTY
1		4005549		VERTICAL FEED CAM						1	
2		PS0200082KP		SPRING PIN TYPE W 2X8						2	
3		40055499		VF ASSIST CAM						1	
4		40055504		HORIZONTAL FEED CAM						1	
5		PS0200122KP		SPRING PIN TYPE W 2X12						1	
6		40071970		CORRECTION ARM						1	
7		40071971		CORRECTION ROLLER						1	
8		40071972		CORRECTION ROLLER SHAFT						1	
9		40071973		CORRECTION ARM BASE						1	
10		40107914		CORRECTION ARM SHAFT						1	
11		SM8030612TP		SET SCREW						1	
12		SM5030655SN		SCREW M3X0.5 L=6						2	
13		RE0300000K0		E-RING 3						2	
14	R	WP0410516RZ	WP0410846SC	WASHER						2	1.00
15		40055505		HF ROCKER ARM						1	
16		40107915		HF ROCKER ARM SHAFT						1	
17		RE0700000K0		E-RING 7						1	
18		A1203030000		THRUST COLLAR						1	
19		SM8040412TP		SET SCREW M4 L=4						2	
20		40055513		FEED BAR						1	
21		40107916		FEED BAR SHAFT L						1	
22		40055507		FEED BAR SHAFT R						1	
23		WP0520516RZ		WASHER						2	
24		SM8040412TP		SET SCREW M4 L=4						2	
25		174804008000		NUT						2	
26		40107917		VF ADJUST SHAFT						2	
27		40055502		ASSIST FEED BAR						1	
28		40107918		ASSIST FEED BAR SHAFT						1	
29		WP0520516RZ		WASHER						2	
30		SM8040412TP		SET SCREW M4 L=4						2	
31		RE0400000K0		E-RING 4						1	
32		40055501		FEED BAR SPRING						1	
33		40107919		FEED DOG						1	
34		SM5030655SN		SCREW M3X0.5 L=6						2	
35		40071969		CORRECTION PLATE						1	
36		SM5030655SN		SCREW M3X0.5 L=6						2	
37		40060607		HORIZONTAL FEED ARM						1	
38		40056010		HF ARM SPRING PIN						1	
39		40055517		HORIZONTAL FEED ARM SPRING						1	
40		A1624010000		SLIDE BLOCK SHAFT						1	
41		SM8030612TP		SET SCREW						1	
42		SM5041455SN		SCREW						2	
43		40107921		FEED STM FIXING PLATE						1	
44		SM5040855SN		SCREW						1	
45		40055520		FEED REGULATOR BUSHING						1	
46		40055519		FR BUSHING CLAMP PLATE						1	

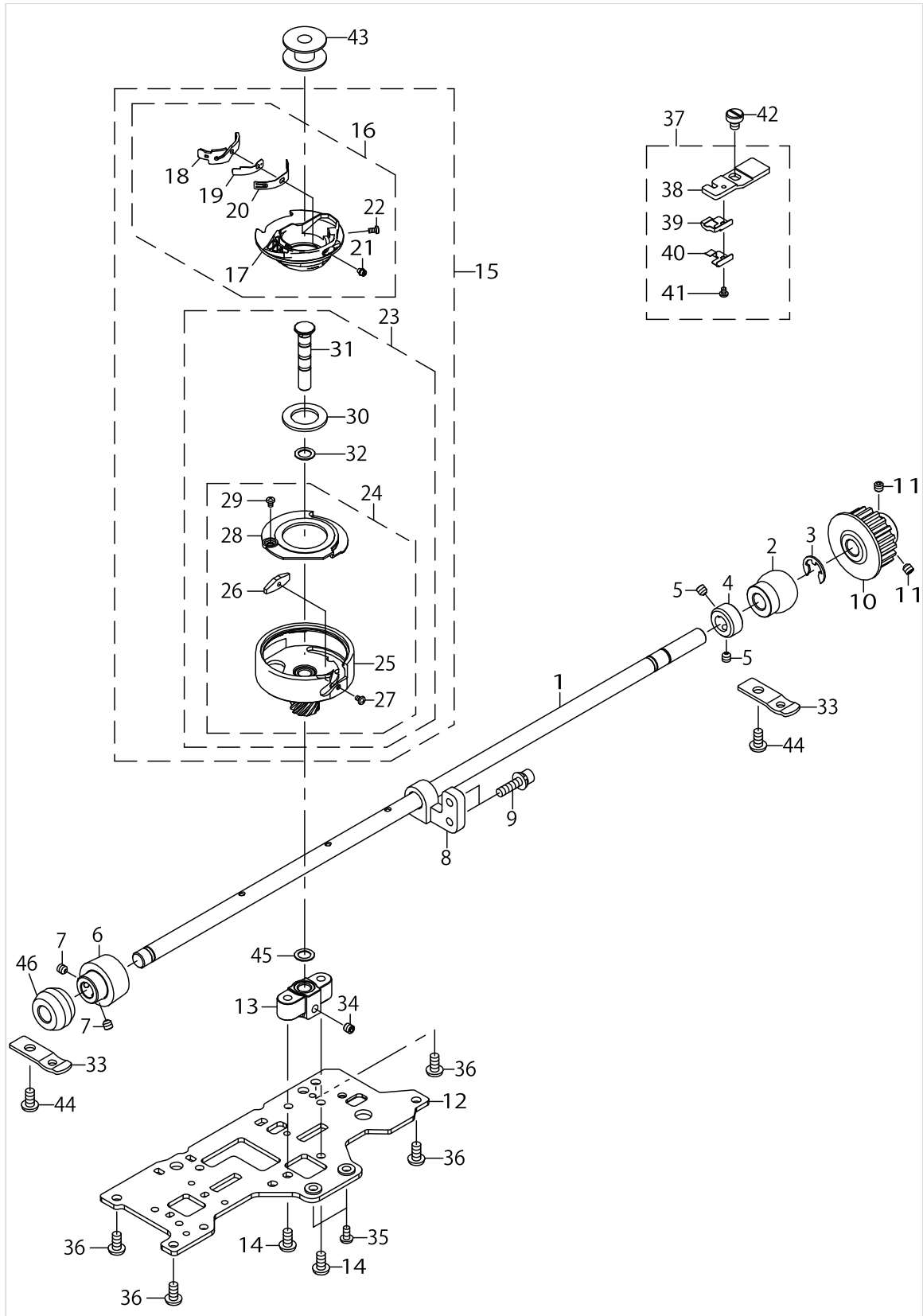
FEED MECHANISM COMPONENTS



FEED MECHANISM COMPONENTS

No.	Supply Code	Parts No.	Replacement	Parts name	Remarks	Choice	Step	Level	Cons	Qty	Rep. QTY
47		SM5040855		SCREW						2	
48		RE080000K0		E-SHAPED SNAP RING (8MM)						1	
49		WZ1052010KP		WAVED WASHER						1	
50		WP1021016SD		WASHER						1	
51		40055524		FEED REGULATOR BLOCK						1	
52		40057335		DF WORKING BODY						1	
53		40055522		FEED REGULATOR						1	
54		40066691		DF RETURN SPRING						1	
55		RE400000K0		E-RING 4						2	
56		40056558		ASSY FD STM						1	
57		40055530		FEED STM GEAR						1	
58		SM8030312TP		SCREW M3 L=3						2	
59		40107924		FEED ADJUSTING PLATE ASSY						1	
60		40055531		FEED STOPPER LEVER						1	
61		40055532		FEED STOPPER SPRING						1	
62		40055533		ORIGIN DETECTING RUBBER						1	
63		SM4020401SC		SCREW M2 L=4						1	
64		WP0210516SD		PLAIN WASHER 2.1X8X0.5						1	
65		A1650008000A		STAGE SCREW A						1	
66		A2110700000		SPRING WASHER						1	
67		40055539		FEED STM WASHER						2	
68		A1651008000		STAGE SCREW A						1	
69		A1658008000		SPRING						1	
70		40055526		FEED REGULATOR GEAR A						1	
71		40055527		FEED REGULATOR GEAR B						1	
72		40055528		FR GEAR SPRING						1	
73		PS0200122KP		SPRING PIN TYPE W 2X12						1	
74		RE050000K0		E-RING						1	
75		SM8040412TP		SET SCREW M4 L=4						2	
76		40057334		DF LEVER						1	
77		A3205555A00		LOCKNUT						1	
78		RE050000K0		E-RING						1	
79		40055521		FEED_REGULATOR_SHAFT						1	
80		WP0621016SD		WASHER 6.2X13X1						1	
81		SL6030692TN		SCREW M3 L=6						1	

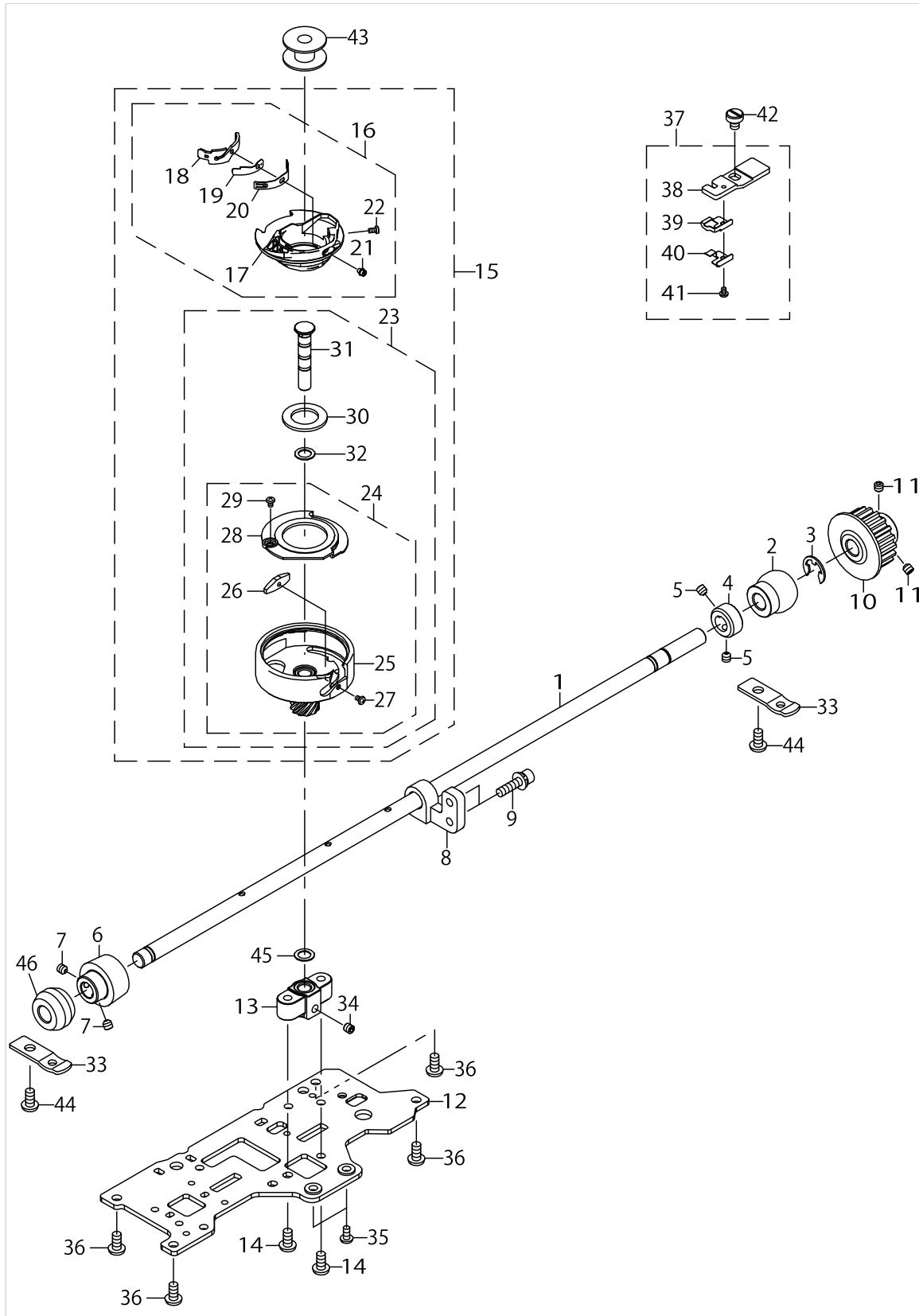
LOWER SHAFT & HOOK COMPONENTS



LOWER SHAFT & HOOK COMPONENTS

No.	Supply Code	Parts No.	Replacement	Parts name	Remarks	Choice	Step	Level	Cons	Qty	Rep. QTY
1		40107929		LOWER_SHAFT						1	
2		A1810E60000		LOWER SHAFT WELT BEARING						1	
3		RE0700000K0		E-RING 7						1	
4		A1203030000		THRUST COLLAR						1	
5		SM8040412TP		SCREW M4X4						2	
6		40099886		HOOK_DRIVING_GEAR						1	
7		SM8040412TP		SCREW M4X4						2	
8		40053495		LOWER_SHAFT_SUPPORT						1	
9		SL6041692TN		SCREW M4 L=16						2	
10		40055826		LOWER_SHAFT_PULLEY						1	
11		SM8040412TP		SCREW M4X4						2	
12		40164220		HOOK_BRACKET						1	
13		40053456		HOOK_DRIVING_SHAFT_BASE						1	
14		SM5040855SN		SCREW						2	
15		40081293		ALL_ASSY_HOOK						1	
16		40080420		BOBBIN_CASE_PROCESSING				*		1	
17	R	40058626	40080420	BOBBIN_CASE_MATERIAL				*		1	1.00
18		40060608		BOBBIN_CASE_THREAD_GUIDE				*		1	
19		A1840009000		LOWER THREAD ADJUSTING SPRING A				*		1	
20		A1841S56000		LOWER THREAD ADJUSTING SPRING B				*		1	
21		A1843030000		LOWER THREAD ADJUSTING SCREW				*		1	
22		A1844030000		BOBBIN CASE THREADED GUIDE SCREW				*		1	
23		A1830E800C0		HOOK ASM.				*		1	
24		A1830E800B0		HOOK ASM.				*		1	
25	R	A18300310A0	A1830T750D0A	HOOK ASM.		A		*	HZL-TSeries	1	1.00
25	R	A18300310A0	A1830E800C0	HOOK ASM.		B		*	HZL-Tシリーズ以外/Except HZL-TSeries	1	1.00
26		A1832008000		HOOK NEEDLE GUARD				*		1	
27		SM5020301SC		SCREW M2 L=3				*		1	
28		A1831031000		HOOK BASE PLATE				*		1	
29		SM5020301SC		SCREW M2 L=3				*		1	
30		A1833E50000		FELIGHT MAGNET				*		1	
31		A18090310A0		HOOK SHAFT (ASM.)				*		1	
32		WP0620516RZ		WASHER 6.2X9.5X0.5				*		1	
33		021112002000		LOWER SHAFT WELT BEARING PLATE						2	
34		SM8040412TP		SCREW M4X4						1	
35		SM5030655SN		SCREW M3X0.5 L=6						2	
36		SM5040855SN		SCREW						4	
37		40064997		ASSY_BOBBIN_CASE_STOPPER						1	
38		40053454		BOBBIN_CASE_STOPPER_PLATE				*		1	
39		40056975		BOBBIN_CASE_STOPPER_SPRING				*		1	
40		40056976		STOPPER_SPRING_SUPPORT				*		1	
41		SM5020301SC		SCREW M2 L=3				*		1	
42		A1138335000		THROAT PLATE SETSCREW						1	

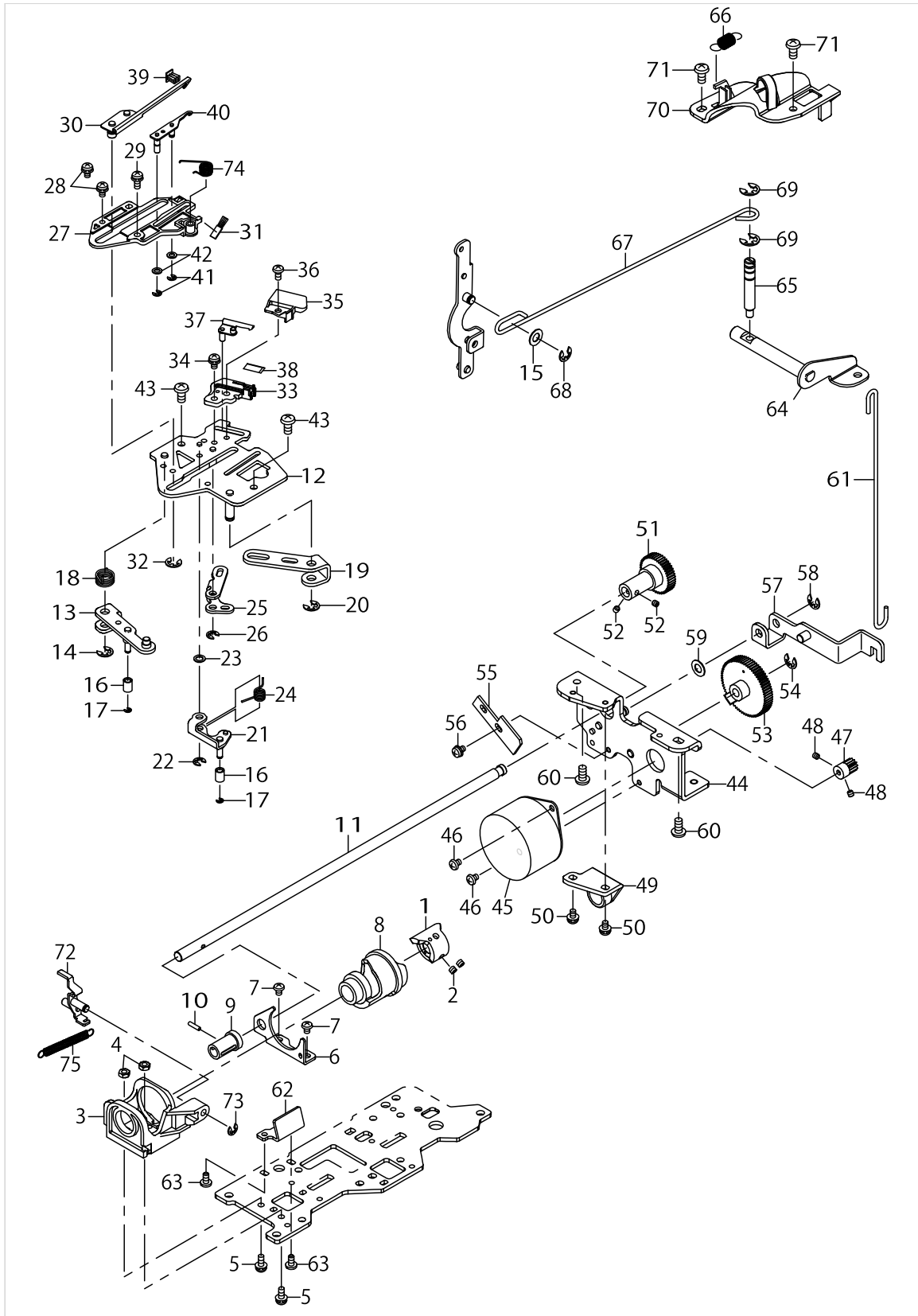
LOWER SHAFT & HOOK COMPONENTS



LOWER SHAFT & HOOK COMPONENTS

No.	Supply Code	Parts No.	Replacement	Parts name	Remarks	Choice	Step	Level	Cons	Qty	Rep. QTY
43		001141000000		BOBBIN						1	
44		SM5040855SN		SCREW						2	
45		WP0620516RZ		WASHER 6.2X9.5X0.5						1	
46		041207008000		LOWER SHAFT WELT BEARING						1	

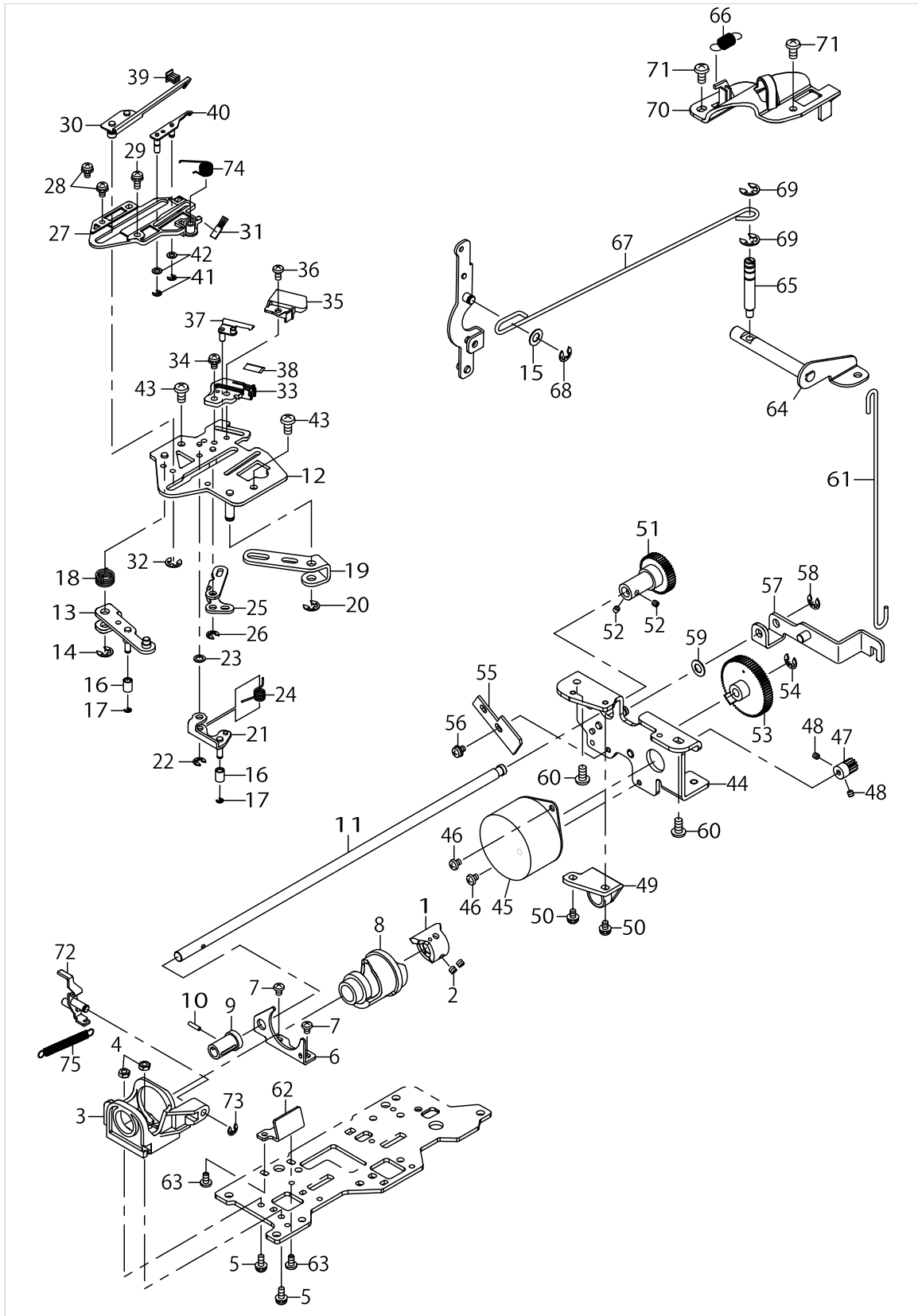
THREAD TRIMMER COMPONENTS



THREAD TRIMMER COMPONENTS

No.	Supply Code	Parts No.	Replacement	Parts name	Remarks	Choice	Step	Level	Cons	Qty	Rep. QTY
1	R	40136001	40172306	THREAD_TRIMMER_CAM						1	1.00
2		SM8030312TP		SCREW M3 L=3						2	
3		40065718		DRIVING_CAM_HOLDER						1	
4		NM6030002SF		NUT M3						2	
5		SL4030891SC		SCREW M3 L=8						2	
6		40053581		DRIVING_CAM_BRACKET_R						1	
7		SM5030455SF		SCREW M3 L=4						2	
8		40136004		CATCHER_DRIVING_CAM						1	
9		40053586		CAM_DRIVING_GEAR_L						1	
10		PS0200082KP		SPRING PIN TYPE W 2X8						1	
11		40053587		CAM_DRIVING_SHAFT						1	
12		40136005		TT_MECHANISM_BASE_ASSY						1	
13	R	40053598	40182529	CATCHER_WORKING_LINK_ASSY						1	1.00
14		RE0400000K0		E-RING 4						1	
15	R	WP0410516RZ	WP0410846SC	WASHER						1	1.00
16		40053602		LINK_SHAFT_ROLLER						2	
17		RE0150000K0		SNAP RING 1.5						2	
18		40053610		CATCHER_WORKING_LINK_SPRING						1	
19		40053603		CATCHER_LINK						1	
20		RE0400000K0		E-RING 4						1	
21	R	40053612	40182531	TT_DRIVING_LINK_ASSY						1	1.00
22		RE0300000K0		E-RING 3						1	
23	R	WP0410516RZ	WP0410846SC	WASHER						1	1.00
24		40053611		TT_DRIVING_LINK_SPRING						1	
25		40053616		THREAD_TRIMMER_LINK						1	
26		RE0300000K0		E-RING 3						1	
27		40136007		THREAD_CATCH_GUIDE						1	
28		SL4030691SC		SCREW M3 L=6						2	
29		SL4030891SC		SCREW M3 L=8						1	
30		40053604		CATCHER_ASSY						1	
31		40160192		BRUSH_A						1	
32		RE0400000K0		E-RING 4						1	
33		40136008		TT_CUTTER_BASE						1	
34		SL4030691SC		SCREW M3 L=6						1	
35		40136009		TT_CUTTER_COVER						1	
36		SM5030655SN		SCREW M3X0.5 L=6						1	
37		40135998		TT_CATCHER_ASSY						1	
38		40160147		CUTTER_BLADE						1	
39		40160145		PILE_B						1	
40		40078681		UT_HOOK_ASSY						1	
41		RE0200000K0		E-RING 2						2	
42		WP0310516RZ		WASHER 3.1X5.4X0.5						2	
43		SM5040855SN		SCREW						2	
44		40163795		THREAD_TRIMMER-STM_BASE_ASSY						1	
45		40163132		ASSY_TT_STM						1	
46		SM5030455SF		SCREW M3 L=4						2	

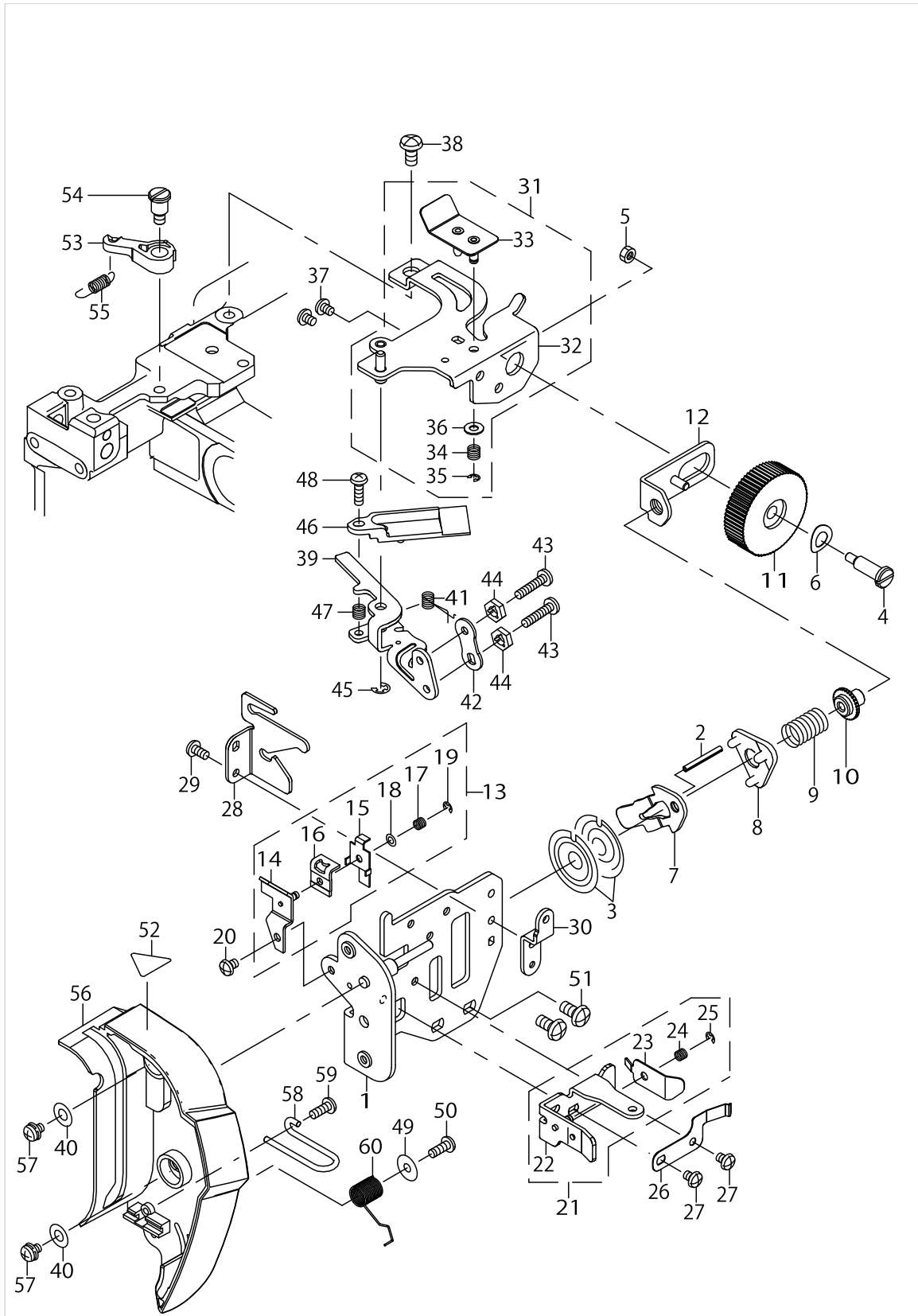
THREAD TRIMMER COMPONENTS



THREAD TRIMMER COMPONENTS

No.	Supply Code	Parts No.	Replacement	Parts name	Remarks	Choice	Step	Level	Cons	Qty	Rep. QTY
47		40067261		TT_STM_GEAR						1	
48		SM8030312TP		SCREW M3 L=3						2	
49		40067671		CAM_DRIVING_GEAR_R_HOLDER						1	
50		SL4030691SC		SCREW M3 L=6						2	
51		40053585		CAM_DRIVING_GEAR_R						1	
52		SM8030312TP		SCREW M3 L=3						2	
53		40053584		INTERMEDIATE_GEAR						1	
54		RE0400000K0		E-RING 4						1	
55		40163195		ASSY_TT_STM_ORG_- CIRCUIT_BOARD						1	
56		SL5030531SF		SCREW M3 L=5						1	
57		40053641		TR_PLATE_LOWER_ASSY						1	
58		RE0400000K0		E-RING 4						1	
59		WP0520516RZ		WASHER 5.2X8X0.5						1	
60		SM5040855SN		SCREW						2	
61		40163797		TR_LINK_LOWER						1	
62		40145842		CAM_DRIVING_SHAFT_SUPPORT						1	
63		SM5030655SN		SCREW M3X0.5 L=6						2	
64		40053637		TR_LINK_PLATE_ASSY						1	
65		40053632		TR_CONNECT_SHAFT						1	
66		40053636		TENSION_RELEASE_SPRING						1	
67		40053628		TR_LINK_UPPER						1	
68		RE0400000K0		E-RING 4						1	
69		RE0500000K0		E-RING						2	
70		40055796		WIRE_GUIDE_A						1	
71		SM5040855SN		SCREW						2	
72		40078686		UT_HOOK_LEVER_ASSY						1	
73		RE0300000K0		E-RING 3						1	
74		40078685		UT_HOOK_SPRING						1	
75		40078690		UT_HOOK_LEVER_SPRING						1	

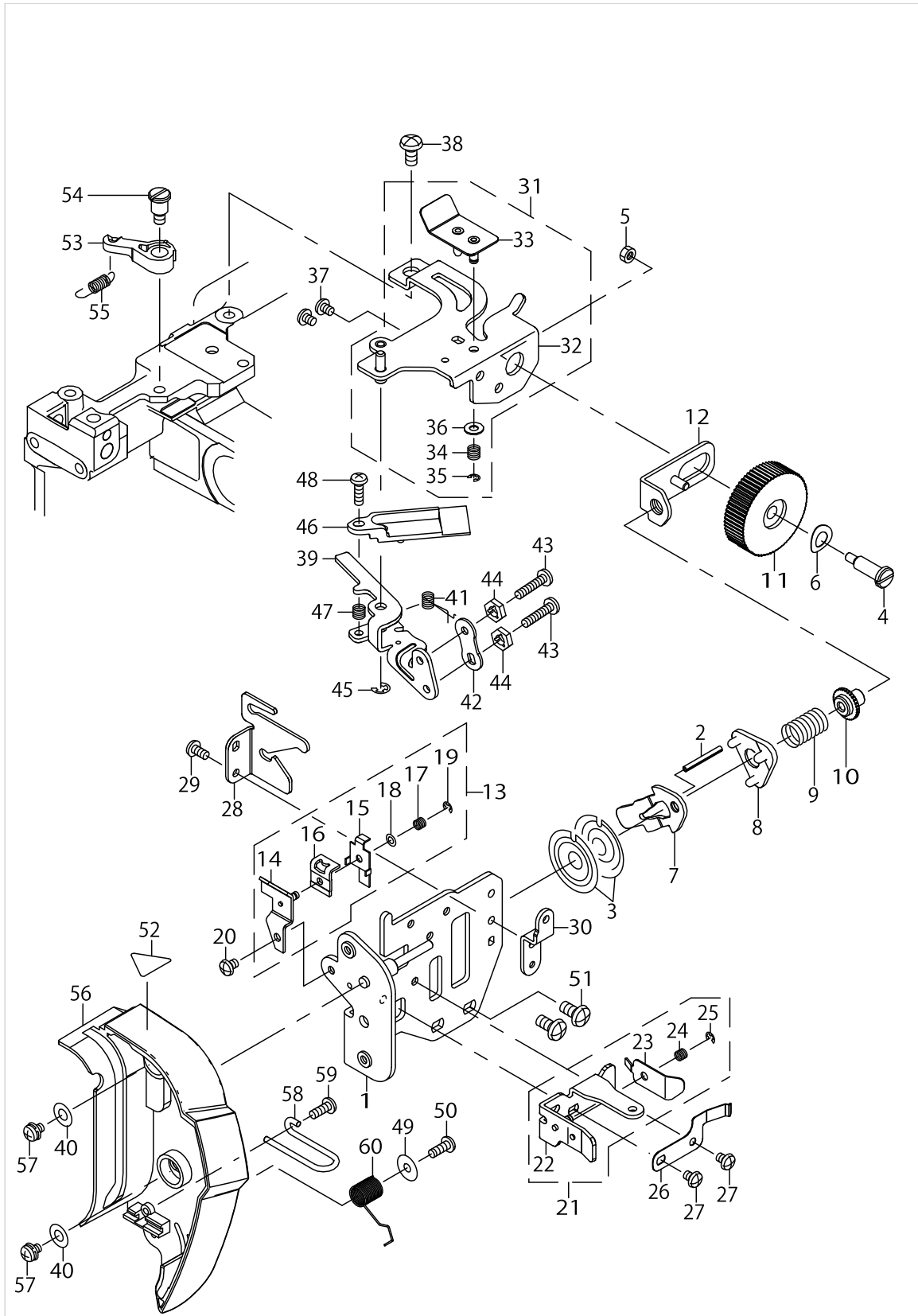
THREAD TENSION COMPONENTS



THREAD TENSION COMPONENTS

No.	Supply Code	Parts No.	Replacement	Parts name	Remarks	Choice	Step	Level	Cons	Qty	Rep. QTY
1		40053520		FACE_PLATE_ASSY						1	
2		PS0200182KP		SPRING PIN TYPE W 2X18						1	
3		A3910634000B		TENSION DISC						2	
4		40066124		TT_DIAL_SHAFT						1	
5		NM6030002SF		NUT M3						1	
6		A2110700000		SPRING WASHER						1	
7		40053525		DISC_RELEASE_PLATE						1	
8		40055371		DISC HOLDER						1	
9		40112878		THREAD_TENSION_SPRING						1	
10		40053526		THREAD_TENSION_ADJUST_NUT						1	
11		40161989		TT_DIAL_FOREIGN						1	
12		40053532		THREAD_TENSION_ADJUST_PLATE_ASSY						1	
13		A3173E500B0		PRETENSION (MAS ASM.)						1	
14		A3173E500A0		PRETENSION DISH ASM. LEFT				*		1	
15		A3171T50000		PRETENSION LEVER				*		1	
16		A3172T50000		PRETENSION DISC				*		1	
17		A3175T70000		PRETENSION SPRING				*		1	
18		WP0260116RZ		WASHER 2.6X4.7X0.13				*		1	
19		RE0200000K0		E-RING 2				*		1	
20		SM5030455SF		SCREW M3 L=4						1	
21		40064573		ASSY_SUB_TENSION_BASE						1	
22		40062044		SUB_TENSION_BASE_ASSY				*		1	
23		40062047		SUB_TENSION				*		1	
24		40062048		SUB_TENSION_SPRING				*		1	
25		RE0200000K0		E-RING 2				*		1	
26		40053528		THREAD_TENSION_DIAL_CLICK						1	
27		SM5030655SN		SCREW M3X0.5 L=6						2	
28		40057974		ARM_THREAD_GUIDE						1	
29		SM5030655SN		SCREW M3X0.5 L=6						1	
30		40058407		THREAD_TENSION_COVER_BRACKET						1	
31		40064704		ASSY_BASE_TENSION_BASE						1	
32		40055383		BASE_TENSION_BASE_ASSY				*		1	
33		40055384		BASE_TENSION_ASSY				*		1	
34		40055420		BASE_TENSION_SPRING				*		1	
35		RE0200000K0		E-RING 2				*		1	
36		WP0320501SC		WASHER M3				*		1	
37		SM5030455SF		SCREW M3 L=4						2	
38		SM5040855SN		SCREW						1	
39		40055561		RELEASE_ARM						1	
40		WP0430801SC		WASHER M4						2	
41		40055400		RELEASE_ARM_SPRING						1	
42		40070286		RELEASE_ARM_SPACER						1	
43		SM5031001SE		SCREW M3 L=10						2	
44		174803004000		NUT						2	
45		RE0300000K0		E-RING 3						1	

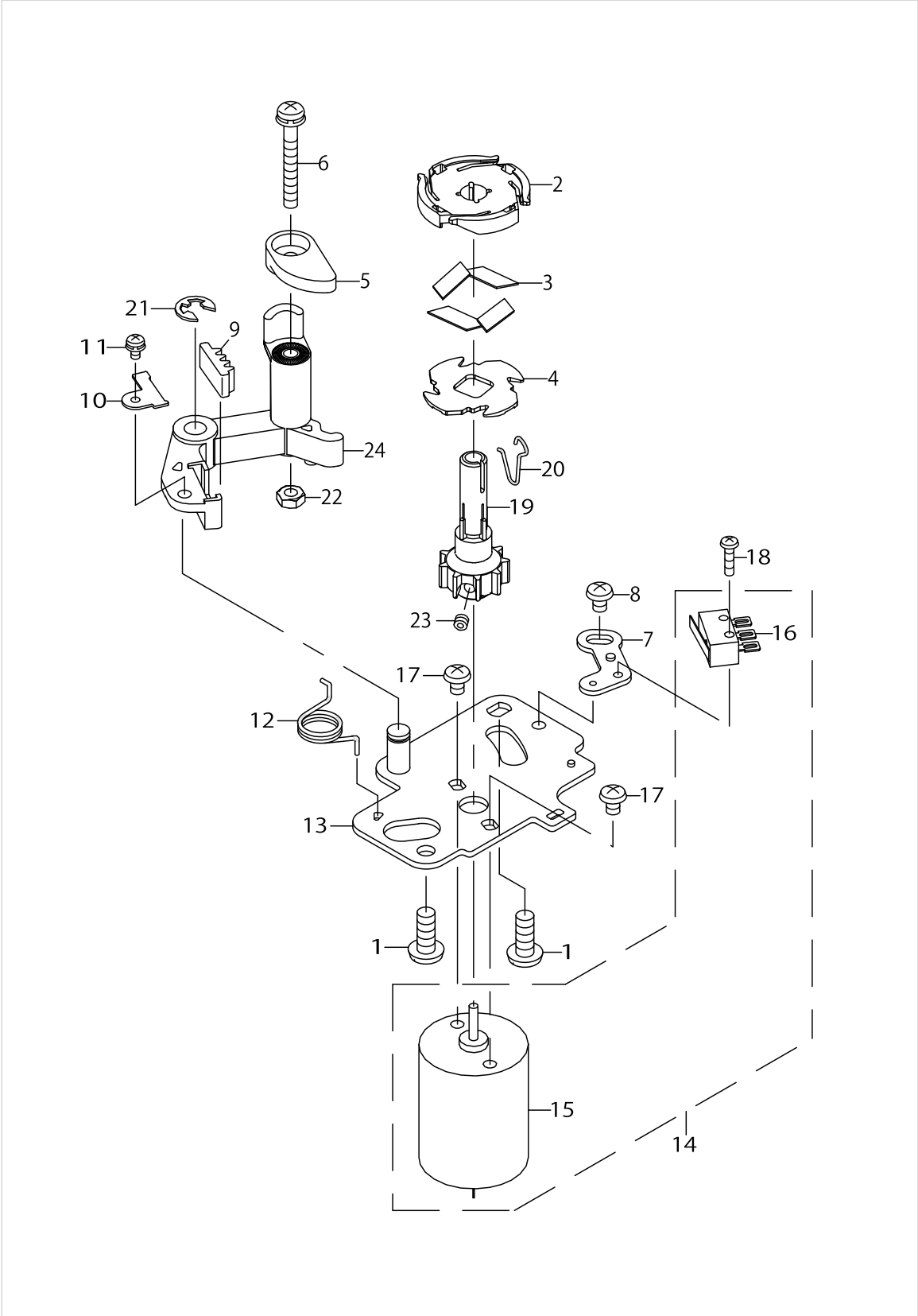
THREAD TENSION COMPONENTS



THREAD TENSION COMPONENTS

No.	Supply Code	Parts No.	Replacement	Parts name	Remarks	Choice	Step	Level	Cons	Qty	Rep. QTY
46		40066195		BASE_TENSION_LIFTER						1	
47		40066193		BASE_TENSION_LIFTER_SPRING						1	
48		SM5031001SE		SCREW M3 L=10						1	
49		WP0330816SF		WASHER 3.25X10X0.8						1	
50		ST5030851SN		SCREW M3X8						1	
51		SM5040855SN		SCREW						2	
52		CM300200001		FINGER INJURY CAUTION LABEL (16)						1	
53		40055396		TENSION_RELEASE_ARM						1	
54		40055397		TR_ARM_LOCATE_SCREW						1	
55		40161187		TR_ARM_SPRING						1	
56		40162302		FACE_PLATE_COVER						1	
57		SL4030591SC		SCREW M3 L=5						2	
58		40055376		TAKE_UP_SPRING_GUIDE						1	
59		ST5030851SN		SCREW M3X8						1	
60		40163854		TAKE_UP_SPRING						1	
61		40055385		PRESSER_LIFTER_SW_BASE	FOR DX3					1	
62		40115936		ASSY OST SW	FOR DX3					1	
63		SM4831001SF		SCREW M2.3 L=10	FOR DX3					1	
64		SL5040835SN		SCREW M4 L=8	FOR DX3					1	

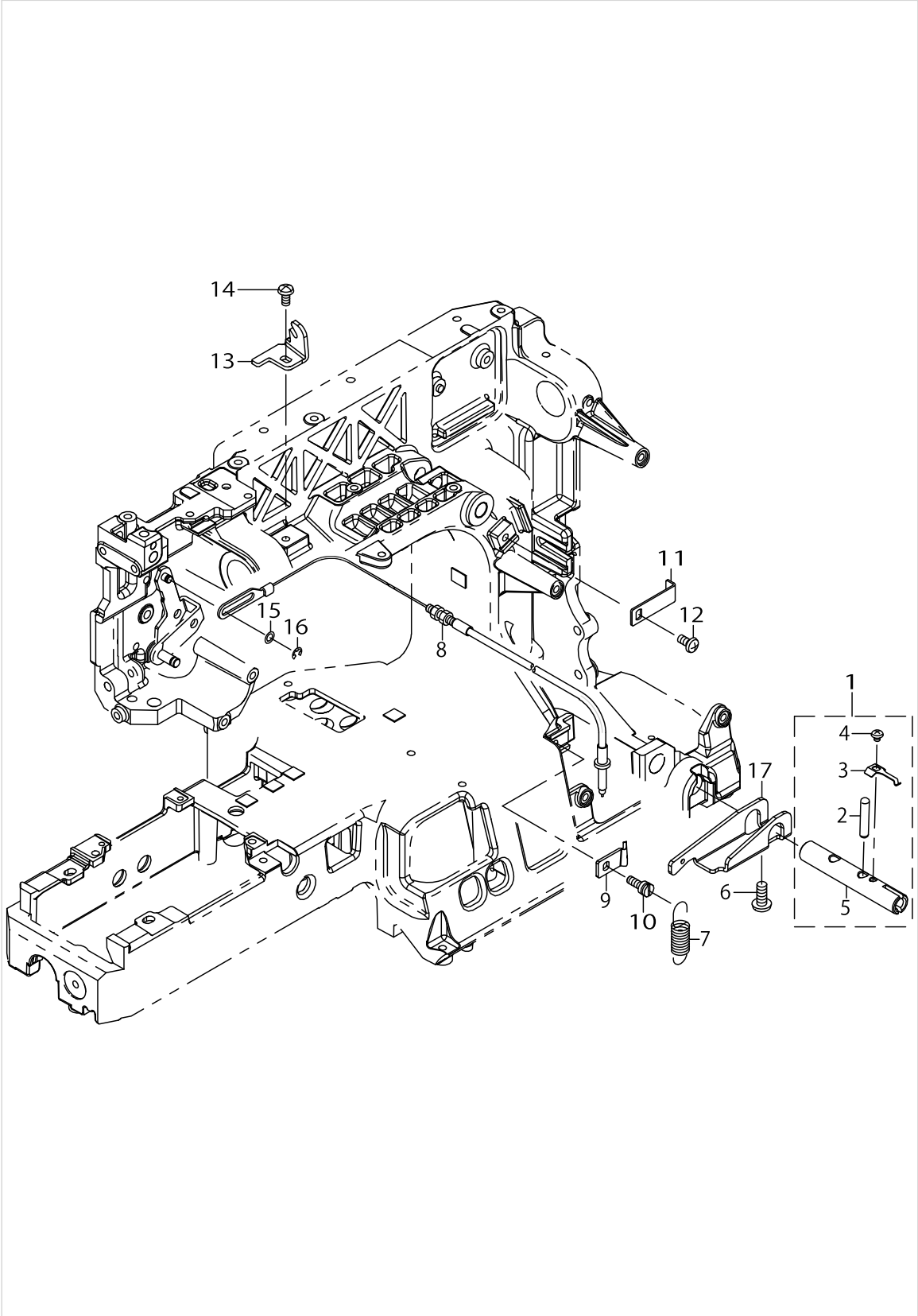
BOBBIN WINDER COMPONENTS



BOBBIN WINDER COMPONENTS

No.	Supply Code	Parts No.	Replacement	Parts name	Remarks	Choice	Step	Level	Cons	Qty	Rep. QTY
1		ST5041051SN		SCREW						2	
2		40174537		BOBBIN_RECEIVER						1	
3		40174532		CUTTER_BLADE_S						4	
4		40162335		BW_BLADE_HOLDER						1	
5		40053677		BW_ADJUST_BODY						1	
6		SL4032081SC		SCREW M3 L=20						1	
7		40097680		SW_BASE						1	
8		SM5030655SN		SCREW M3X0.5 L=6						1	
9		40076145		STOPPER_RUBBER						1	
10		40076146		RUBBER_FIXING_PLATE						1	
11		SL4020491SC		SCREW M2 L=4						1	
12		40061796		BW_SPRING						1	
13		40097677		BOBBIN_WINDER_BASE_ASSY						1	
14		40116031		ASSY_WIND_MOTOR						1	
15		40065720		WIND_MOTOR				*		1	
16		HA00325000B		SWITCH				*		1	
17		SM5030455SF		SCREW M3 L=4						2	
18		SM5020855SN		SCREW M2 L=8						1	
19		40162333		BOBBIN_WINDER_SHAFT						1	
20		40084023		BOBBIN_STOPPER_SPRING						1	
21		RE0400000K0		E-RING 4						1	
22		NM6030002SF		NUT M3						1	
23		SM8030312TP		SCREW M3 L=3						1	
24		40097679		BW_ADJUST_BASE						1	

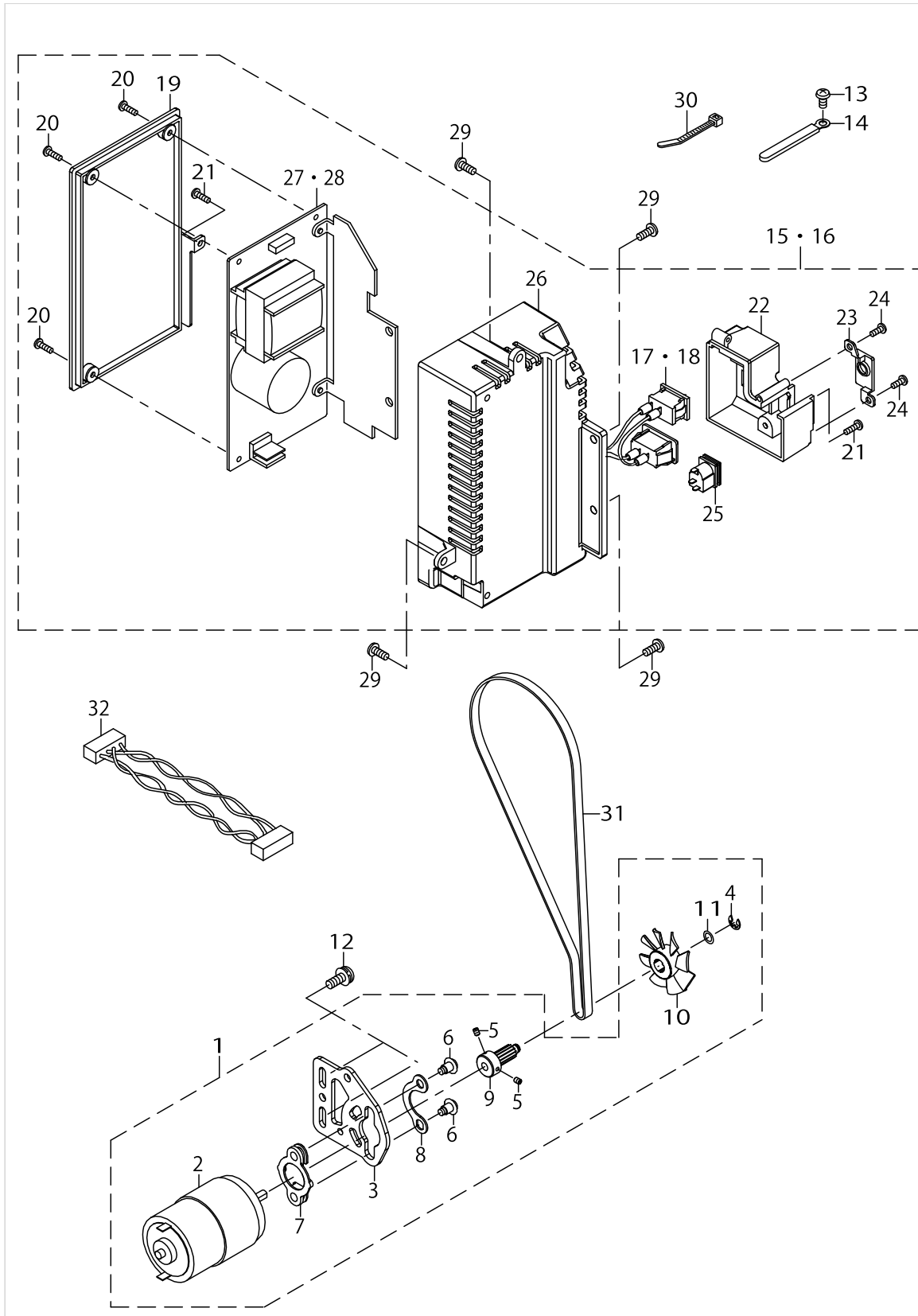
KNEE LIFTER COMPONENTS



KNEE LIFTER COMPONENTS

No.	Supply Code	Parts No.	Replacement	Parts name	Remarks	Choice	Step	Level	Cons	Qty	Rep. QTY
1		40084331		ASSY_KL_CONNECT_SHAFT						1	
2		A343301SZ00		STOPPER PIN				*		1	
3		40053426		KL_CLICK_SPRING				*		1	
4		SM4030301SC		SCREW M3X0.5 L=3				*		1	
5		40053425		KNEE_LIFTER_CONNECT_SHAFT				*		1	
6		SM5051255SN		SCREW						1	
7		40163860		KNEE_LIFTER_SPRING	FOR DX7,D-X5,DX-2000QVP					1	
8		40053446		KNEE_LIFTER_WIRE_ASSY						1	
9		40171590		WIRE_TUBE HOLDER_L						1	
10		40163861		KL_SPRING_STUD	FOR DX7,D-X5,DX-2000QVP					1	
11		40064567		WIRE_GUIDE_B						1	
12		SM5040855SN		SCREW						1	
13		40055795		WIRE_TUBE HOLDER_U						1	
14		SM5040855SN		SCREW						1	
15	R	WP0410516RZ	WP0410846SC	WASHER						1	1.00
16		RE0300000K0		E-RING 3						1	
17		40163859		KNEE_LIFTER_LEVER	FOR DX7,D-X5,DX-2000QVP					1	
18		40053427		KNEE_LIFTER_SPRING	FOR DX3					1	
19		40053429		KL_SPRING_STUD	FOR DX3					1	
20		40053424		KNEE_LIFTER_LEVER	FOR DX3					1	

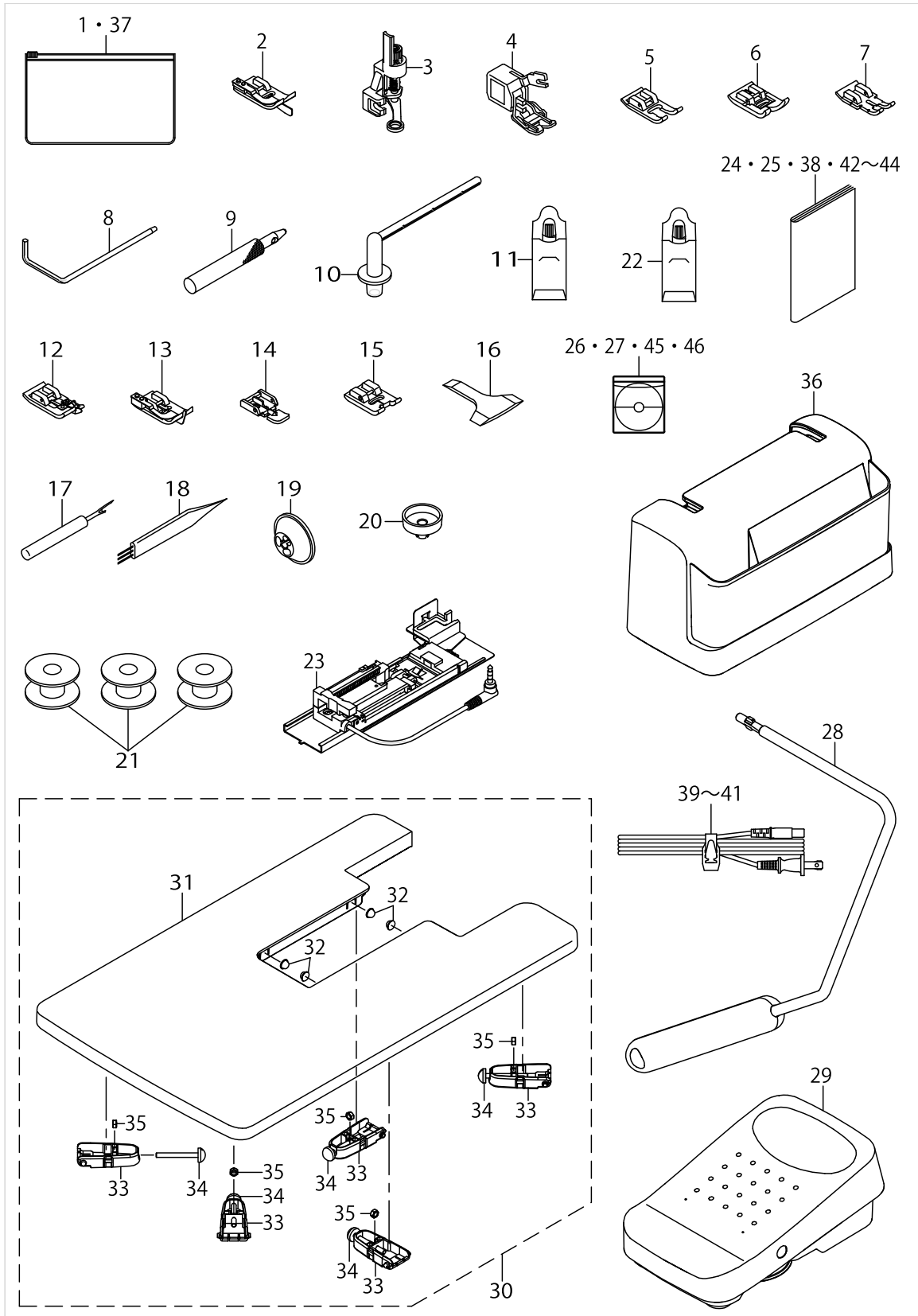
POWER SUPPLY & MAIN MOTOR COMPONENTS



POWER SUPPLY & MAIN MOTOR COMPONENTS

No.	Supply Code	Parts No.	Replacement	Parts name	Remarks	Choice	Step	Level	Cons	Qty	Rep. QTY
1		40163884		ALL_ASSY_MAIN_MOTOR						1	
2		40163174		ASSY_MAIN_MOTOR				*		1	
3		40051275		MOTOR_BRACKET				*		1	
4		RE040000K0		E-RING 4				*		1	
5		SM8030612TP		SET SCREW				*		2	
6		40057922		RUBBER_WASHER_SCREW				*		2	
7		40062143		MOTOR_SPACER				*		1	
8		40066024		SPACER_PLATE				*		1	
9		40055830		MOTOR_SHAFT_PULLEY				*		1	
10		40053472		MOTOR_SHAFT_PULLEY_FLANGE				*		1	
11		WP0520216RZ		WASHER 5.2X8X0.13				*		1	
12	R	SL4051485SE	SL4041295SE	SCREW M5 L=14		A	MOL254			2	1.00
12	R	SL4051485SE	SL4051485SC	SCREW M5 L=14		B	MOL254以- 外/Except MOL254			2	1.00
13		SM5040855SN		SCREW						3	
14		A3811550000		CORD HOLDER						2	
15		40079000		ALL_ASSY_POWER SUPPLY	FOR UL					1	
16		40164099		ALL_ASSY_POWER SUPPLY_CE	FOR CE					1	
17		40056541		ASSY_POWER_SW_UL	FOR UL			*		1	
18		40150471		ASSY_POWER_SW_CE	FOR CE			*		1	
19		40053476		SWITCHING_POWER- _SOURCE_COVER_LID				*		1	
20		ST5031051SN		TAPPING SCREW				*		3	
21		ST5031051SN		TAPPING SCREW				*		2	
22		40053474		INLET_COVER				*		1	
23		40058553		CONTROLLER_JACK_COVER				*		1	
24		ST5030851SN		SCREW M3X8				*		2	
25		40085940		ASSY_CONT_SOCKET				*		1	
26		40053475		SWITCHING_POWER- _SOURCE_COVER				*		1	
27		40164893		ASSY_POWER_SUPPLY_UL	FOR UL			*		1	
28		40166891		ASSY_POWER_SUPPLY_DX_REV2	FOR CE			*		1	
29		SM5041055SN		SCREW M4X10						4	
30		A407855000B		BAND						9	
31		40057960		MOTOR_TIMING_BELT						1	
32		40056552		ASSY_POWER_SUPPLY_RELAY						1	

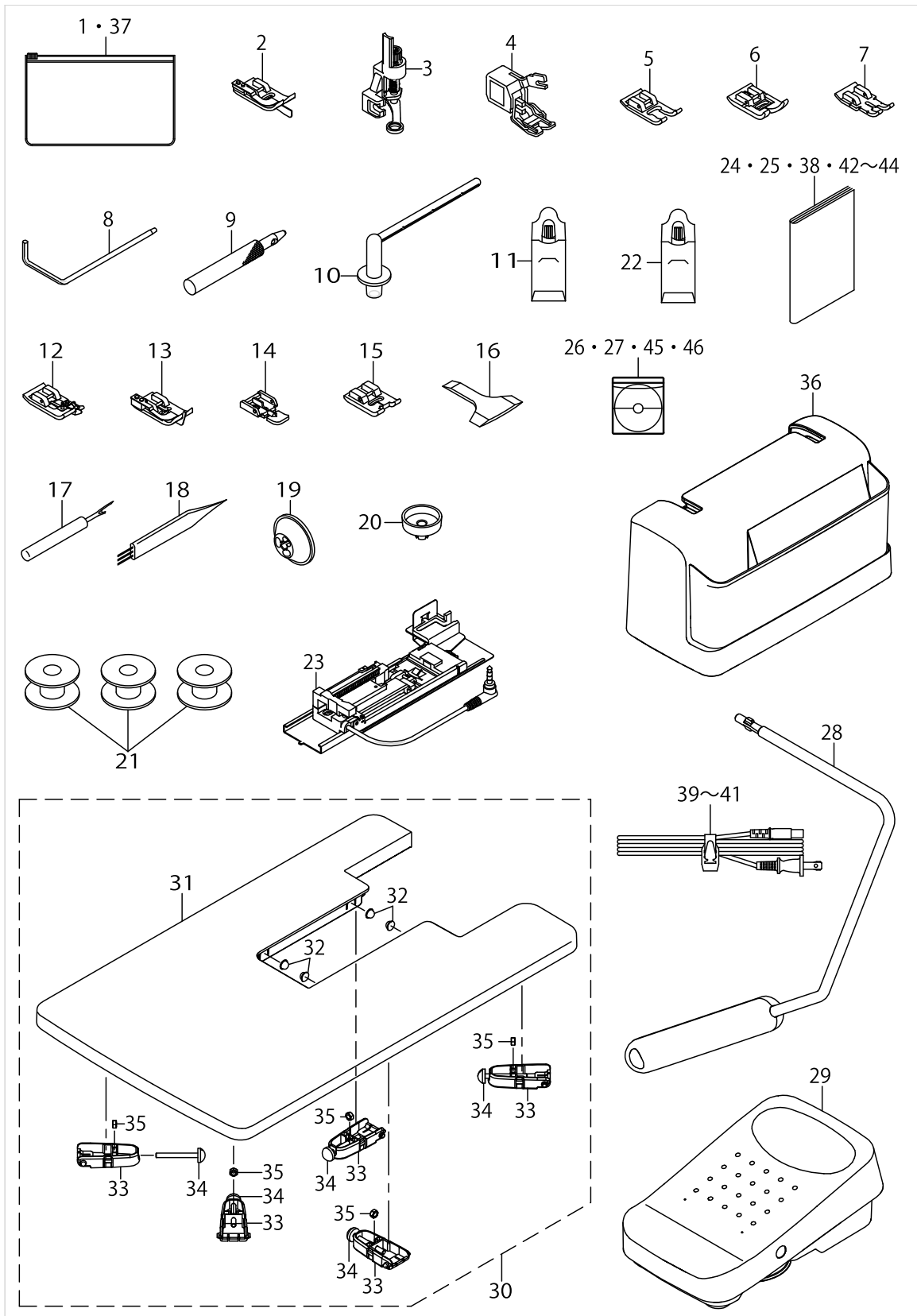
ACCESSORY PARTS COMPONENTS (1)



ACCESSORY PARTS COMPONENTS (1)

No.	Supply Code	Parts No.	Replacement	Parts name	Remarks	Choice	Step	Level	Cons	Qty	Rep. QTY
1		A9121503000A		ACCESSORY BAG	FOR DX7,D-X-2000QVP					1	
2		40059126		ASSY_CONCEALED_SEAM_FOOT	FOR DX7,D-X-2000QVP					1	
3		40173188		ASSY_QUILT_PRESSER_FOOT	FOR DX7,D-X5,DX-2000QVP					1	
4		40057984		ASSY_UPPER_FEED_ATTACHMENT	FOR DX7,D-X5,DX-2000QVP					1	
5		40059124		ASSY_OPEN_TOE_FOOT	FOR DX7,D-X-2000QVP					1	
6	R	A920101S0A0A	40165021	DECORATIVE STITCH FOOT	FOR DX7,D-X-2000QVP					1	1.00
7		40059122		ASSY_STRAIGHT_P-ACHWORK_FOOT	FOR DX7,D-X5,DX-2000QVP					1	
8		A9134550000		RULER	FOR DX7,D-X5,DX-2000QVP					1	
9		A9103880000		EYELET PUNCH	FOR DX7,D-X-2000QVP					1	
10		40058089		SUPPORT_SPOOL_PIN						1	
11		40083061		TWIN_NEEDLE_SET						1	
12		40059118		ASSY_OVERCASTING_FOOT						1	
13		40110164		ASSY_BLINDSTITCH_FOOT						1	
14		A91330100A0		ZIPPER FOOT ASM.						1	
15		40110165		TRANSPARENT_BUTTONHOLE_FOOT						1	
16		A9110700000		SCREWDRIVER						1	
17		A9131990000		SEAM RIPPER						1	
18		A9137956000		BRUSH						1	
19		A1150980000		SPOOL CAP						1	
20		A114501SZ00		SMALL SPOOL CAP						1	
21		001141000000		BOBBIN						3	
22		40075804		NEEDLE_SET						1	
23		40057289		BH_PRESSER_FOOT_SET						1	
24		40163700		INSTRUCTION_MANUAL_DX(ENG/SPA/FRA)(FOR U	FOR DX5,DX7					1	
25		40163917		INSTRUCTION_MANUAL_DX_ENG(FOR CE/BS)	FOR DX5,DX7					1	
26		40163903		ASSY_INSTRUCTION_DVD_DX_SERIES_PAL(FOR C	FOR DX5,DX7					1	
27		40163909		ASSY_INSTRUCTION_DVD_DX_SERIES_NTSC(FOR	FOR DX5,DX7					1	
28		40070255		ASSY_KNEE_LIFTER	FOR DX7,D-X5,DX-2000QVP					1	
29		40144123		FOOT_CONTROLLER_(FOR_ABROAD)_(ASM)						1	
30		40068038		ASSY_WIDE_TABLE	FOR DX7,D-X-2000QVP					1	
31		40059204		WIDE_TABLE				*		1	
32		A9503E50000		TABLE NON-SLIP				*		4	
33		40070174		WIDE_TABLE_LEG				*		5	
34		A9505E50000		SCREW				*		5	
35		NM6050002SS		NUT M5				*		5	
36		40163616		ALL_ASSY_HARD_CASE_X_SERIES	FOR DX7,D-X5,DX-2000QVP					1	
37		A9101550000		ACCESSORY BAG	FOR DX5,DX7					1	
38		40163704		INSTRUCTION_MANUAL_DX(ITA)(FORCE)	FOR DX5,DX7					1	
39		A442101EZA0A		ELECTRIC POWER CORD ASM.(FOR UL)						1	

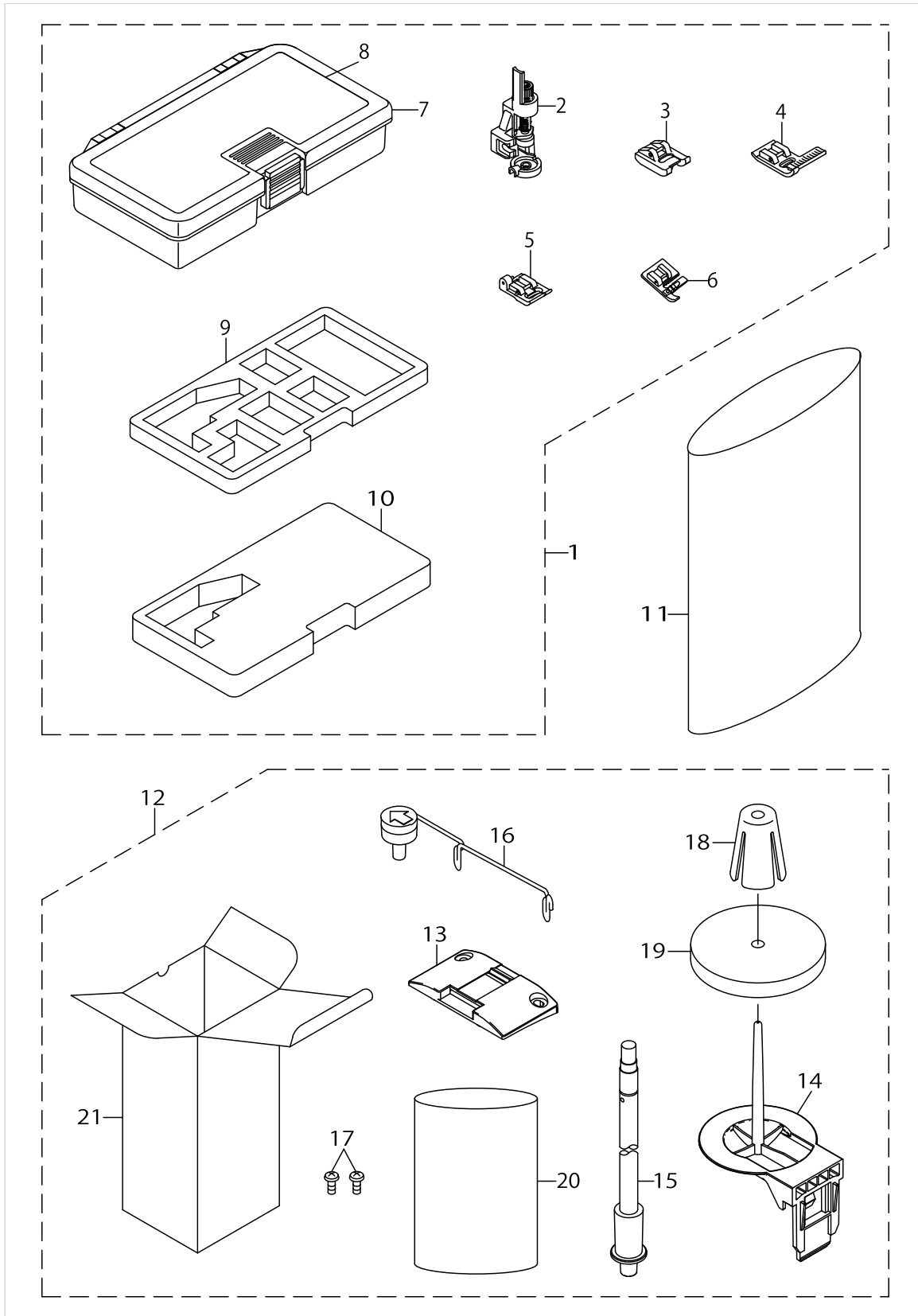
ACCESSORY PARTS COMPONENTS (1)



ACCESSORY PARTS COMPONENTS (1)

No.	Supply Code	Parts No.	Replacement	Parts name	Remarks	Choice	Step	Level	Cons	Qty	Rep. QTY
40		A44219800AF		ELECTRIC POWER CORD(FOR CE)						1	
41		40071949		POWER_CORD_SET_(ASM.)(FOR BS)						1	
42		40166930		INSTRUCTION_MAN- UAL_DX2000QVP(ENG/SPA/FRA)	FOR DX-2000QVP					1	
43		40166931		INSTRUCTION_MAN- UAL_DX2000QVP(ENG)(FOR CE)	FOR DX-2000QVP					1	
44		40166932		INSTRUCTION_MAN- UAL_DX2000QVP(ITA)(FOR CE)	FOR DX-2000QVP					1	
45		40166925		ASSY_INSTRUCTIO- N_MANUAL_DX2000QVP_PAL(FO	FOR DX-2000QVP					1	
46		40166925		ASSY_INSTRUCTIO- N_MANUAL_DX2000QVP_PAL(FO	FOR DX-2000QVP					1	
47		40107467		ASSY_HARD_CASE	FOR DX3					1	
48		40176910		INSTRUCTION_MAN- UAL_DX3_(ENG)(FOR CE)	FOR DX3					1	
49		40176911		INSTRUCTION_MAN- UAL_DX3_(ITA)(FOR IT)	FOR DX3					1	
50		40177593		INSTRUCTION_MAN- UAL_DX3_(RUS)(CE2)	FOR DX3					1	

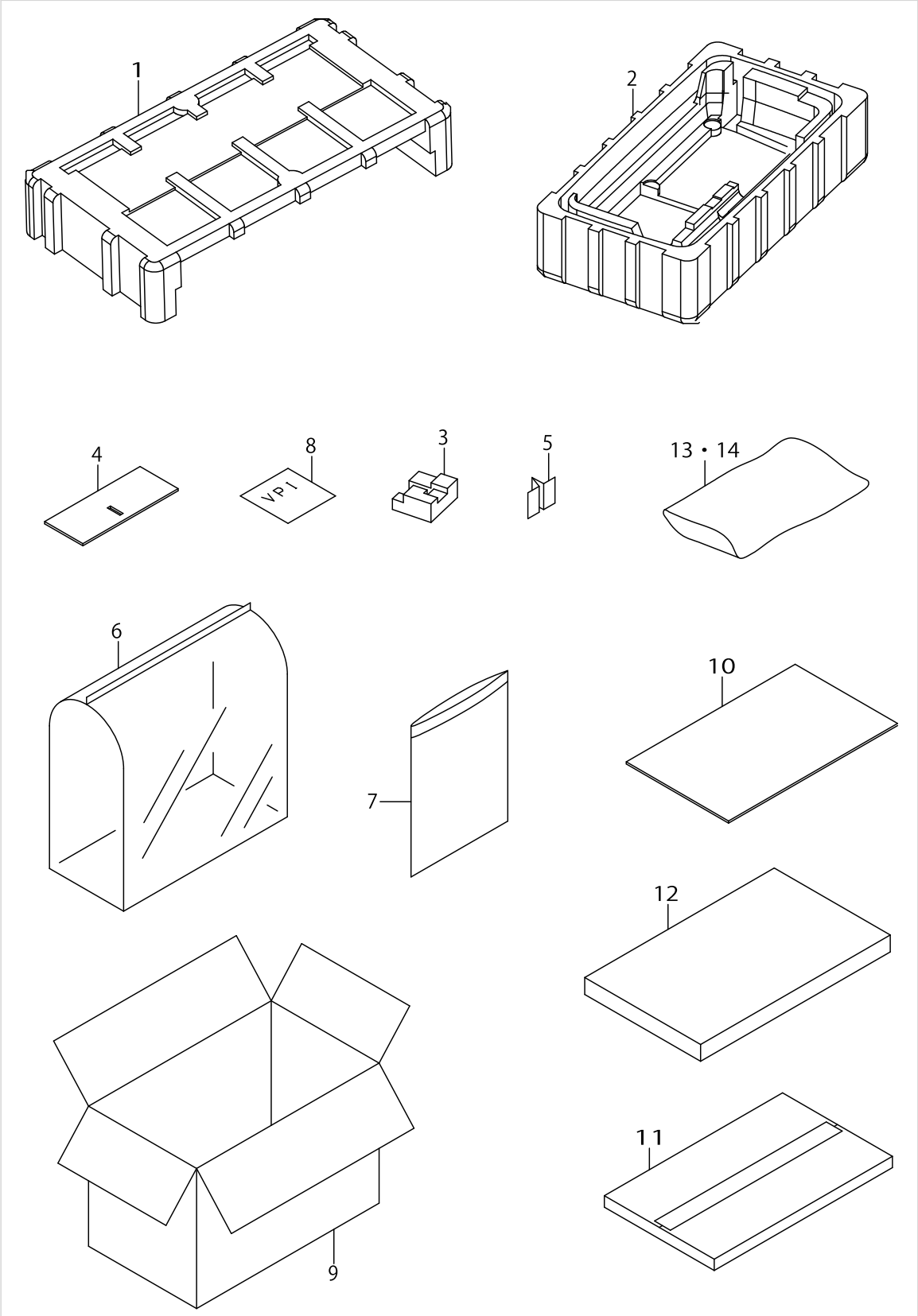
ACCESSORY PARTS COMPONENTS (2)



ACCESSORY PARTS COMPONENTS (2)

No.	Supply Code	Parts No.	Replacement	Parts name	Remarks	Choice	Step	Level	Cons	Qty	Rep. QTY
1		40167170		FOOT_SET_DX2000QVP	FOR DX-2000QVP					1	
2	R	40067890	40173196	ASSY_FREE_MOTIO- N_CORDING_FOOT	FOR DX-2000QVP			*		1	1.00
3		40079841		ASSY_PEARL_SEWING_FOOT	FOR DX-2000QVP			*		1	
4		40068622		ASSY_STITCH_GUIDE_FOOT	FOR DX-2000QVP			*		1	
5		40068015		ASSY_APPLIQUE_FOOT	FOR DX-2000QVP			*		1	
6		A91298800A0		CORDING_FOOT	FOR DX-2000QVP			*		1	
7		A0002ZZZ777		CASE	FOR DX-2000QVP			*		1	
8		40166754		ACCESSORY_BOX_SEAL_QVP	FOR DX-2000QVP			*		1	
9		40166922		ACCESSORY_BOX_S- EAL_QVP_CUSHION	FOR DX-2000QVP			*		1	
10		40166921		ACCESSORY_BOX_S- EAL_QVP_CUSHION_INSIDE	FOR DX-2000QVP			*		1	
11		40166923		CUSHION_BAG	FOR DX-2000QVP					1	
12		40167171		SUNDING_SPOOL HOLDER SET	FOR DX-2000QVP					1	
13		40163899		SPOOL HOLDER BASE	FOR DX-2000QVP			*		1	
14		40164063		SPOOL HOLDER	FOR DX-2000QVP			*		1	
15		40164064		THREAD_GUIDE_POST_ASSY	FOR DX-2000QVP			*		1	
16		40164066		ASSY_THREAD_GUIDE	FOR DX-2000QVP			*		1	
17		SM5041055SN		SCREW M4X10	FOR DX-2000QVP			*		2	
18		A1120202000		SPOOL RETAINER	FOR DX-2000QVP			*		1	
19		A9750779000		UPPER COVERING THR.SPOOL SEAT	FOR DX-2000QVP			*		1	
20		J0231082A00		VINYL_SHEET	FOR DX-2000QVP			*		1	
21		40166924		SPOOL HOLDER_BOX	FOR DX-2000QVP			*		1	

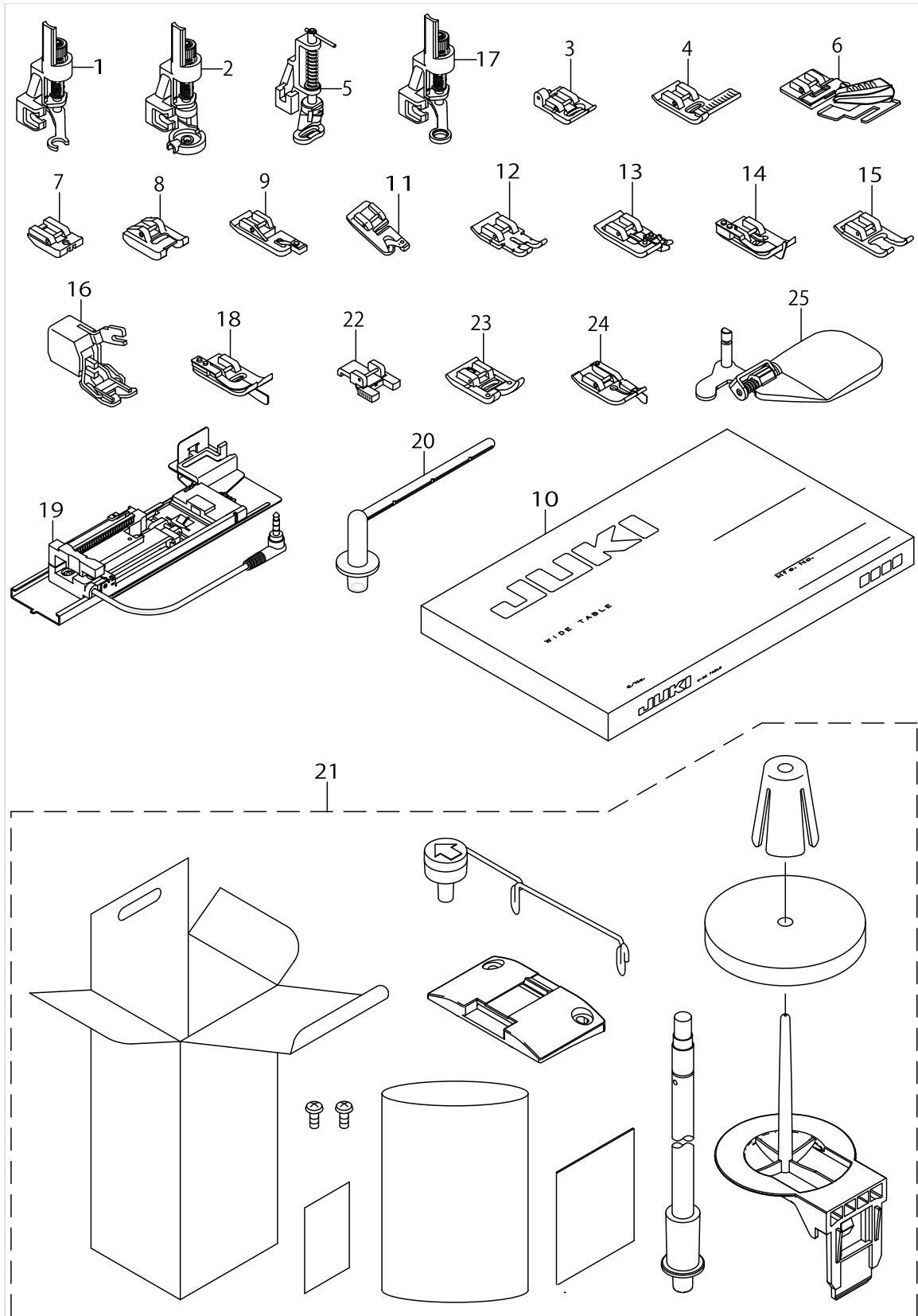
PACKING MATERIAL COMPONENTS



PACKING MATERIAL COMPONENTS

No.	Supply Code	Parts No.	Replacement	Parts name	Remarks	Choice	Step	Level	Cons	Qty	Rep. QTY
1		40078460		TOP_CUSHIONING	FOR DX7,D-X5,DX-2000QVP					1	
2		40078461		BOTTOM_CUSHIONING	FOR DX7,D-X5,DX-2000QVP					1	
3		40078462		TP_CUSHIONING						1	
4		40075778		ACCESSORY_TRAY_SPONGE						1	
5		40078479		THREAD_WAY_PLATE_PAPER						1	
6		40090758		MACHINE COVER						2	
7		A9181008000		VINYL						1	
8		J0233500A00		VPI PAPER						1	
9		40163629		COLOR_CARTON_C-ASE_DX_FOREIGN	FOR DX7,DX5					1	
10		40079540		WIDE_TABLE_SPACER	FOR DX5					1	
11		40069617		WT_PACKING_CASE	FOR DX7,D-X-2000QVP					1	
12		A9513E50000		VINYL BAG	FOR DX7,D-X-2000QVP					1	
13		A5101008X00		VINYL SHEET	FOR DX7,D-X5,DX-2000QVP					1	
14		40166927		COLOR_CARTON_C-ASE_DX2000QVP	FOR DX-2000QVP					1	
15		40176908		COLOR_CARTON_CASE_DX3	FOR DX3					1	
16		40172359		TOP_CUSHIONING	FOR DX3					1	
17		40108226		CUSHIONING_BOTTOM	FOR DX3					1	
18		40172360		CUSHIONING_CASE_A	FOR DX3					1	
19		40172361		CUSHIONING_CASE_B	FOR DX3					1	

OPTIONAL ACCESSORY PARTS COMPONENTS



OPTIONAL ACCESSORY PARTS COMPONENTS

No.	Supply Code	Parts No.	Replacement	Parts name	Remarks	Choice	Step	Level	Cons	Qty	Rep. QTY
1		40177014		BP_OPEN_QUILTING_FOOT_2						1	
2		40177016		BP_FREE_MOTION_CORDING_FOOT_2						1	
3		40080951		BP APPLIQUE FOOT						1	
4		40080952		BP STITCH GUIDE FOOT						1	
5		40080953		BP CLEAR QUILTING FOOT						1	
6		40080954		FOLDING PLATE A RIGHT						1	
7		40080955		BP INVISIBLE ZIPPER FOOT						1	
8		40080956		BP PEARL SEWING FOOT						1	
9		40080957		BP ZIG ZAG ROLLED HEMMING FOOT						1	
10		40078483		WIDE_TABLE_SET						1	
11		40080958		BP ROLLED HEMMING FOOT						1	
12		40080959		BP PACHWORK FOOT						1	
13		40080960		BP OVERCASTING FOOT						1	
14		40080961		BP BLINDSTITCH FOOT						1	
15		40080962		BP OPEN TOE FOOT						1	
16		40080963		BP EVEN FEED FOOT						1	
17		40177011		BP_QUILTING_FOOT_2						1	
18		40080965		BP EDGE STITCH FOOT						1	
19		40080966		BPBHPRESSERFOOT						1	
20		40080967		BP AUXILIARY SPOOL PIN						1	
21		40163897		SPOOL HOLDER SET						1	
22		40080969		BP BUTTON SEWING FOOT						1	
23	R	40079312	40181050	BLISTER BAG ASM(-DEC STTICH FOOT)						1	1.00
24		40164071		BP_1/4_INCH_FOOT						1	
25		40164074		BP_MAGNIFIER						1	

HOW TO MAKE USE OF THIS PARTS LIST

- 1.As to "#01" and "#02" refer to the "Note" given at the bottom of the respective pages.
- 2.Codes on the "Qty" column
 - Each numeral indicates the number of parts required.
 - "0.1" and "2.5" indicate the length (in meters) of the respective parts.
- 3.Parentheses mean that the corresponding part is a subpart that constructs an assembly part.
- 4.Dotted lines on the Figures indicate assembly parts.

NUMERICAL INDEX OF PARTS

PART NO	PAGE	REF NO.	PART NO	PAGE	REF NO.	PART NO	PAGE	REF NO.
001141000000	28	43	40053610	30	18	40055520	22	45
001141000000	44	21	40053611	30	24	40055521	24	79
021112002000	26	33	40053612	30	21	40055522	24	53
041207008000	28	46	40053616	30	25	40055524	24	51
174803004000	34	44	40053628	32	67	40055526	24	70
174804008000	22	25	40053632	32	65	40055527	24	71
40051255	12	46	40053636	32	66	40055528	24	72
40051275	42	3	40053637	32	64	40055530	24	57
40053424	40	20	40053641	32	57	40055531	24	60
40053425	40	5	40053677	38	5	40055532	24	61
40053426	40	3	40053683	2	33	40055533	24	62
40053427	40	18	40053685	2	22	40055539	24	67
40053429	40	19	40055371	34	8	40055557	18	68
40053446	40	8	40055376	36	58	40055561	34	39
40053454	26	38	40055383	34	32	40055676	18	55
40053456	26	13	40055384	34	33	40055795	40	13
40053469	10	17	40055385	36	61	40055796	32	70
40053472	42	10	40055387	16	2	40055811	12	38
40053474	42	22	40055391	16	1	40055812	12	39
40053475	42	26	40055395	18	67	40055812	18	63
40053476	42	19	40055396	36	53	40055813	12	40
40053479	10	32	40055397	36	54	40055819	14	65
40053486	10	16	40055400	34	41	40055821	14	53
40053493	10	6	40055401	4	34	40055822	14	55
40053495	26	8	40055402	16	13	40055823	14	56
40053497	12	13	40055403	16	14	40055824	14	57
40053498	12	14	40055404	16	17	40055825	10	8
40053499	18	50	40055405	16	18	40055826	26	10
40053505	18	53	40055406	16	19	40055827	12	41
40053516	12	21	40055408	18	70	40055828	12	45
40053517	12	22	40055409	16	16	40055830	42	9
40053520	34	1	40055412	16	21	40056010	22	38
40053525	34	7	40055420	34	34	40056529	16	24
40053526	34	10	40055426	16	32	40056541	42	17-18
40053528	34	26	40055433	16	36	40056552	42	32
40053532	34	12	4005549	22	1	40056554	2	1
40053581	30	6	40055499	22	3	40056558	24	56
40053584	32	53	40055501	22	32	40056861	10	33
40053585	32	51	40055502	22	27	40056945	12	32
40053586	30	9	40055504	22	4	40056969	18	69
40053587	30	11	40055505	22	15	40056970	12	18
40053598	30	13	40055507	22	22	40056975	26	39
40053602	30	16	40055513	22	20	40056976	26	40
40053603	30	19	40055517	22	39	40057150	8	4
40053604	30	30	40055519	22	46	40057187	10	20

NUMERICAL INDEX OF PARTS

PART NO	PAGE	REF NO.	PART NO	PAGE	REF NO.	PART NO	PAGE	REF NO.
40057188	10	21	40062143	42	7	40076146	38	10
40057189	10	22	40062144	16	27	40076391	16	11
40057190	10	23	40062407	12	27	40078460	50	1
40057289	44	23	40062500	2	5	40078461	50	2
40057334	24	76	40062518	10	27	40078462	50	3
40057335	24	52	40064224	16	23	40078479	50	5
40057355	10	28	40064567	40	11	40078483	52	10
40057384	10	36	40064572	6	48	40078681	30	40
40057397	6	57	40064573	34	21	40078685	32	74
40057922	2	27	40064703	16	25	40078686	32	72
40057922	42	6	40064704	34	31	40078690	32	75
40057923	16	26	40064997	26	37	40079000	42	15·16
40057960	42	31	40065563	2	7	40079178	14	51
40057974	34	28	40065631	8	11	40079312	52	23
40057983	10	12	40065718	30	3	40079540	50	10
40057984	44	4	40065720	38	15	40079605	16	40
40057990	2	26	40066024	42	8	40079606	16	43
40057991	2	43	40066124	34	4	40079841	48	3
40057991	20	24	40066193	36	47	40080420	26	16
40058088	4	42	40066195	36	46	40080951	52	3
40058089	44	10	40066691	24	54	40080952	52	4
40058407	34	30	40067261	20	3	40080953	52	5
40058553	42	23	40067261	32	47	40080954	52	6
40058626	26	17	40067671	32	49	40080955	52	7
40059118	44	12	40067890	48	2	40080956	52	8
40059122	44	7	40068015	48	5	40080957	52	9
40059124	44	5	40068038	44	30	40080958	52	11
40059126	44	2	40068622	48	4	40080959	52	12
40059168	4	16	40069617	50	11	40080960	52	13
40059204	44	31	40070174	44	33	40080961	52	14
40059209	2	35	40070239	2	13	40080962	52	15
40059215	2	25	40070255	44	28	40080963	52	16
40059240	4	41	40070284	4	33	40080965	52	18
40059244	6	60·66	40070286	34	42	40080966	52	19
40059245	4	35	40070288	18	48	40080967	52	20
40059249	2	2	40071949	46	39~41	40080969	52	22
40060527	16	33	40071969	22	35	40081293	26	15
40060607	22	37	40071970	22	6	40083061	44	11
40060608	26	18	40071971	22	7	40084023	38	20
40061618	18	71	40071972	22	8	40084331	40	1
40061796	38	12	40071973	22	9	40084595	4	26·63
40062034	6	49	40072395	2	11	40085940	42	25
40062044	34	22	40075778	50	4	40090758	50	6
40062047	34	23	40075804	44	22	40091946	4	20
40062048	34	24	40076145	38	9	40097677	38	13

NUMERICAL INDEX OF PARTS

PART NO	PAGE	REF NO.	PART NO	PAGE	REF NO.	PART NO	PAGE	REF NO.
40097679	38	24	40145842	32	62	40162365	6	61·62
40097680	38	7	40150471	42	17·18	40162367	2	18
40098262	12	34	40152349	2	16	40162369	4	31
40098263	14	47	40160143	8	8	40162912	8	7
40098264	12	42	40160145	30	39	40163131	18	46
40098265	14	54	40160146	2	8	40163132	30	45
40098266	14	59	40160146	8	2	40163133	20	2
40098267	14	60	40160147	2	10	40163152	4	2
40098268	14	61	40160147	6	46	40163159	18	66
40098269	14	62	40160147	8	5	40163170	4	17
40099886	26	6	40160147	30	38	40163171	4	21·22
40107462	6	26·63	40160192	30	31	40163172	4	21·22
40107467	46	47	40160743	12	33	40163174	42	2
40107895	2	3	40161187	36	55	40163183	8	27
40107901	10	1	40161206	12	30	40163190	4	23
40107914	22	10	40161989	34	11	40163191	16	42
40107915	22	16	40162294	4	1·30	40163192	16	29
40107916	22	21	40162295	4	1·30	40163195	32	55
40107917	22	26	40162299	2	9	40163198	20	6
40107918	22	28	40162302	36	56	40163202	4	37·38
40107919	22	33	40162305	4	7	40163203	4	37·38
40107921	22	43	40162308	4	8	40163616	44	36
40107924	24	59	40162311	4	11	40163619	10	2
40107929	26	1	40162314	4	9	40163629	50	9
40108226	50	17	40162315	4	10	40163691	2	30
40108609	12	43	40162316	4	12	40163692	2	39
40108610	12	44	40162317	4	5	40163693	2	40
40108611	14	49	40162318	4	18·19·64	40163698	8	1
40108612	12	36	40162321	4	18·19·64	40163699	12	5
40110164	44	13	40162324	4	3	40163700	44	24·25·38- ·42~44
40110165	44	15	40162325	4	24			
40112878	34	9	40162326	12	25	40163704	44	24·25·38- ·42~44
40115936	36	62	40162327	12	29	40163748	8	31
40116031	38	14	40162328	4	14	40163751	8	19
40121860	12	4	40162329	16	30	40163756	8	22
40135933	4	15	40162333	38	19	40163758	8	15
40135998	30	37	40162335	38	4	40163759	8	16
40136001	30	1	40162336	2	32	40163760	12	6
40136004	30	8	40162337	2	34	40163761	12	7
40136005	30	12	40162339	2	36	40163762	14	67
40136007	30	27	40162341	2	17	40163763	14	68
40136008	30	33	40162342	2	19	40163764	12	2
40136009	30	35	40162347	4	27·28·65	40163778	14	69
40137570	4	13	40162349	4	27·28·65	40163779	14	63
40144123	44	29	40162363	6	61·62	40163780	16	44

NUMERICAL INDEX OF PARTS

PART NO	PAGE	REF NO.	PART NO	PAGE	REF NO.	PART NO	PAGE	REF NO.
40163782	18	58	40166324	8	30	A0002ZZZ777	48	7
40163784	16	5	40166752	6	27·28·65	A1111A85000	8	12
40163785	16	7	40166754	48	8	A1114010000A	8	9
40163787	16	8	40166868	6	18·19·64	A1119010000	8	6
40163788	16	22	40166891	42	27·28	A1120202000	48	18
40163790	18	62	40166921	48	10	A1138335000	8	24
40163792	18	64	40166922	48	9	A1138335000	26	42
40163795	30	44	40166923	48	11	A1139030Z00	6	55
40163797	32	61	40166924	48	21	A114501SZ00	44	20
40163854	36	60	40166925	46	26·27·45- ·46	A1145E50000	4	43
40163859	40	17	40166927	50	13·14	A1146E50000	4	6
40163860	40	7	40166930	46	24·25·38- ·42~44	A1150980000	44	19
40163861	40	10	40166931	46	24·25·38- ·42~44	A1159770000	2	42
40163871	20	1	40166932	46	24·25·38- ·42~44	A1159770000	20	23
40163877	20	14	40166932	46	24·25·38- ·42~44	A1203030000	22	18
40163880	20	16	40167170	48	1	A1203030000	26	4
40163881	20	18	40167171	48	12	A1223010000	10	38
40163882	20	20	40170866	20	8	A1427010000A	12	19
40163883	20	22	40170867	20	10	A1448010000	14	64
40163884	42	1	40170868	20	12	A1456008000A	18	51
40163885	8	25	40171590	40	9	A1458A85000	12	37
40163886	8	26	40171601	8	14	A1624010000	22	40
40163897	52	21	40171604	8	17	A1646010000	18	57
40163899	48	13	40171605	8	18	A1650008000A	24	65
40163903	44	26·27·45- ·46	40172321	2	41	A1651008000	24	68
40163906	10	19	40172359	50	16	A1658008000	24	69
40163909	44	26·27·45- ·46	40172360	50	18	A18090310A0	26	31
40163917	44	24·25·38- ·42~44	40172361	50	19	A1810E60000	26	2
40164063	48	14	40173188	44	3	A18300310A0	26	25
40164064	48	15	40174532	38	3	A1830E800B0	26	24
40164066	48	16	40174537	38	2	A1830E800C0	26	23
40164071	52	24	40176891	6	67	A1831031000	26	28
40164074	52	25	40176893	6	68	A1832008000	26	26
40164099	42	15·16	40176895	6	69	A1833E50000	26	30
40164220	26	12	40176897	6	70	A1840009000	26	19
40164579	8	21	40176901	6	71	A1841S56000	26	20
40164580	8	20	40176908	50	15	A1843030000	26	21
40164851	12	1	40176910	46	48	A1844030000	26	22
40164853	12	3	40176911	46	49	A2110700000	16	35
40164893	42	27·28	40177011	52	17	A1833E50000	26	30
40164903	10	24	40177014	52	1	A1840009000	26	19
40166174	2	38	40177016	52	2	A1843030000	26	21
40166304	6	60·66	40177593	46	50	A1844030000	26	22
						A2110700000	34	6
						A2110700000	34	66
						A2110700000	34	6
						A3171T50000	34	15
						A3172T50000	34	16
						A3173E500A0	34	14
						A3173E500B0	34	13

NUMERICAL INDEX OF PARTS

PART NO	PAGE	REF NO.	PART NO	PAGE	REF NO.	PART NO	PAGE	REF NO.
A3175T70000	34	17	PS0200082KP	30	10	SL4030891SC	4	29
A3205555A00	2	12	PS0200122KP	22	73	SL4030891SC	16	52
A3205555A00	6	47	PS0200122KP	24	73	SL4030891SC	18	52
A3205555A00	24	77	PS0200182KP	34	2	SL4030891SC	30	29
A3233731000	6	52	PS0400222KP	10	3	SL4031091SC	16	28
A3234550000	6	50	RC0370411KP	10	26	SL4032081SC	38	6
A3235030Z00A	6	51	RE0150000K0	30	17	SL4040691SC	12	24
A3236880000	6	53	RE0200000K0	12	17	SL4051485SE	42	12
A3237880000	6	54	RE0200000K0	30	41	SL5030531SF	18	61
A343301SZ00	40	2	RE0200000K0	34	35	SL5030531SF	20	7
A3811550000	4	39	RE0300000K0	12	48	SL5030531SF	32	56
A3811550000	42	14	RE0300000K0	14	48	SL5040835SN	36	64
A3910634000B	34	3	RE0300000K0	16	3	SL6030692TN	24	81
A407855000B	42	30	RE0300000K0	22	13	SL6041692TN	26	9
A442101EZA0A	44	39~41	RE0300000K0	30	73	SM1030601SN	2	21
A44219800AF	46	39~41	RE0300000K0	32	73	SM1040801SN	16	39
A5101008X00	50	13·14	RE0300000K0	34	45	SM4020201SC	8	3
A9101550000	44	1·37	RE0300000K0	40	16	SM4020301SC	8	10
A9103880000	44	9	RE0400000K0	2	4	SM4020401SC	24	63
A9110700000	44	16	RE0400000K0	10	34	SM4030301SC	40	4
A9121503000A	44	1·37	RE0400000K0	16	59	SM4831001SF	36	63
A91298800A0	48	6	RE0400000K0	18	59	SM5020301SC	26	41
A9131990000	44	17	RE0400000K0	20	11	SM5020501SC	8	13
A91330100A0	44	14	RE0400000K0	22	31	SM5020855SN	12	10
A9134550000	44	8	RE0400000K0	30	68	SM5020855SN	38	18
A9137956000	44	18	RE0400000K0	32	68	SM5030455SF	16	47
A9181008000	50	7	RE0400000K0	38	21	SM5030455SF	18	47
A920101S0A0A	44	6	RE0400000K0	42	4	SM5030455SF	20	21
A9503E50000	44	32	RE0500000K0	20	17	SM5030455SF	30	46
A9505E50000	44	34	RE0500000K0	24	78	SM5030455SF	34	37
A9513E50000	50	12	RE0500000K0	32	69	SM5030455SF	38	17
A9750779000	48	19	RE0600000K0	10	25	SM5030655SN	8	28
CM300200001	36	52	RE0700000K0	22	17	SM5030655SN	12	70
CS1000881TP	10	4	RE0700000K0	26	3	SM5030655SN	14	70
HA00325000B	38	16	RE0800000K0	10	15	SM5030655SN	16	56
J0231082A00	48	20	RE0800000K0	24	48	SM5030655SN	18	56
J0233500A00	50	8	RE400000K0	24	55	SM5030655SN	22	36
MHA100B1400	12	11	RO133170100	10	7	SM5030655SN	26	35
NM6030002SF	30	4	SL4020491SC	38	11	SM5030655SN	30	63
NM6030002SF	34	5	SL4030591SC	36	57	SM5030655SN	32	63
NM6030002SF	38	22	SL4030691SC	4	58	SM5030655SN	34	29
NM6040002SF	12	9	SL4030691SC	6	58	SM5030655SN	38	8
NM6050002SS	44	35	SL4030691SC	16	41	SM5031001SE	34	48
PH0300182C0	4	44	SL4030691SC	30	50	SM5031001SE	36	48
PS0200082KP	22	2	SL4030691SC	32	50	SM5040655SN	8	29

NUMERICAL INDEX OF PARTS

PART NO	PAGE	REF NO.	PART NO	PAGE	REF NO.
SM5040655SN	18	65	ST5030851SN	36	59
SM5040655SN	20	19	ST5030851SN	42	24
SM5040855	24	47	ST5031051SN	4	56
SM5040855SN	2	44	ST5031051SN	6	56
SM5040855SN	4	59	ST5031051SN	42	21
SM5040855SN	6	59	ST5031251SF	2	31
SM5040855SN	10	35	ST5031251SF	4	4
SM5040855SN	12	28	ST5041051SN	38	1
SM5040855SN	16	45	WP0210516SD	24	64
SM5040855SN	18	45	WP0260116RZ	8	23
SM5040855SN	20	25	WP0260116RZ	34	18
SM5040855SN	22	44	WP0310516RZ	30	42
SM5040855SN	26	44	WP0320501SC	34	36
SM5040855SN	28	44	WP0330816SF	12	26
SM5040855SN	30	71	WP0330816SF	16	4
SM5040855SN	32	71	WP0330816SF	36	49
SM5040855SN	34	51	WP0410516RZ	22	14
SM5040855SN	36	51	WP0410516RZ	30	23
SM5040855SN	40	14	WP0410516RZ	40	15
SM5040855SN	42	13	WP0430801SC	34	40
SM5041055SN	42	29	WP0520216RZ	42	11
SM5041055SN	48	17	WP0520516RZ	18	72
SM5041455SN	10	31	WP0520516RZ	22	29
SM5041455SN	22	42	WP0520516RZ	32	59
SM5051255SN	40	6	WP0611016RZ	20	13
SM8030312TP	2	14	WP0620516RZ	26	45
SM8030312TP	10	29	WP0620516RZ	28	45
SM8030312TP	12	66	WP0621016SD	24	80
SM8030312TP	14	66	WP1021016SD	24	50
SM8030312TP	18	49	WZ0320290UZ	12	15
SM8030312TP	20	4	WZ1052010KP	24	49
SM8030312TP	24	58			
SM8030312TP	30	52			
SM8030312TP	32	52			
SM8030312TP	38	23			
SM8030612TP	22	41			
SM8030612TP	42	5			
SM8040412TP	12	20			
SM8040412TP	22	75			
SM8040412TP	24	75			
SM8040412TP	26	34			
SM8050512TP	10	37			
SM8050602TP	16	20			
ST5030851SN	2	37			
ST5030851SN	14	58			