

MODEL : HZL-Fseries /QM Series
List No : 6016-08

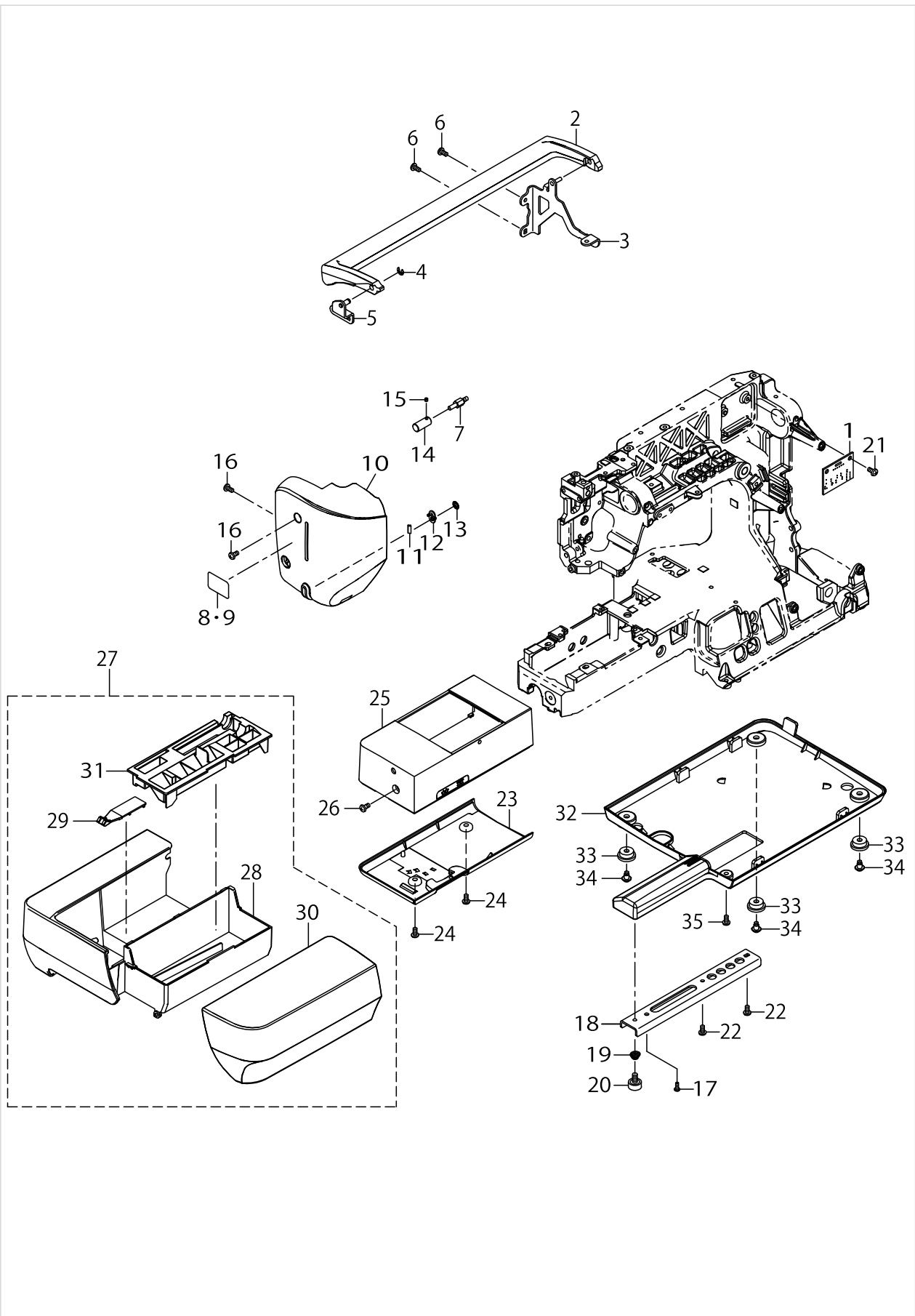
PARTS LIST

Published:05/12/2017

CONTENTS

FRAME MISCELLANEOUS COVER COMPONENTS (1).....	1
FRAME MISCELLANEOUS COVER COMPONENTS (2).....	3
THROAT PLATE COMPONENTS.....	9
UPPER SHAFT & TAKE UP COMPONENTS.....	11
NEEDLE BAR & NEEDLE THREADER COMPONENTS.....	13
PRESSER MECHANISM & NEEDLE THROWING COMPONENTS.....	17
FEED MECHANISM COMPONENTS.....	21
LOWER SHAFT & HOOK COMPONENTS.....	27
THREAD TRIMMER COMPONENTS.....	31
THREAD TENSION COMPONENTS.....	35
BOBBIN WINDER COMPONENTS.....	39
KNEE LIFTER COMPONENTS.....	41
POWER SUPPLY & MAIN MOTOR COMPONENTS.....	43
ACCESSORY PARTS COMPONENTS.....	45
PACKING MATERIAL COMPONENTS.....	49
OPTIONAL ACCESSORY PARTS COMPONENTS.....	51
HOW TO MAKE USE OF THIS PARTS LIST.....	53

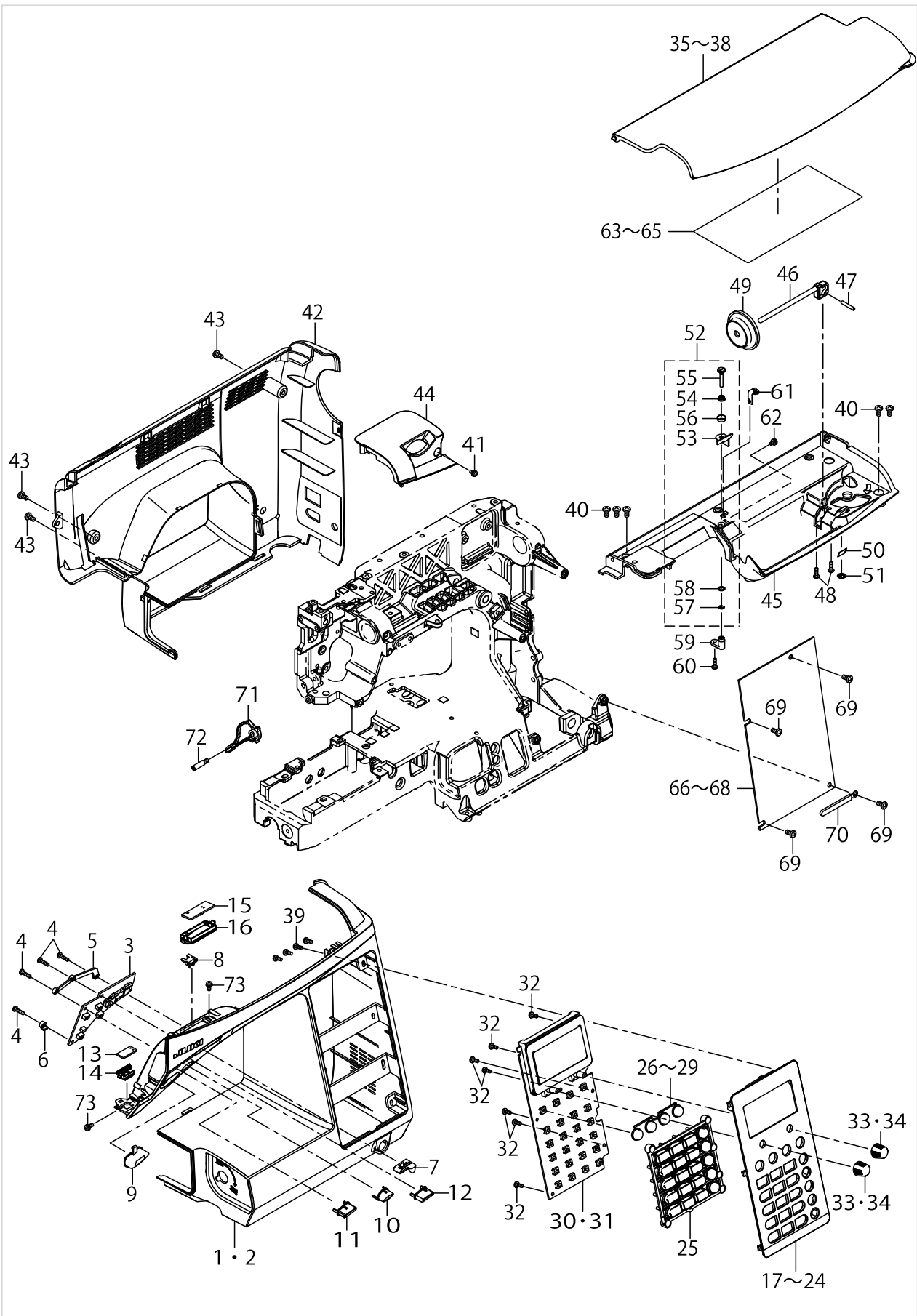
FRAME MISCELLANEOUS COVER COMPONENTS (1)



FRAME MISCELLANEOUS COVER COMPONENTS (1)

No.	Supply Code	Parts No.	Replacement	Parts name	Remarks	Choice	Step	Level	Cons	Qty	Rep. QTY
1		40056554		ASSY SYNC CIRCUIT BOARD						1	
2		40059249		HANDLE						1	
3		40107895		HANDLE_BRACKET_ASSY						1	
4		RE040000K0		E-RING 4						1	
5		40062500		HANDLE BRACKET L ASSY						1	
6		SM5040855SN		SCREW						2	
7		40065563		FACE COVER GUIDE SHAFT						1	
8		40152349		BH_SOCKET_CAUTION_LABEL						1	
9		40094758		BH_SOCKET_CAUTION_LABEL_KORIA	FOR KOR					1	
10		40059230		FACE COVER						1	
11	R	A3711010000A	40174537	TOP THREADING CUTTER		A				1	1.00
11	R	A3711010000A	40174532	TOP THREADING CUTTER		A				1	1.00
12		40072395		CUTTER HOLDER						1	
13		A3205555A00		LOCKNUT						1	
14		40070239		FACECOVERCOLLAR						1	
15		SM8030312TP		SCREW M3 L=3						1	
16		SM5040855SN		SCREW						2	
17		ST5030851SN		SCREW M5X8						1	
18		40107899		BED_REINFORCING_PLATE						1	
19		A1159770000		HEIGHT ADJUSTING SPRING						1	
20		40057991		HEIGHT ADJUSTING RUBBER						1	
21		SM5040855SN		SCREW						1	
22		SM5040855SN		SCREW						2	
23		40053685		FREE ARM LOWER COVER						1	
24		SM5040855SN		SCREW						2	
25		40053686		FREE ARM UPPER COVER						1	
26		SM5040855SN		SCREW						1	
27		40060614		ASSY AUXILIARY BED						1	
28	R	40053683	40060614	AUXILIARY BED				*		1	1.00
29		40064571		AUXILIARY BED CLICK				*		1	
30		40053684		AUXILIARY BED COVER				*		1	
31		40059209		ACCESSORY TRAY				*		1	
32		40059215		BED COVER DOMESTIC						1	
33		40057990		RUBBER WASHER						3	
34		40057922		RUBBER WASHER SCREW						3	
35		SM5040855SN		SCREW						1	

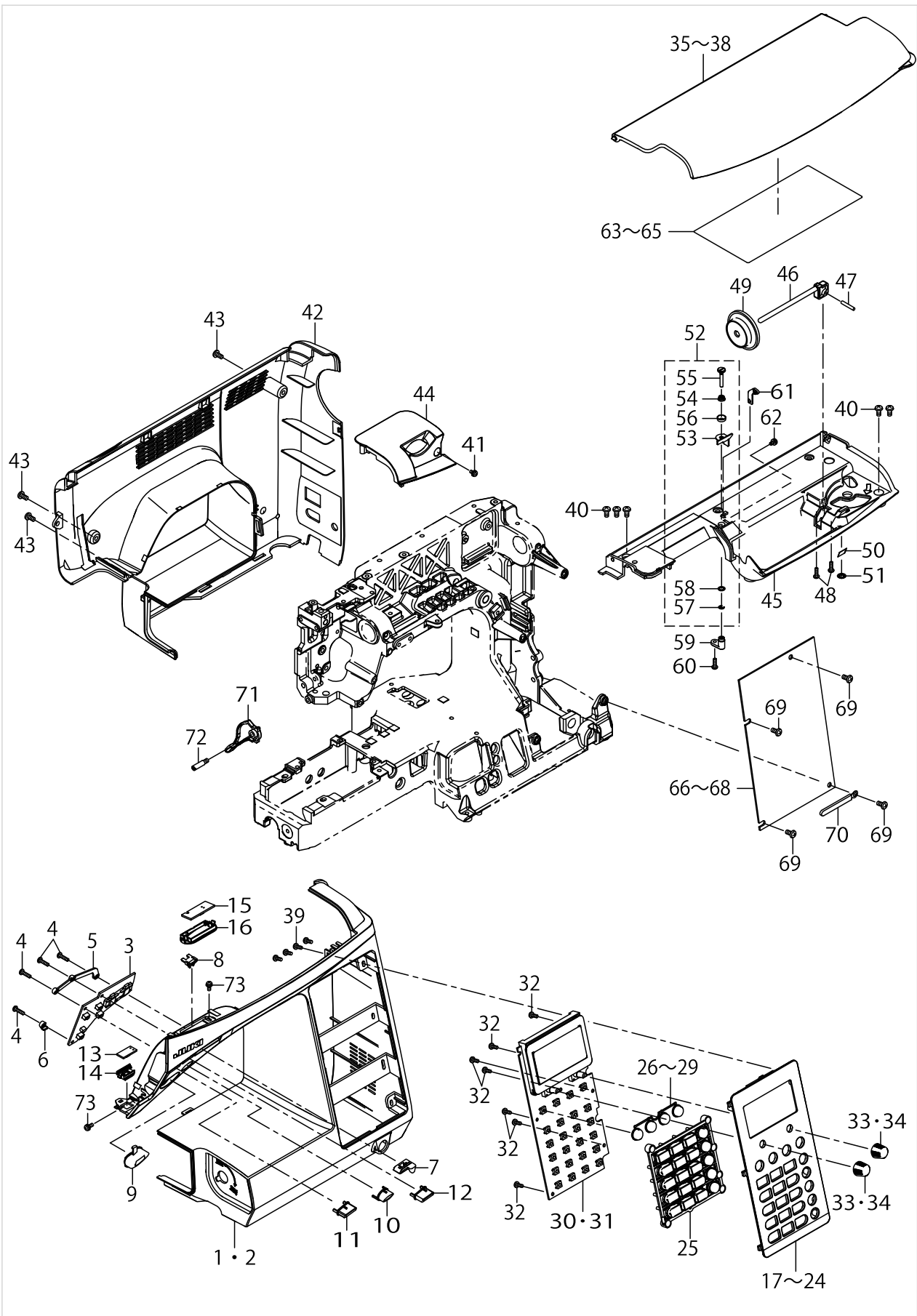
FRAME MISCELLANEOUS COVER COMPONENTS (2)



FRAME MISCELLANEOUS COVER COMPONENTS (2)

No.	Supply Code	Parts No.	Replacement	Parts name	Remarks	Choice	Step	Level	Cons	Qty	Rep. QTY
1		40059216		FRONT PANEL F600	FOR HZL-- F600,HZL-- F700,QM-900					1	
2		40059217		FRONT PANEL F400	FOR HZL-- F400,HZL-- F300, HZL-- -F500,HZL-- -F370,QM-700					1	
3		40143132		ASSY_SW/VR_CIRCUIT_BOARD						1	
4		ST5031251SF		TAPPING SCREW D=3 L=12						4	
5		40143315		CIRCUIT_BOARD_COLLAR_A						1	
6		40069736		CIRCUIT BOAD COLLAR B						1	
7		40059160		SLIDE VR						1	
8		40069623		SLIDE VR CONNECT PART						1	
9		40059161		SS BUTTON						1	
10		40059163		REVERSE BUTTON						1	
11		40059165		THREAD TRIMMER BUTTON						1	
12		40059166		HALF STITCH BUTTON						1	
13		40137570		ASSY_ON_HAND_LE- D_CIRCUIT_BOARD						1	
14		40059167		LED LAMP COVER R						1	
15		40135933		ASSY_BOSOM_LED_- CIRCUIT_BOARD	FOR HZL-- F600,HZL-- F700,QM-900					1	
16		40059168		BOSM LED COVER	FOR HZL-- F600,HZL-- F700,QM-900					1	
17		40072508		PATTERN PANEL F600 ASSY	FOR HZL-F60					1	
18		40072509		PATTERN PANEL F400 ASSY	FOR HZL-F400					1	
19		40072510		PATTERN PANEL F300 ASSY	FOR HZL-F300					1	
20		40153334		PATTERN PANEL F700 ASSY	FOR HZL-F700					1	
21		40158070		PATTERN_PANEL_F500_ASSY	FOR HZL-F500					1	
22		40158089		PATTERN_PANEL_F370_ASSY	FOR HZL-F370					1	
23		40161379		PATTERN_PANEL_QM900_ASSY	FOR QM-900					1	
24		40161397		PATTERN_PANEL_QM700_ASSY	FOR QM-700					1	
25		40059183		DIRECTBUTTONF600						1	
26		40059192		SHIFT BUTTON F600						1	
27		40059193		SHIFT BUTTON F400	FOR HZL-- F400,HZL-- F300, HZL-- -F500,HZL-F370					1	
28		40133321		SHIFT_BUTTON_F550J	FOR QM-9- 00,QM-700					1	
29		40157939		SHIFT_BUTTON_F350J	FOR QM-700					1	
30	R	40056537	40168996	ASSY PANEL CIRCUIT BOARD	FOR HZL-- F600,HZL-- F700,QM-900	A	HZL-F600 F700 QM900			1	1.00
30	R	40056537	40168986	ASSY PANEL CIRCUIT BOARD	FOR HZL-- F600,HZL-- F700,QM-900	A	HZL-F600 F700 QM900			1	1.00
30	R	40056537	40168996	ASSY PANEL CIRCUIT BOARD	FOR HZL-- F600,HZL-- F700,QM-900	B	HZL-F600JP FQ65			1	1.00
30	R	40056537	40168989	ASSY PANEL CIRCUIT BOARD	FOR HZL-- F600,HZL-- F700,QM-900	B	HZL-F600JP FQ65			1	1.00

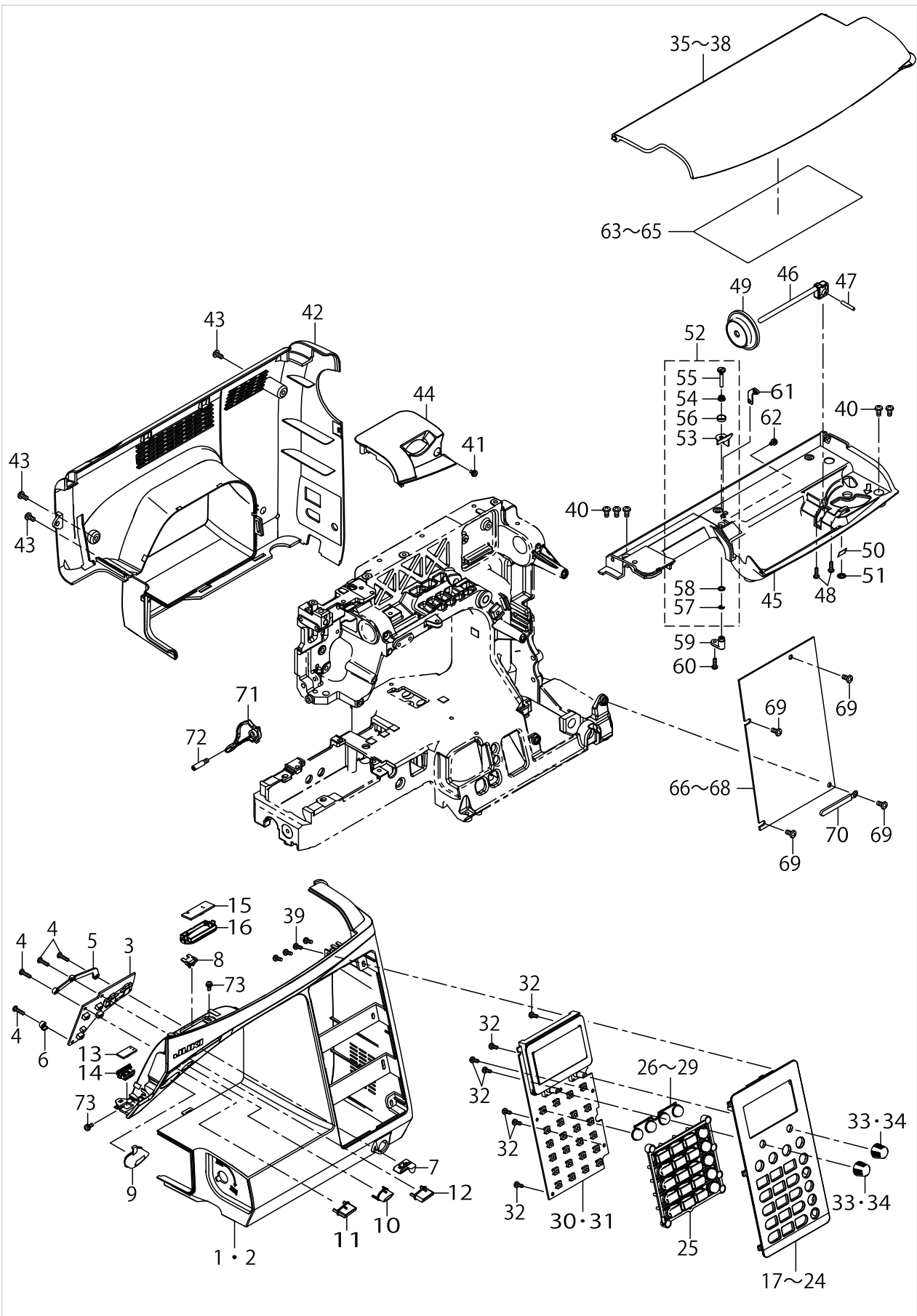
FRAME MISCELLANEOUS COVER COMPONENTS (2)



FRAME MISCELLANEOUS COVER COMPONENTS (2)

No.	Supply Code	Parts No.	Replacement	Parts name	Remarks	Choice	Step	Level	Cons	Qty	Rep. QTY
31	R	40058655	40168987	ASSY PANEL CIRCUIT BOARD	FOR HZL-- F400,HZL-- F300, HZL-- -F500,HZL-- -F370,QM-700	A	HZL-F400 F500 QM70- 0 F300 F370			1	1.00
31	R	40058655	40168997	ASSY PANEL CIRCUIT BOARD	FOR HZL-- F400,HZL-- F300, HZL-- -F500,HZL-- -F370,QM-700	A	HZL-F400 F500 QM70- 0 F300 F370			1	1.00
31	R	40058655	40168997	ASSY PANEL CIRCUIT BOARD	FOR HZL-- F400,HZL-- F300, HZL-- -F500,HZL-- -F370,QM-700	B	HZL-FQ65 F400JP			1	1.00
31	R	40058655	40168990	ASSY PANEL CIRCUIT BOARD	FOR HZL-- F400,HZL-- F300, HZL-- -F500,HZL-- -F370,QM-700	B	HZL-FQ65 F400JP			1	1.00
31	R	40058655	40168997	ASSY PANEL CIRCUIT BOARD	FOR HZL-- F400,HZL-- F300, HZL-- -F500,HZL-- -F370,QM-700	C				1	1.00
31	R	40058655	40168994	ASSY PANEL CIRCUIT BOARD	FOR HZL-- F400,HZL-- F300, HZL-- -F500,HZL-- -F370,QM-700	C				1	1.00
32		ST5030851SN		SCREW M5X8						7	
33		40084595		ADJUSTING DIAL	FOR HZL-- F600,HZL-F700					2	
34		40107462		ADJUSTING_DIAL_F550J	FOR QM-900					2	
35		40059244		ARM COVER MATERIAL						1	
36		40120173		ARM_COVER_FQ65_MATERIAL	FOR HZL-- F700,HZL-- F500,HZL-F370					1	
37		40161384		ARM_COVER_QM900	FOR QM-900					1	
38		40161402		ARM_COVER_QM700	FOR QM-700					1	
39		ST5031051SN		TAPPING SCREW						4	
40		SM5040855SN		SCREW						5	
41		SL4030691SC		SCREW M3X6						1	
42		40059232		REAR PANEL FOREIGN						1	
43		SM5040855SN		SCREW						3	
44		40059245		TT COVER FOREIGN						1	
45		40059240		SPOOL COVER						1	
46		40058088		SPOOL PIN						1	
47		PH0300182C0		PARALLEL PIN						1	
48		ST5031051SN		TAPPING SCREW						2	
49		A1145E50000		SPOOL CAP						1	
50	R	A3711010000A	40174537	TOP THREADING CUTTER		A				1	1.00
50	R	A3711010000A	40174532	TOP THREADING CUTTER		A				1	1.00
51		A3205555A00		LOCKNUT						1	
52		40064572		ASSY THREAD GUIDE BASE						1	
53		40062034		THREAD GUIDE BASE				*		1	
54		A3234550000		THREAD GUIDE BASE SPRING				*		1	
55		A3235030Z00A		THREAD GUIDE DISK SHAFT				*		1	
56		A3233731000		THREAD GUIDE DISK				*		1	

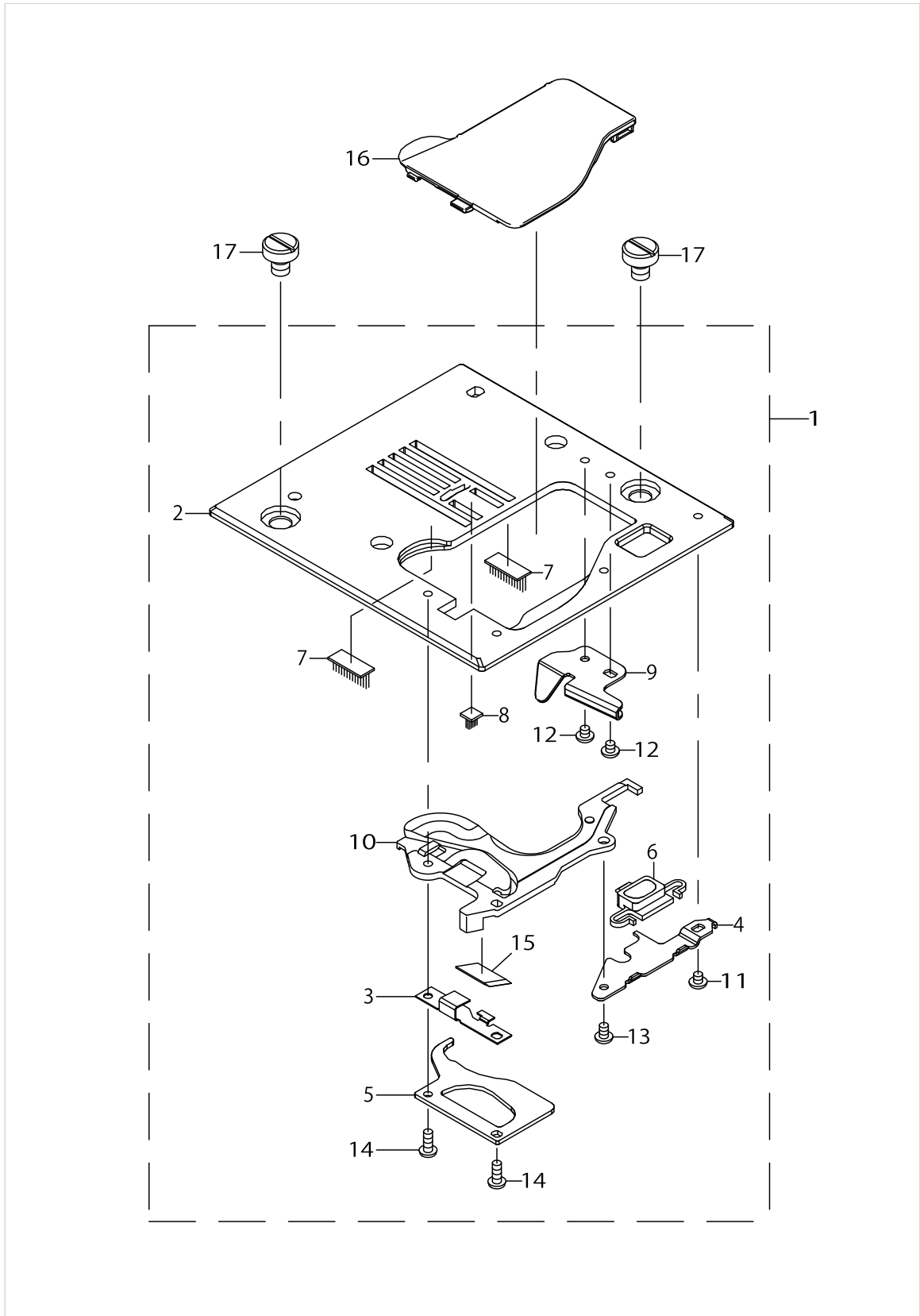
FRAME MISCELLANEOUS COVER COMPONENTS (2)



FRAME MISCELLANEOUS COVER COMPONENTS (2)

No.	Supply Code	Parts No.	Replacement	Parts name	Remarks	Choice	Step	Level	Cons	Qty	Rep. QTY
57		A3236880000		E RING				*		1	
58		A3237880000		WASHER				*		1	
59		A1139030Z00		THREAD GUIDE MOUNTING PLATE						1	
60		ST5031051SN		TAPPING SCREW						1	
61		40057397		BW THREAD GUIDE						1	
62		SL4030691SC		SCREW M3X6						1	
63		40071975		PATTERN SEAL F600	FOR HZL-- F600,HZL-- F700,QM-900					1	
64		40071977		PATTERN SEAL F400	FOR HZL-- F400,HZL-- F500,QM-700					1	
65		40071979		PATTERN SEAL F300	FOR HZL-- F300,HZL-F370					1	
66	R	40120575	40168996	ALL ASSY CPU PCB F600	FOR HZL-- F600,HZL-- F700,QM-900	A				1	1.00
66	R	40120575	40168986	ALL ASSY CPU PCB F600	FOR HZL-- F600,HZL-- F700,QM-900	A				1	1.00
67	R	40120576	40168987	ALL ASSY CPU PCB F400	FOR HZL-- F400,HZL-- F500,QM-700	A				1	1.00
67	R	40120576	40168987	ALL ASSY CPU PCB F400	FOR HZL-- F400,HZL-- F500,QM-700	A	HZL-F400 F500 QM70- 0 F300 F370			1	1.00
67	R	40120576	40168997	ALL ASSY CPU PCB F400	FOR HZL-- F400,HZL-- F500,QM-700	A	HZL-F400 F500 QM70- 0 F300 F370			1	1.00
67	R	40120576	40168997	ALL ASSY CPU PCB F400	FOR HZL-- F400,HZL-- F500,QM-700	B	HZL-FQ65 F400JP			1	1.00
67	R	40120576	40168990	ALL ASSY CPU PCB F400	FOR HZL-- F400,HZL-- F500,QM-700	B	HZL-FQ65 F400JP			1	1.00
67	R	40120576	40168997	ALL ASSY CPU PCB F400	FOR HZL-- F400,HZL-- F500,QM-700	C				1	1.00
67	R	40120576	40168994	ALL ASSY CPU PCB F400	FOR HZL-- F400,HZL-- F500,QM-700	C				1	1.00
68	R	40120577	40168997	ALL ASSY CPU PCB F300	FOR HZL-- F300,HZL-F370	A				1	1.00
68	R	40120577	40168988	ALL ASSY CPU PCB F300	FOR HZL-- F300,HZL-F370	A				1	1.00
69		SM5040855SN		SCREW						4	
70		A3811550000		CORD HOLDER						1	
71		40055401		LIFTER LEVER						1	
72		40070284		LIFTER LEVER SHAFT						1	
73		SL4030891SC		SCREW M3X8						2	

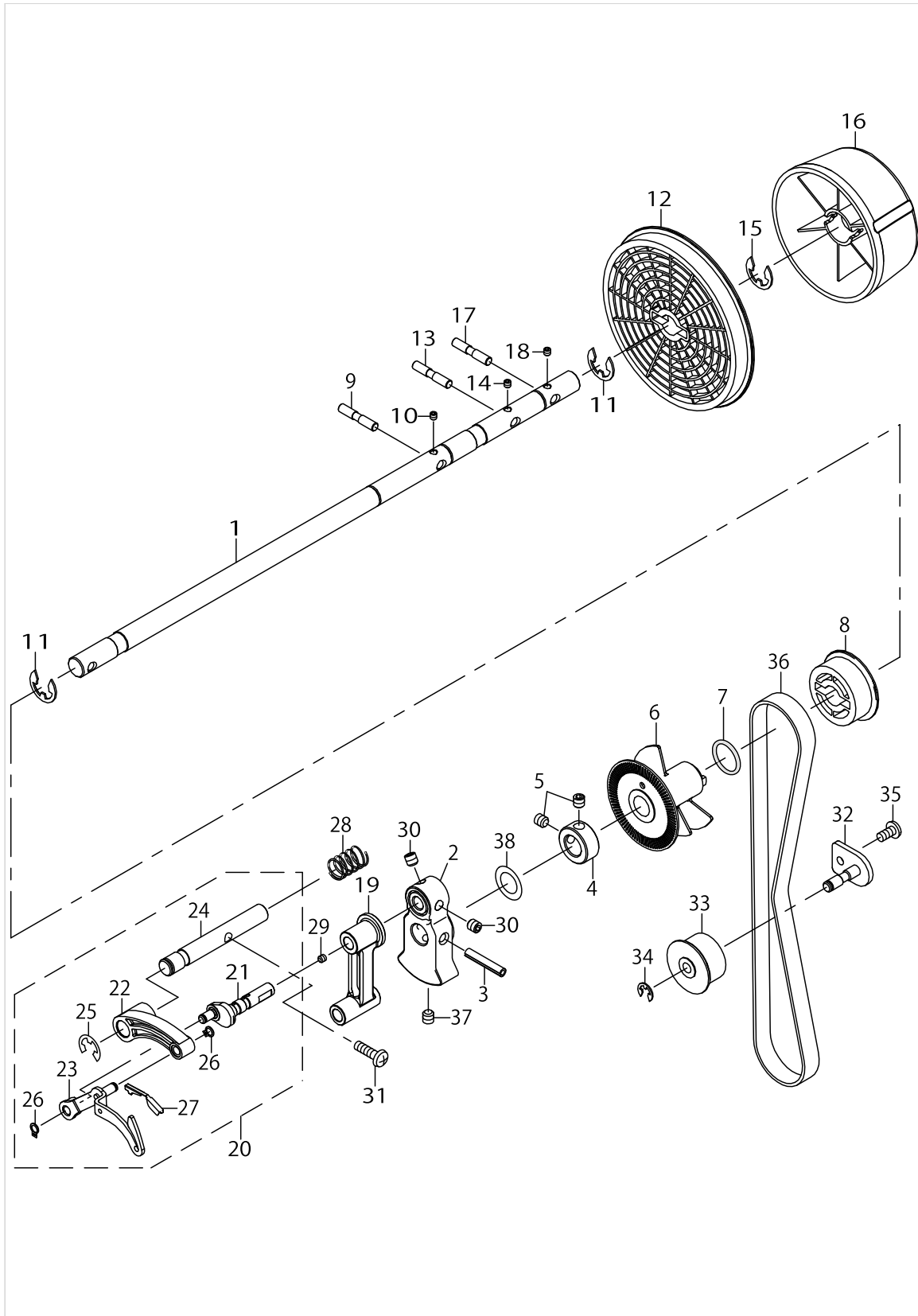
THROAT PLATE COMPONENTS



THROAT PLATE COMPONENTS

No.	Supply Code	Parts No.	Replacement	Parts name	Remarks	Choice	Step	Level	Cons	Qty	Rep. QTY
1		40079367		THROAT PLATE ASM.						1	
2	R	40053462	40162897	THROAT PLATE				*		1	1.00
3		A1111A85000		SPRING				*		1	
4		A1119010000		HOOK COVER BUTTON SUPPORT				*		1	
5		40057150		STOPPING PLATE LEFT				*		1	
6		A1114010000A		HOOK COVER OPEN/CLOSE BUTTON				*		1	
7		A1117008000		NEEDLEPLATEPILEA				*		2	
8		40064702		THROAT PLATE PILE B				*		1	
9		40065631		HOOK COVER SUPPORT PLATE				*		1	
10		A1115A85000		BOBBINCASE COVER				*		1	
11		SM4020201SC		SCREW M2 L=2				*		1	
12		SM4020201SC		SCREW M2 L=2				*		2	
13		SM4020301SC		SCREW M2X0.4 L=3				*		1	
14		SM5020501SC		SCREW M2 L=5				*		2	
15	R	A3711010000A	40174537	TOP THREADING CUTTER		A		*		1	1.00
15	R	A3711010000A	40174532	TOP THREADING CUTTER		A		*		1	1.00
16		40064685		HOOK COVER						1	
17		A1138335000		THROAT PLATE SETSCREW						2	

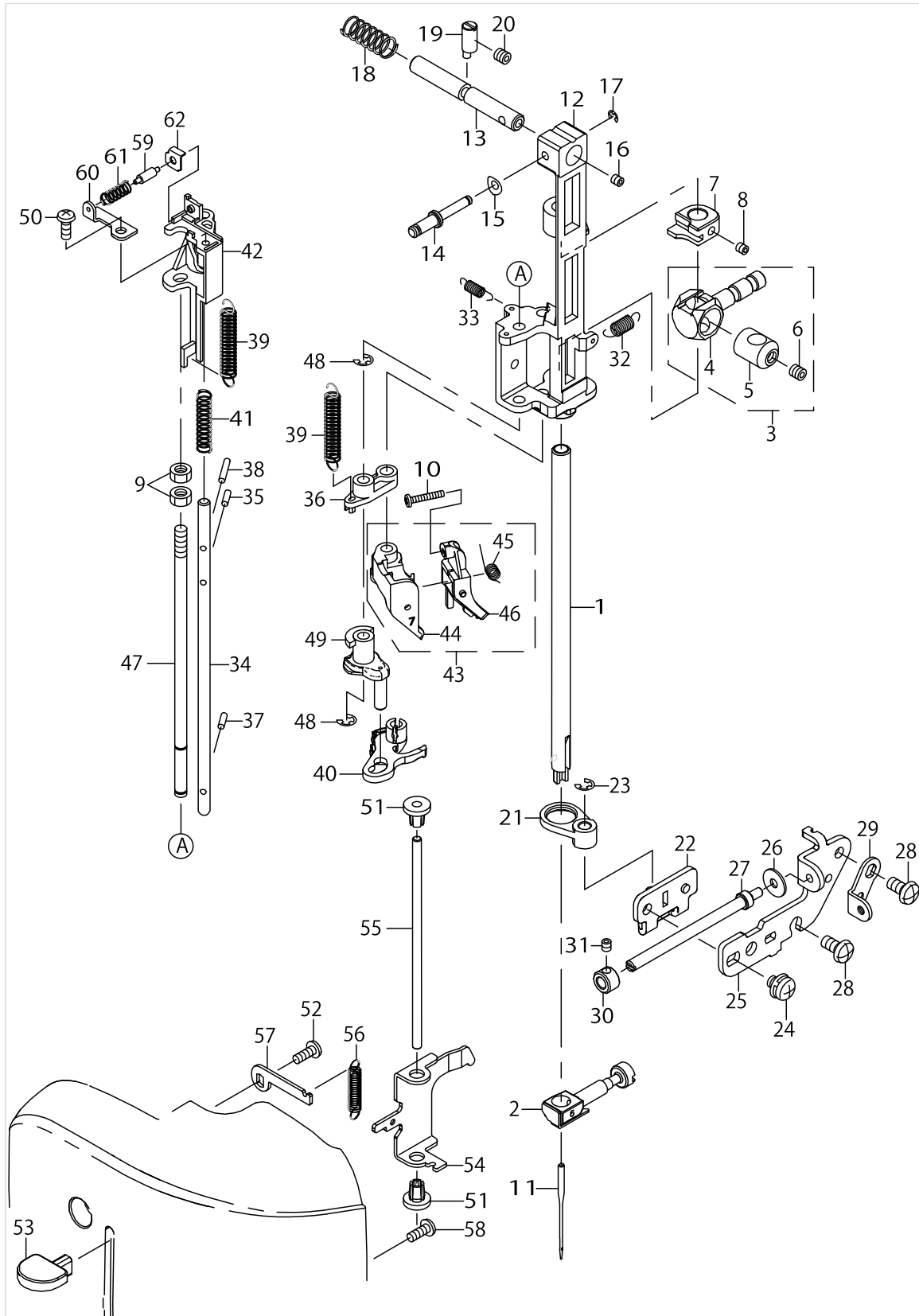
UPPER SHAFT & TAKE UP COMPONENTS



UPPER SHAFT & TAKE UP COMPONENTS

No.	Supply Code	Parts No.	Replacement	Parts name	Remarks	Choice	Step	Level	Cons	Qty	Rep. QTY
1		40107901		UPPER_SHAFT						1	
2		40053484		COUNTER WEIGHT						1	
3	R	PS0400222KP	PS0400222K0	SPRING PIN						1	1.00
4		CS1000881TP		THRUST COLLAR						1	
5		SM8050512TP		SCREW						2	
6		40053493		DETECTOR SHIELD PLATE						1	
7		RO133170100		RUBBER RING						1	
8		40055825		UPPER SHAFT PULLEY						1	
9		40053469		MOTOR PULLEY PIN						1	
10		SM8030312TP		SCREW M3 L=3						1	
11		RE0800000K0		E-RING 8						2	
12		40057983		MOTOR PULLEY						1	
13		40053469		MOTOR PULLEY PIN						1	
14		SM8030312TP		SCREW M3 L=3						1	
15		RE0800000K0		E-RING 8						1	
16		40053486		HAND WHEEL						1	
17		40053469		MOTOR PULLEY PIN						1	
18		SM8030312TP		SCREW M3 L=3						1	
19		40053487		NEEDLE BAR CRANK ROD						1	
20		40057187		TAKE UP ASSY						1	
21		40057188		NEEDLE BAR CRANK				*		1	
22		40057189		TAKE UP CRANK				*		1	
23		40057190		TAKE UP BODY ASSY				*		1	
24		40057194		TAKE UP SUPPORT SHAFT				*		1	
25		RE0600000K0		E-RING 6				*		1	
26		RC0370411KP		RETAINING RING				*		2	
27	R	40062518	40057187	TAKE UP CLICK				*		1	1.00
28		40057355		SUPPORT SHAFT SPRING						1	
29		SM8030312TP		SCREW M3 L=3						1	
30		SM8050512TP		SCREW						2	
31		SM5041455SN		SCREW						1	
32		40053479		IDLER BRACKET ASSY						1	
33		40056861		IDLER						1	
34		RE0400000K0		E-RING 4						1	
35		SM5040855SN		SCREW						1	
36		40057384		TIMING BELT						1	
37		SM8050512TP		SCREW						1	
38		A1223010000		SPRING WASHER						1	

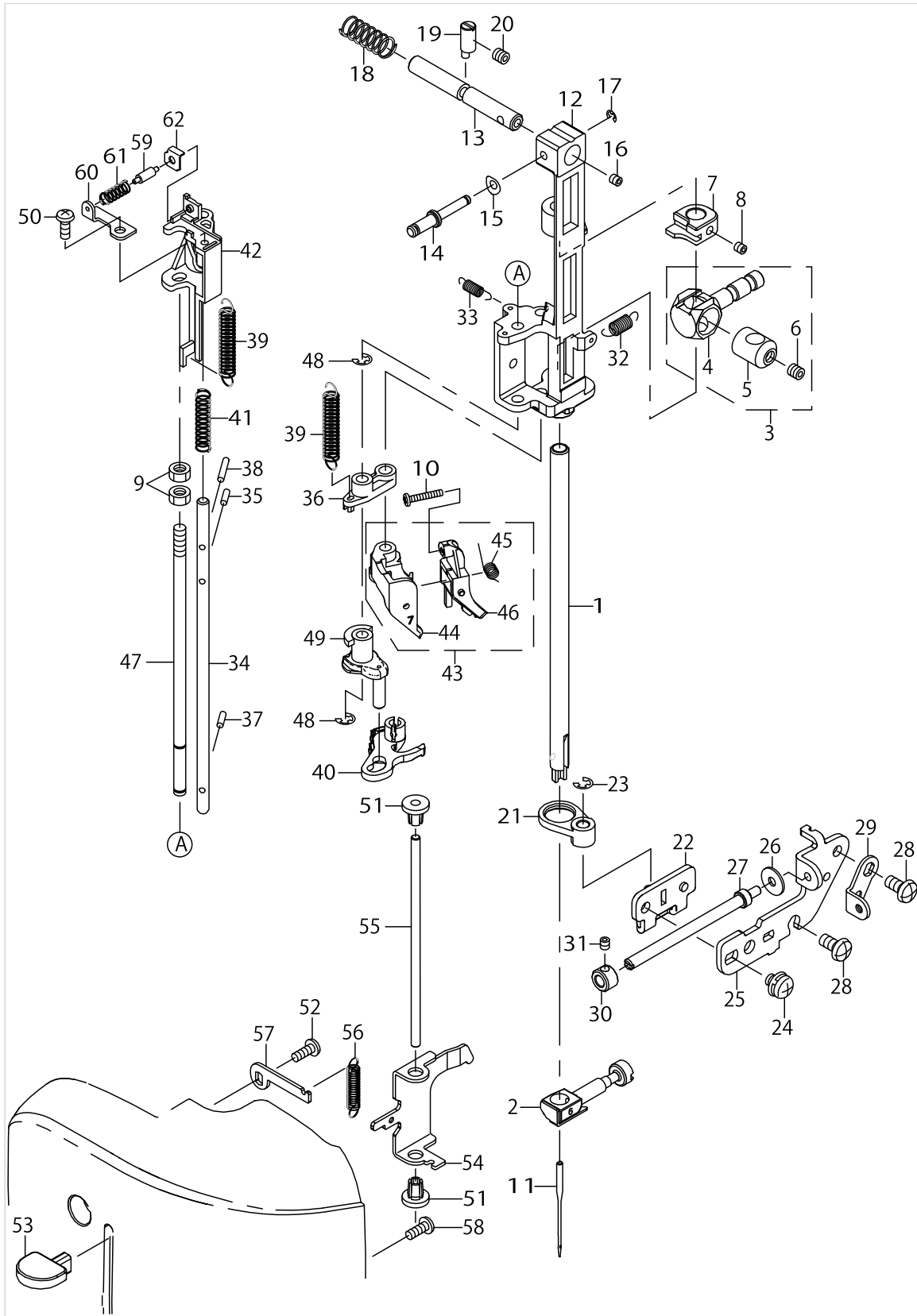
NEEDLE BAR & NEEDLE THREADER COMPONENTS



NEEDLE BAR & NEEDLE THREADER COMPONENTS

No.	Supply Code	Parts No.	Replacement	Parts name	Remarks	Choice	Step	Level	Cons	Qty	Rep. QTY
1		40108579		ASSY NEEDLE BER						1	
2		40121860		ASSY_NEEDLE_CLAMP_F						1	
3		40053490		ASSY NEEDLE BAR CONNECTION						1	
4	R	40053491	40053490	NEEDLE BAR CONNECTION				*		1	1.00
5		A1412010000		NEEDLE BAR CONNECTION INNER				*		1	
6		SM8040412TP		SET SCREW M4 L=4				*		1	
7		40055819		TP NEEDLE BAR GUIDE						1	
8		SM8030312TP		SCREW M3 L=3						1	
9		NM6040002SF		NUT M4						2	
10		SM5020855SN		SCREW M2 L=8						1	
11		MHA100B1400		NEEDLE 130/705H#90						1	
12		40053496		NEEDLE BAR FRAME						1	
13		40053497		NEEDLE BAR FRAME SHAFT						1	
14		40053498		NB FRAME FULCRUM SHAFT						1	
15		WZ0320290UZ		WASHER 3.2X6.5X0.15						1	
16		SM8030312TP		SCREW M3 L=3						1	
17		RE0200000K0		E-RING						1	
18		40056970		NB FRAME SHAFT SPRING						1	
19		A1427010000A		NB FRAME ADJUST SHAFT						1	
20		SM8040412TP		SET SCREW M4 L=4						1	
21		40053516		NB FRAME CONTROL ARM						1	
22		40053517		NB LATERAL ADJUST PLATE ASSY						1	
23		RE0300000K0		E-RING 3						1	
24		SL4040691SC		SCREW M4 L=6						1	
25		40055989		FACE PLATE FIXING PLATE						1	
26		WP0330816SF		WASHER 3.25X10X0.8						1	
27		40062407		FACE COVER SHAFT						1	
28		SM5040855SN		SCREW						2	
29		40055831		FRONT PANEL FIXING PLATE						1	
30		A1617030000		THRUST COLLAR						1	
31		SM8030312TP		SCREW M3 L=3						1	
32		40056945		NEEDLE BAR FRAME SPRING						1	
33		40071728		NEEDLE BAR FRAME SPRING LOWER						1	
34		40098262		TP SHAFT						1	
35		A1458A85000		HOOK HOLDER PIN						1	
36		40108612		LINK BASE						1	
37		A1458A85000		TP SHAFT PIN SMALL						1	
38		40055811		TP SHAFT PIN LARGE						1	
39		40055812		TP CAM SPRING						2	
40		40055813		TP HOOK HOLDER ASSY						1	
41		40055827		TP SHAFT SPRING						1	
42		40098264		TP CAM						1	
43		40108609		ASSY ASSIST HOOK						1	
44	R	40108610	40108609	ASSIST HOOK				*		1	1.00
45		40055828		CLIP SPRING				*		1	

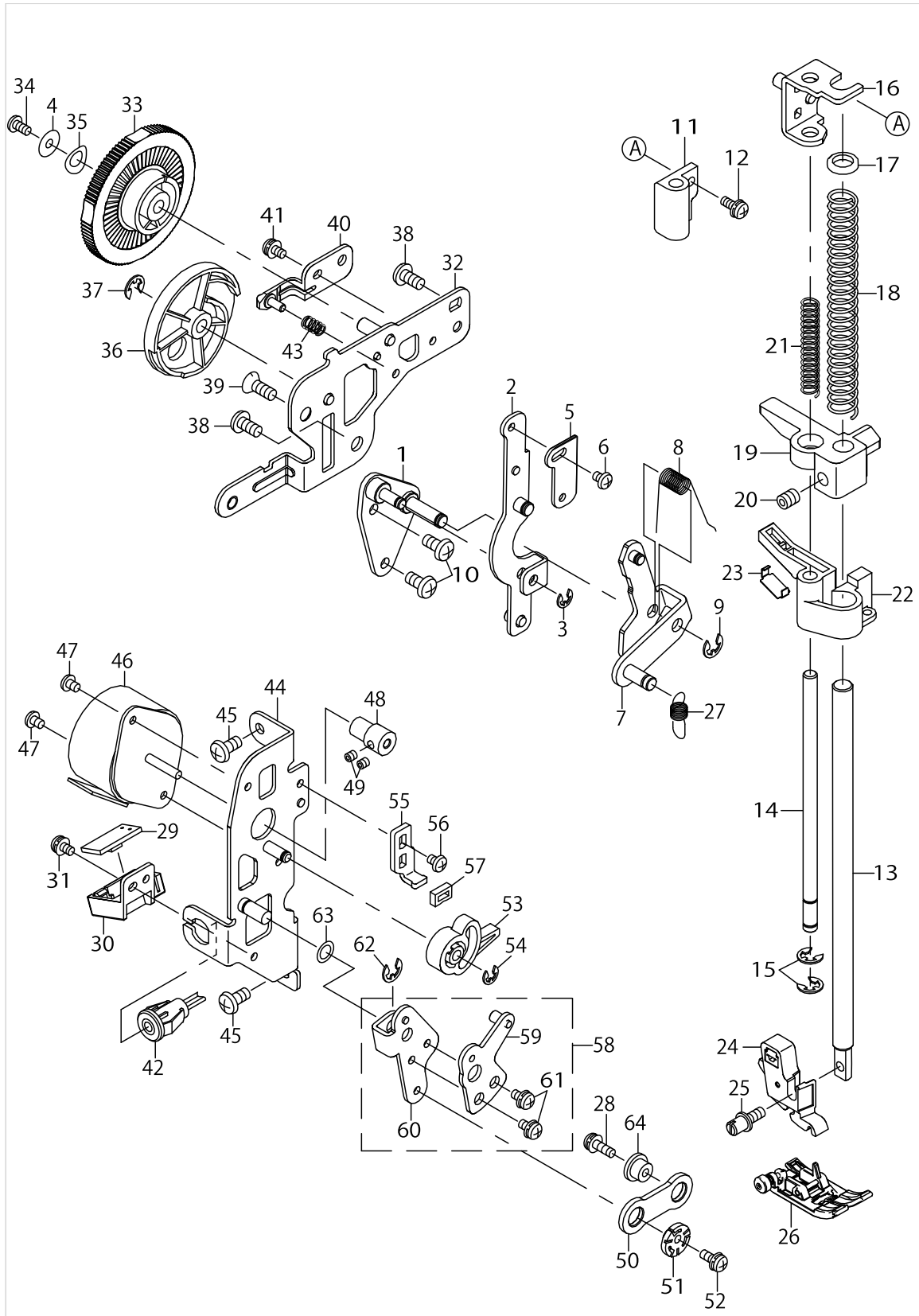
NEEDLE BAR & NEEDLE THREADER COMPONENTS



NEEDLE BAR & NEEDLE THREADER COMPONENTS

No.	Supply Code	Parts No.	Replacement	Parts name	Remarks	Choice	Step	Level	Cons	Qty	Rep. QTY
46	R	40051255	40108609	TENSION CLIP				*		1	1.00
47		40098263		GUIDE SHAFT						1	
48		RE0300000K0		E-RING 3						2	
49		40108611		DRIVING GEAR						1	
50		ST5030851SN		SCREW M5X8						1	
51		40079178		TP LEVER BUSH						2	
52		ST5030851SN		SCREW M5X8						1	
53		40055821		TP HANDLE						1	
54		40098265		TP LEVER						1	
55		40055822		TP LEVER SHAFT						1	
56		40055823		TP LEVER SPRING						1	
57		40055824		TP LEVER SUPPORT						1	
58		ST5030851SN		SCREW M5X8						1	
59		40098266		TP CLICK SHAFT						1	
60		40098267		TP CLICK BASE						1	
61		40098268		TP CLICK SPRING						1	
62		40098269		TP CLICK PLATE						1	

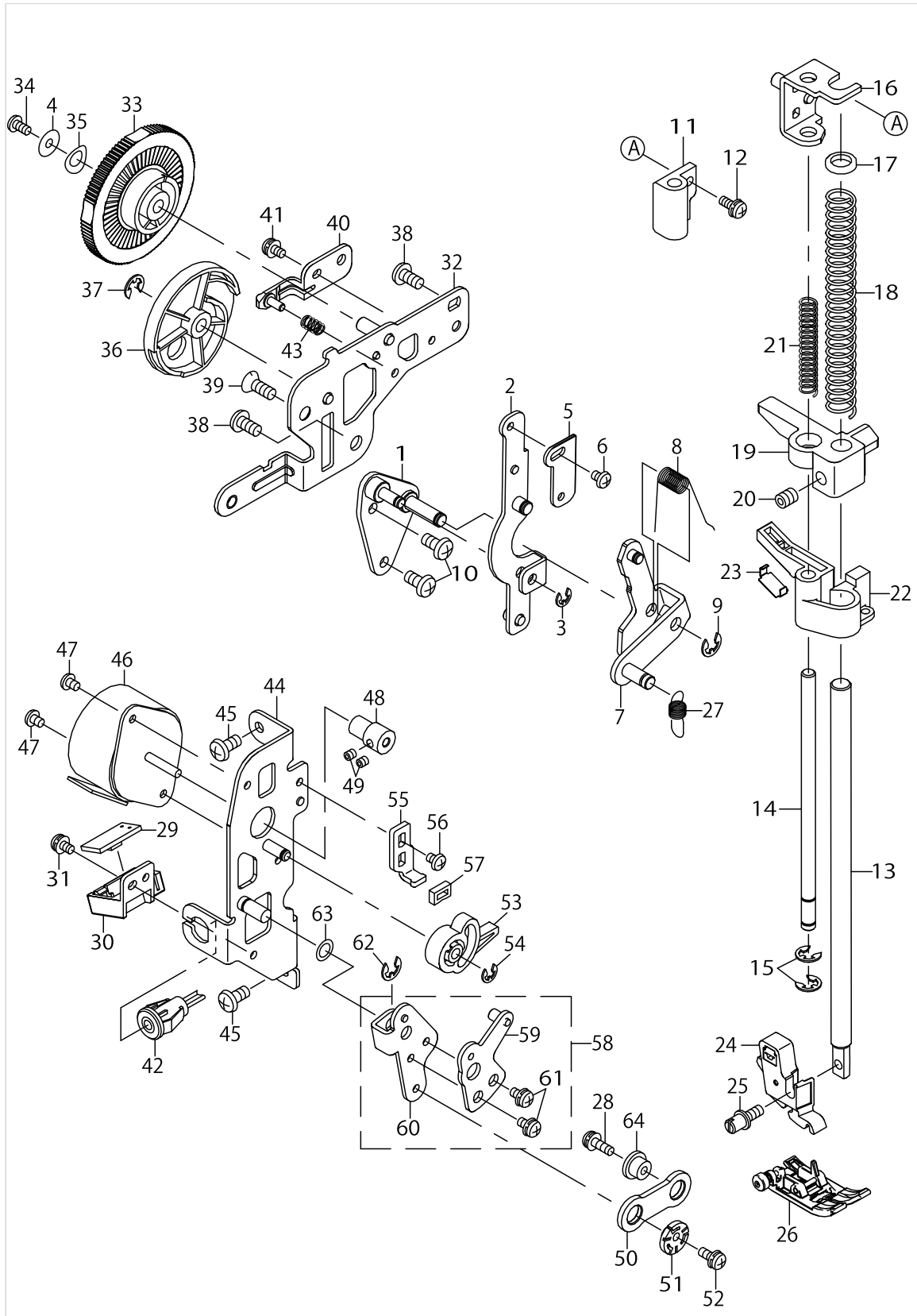
PRESSER MECHANISM & NEEDLE THROWING COMPONENTS



PRESSER MECHANISM & NEEDLE THROWING COMPONENTS

No.	Supply Code	Parts No.	Replacement	Parts name	Remarks	Choice	Step	Level	Cons	Qty	Rep. QTY
1		40055391		TENSION RELEASE BASE ASSY						1	
2		40055387		TENSION RELEASE PLATE ASSY						1	
3		RE0300000K0		E-RING 3						1	
4		WP0330816SF		WASHER						1	
5		40055395		TR ADJUST PLATE						1	
6		SM5030455SF		SCREW M3 L=4						1	
7		40055557		KNEE LIFTER PLATE ASSY						1	
8		40056969		KNEE LIFTER PLATE SPRING						1	
9		RE0400000K0		E-RING 4						1	
10		SM5040855SN		SCREW						2	
11		40076391		SUB SPRING HOLDER						1	
12		SL4030891SC		SCREW M3X8						1	
13		40055402		PRESSER BAR						1	
14		40055403		PF GUIDE BAR						1	
15		RE0400000K0		E-RING 4						2	
16		40055409		PRESSER ADJUST PLATE ASSY						1	
17		40055404		PRESSER SPRING HOLDER						1	
18		40055405		PRESSER SPRING						1	
19		40055406		PRESSER BAR GUIDE						1	
20		SM8050602TP		SCREW M5 L=6						1	
21		40055412		PRESSER SUB SPRING						1	
22		40061618		PRESSER BLOCK						1	
23		40064224		PRESSER BLOCK PLATE						1	
24		40056529		ASSY PRESSER FOOT HOLDER						1	
25		40064703		PF HOLDER SCREW						1	
26		40057923		ASSY STANDARD PRESSER FOOT						1	
27		40055408		PRESSER LEVER SPRING						1	
28		SL4031091SC		SCREW M3X10						1	
29		40137772		ASSY_ON_HAND_LED_CIRCUIT_BOARD						1	
30		40056368		LED LAMP COVER L						1	
31		SL4030691SC		SCREW M3X6						1	
32		40055426		PRESSER ADJUST BASE ASSY						1	
33		40060527		PRESSER ADJUST DIAL						1	
34		SM5030655SN		SCREW M3X0.5 L=6						1	
35		A2110700000		SPRING WASHER						1	
36		40055433		PRESSER ADJUST GEAR						1	
37		RE0400000K0		E-RING 4						1	
38		SM5040855SN		SCREW						2	
39		SM1040801SN		SCREW M4X0.7 L=8						1	
40		40079605		PRESSER DIAL CLICK						1	
41		SL4030691SC		SCREW M3X6						1	
42	R	40056553	A407855000B	ASSY BH RELAY		A				1	1.00
42	R	40056553	40163191	ASSY BH RELAY		A				1	1.00
43		40079606		PRESSER DIAL CLICK SPRING						1	
44		40053500		NT STM BASE ASSY						1	
45		SM5040855SN		SCREW						2	

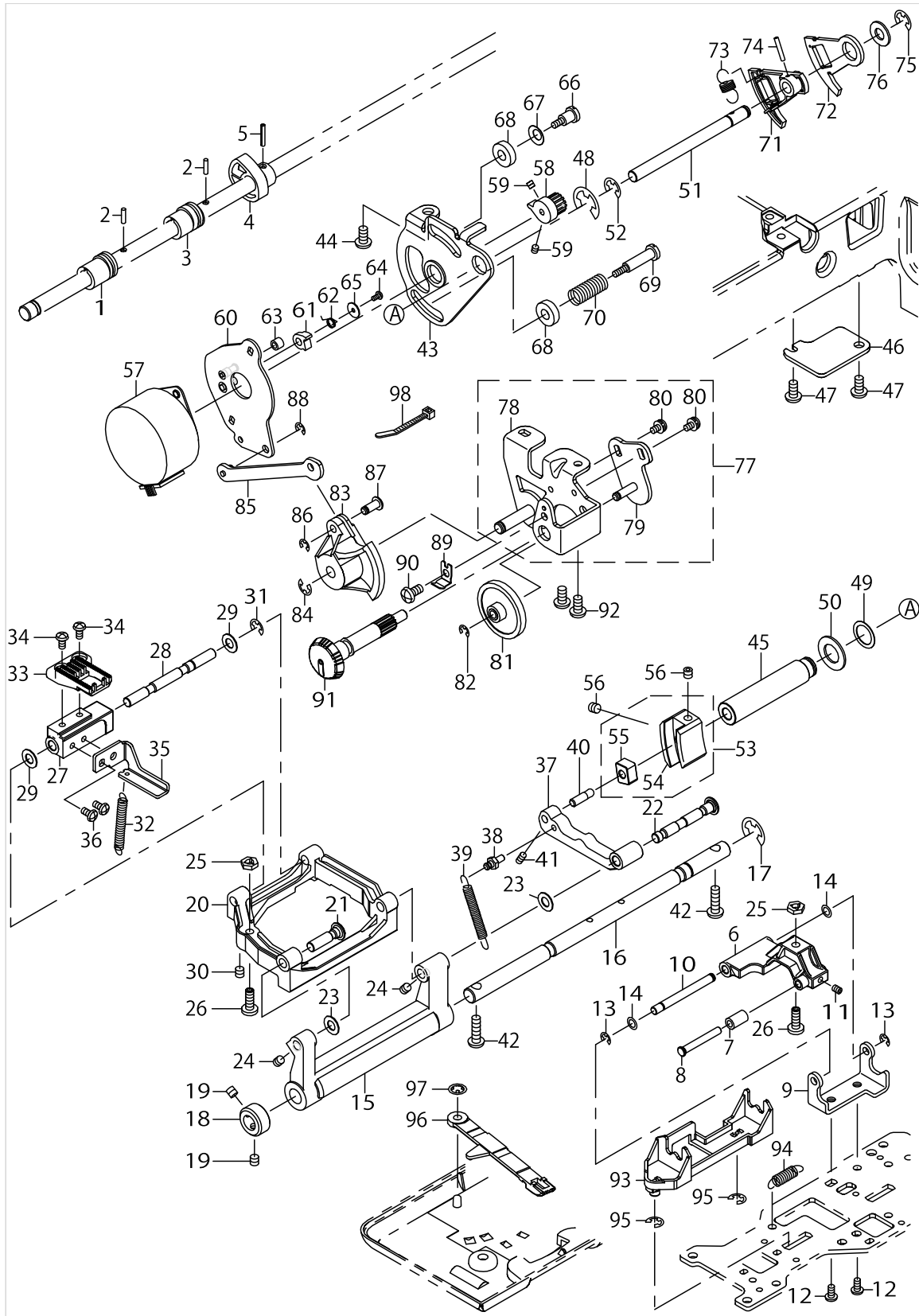
PRESSER MECHANISM & NEEDLE THROWING COMPONENTS



PRESSER MECHANISM & NEEDLE THROWING COMPONENTS

No.	Supply Code	Parts No.	Replacement	Parts name	Remarks	Choice	Step	Level	Cons	Qty	Rep. QTY
46		40056557		ASSY NT STM						1	
47		SM5030455SF		SCREW M3 L=4						2	
48		40070288		NT STM GEAR						1	
49		SM8030312TP		SCREW M3 L=3						2	
50		40053499		ROCKING ROD						1	
51		A1456008000A		LEAN CENTER SHAFT						1	
52		SL4030891SC		SCREW M3X8						1	
53		40053505		NEEDLE THROWING GEAR						1	
54		RE0400000K0		E-RING 4						1	
55		40055676		NT STM STOPPER						1	
56		SM5030655SN		SCREW M3X0.5 L=6						1	
57		A1646010000		RETRIEVAL RUBBER						1	
58		40066231		ASSY NEEDLE THROWING ARM						1	
59		40053506		NEEDLE THROWING ARM ASSY				*		1	
60		40066198		NEEDLE THROWING ADJUST ARM				*		1	
61		SL4030691SC		SCREW M3X6				*		2	
62		RE0400000K0		E-RING 4						1	
63		WP0520516RZ		WASHER						1	
64		40062144		ROCKING ROD BUSH						1	

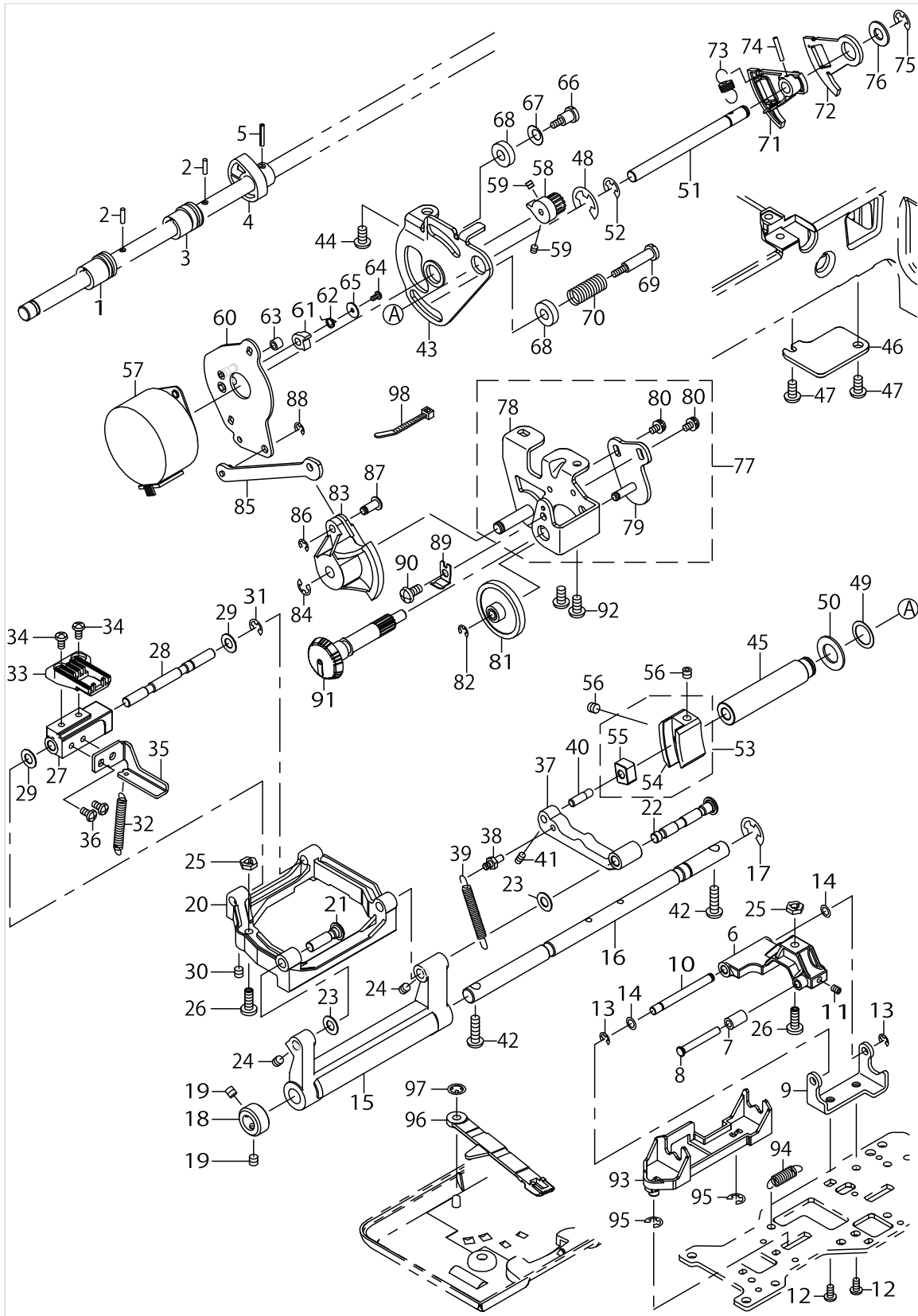
FEED MECHANISM COMPONENTS



FEED MECHANISM COMPONENTS

No.	Supply Code	Parts No.	Replacement	Parts name	Remarks	Choice	Step	Level	Cons	Qty	Rep. QTY
1		40055496		VERTICAL FEED CAM						1	
2		PS0200082KP		VF CAM STOP PIN						2	
3		40055499		VF ASSIST CAM						1	
4		40055504		HORIZONTAL FEED CAM						1	
5		PS0200122KP		SPRING PIN TYPE W 2X12						1	
6		40071970		CORRECTION ARM						1	
7		40071971		CORRECTION ROLLER						1	
8		40071972		CORRECTION ROLLER SHAFT						1	
9		40071973		CORRECTION ARM BASE						1	
10		40107914		CORRECTION_ARM_SHAFT						1	
11		SM8030612TP		SET SCREW						1	
12		SM5030655SN		SCREW M3X0.5 L=6						2	
13		RE0300000K0		E-RING 3						2	
14	R	WP0410516RZ	WP0410846SC	WASHER						2	1.00
15		40055505		HF ROCKER ARM						1	
16		40107915		HF_ROCKER_ARM_SHAFT						1	
17		RE0700000K0		E-RING 7						1	
18		A1203030000		THRUST COLLAR						1	
19		SM8040412TP		SET SCREW M4 L=4						2	
20		40055513		FEED BAR						1	
21		40107916		FEED_BAR_SHAFT_L						1	
22		40055507		FEED BAR SHAFT R						1	
23		WP0520516RZ		WASHER						2	
24		SM8040412TP		SET SCREW M4 L=4						2	
25		1.74804E+11		VF ADJUST SHAFT NUT						2	
26		40055500		VF ADJUST SHAFT						2	
27		40055502		ASSIST FEED BAR						1	
28		40107918		ASSIST_FEED_BAR_SHAFT						1	
29		WP0520516RZ		WASHER						2	
30		SM8040412TP		SET SCREW M4 L=4						1	
31		RE0400000K0		E-RING 4						1	
32		40055501		FEED BAR SPRING						1	
33	R	40055516	40107919	FEED DOG						1	1.00
34		SM5030655SN		SCREW M3X0.5 L=6						2	
35		40071969		CORRECTION PLATE						1	
36		SM5030655SN		SCREW M3X0.5 L=6						2	
37		40060607		HORIZONTAL FEED ARM						1	
38		40056010		HF ARM SPRING PIN						1	
39		40055517		HORIZONTAL FEED ARM SPRING						1	
40		A1624010000		SLIDE BLOCK SHAFT						1	
41		SM8030612TP		SET SCREW						1	
42		SM5041455SN		SCREW						2	
43		40055525		FEED STM FIXING PLATE						1	
44		SM5040855SN		SCREW						1	
45		40055520		FEED REGULATOR BUSHING						1	
46		40055519		FR BUSHING CLAMP PLATE						1	

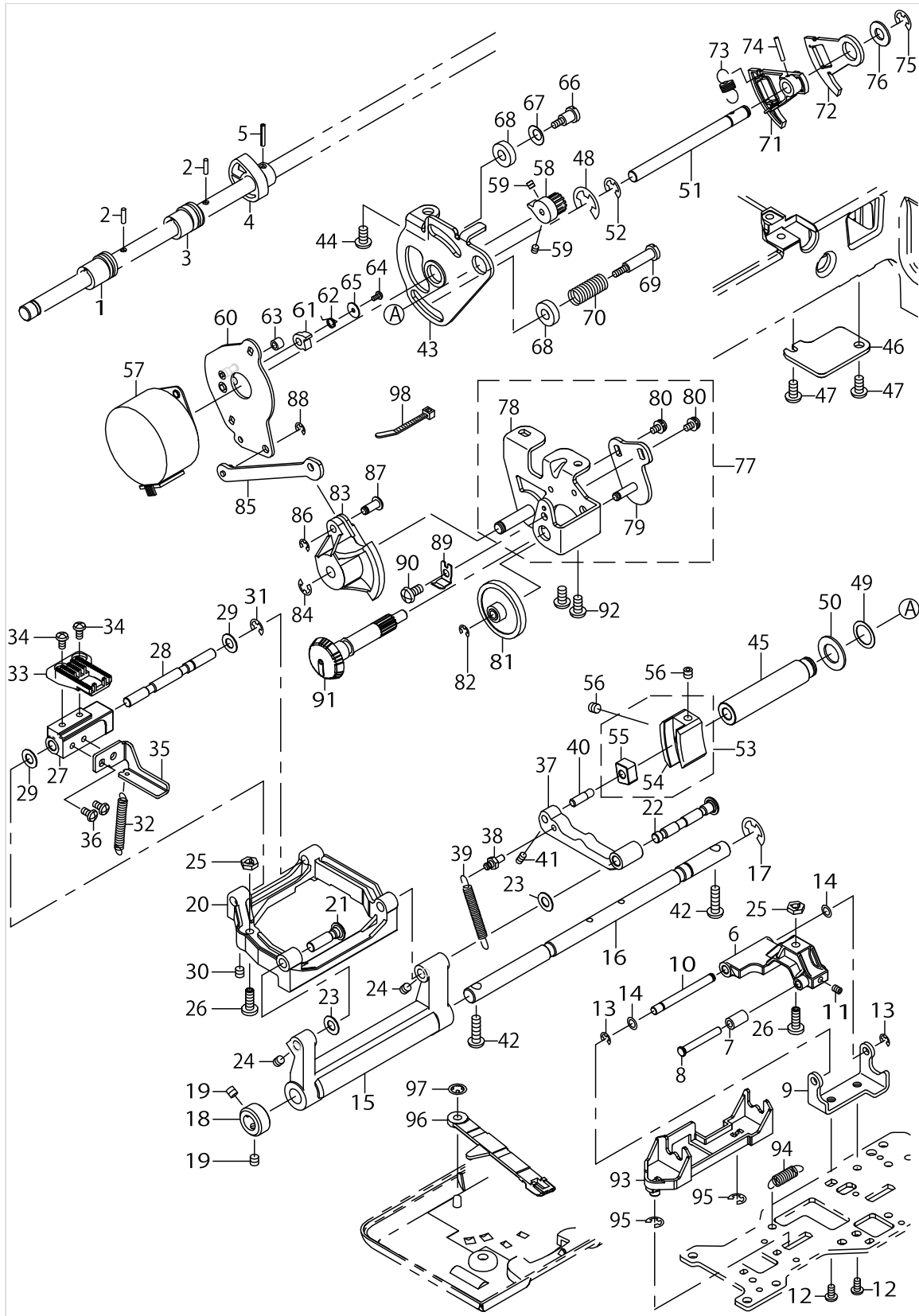
FEED MECHANISM COMPONENTS



FEED MECHANISM COMPONENTS

No.	Supply Code	Parts No.	Replacement	Parts name	Remarks	Choice	Step	Level	Cons	Qty	Rep. QTY
47		SM5040855SN		SCREW							2
48		RE0800000K0		E-SHAPED SNAP RING (8MM)							1
49		A1206535000		HANDWHEEL WASHER							1
50		WP1021016SD		WASHER							1
51		40055521		FEED REGULATOR SHAFT							1
52		RE0500000K0		E-RING							1
53		40125812		ASSY_FEED_REGULATOR							1
54		40055522		FEED_REGULATOR				*			1
55		40055524		FEED_REGULATOR_BLOCK				*			1
56		SM8040412TP		SET SCREW M4 L=4							2
57		40056558		ASSY FD STM							1
58		40055530		FEED STM GEAR							1
59		SM8030312TP		SCREW M3 L=3							2
60		40055534		FEED ADJUSTING PLATE ASSY							1
61		40055531		FEED STOPPER LEVER							1
62		40055532		FEED STOPPER SPRING							1
63		40055533		ORIGIN DETECTING RUBBER							1
64		SM4020401SC		SCREW M2 L=4							1
65		WP0250501SC		WASHER 2.5X6.5							1
66		A1650008000A		STAGE SCREW A							1
67		A2110700000		SPRING WASHER							1
68		40055539		FEED STM WASHER							2
69		A1651008000		STAGE SCREW A							1
70		A1658008000		SPRING							1
71		40055526		FEED REGULATOR GEAR A							1
72		40055527		FEED REGULATOR GEAR B							1
73		40055528		FR GEAR SPRING							1
74		PS0200122KP		SPRING PIN TYPE W 2X12							1
75		RE0500000K0		E-RING							1
76		WP0621016SD		WASHER 6.2X13X1							1
77		40066230		ASSY FEED ADJUST BASE PLATE							1
78		40055544		FEED ADJUST BASE PLATE ASSY				*			1
79		40059862		INTERMEDIATE GEAR BASE ASSY				*			1
80		SL4030891SC		SCREW M3X6				*			2
81		40055549		FA INTERMEDIATE GEAR							1
82		RE0300000K0		E-RING 3							1
83		40055548		FEED ADJUST GEAR							1
84		RE0400000K0		E-RING 4							1
85		40055540		FEED ADJUST LINK ASSY							1
86		RE0300000K0		E-RING 3							1
87		40072885		FEED ADJUST LINK PIN							1
88		RE0300000K0		E-RING 3							1
89		A1654008000		PLATE SPRING							1
90		SM5040855SN		SCREW							1
91		40055550		FEED ADJUST DIAL							1
92		SM5040855SN		SCREW							2

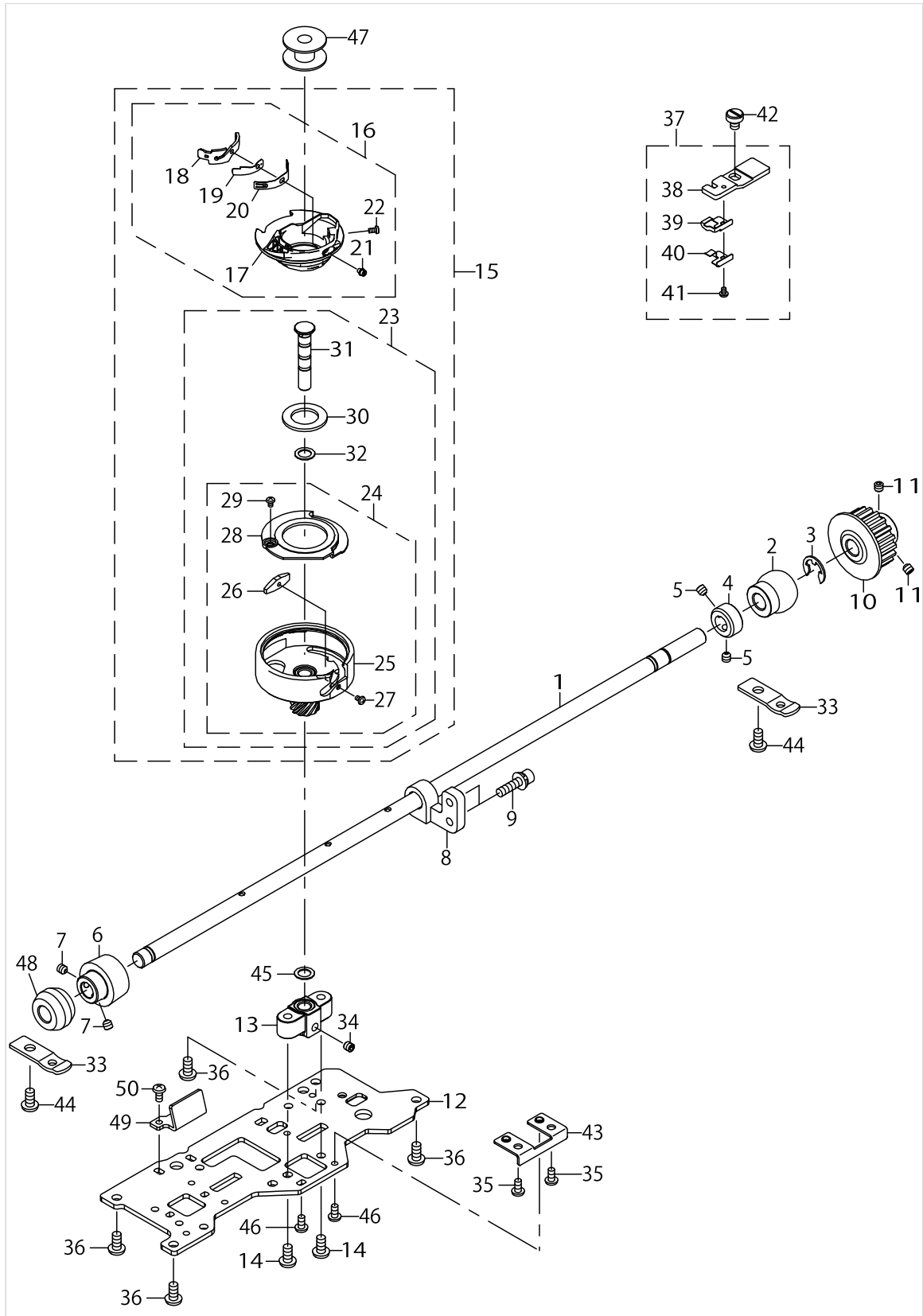
FEED MECHANISM COMPONENTS



FEED MECHANISM COMPONENTS

No.	Supply Code	Parts No.	Replacement	Parts name	Remarks	Choice	Step	Level	Cons	Qty	Rep. QTY
93		40057335		DF WORKING BODY						1	
94		40066691		DF RETURN SPRING						1	
95		RE0400000K0		E-RING 4						2	
96		40057334		DF LEVER						1	
97		A3205555A00		LOCKNUT						1	
98		A407855000B		BAND						1	

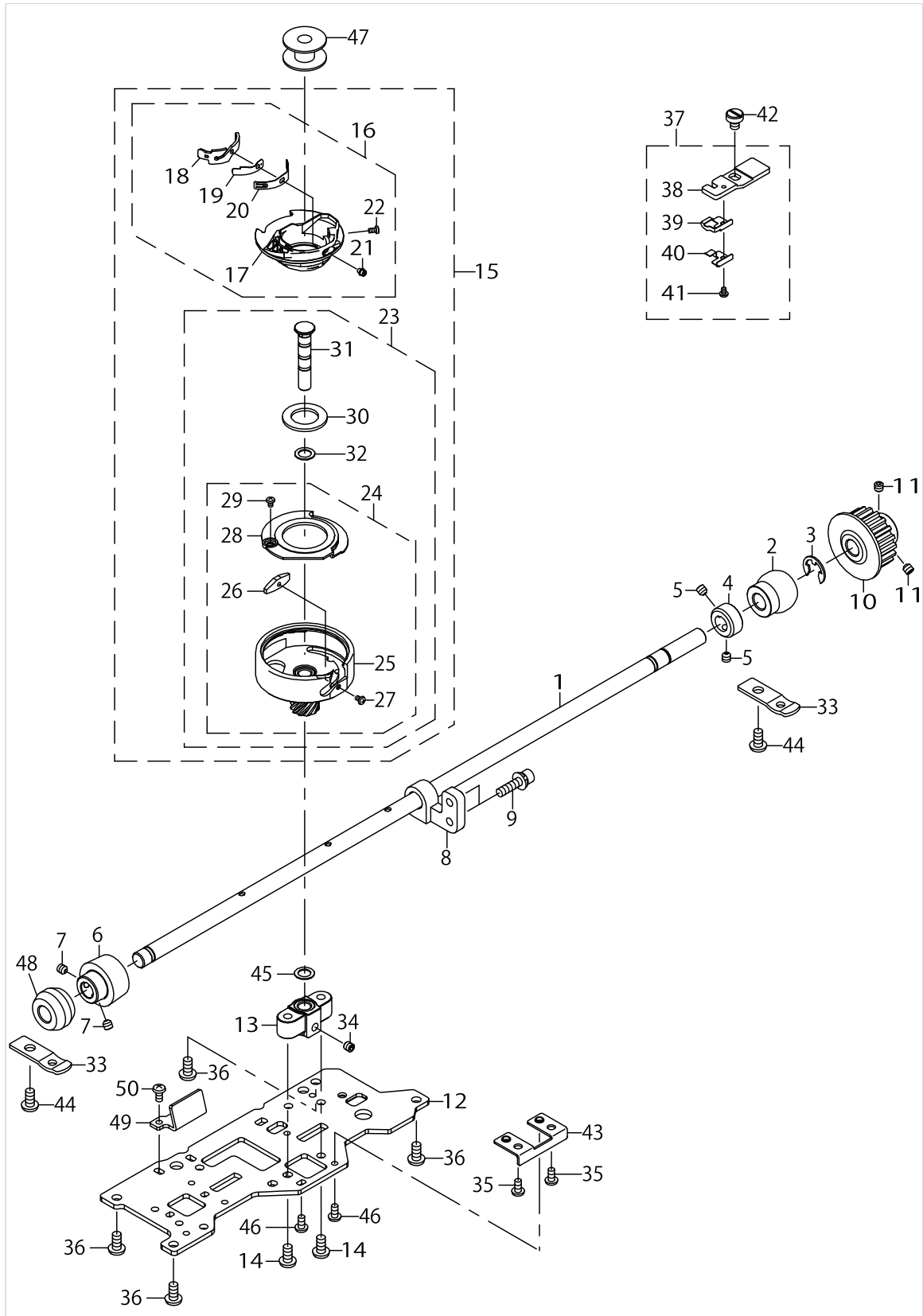
LOWER SHAFT & HOOK COMPONENTS



LOWER SHAFT & HOOK COMPONENTS

No.	Supply Code	Parts No.	Replacement	Parts name	Remarks	Choice	Step	Level	Cons	Qty	Rep. QTY
1		40107929		LOWER_SHAFT						1	
2		A1810E60000		LOWER SHAFT WELT BEARING						1	
3		RE0700000K0		E-RING 7						1	
4		A1203030000		THRUST COLLAR						1	
5		SM8040412TP		SET SCREW M4 L=4						2	
6		40099886		HOOK_DRIVING_GEAR						1	
7		SM8040412TP		SET SCREW M4 L=4						2	
8		40053495		LOWER_SHAFT_SUPPORT						1	
9		SL6041692TN		SCREW						2	
10		40055826		LOWER_SHAFT_PULLEY						1	
11		SM8040412TP		SET SCREW M4 L=4						2	
12		40145841		HOOK_BRACKET						1	
13		40053456		HOOK SHAFT BASE						1	
14		SM5040855SN		SCREW						2	
15		40081293		ALL_ASSY_HOOK						1	
16		40080420		BOBBIN_CASE_PROCESSING				*		1	
17	R	40058626	40080420	BOBBIN_CASE_MATERIAL				*		1	1.00
18		40060608		BOBBIN_CASE_THREAD_GUIDE				*		1	
19		A1840009000		LOWER THREAD ADJUSTING SPRING A				*		1	
20		A1841S56000		LOWER THREAD ADJUSTING SPRING B				*		1	
21		A1843030000		LOWER THREAD ADJUSTING SCREW				*		1	
22		A1844030000		BOBBIN CASE THREADED GUIDE SCREW				*		1	
23		A1830E800C0		HOOK ASM.				*		1	
24		A1830E800B0		HOOK ASM.				*		1	
25	R	A18300310A0	A1830T750D0A	HOOK ASM.		A	HZL-TSeries	*		1	1.00
25	R	A18300310A0	A1830E800C0	HOOK ASM.		B	HZL-Tシリーズ以外/Except HZL-TSeries	*		1	1.00
26		A1832008000		HOOK NEEDLE GUARD				*		1	
27		SM5020301SC		SCREW M2 L=3				*		1	
28		A1831031000		HOOK BASE PLATE				*		1	
29		SM5020301SC		SCREW M2 L=3				*		1	
30		A1833E50000		FELIGHT MAGNET				*		1	
31		A18090310A0		HOOK SHAFT ASM.				*		1	
32		WP0620516RZ		WASHER				*		1	
33		021112002000		LOWER SHAFT WELT BEARING PLATE						2	
34		SM8040412TP		SET SCREW M4 L=4						1	
35		SM5030655SN		SCREW M3X0.5 L=6						2	
36		SM5040855SN		SCREW						4	
37		40064997		ASSY_BOBBIN_CASE_STOPPER						1	
38		40053454		BOBBIN_CASE_STOPPER_PLATE				*		1	
39		40056975		BOBBIN_CASE_STOPPER_SPRING				*		1	
40		40056976		STOPPER_SPRING_SUPPORT				*		1	
41		SM5020301SC		SCREW M2 L=3				*		1	
42		A1138335000		THROAT PLATE SETSCREW						1	

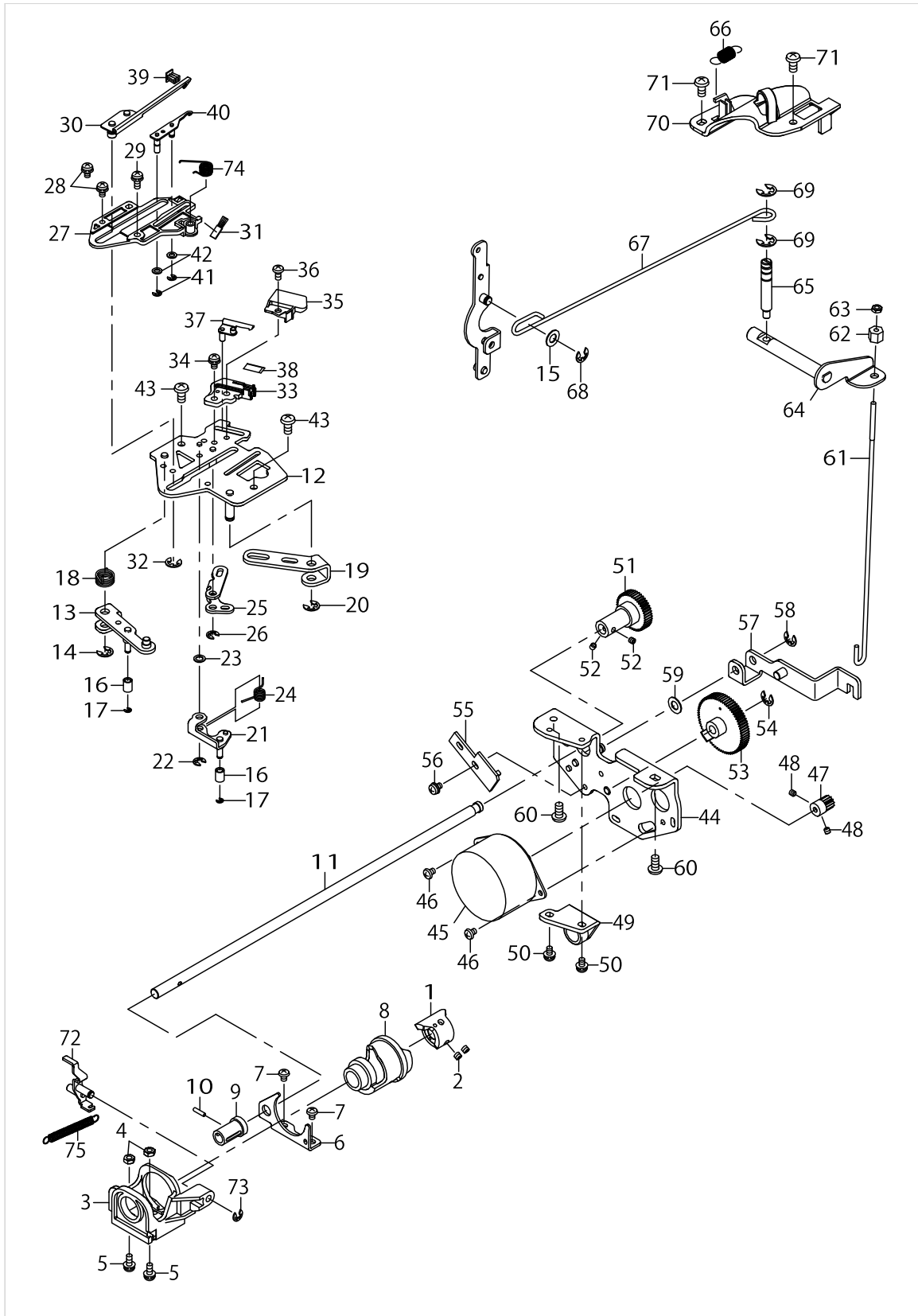
LOWER SHAFT & HOOK COMPONENTS



LOWER SHAFT & HOOK COMPONENTS

No.	Supply Code	Parts No.	Replacement	Parts name	Remarks	Choice	Step	Level	Cons	Qty	Rep. QTY
43		40076508		HOOK_BRACKET_SUPPORT						1	
44		SM5040855SN		SCREW						2	
45		WP0620516RZ		WASHER						1	
46		SM5030655SN		SCREW M3X0.5 L=6						2	
47		001141000000		BOBBIN						1	
48		041207008000		LOWER SHAFT WELT BEARING						1	
49		40145842		CAM_DRIVING_SHAFT_SUPPORT						1	
50		SM5030655SN		SCREW M3X0.5 L=6						2	

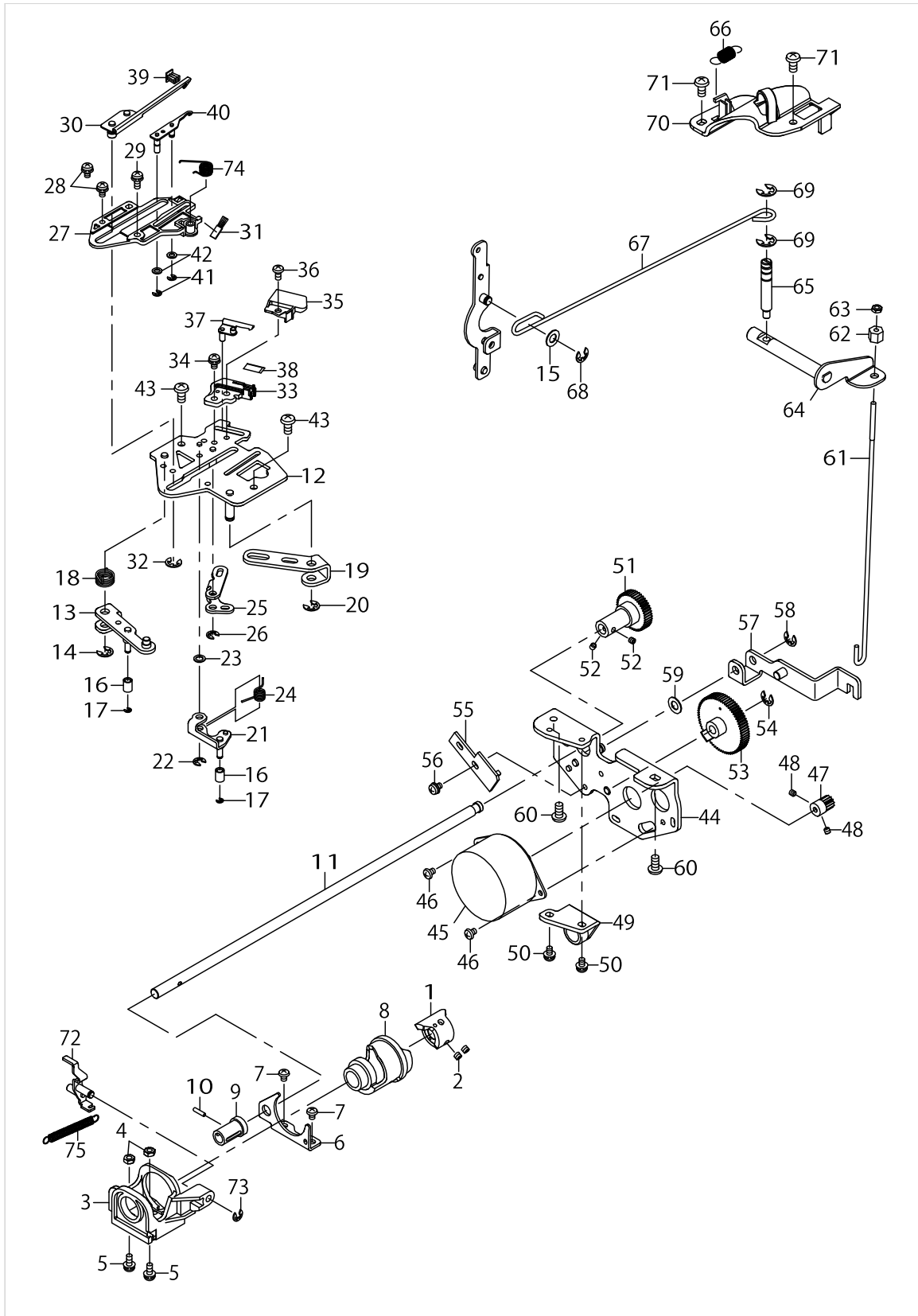
THREAD TRIMMER COMPONENTS



THREAD TRIMMER COMPONENTS

No.	Supply Code	Parts No.	Replacement	Parts name	Remarks	Choice	Step	Level	Cons	Qty	Rep. QTY
1	R	40136001	40172306	THREAD_TRIMMER_CAM						1	1.00
2		SM8030312TP		SCREW M3 L=3						2	
3		40065718		DRIVING CAM HOLDER						1	
4		NM6030002SF		NUT M3						2	
5		SL4030891SC		SCREW M3X8						2	
6		40053581		DRIVING CAM BRACKET R						1	
7		SM5030455SF		SCREW M3 L=4						2	
8		40136004		CATCHER_DRIVING_CAM						1	
9		40053586		CAM DRIVING GEAR L						1	
10		PS0200082KP		SPRING PIN TYPE W 2X8						1	
11		40053587		CAM DRIVING SHAFT						1	
12		40136005		TT_MECHANISM_BASE_ASSY						1	
13	R	40053598	40182529	CATCHER WORKING LINK ASSY						1	1.00
14		RE0400000K0		E-RING 4						1	
15		WP0520516RZ		WASHER						1	
16		40053602		LINK SHAFT ROLLER						2	
17		RE0150000K0		E-RING 1.5						2	
18		40053610		CATCHER WORKING LINK SPRING						1	
19		40053603		CATCHER LINK						1	
20		RE0400000K0		E-RING 4						1	
21	R	40053612	40182531	TT DRIVING LINK ASSY						1	1.00
22		RE0300000K0		E-RING 3						1	
23	R	WP0410516RZ	WP0410846SC	WASHER						1	1.00
24		40053611		TT DRIVING LINK SPRING						1	
25		40053616		THREAD TRIMMER LINK						1	
26		RE0300000K0		E-RING 3						1	
27		40136007		THREAD_CATCH_GUIDE						1	
28		SL4030691SC		SCREW M3X6						2	
29		SL4030891SC		SCREW M3X8						1	
30		40053604		CATCHER ASSY						1	
31		A3187010000		NEEDLE BAR FRAME BRUSH						1	
32		RE0400000K0		E-RING 4						1	
33		40136008		TT_CUTTER_BASE						1	
34		SL4030691SC		SCREW M3X6						1	
35		40136009		TT_CUTTER_COVER						1	
36		SM5030655SN		SCREW M3X0.5 L=6						1	
37		40135998		TT_CATCHER_ASSY						1	
38	R	A3711010000A	40174537	TOP THREADING CUTTER		A				1	1.00
38	R	A3711010000A	40174532	TOP THREADING CUTTER		A				1	1.00
39		40053609		THREAD KEEPING PILE						1	
40		40078681		UT HOOK ASSY						1	
41		RE0200000K0		E-RING 2						2	
42		WP0310516RZ		WASHER 3.1X5.4X0.5						2	
43		SM5040855SN		SCREW						2	
44	R	40053588	40079366	THREAD TRIMMER STM BASE ASSY						1	1.00
45		40056556		ASSY TT STM						1	

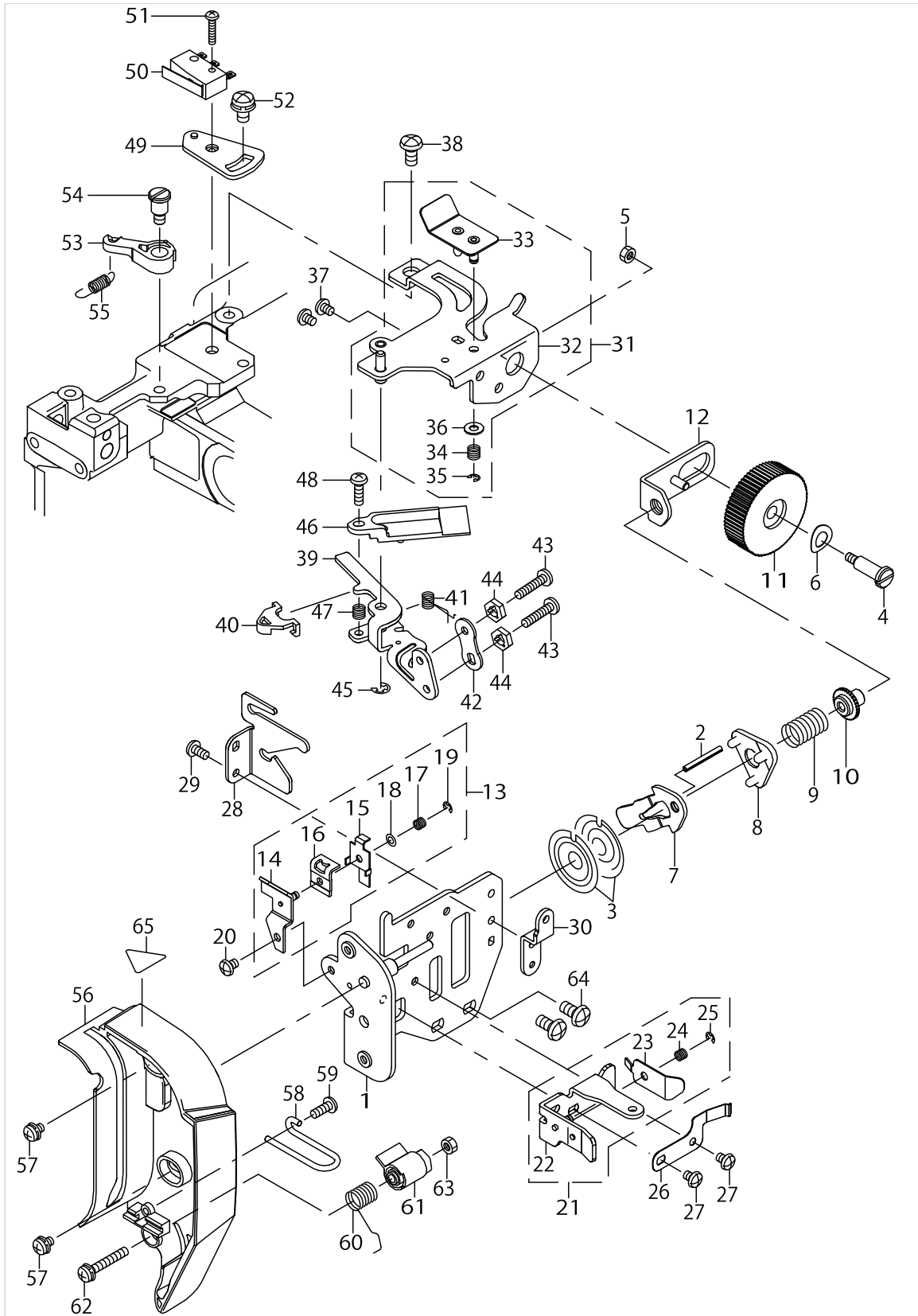
THREAD TRIMMER COMPONENTS



THREAD TRIMMER COMPONENTS

No.	Supply Code	Parts No.	Replacement	Parts name	Remarks	Choice	Step	Level	Cons	Qty	Rep. QTY
46		SM5030455SF		SCREW M3 L=4						2	
47		40067261		TT STM GEAR						1	
48		SM8030312TP		SCREW M3 L=3						2	
49		40067671		CAM DRIVING GEAR R HOLDER						1	
50		SL4030691SC		SCREW M3X6						2	
51		40053585		CAM DRIVING GEAR R						1	
52		SM8030312TP		SCREW M3 L=3						2	
53		40053584		INTERMEDIATE GEAR						1	
54		RE0400000K0		E-RING 4						1	
55		40056564		ASSY TT STM ORG CIRCUIT BOARD						1	
56		SL5030531SF		SCREW M3 L=5						1	
57		40053641		TR PLATE LOWER ASSY						1	
58		RE0400000K0		E-RING 4						1	
59		WP0520516RZ		WASHER						1	
60		SM5040855SN		SCREW						2	
61	R	40053640	40163797	TR LINK LOWER						1	1.00
62		A2444500000		NUT						1	
63		NM6860002MZ		NUT M2.6						1	
64		40053637		TR LINK PLATE ASSY						1	
65		40053632		TR CONNECT SHAFT						1	
66		40053636		TENSION RELEASE SPRING						1	
67		40053628		TR LINK UPPER						1	
68		RE0400000K0		E-RING 4						1	
69		RE0500000K0		E-RING 5						2	
70		40055796		WIRE GUIDE A						1	
71		SM5040855SN		SCREW						2	
72		40078686		UTHOOKLEVERASSY						1	
73		RE0300000K0		E-RING 3						1	
74		40078685		UT HOOK SPRING						1	
75		40078690		UT HOOK LEVER SPRING						1	

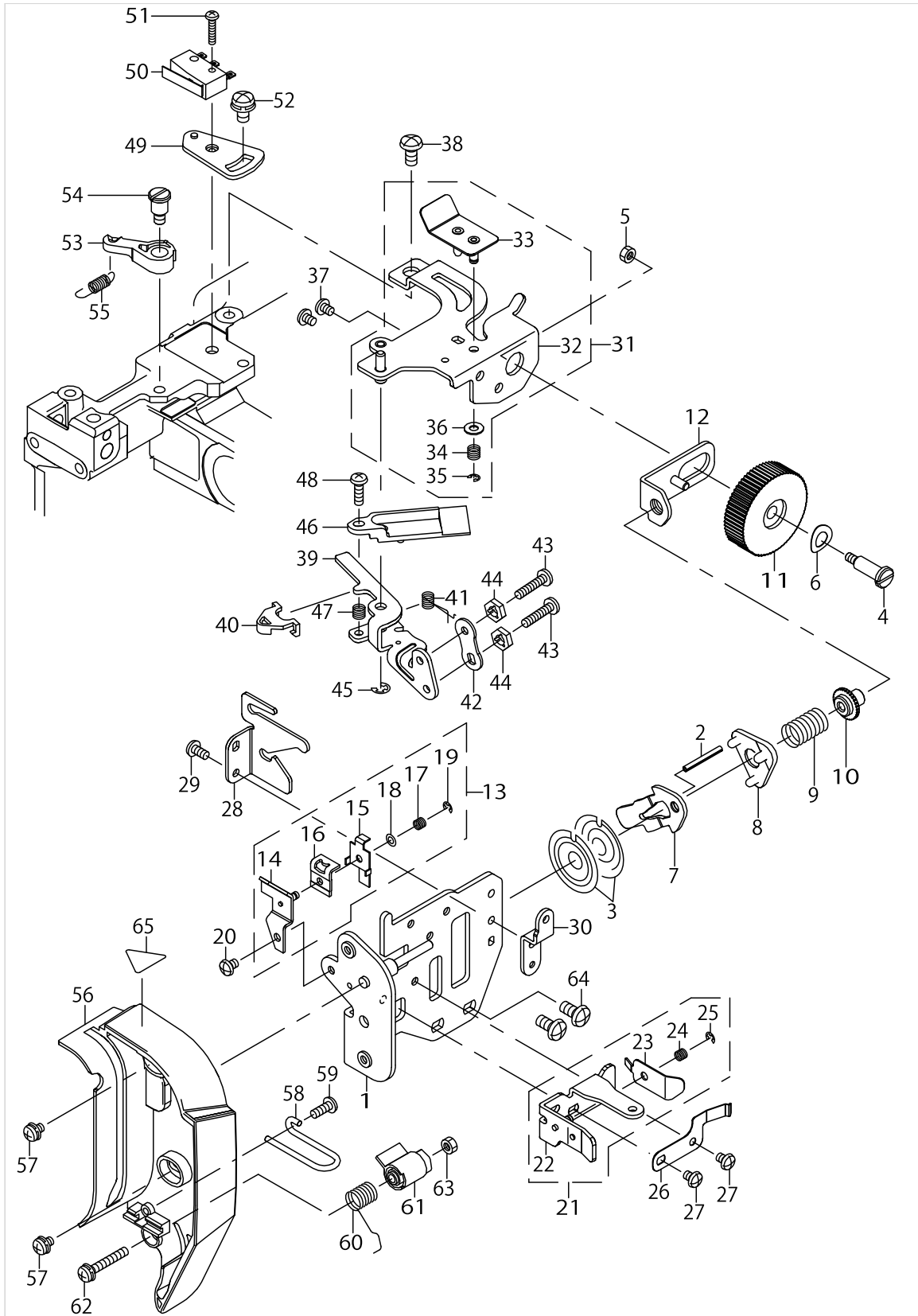
THREAD TENSION COMPONENTS



THREAD TENSION COMPONENTS

No.	Supply Code	Parts No.	Replacement	Parts name	Remarks	Choice	Step	Level	Cons	Qty	Rep. QTY
1		40053520		FACE PLATE ASSY						1	
2		PS0200182KP		SPRING PIN TYPE W 2X18						1	
3		A3910634000B		TENSION DISC						2	
4		40066124		TT_DIAL_SHAFT						1	
5		NM6030002SF		NUT M3						1	
6		A2110700000		SPRING WASHER						1	
7		40053525		DISCRELEASEPLATE						1	
8		40055371		DISC HOLDER						1	
9		40112878		THREAD TENSION SPRING						1	
10		40053526		THREAD TENSION ADJUST NUT						1	
11		40161989		TT DIAL FOREIGN						1	
12		40053532		THREAD TENSION ADJUST PLATE ASM.						1	
13		A3173E500B0		PRETENSION (MAS ASM.)						1	
14		A3173E500A0		PRETENSION DISH ASM. LEFT				*		1	
15		A3171T50000		PRETENSION LEVER				*		1	
16		A3172T50000		PRETENSION DISC				*		1	
17		A3175T70000		PRETENSION SPRING				*		1	
18		WP0260116RZ		SPRING WASHER				*		1	
19		RE0200000K0		E-RING 2				*		1	
20		SM5030455SF		SCREW M3 L=4						1	
21		40064573		ASSY SUB TENSION BASE						1	
22		40062044		SUB TENSION BASE ASSY				*		1	
23		40062047		SUB TENSION				*		1	
24		40062048		SUBTENSIONS PRING				*		1	
25		RE0200000K0		E-RING 2				*		1	
26		40053528		THREAD TENSION DIAL CLICK						1	
27		SM5030655SN		SCREW M3X0.5 L=6						2	
28		40057974		ARM THREAD GUIDE						1	
29		SM5030655SN		SCREW M3X0.5 L=6						1	
30		40058407		THREAD TENSION COVER BRACKET						1	
31		40064704		ASSY BASE TENSION BASE						1	
32		40055383		BASE TENSION BASE ASSY				*		1	
33		40055384		BASE TENSION ASSY				*		1	
34		40055420		BASE TENSION SPRING				*		1	
35		RE0200000K0		E-RING 2				*		1	
36		WP0320501SC		WASHER M3				*		1	
37		SM5030455SF		SCREW M3 L=4						2	
38		SM5040855SN		SCREW						1	
39		40055561		RELEASE ARM						1	
40		40133606		RELEASE_ARM_CAP						1	
41		40055400		RELEASE ARM SPRING						1	
42		40070286		RELEASE ARM SPACER						1	
43		SM5031001SC		SCREW M3 L=10						2	
44		1.74803E+11		NUT						2	
45		RE0300000K0		E-RING 3						1	

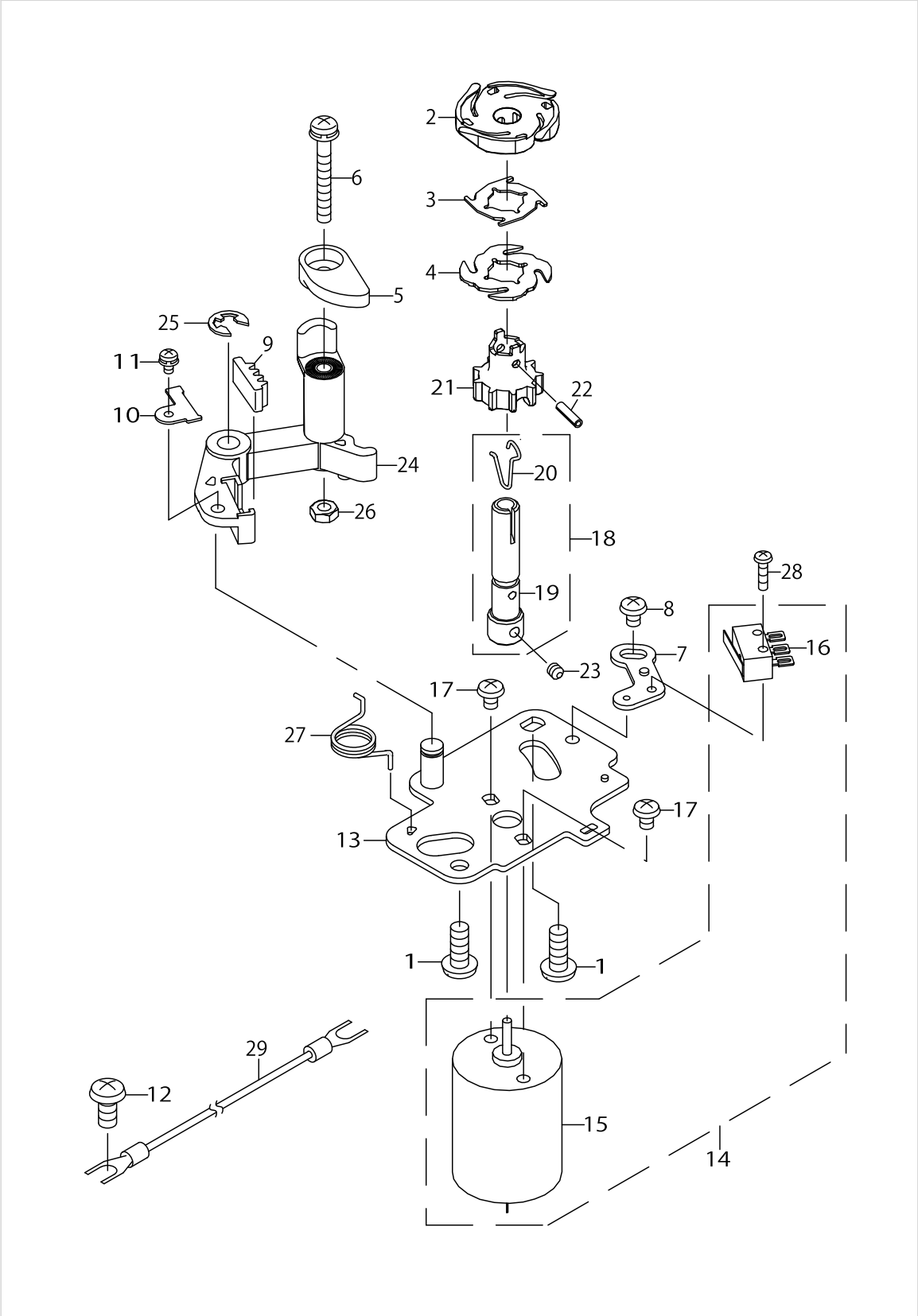
THREAD TENSION COMPONENTS



THREAD TENSION COMPONENTS

No.	Supply Code	Parts No.	Replacement	Parts name	Remarks	Choice	Step	Level	Cons	Qty	Rep. QTY
46		40066195		BASE TENSION LIFTER						1	
47		40066193		BASE TENSION LIFTER SPRING						1	
48		SM5031001SE		SCREW M3 L=10						1	
49		40055385		PRESSER LIFTER SW BASE						1	
50		40115936		ASSY OST SW						1	
51		SM4831001SF		SCREW M2.3 L=10						1	
52		SL5040835SN		SCREW						1	
53		40055396		TENSION RELEASE ARM						1	
54		40055397		TR ARM LOCATE SCREW						1	
55		40161187		TR_ARM_SPRING						1	
56		40059212		FACE PLATE COVER						1	
57		SL4030591SC		SCREW M3X5						2	
58		40055376		TAKE UP SPRING GUIDE						1	
59		ST5030851SN		SCREW M5X8						1	
60		40055377		TAKE UP SPRING						1	
61		40055378		TAKE UP SPRING HOLDER						1	
62		SL4032081SC		SCREW M3 L=20						1	
63		NM6030002SF		NUT M3						1	
64		SM5040855SN		SCREW						2	
65		CM300200001		ATTENTION SEAL						1	

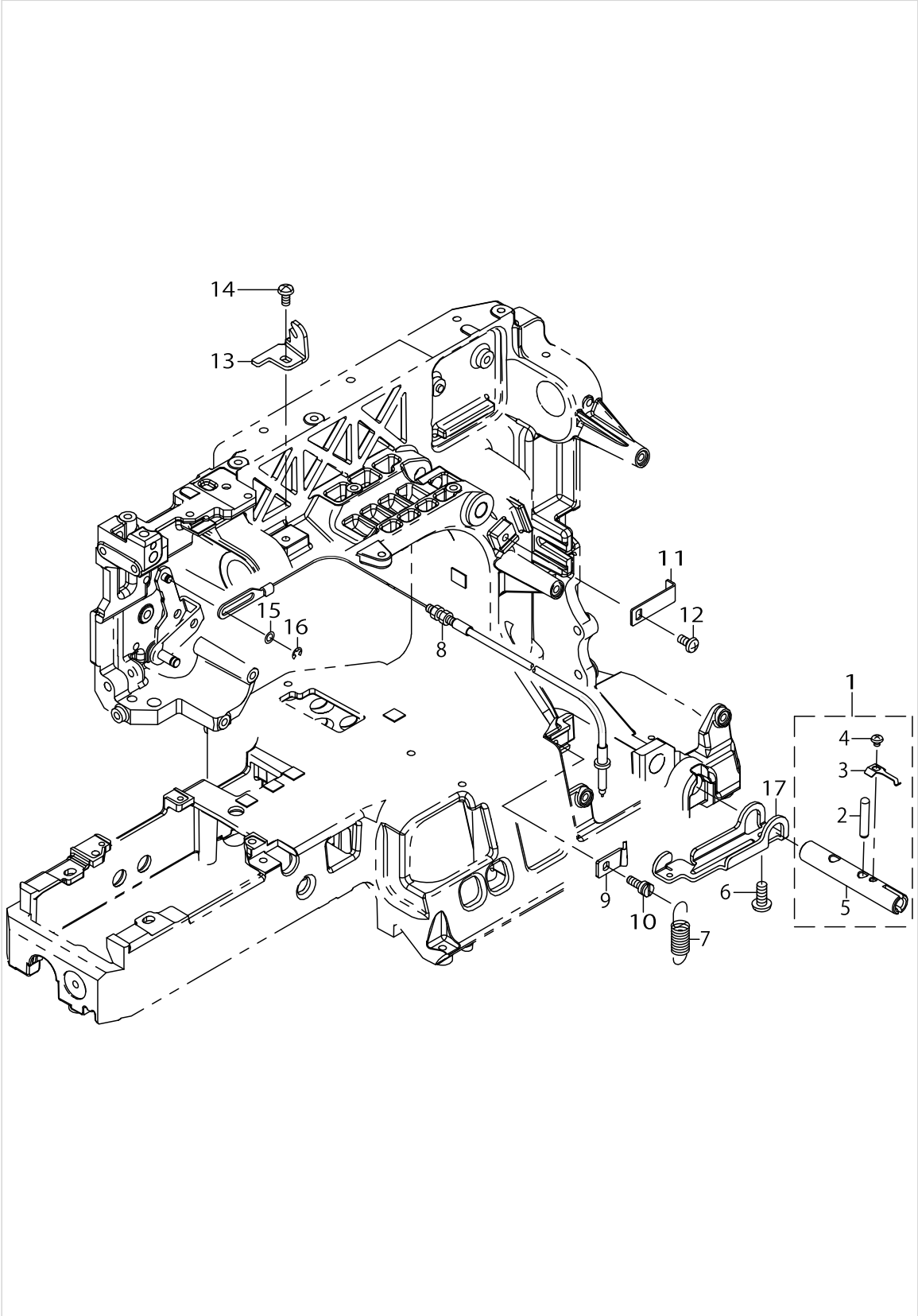
BOBBIN WINDER COMPONENTS



BOBBIN WINDER COMPONENTS

No.	Supply Code	Parts No.	Replacement	Parts name	Remarks	Choice	Step	Level	Cons	Qty	Rep. QTY
1		ST5041051SN		SCREW						2	
2		40053671		BOBBIN RECEIVER						1	
3		40053672		BOBBIN WINDER BLADE						1	
4	R	40053673	40162335	BW BLADE HOLDER						1	1.00
5		40053677		BW ADJUST BODY						1	
6		SL4032591SC		SCREW M3X25						1	
7		40097680		SW BASE						1	
8		SM5030655SN		SCREW M3X0.5 L=6						1	
9		40076145		STOPPER RUBBER						1	
10		40076146		RUBBER FIXING PLATE						1	
11		SL4020491SC		SCREW M2 L=4						1	
12		SM5040855SN		SCREW						1	
13		40097677		BOBBIN WINDER BASE ASSY						1	
14		40116031		ASSY_WIND_MOTOR						1	
15		40065720		WIND MOTOR				*		1	
16		HA00325000B		SWITCH				*		1	
17		SM5030455SF		SCREW M3 L=4						2	
18		40070287		ASSY BOBBIN WINDER SHAFT						1	
19		40053670		BOBBIN WINDER SHAFT				*		1	
20		40084023		BOBBIN STOPPER SPRING				*		1	
21		40053680		STOPPER GEAR						1	
22		PS0200082KP		STOPPER GEAR PIN						1	
23		SM8030312TP		SCREW M3 L=3						1	
24		40097679		BW ADJUST BASE						1	
25		RE0400000K0		E-RING 4						1	
26		NM6030002SF		NUT M3						1	
27		40061796		BW SPRING						1	
28		SM5020855SN		SCREW M2 L=8						1	
29		40119549		ASSY WIND CODE						1	

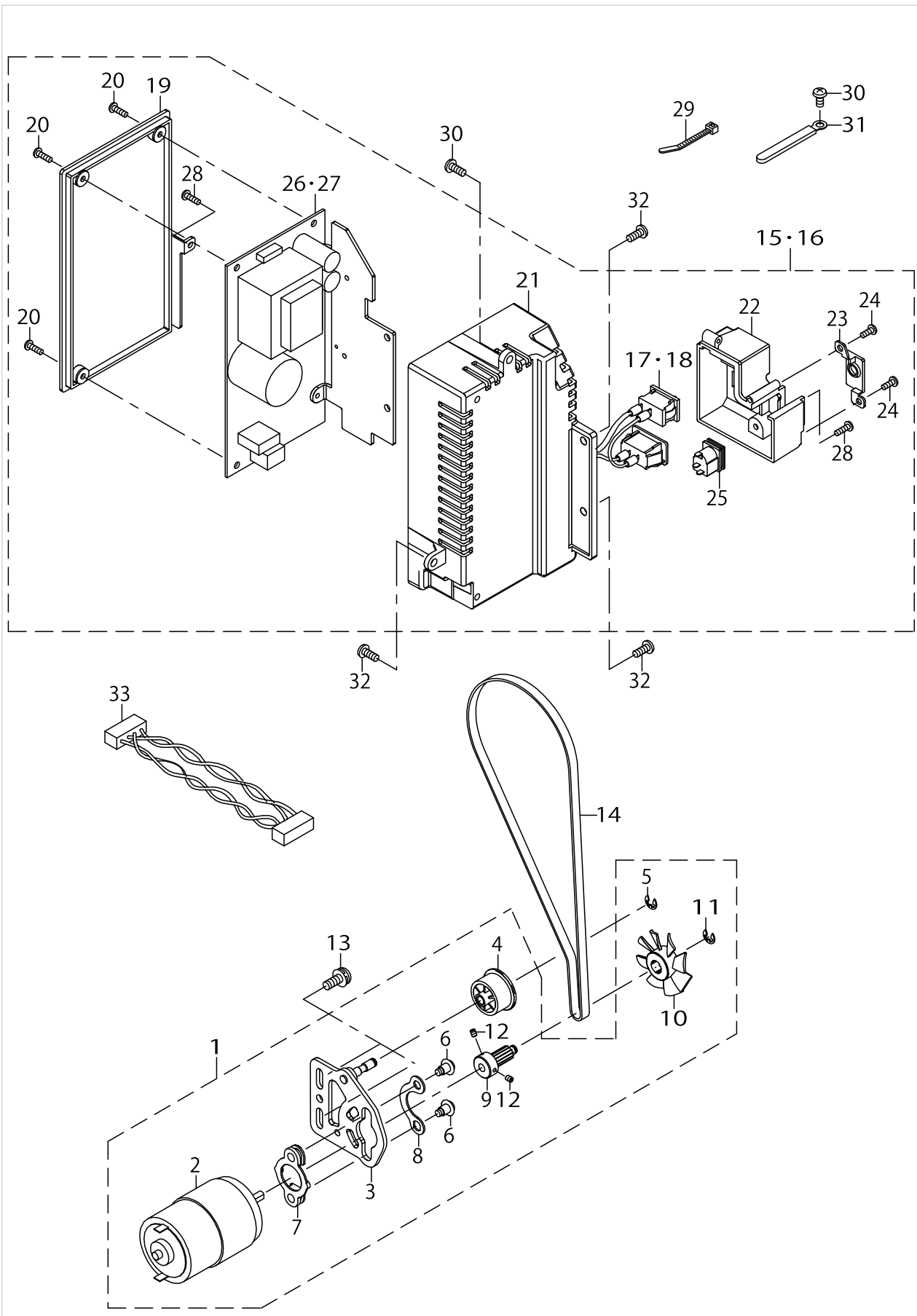
KNEE LIFTER COMPONENTS



KNEE LIFTER COMPONENTS

No.	Supply Code	Parts No.	Replacement	Parts name	Remarks	Choice	Step	Level	Cons	Qty	Rep. QTY
1		40084331		KNEE LIFTER SHAFT ASM.						1	
2		A343301SZ00		STOPPER PIN				*		1	
3		40053426		KL CLICK SPRING				*		1	
4		SM4030301SC		SCREW M3 X 3				*		1	
5		40053425		KNEE LIFTER CONNECT SHAFT				*		1	
6		SM5051255SN		SCREW						1	
7		40053427		KNEE LIFTER SPRING						1	
8		40053446		KNEE LIFTER WIRE ASSY						1	
9		40053428		WIRE TUBE HOLDER L						1	
10		40053429		KL SPRING STUD						1	
11		40064567		WIRE GUIDE B						1	
12		SM5040855SN		SCREW						1	
13		40055795		WIRE TUBE HOLDER U						1	
14		SM5040855SN		SCREW						1	
15	R	WP0410516RZ	WP0410846SC	WASHER						1	1.00
16		RE0300000K0		E-RING 3						1	
17		40053424		KNEE LIFTER LEVER						1	

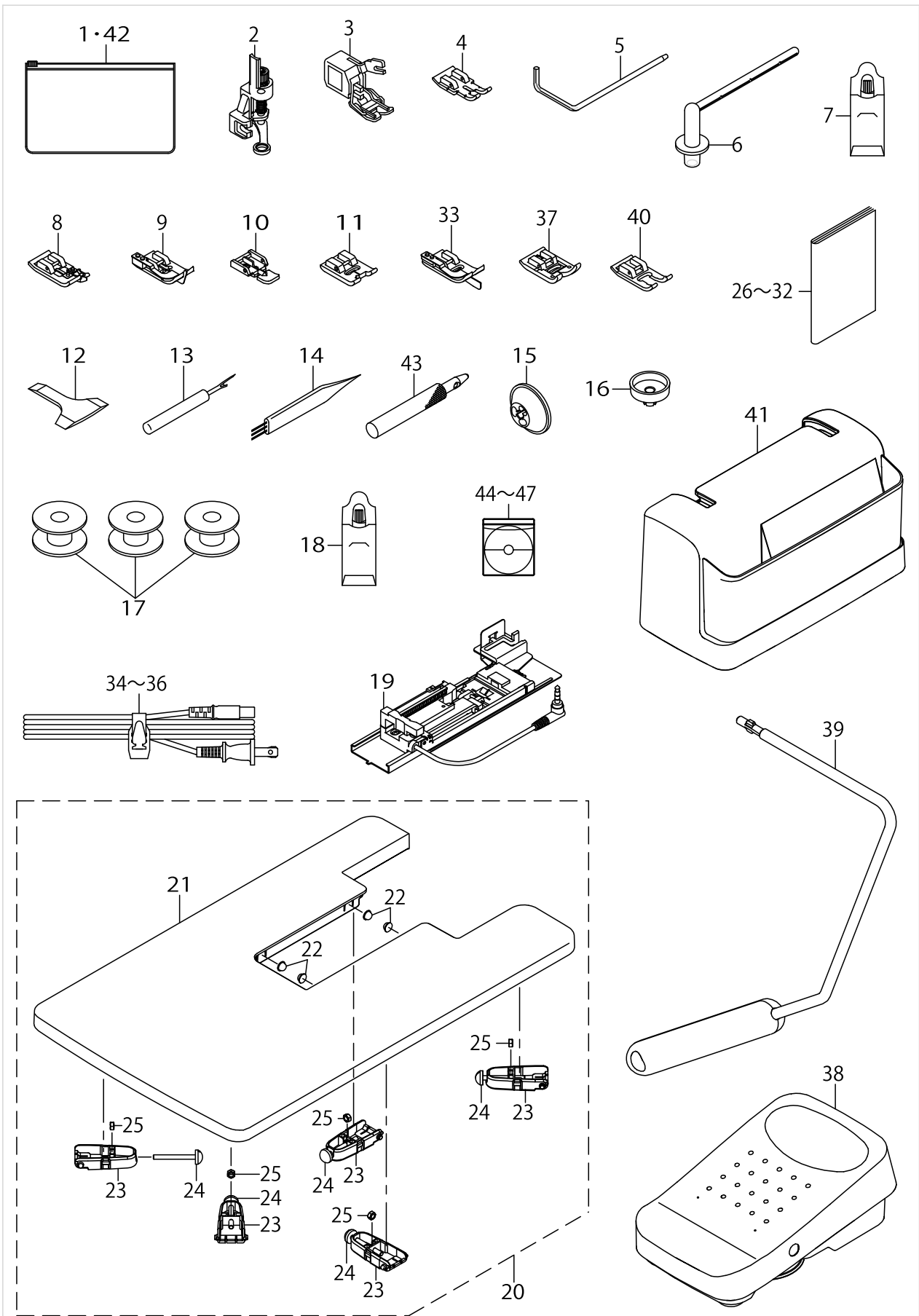
POWER SUPPLY & MAIN MOTOR COMPONENTS



POWER SUPPLY & MAIN MOTOR COMPONENTS

No.	Supply Code	Parts No.	Replacement	Parts name	Remarks	Choice	Step	Level	Cons	Qty	Rep. QTY
1		40120320		ALL ASSY MAIN MOTOR						1	
2		40109087		ASSY MAIN MOTOR				*		1	
3		40057951		MOTOR BRACKET ASSY				*		1	
4		40056861		IDLER				*		1	
5		RE0400000K0		E-RING 4				*		1	
6		40057922		RUBBER WASHER SCREW				*		2	
7		40062143		MOTOR SPACER				*		1	
8		40066024		SPACER PLATE				*		1	
9		40055830		MOTOR SHAFT PULLEY				*		1	
10		40053472		MOTOR SHAFT PULLEY FLANGE				*		1	
11		RE0400000K0		E-RING 4				*		1	
12		SM8030612TP		SET SCREW				*		2	
13	R	SL4051485SE	SL4041295SE	BASE PLATE SETSCREW		A	MOL254			2	1.00
13	R	SL4051485SE	SL4051485SC	BASE PLATE SETSCREW		B	MOL254以外/Except MOL254			2	1.00
14		40057960		MOTOR TIMING BELT						1	
15		40079000		ALL ASSY POWER SUPPLY	FOR UL					1	
16		40078960		ALL ASSY POWER SUPPLY CE	FOR CE					1	
17		40056541		ASSY POWER SW UL	FOR UL			*		1	
18		40150471		ASSY_POWER_SW_CE	FOR CE			*		1	
19		40053476		SWITCHING POWER SOURCE COVER L				*		1	
20		ST5031051SN		TAPPING SCREW				*		3	
21		40053475		SWITCHING POWER SOURCE COVER				*		1	
22		40053474		INLET COVER				*		1	
23		40058553		CONTROLLER JACK COVER				*		1	
24		ST5030851SN		SCREW M5X8				*		2	
25		40085940		ASSY_CONT_SOCKET				*		1	
26	R	40120063	WP0430801SC	ASSYPOWERSUPPLY	FOR CE	A		*		1	1.00
26	R	40120063	40166891	ASSYPOWERSUPPLY	FOR CE	A		*		1	1.00
27		40120064		ASSY POWER SUPPLY UL	FOR UL			*		1	
28		ST5031051SN		TAPPING SCREW				*		2	
29		A407855000B		BAND						9	
30		SM5040855SN		SCREW						2	
31		A3811550000		CORD HOLDER						2	
32		SM5041055SN		SCREW M4X10						4	
33		40056552		ASSY POWER SUPPLY RELAY						1	

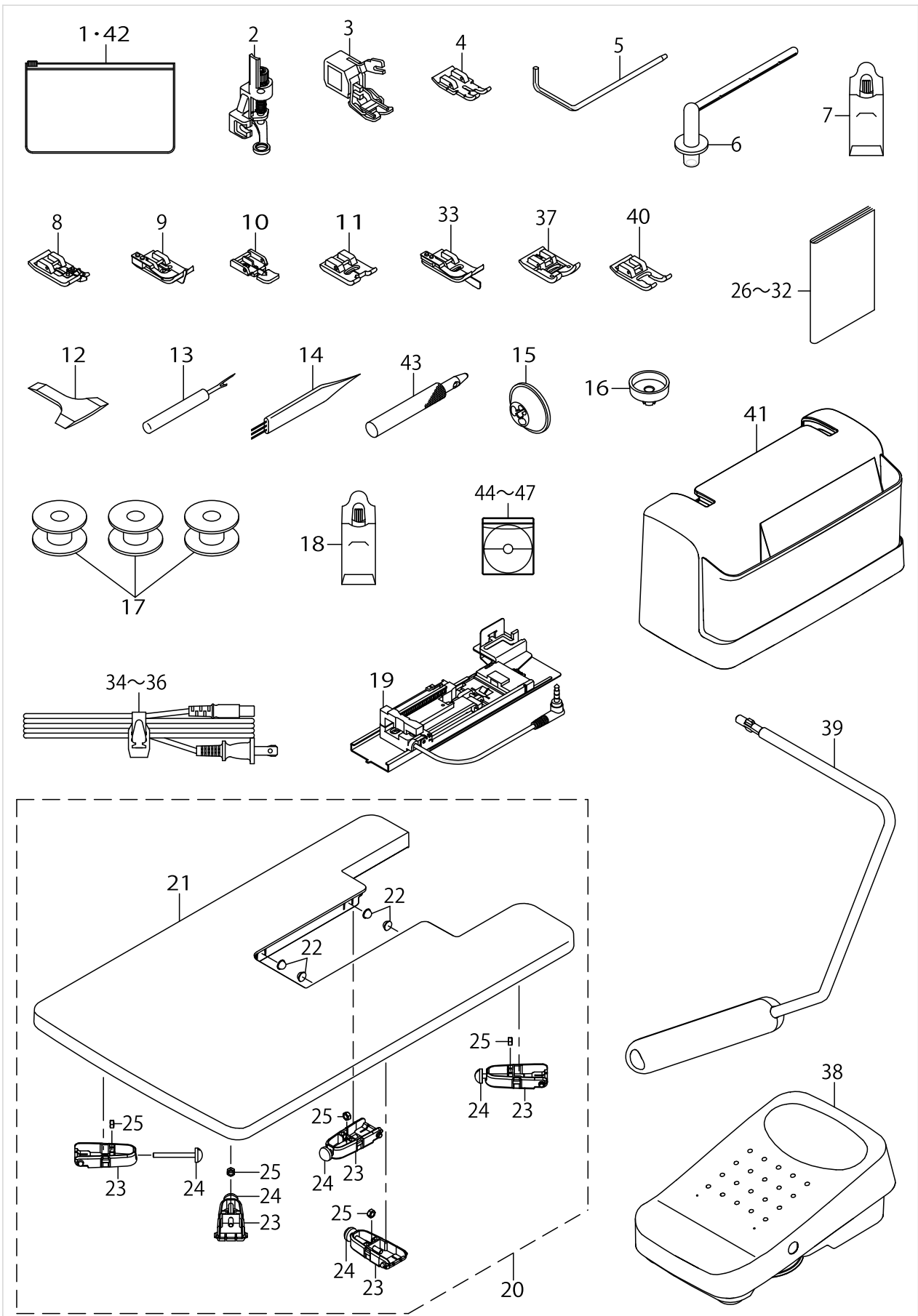
ACCESSORY PARTS COMPONENTS



ACCESSORY PARTS COMPONENTS

No.	Supply Code	Parts No.	Replacement	Parts name	Remarks	Choice	Step	Level	Cons	Qty	Rep. QTY
1		A9101550000		ACCESSORY BAG	FOR HZL-- F400,HZL-- F500,QM-700					1	
2		40058561		ASSY QUILT PRESSER FOOT	FOR HZL-- F600,HZL-- F400,HZL-- F700, HZL- -F500,QM-- 900,QM-700					1	
3		40057984		ASSY_UPPER_FEED_ATTACHMENT	FOR HZL-- F600,HZL-- F400,HZL-- F700, HZL- -F500,QM-- 900,QM-700					1	
4		40059122		ASSY STRAIGHT P- ACHWORK FOOT	FOR HZL-- F600,HZL-- F400,HZL-- F700, HZL- -F500,QM-- 900,QM-700					1	
5		A9134550000		RULER	FOR HZL-- F600,HZL-- F400,HZL-- F700, HZL- -F500,QM-- 900,QM-700					1	
6		40058089		SUPPORT SPOOL PIN	FOR HZL-- F600,HZL-- F400,HZL-- F700, HZL- -F500,QM-- 900,QM-700					1	
7		40083061		TWIN NEEDLE SET	FOR HZL-- F600,HZL-- F400,HZL-- F700, HZL- -F500,QM-- 900,QM-700					1	
8		40059118		ASSY OVERCASTING FOOT						1	
9	R	40059120	40110164	ASSY BLINDSTITCH FOOT						1	1.00
10		A91330100A0		ZIPPER FOOT ASM						1	
11	R	40088332	40110165	TRANSPARENT BU- TTONHOLE FOOT						1	1.00
12		A9110700000		SCREWDRIVER						1	
13		A9131990000		SEAM RIPPER						1	
14		A9137956000		BRUSH						1	
15		A1150980000		SPOOL CAP						1	
16		A114501SZ00		SMALL SPOOL CAP						1	
17		001141000000		BOBBIN						3	
18		40075804		NEEDLE SET						1	
19		40057289		BH_PRESSER_FOOT_SET						1	
20		40068038		ASSY WIDE TABLE	FOR HZL-- F600,HZL-- F700,QM-900					1	
21		40059204		WIDE TABLE				*		1	
22		A9503E50000		TABLE NON-SLIP				*		4	
23		40070174		WIDE TABLE LEG				*		5	
24		A9505E50000		SCREW				*		5	
25		NM6050002SS		NUT M5				*		5	
26		40121929		INSTRUCTION_MAN- UAL_A_(GB/ES/I/F)						1	
27		40121930		INSTRUCTION_MAN- UAL_B_(GB/D/NL/RU)						1	

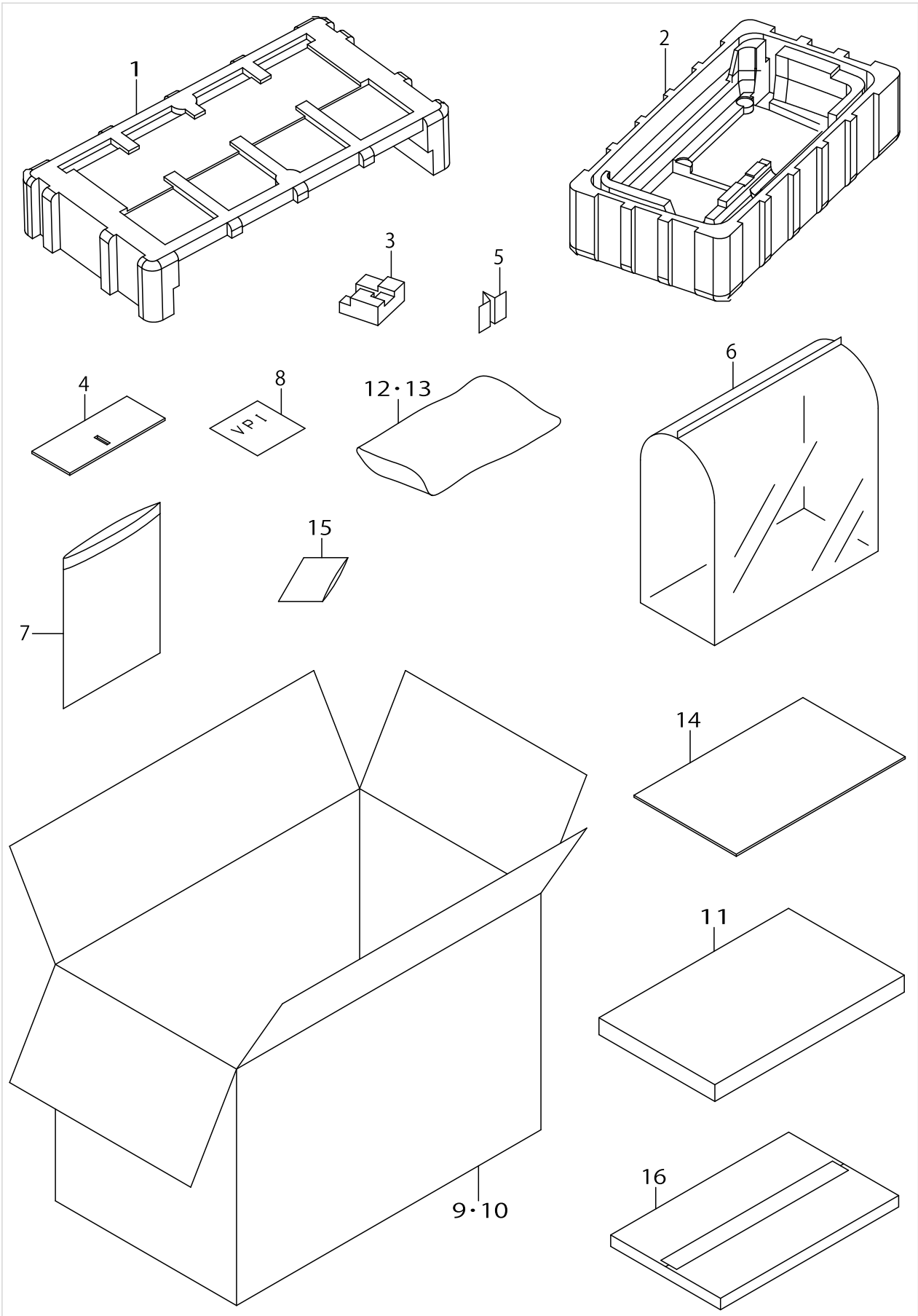
ACCESSORY PARTS COMPONENTS



ACCESSORY PARTS COMPONENTS

No.	Supply Code	Parts No.	Replacement	Parts name	Remarks	Choice	Step	Level	Cons	Qty	Rep. QTY
28		40122553		INSTRUCTION_MANUAL_C_(GB)						1	
29		40121931		INSTRUCTION_MANUAL_D_(KR)						1	
30		40158076		INSTRUCTION_MANUAL_A_(GB/ES/I/F)						1	
31		40158081		INSTRUCTION_MANUAL_B_(GB/D/NL/RU)						1	
32		40161392		INSTRUCTION MANUAL QM						1	
33		40059126		ASSY_CONCEALED_SEAM_FOOT	FOR HZL-- F600,HZL-- F700,QM-900					1	
34		A44219800AF		ELECTRIC POWER CORD	FOR CE					1	
35	R	A442101EZA0	A442101EZA0A	ELECTRIC POWER CORD ASM.	FOR UL					1	1.00
36		40071949		POWER CORD SET (BS) (ASM.)	FOR BS					1	
37	R	A920101S0A0A	40165021	DECORATIVE STTICH FOOT	FOR HZL-- F600,HZL-- F700,QM-900					1	1.00
38		40144123		FOOT_CONTROLLE- R_(FOR_ABROAD)_ (ASM.)						1	
39		40070255		ASSY_KNEE_LIFTER	FOR HZL-- F600,HZL-- F400,HZL-- F700, HZL- -F500,QM-- 900,QM-700					1	
40		40059124		ASSY_OPEN_TOE_FOOT	FOR HZL-- F600,HZL-- F700,QM-900					1	
41		40079514		ALLASSYHARD CASE						1	
42		A9121503000		ACCESSORY BAG	FOR HZL-- F600,HZL-- F700,QM-900					1	
43		A9103880000		EYELET PUNCH	FOR HZL-- F600,HZL-- F700,QM-900					1	
44		40123644		ASSY_INSTRUCTION_DVD_F_NTSC						1	
45		40123647		ASSY_INSTRUCTION_DVD_F_PAL						1	
46		40158077		ASSY_INSTRUCTIO- N_DVD_F700/500/370_PAL						1	
47		40161393		ASSY INSTRUCTION DVD QM						1	

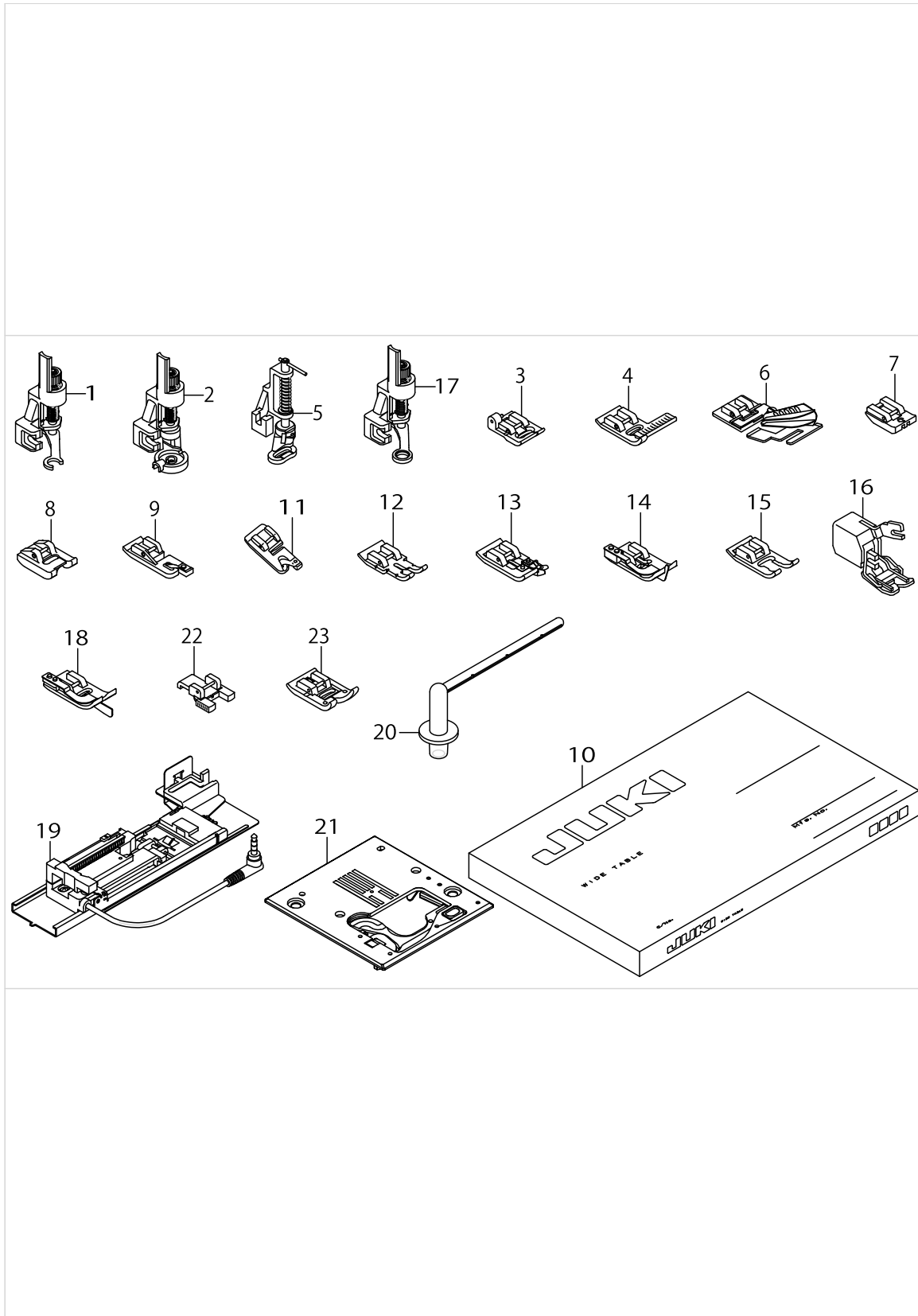
PACKING MATERIAL COMPONENTS



PACKING MATERIAL COMPONENTS

No.	Supply Code	Parts No.	Replacement	Parts name	Remarks	Choice	Step	Level	Cons	Qty	Rep. QTY
1		40078460		TOP CUSHIONING						1	
2		40078461		BOTTOM CUSHIONING						1	
3		40078462		TP CUSHIONING						1	
4		40075778		ACCESSORY TRAY SPONGE						1	
5		40078479		THREAD WAY PLATE PAPER						1	
6		40090758		MACHINE COVER						2	
7		A9181008000		VINYL						1	
8		J0233500A00		VPI PAPER						1	
9		40071987		OUTER PACKING CASE F						1	
10		40161407		OUTER_PACKING_CASE_QM						1	
11		40069617		WT PACKING CASE						1	
12		A9513E50000		VINYL BAG	FOR HZL-- F600,HZL-- F700,QM-900					1	
13		A5101008X00		VINYL SHEET	FOR HZL-- F600,HZL-- F400,HZL-- F700, HZL- -F500,QM-- 900,QM-700					1	
14		40084369		WIDE TABLE PAD	FOR HZL-- F600,HZL-- F700,QM-900					1	
15		J0231082A00		VINYL SHEEY						1	
16		40079540		WIDE TABLE SPACER	FOR HZL-- F400,HZL-- F300,HZL-- F500, HZL- -F370,QM-700					1	

OPTIONAL ACCESSORY PARTS COMPONENTS



OPTIONAL ACCESSORY PARTS COMPONENTS

No.	Supply Code	Parts No.	Replacement	Parts name	Remarks	Choice	Step	Level	Cons	Qty	Rep. QTY
1		40080949		BP OPEN QUILTING FOOT						1	
2		40080950		BP FREE MOTION CORDING FOOT						1	
3		40080951		BP APPLIQUE FOOT						1	
4		40080952		BP STITCH GUIDE FOOT						1	
5		40080953		BP CLEAR QUILTING FOOT						1	
6		40080654		FOLDING PLATE A RIGHT						1	
7		40080955		BP INVISIBLE ZIPPER FOOT						1	
8		40080956		BP PEARL SEWING FOOT						1	
9		40080957		BP ZIG ZAG ROLLED HEMMING FOOT						1	
10		40078483		WIDE_TABLE_SET						1	
11		40080958		BP ROLLED HEMMING FOOT						1	
12		40080959		BP PACHWORK FOOT						1	
13		40080960		BP OVERCASTING FOOT						1	
14		40080961		BP BLINDSTITCH FOOT						1	
15		40080962		BP OPEN TOE FOOT						1	
16		40080963		BP EVEN FEED FOOT						1	
17		40080964		BP QUILTING FOOT						1	
18		40080965		BP EDGE STITCH FOOT						1	
19		40080966		BPBHPRESSERFOOT						1	
20		40080967		BP AUXILIARY SPOOL PIN						1	
21		40080968		BP STRAIGHT STITCH THROAT PLATE						1	
22		40080969		BP BUTTON SEWING FOOT						1	
23	R	40079312	40181050	BLISTER BAG ASM(-DEC STTICH FOOT)						1	1.00

HOW TO MAKE USE OF THIS PARTS LIST

- 1.As to "#01" and "#02" refer to the "Note" given at the bottom of the respective pages.
- 2.Codes on the "Qty" column
 - Each numeral indicates the number of parts required.
 - "0.1" and "2.5" indicate the length (in meters) of the respective parts.
- 3.Parentheses mean that the corresponding part is a subpart that constructs an assembly part.
- 4.Dotted lines on the Figures indicate assembly parts.

NUMERICAL INDEX OF PARTS

PART NO	PAGE	REF NO.	PART NO	PAGE	REF NO.	PART NO	PAGE	REF NO.
001141000000	30	47	40053584	34	53	40055403	18	14
001141000000	46	17	40053585	34	51	40055404	18	17
021112002000	28	33	40053586	32	9	40055405	18	18
041207008000	30	48	40053587	32	11	40055406	18	19
1.74803E+11	36	44	40053588	32	44	40055408	18	27
1.74804E+11	22	25	40053598	32	13	40055409	18	16
40051255	16	46	40053602	32	16	40055412	18	21
40053424	42	17	40053603	32	19	40055420	36	34
40053425	42	5	40053604	32	30	40055426	18	32
40053426	42	3	40053609	32	39	40055433	18	36
40053427	42	7	40053610	32	18	40055496	22	1
40053428	42	9	40053611	32	24	40055499	22	3
40053429	42	10	40053612	32	21	40055500	22	26
40053446	42	8	40053616	32	25	40055501	22	32
40053454	28	38	40053628	34	67	40055502	22	27
40053456	28	13	40053632	34	65	40055504	22	4
40053462	10	2	40053636	34	66	40055505	22	15
40053469	12	17	40053637	34	64	40055507	22	22
40053472	44	10	40053640	34	61	40055513	22	20
40053474	44	22	40053641	34	57	40055516	22	33
40053475	44	21	40053670	40	19	40055517	22	39
40053476	44	19	40053671	40	2	40055519	22	46
40053479	12	32	40053672	40	3	40055520	22	45
40053484	12	2	40053673	40	4	40055521	24	51
40053486	12	16	40053677	40	5	40055522	24	54
40053487	12	19	40053680	40	21	40055524	24	55
40053490	14	3	40053683	2	28	40055525	22	43
40053491	14	4	40053684	2	30	40055526	24	71
40053493	12	6	40053685	2	23	40055527	24	72
40053495	28	8	40053686	2	25	40055528	24	73
40053496	14	12	40055371	36	8	40055530	24	58
40053497	14	13	40055376	38	58	40055531	24	61
40053498	14	14	40055377	38	60	40055532	24	62
40053499	20	50	40055378	38	61	40055533	24	63
40053500	18	44	40055383	36	32	40055534	24	60
40053505	20	53	40055384	36	33	40055539	24	68
40053506	20	59	40055385	38	49	40055540	24	85
40053516	14	21	40055387	18	2	40055544	24	78
40053517	14	22	40055391	18	1	40055548	24	83
40053520	36	1	40055395	18	5	40055549	24	81
40053525	36	7	40055396	38	53	40055550	24	91
40053526	36	10	40055397	38	54	40055557	18	7
40053528	36	26	40055400	36	41	40055561	36	39
40053532	36	12	40055401	8	71	40055676	20	55
40053581	32	6	40055402	18	13	40055795	42	13

NUMERICAL INDEX OF PARTS

PART NO	PAGE	REF NO.	PART NO	PAGE	REF NO.	PART NO	PAGE	REF NO.
40055796	34	70	40057384	12	36	40059249	2	2
40055811	14	38	40057397	8	61	40059862	24	79
40055812	14	39	40057922	2	34	40060527	18	33
40055813	14	40	40057922	44	6	40060607	22	37
40055819	14	7	40057923	18	26	40060608	28	18
40055821	16	53	40057951	44	3	40060614	2	27
40055822	16	55	40057960	44	14	40061618	18	22
40055823	16	56	40057974	36	28	40061796	40	27
40055824	16	57	40057983	12	12	40062034	6	53
40055825	12	8	40057984	46	3	40062044	36	22
40055826	28	10	40057990	2	33	40062047	36	23
40055827	14	41	40057991	2	20	40062048	36	24
40055828	14	45	40058088	6	46	40062143	44	7
40055830	44	9	40058089	46	6	40062144	20	64
40055831	14	29	40058407	36	30	40062407	14	27
40055989	14	25	40058553	44	23	40062500	2	5
40056010	22	38	40058561	46	2	40062518	12	27
40056368	18	30	40058626	28	17	40064224	18	23
40056529	18	24	40058655	6	30·31	40064567	42	11
40056537	4	30·31	40059118	46	8	40064571	2	29
40056541	44	17·18	40059120	46	9	40064572	6	52
40056552	44	33	40059122	46	4	40064573	36	21
40056553	18	42	40059124	48	40	40064685	10	16
40056554	2	1	40059126	48	33	40064702	10	8
40056556	32	45	40059160	4	7	40064703	18	25
40056557	20	46	40059161	4	9	40064704	36	31
40056558	24	57	40059163	4	10	40064997	28	37
40056564	34	55	40059165	4	11	40065563	2	7
40056861	12	33	40059166	4	12	40065631	10	9
40056861	44	4	40059167	4	14	40065718	32	3
40056945	14	32	40059168	4	16	40065720	40	15
40056969	18	8	40059183	4	25	40066024	44	8
40056970	14	18	40059192	4	26~29	40066124	36	4
40056975	28	39	40059193	4	26~29	40066193	38	47
40056976	28	40	40059204	46	21	40066195	38	46
40057150	10	5	40059209	2	31	40066198	20	60
40057187	12	20	40059212	38	56	40066230	24	77
40057188	12	21	40059215	2	32	40066231	20	58
40057189	12	22	40059216	4	1·2	40066691	26	94
40057190	12	23	40059217	4	1·2	40067261	34	47
40057194	12	24	40059230	2	10	40067671	34	49
40057289	46	19	40059232	6	42	40068038	46	20
40057334	26	96	40059240	6	45	40069617	50	11
40057335	26	93	40059244	6	35~38	40069623	4	8
40057355	12	28	40059245	6	44	40069736	4	6

NUMERICAL INDEX OF PARTS

PART NO	PAGE	REF NO.	PART NO	PAGE	REF NO.	PART NO	PAGE	REF NO.
40070174	46	23	40079605	18	40	40099886	28	6
40070239	2	14	40079606	18	43	40107462	6	33·34
40070255	48	39	40080420	28	16	40107895	2	3
40070284	8	72	40080654	52	6	40107899	2	18
40070286	36	42	40080949	52	1	40107901	12	1
40070287	40	18	40080950	52	2	40107914	22	10
40070288	20	48	40080951	52	3	40107915	22	16
40071728	14	33	40080952	52	4	40107916	22	21
40071949	48	34~36	40080953	52	5	40107918	22	28
40071969	22	35	40080955	52	7	40107929	28	1
40071970	22	6	40080956	52	8	40108579	14	1
40071971	22	7	40080957	52	9	40108609	14	43
40071972	22	8	40080958	52	11	40108610	14	44
40071973	22	9	40080959	52	12	40108611	16	49
40071975	8	63~65	40080960	52	13	40108612	14	36
40071977	8	63~65	40080961	52	14	40109087	44	2
40071979	8	63~65	40080962	52	15	40112878	36	9
40071987	50	9·10	40080963	52	16	40115936	38	50
40072395	2	12	40080964	52	17	40116031	40	14
40072508	4	17~24	40080965	52	18	40119549	40	29
40072509	4	17~24	40080966	52	19	40120063	44	26·27
40072510	4	17~24	40080967	52	20	40120064	44	26·27
40072885	24	87	40080968	52	21	40120173	6	35~38
40075778	50	4	40080969	52	22	40120320	44	1
40075804	46	18	40081293	28	15	40120575	8	66~68
40076145	40	9	40083061	46	7	40120576	8	66~68
40076146	40	10	40084023	40	20	40120577	8	66~68
40076391	18	11	40084331	42	1	40121860	14	2
40076508	30	43	40084369	50	14	40121929	46	26~32
40078460	50	1	40084595	6	33·34	40121930	46	26~32
40078461	50	2	40085940	44	25	40121931	48	26~32
40078462	50	3	40088332	46	11	40122553	48	26~32
40078479	50	5	40090758	50	6	40123644	48	44~47
40078483	52	10	40094758	2	8·9	40123647	48	44~47
40078681	32	40	40097677	40	13	40125812	24	53
40078685	34	74	40097679	40	24	40133321	4	26~29
40078686	34	72	40097680	40	7	40133606	36	40
40078690	34	75	40098262	14	34	40135933	4	15
40078960	44	15·16	40098263	16	47	40135998	32	37
40079000	44	15·16	40098264	14	42	40136001	32	1
40079178	16	51	40098265	16	54	40136004	32	8
40079312	52	23	40098266	16	59	40136005	32	12
40079367	10	1	40098267	16	60	40136007	32	27
40079514	48	41	40098268	16	61	40136008	32	33
40079540	50	16	40098269	16	62	40136009	32	35

NUMERICAL INDEX OF PARTS

PART NO	PAGE	REF NO.	PART NO	PAGE	REF NO.	PART NO	PAGE	REF NO.
40137570	4	13	A1617030000	14	30	A407855000B	26	98
40137772	18	29	A1624010000	22	40	A407855000B	44	29
40143132	4	3	A1646010000	20	57	A442101EZA0	48	34~36
40143315	4	5	A1650008000A	24	66	A44219800AF	48	34~36
40144123	48	38	A1651008000	24	69	A5101008X00	50	12·13
40145841	28	12	A1654008000	24	89	A9101550000	46	1·42
40145842	30	49	A1658008000	24	70	A9103880000	48	43
40150471	44	17·18	A18090310A0	28	31	A9110700000	46	12
40152349	2	8·9	A1810E60000	28	2	A9121503000	48	1·42
40153334	4	17~24	A18300310A0	28	25	A9131990000	46	13
40157939	4	26~29	A1830E800B0	28	24	A91330100A0	46	10
40158070	4	17~24	A1830E800C0	28	23	A9134550000	46	5
40158076	48	26~32	A1831031000	28	28	A9137956000	46	14
40158077	48	44~47	A1832008000	28	26	A9181008000	50	7
40158081	48	26~32	A1833E50000	28	30	A920101S0A0A	48	37
40158089	4	17~24	A1840009000	28	19	A9503E50000	46	22
40161187	38	55	A1841S56000	28	20	A9505E50000	46	24
40161379	4	17~24	A1843030000	28	21	A9513E50000	50	12·13
40161384	6	35~38	A1844030000	28	22	CM300200001	38	65
40161392	48	26~32	A2110700000	18	35	CS1000881TP	12	4
40161393	48	44~47	A2110700000	24	67	HA00325000B	40	16
40161397	4	17~24	A2110700000	36	6	J0231082A00	50	15
40161402	6	35~38	A2444500000	34	62	J0233500A00	50	8
40161407	50	9·10	A3171T50000	36	15	MHA100B1400	14	11
40161989	36	11	A3172T50000	36	16	NM6030002SF	32	4
A1111A85000	10	3	A3173E500A0	36	14	NM6030002SF	36	63
A1114010000A	10	6	A3173E500B0	36	13	NM6030002SF	38	63
A1115A85000	10	10	A3175T70000	36	17	NM6030002SF	40	26
A1117008000	10	7	A3187010000	32	31	NM6040002SF	14	9
A1119010000	10	4	A3205555A00	2	13	NM6050002SS	46	25
A1138335000	10	17	A3205555A00	6	51	NM6860002MZ	34	63
A1138335000	28	42	A3205555A00	26	97	PH0300182C0	6	47
A1139030Z00	8	59	A3233731000	6	56	PS0200082KP	22	2
A114501SZ00	46	16	A3234550000	6	54	PS0200082KP	32	10
A1145E50000	6	49	A3235030Z00A	6	55	PS0200082KP	40	22
A1150980000	46	15	A3236880000	8	57	PS0200122KP	22	74
A1159770000	2	19	A3237880000	8	58	PS0200122KP	24	74
A1203030000	22	18	A343301SZ00	42	2	PS0200182KP	36	2
A1203030000	28	4	A3711010000A	2	11	PS0400222KP	12	3
A1206535000	24	49	A3711010000A	6	50	RC0370411KP	12	26
A1223010000	12	38	A3711010000A	10	15	RE0150000K0	32	17
A1412010000	14	5	A3711010000A	32	38	RE0200000K0	14	17
A1427010000A	14	19	A3811550000	8	70	RE0200000K0	32	41
A1456008000A	20	51	A3811550000	44	31	RE0200000K0	36	35
A1458A85000	14	37	A3910634000B	36	3	RE0300000K0	14	48

NUMERICAL INDEX OF PARTS

PART NO	PAGE	REF NO.	PART NO	PAGE	REF NO.	PART NO	PAGE	REF NO.
RE030000K0	16	48	SL5030531SF	34	56	SM5040855SN	44	30
RE030000K0	18	3	SL5040835SN	38	52	SM5041055SN	44	32
RE030000K0	22	88	SL6041692TN	28	9	SM5041455SN	12	31
RE030000K0	24	88	SM1040801SN	18	39	SM5041455SN	22	42
RE030000K0	32	73	SM4020201SC	10	12	SM5051255SN	42	6
RE030000K0	34	73	SM4020301SC	10	13	SM8030312TP	2	15
RE030000K0	36	45	SM4020401SC	24	64	SM8030312TP	12	29
RE030000K0	42	16	SM4030301SC	42	4	SM8030312TP	14	31
RE040000K0	2	4	SM4831001SF	38	51	SM8030312TP	20	49
RE040000K0	12	34	SM5020301SC	28	41	SM8030312TP	24	59
RE040000K0	18	62	SM5020501SC	10	14	SM8030312TP	32	52
RE040000K0	20	62	SM5020855SN	14	10	SM8030312TP	34	52
RE040000K0	22	95	SM5020855SN	40	28	SM8030312TP	40	23
RE040000K0	24	95	SM5030455SF	18	47	SM8030612TP	22	41
RE040000K0	26	95	SM5030455SF	20	47	SM8030612TP	44	12
RE040000K0	32	68	SM5030455SF	32	46	SM8040412TP	14	20
RE040000K0	34	68	SM5030455SF	34	46	SM8040412TP	22	56
RE040000K0	40	25	SM5030455SF	36	37	SM8040412TP	24	56
RE040000K0	44	11	SM5030455SF	40	17	SM8040412TP	28	34
RE050000K0	24	75	SM5030655SN	18	56	SM8050512TP	12	37
RE050000K0	34	69	SM5030655SN	20	56	SM8050602TP	18	20
RE060000K0	12	25	SM5030655SN	22	36	ST5030851SN	2	17
RE070000K0	22	17	SM5030655SN	28	50	ST5030851SN	6	32
RE070000K0	28	3	SM5030655SN	30	50	ST5030851SN	16	58
RE080000K0	12	15	SM5030655SN	32	36	ST5030851SN	38	59
RE080000K0	24	48	SM5030655SN	36	29	ST5030851SN	44	24
RO133170100	12	7	SM5030655SN	40	8	ST5031051SN	6	60
SL4020491SC	40	11	SM5031001SC	36	43	ST5031051SN	8	60
SL4030591SC	38	57	SM5031001SE	38	48	ST5031051SN	44	28
SL4030691SC	6	62	SM5040855SN	2	35	ST5031251SF	4	4
SL4030691SC	8	62	SM5040855SN	6	69	ST5041051SN	40	1
SL4030691SC	18	61	SM5040855SN	8	69	WP0250501SC	24	65
SL4030691SC	20	61	SM5040855SN	12	35	WP0260116RZ	36	18
SL4030691SC	32	50	SM5040855SN	14	28	WP0310516RZ	32	42
SL4030691SC	34	50	SM5040855SN	18	45	WP0320501SC	36	36
SL4030891SC	8	73	SM5040855SN	22	92	WP0330816SF	14	26
SL4030891SC	18	52	SM5040855SN	24	92	WP0330816SF	18	4
SL4030891SC	20	52	SM5040855SN	28	44	WP0410516RZ	22	14
SL4030891SC	24	80	SM5040855SN	30	44	WP0410516RZ	32	23
SL4030891SC	32	29	SM5040855SN	32	71	WP0410516RZ	42	15
SL4031091SC	18	28	SM5040855SN	34	71	WP0520516RZ	20	63
SL4032081SC	38	62	SM5040855SN	36	64	WP0520516RZ	22	29
SL4032591SC	40	6	SM5040855SN	38	64	WP0520516RZ	32	59
SL4040691SC	14	24	SM5040855SN	40	12	WP0520516RZ	34	59
SL4051485SE	44	13	SM5040855SN	42	14	WP0620516RZ	28	45

NUMERICAL INDEX OF PARTS

PART NO	PAGE	REF NO.
WP0620516RZ	30	45
WP0621016SD	24	76
WP1021016SD	24	50
WZ0320290UZ	14	15