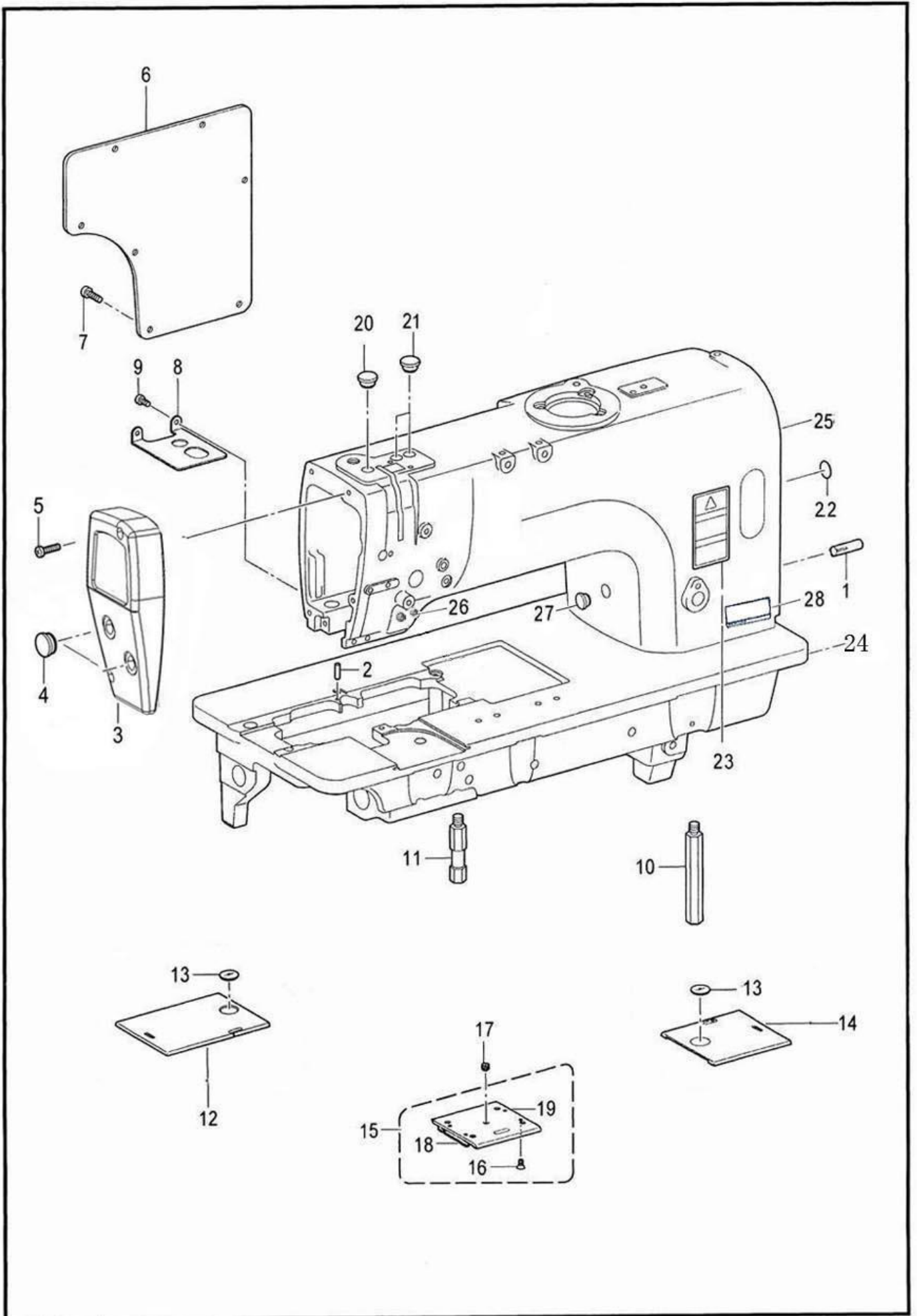


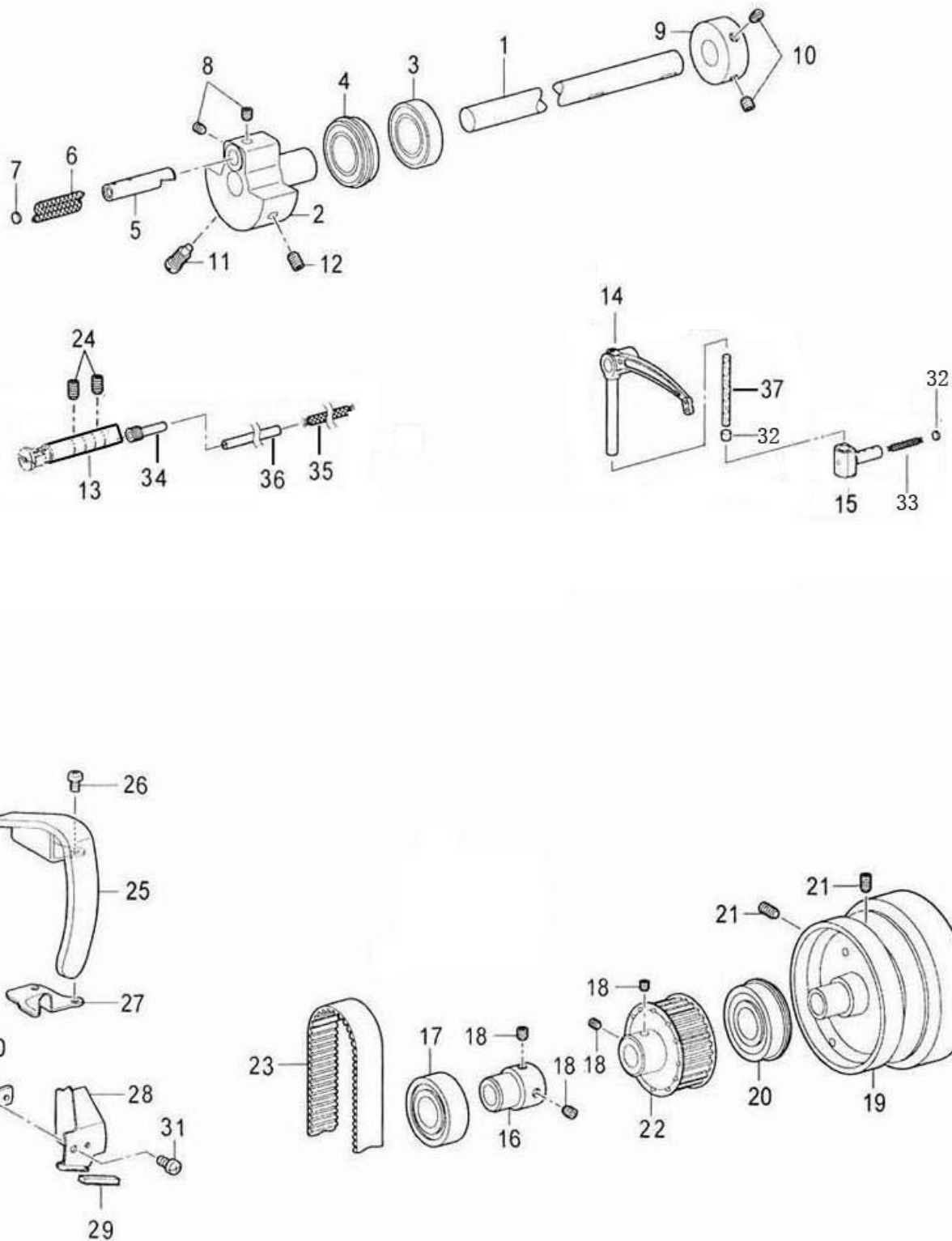
## CONTENTS

1、 MACHINE BODY.....	(1-2)
2、 UPPER SHAFT MECHANISM.....	(3-4)
3、 NEEDLE BAR ROCKING MECHANISM.....	(5-6)
4、 PRESSER FOOT MECHANISM.....	(7-8)
5、 FEED MECHANISM.....	(9-12)
6、 FEED SHAFT MECHANISM.....	(13-14)
7、 ROTARY HOOK MECHANISM.....	(15-18)
8、 LOWER SHAFT MECHANISM.....	(19-20)
9、 LUBRICATION.....	(21-24)
10、 THREADING MECHANISM.....	(25-26)
11、 BOBBIN WINDER MECHANISM.....	(27-28)
12、 ACCESSORIES.....	(29-32)
13、 SPIT MEDLE BAR MECHAMISM PARTS .....	(33-36)
INDEX.....	(37-43)

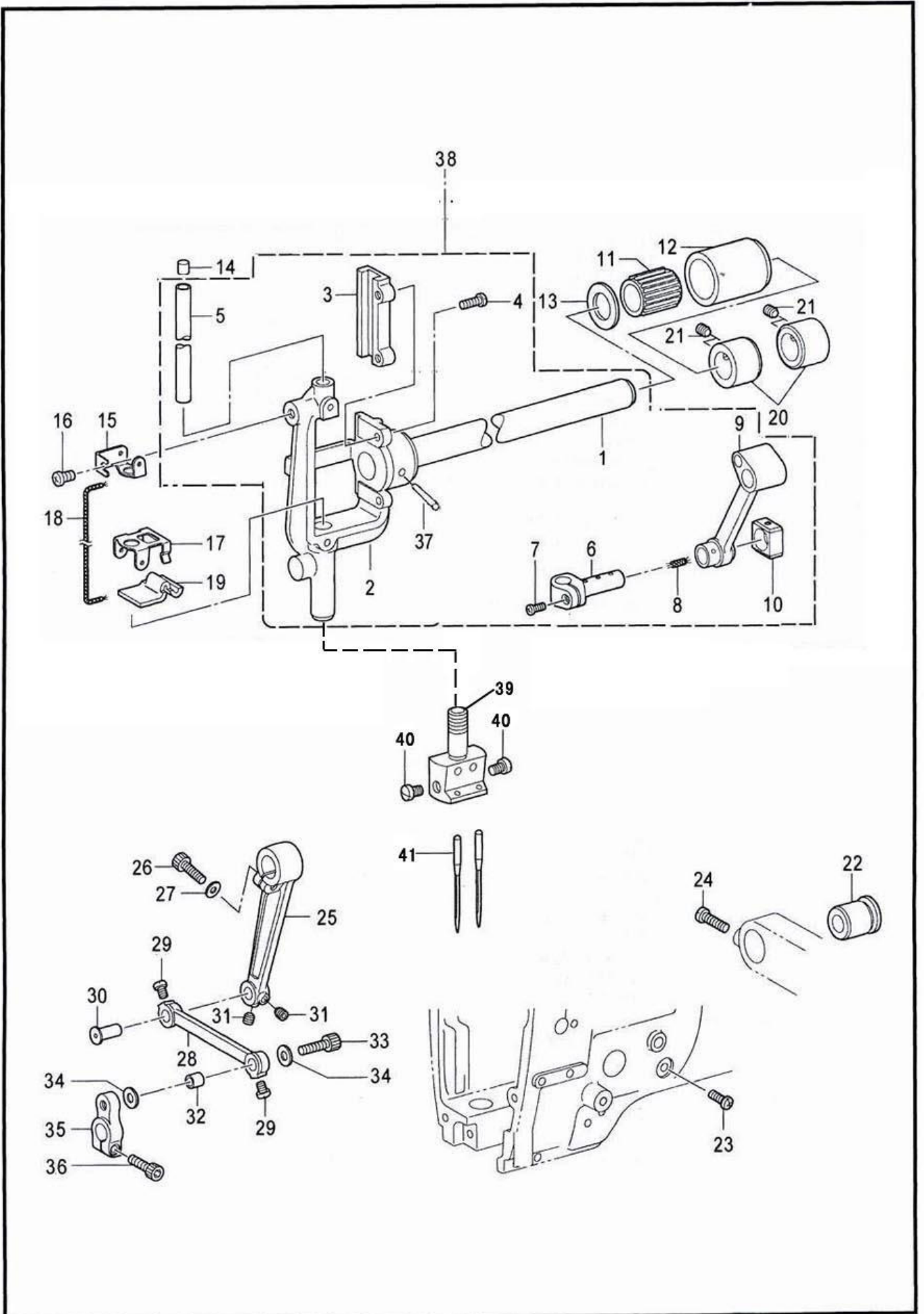
# 1. MACHINE BODY



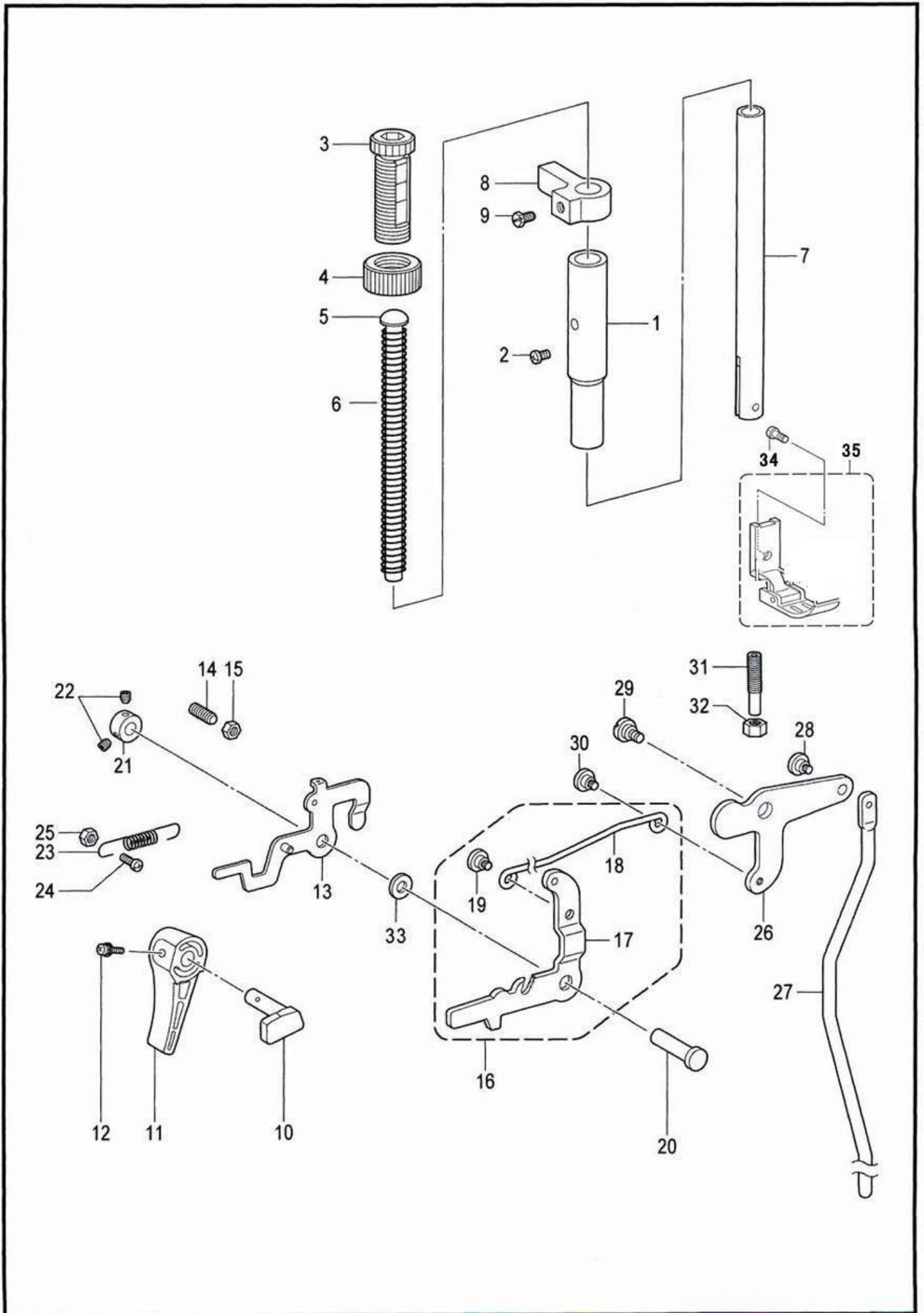
## 2. UPPER SHAFT MECHANISM



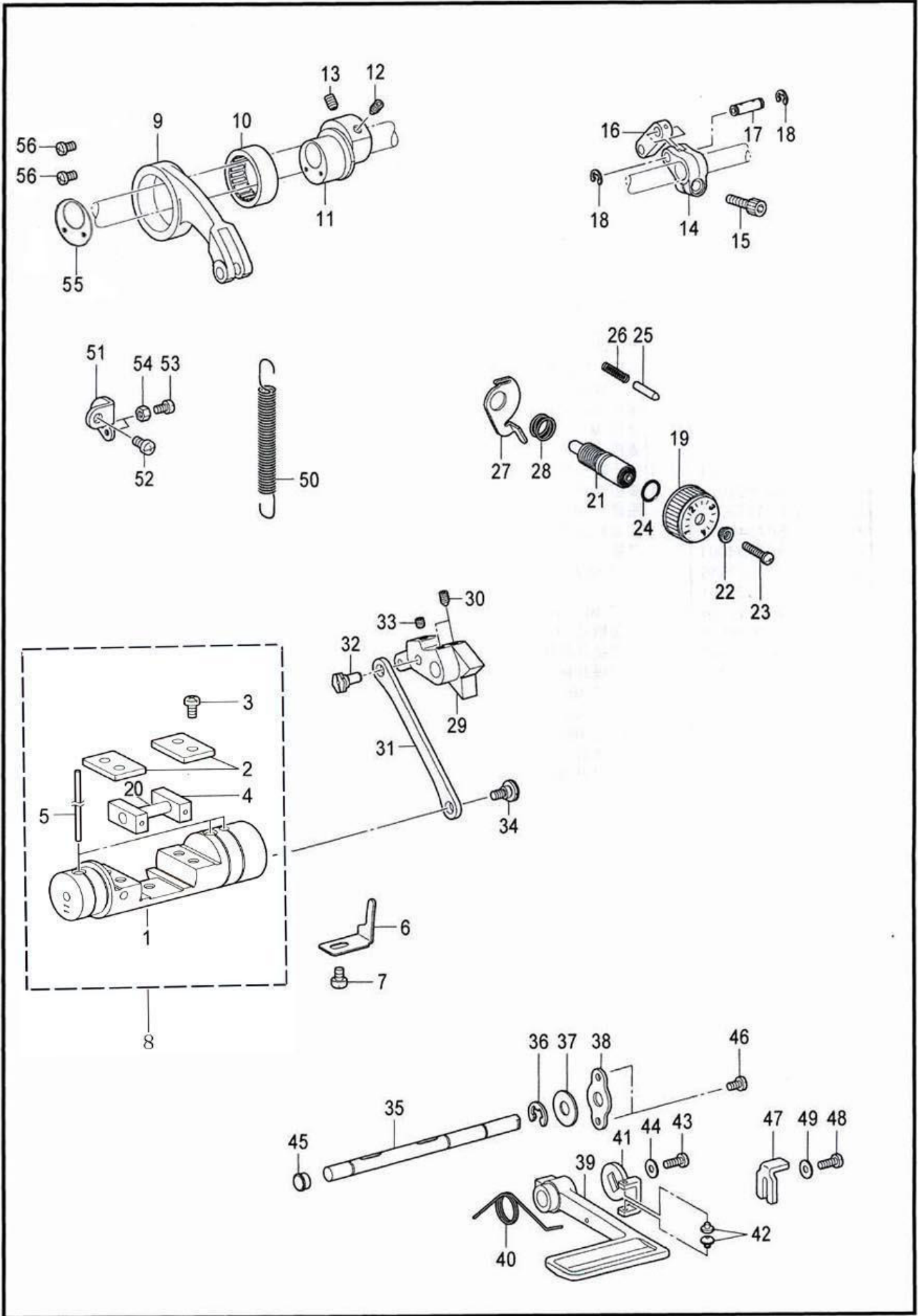
### 3. NEEDLE BAR ROCKING MECHANISM



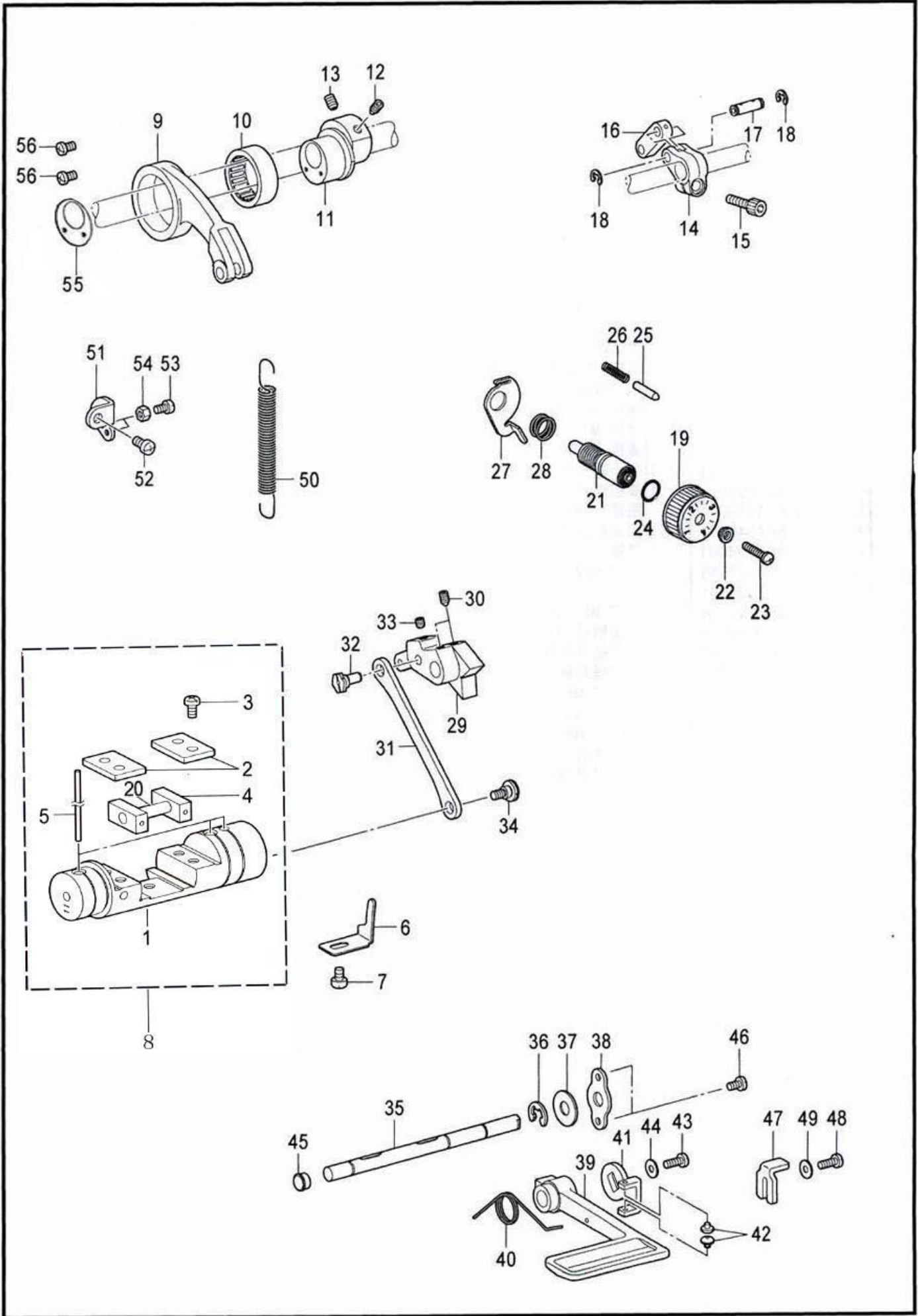
# 4. PRESSER FOOT MECHANISM



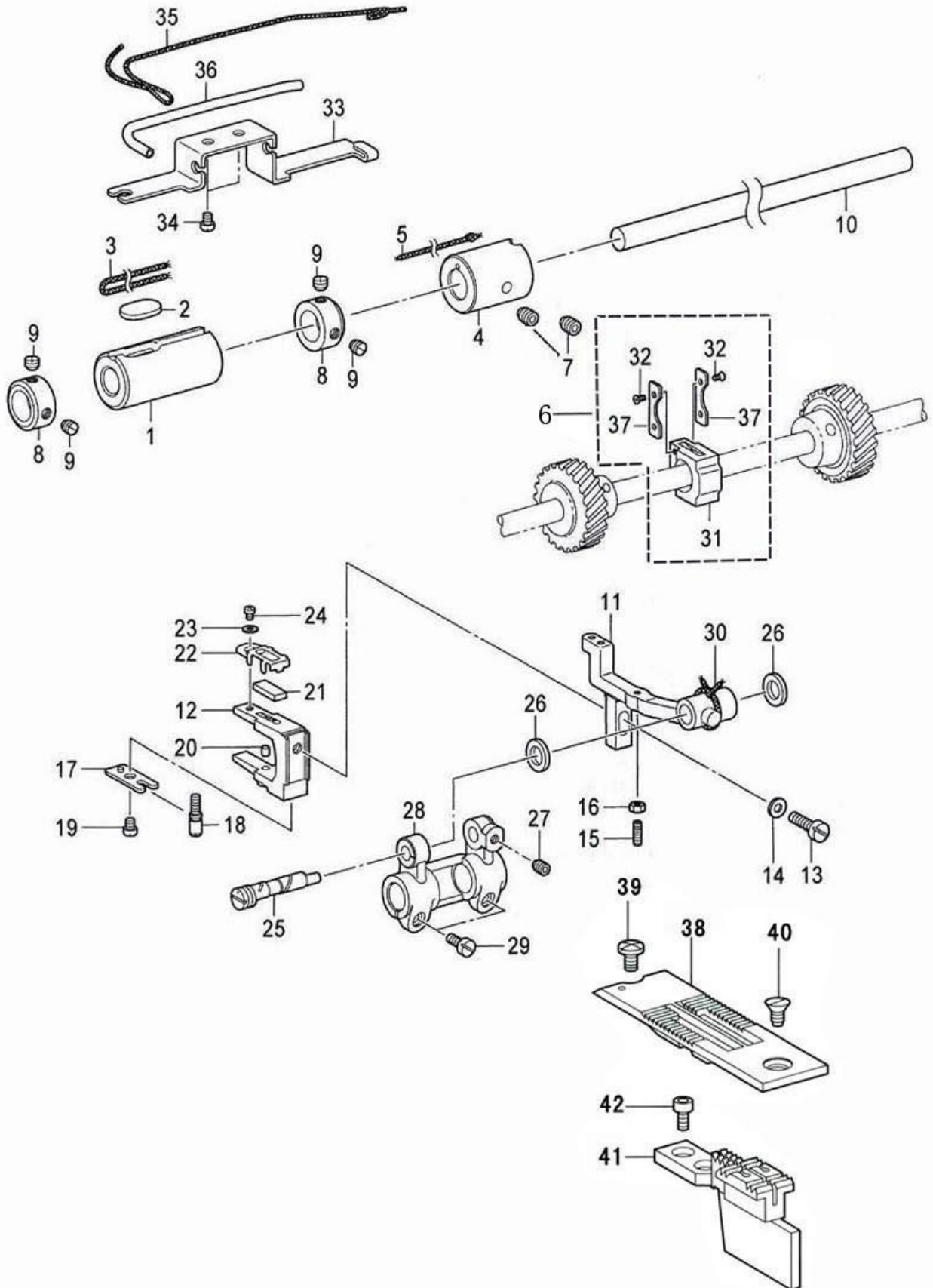
# 5. FEED MECHANISM



# 5. FEED MECHANISM

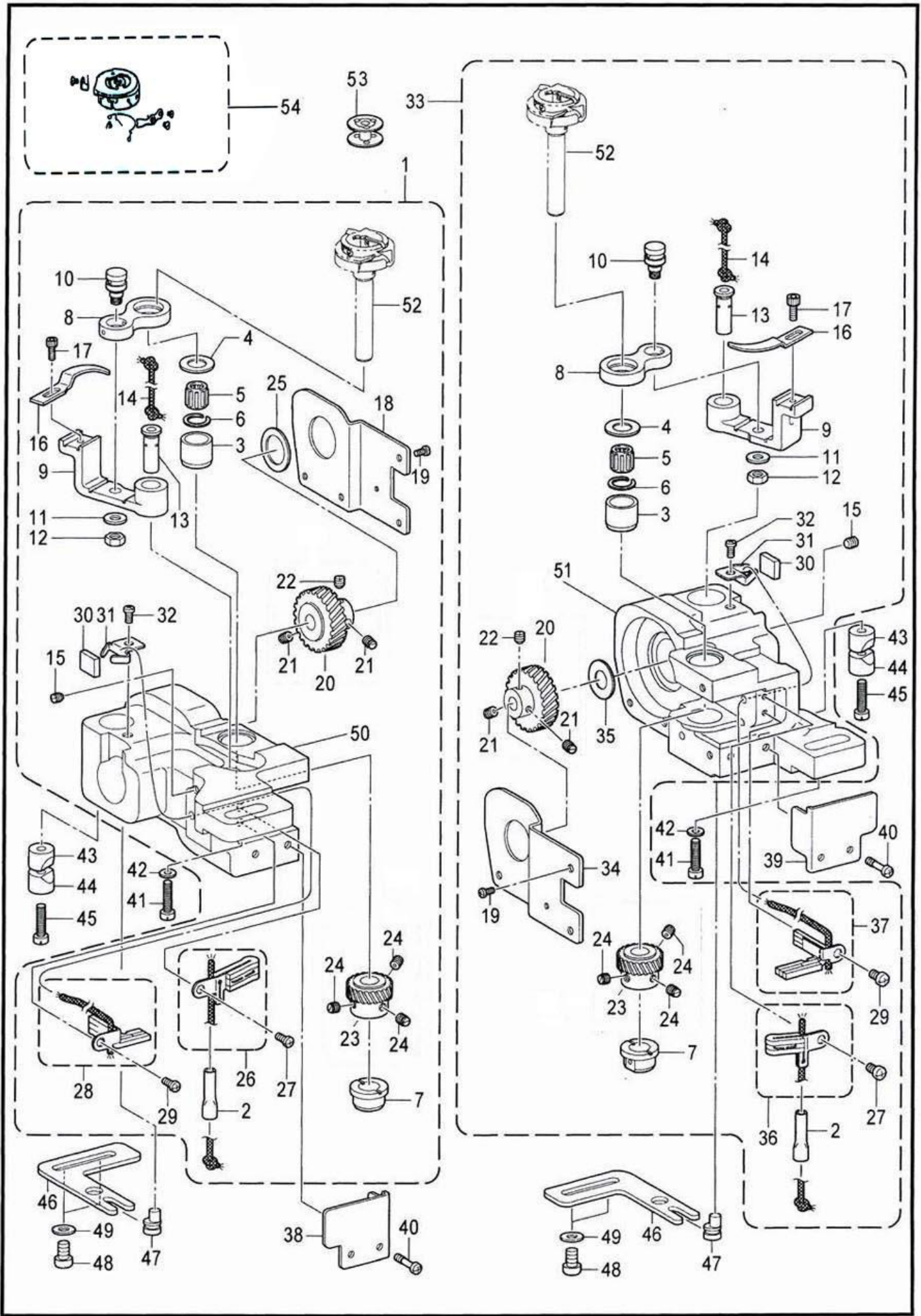


# 6. FEED SHAFT MECHANISM

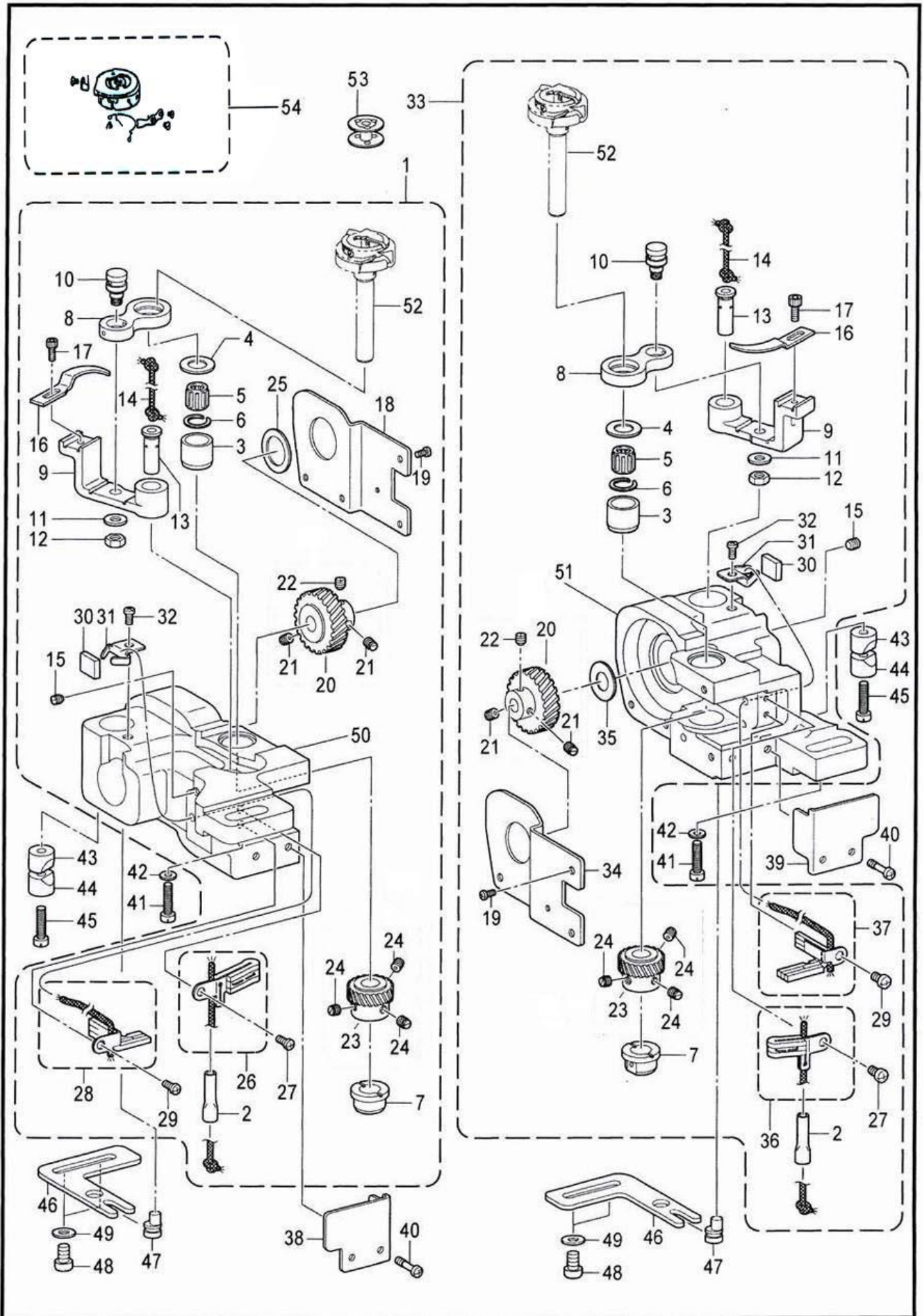




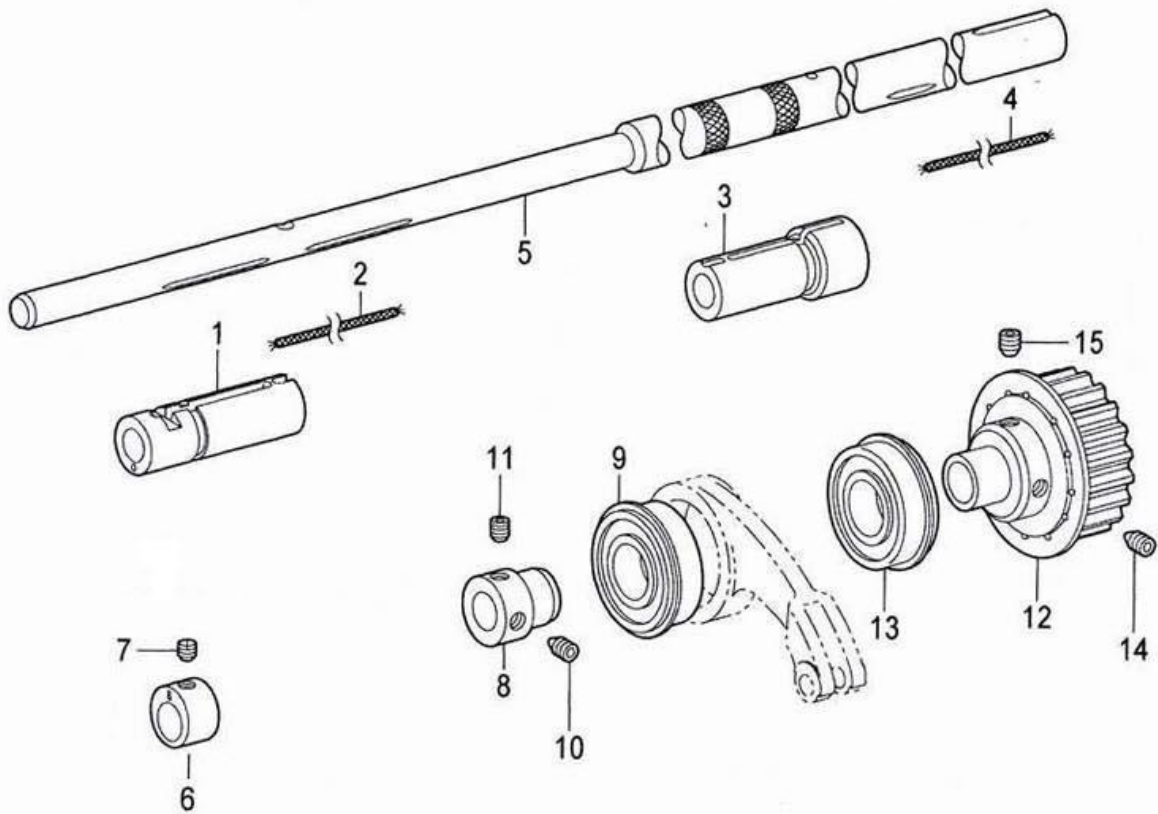
# 7 . ROTARY HOOK MECHANISM



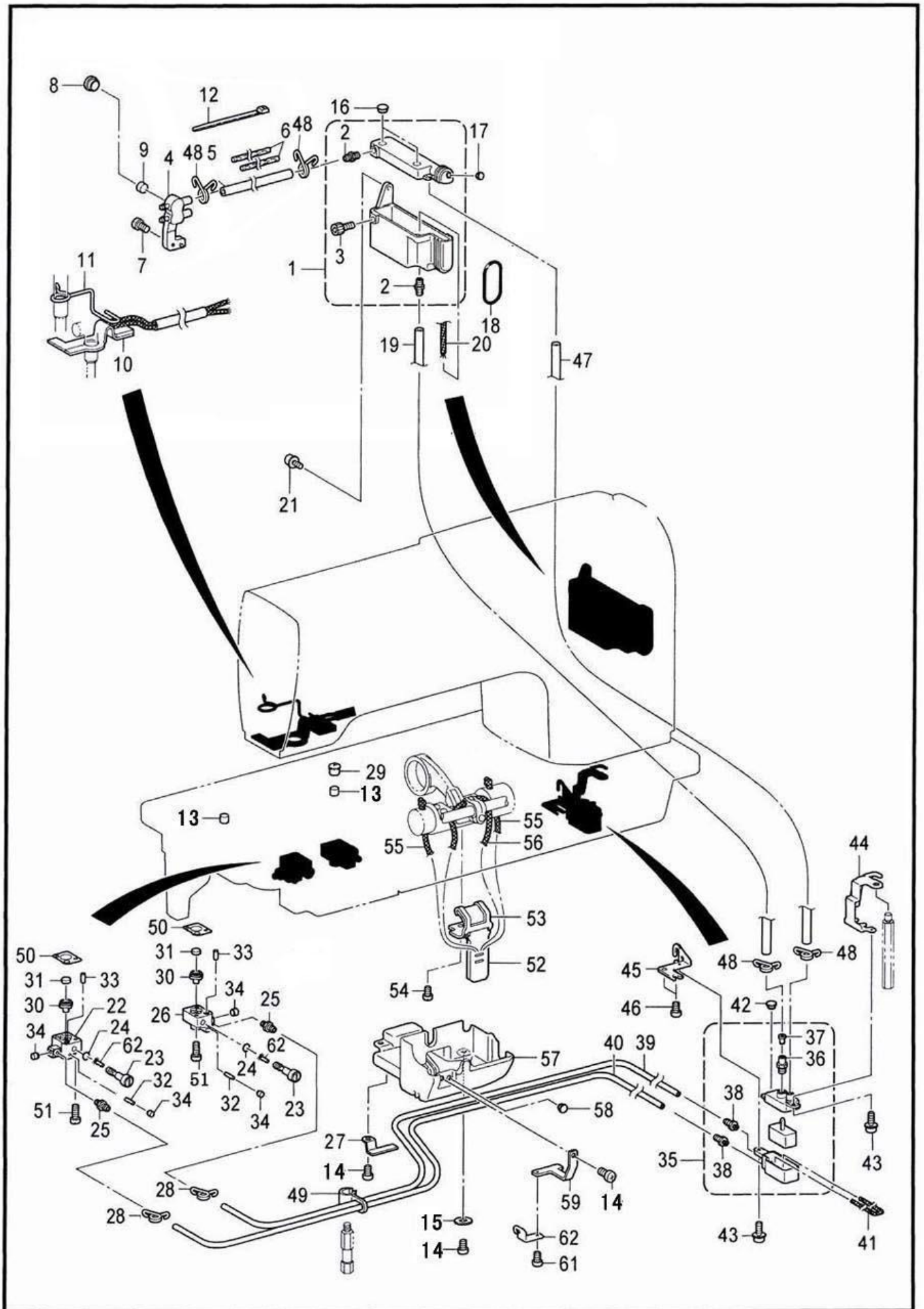
# 7 . ROTARY HOOK MECHANISM



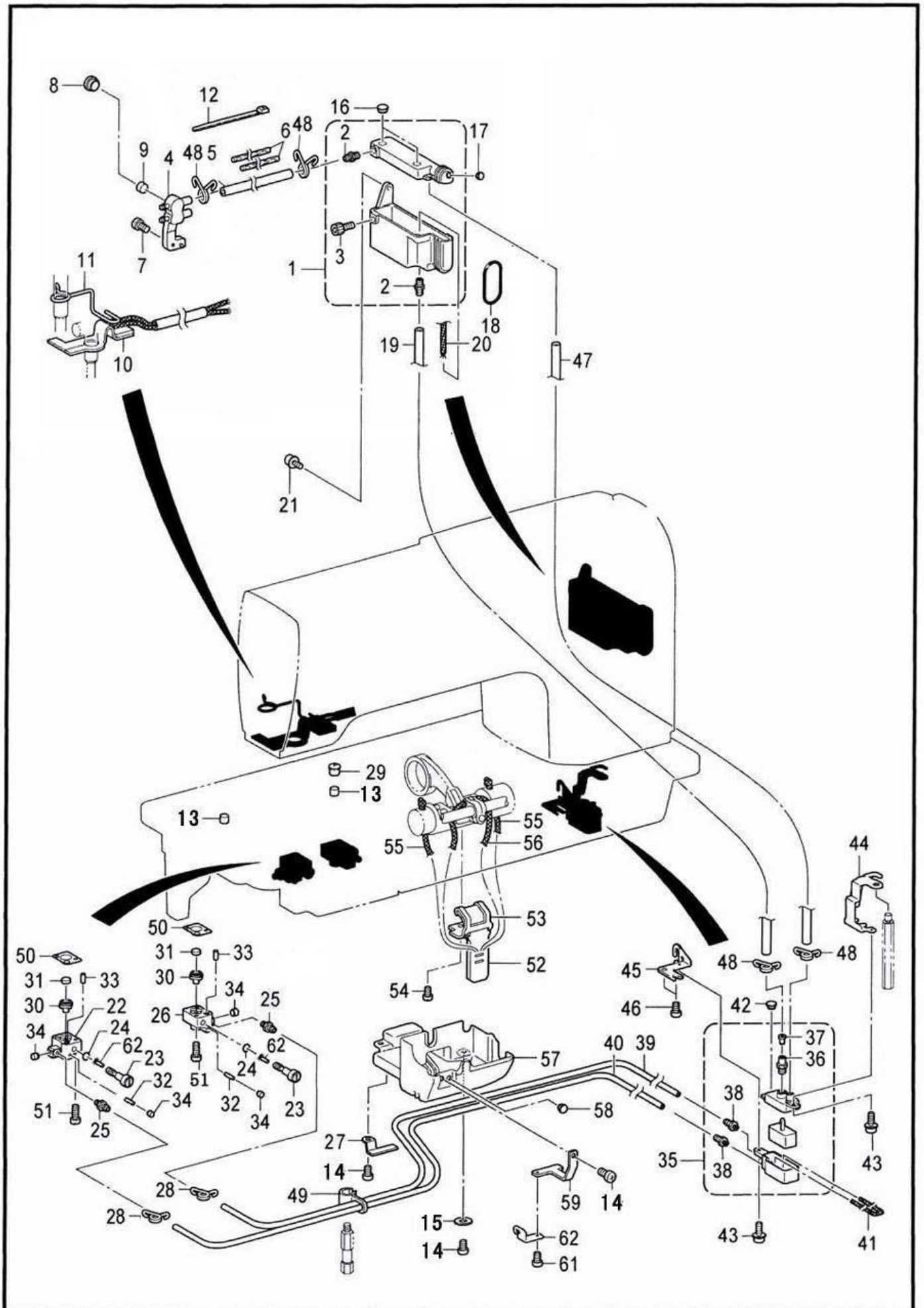
# 8 · LOWER SHAFT MECHANISM



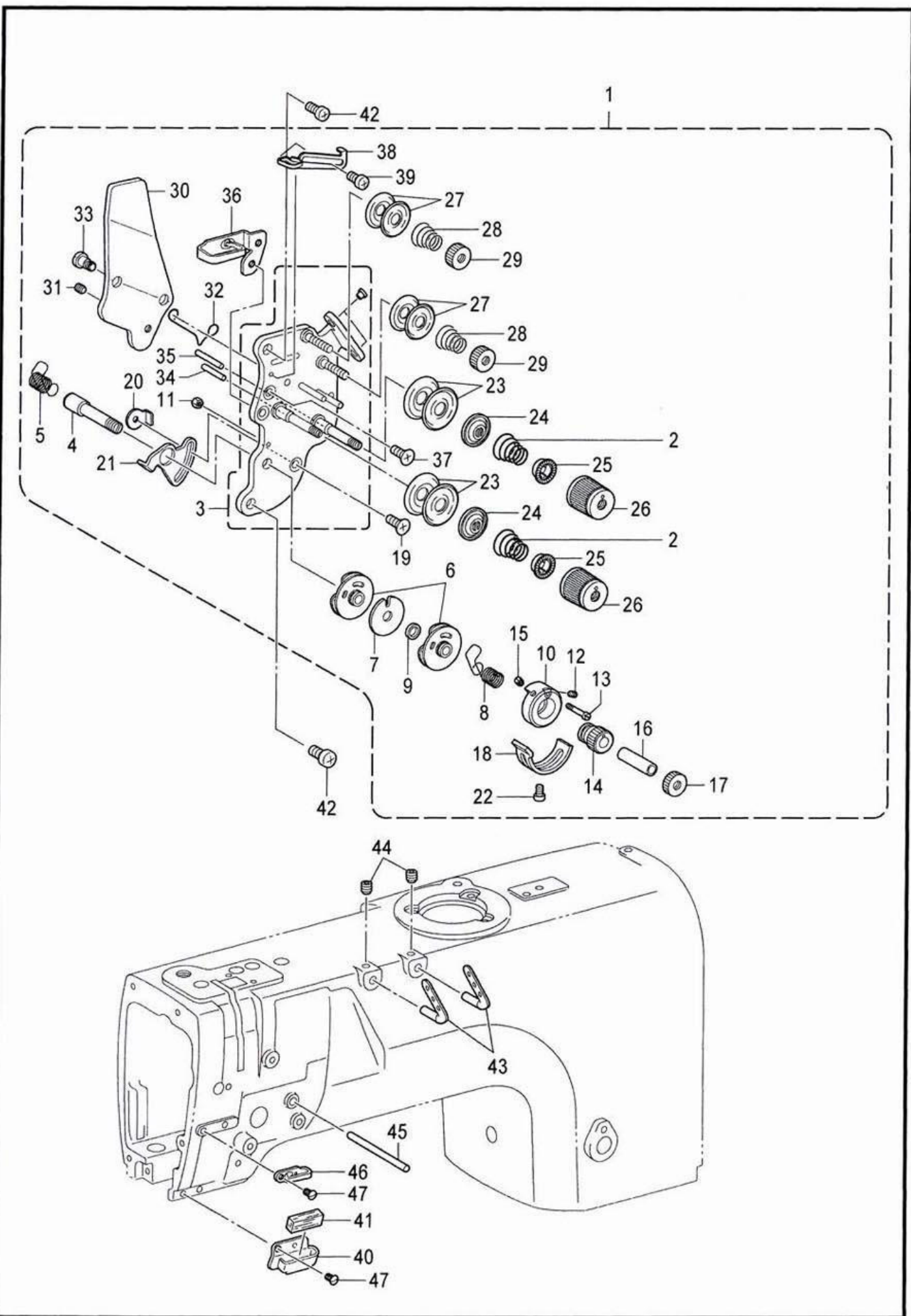
# 9. LUBRICATION



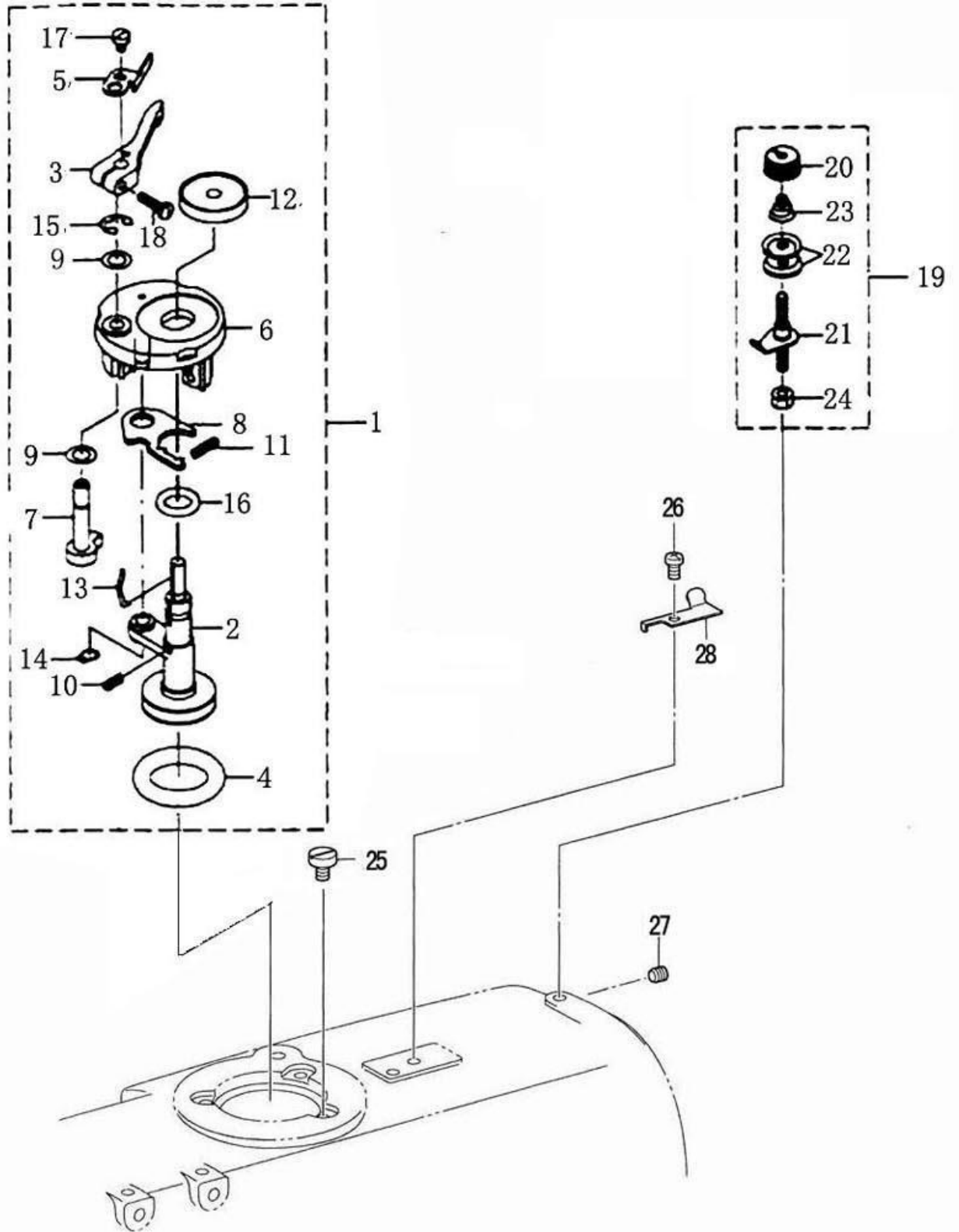
# 9. LUBRICATION



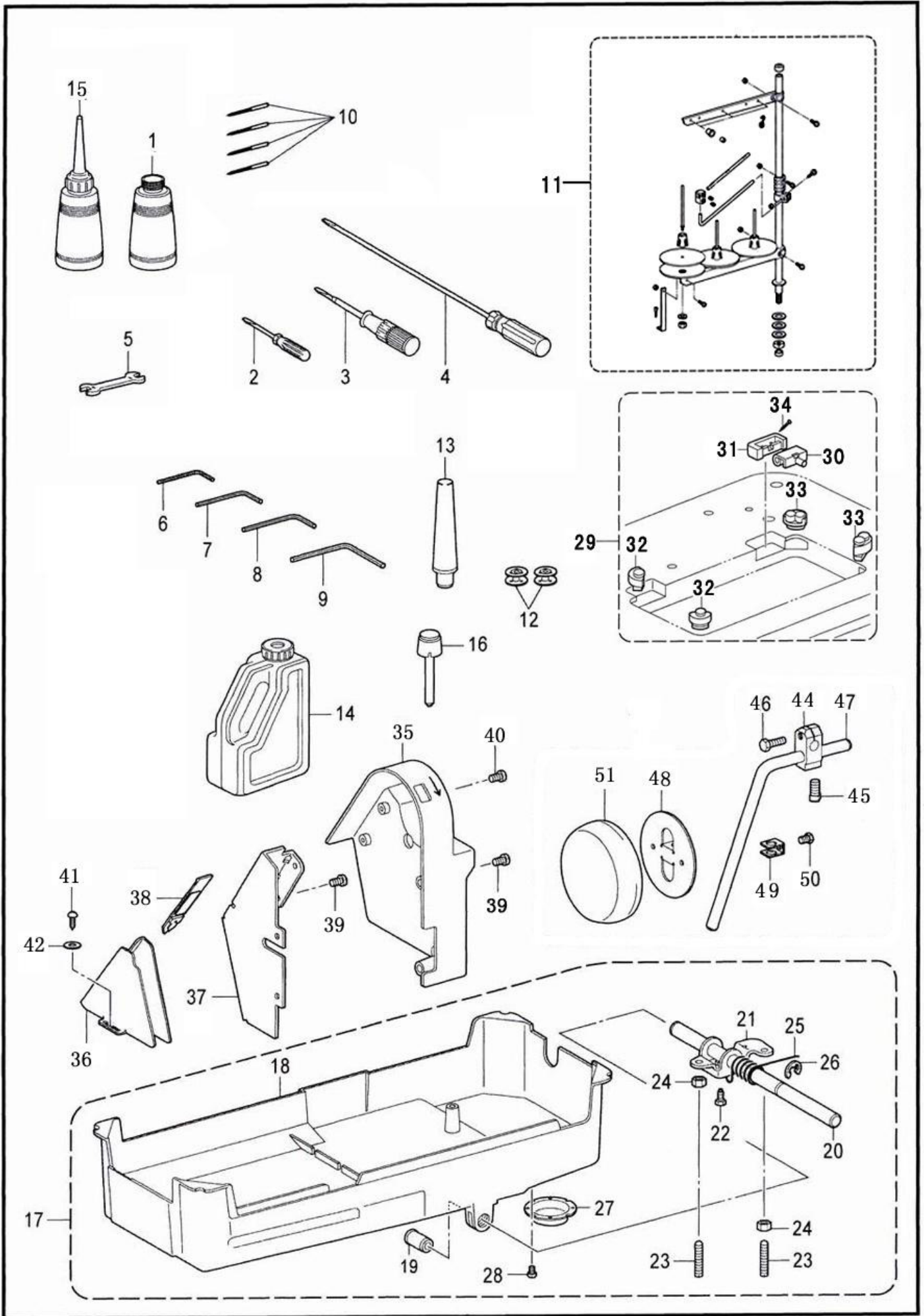
# 10. THREADING MECHANISM



# 11. BOBBIN WINDER MECHANISM

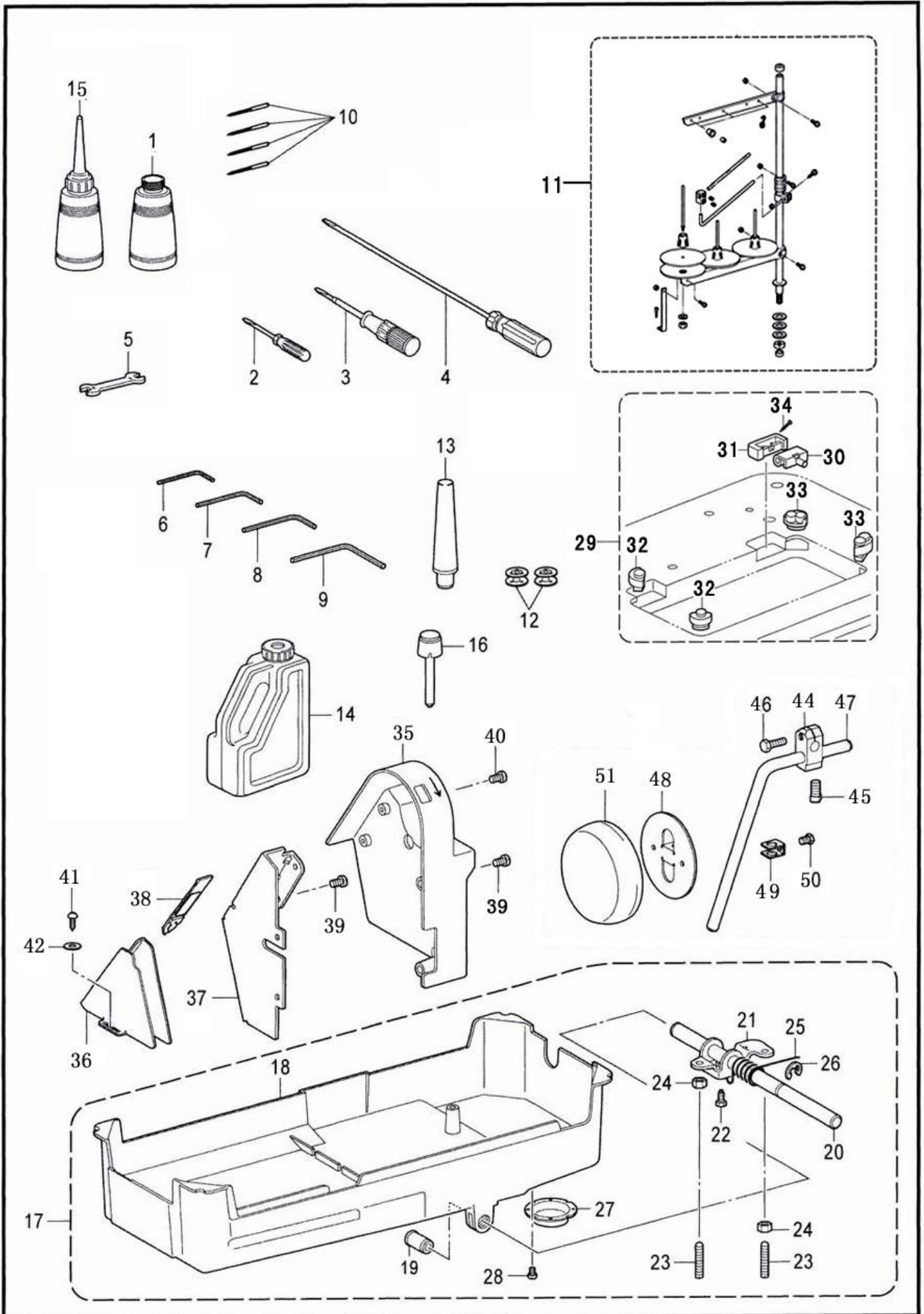


# 12. ACCESSORIES

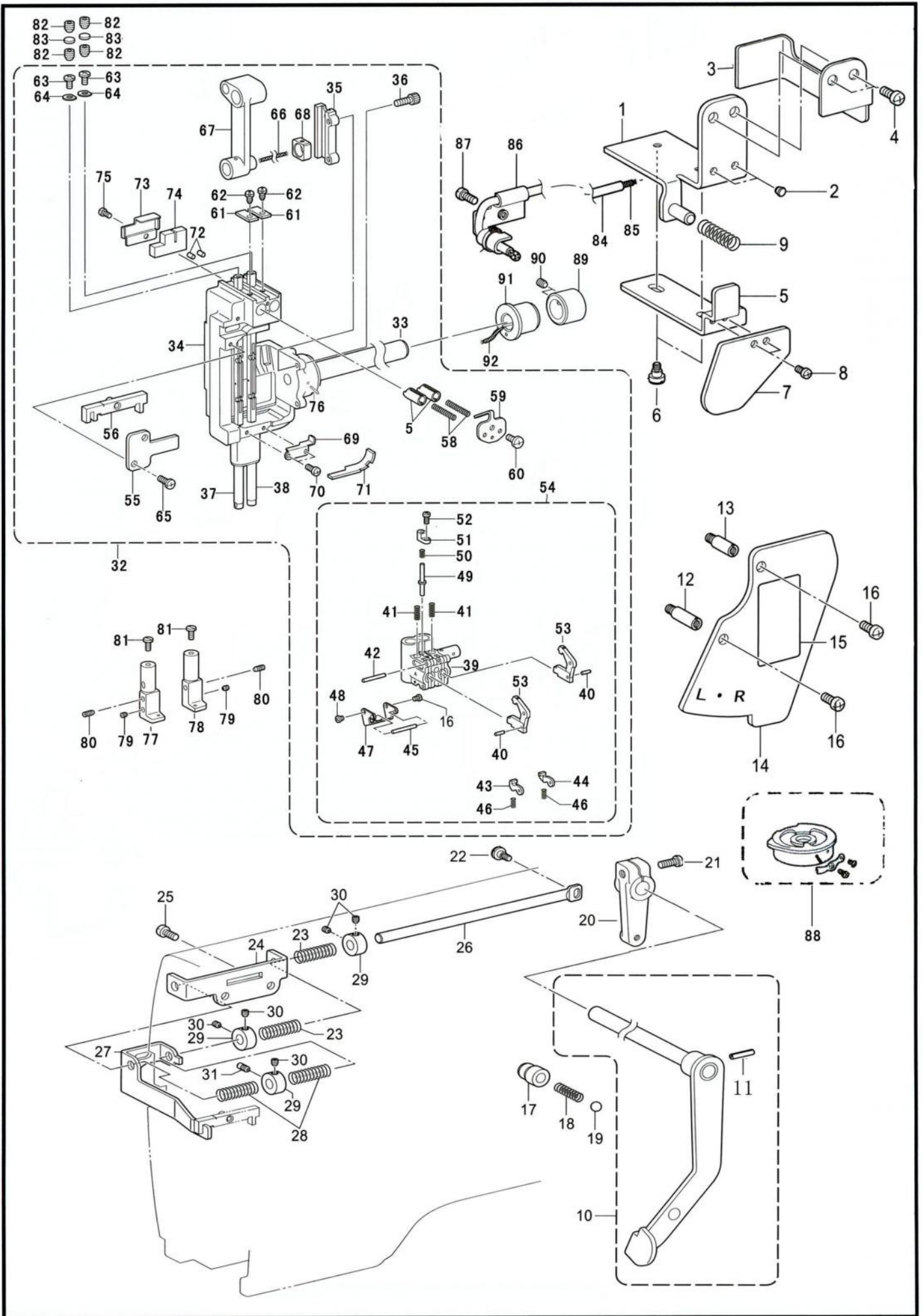




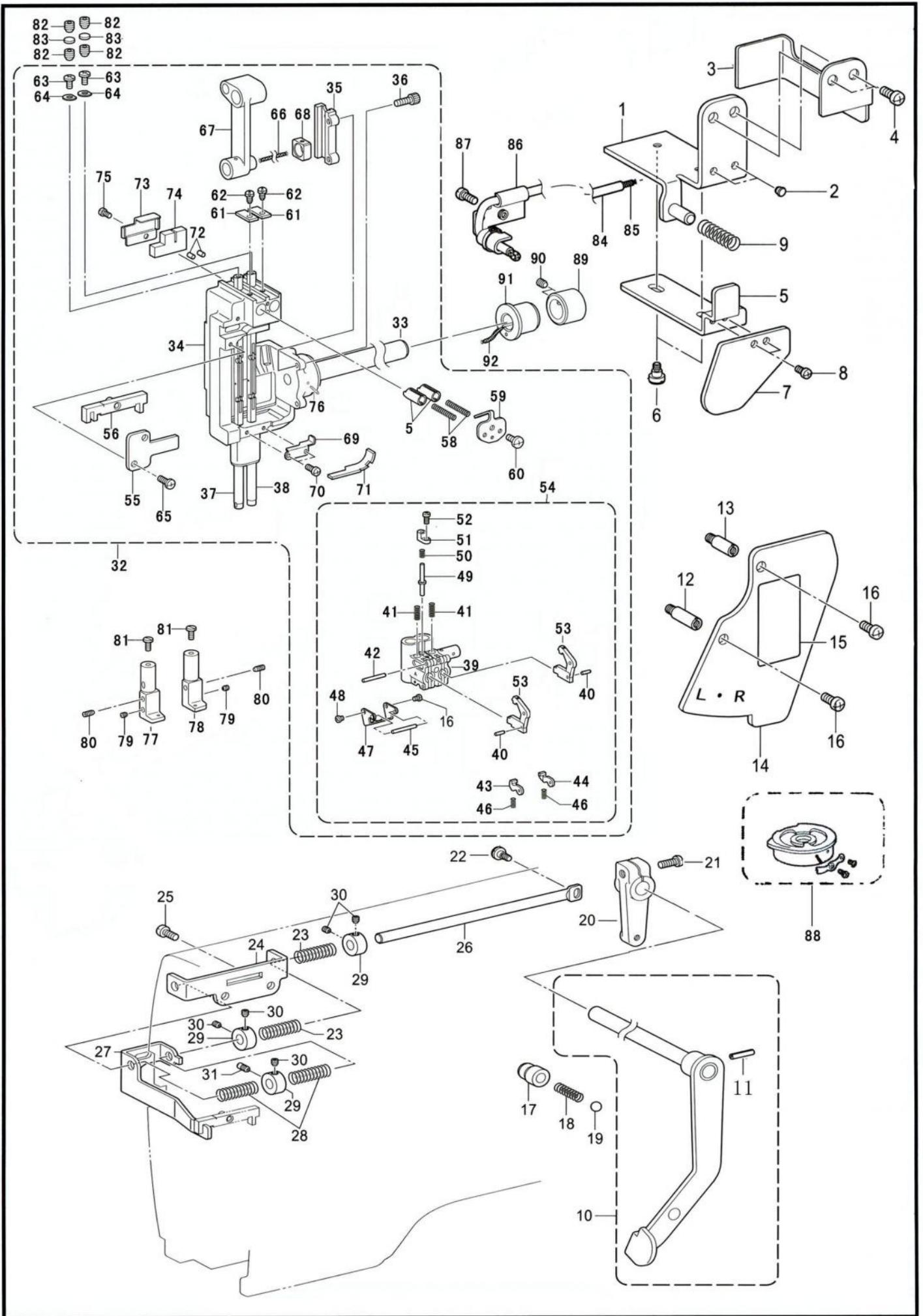
# 12. ACCESSORIES



# 13. SPIT MEDLE BAR MECHAMISM PARTS



# 13. SPIT MEDLE BAR MECHAMISM PARTS







### 3、 NEEDLE BAR ROCKING MECHANISM

NO.	REF NO	DESCRIPTION	(AMT. )							
			SW-4842	SW-4872L	SW-4845-3	SW-4845L-3	SW-4872	SW-4872H	SW-4875-3	SW-4875H-3
1	1224.03-01	NEEDLE BAR ROCKER SHAFT ASSY	(1)	(1)			(1)	(1)		
2	1224.03-02	NEEDLE BAR BASE ASSY	(1)	(1)			(1)	(1)		
3	1224.03-03	SLIDE BLOCK SLIDER	(1)	(1)			(1)	(1)		
4	12-60401022-01	SCREW,PAN M4×10	(2)	(2)			(2)	(2)		
5	1224.03-05	NEEDLE BAR	(1)	(1)			(1)	(1)		
6	1224.03-06	NEEDLE BAR CLAMP	(1)	(1)			(1)	(1)		
7	12-40350825-01	SCREW,PAN M3.5×7.5	(1)	(1)			(1)	(1)		
8	43-10400000-00	WICK,L=50	0.05	0.05			0.05	0.05		
9	1224.03-09	CRANK ROD,N-BAR	(1)	(1)			(1)	(1)		
10	1224.03-10	SLIDE BLOCK	(1)	(1)			(1)	(1)		
11	1224.03-11	NEEDLE BEARING	(1)	(1)			(1)	(1)		
12	1224.03-12	CASE	(1)	(1)			(1)	(1)		
13	21-16510280-01	WASHER,PLAIN	(1)	(1)			(1)	(1)		
14	132.10-29	CAP,N-BAR	(1)	(1)			(1)	(1)		
15	1224.03-15	FELT SUPPORT,U	(1)	(1)			(1)	(1)		
16	12-40500625-01	SCREW,PAN M5×6	(1)	(1)			(1)	(1)		
17	1224.03-17	FELT SUPPORT,D	(1)	(1)			(1)	(1)		
18	43-10400000-00	WICK,L=200	0.2	0.2			0.2	0.2		
19	1224.03-19	FELT	(1)	(1)			(1)	(1)		
20	1224.03-20	SET SCREW COLLAR	(2)	(2)			(2)	(2)		
21	12-85600512-01	SET SCREW,SOCKET(FT)M6×0.75×5	(4)	(4)			(4)	(4)		
22	1224.03-22	BUSH,R	1	1	1	1	1	1	1	1
23	12-40500825-01	SCREW,PAN M5×8	1	1	1	1	1	1	1	1
24	12-40601625-01	SCREW,PAN M6×16	1	1	1	1	1	1	1	1
25	1224.03-25	NEEDLE BAR ROCKER LEVER ASSY	1	1	1	1	1	1	1	1
26	12-60602022-01	BOLT,SOCKET M6×20	1	1	1	1	1	1	1	1
27	21-06510120-01	WASHER	1	1	1	1	1	1	1	1
28	1224.03-28	ROCKER LINK,N-BAR	1	1	1	1	1	1	1	1
29	12-40600525-01	SCREW,PAN M6×5	2	2	2	2	2	2	2	2
30	1224.03-30	LINK SHAFT,N-BAR ROCKER P	1	1	1	1	1	1	1	1
31	12-80600612-01	SET SCREW,SOCKET(FT)M6×6	2	2	2	2	2	2	2	2
32	1224.03-32	ZIGZAG LINK BUSH,P	1	1	1	1	1	1	1	1
33	12-60602522-01	BOLT,SOCKET M6×25	1	1	1	1	1	1	1	1
34	21-06218152-03	WASHER,PLAIN	2	2	2	2	2	2	2	2
35	1224.03-35	NEEDLE BAR ROCK ARM	1	1	1	1	1	1	1	1
36	12-60602022-01	BOLT,SOCKET M6×20	1	1	1	1	1	1	1	1
37	1224.03-37	PIN TAPER	(1)	(1)			(1)	(1)		
38	1224.03-38	NEEDLE BAR ROCK SHAFT ASSY	1	1			1	1		
39	132.13-01	NEEDLE CLAMP	1	1			1	1		
40	11-00090320-01	SCREW,SM9/64×40 L=3	2	2			2	2		
	135.13-13	SET SCREW(CP) SM3.18-40×4			2	2			2	2
41	132.01-10	NEEDLE,DPX5(#14)	2		2		2		2	
	133.01-10	NEEDLE,DPX5(#21)		2		2		2		2

#### 4、PRESSER FOOT MECHANISM

NO.	REF NO	DESCRIPTION	(AMT.)							
			SW-4842	SW-4872L	SW-4845-3	SW-4845L-3	SW-4872	SW-4872H	SW-4875-3	SW-4875H-3
1	1224.04-01	PRESSER BAR BUSH	1	1	1	1	1	1	1	1
2	12-40500825-01	SCREW,PAN M5×8	1	1	1	1	1	1	1	1
3	1224.04-03	PRESSER ADJUSTING SCREW,M14	1	1	1	1	1	1	1	1
4	1224.04-04	ADJUST SCREW NUT	1	1	1	1	1	1	1	1
5	132.03-05	SPRING GUIDE	1	1	1	1	1	1	1	1
6	124.03-42	PRESSER BAR SPRING,F	1	1	1	1	1	1	1	1
7	1224.04-07	PRESSER BAR	1	1	1	1	1	1	1	1
8	132.03-08	GUIDE BRACKET,P-BAR	1	1	1	1	1	1	1	1
9	11-90151020-01	BOLT,(CP) SM15/64"x28 L=10	1	1	1	1	1	1	1	1
10	1224.04-10	PRESSER BAR LIFTING CRANK	1	1	1	1	1	1	1	1
11	132.03-11	LIFTING LEVER	1	1	1	1	1	1	1	1
12	1224.04-12	SCREW,PAN (S/P W) M3.5×12	1	1	1	1	1	1	1	1
13	132.03-14	TENSION RELEASE PLATE	1	1	1	1	1	1	1	1
14	12-80601812-01	SET SCREW,SOCKET(FT)M6×18	1	1	1	1	1	1	1	1
15	14-60603210-02	NUT,3 M6	1	1	1	1	1	1	1	1
16	1224.04-16	KNEE LIFTER C-ROD ASSY	1	1	1	1	1	1	1	1
17	132.03-17	PRESSER BAR LIFTING LEVER	(1)	(1)	(1)	(1)	(1)	(1)	(1)	(1)
18	1224.04-18	KNEE LIFTER CONNECTING ROD	(1)	(1)	(1)	(1)	(1)	(1)	(1)	(1)
19	132.03-28	SHOULDER SCREW	(1)	(1)	(1)	(1)	(1)	(1)	(1)	(1)
20	132.03-18	P-BAR LIFTING LEVER SHAFT	1	1	1	1	1	1	1	1
21	132.03-20	SET SCREW COLLAR	1	1	1	1	1	1	1	1
22	11-80110412-01	SET SCREW,SOCKET SM11/64"X40L=4	2	2	2	2	2	2	2	2
23	132.03-22	SPRING,EXTENSION	1	1	1	1	1	1	1	1
24	12-40501425-01	SCREW,PAN M5×14	1	1	1	1	1	1	1	1
25	14-60504020-01	NUT, M5	1	1	1	1	1	1	1	1
26	1224.04-26	KNEE LIFTER LEVER	1	1	1	1	1	1	1	1
27	1224.04-27	KNEE LIFTER BAR	1	1	1	1	1	1	1	1
28	1224.04-19	SHOULDER SCREW	1	1	1	1	1	1	1	1
29	1224.04-29	SHOULDER SCREW, M6	1	1	1	1	1	1	1	1
30	1224.04-19	SHOULDER SCREW	1	1	1	1	1	1	1	1
31	1224.04-31	ADJUSTING SCREW,M6	1	1	1	1	1	1	1	1
32	14-60603210-02	NUT, M6	1	1	1	1	1	1	1	1
33	21-07205120-01	WASHER,PLAIN	1	1	1	1	1	1	1	1
34	132.13-07	SCREW,SM9/64×40 L=9	1	1	1	1	1	1	1	1
35	132.13-06	PRESSER FOOT ASSY	1	1	1	1				
	126.03-46	PRESSER FOOT ASSY					1	1	1	1











## 7、 ROTARY HOOK MECHANISM

NO.	REF NO	DESCRIPTION	(AMT. )							
			SW-4842	SW-4872L	SW-4845-3	SW-4845L-3	SW-4872	SW-4872H	SW-4875-3	SW-4875H-3
40	1224.07-40	SCREW,M3×12	4	4	4	4	4	4	4	4
41	12-60602520-01	SCREW,M6×25	2	2	2	2	2	2	2	2
42	21-06520200-01	WASHER,PLAIN 6.35	2	2	2	2	2	2	2	2
43	1224.07-43	PINCH SLEEVE A	2	2	2	2	2	2	2	2
44	1224.07-44	PINCH SLEEVE B	2	2	2	2	2	2	2	2
45	11-60153160-01	SCREW,SM15/64"X28 L=31	2	2	2	2	2	2	2	2
46	1224.07-46	NEEDLE UPPER POSITIONING PLATE	2	2	2	2	2	2	2	2
47	1224.07-47	NEEDLE UPPER POSITIONING SHAFT	2	2	2	2	2	2	2	2
48	12-40601025-01	SCREW,PAN M6×10	4	4	4	4	4	4	4	4
49	21-06510110-01	WASHER,PLAIN S 6	4	4	4	4	4	4	4	4
50	1224.07-50	ROTARY HOOK (FL)	(1)	(1)	(1)	(1)				
	1245.07-50	ROTARY HOOK BASE ASSY, 872TR(L)					(1)	(1)	(1)	(1)
51	1224.07-51	ROTARY HOOK (FR)	(1)	(1)	(1)	(1)				
	1245.07-51	ROTARY HOOK BASE ASSY, 872TR(R)					(1)	(1)	(1)	(1)
52	132.08-20	ROTARY	(2)							
	133.08-20	ROTARY		(2)						
	135.08-20	ROTARY			(2)	(2)				
	188.08-20	ROTARY					(2)	(2)		
	190.08-20	ROTARY							(2)	(2)
53	132.14-09	BOBBIN	2	2	2	2				
	126.10-08	BOBBIN					2	2	2	2
54	190.08-40	BOBBIN CASE ASSY							2	2
	135.08-40	BOBBIN CASE ASSY			2	2				

















### 13、SPIT MEDLE BAR MECHAMISM PARTS

NO.	REF NO	DESCRIPTION	(AMT. )							
			SW-4842	SW-4872L	SW-4845-3	SW-4845L-3	SW-4872	SW-4872H	SW-4875-3	SW-4875H-3
1	1253.04-01	INDICATION PLATE ASSY			1	1			1	1
2	1253.04-02	RUBBER CAP,4.3			2	2			2	2
3	1253.04-03	HOLDER PLATE COVER			1	1			1	1
4	12-40501025-01	SCREW,M5X10			2	2			2	2
5	1253.04-05	PUSH LEVER			1	1			1	1
6	1253.04-06	SHOULDER SCREW,M4			2	2			2	2
7	135.06-27	PLATE,PUSH LEVER			1	1			1	1
8	12-40350625-01	SCREW,M3.5X6			2	2			2	2
9	1253.04-09	SPRING			1	1			1	1
10	1253.04-10	STOP LEVER SHAFT ASSY			1	1			1	1
11	135.06-13-01	PIN			(1)	(1)			(1)	(1)
12	1253.04-12	STUD L			1	1			1	1
13	1253.04-13	STUD S			1	1			1	1
14	1253.04-14	FLIP-UP HOLDER PLATE			1	1			1	1
15	135.06-24-01	LABEL			1	1			1	1
16	12-40500825-01	SCREW,M5X8			2	2			2	2
17	135.06-15	BALL GUIDE BUSH			1	1			1	1
18	135.06-16	SPRING			1	1			1	1
19	135.06-17	BEARING,BALL			1	1			1	1
20	1253.04-20	QRM,LEVER SHAFT			1	1			1	1
21	12-40501425-01	SCREW,M5X14			1	1			1	1
22	1253.04-22	SHOULDER SCREW,M4			1	1			1	1
23	135.06-04	SPRING			2	2			2	2
24	1253.04-24	SLIDE SHAFT BRACKET			1	1			1	1
25	12-40500825-01	SCREW,M5X8			2	2			2	2
26	1253.04-26	SLIDE SHAFT			1	1			1	1
27	1253.04-27	SLIDE SHAFT SUPPORT PLATE			1	1			1	1
28	135.06-09	SPRING			2	2			2	2
29	135.06-10	SET SCREW COLLAR			3	3			3	3
30	11-80090410-01	SCREW SM9/64"X40 L=4			5	5			5	5
31	11-00090410-01	SCREW SM9/64"X40 L=4			1	1			1	1
32	1253.03-64	NEEDLE BAR ROCKER SHAFT ASSY			1	1			1	1
33	1253.03-01	NEEDLE BAR ROCKER SHAFT			(1)	(1)			(1)	(1)
34	1253.03-02	NEEDLE BAR BASE ASSY			(1)	(1)			(1)	(1)
35	1224.03-03	SLIDE BLOCK SLIDER			(1)	(1)			(1)	(1)
36	12-60401022-01	SCREW,PAN M4X10			(2)	(2)			(2)	(2)
37	1253.03-05	NEEDLE BAR ASSY,L			(1)	(1)			(1)	(1)
38	1253.03-06	NEEDLE BAR ASSY,R			(1)	(1)			(1)	(1)
39	1253.03-07	NEEDLE BAR CLAMP ASSY<Mark C>			(1)	(1)			(1)	(1)
40	1253.03-08	PIN,1.5X5.8			(2)	(2)			(2)	(2)
41	1253.03-09	SPRING,CLUTCH LEVER			(2)	(2)			(2)	(2)
42	1253.03-10	PIN 2X17.8			(1)	(1)			(1)	(1)
43	1253.03-11	CLUTCH STOPPER,L			(1)	(1)			(1)	(1)
44	1253.03-12	CLUTCH STOPPER,R			(1)	(1)			(1)	(1)
45	1253.03-13	PIN 2X17.8			(1)	(1)			(1)	(1)
46	1253.03-14	SPRING			(2)	(2)			(2)	(2)
47	1253.03-15	SPRING HOLDER			(1)	(1)			(1)	(1)

### 13、SPRIT NEEDLE BAR MECHAMISM PARTS

NO.	REF NO	DESCRIPTION	(AMT.)							
			SW-4842	SW-4872L	SW-4845-3	SW-4845L-3	SW-4872	SW-4872H	SW-4875-3	SW-4875H-3
48	1253.03-16	SCREW PAN M2.6×3			(2)	(2)			(2)	(2)
49	1253.03-17	PIN			(1)	(1)			(1)	(1)
50	1253.03-18	SPRING,RELEASE PIN			(1)	(1)			(1)	(1)
51	1253.03-19	PIN COVER			(1)	(1)			(1)	(1)
52	1253.03-20	SCREW PAN M2.6×5			(1)	(1)			(1)	(1)
53	1253.03-21	CLUTCH LEVER ASSY			(2)	(2)			(2)	(2)
54	1253.03-65	NEEDLE BAR CLAMP ASSY			1	1			1	1
55	1253.03-22	SLIDE BLOCK GUIDE PLATE			(1)	(1)			(1)	(1)
56	1253.03-23	SLIDE BLOCK ASSY			(1)	(1)			(1)	(1)
57	1253.03-24	STOPPER,N-BAR			(2)	(2)			(2)	(2)
58	1253.03-25	SPRING,N-BAR STOPPER			(2)	(2)			(2)	(2)
59	1253.03-26	SPRING COVER			(1)	(1)			(1)	(1)
60	1253.03-27	SCREW BIND M3.5×6			(1)	(1)			(1)	(1)
61	1253.03-28	ROTATE STOPPER,N-BAR			(2)	(2)			(2)	(2)
62	1253.03-29	SCREW BIND M3.5×6			(2)	(2)			(2)	(2)
63	1253.03-27	SCREW BIND M3.5×6			(2)	(2)			(2)	(2)
64	1253.03-31	WASHER,PLANE			(2)	(2)			(2)	(2)
65	12-40350825-01	SCREW PAN M3.5X7.5			(2)	(2)			(2)	(2)
66	43-10400000-00	FELT L=50			0.05	0.05			0.05	0.05
67	1253.03-34	CRANK ROD,N-BAR			(1)	(1)			(1)	(1)
68	1253.03-35	SLIDE BLOCK			(1)	(1)			(1)	(1)
69	1253.03-36	FELT SUPPORT,D			(1)	(1)			(1)	(1)
70	1253.03-37	SCREW PAN M3.5×5			(1)	(1)			(1)	(1)
71	1253.03-38	FELT			(1)	(1)			(1)	(1)
72	1253.03-39	FELT			(2)	(2)			(2)	(2)
73	1253.03-40	FELT SUPPORT			(1)	(1)			(1)	(1)
74	1253.03-41	FELT			(1)	(1)			(1)	(1)
75	1253.03-42	SCREW PAN M3.5×6			(1)	(1)			(1)	(1)
76	1253.03-63	PIN			1	1			1	1
77	135.13-10	NEEDLE CLAMP L			1	1			1	1
78	135.13-11	NEEDLE CLAMP R			1	1			1	1
79	11-80580412-01	SET SCREW SM1/8X40 L=4			2	2			2	2
80	11-80580612-01	SET SCREW SM1/8X40 L=6			2	2			2	2
81	11-60580722-01	SET SCREW,SM3.18			2	2			2	2
82	12-80800812-01	SET SCREW,SOCKET(FT)M8×8			4	4			4	4
83	1253.03-44	SPACER,5.2			2	2			2	2
84	1253.14-14	OIL TUBE,L=280			1	1			1	1
85	1253.14-15	WICK L=410			1	1			1	1
86	1253.14-16	OIL SUPPORT			1	1			1	1
87	12-40501025-01	SCREW PAN M5×10			1	1			1	1
88	135.08-40	BOBBIN CASE ASSY			1	1				
	190.08-40	BOBBIN CASE ASSY							1	1
89	1224.03-20	SET SCREW COLLAR			1	1				
90	12-80600512-01	SET SCREW,SOCKET(FT)M6×5			2	2			2	2
91	1253.03-61	BUSH,L			1	1			1	1
92	43-10400000-00	WICK,4×4 L=150			0.15	0.15			0.15	0.15





## 索引 INDEX

部件/ 序号	图号 REF NO	8420		8450		8720		8750	
		M	H	M	H	M	B	M	B
9/31	1224.10-31	2	2	2	2	2	2	2	2
9/33	1224.10-33	2	2	2	2	2	2	2	2
9/34	1224.10-34	4	4	4	4	4	4	4	4
9/35	1224.10-35	1	1	1	1	1	1	1	1
9/37	1224.10-37	(1)	(1)	(1)	(1)	(1)	(1)	(1)	(1)
9/25	1224.10-38	2	2	2	2	2	2	2	2
9/42	1224.10-42	1	1	1	1	1	1	1	1
9/58	1224.10-42	1	1	1	1	1	1	1	1
9/44	1224.10-44	1	1	1	1	1	1	1	1
9/45	1224.10-45	1	1	1	1	1	1	1	1
9/48	1224.10-48	2	2	2	2	2	2	2	2
9/49	1224.10-49	1	1	1	1	1	1	1	1
9/50	1224.10-50	2	2	2	2	2	2	2	2
9/52	1224.10-52	1	1	1	1	1	1	1	1
9/53	1224.10-53	1	1	1	1	1	1	1	1
9/57	1224.10-57	1	1	1	1	1	1	1	1
9/59	1224.10-59	1	1	1	1	1	1	1	1
9/60	1224.10-60	1	1	1	1	1	1	1	1
9/27	1224.10-62	1	1	1	1	1	1	1	1
9/62	1224.10-63	2	2	2	2	2	2	2	2
10/1	1224.11-01	1		1		1		1	
10/2	1224.11-02	(2)		(2)		(2)		(2)	
10/3	1224.11-03	(1)	(1)	(1)	(1)	(1)	(1)	(1)	(1)
10/4	1224.11-04	(1)	(1)	(1)	(1)	(1)	(1)	(1)	(1)
10/6	1224.11-06	(2)	(2)	(2)	(2)	(2)	(2)	(2)	(2)
10/7	1224.11-07	(1)	(1)	(1)	(1)	(1)	(1)	(1)	(1)
10/10	1224.11-10	(1)	(1)	(1)	(1)	(1)	(1)	(1)	(1)
10/13	1224.11-13	(1)	(1)	(1)	(1)	(1)	(1)	(1)	(1)
10/14	1224.11-14	(1)	(1)	(1)	(1)	(1)	(1)	(1)	(1)
10/16	1224.11-16	(1)	(1)	(1)	(1)	(1)	(1)	(1)	(1)
10/17	1224.11-17	(1)	(1)	(1)	(1)	(1)	(1)	(1)	(1)
10/18	1224.11-18	(1)	(1)	(1)	(1)	(1)	(1)	(1)	(1)
11/19	1224.11-19	1	1	1	1	1	1	1	1
10/20	1224.11-20	(1)	(1)	(1)	(1)	(1)	(1)	(1)	(1)
10/21	1224.11-21	(1)	(1)	(1)	(1)	(1)	(1)	(1)	(1)
10/26	1224.11-26	(2)	(2)	(2)	(2)	(2)	(2)	(2)	(2)
10/30	1224.11-30	(1)	(1)	(1)	(1)	(1)	(1)	(1)	(1)
10/33	1224.11-33	(2)	(2)	(2)	(2)	(2)	(2)	(2)	(2)
10/36	1224.11-36	(1)	(1)	(1)	(1)	(1)	(1)	(1)	(1)
10/38	1224.11-38	(1)	(1)	(1)	(1)	(1)	(1)	(1)	(1)
10/40	1224.11-40	1	1	1	1	1	1	1	1
10/43	1224.11-43	2	2	2	2	2	2	2	2
10/45	1224.11-45	1	1	1	1	1	1	1	1
10/46	1224.11-46	1	1	1	1	1	1	1	1

部件/ 序号	图号 REF NO	8420		8450		8720		8750	
		M	H	M	H	M	B	M	B
11/28	1224.12-26	1	1	1	1	1	1	1	1
12/17	1224.13-17	1	1	1	1	1	1	1	1
12/18	1224.13-17-01	(1)	(1)	(1)	(1)	(1)	(1)	(1)	(1)
12/20	1224.13-20	(1)	(1)	(1)	(1)	(1)	(1)	(1)	(1)
12/29	1224.13-29	1	1	1	1	1	1	1	1
12/32	1224.13-32	(2)	(2)	(2)	(2)	(2)	(2)	(2)	(2)
12/33	1224.13-33	(2)	(2)	(2)	(2)	(2)	(2)	(2)	(2)
12/35	1224.13-37	1	1	1	1	1	1	1	1
12/36	1224.13-38	1	1	1	1	1	1	1	1
12/37	1224.13-39	1	1	1	1	1	1	1	1
12/38	1224.13-40	1	1	1	1	1	1	1	1
1/28	1225.01--25		1						
2/14	1225.02-14-01		1		1				
5/8	1225.05-00		1		1				
5/1	1225.05-01		(1)		(1)				
4/6	124.03-42	1	1	1	1	1	1	1	1
12/10	124.04-24	1包		1包		1包		1包	
2/4	124.09-23	1	1	1	1	1	1	1	1
12/12	124.10-08	4	4	4	4				
12/5	124.12-04	1	1	1	1	1	1	1	1
1/28	1240.01-25			1					
1/28	1241.01-25				1				
1/28	1242.01-25					1			
1/28	1243.01-25						1		
1/28	1244.01-25							1	
1/25	1245.01-22			1	1			1	1
1/28	1245.01-25								1
7/50	1245.07-50					(1)	(1)	(1)	(1)
7/51	1245.07-51					(1)	(1)	(1)	(1)
1/3	1253.01-03			1	1			1	1
1/8	1253.01-11			1	1			1	1
2/2	1253.02-02			1	1			1	1
2/14	1253.02-14-01					1	1	1	1
2/28	1253.02-29			1	1			1	1
13/33	1253.03-01			(1)	(1)			(1)	(1)
13/34	1253.03-02			(1)	(1)			(1)	(1)
13/37	1253.03-05			(1)	(1)			(1)	(1)
13/38	1253.03-06			(1)	(1)			(1)	(1)
13/39	1253.03-07			(1)	(1)			(1)	(1)
13/40	1253.03-08			(2)	(2)			(2)	(2)
13/41	1253.03-09			(2)	(2)			(2)	(2)
13/42	1253.03-10			(1)	(1)			(1)	(1)
13/43	1253.03-11			(1)	(1)			(1)	(1)
13/44	1253.03-12			(1)	(1)			(1)	(1)











