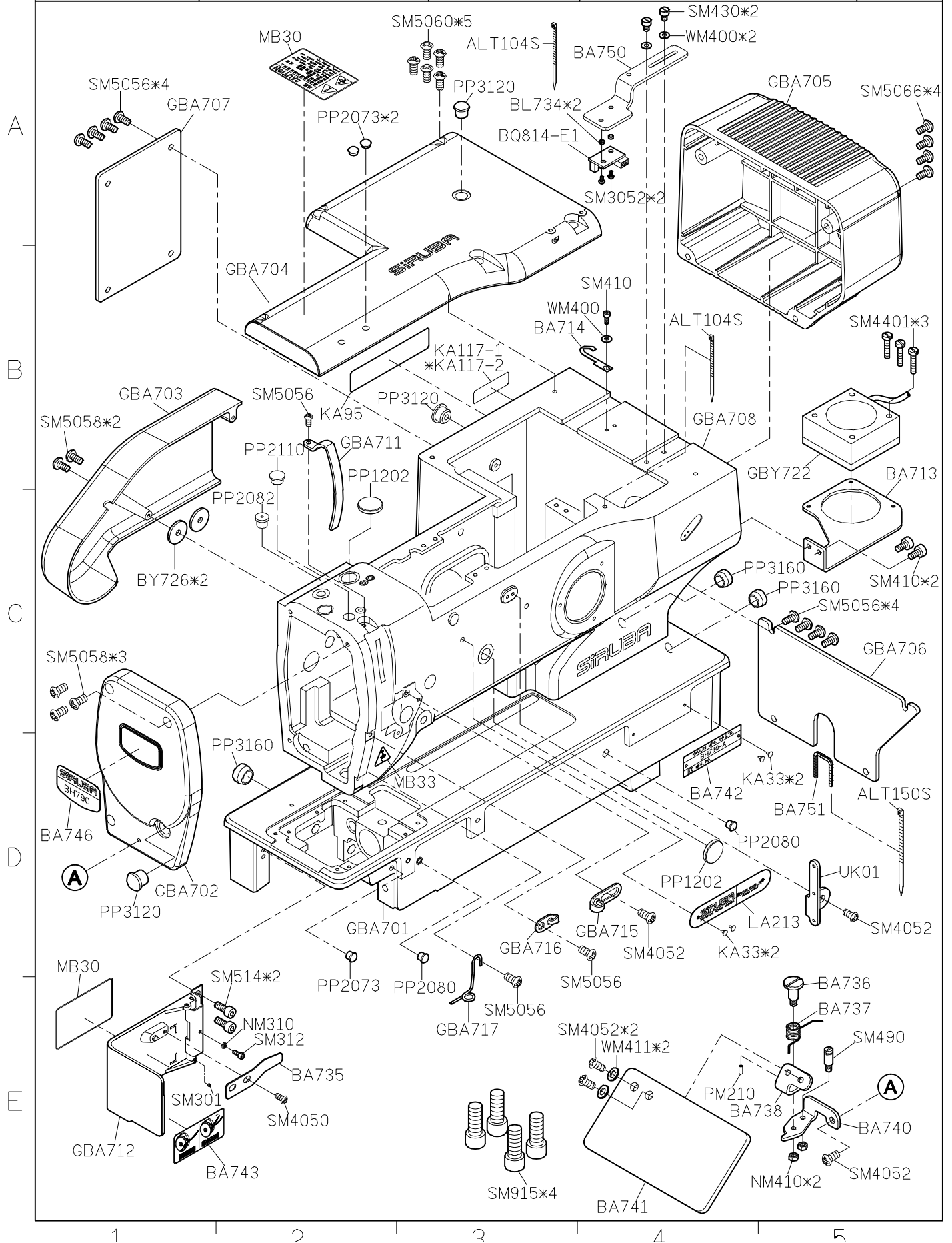




**SIRUBA**  
**PARTS LIST**

Series	Parts Group	Subclass / Remark	Page
BH790	BA		1/1
			Date
			2012/08/22

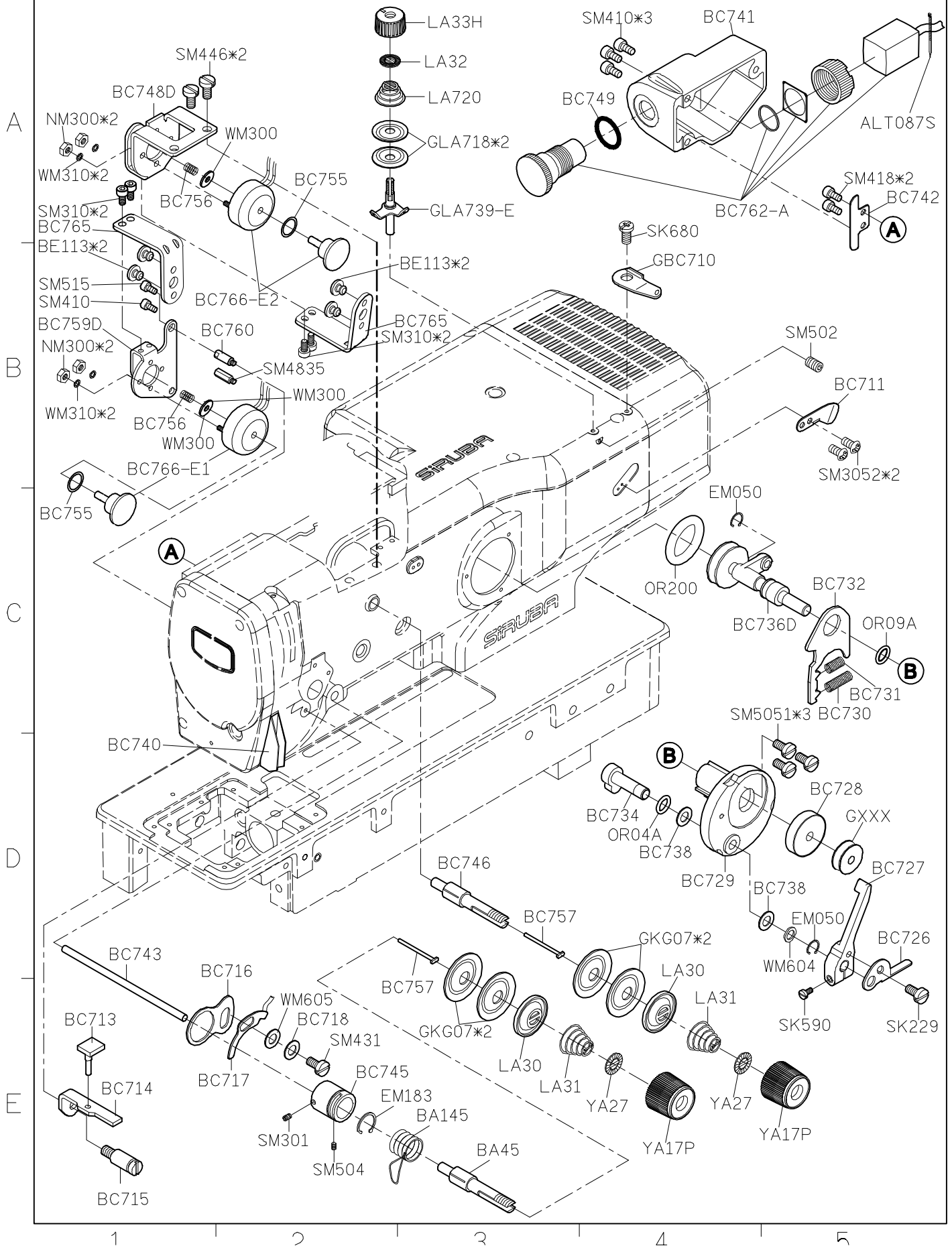


**SIRUBA****PARTS LIST****Series****BH790****Parts Group****BC****Subclass / Remark****Page**

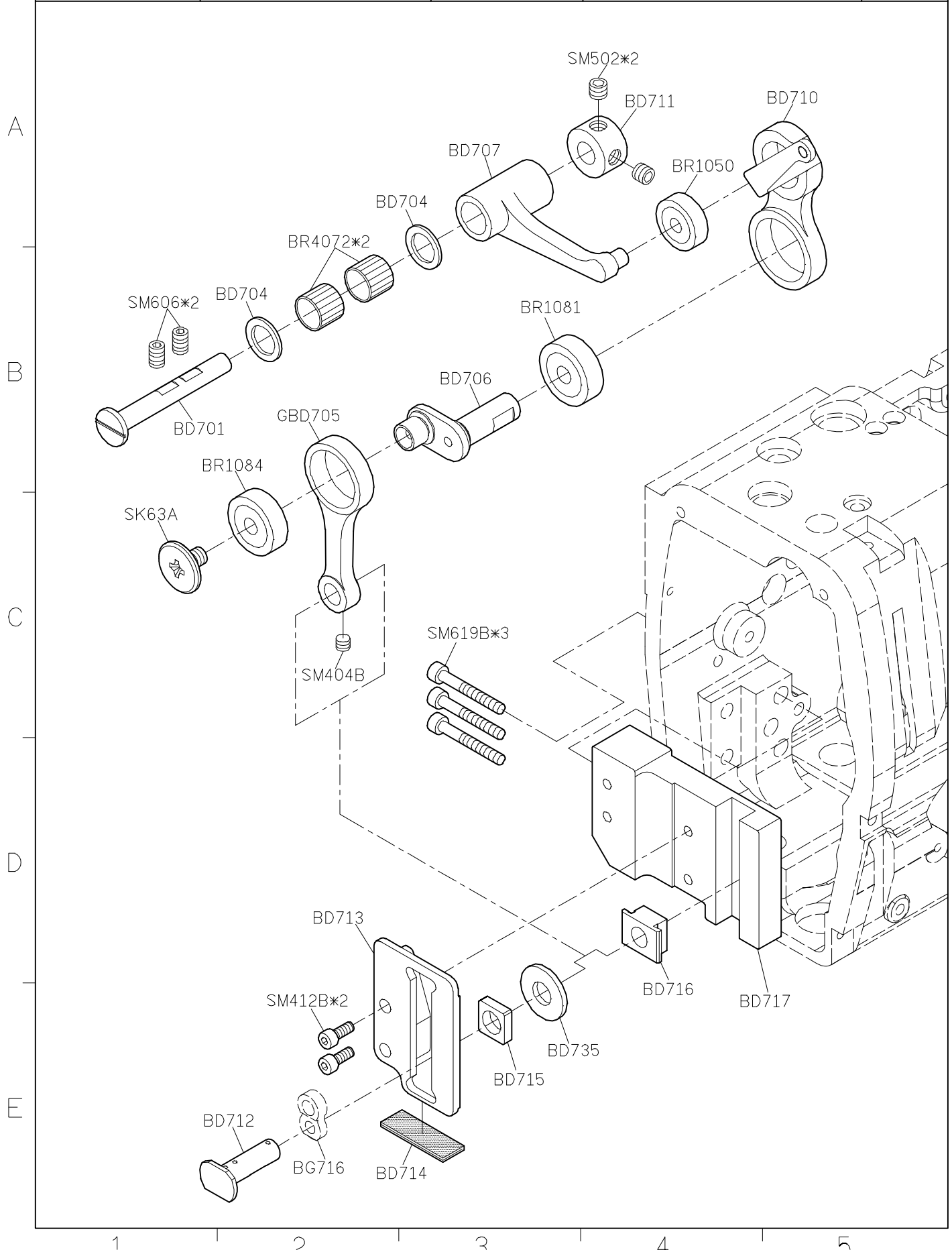
1/1

**Date**

2013/05/03



SIRUBA PARTS LIST	Series	Parts Group	Subclass / Remark	Page
	BH790	BD		1/2
				Date
				2012/08/22



**SIRUBA**

**PARTS LIST**

**Series**

**BH790**

**Parts Group**

**BD**

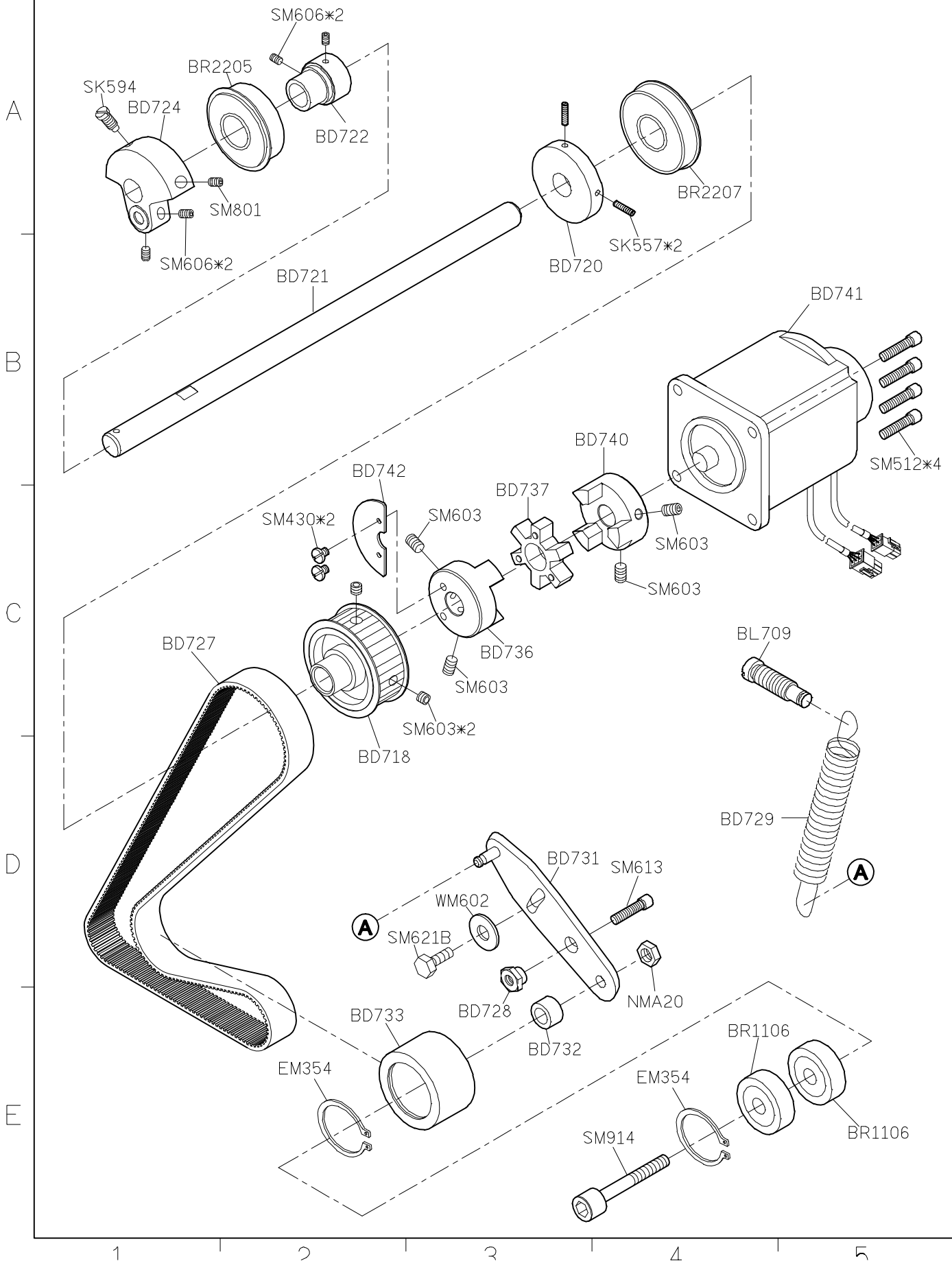
**Subclass / Remark**

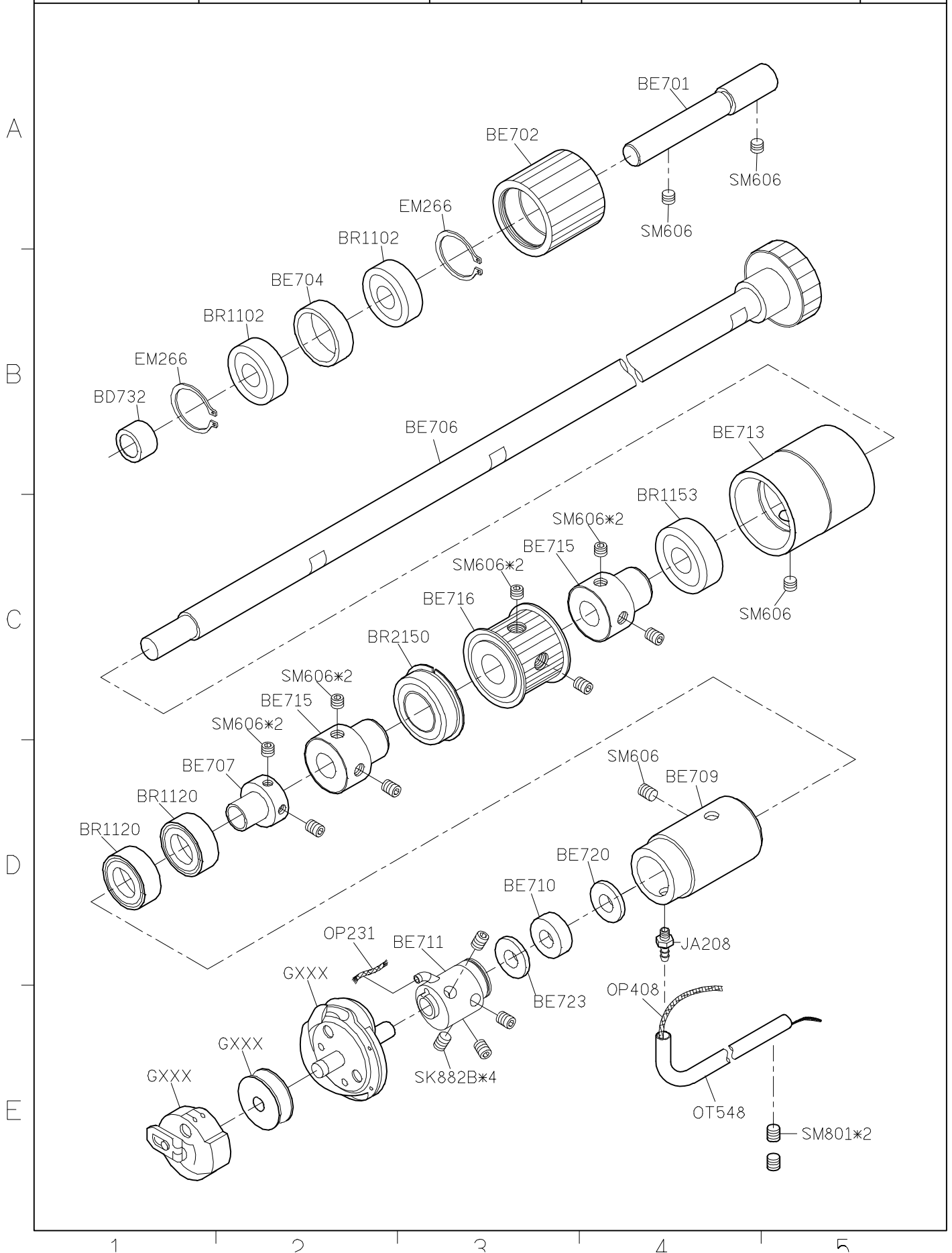
**Page**

**2/2**

**Date**

**2012/08/22**





**SIRUBA**  
**PARTS LIST**

**Series**

**BH790**

**Parts Group**

**BF**

**Subclass / Remark**

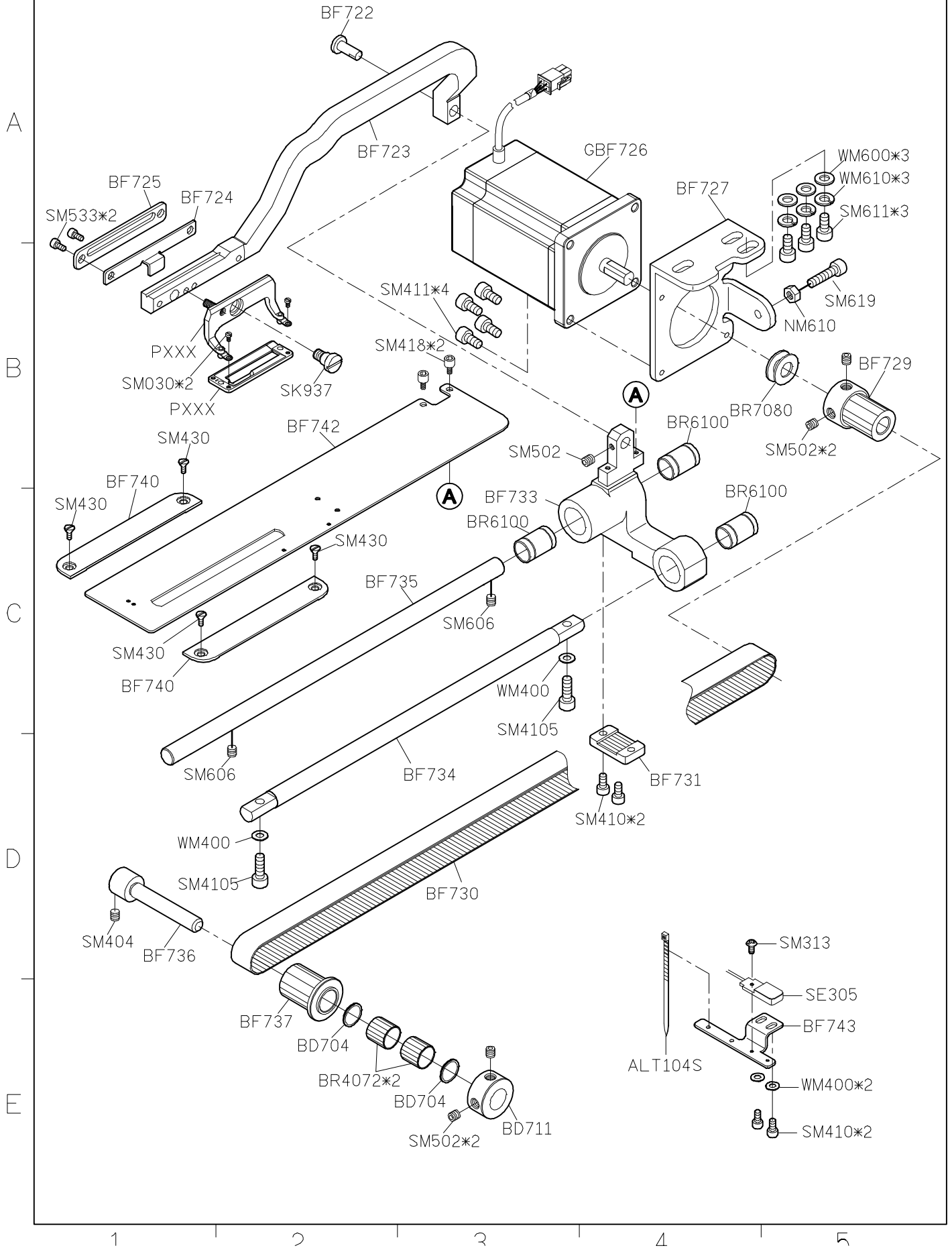
**\*: Use for BH790-A/B**

**Page**

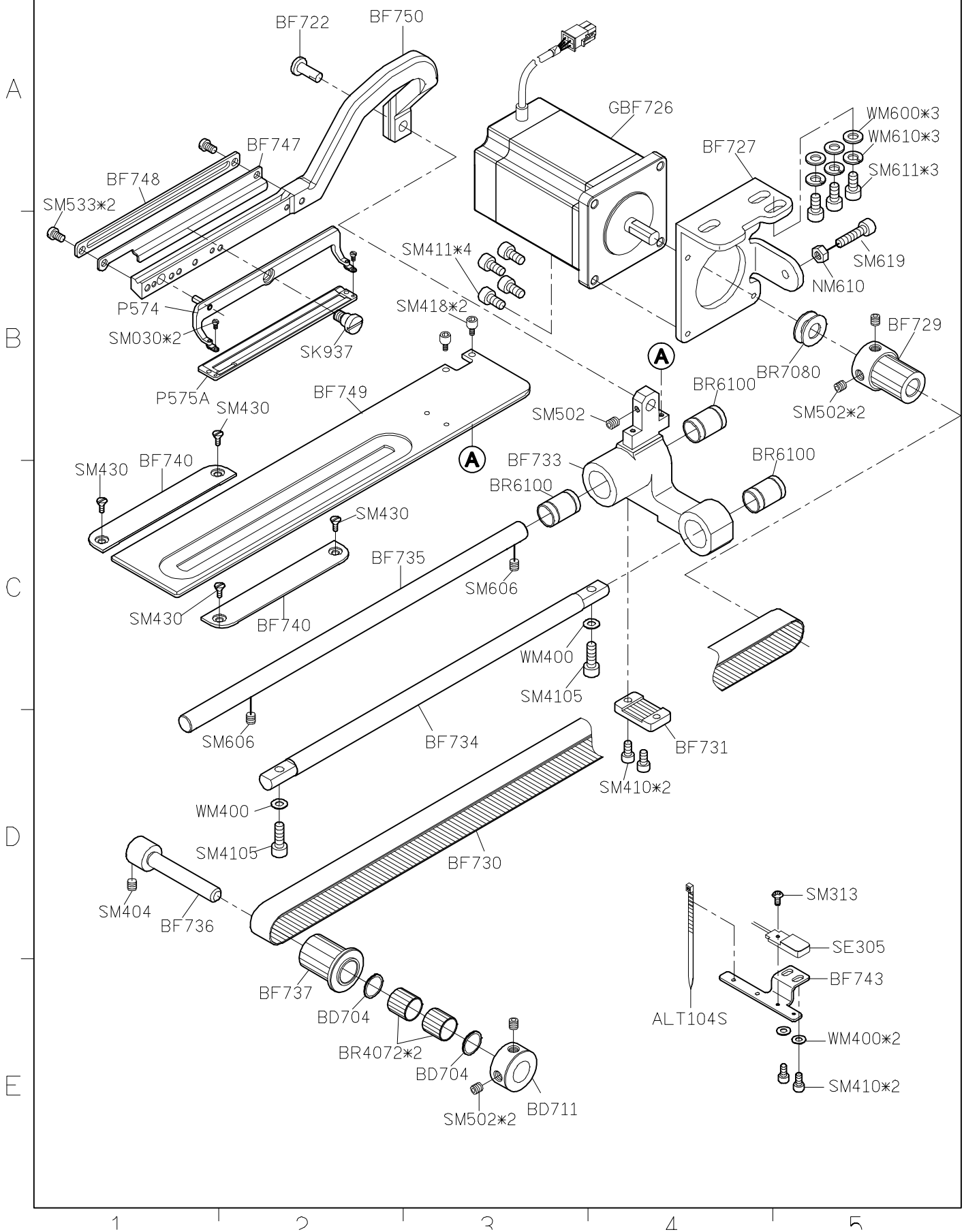
**1/3**

**Date**

**2013/06/02**



<b>SIRUBA</b>  <b>PARTS LIST</b>	<b>Series</b>	<b>Parts Group</b>	<b>Subclass / Remark</b>	<b>Page</b>
	<b>BH790</b>	<b>BF</b>	<b>*: Use for BH790-L</b>	<b>2/3</b>
				<b>Date</b>
				<b>2013/10/02</b>





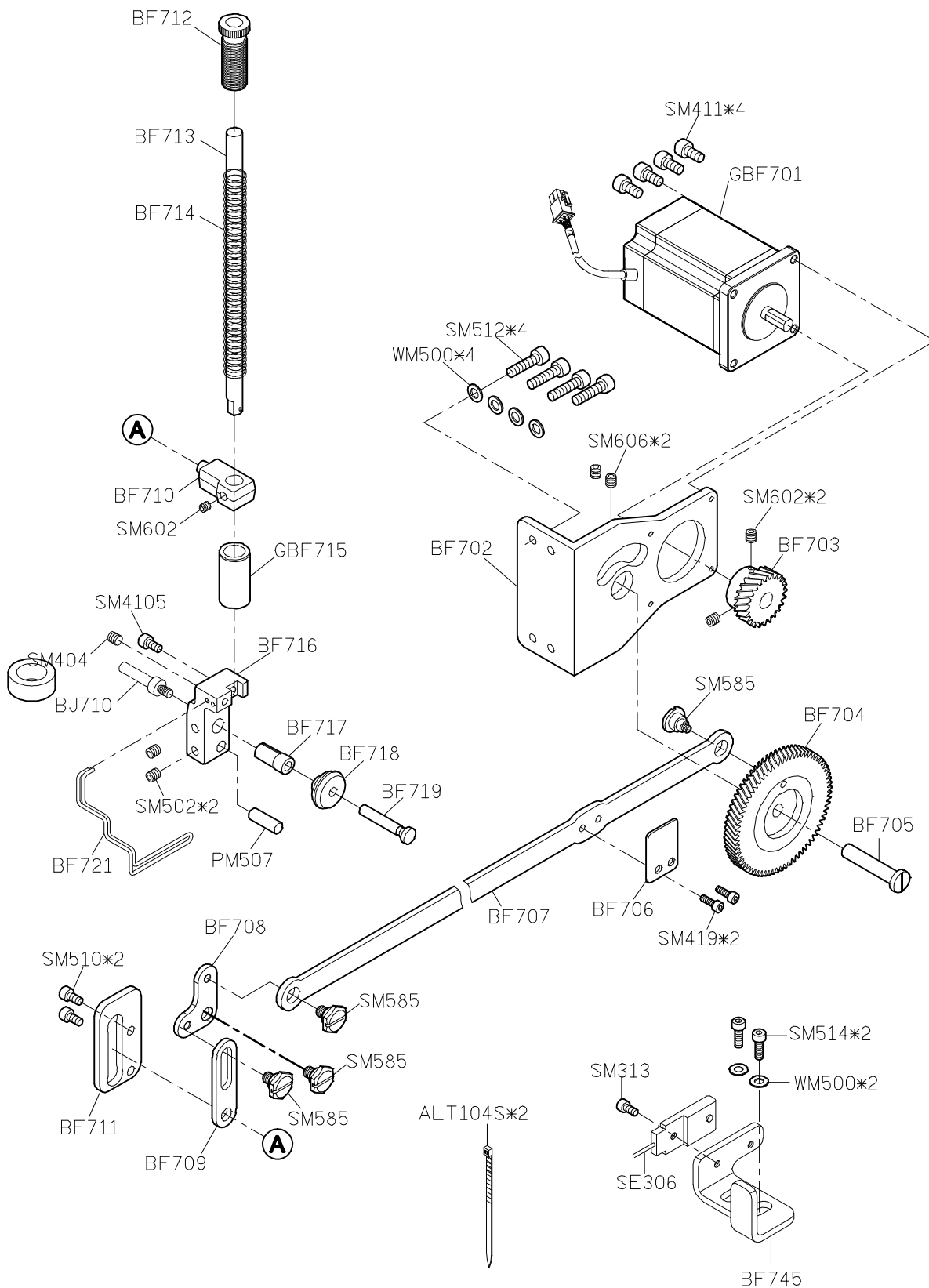
A

B

C

D

E



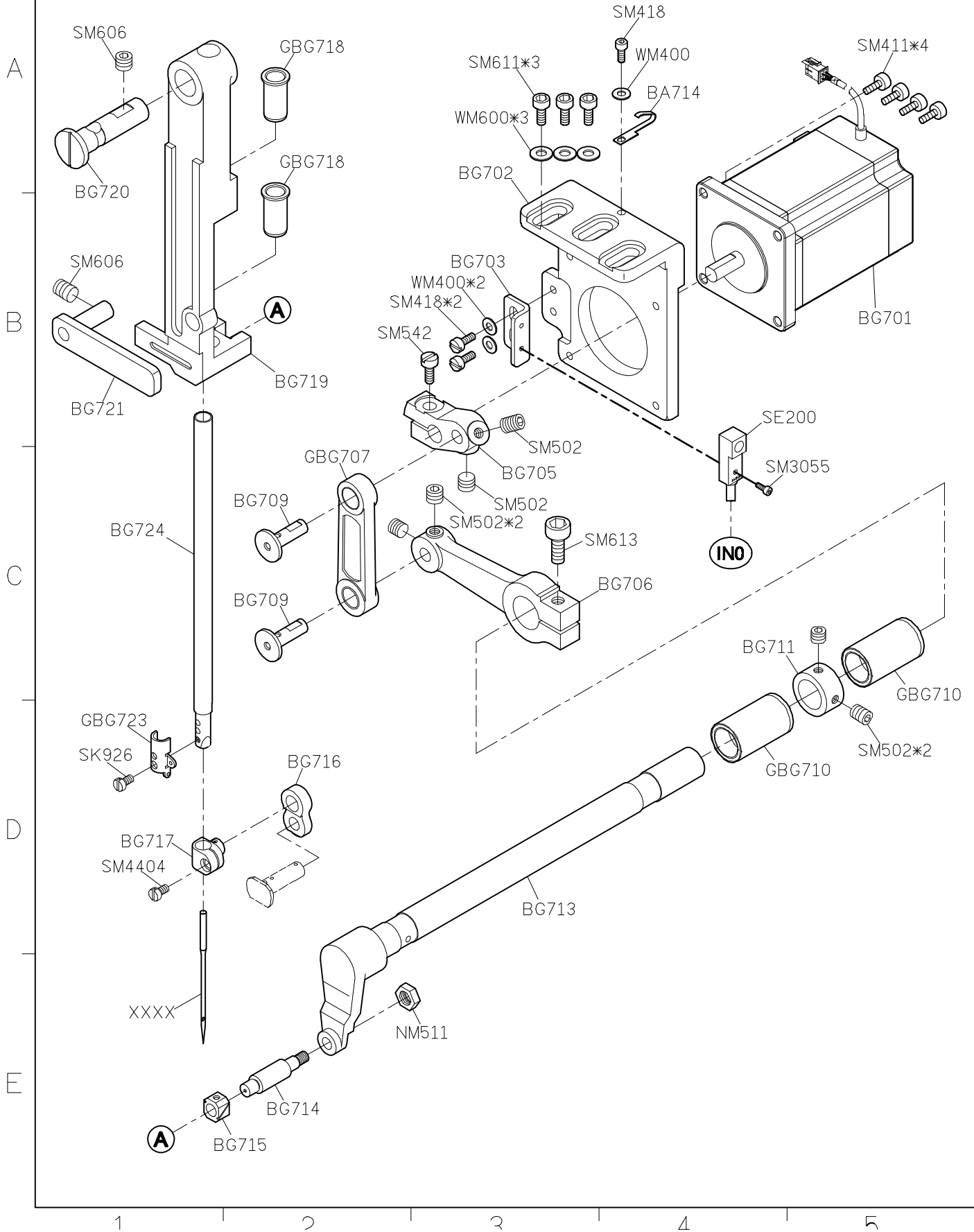
1

2

3

4

5



SIRUBA PARTS LIST	Series	Parts Group	Subclass / Remark	Page
	BH790	BJ		1/2
				Date
				2013/08/04

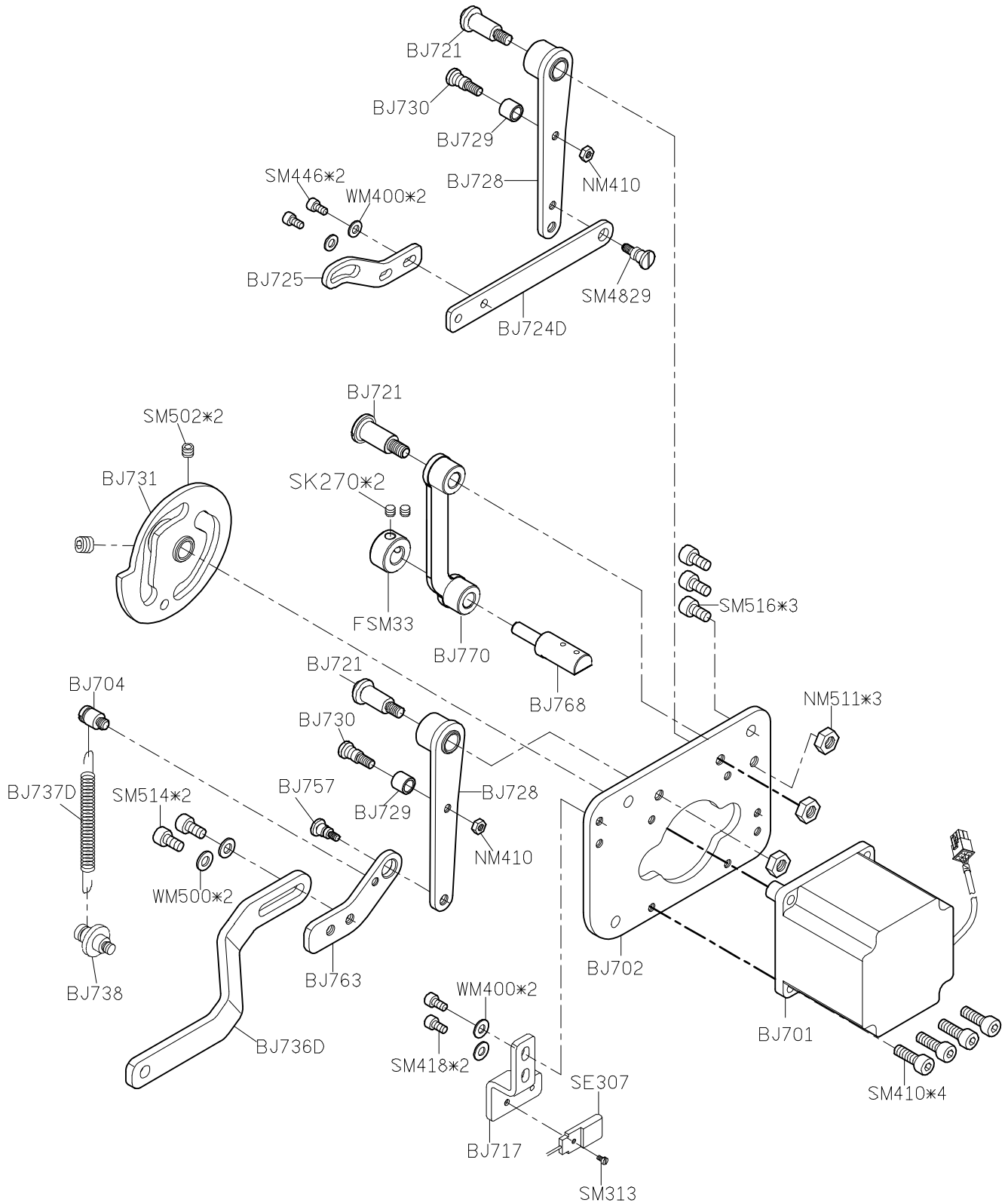
A

B

C

D

E



1

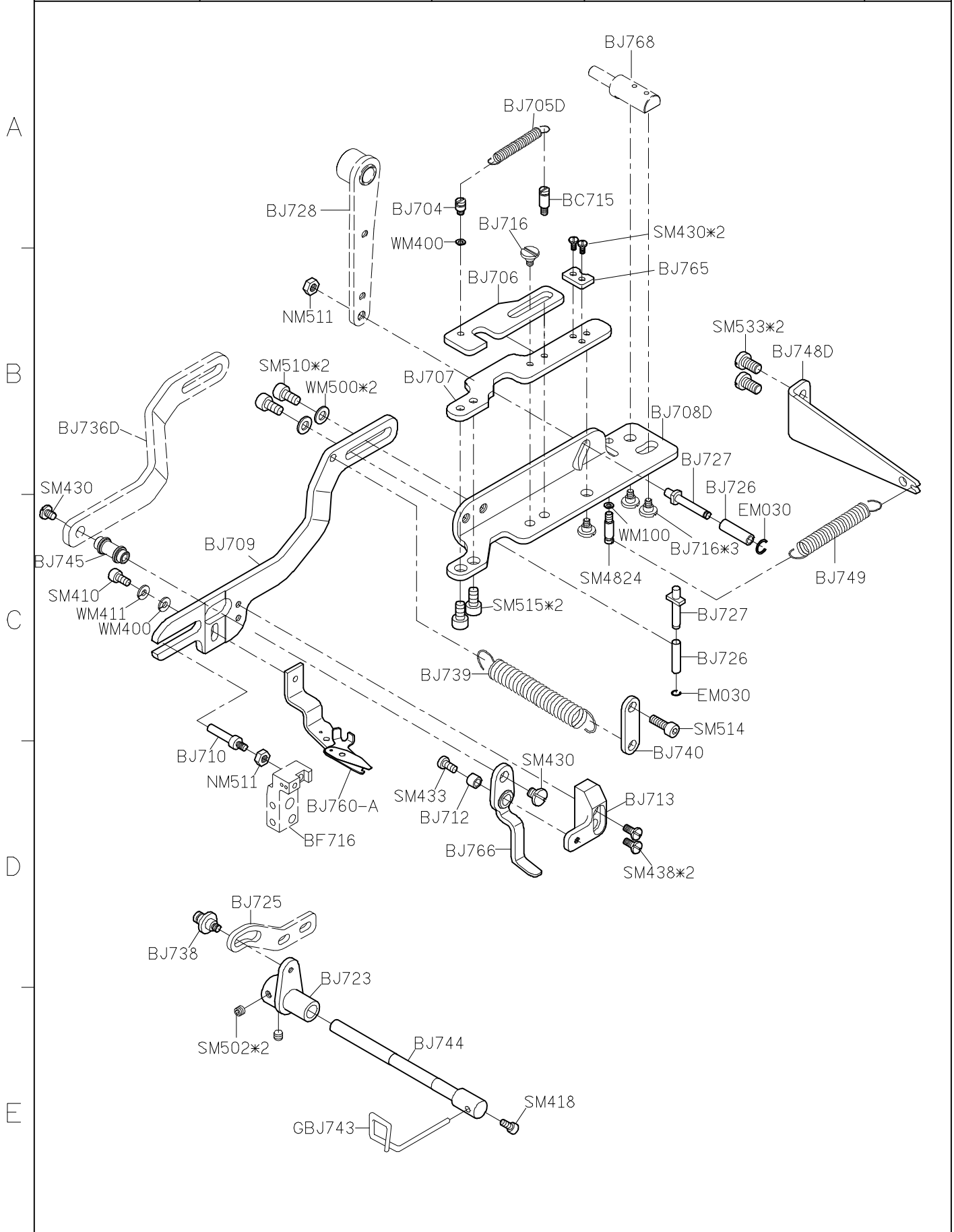
2

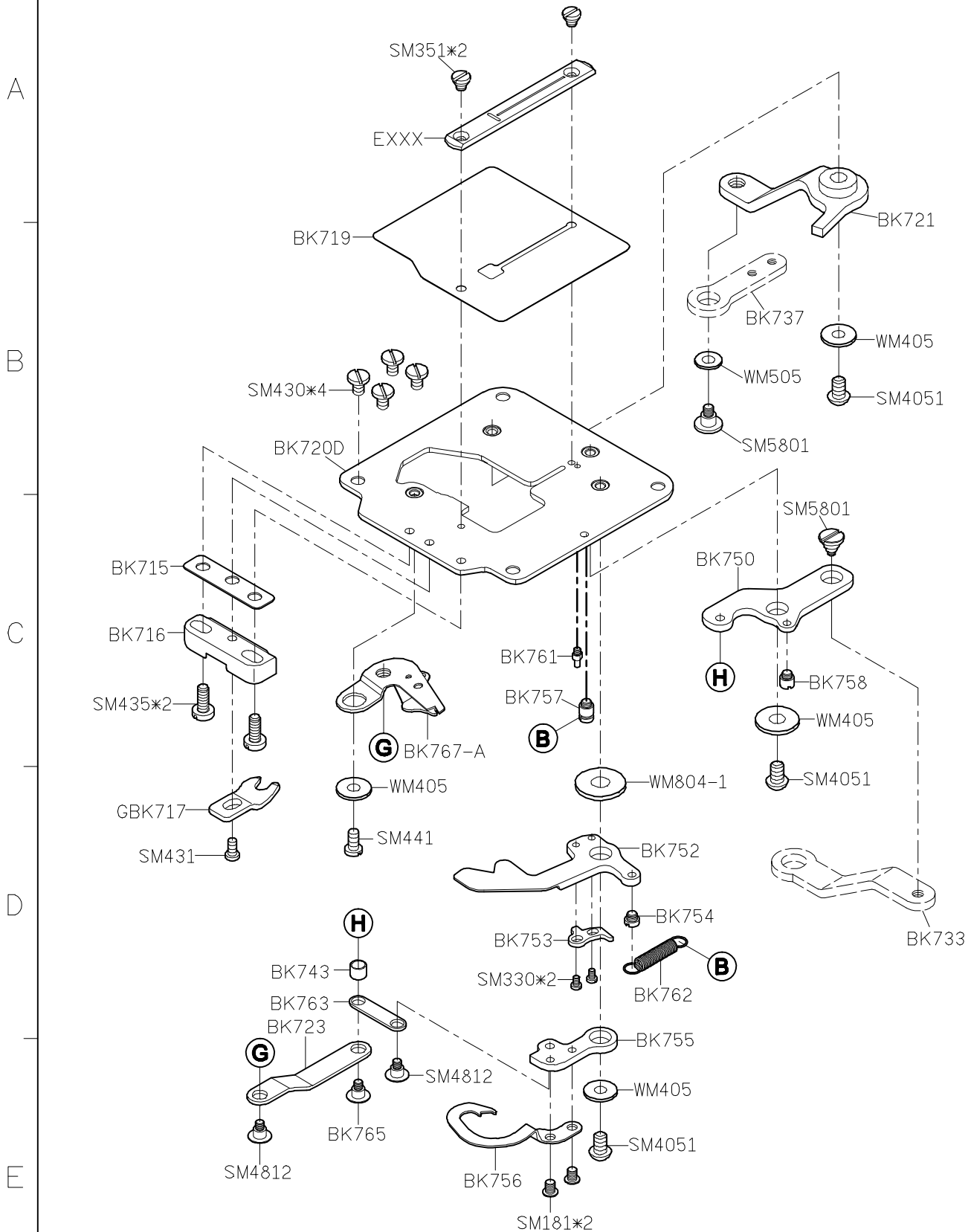
3

4

5

<b>SIRUBA</b>  <b>PARTS LIST</b>	<b>Series</b>	<b>Parts Group</b>	<b>Subclass / Remark</b>	<b>Page</b>
	<b>BH790</b>	<b>BJ</b>		<b>2/2</b>
				<b>Date</b>
				<b>2013/12/24</b>





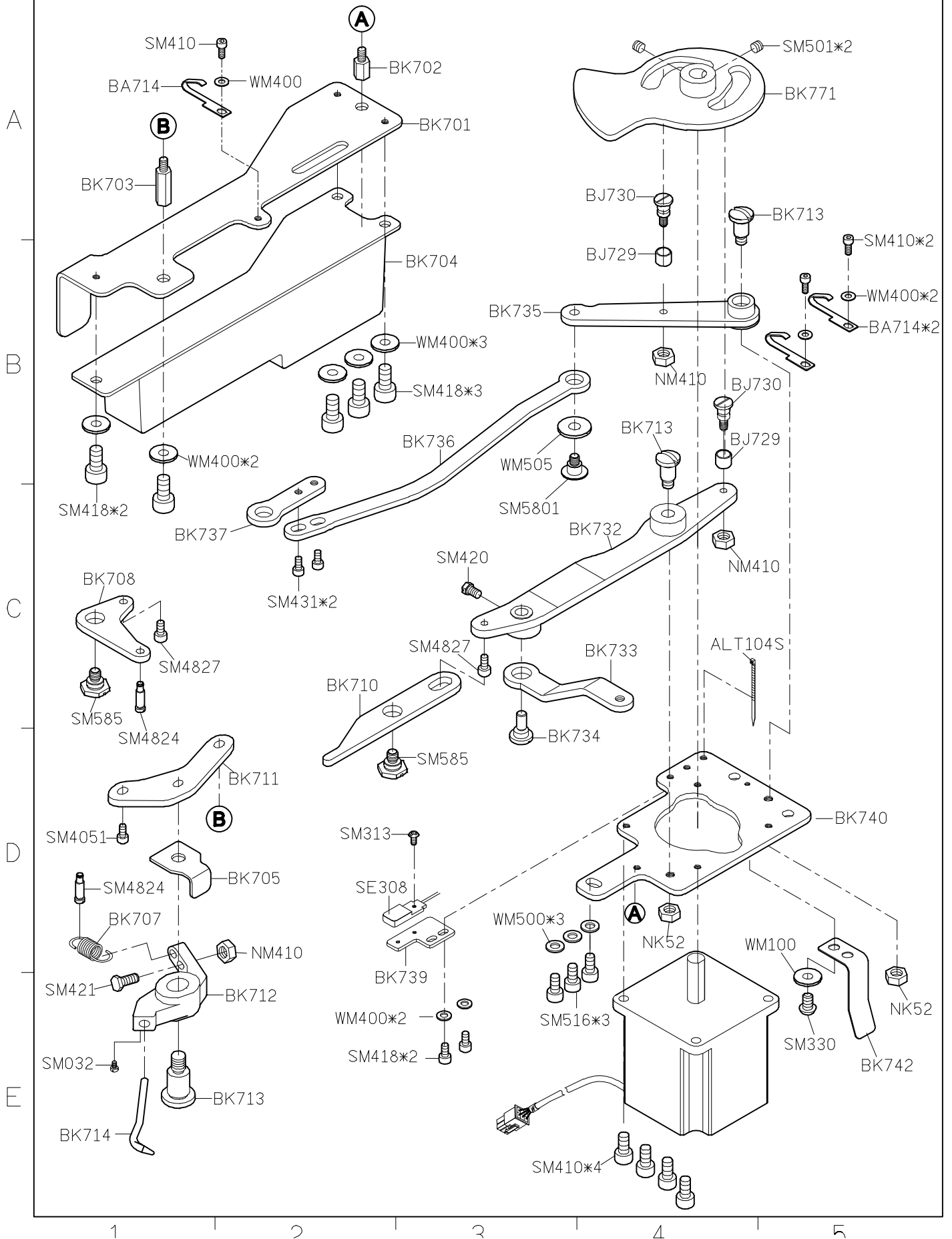
1

2

3

4

5





SIRUBA PARTS LIST	Series	Parts Group	Subclass / Remark	Page
	BH790	BN		1/1
				Date
				2012/08/22

A

B

C

D

E

SM388\*4

BN703

BN702

BN704

BN701

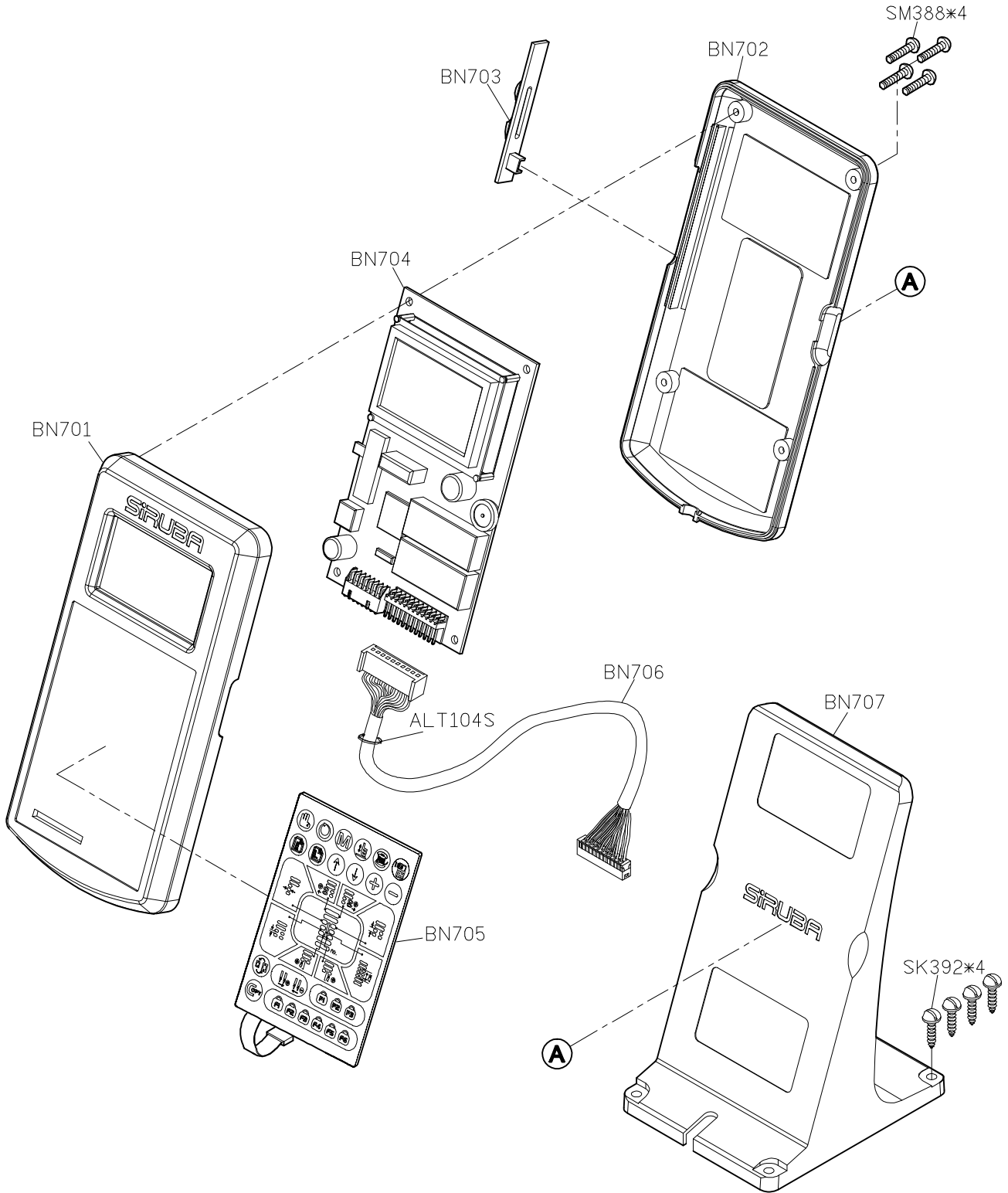
BN706

ALT104S

BN707

BN705

SK392\*4



1

2

3

4

5



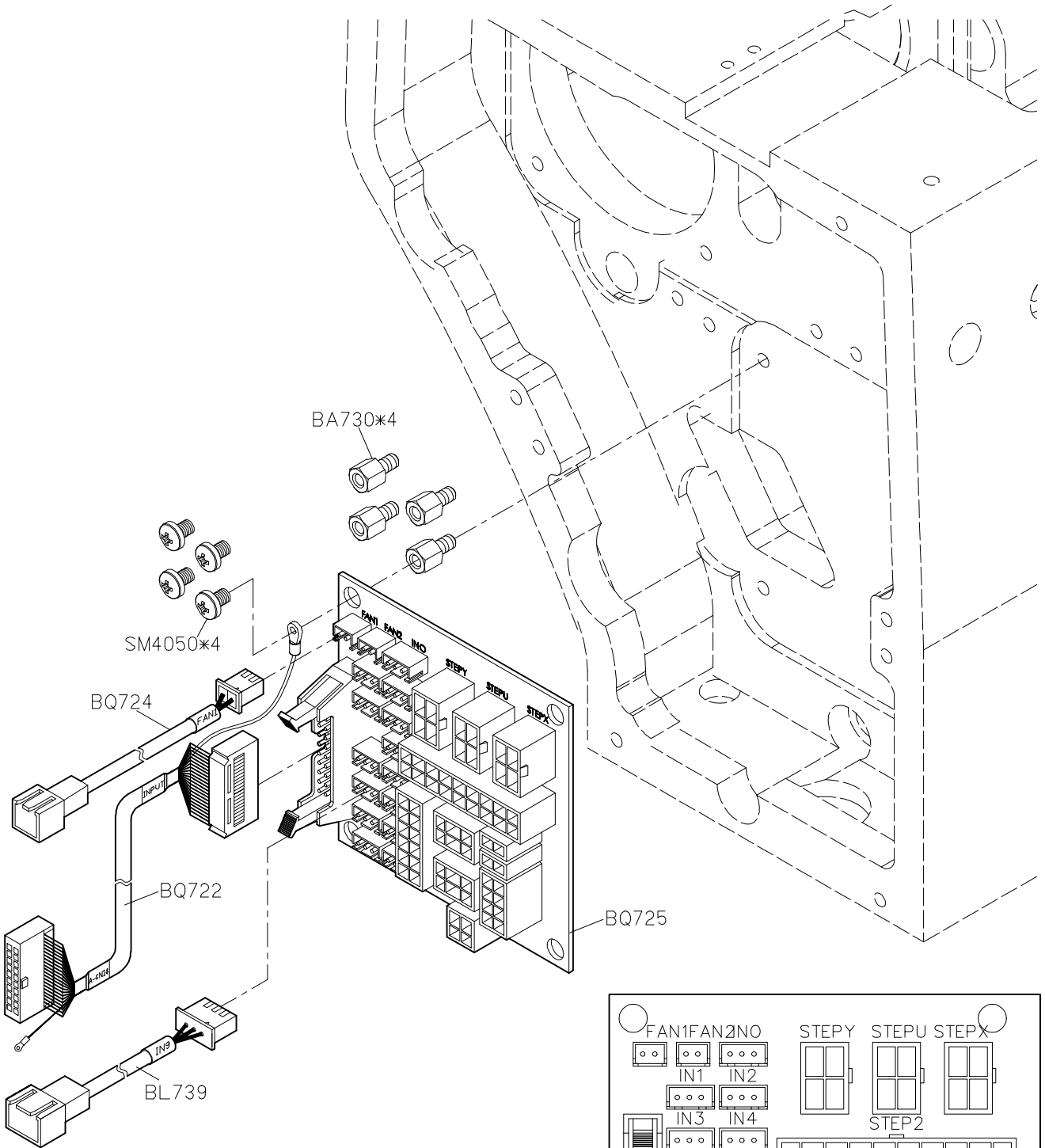
A

B

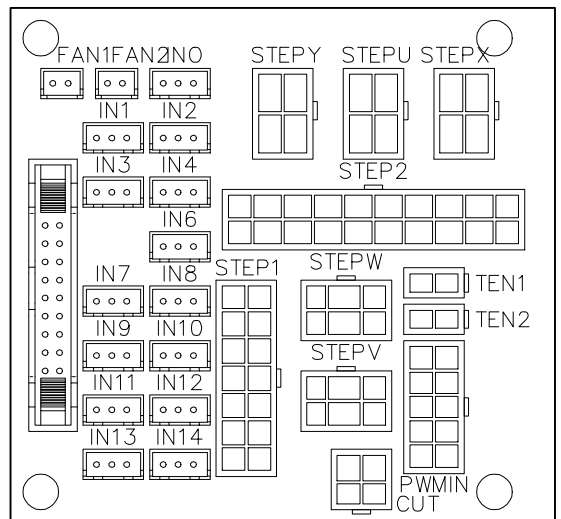
C

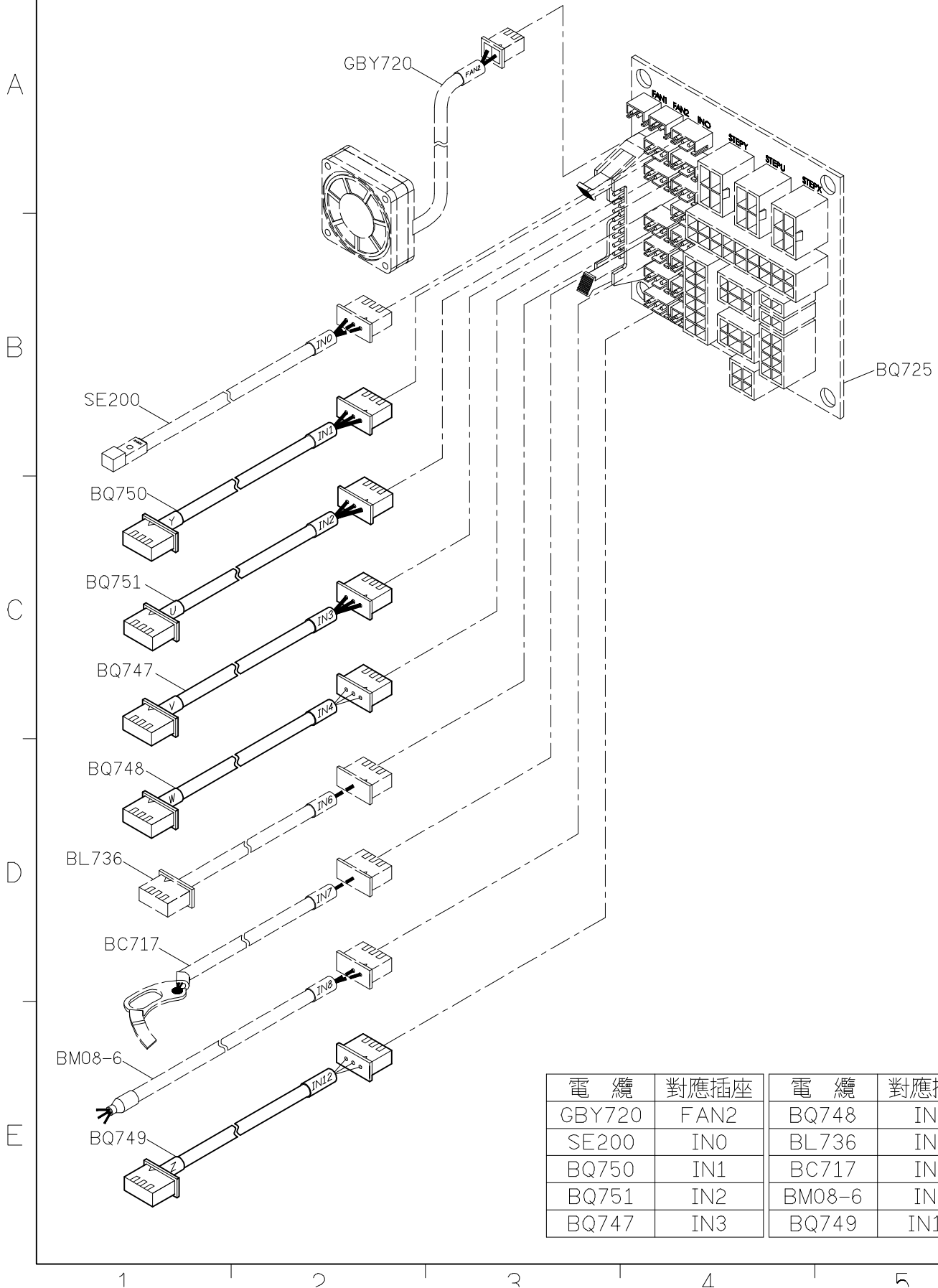
D

E



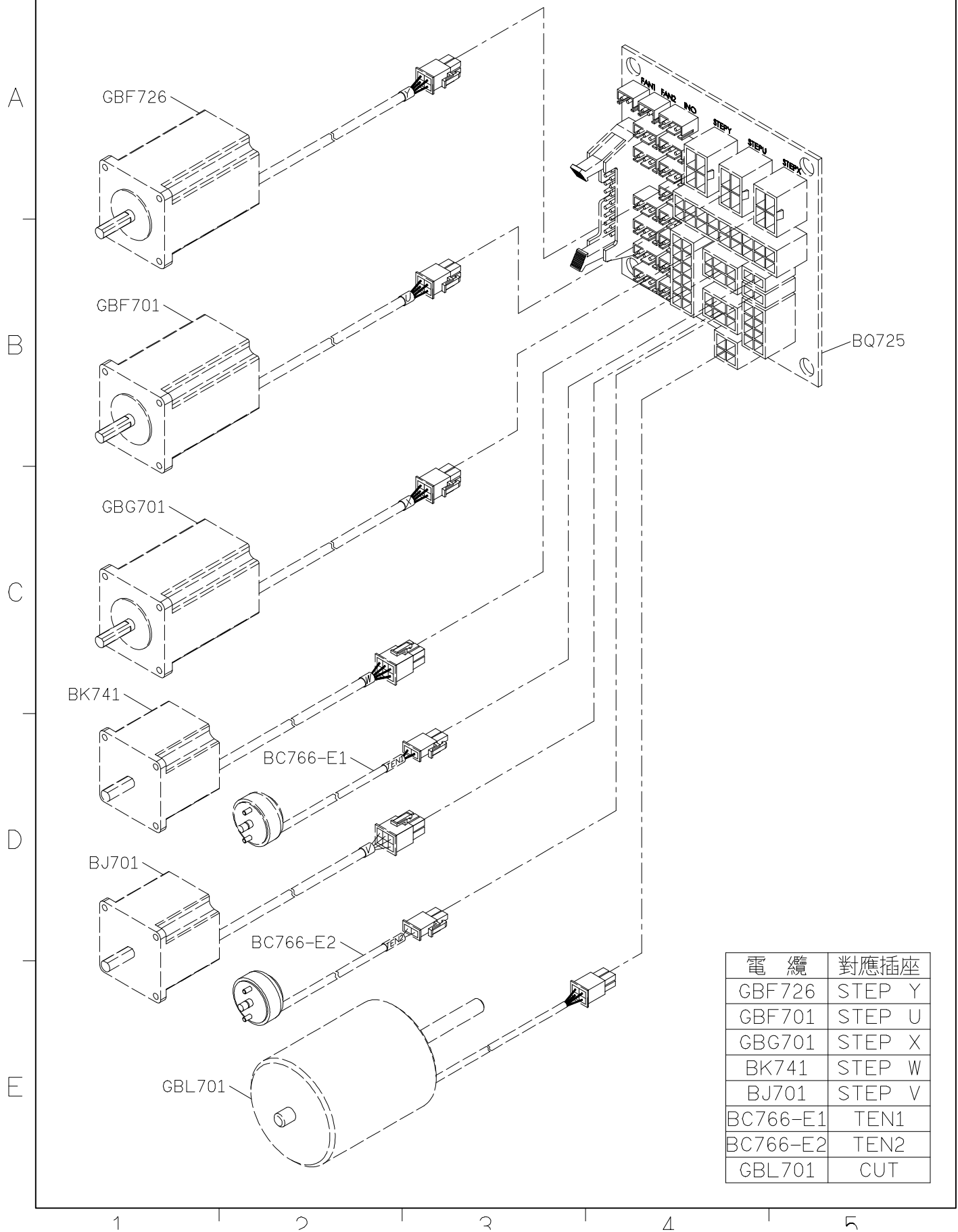
電 纜	對應插座
BQ724	FAN1
	IN10
	IN11
BL739	IN9





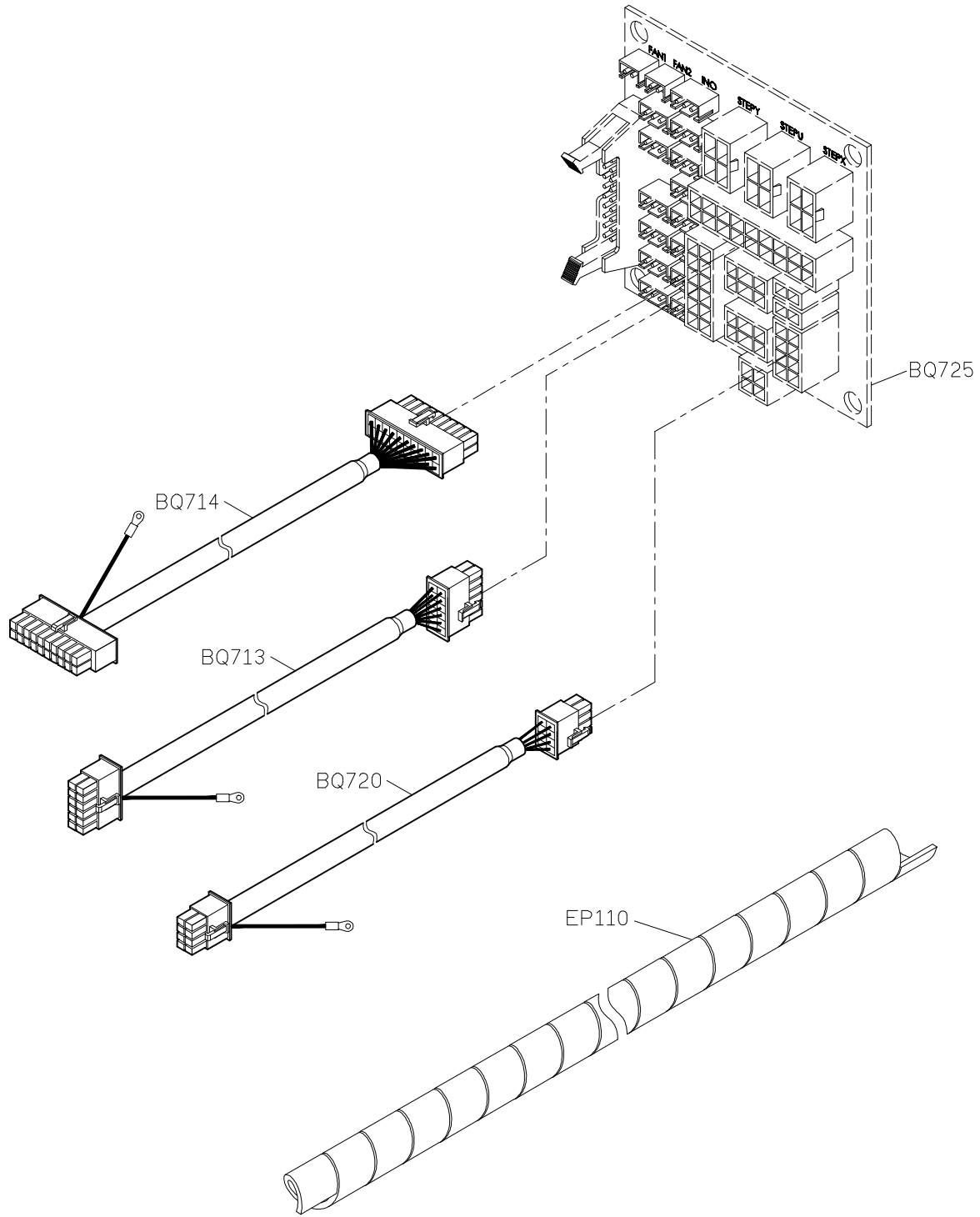
電 纜	對應插座	電 纜	對應插座
GBY720	FAN2	BQ748	IN4
SE200	IN0	BL736	IN6
BQ750	IN1	BC717	IN7
BQ751	IN2	BM08-6	IN8
BQ747	IN3	BQ749	IN12

<b>SIRUBA</b>  <b>PARTS LIST</b>	<b>Series</b>	<b>Parts Group</b>	<b>Subclass / Remark</b>	<b>Page</b>
	BH790	BQ		3/7
				Date
				2012/08/22



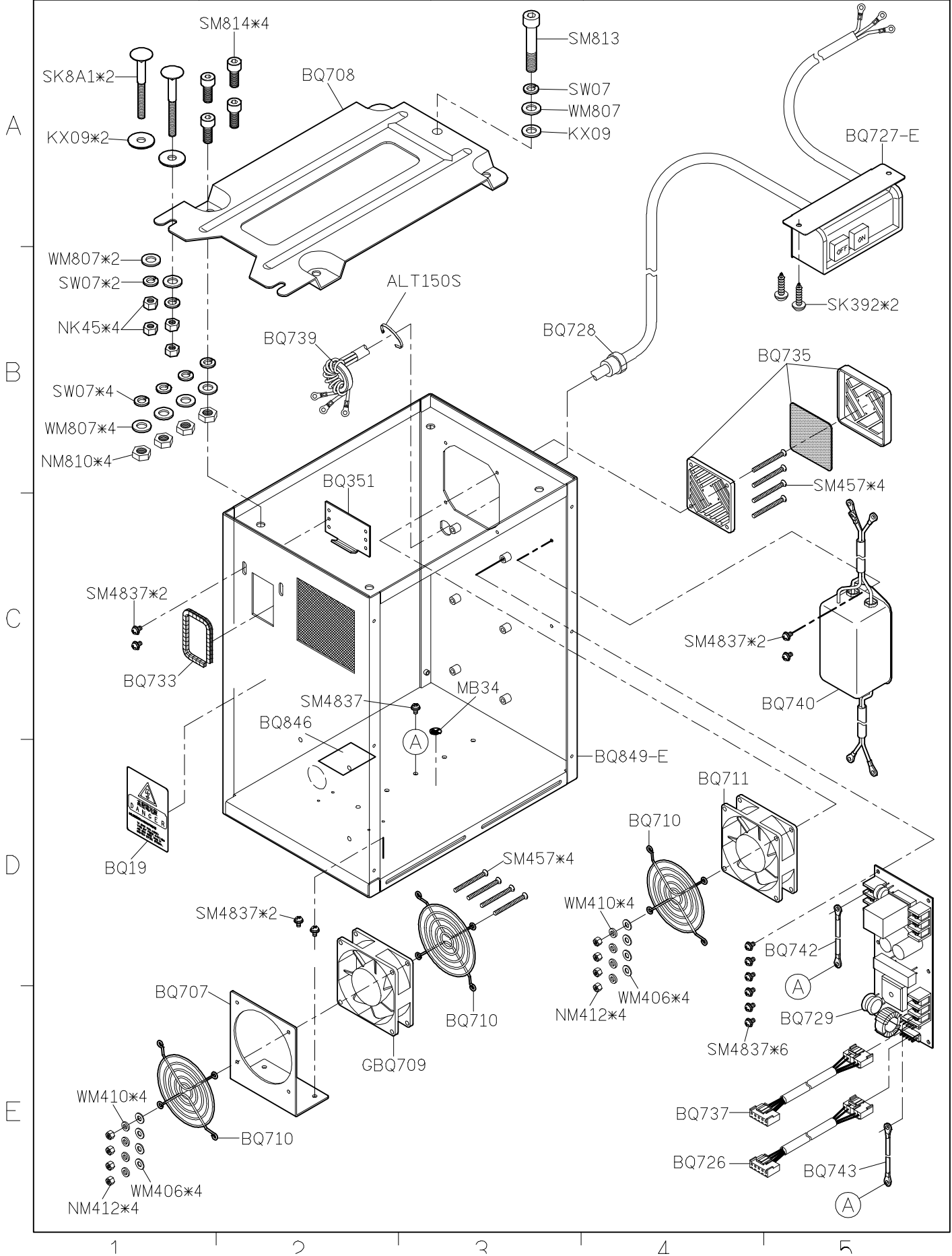
<b>SIRUBA</b>  PARTS LIST	<b>Series</b>	<b>Parts Group</b>	<b>Subclass / Remark</b>	<b>Page</b>
	BH790	BQ		4/7
				Date
				2012/08/22

A  
B  
C  
D  
E

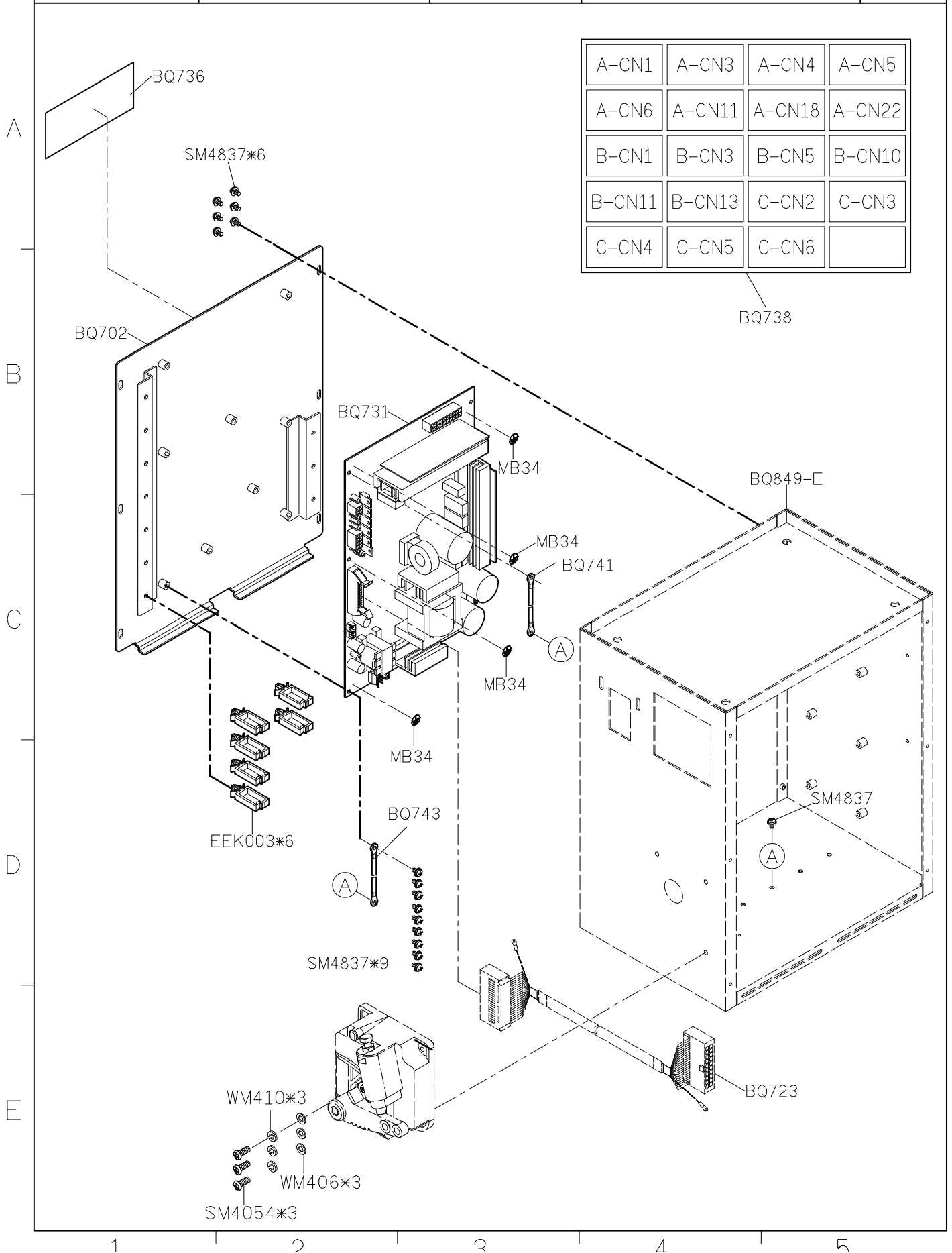


電 纜	對應插座
BQ714	STEP 2
BQ713	STEP 1
BQ720	PWMIN

SIRUBA PARTS LIST	Series	Parts Group	Subclass / Remark	Page
	BH790	BQ		5/7
				Date
				2013/05/03







**SIRUBA**

**PARTS LIST**

**Series**

**BH790**

**Parts Group**

**BY**

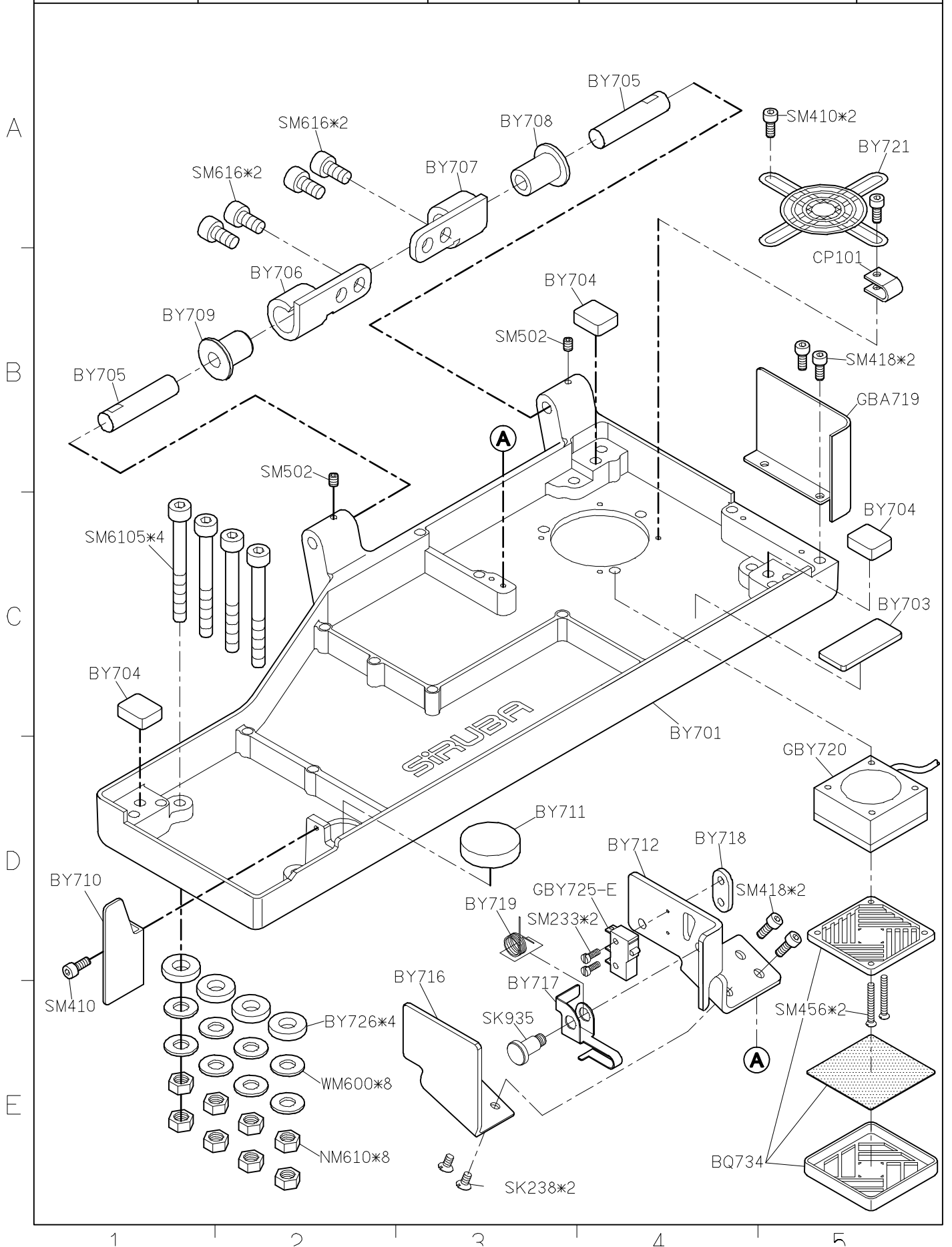
**Subclass / Remark**

**Page**

1/3

**Date**

2012/08/22





<b>SIRUBA</b>  <b>PARTS LIST</b>	Series	Parts Group	Subclass / Remark	Page
	BH790	BY		2/3
				Date
				2012/08/22

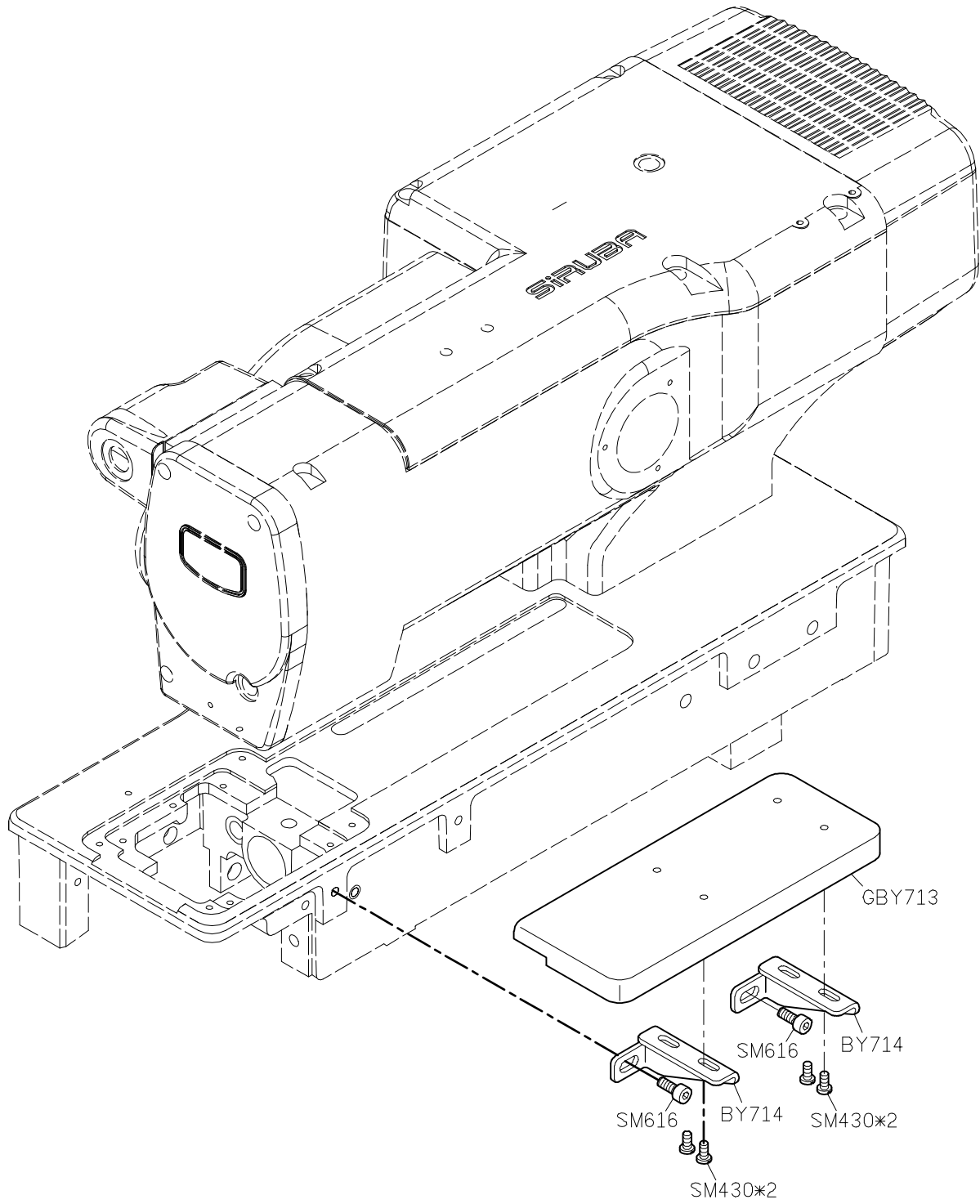
A

B

C

D

E



1

2

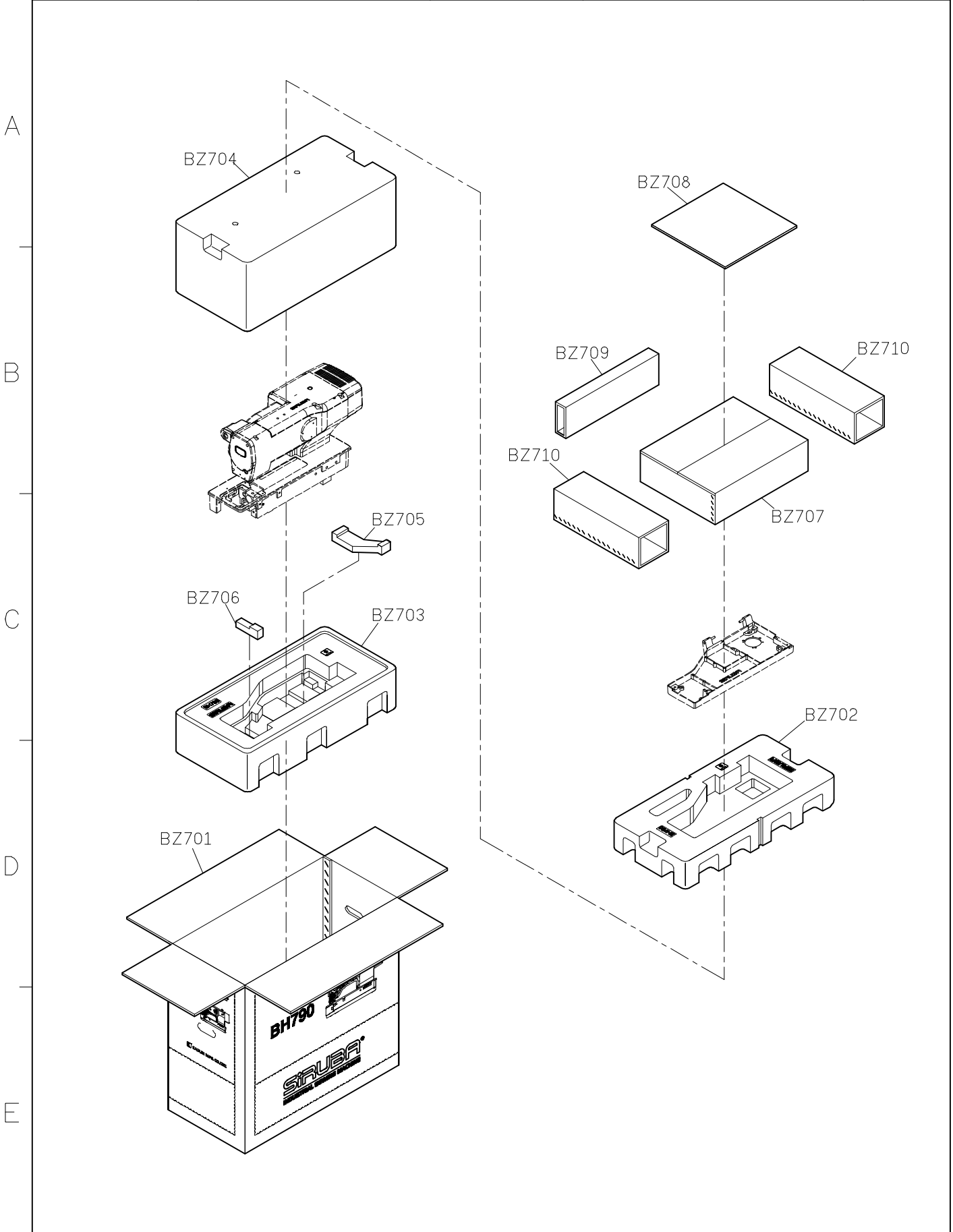
3

4

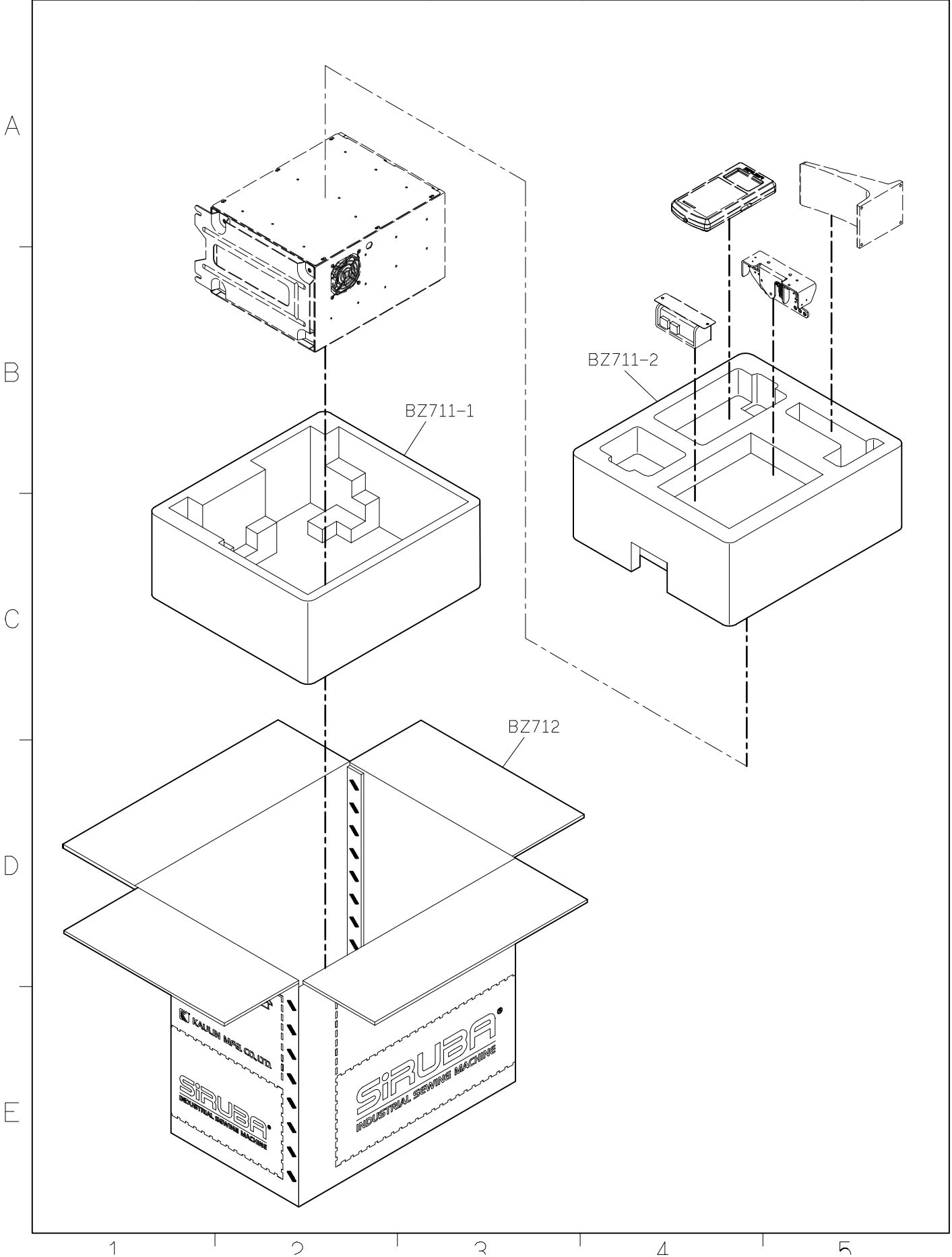
5



<b>SIRUBA</b> <b>PARTS LIST</b>	Series	Parts Group	Subclass / Remark	Page
	<b>BH790</b>	<b>BZ</b>		1/2
				Date
				2012/08/22



SIRUBA PARTS LIST	Series	Parts Group	Subclass / Remark	Page
	BH790	BZ		2/2
				Date
				2012/08/22



SIRUBA PARTS LIST	Series	Parts Group	Subclass / Remark	Page
	BH790	CS		1/1
				Date
				2012/08/22

A

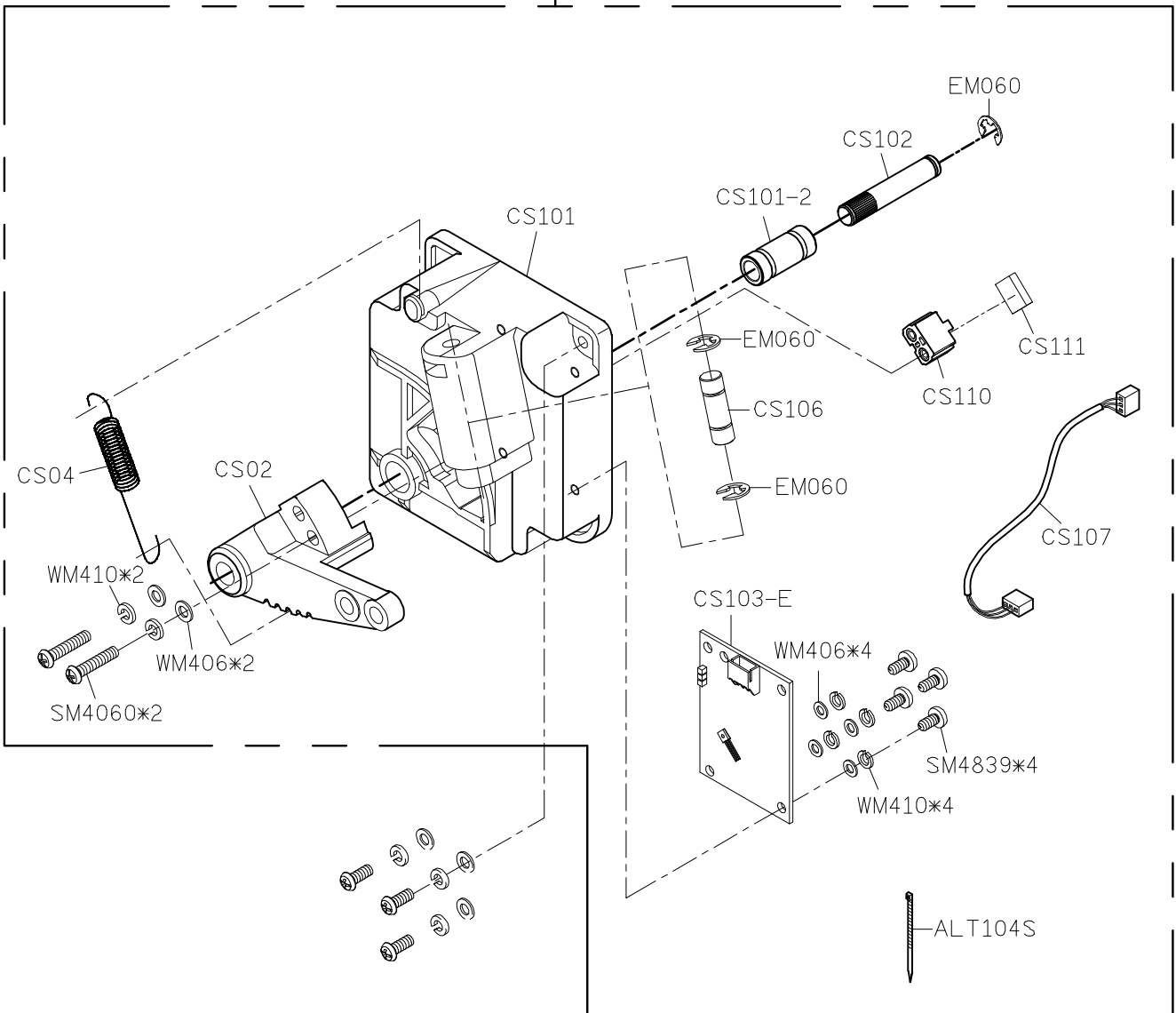
CS101-A

B

C

D

E



1

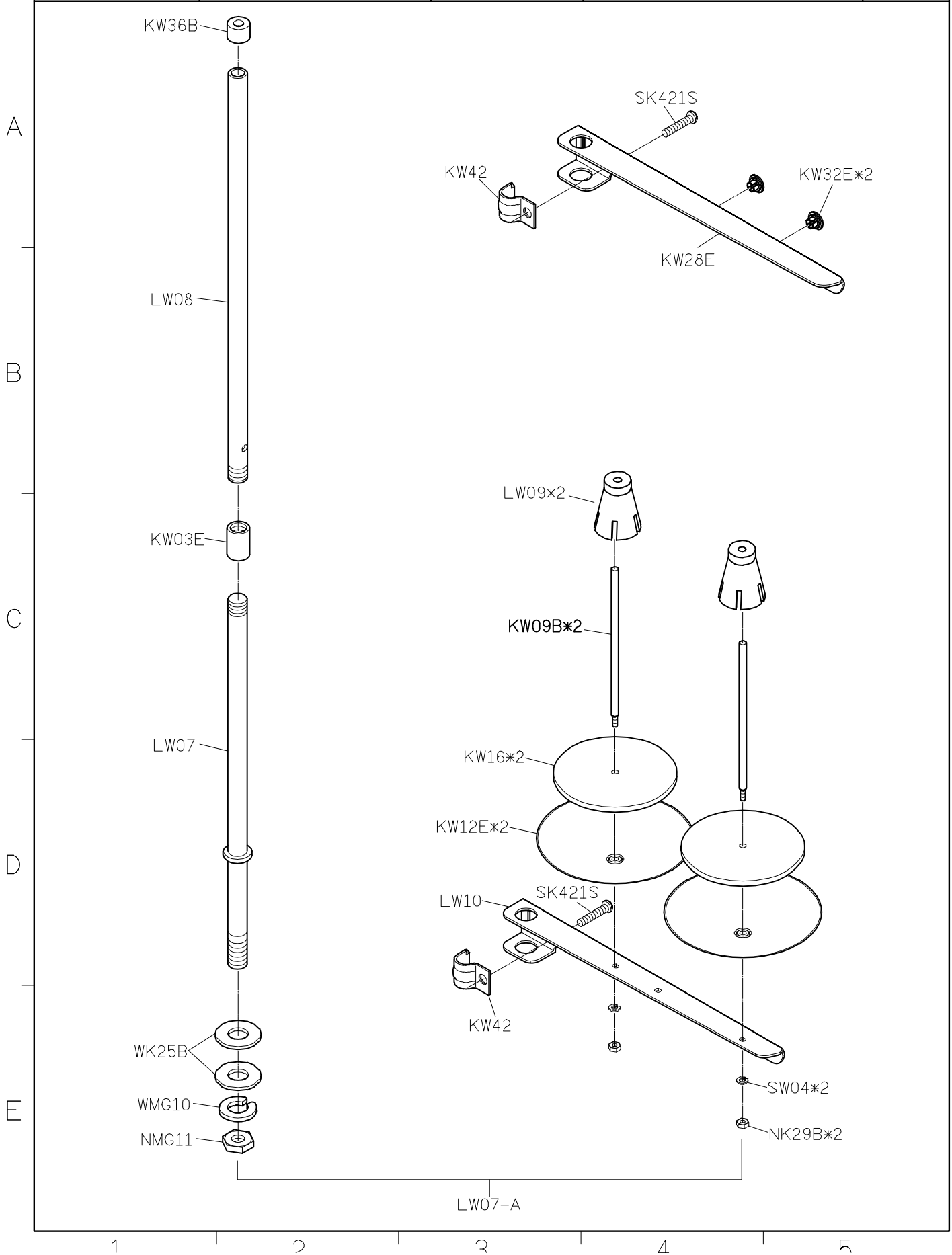
2

3

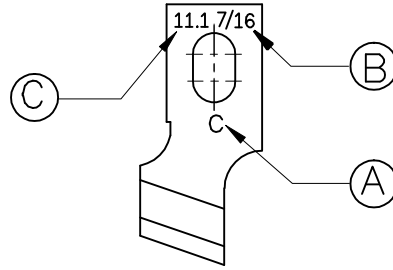
4

5

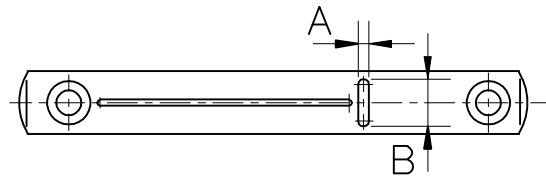
SIRUBA PARTS LIST	Series	Parts Group	Subclass / Remark	Page
	BH790	LW		1/1
				Date
				2012/08/22



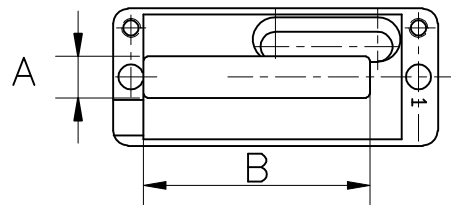
<b>SIRUBA</b>  <b>PARTS LIST</b>	<b>Series</b>	<b>Parts Group</b>	<b>Subclass / Remark</b>	<b>Page</b>
	<b>BH790</b>	<b>OPTION</b>		1/1
				<b>Date</b>
				2012/08/22



A 零件代號 A Parts Code	B 切布刀尺寸(英寸) B Knife Size(Inches)	C 切布刀尺寸(mm) C Knife Size(mm)
BL724A	1/4	6.4mm
BL724B	3/8	9.5mm
BL724C	7/16	11.1mm
BL724D	1/2	12.7mm
BL724E	9/16	14.3mm
BL724F	5/8	15.9mm
BL724G	11/16	17.5mm
BL724H	3/4	19.1mm
BL724I	7/8	22.2mm
BL724J	1	25.4mm
BL724K	1-1/4	31.8mm



規格 Specification	擺動幅度 Vibration Range	零件代號 Parts Code	5mm (A*B)
標準/針織物 (A) Standard/Knitted Fabrics		E201A	1.4*6.4



擺動幅度5mm  
Vibration Range 5mm

規格 Specification	尺寸(A*B) Size(A*B)	零件代號 1(4*25) Parts Code 1(4*25)	零件代號 2(5*35) Parts Code 2(5*35)	零件代號 3(5*41) Parts Code 3(5*41)
標準/針織物 (A)		P570A	P571A	P572A

**SIRUBA****TABLE  
CUT - OUT****Series****BH790****Item Code****BH790-T1****Subclass / Remark****For All BH790 Series****Mounting****Fully-submerged****Date****2012/08/23**

單位/UNIT:mm  
 所有尺寸公差/Tolerance:±2  
 長度(L):1070  
 長度(L):1200

