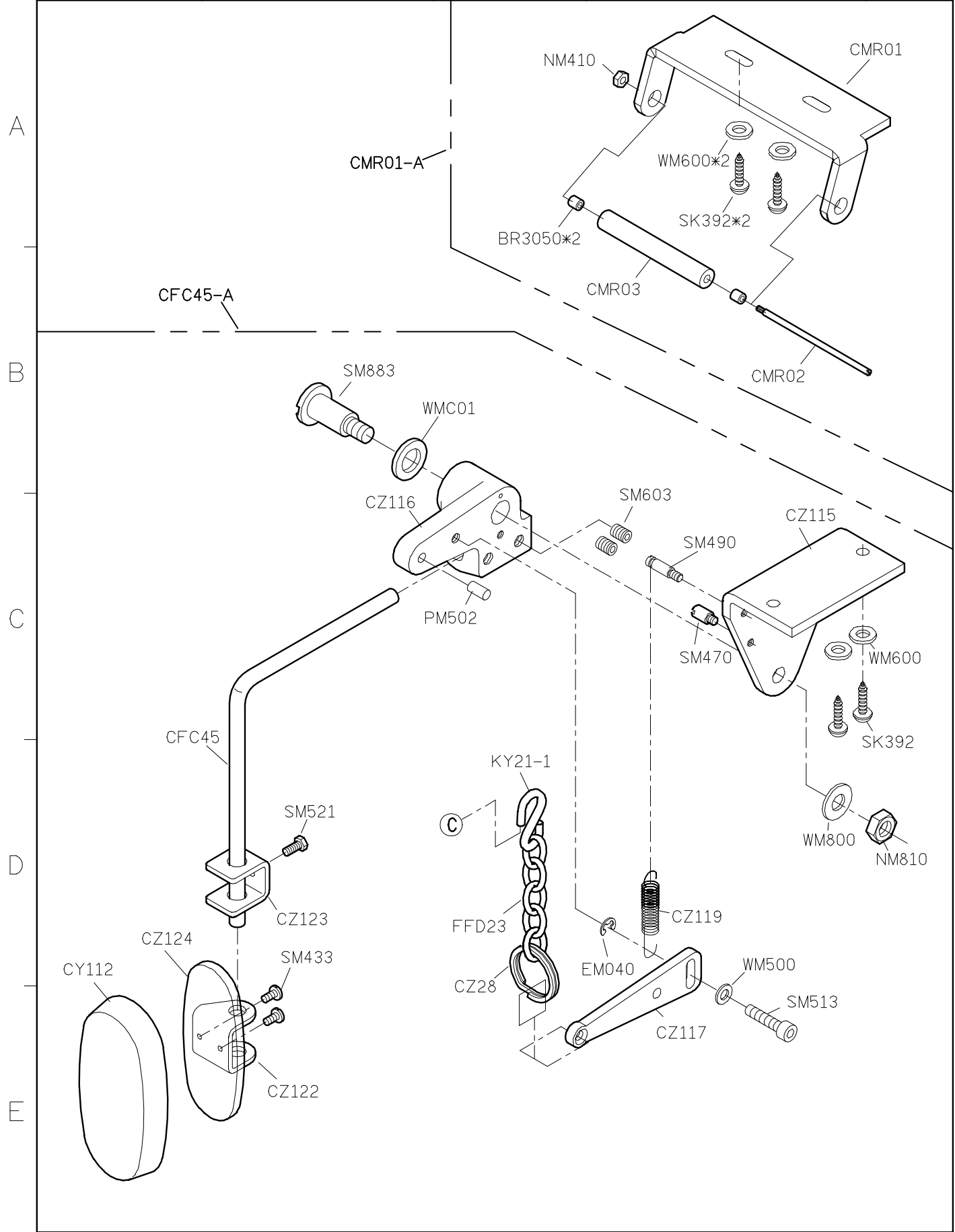
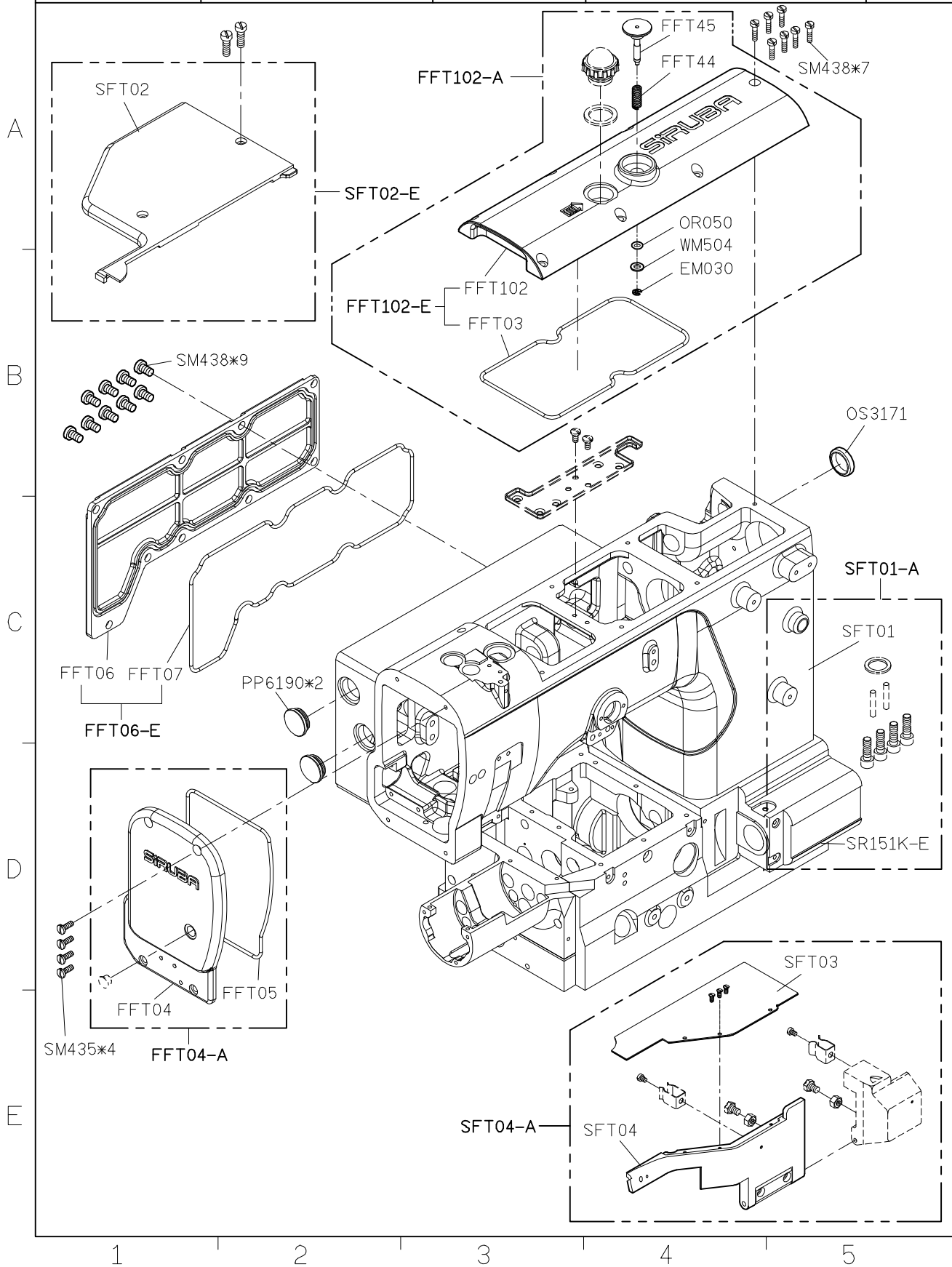


SIRUBA PARTS LIST	Series	Parts Group	Subclass / Remark	Page
	C007K/C007KD	CMR-K		1/1
	C858K/C858KD			Date
	S007K/S007KD			2012/11/01



<b>SIRUBA</b> <b>PARTS LIST</b>	<b>Series</b>	<b>Parts Group</b>	<b>Subclass / Remark</b>	<b>Page</b>
	S007KD	FFT		1/7
				<b>Date</b>
				2013/09/02



1

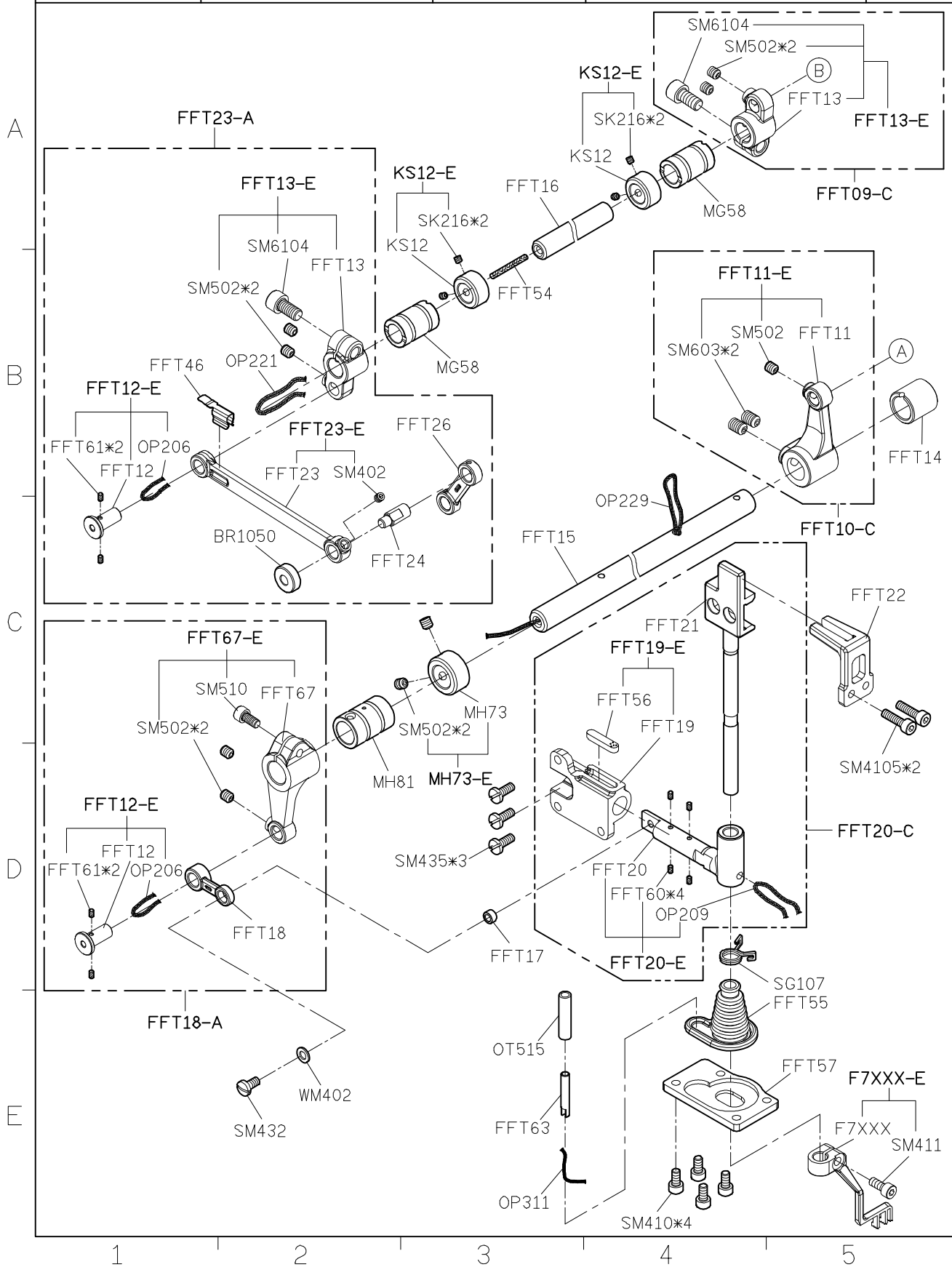
2

3

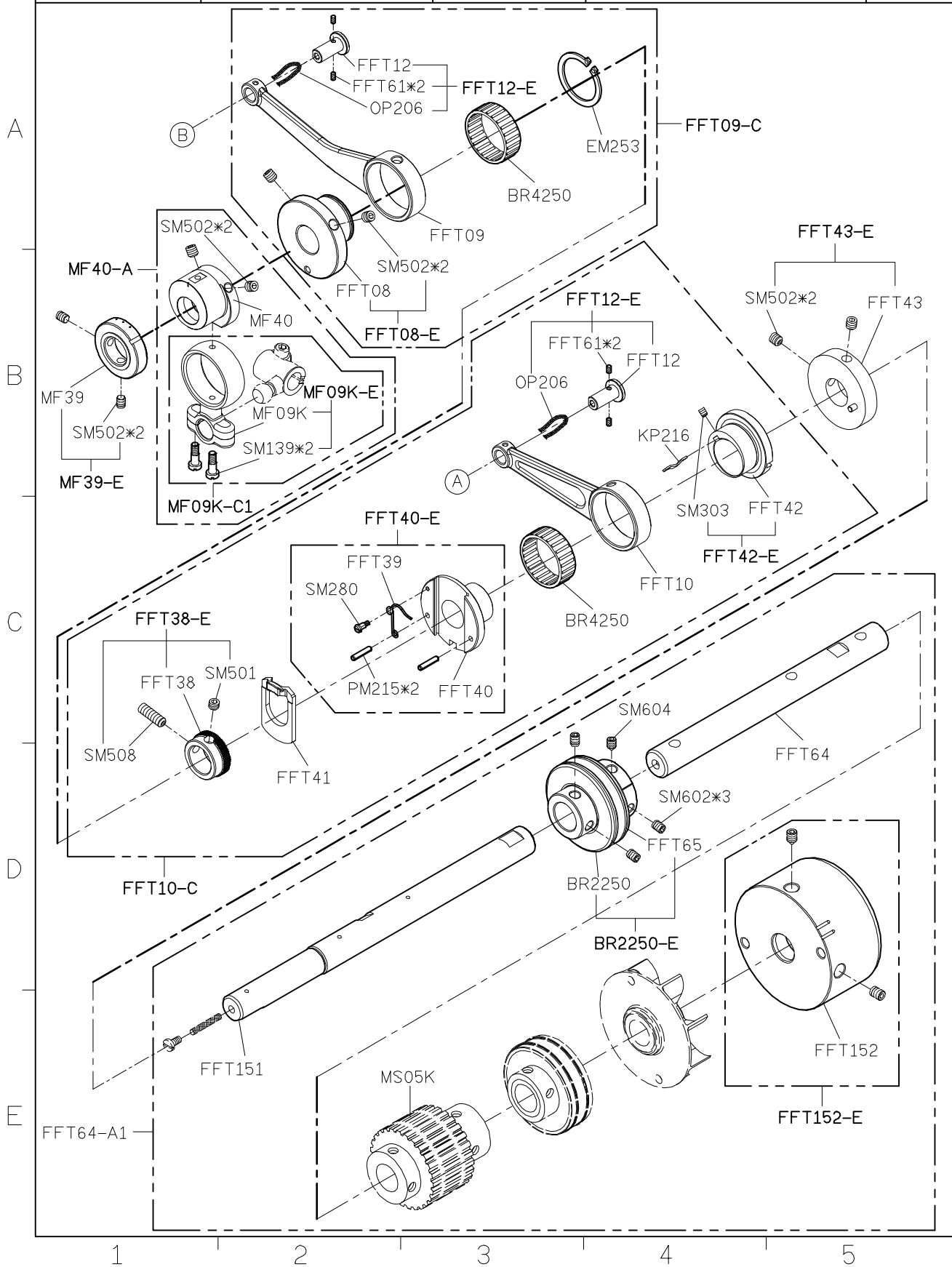
4

5

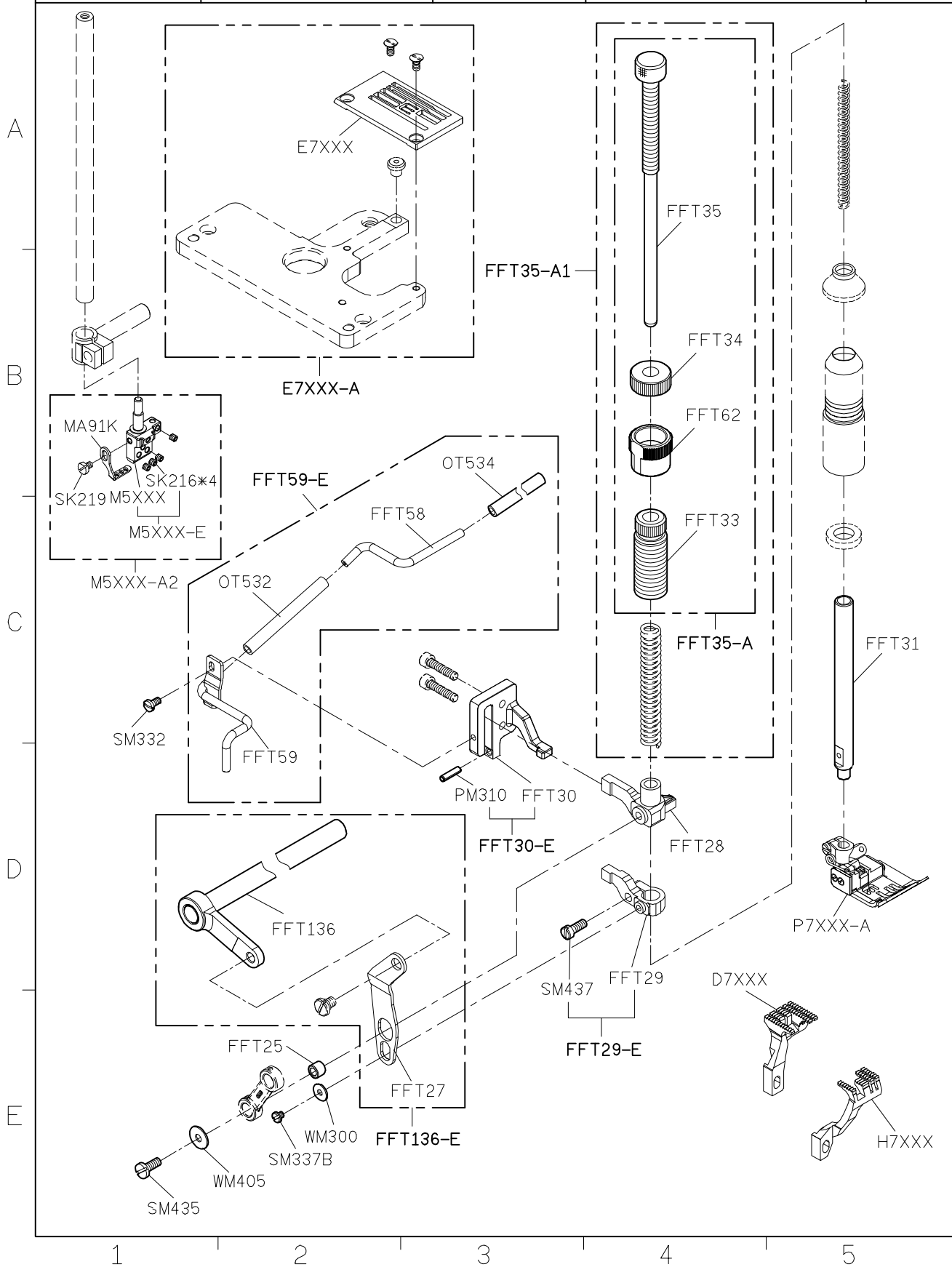
<b>SIRUBA</b> <b>PARTS LIST</b>	<b>Series</b>	<b>Parts Group</b>	<b>Subclass / Remark</b>	<b>Page</b>
	<b>S007KD</b>	<b>FFT</b>		<b>2/7</b>
				<b>Date</b>
				<b>2013/08/16</b>



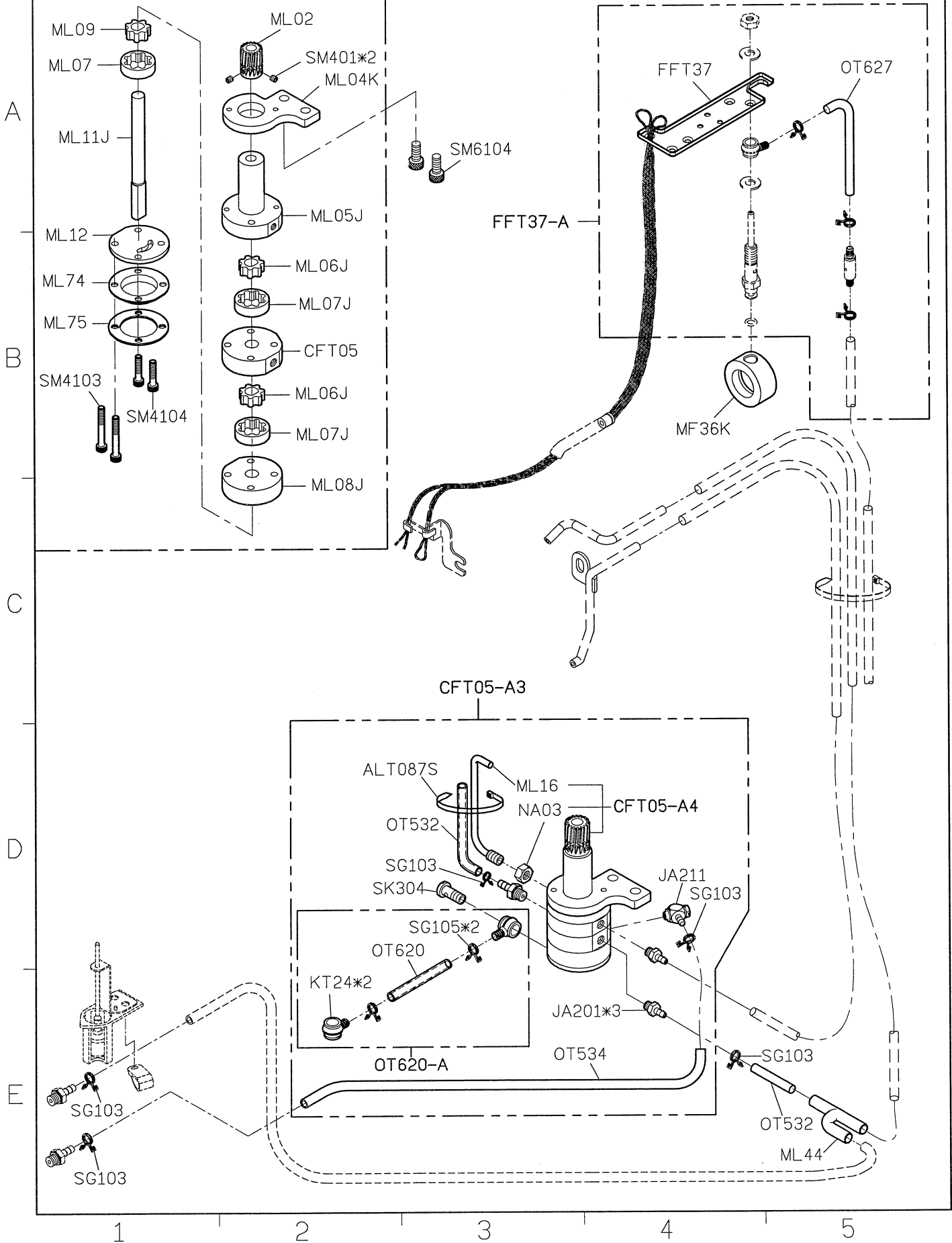
<b>SIRUBA</b> <b>PARTS LIST</b>	<b>Series</b>	<b>Parts Group</b>	<b>Subclass / Remark</b>	<b>Page</b>
	<b>S007KD</b>	<b>FFT</b>		<b>3/7</b>
				<b>Date</b>
				<b>2012/12/25</b>



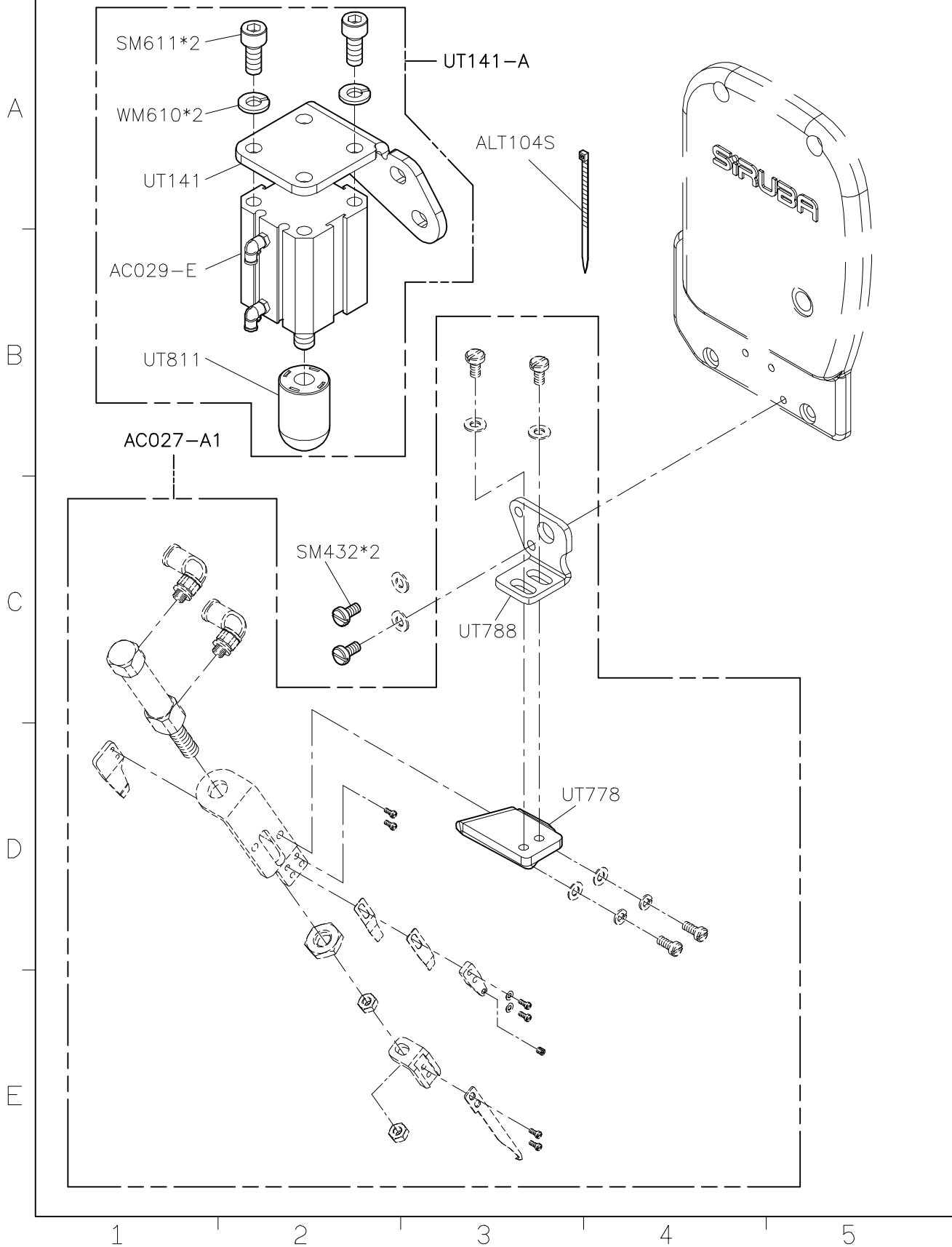
<b>SIRUBA</b> <b>PARTS LIST</b>	<b>Series</b>	<b>Parts Group</b>	<b>Subclass / Remark</b>	<b>Page</b>
	S007KD	FFT		4/7
				<b>Date</b>
				2013/06/14



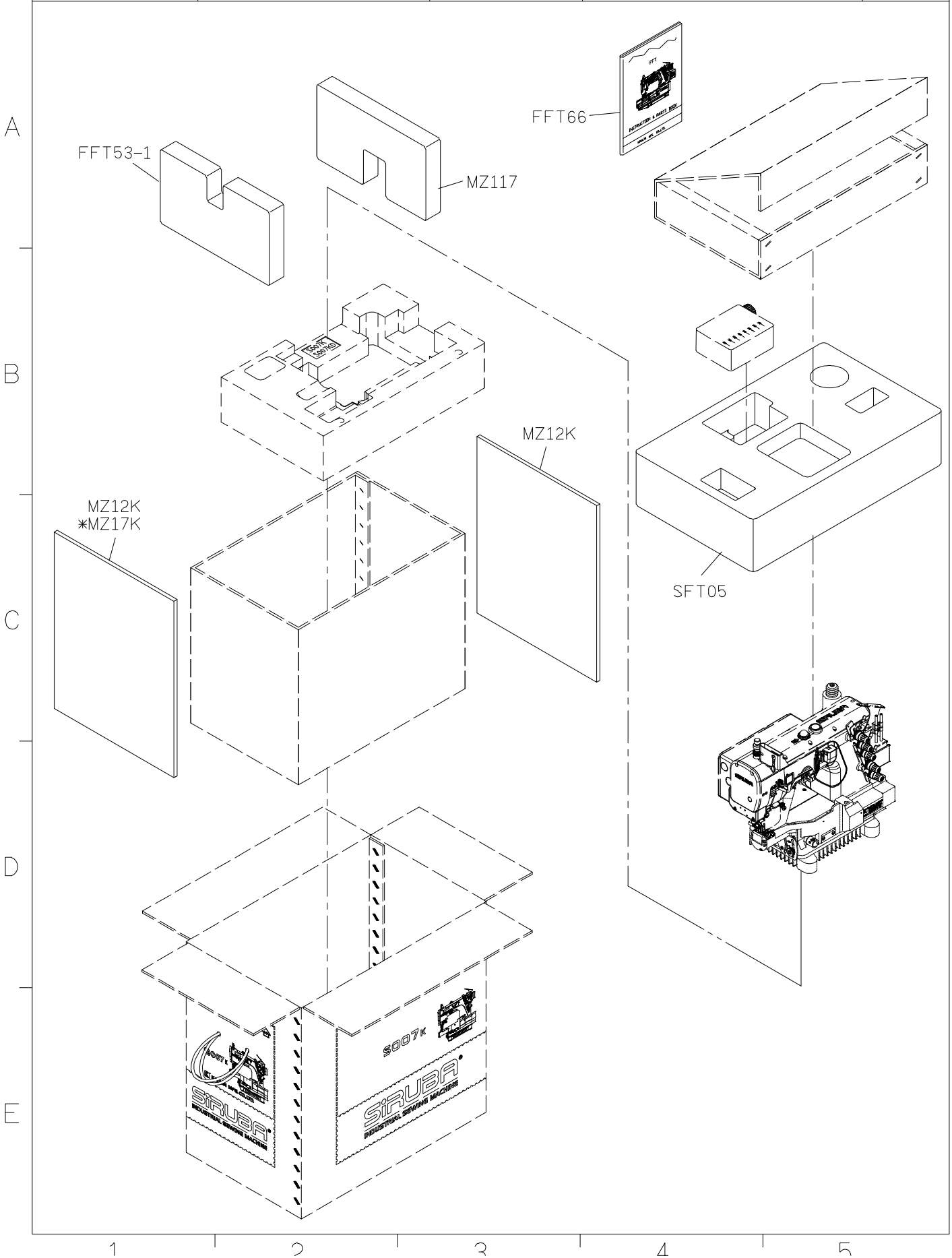
SIRUBA PARTS LIST	Series	Parts Group	Subclass / Remark	Page
	S007KD	FFT		1/7
				Date
				2015/11/24



<b>SIRUBA</b> <b>PARTS LIST</b>	<b>Series</b>	<b>Parts Group</b>	<b>Subclass / Remark</b>	<b>Page</b>
	<b>S007KD</b>	<b>FFT</b>	<b>Use for UT</b>	<b>6/7</b>
				<b>Date</b>
				<b>2014/03/10</b>



<b>SIRUBA</b> <b>PARTS LIST</b>	Series	Parts Group	Subclass / Remark	Page
	<b>S007KD</b>	<b>FFT</b>	<b>* Use for UT</b>	7/7
				Date
				2012/12/25





SIRUBA PARTS LIST	Series	Parts Group	Subclass / Remark	Page
	S007K/S007KD	SAR	For S007K/S007KD 2 <sup>nd</sup> Generation add SAR to the type UT ☐ : Use for H brand motor (HVP-20)	1/2 Date 2013/03/28

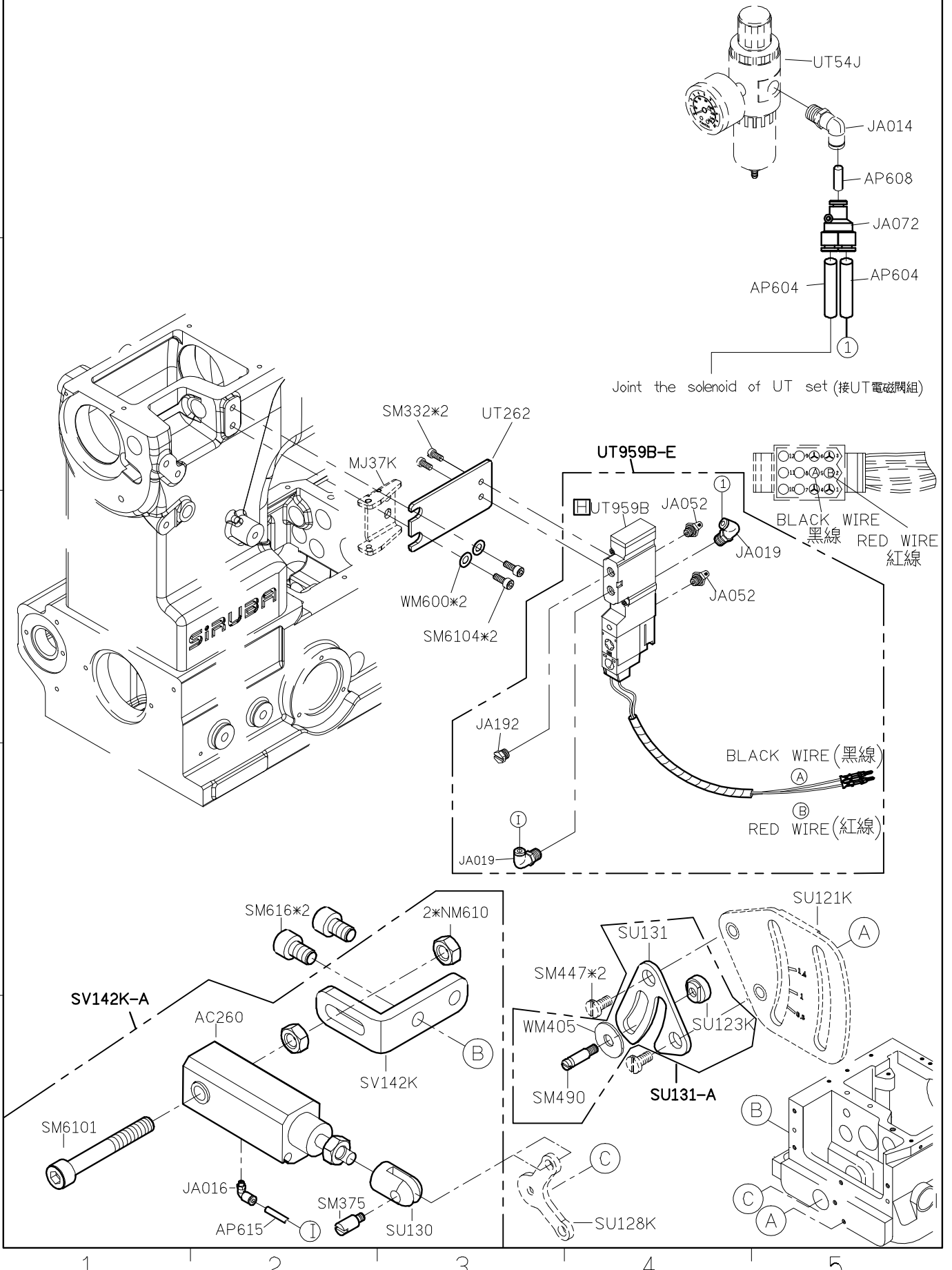
A

B

C

D

E



**SIRUBA**  
**PARTS LIST**

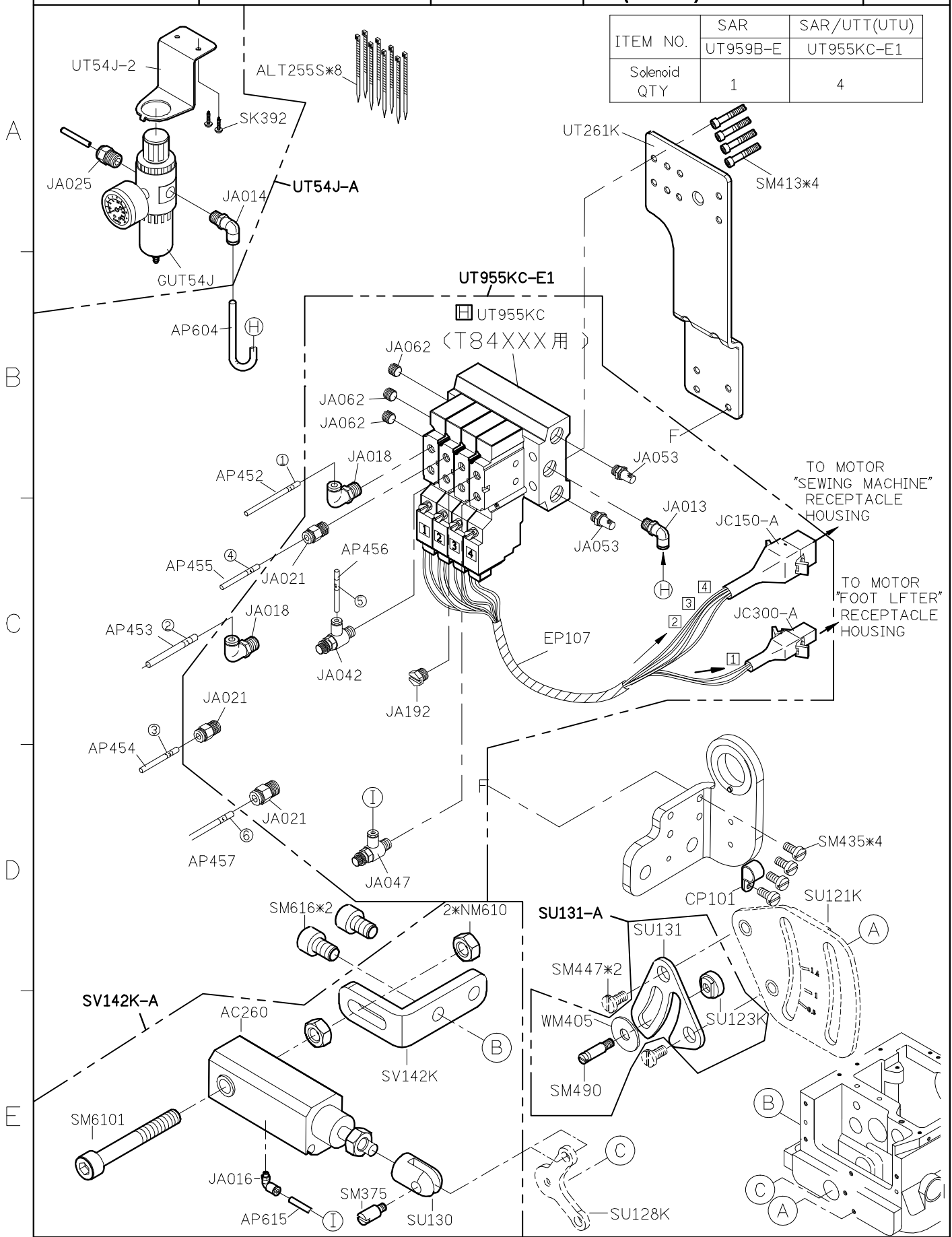
**Series**  
**S007K/S007KD**

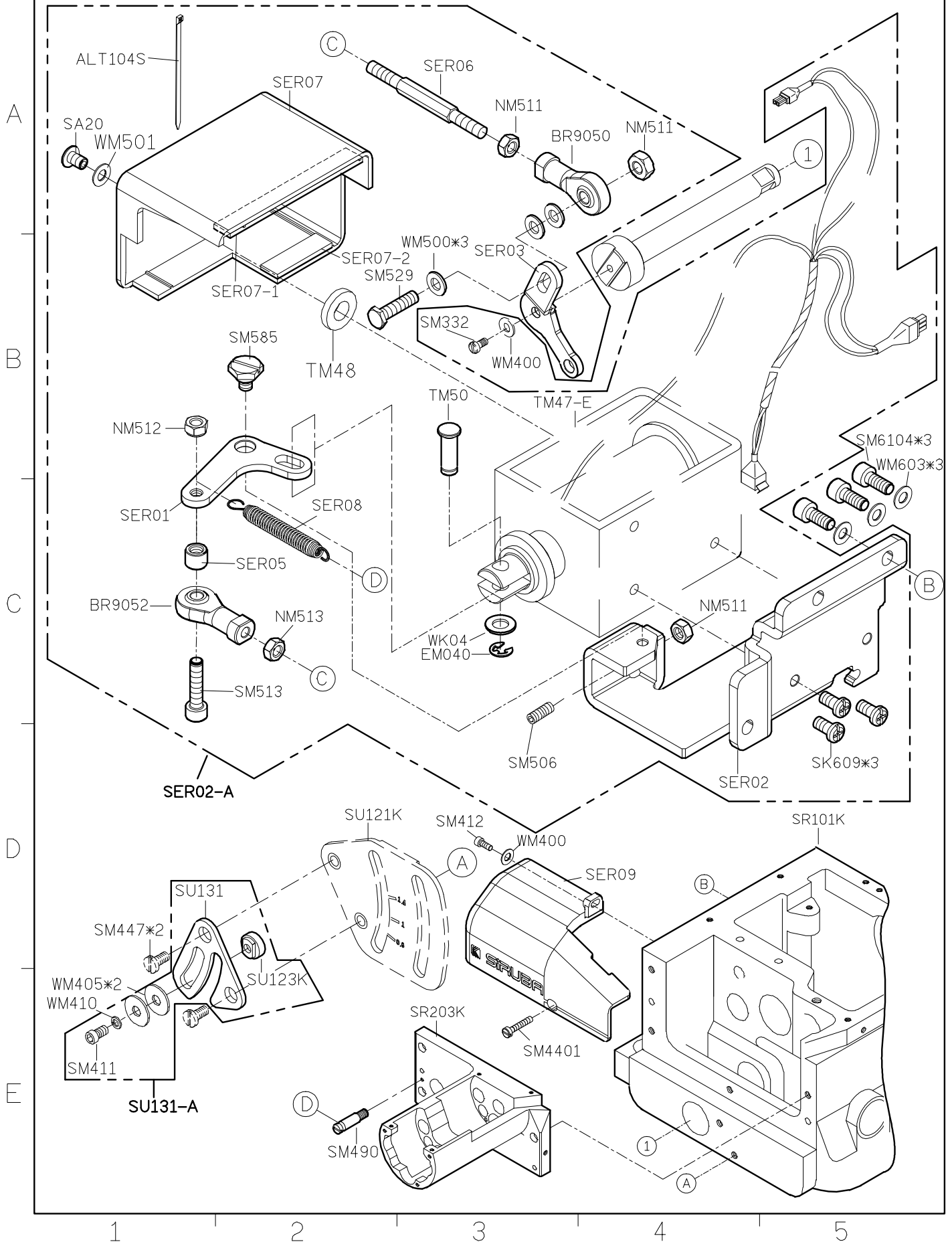
**Parts Group**  
**SAR**

**Subclass / Remark**  
For S007K/S007KD 2<sup>nd</sup> Generation  
-UT  
☐ : Use for H brand motor  
(HVP-20)

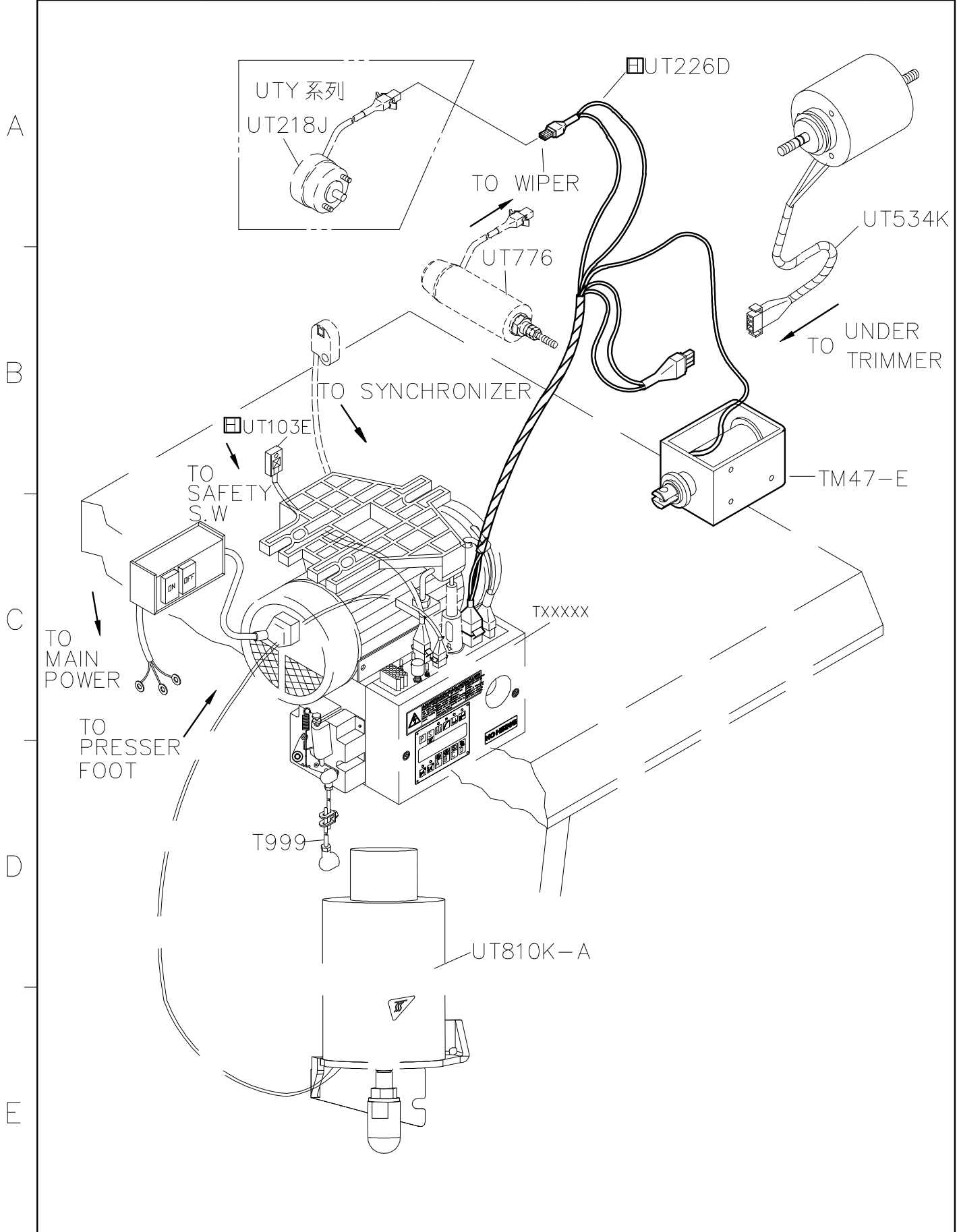
**Page**  
**2/2**  
**Date**  
**2012/10/31**

ITEM NO.	SAR	SAR/UTT(UTU)
	UT959B-E	UT955KC-E1
Solenoid QTY	1	4





SIRUBA PARTS LIST	Series	Parts Group	Subclass / Remark	Page
	S007K/S007KD	SER	☐ : Use for H牌馬達	2/4
				Date
				2012/10/08



SIRUBA PARTS LIST	Series	Parts Group	Subclass / Remark	Page
	S007K/S007KD	SER	☐ : Use for H牌馬達	3/4
				Date
				2012/10/08

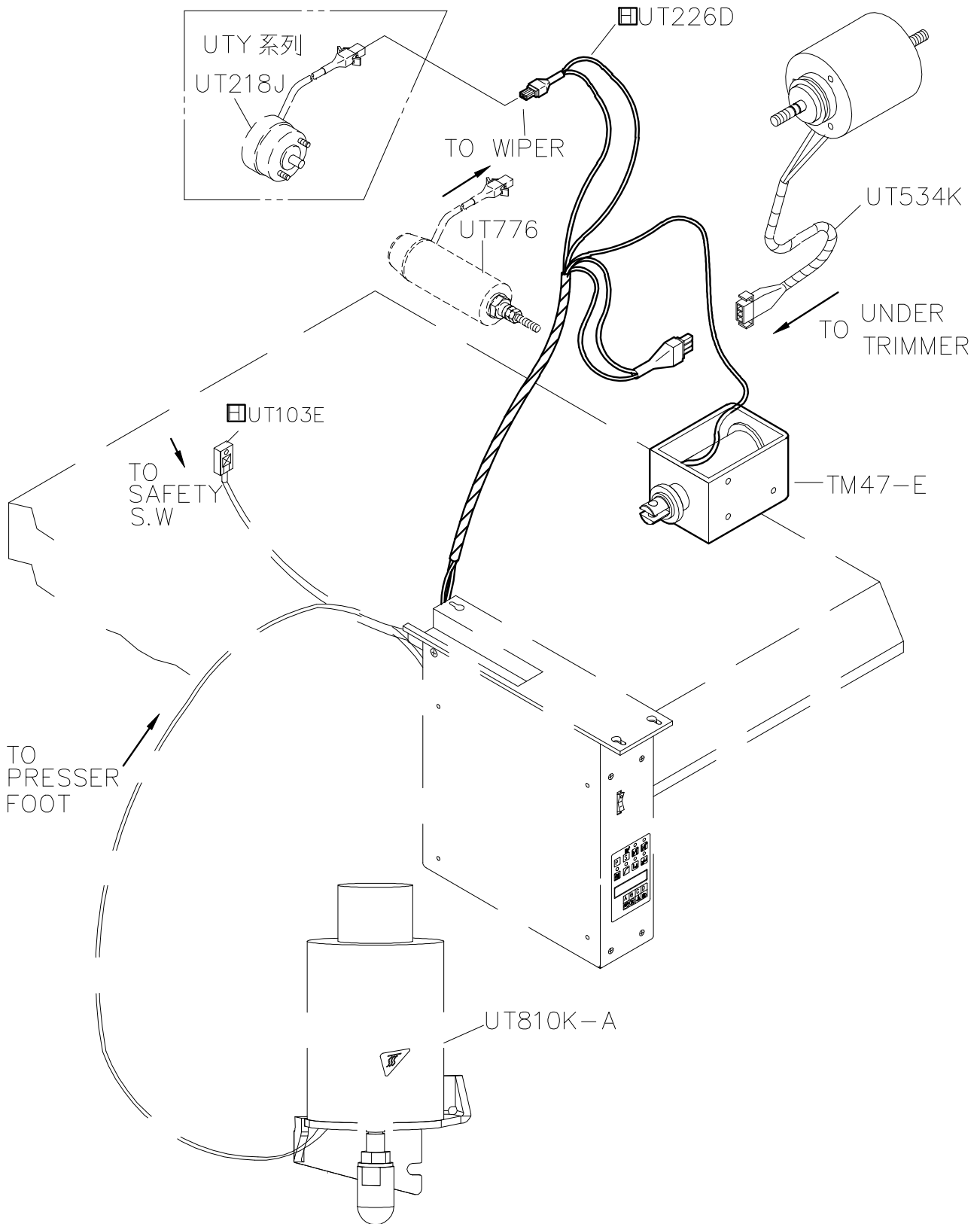
A

B

C

D

E



1

2

3

4

5

SIRUBA PARTS LIST	Series	Parts Group	Subclass / Remark	Page
	S007K/S007KD	SER	☐ : Use for H牌馬達	4/4
				Date
				2012/10/08

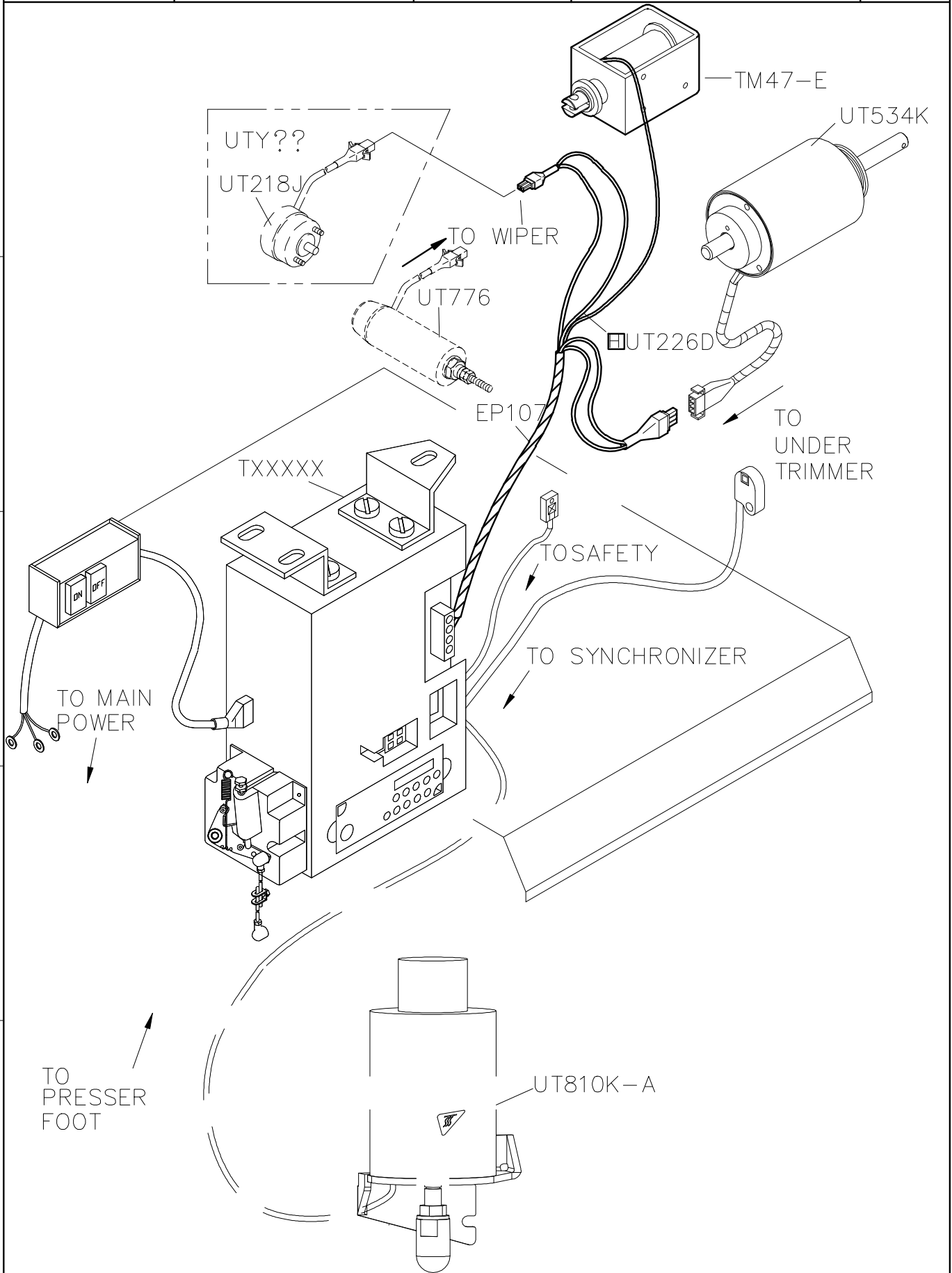
A

B

C

D

E



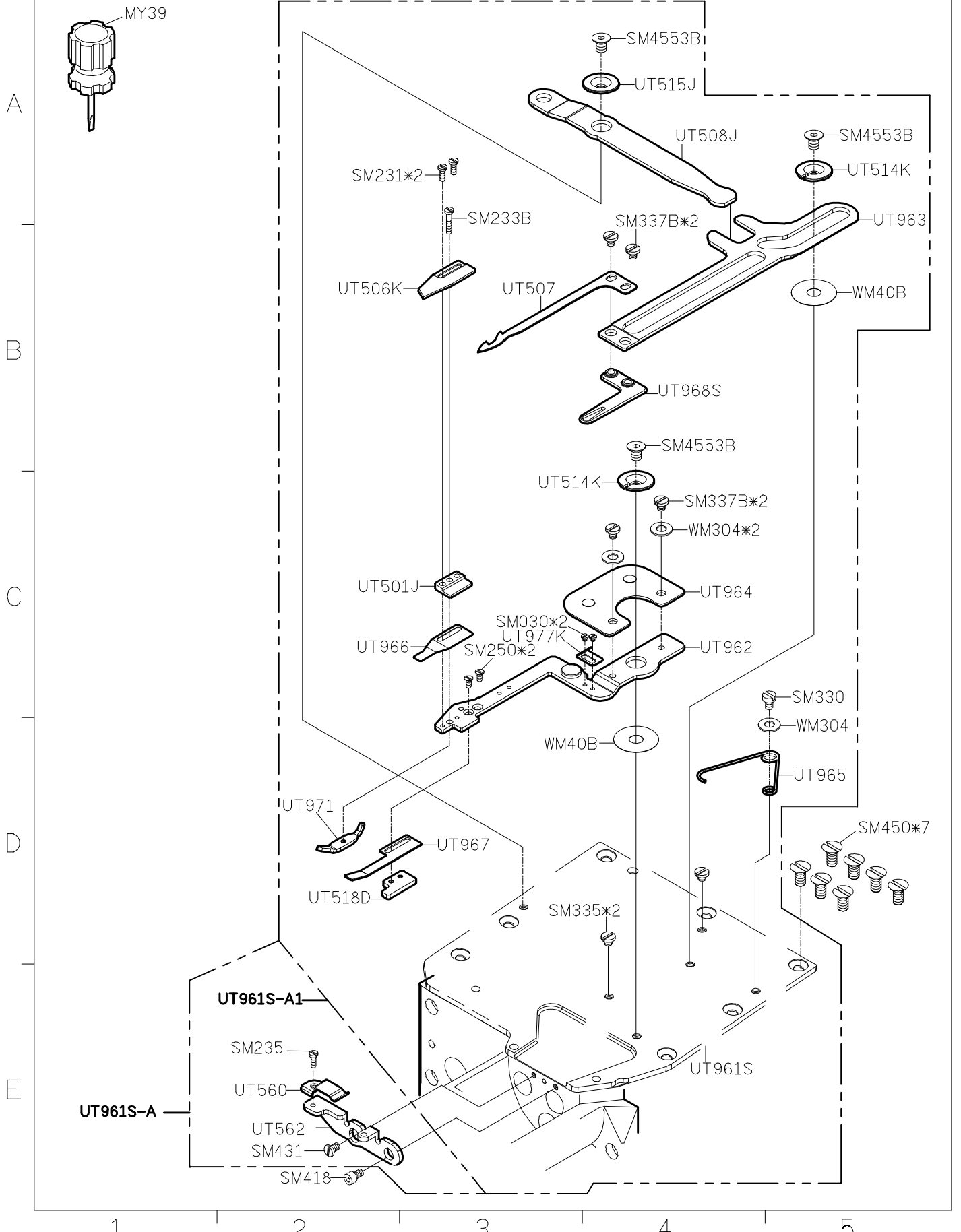
1

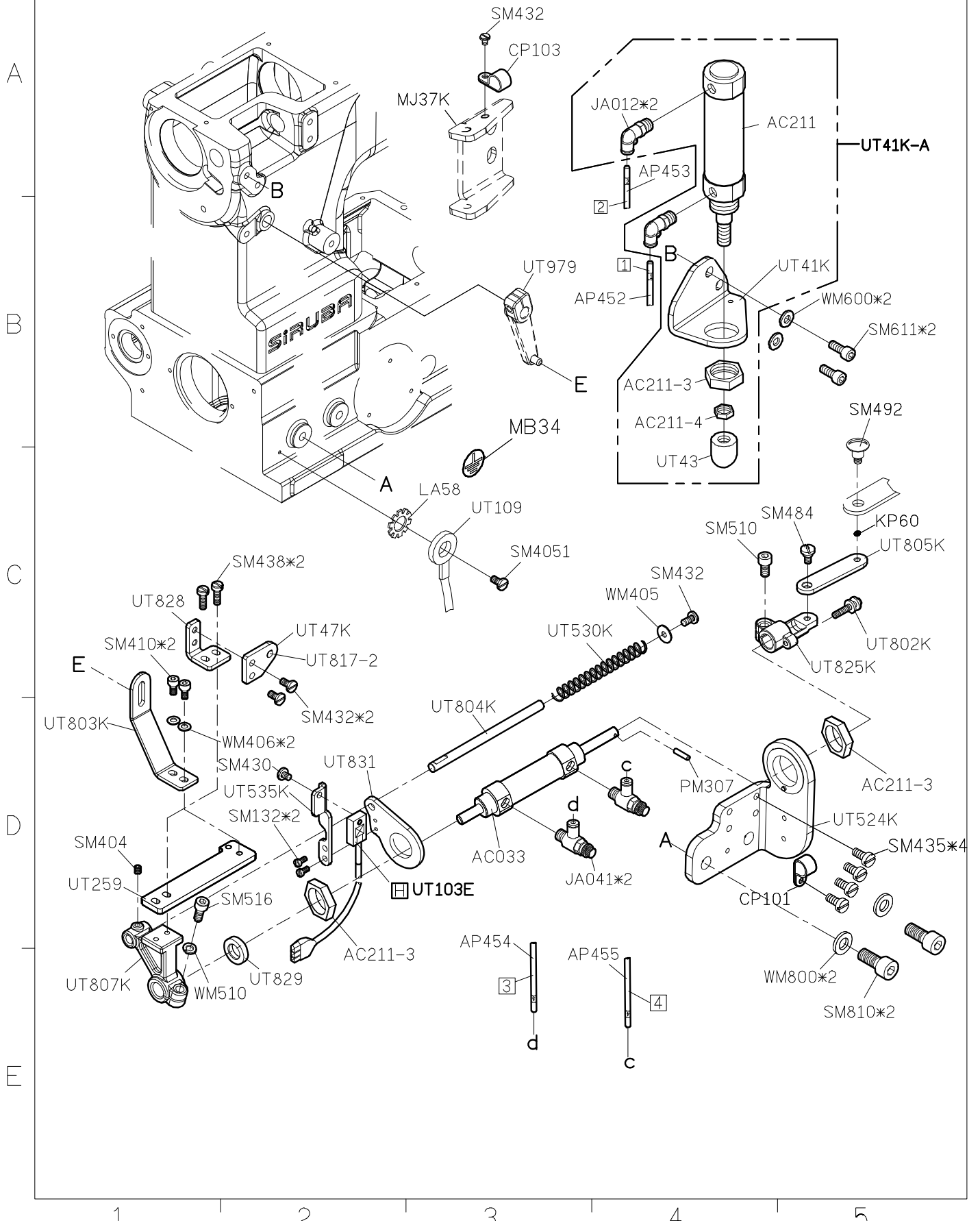
2

3

4

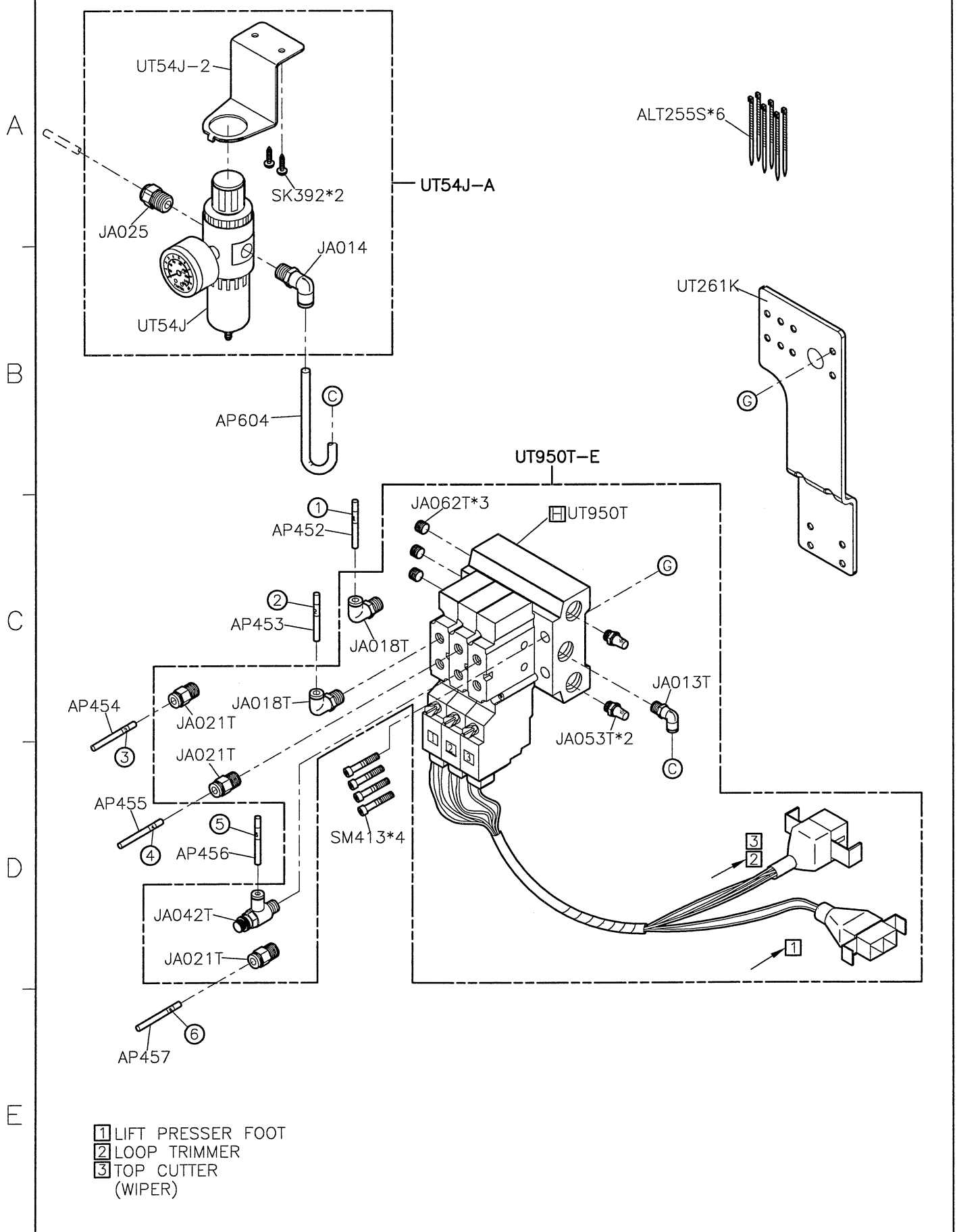
5







SIRUBA PARTS LIST	Series	Parts Group	Subclass / Remark	Page
	S007K/S007KD	UTT(UTU)-K	For S007K/S007KD 2 <sup>nd</sup> Generation	3/11
			☐ : Use for H brand motor	Date
				2015/09/14



SIRUBA	Series	Parts Group	Subclass / Remark	Page
	PARTS LIST	S007K/S007KD	UTT(UTU)-K	For S007K
				Date
				2013/08/06

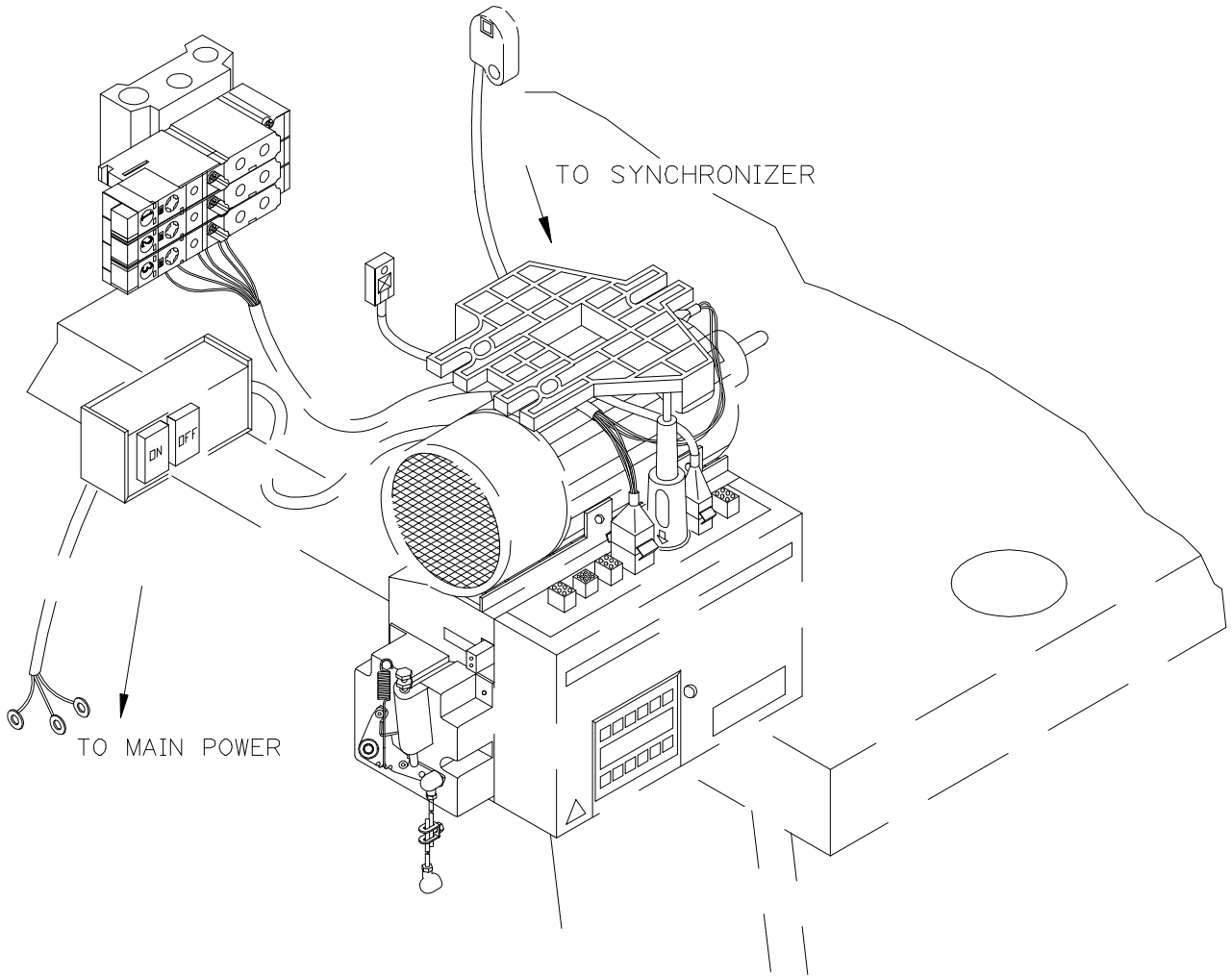
A

B

C

D

E



1

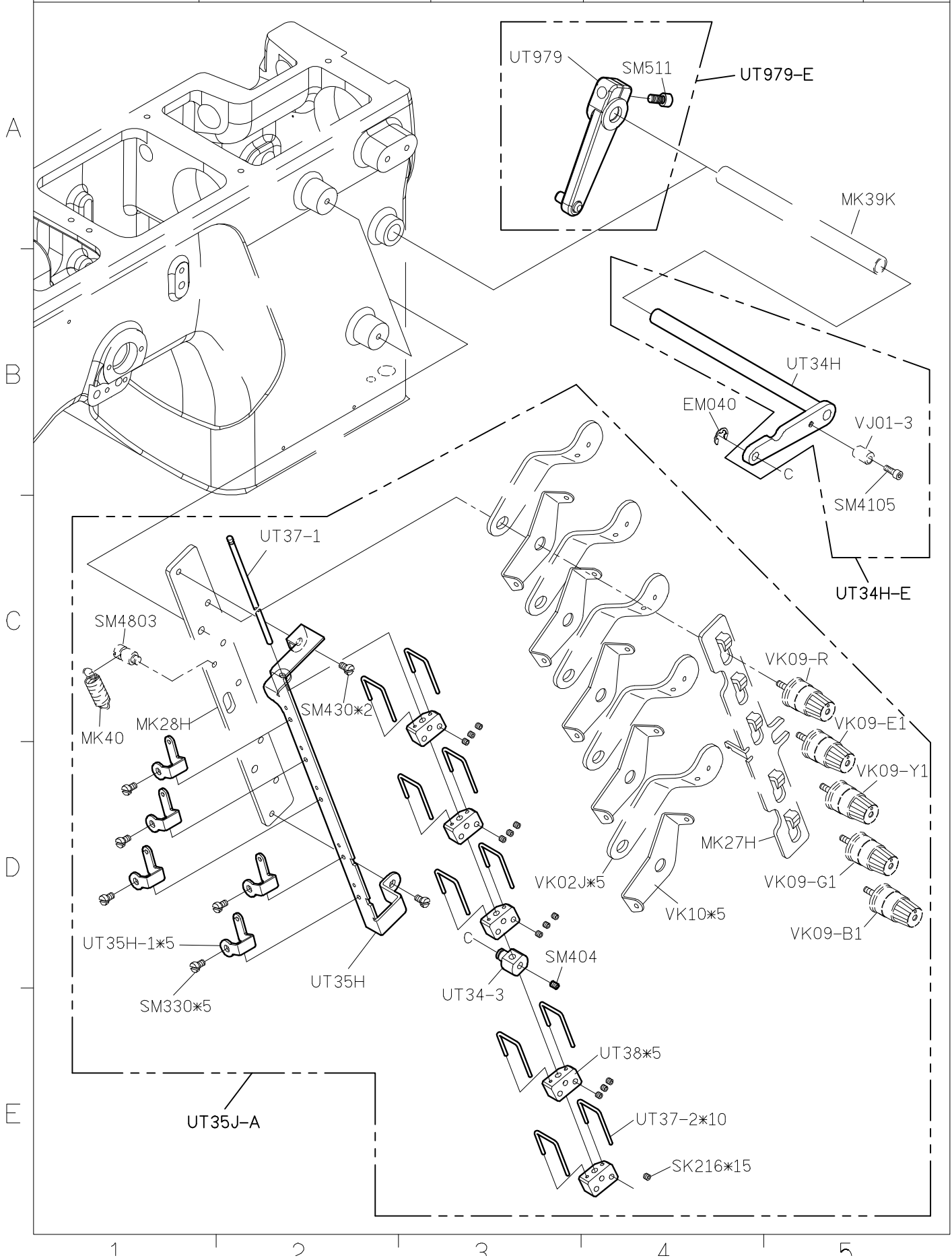
2

3

4

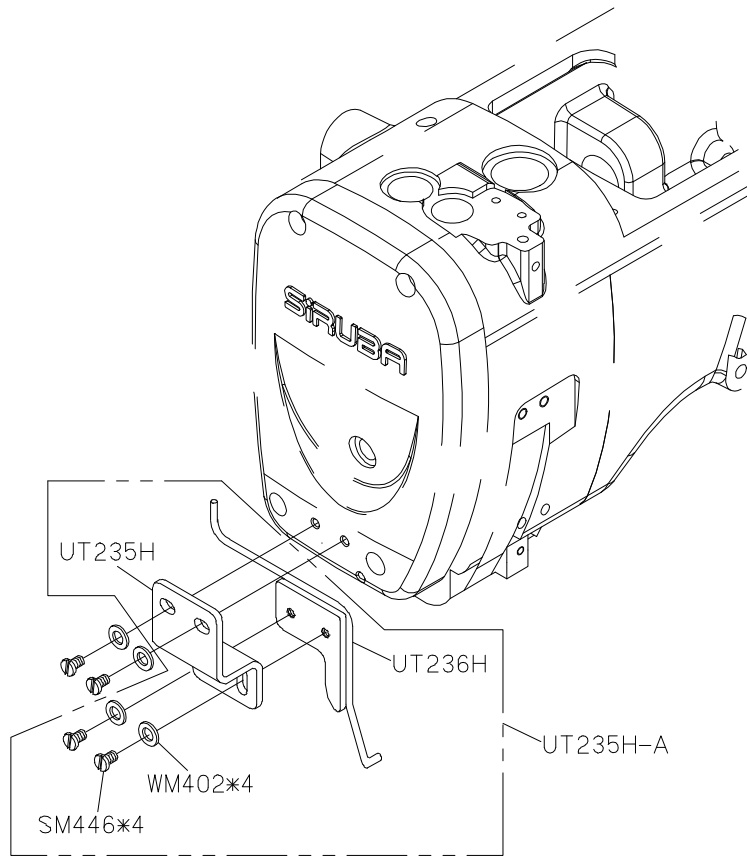
5

Series	Parts Group	Subclass / Remark	Page
<b>S007K/S007KD</b>	<b>UTT(UTU)-K</b>	<b>For S007K/S007KD 2<sup>nd</sup> Generation</b>	<b>5/11</b>
			<b>Date</b>
			<b>2013/10/16</b>

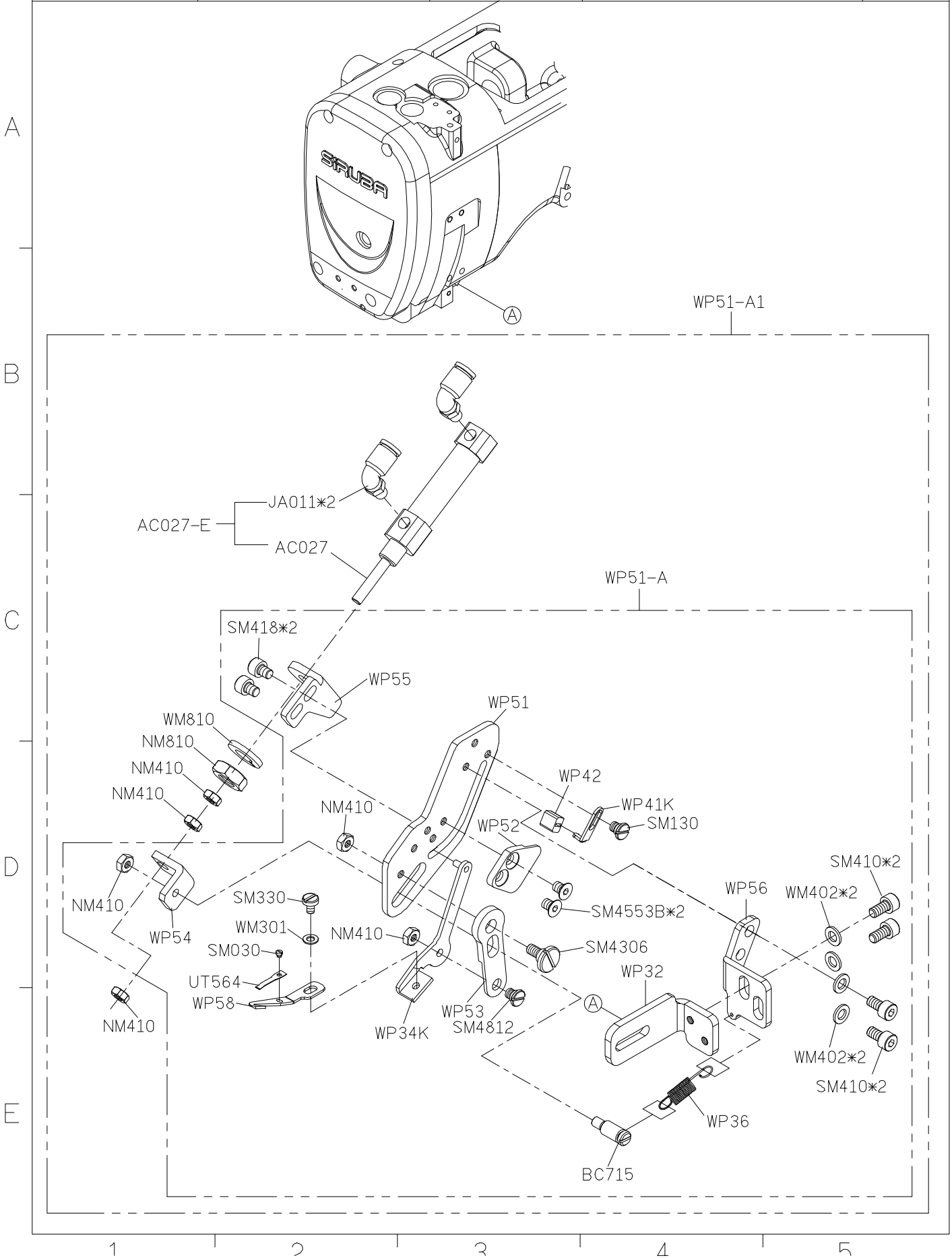


<b>SIRUBA</b>	Series	Parts Group	Subclass / Remark	Page
PARTS LIST	S007K/S007KD	UTU-K		6/11
				Date
				2013/08/06

FOR LEFT SIDE



SIRUBA PARTS LIST	Series	Parts Group	Subclass / Remark	Page
	S007K/S007KD	UTU-K1	For allocation	7/11
				Date
				2015/01/05



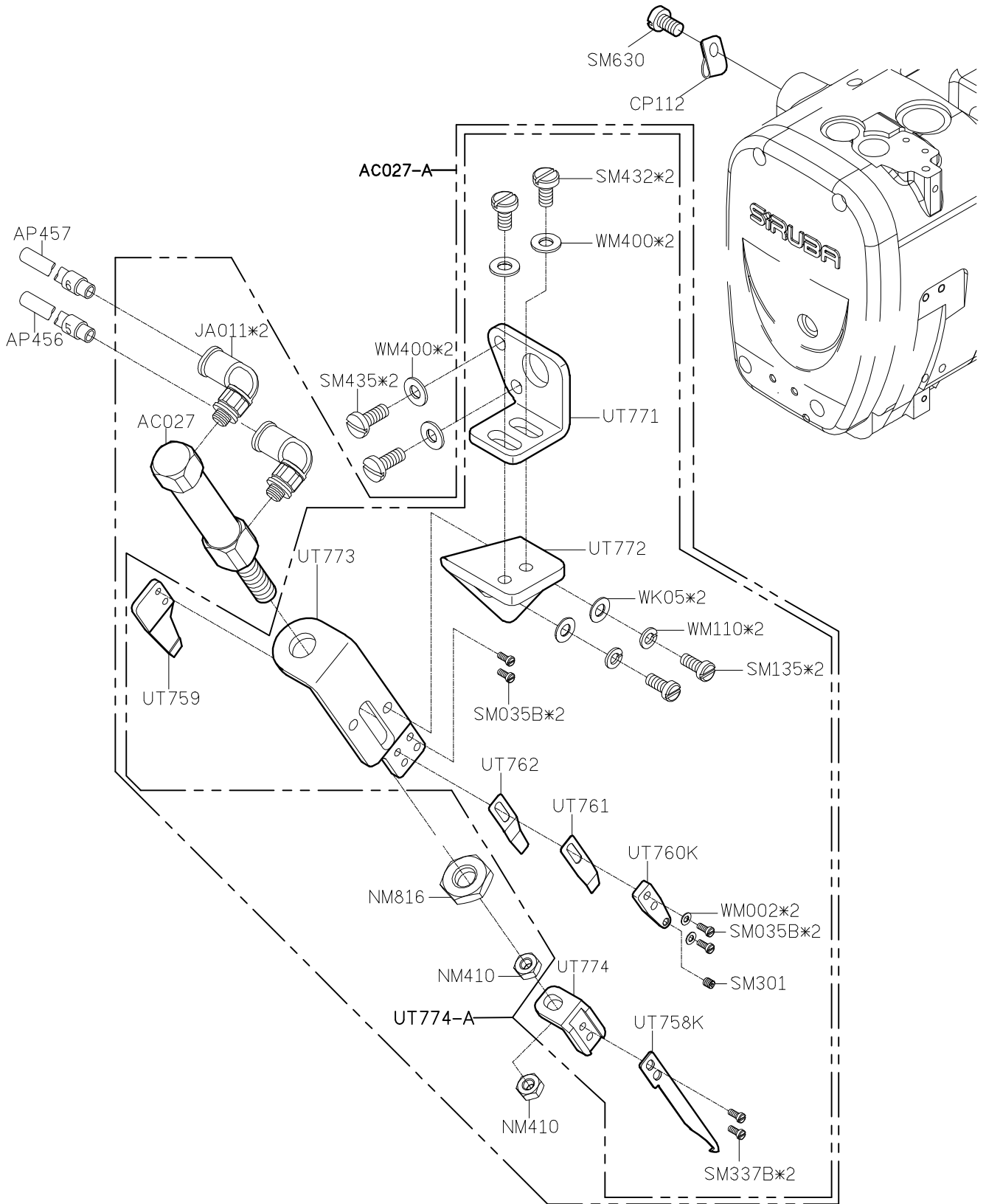
A

B

C

D

E



1

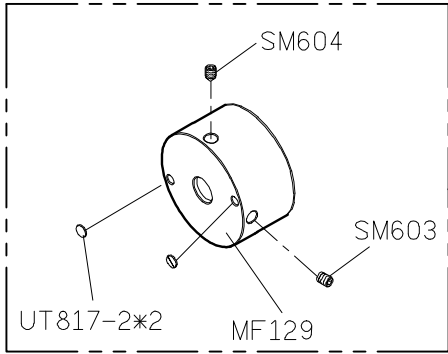
2

3

4

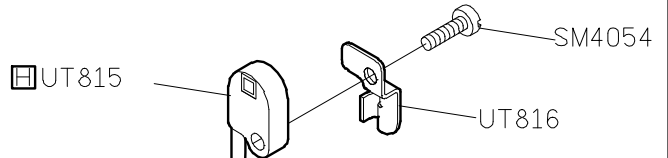
5

A



UT818J-A

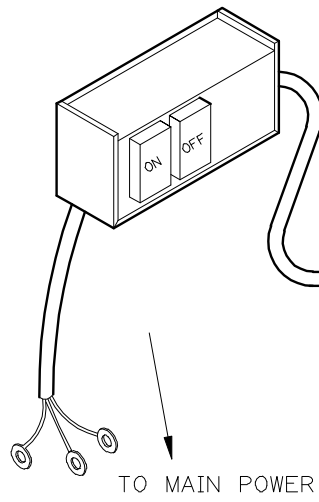
B



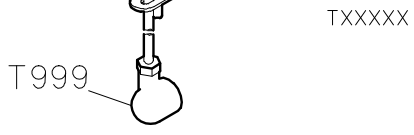
C

TO SYNCHRONIZER

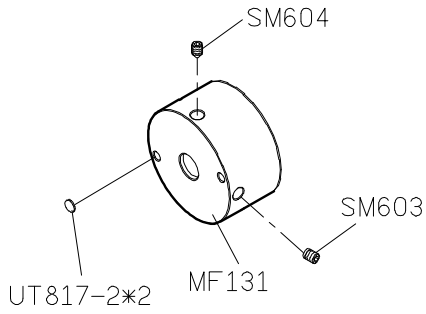
D



E

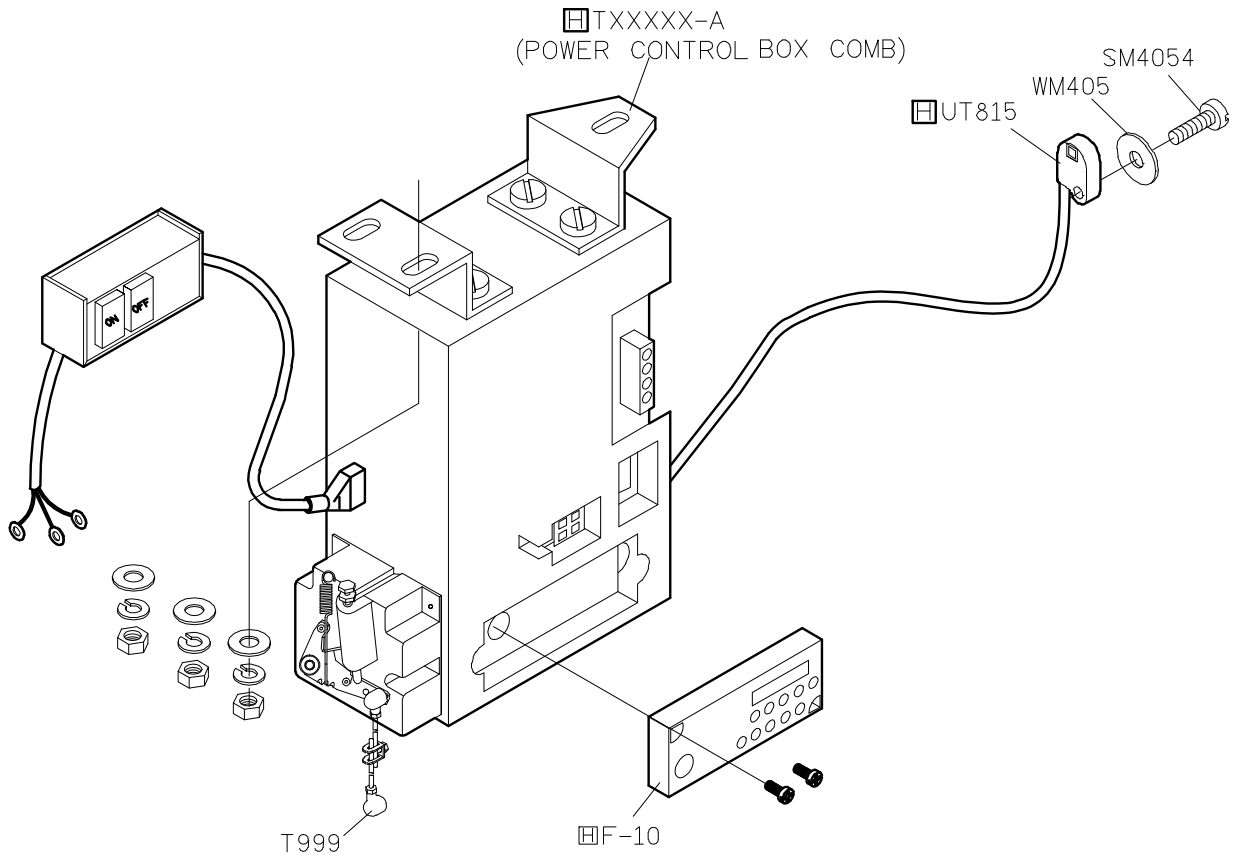


A



B

C

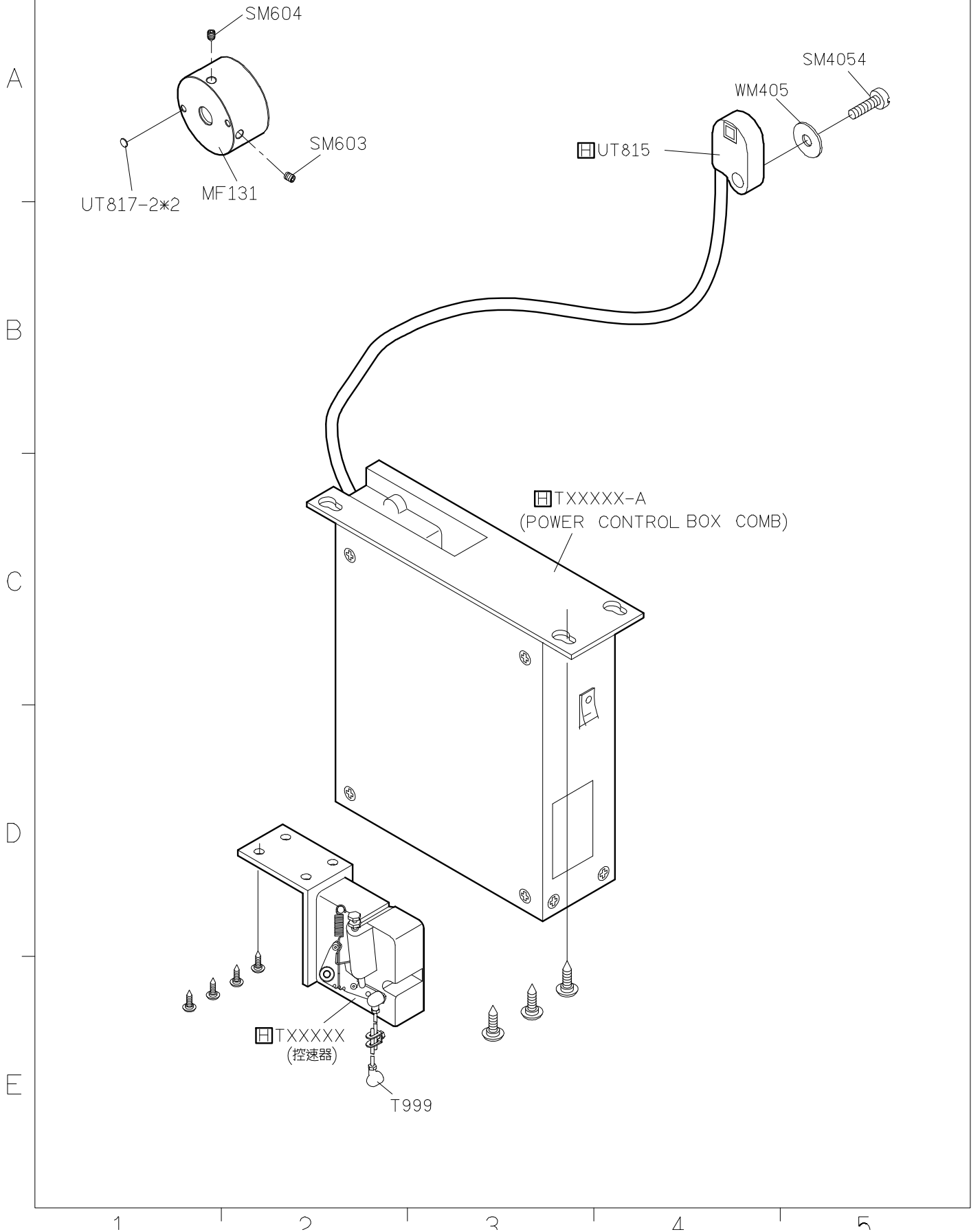


D

E



SIRUBA PARTS LIST	Series	Parts Group	Subclass / Remark	Page
	S007K/S007KD	UTT(UTU)-K	For S007KD	11/11
			☐ : Use for H brand motor (HVP-70)	Date
			2013/08/06	



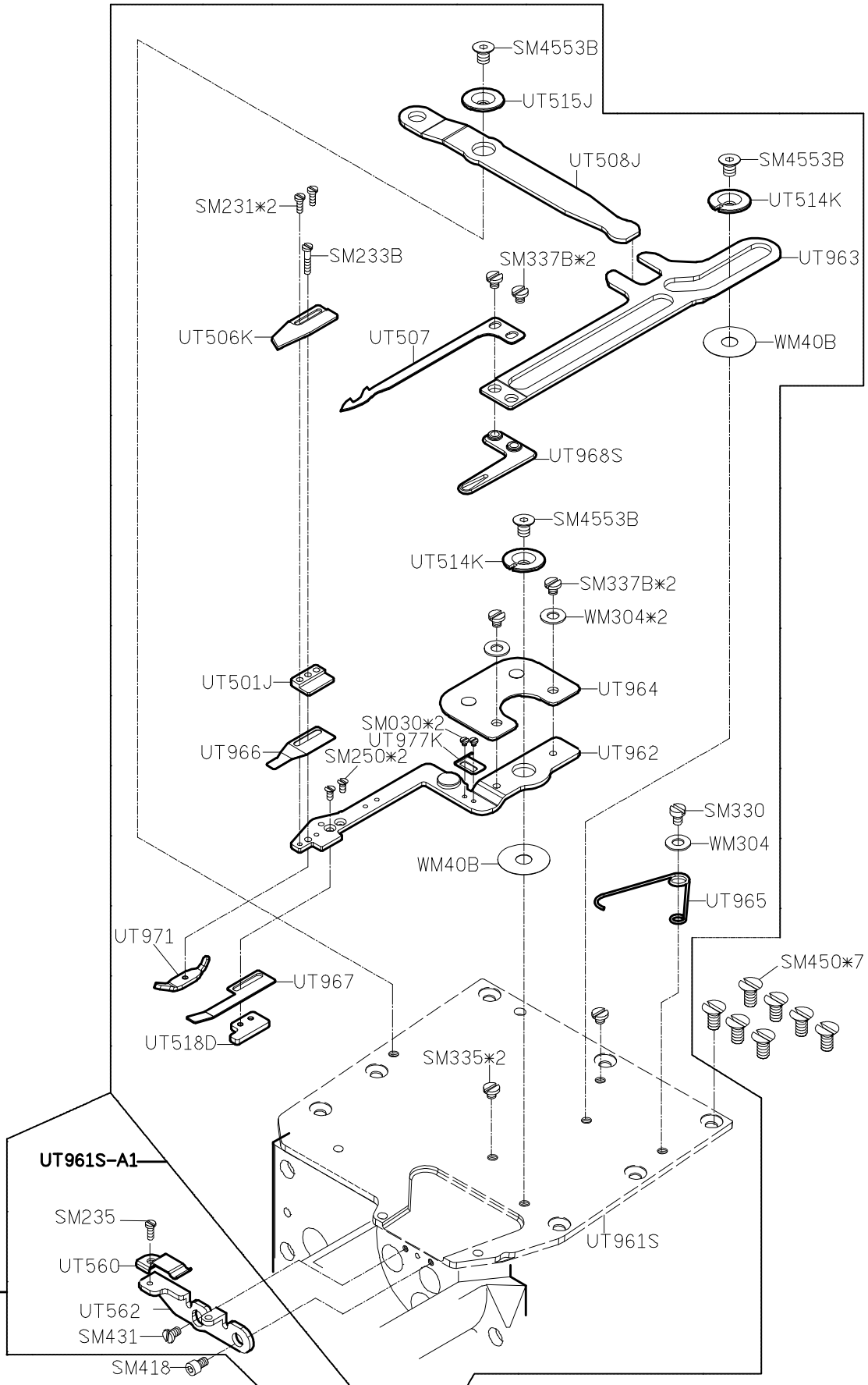
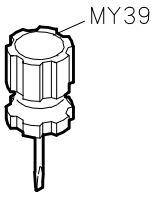
A

B

C

D

E



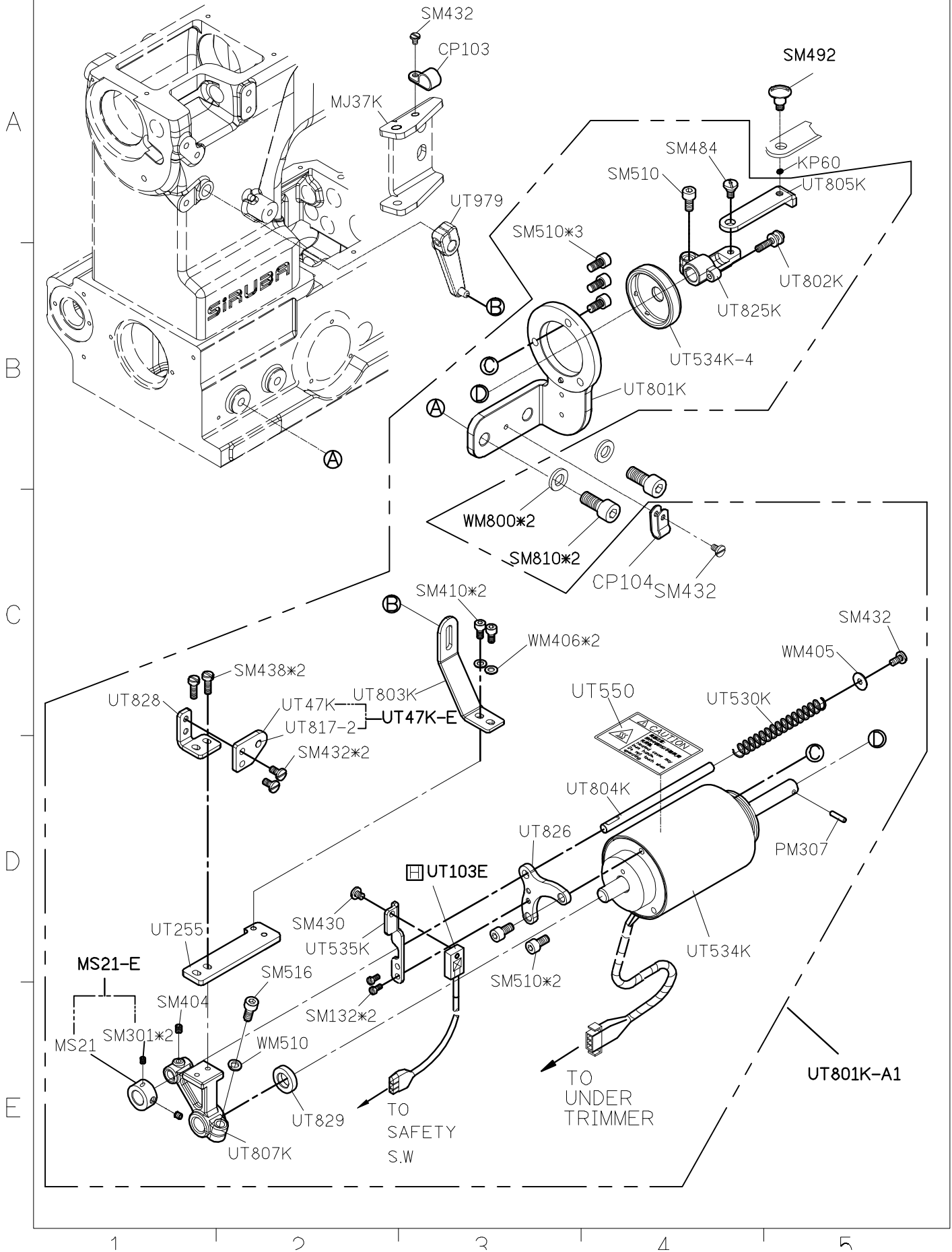
1

2

3

4

5



**SIRUBA**

PARTS LIST

Series

**S007K/S007KD**

Parts Group

**UTX(UTY)-K**

Subclass / Remark

**For S007K/S007KD 2<sup>nd</sup> Generation**

Page

**3/12**

Date

2014/05/19

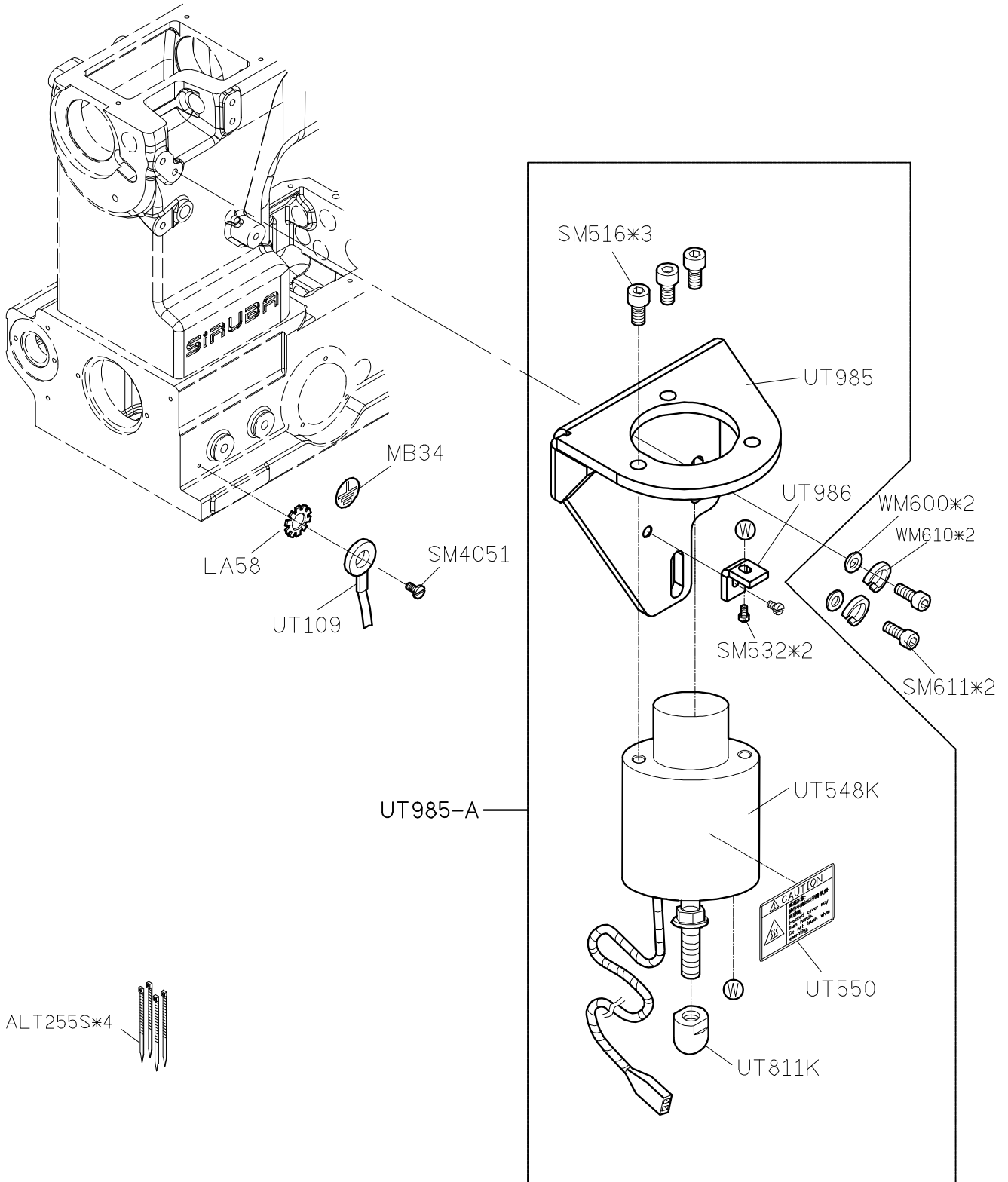
A

B

C

D

E



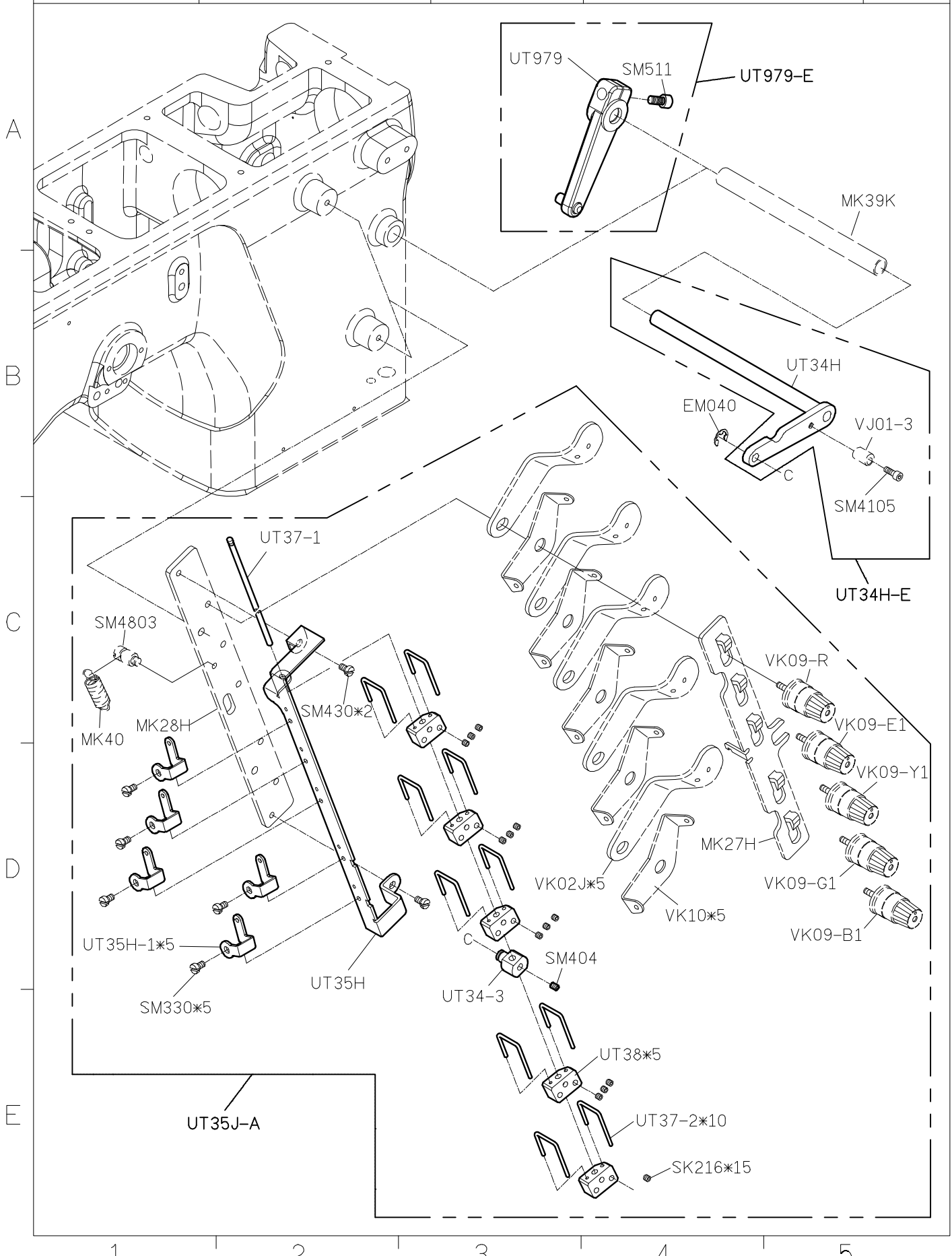
1

2

3

4

5



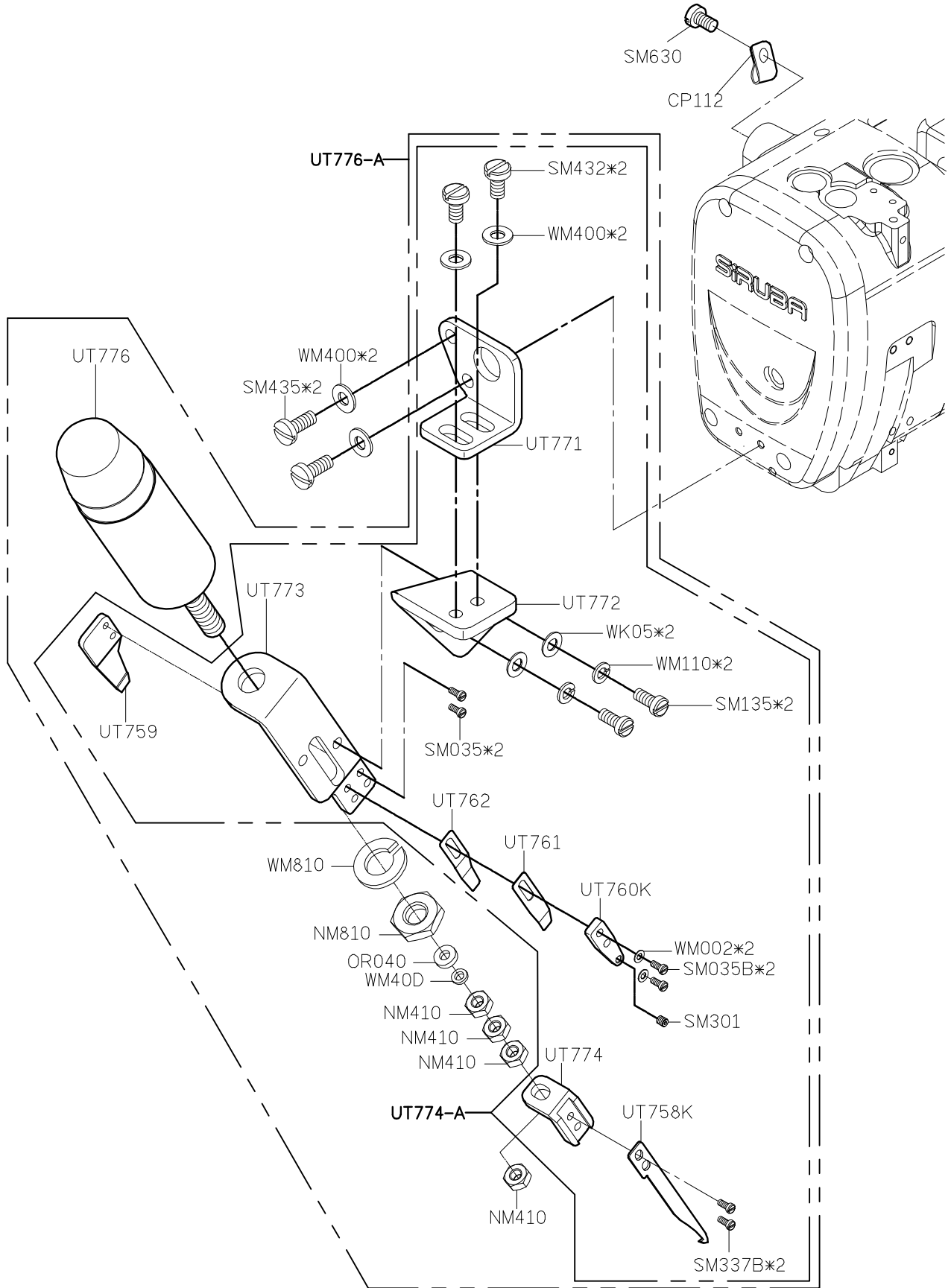
A

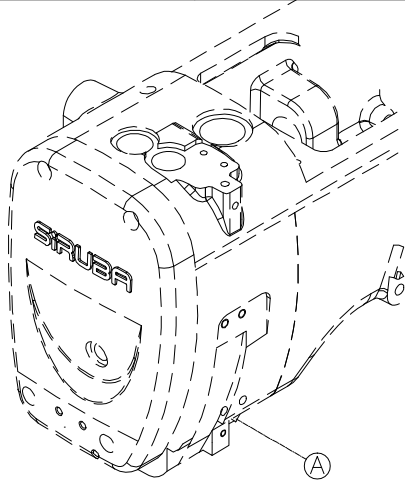
B

C

D

E





WP51-A2

UT776

WP51-A

SM418\*2

WP55

WP51

WP42

WP41K  
SM130

WM810

NM810

OR040

WM40D

NM410

NM410

WP52

SM4553B\*2

WP56

SM410\*2

WM402\*2

SM330

WM301

SM030

WP54

UT564

WP58

NM410

SM4306

WP32

WM402\*2

SM410\*2

WP34K

WP53

SM4831

BC715

WP36

1

2

3

4

5

A

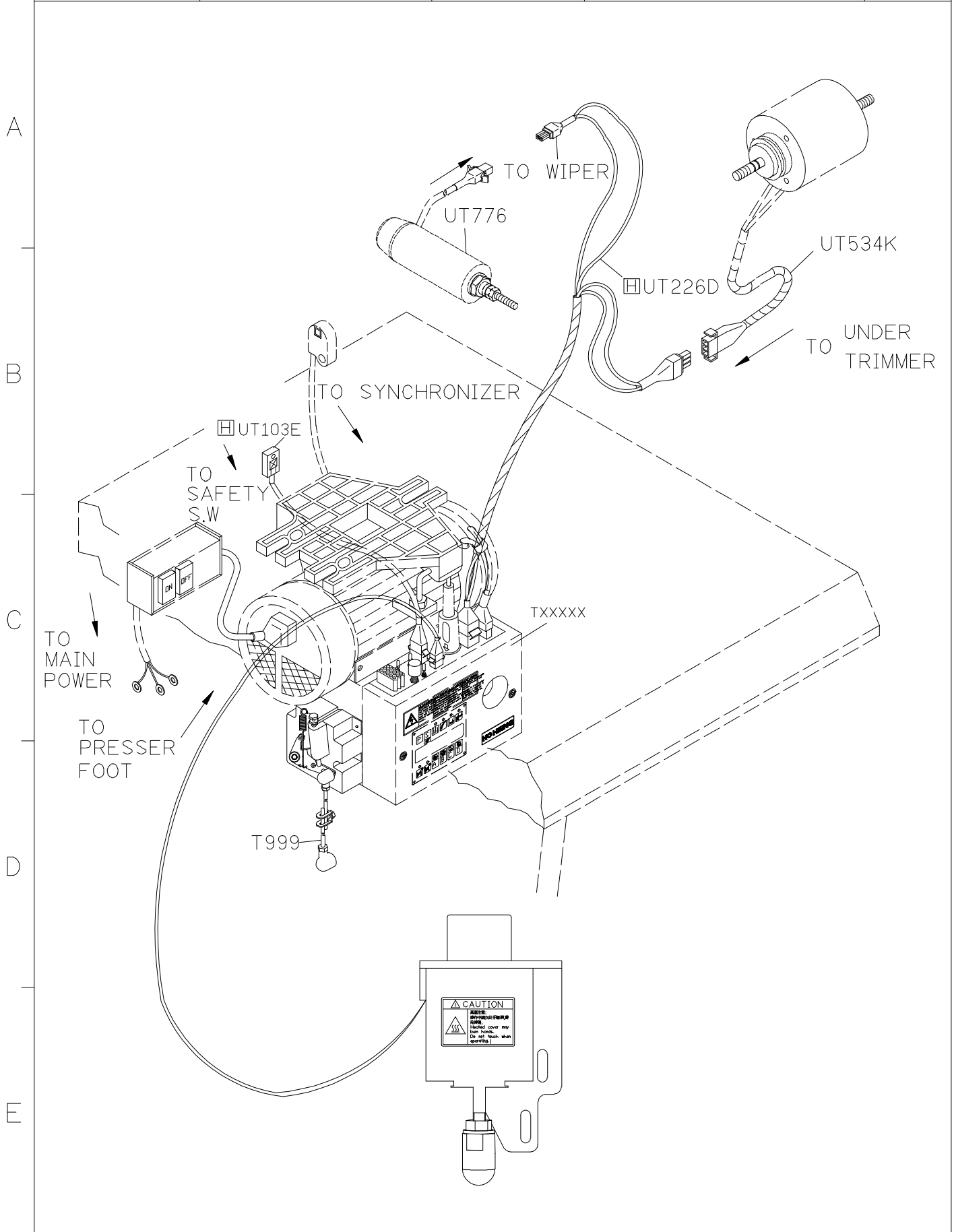
B

C

D

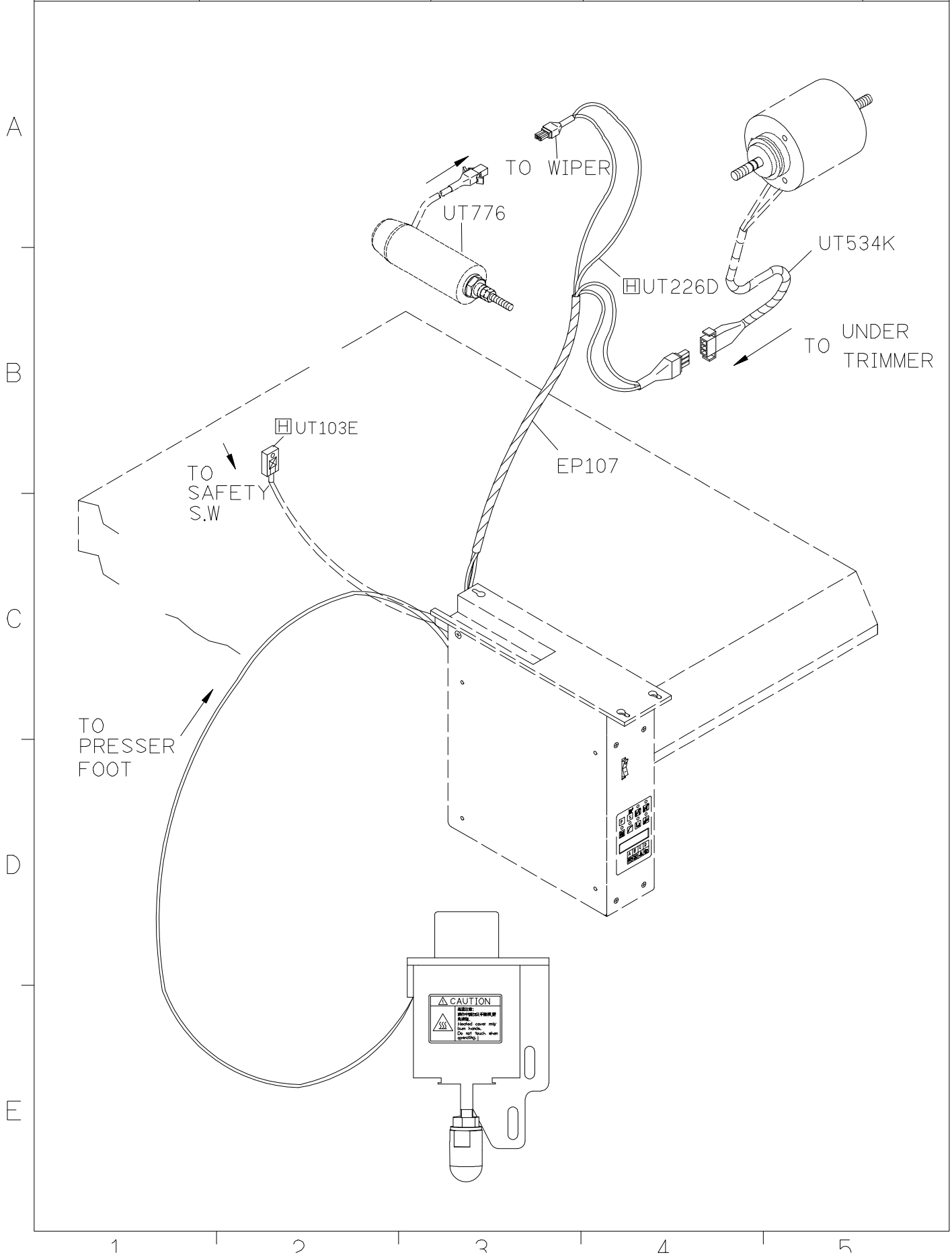
E

SIRUBA PARTS LIST	Series	Parts Group	Subclass / Remark	Page
	S007K/S007KD	UTX(UTY)-K	For S007K ☐ : Use for H brand motor	7/12 Date 2015/01/05

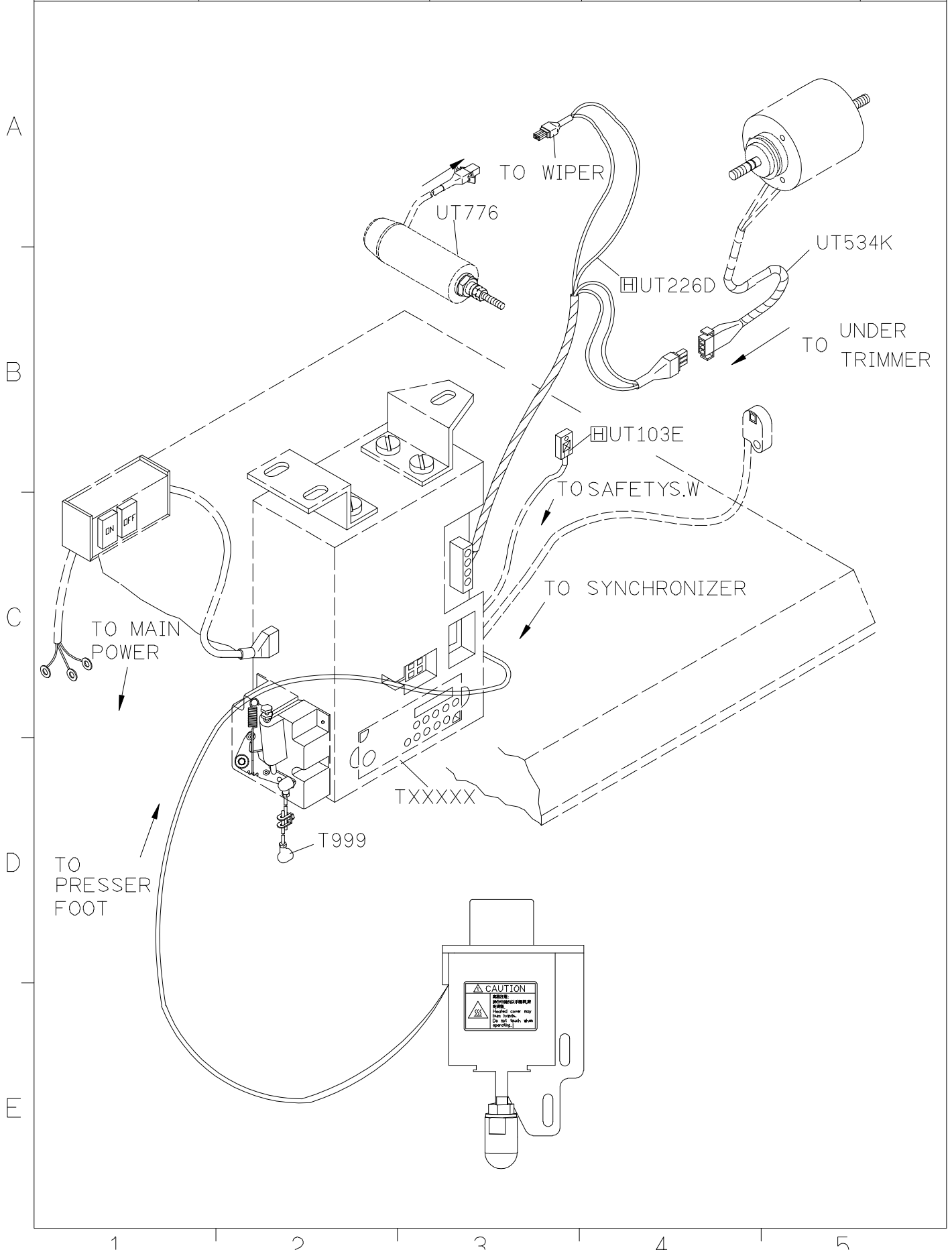




SIRUBA PARTS LIST	Series	Parts Group	Subclass / Remark	Page
	S007K/S007KD	UTX(UTY)-K	For S007KD ☐ : Use for H brand motor	8/12 Date 2015/01/05

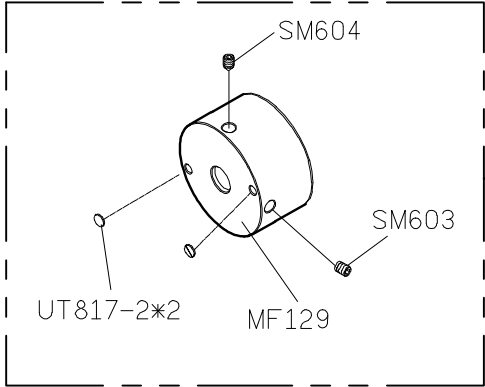


SIRUBA PARTS LIST	Series	Parts Group	Subclass / Remark	Page
	S007K/S007KD	UTX(UTY)-K	For S007KD ☐ : Use for H brand motor	9/12 Date 2015/01/05



<b>SIRUBA</b> PARTS LIST	<b>S007K/S007KD</b>	Parts Group	Subclass / Remark	Page
		UTX(UTY)-K	For S007K	10/12
			<input type="checkbox"/> : Use for H brand motor	Date
				2012/10/31

A  
B  
C  
D  
E



UT818J-A

UT815

SM4054

UT816

TO SYNCHRONIZER

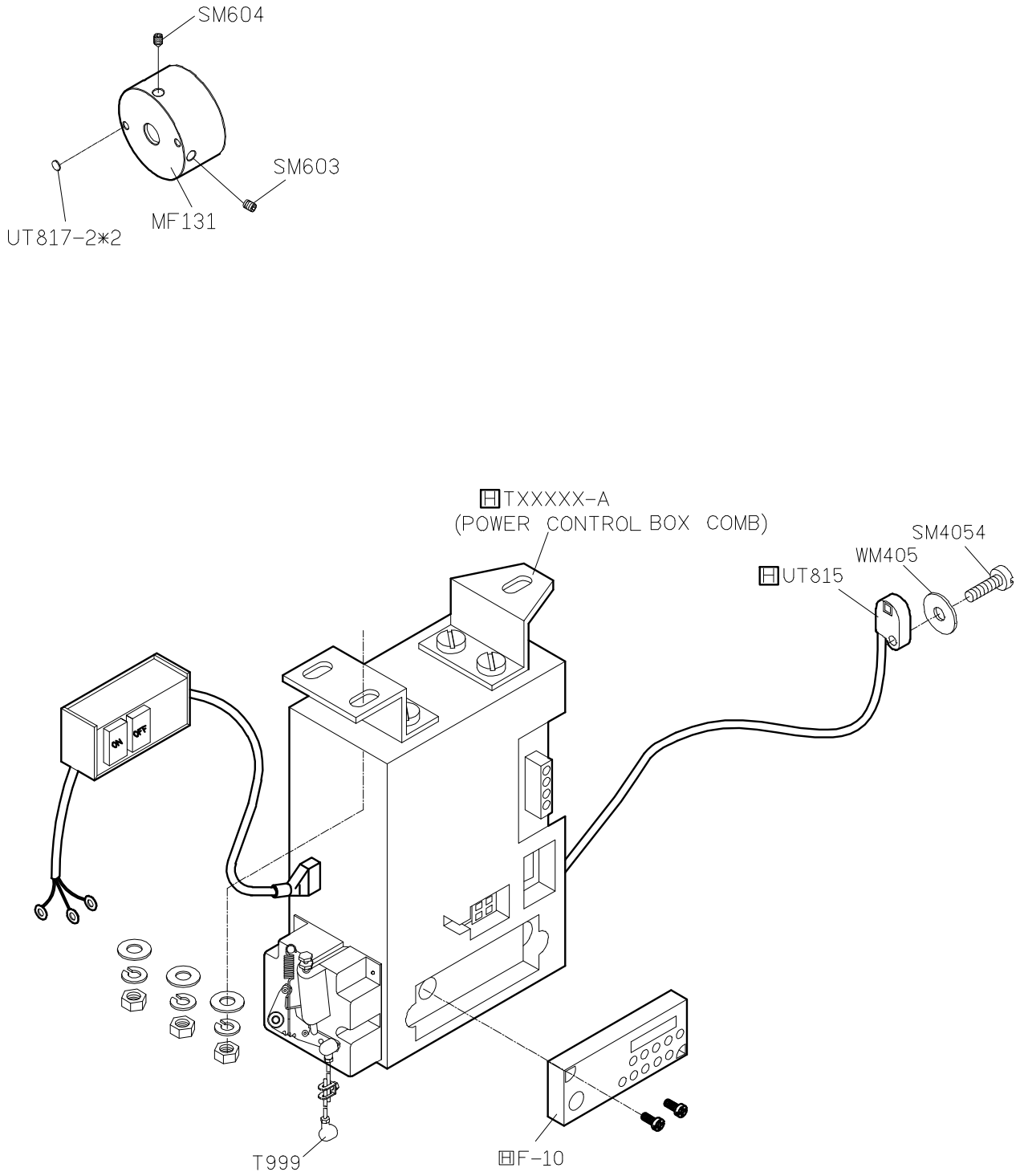
TO MAIN POWER

TXXXXX

T999

<b>SIRUBA</b> PARTS LIST	<b>S007K/S007KD</b>	Parts Group <b>UTX(UTY)-K</b>	Subclass / Remark For S007KD ☐ : Use for H brand motor (HVP-20)	Page 11/12 Date 2012/10/31
-----------------------------	---------------------	----------------------------------	--	-------------------------------------

A  
B  
C  
D  
E



SIRUBA PARTS LIST	Series	Parts Group	Subclass / Remark	Page
	S007K/S007KD	UTX(UTY)-K	For S007KD	12/12
			☐ : Use for H brand motor (HVP-70)	Date
				2012/10/31

A  
B  
C  
D  
E

