

SIRUBA®

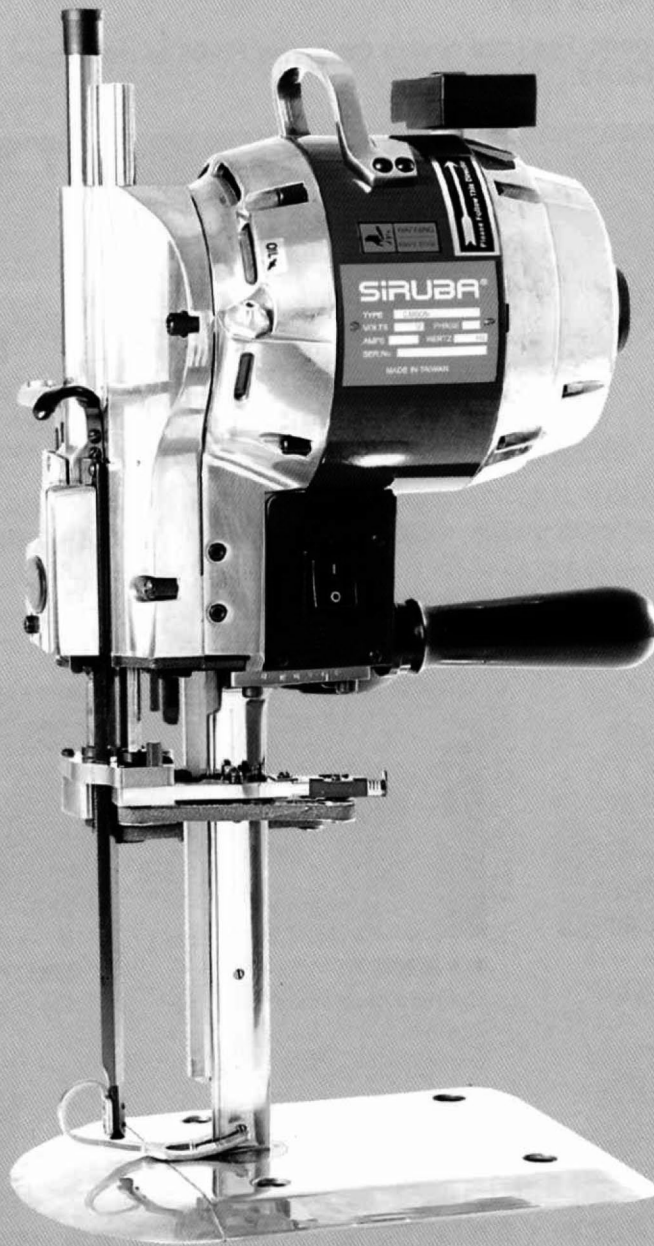
銀箭牌工業用裁剪機

INDUSTRIAL CUTTING MACHINE

CM006

使用說明與零件圖

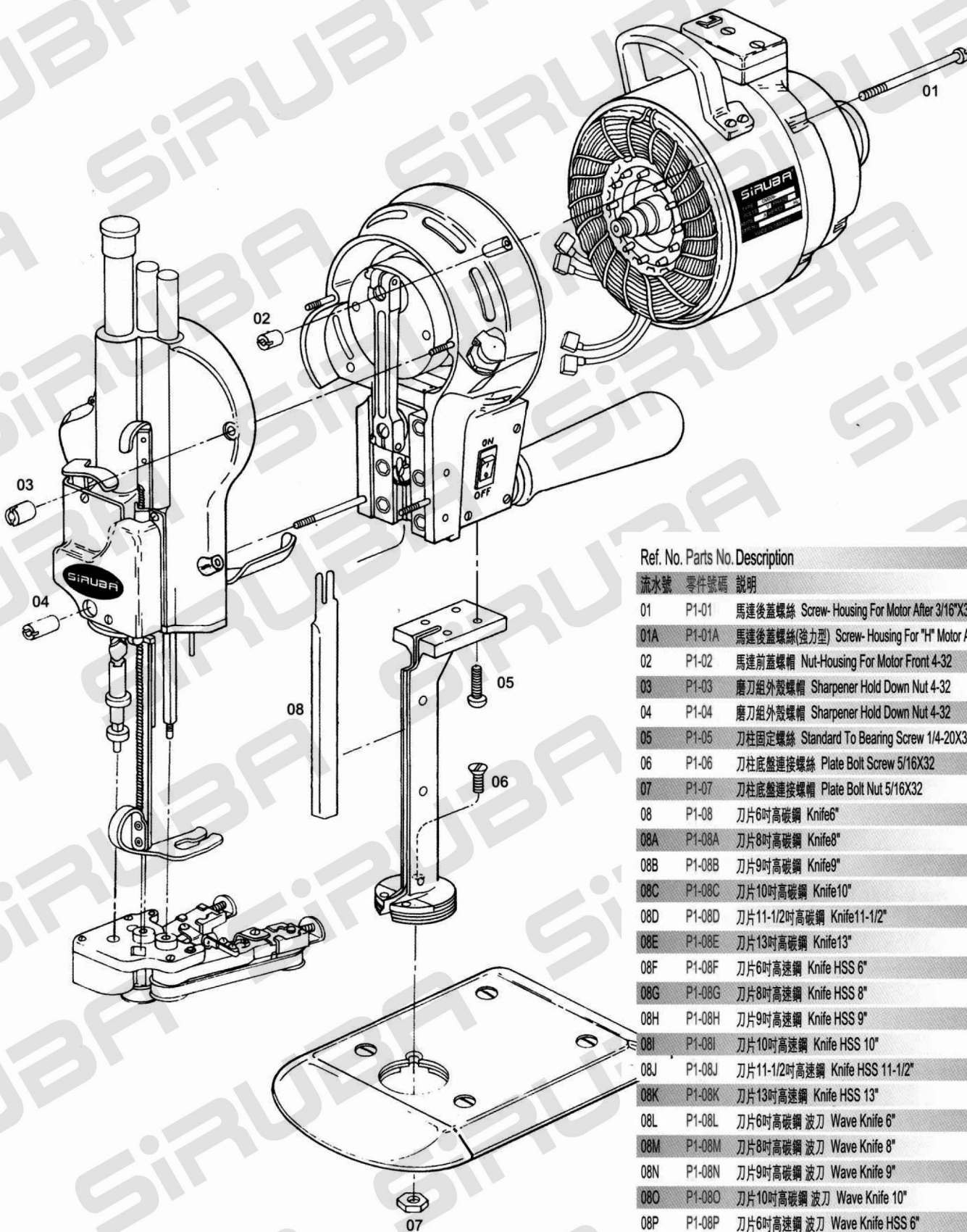
INSTRUCTION AND PARTS LIST



CE



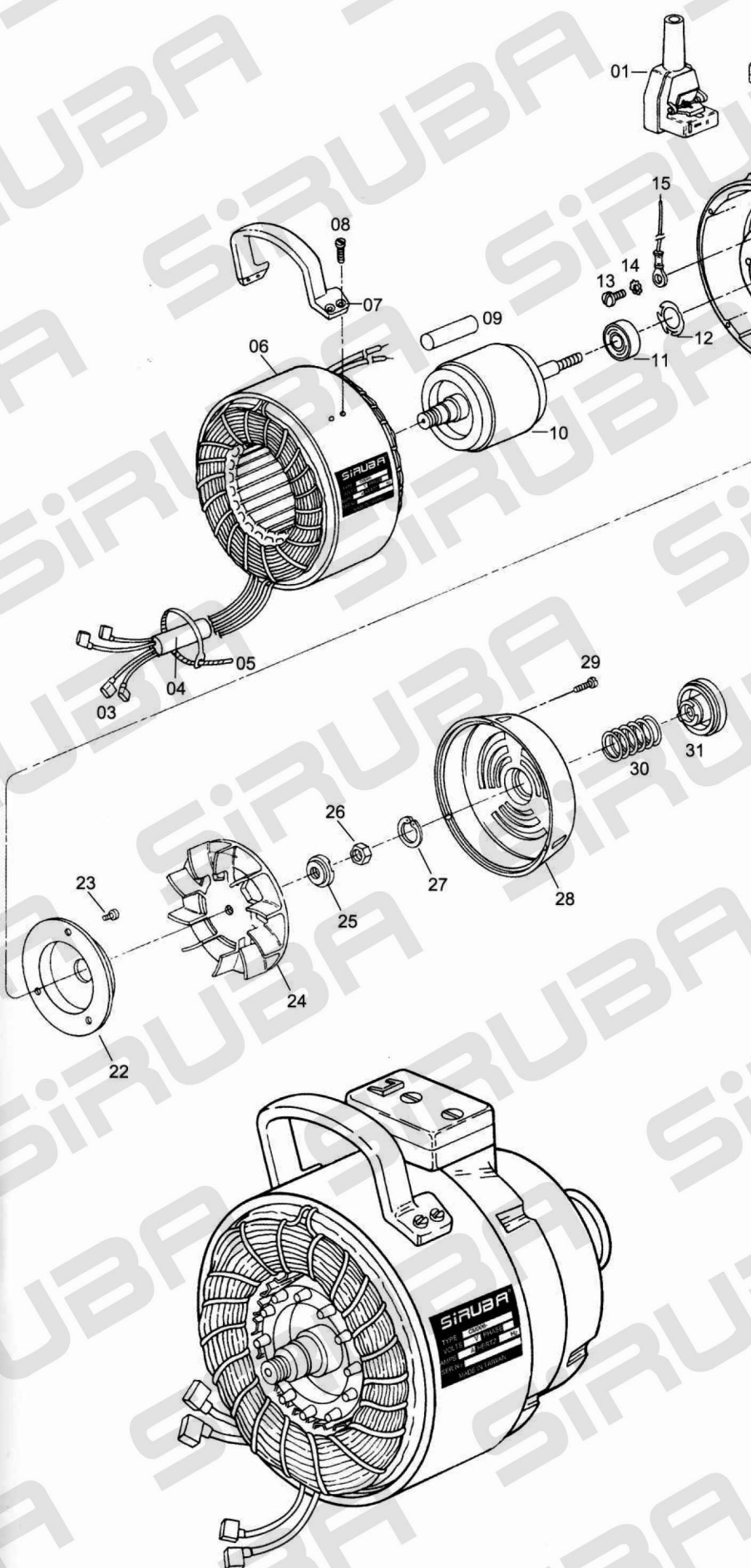
高林股份有限公司
KAULIN MFG. CO., LTD.



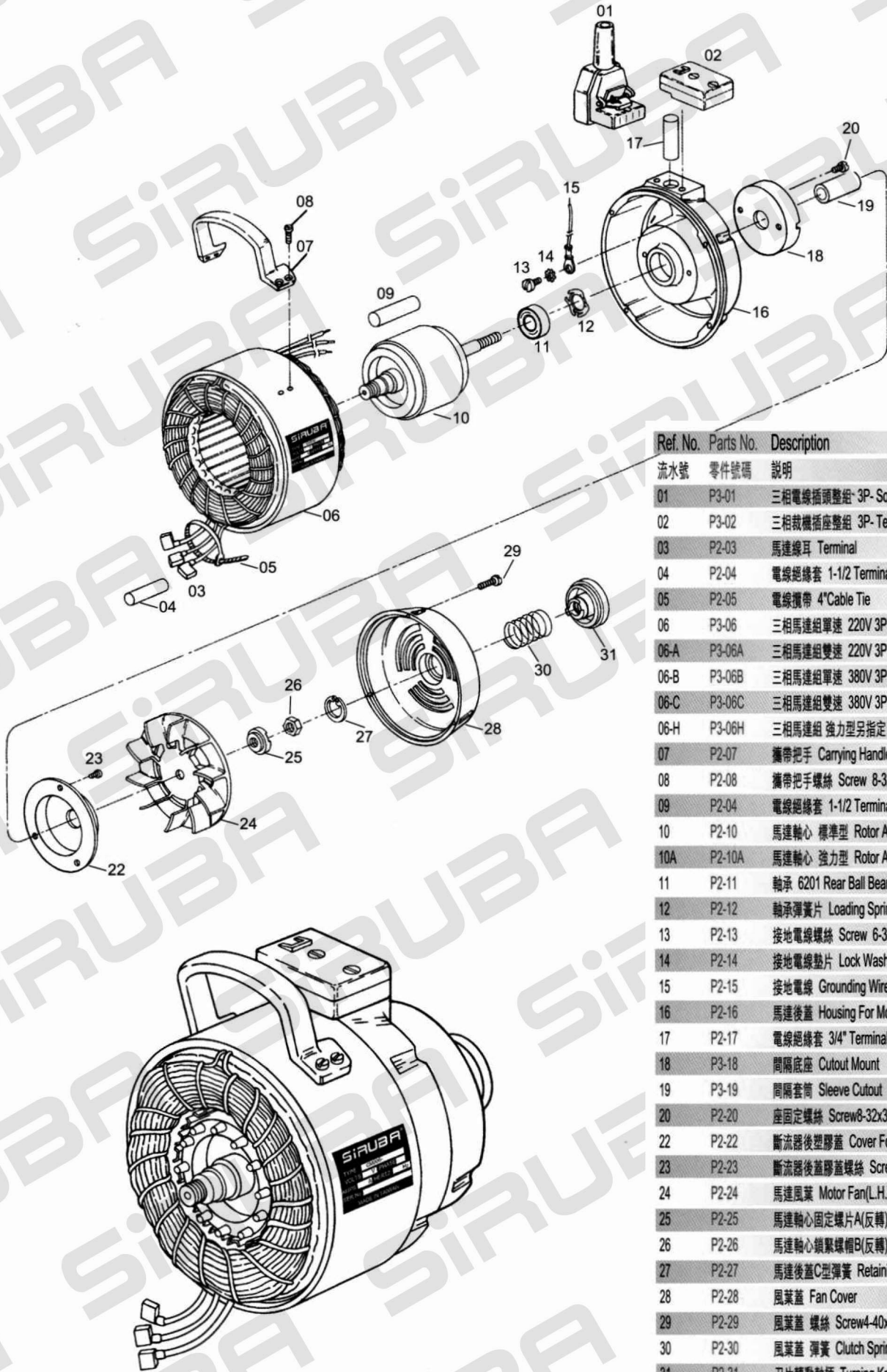
Ref. No. Parts No. Description

流水號	零件號碼	說明	備註
01	P1-01	馬達後蓋螺絲 Screw- Housing For Motor After 3/16"X32	4
01A	P1-01A	馬達後蓋螺絲(強力型) Screw- Housing For "H" Motor After 3/16"X32	4
02	P1-02	馬達前蓋螺帽 Nut-Housing For Motor Front 4-32	4
03	P1-03	磨刀組外殼螺帽 Sharpener Hold Down Nut 4-32	3
04	P1-04	磨刀組外殼螺帽 Sharpener Hold Down Nut 4-32	1
05	P1-05	刀柱固定螺絲 Standard To Bearing Screw 1/4-20X3/4	4
06	P1-06	刀柱底座連接螺絲 Plate Bolt Screw 5/16X32	1
07	P1-07	刀柱底座連接螺帽 Plate Bolt Nut 5/16X32	1
08	P1-08	刀片6吋高碳鋼 Knife6"	
08A	P1-08A	刀片8吋高碳鋼 Knife8"	
08B	P1-08B	刀片9吋高碳鋼 Knife9"	
08C	P1-08C	刀片10吋高碳鋼 Knife10"	
08D	P1-08D	刀片11-1/2吋高碳鋼 Knife11-1/2"	
08E	P1-08E	刀片13吋高碳鋼 Knife13"	
08F	P1-08F	刀片6吋高速鋼 Knife HSS 6"	
08G	P1-08G	刀片8吋高速鋼 Knife HSS 8"	
08H	P1-08H	刀片9吋高速鋼 Knife HSS 9"	
08I	P1-08I	刀片10吋高速鋼 Knife HSS 10"	
08J	P1-08J	刀片11-1/2吋高速鋼 Knife HSS 11-1/2"	
08K	P1-08K	刀片13吋高速鋼 Knife HSS 13"	
08L	P1-08L	刀片6吋高碳鋼 波刀 Wave Knife 6"	
08M	P1-08M	刀片8吋高碳鋼 波刀 Wave Knife 8"	
08N	P1-08N	刀片9吋高碳鋼 波刀 Wave Knife 9"	
08O	P1-08O	刀片10吋高碳鋼 波刀 Wave Knife 10"	
08P	P1-08P	刀片6吋高速鋼 波刀 Wave Knife HSS 6"	
08Q	P1-08Q	刀片8吋高速鋼 波刀 Wave Knife HSS 8"	
08R	P1-08R	刀片9吋高速鋼 波刀 Wave Knife HSS 9"	
08S	P1-08S	刀片10吋高速鋼 波刀 Wave Knife HSS 10"	

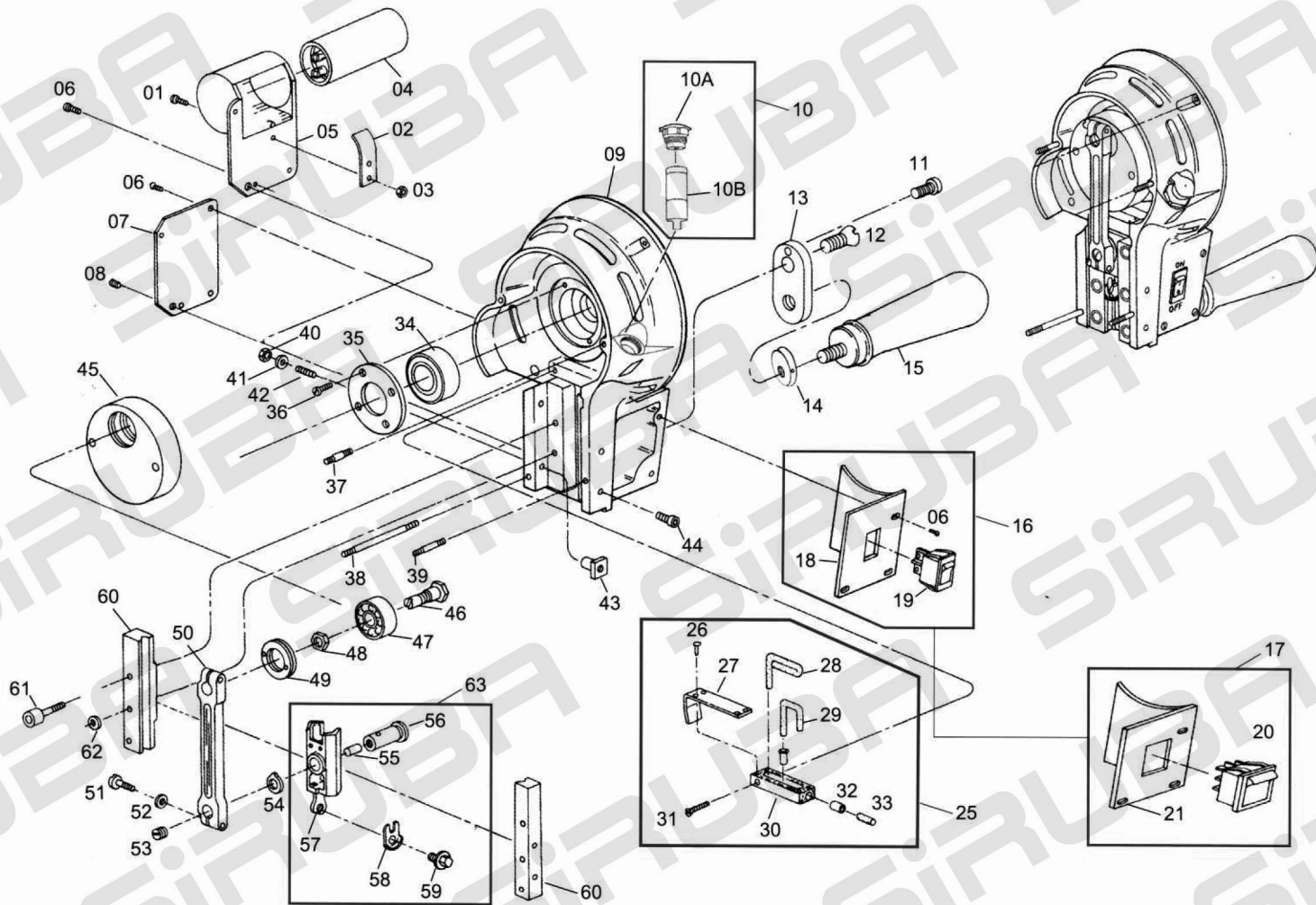
單相馬達
MOTOR
ASSEMBLIES SINGLE PHASE



Ref. No.	Parts No.	Description	備註
流水號	零件號碼	說明	
01	P2-01	單相電線插頭整組 1P-socket Complete	1
02	P2-02	單相機插座整組 1P-Terminal Block Complete	1
03	P2-03	馬達線耳 Terminal	4
04	P2-04	電線絕緣套 1-1/2" Terminal Wire Tubing	1
05	P2-05	電線攜帶 4" Cable Tie	1
06	P2-06	單相馬達組單速 1P-110V Stator With Band	1
06-A	P2-06A	單相馬達組雙速 1P-110V DS Stator With Band	1
06-B	P2-06B	單相馬達組單速 1P-220V1P Stator With Band	1
06-C	P2-06C	單相馬達組雙速 1P-220V1P DS Stator With Band	1
06-H	P2-06H	單相馬達組強力型另指定 1P-Stator With Band(H)	1
07	P2-07	攜帶把手 Carrying Handle	1
08	P2-08	攜帶把手螺絲 Screw 8-32x1/2	4
09	P2-04	電線絕緣套 1-1/2" Terminal Wire Tubing	1
10	P2-10	馬達軸心 標準型 Rotor And Shaft	1
10A	P2-10A	馬達軸心 強力型 Rotor And Shaft (H)	1
11	P2-11	軸承 6201 Rear Ball Bearing	1
12	P2-12	軸承彈簧片 Ball Bearing -Loading Spring Washer	1
13	P2-13	接地電線螺絲 Screw 6-32x1/4	1
14	P2-14	接地電線墊片 Lock Washer	1
15	P2-15	接地電線 Grounding Wire	1
16	P2-16	馬達後蓋 Housing For Motor After	1
17	P2-17	電線絕緣套 3/4 Terminal Wire Tubing	1
18	P2-18	墊片 Automatic Switch	1
19	P2-19	啟動白金組單速 Automatic Cutout Switch	1
19A	P2-19A	啟動白金組雙速 Automatic Cutout Switch (DS)	1
20	P2-20	啟動白金座固定螺絲 Screw 8-32x3/8	2
21	P2-21	自動斷流器 50HZ Automatic Cutout	1
21A	P2-21A	自動斷流器 60HZ Automatic Cutout	1
22	P2-22	斷流器後蓋膠蓋 Cover For Cutout	1
23	P2-23	斷流器後蓋膠蓋螺絲 Screw 4-40x1/4	3
24	P2-24	馬達風葉 Motor Fan (L.H.)	1
25	P2-25	馬達軸心固定螺片A(反轉) Clutch Nut	1
26	P2-26	馬達軸心鎖緊螺帽B(反轉) Shaft Lock Nut	1
27	P2-27	馬達後蓋C型彈簧 Retaining Ring	1
28	P2-28	風葉蓋 Fan Cover	1
29	P2-29	風葉蓋 螺絲 Screw 4-40x1/2	3
30	P2-30	風葉蓋 彈簧 Clutch Spring	1
31	P2-31	刀片轉動轉柄 Turning Knob	1



Ref. No.	Parts No.	Description	備註
流水號	零件號碼	說明	
01	P3-01	三相電線插頭整組-3P- Socket Complete	1
02	P3-02	三相截機插座整組 3P- Terminal Block Complete	1
03	P2-03	馬達線耳 Terminal	4
04	P2-04	電線絕緣套 1-1/2 Terminal Wire Tubing	1
05	P2-05	電線纜帶 4"Cable Tie	1
06	P3-06	三相馬達組單速 220V 3P -Stator With Band	1
06-A	P3-06A	三相馬達組雙速 220V 3P DS-Stator With Band	1
06-B	P3-06B	三相馬達組單速 380V 3P -Stator With Band	1
06-C	P3-06C	三相馬達組雙速 380V 3P DS -Stator With Band	1
06-H	P3-06H	三相馬達組 強力型另指定 3P-Stator With Band(H)	1
07	P2-07	攜帶把手 Carrying Handle	1
08	P2-08	攜帶把手螺絲 Screw 8-32x1/2	4
09	P2-04	電線絕緣套 1-1/2 Terminal Wire Tubing	1
10	P2-10	馬達軸心 標準型 Rotor And Shaft	1
10A	P2-10A	馬達軸心 強力型 Rotor And Shaft (H)	1
11	P2-11	軸承 6201 Rear Ball Bearing	1
12	P2-12	軸承彈簧片 Loading Spring Washer	1
13	P2-13	接地電線螺絲 Screw 6-32x1/4	1
14	P2-14	接地電線墊片 Lock Washer	1
15	P2-15	接地電線 Grounding Wire	1
16	P2-16	馬達後蓋 Housing For Motor After	1
17	P2-17	電線絕緣套 3/4" Terminal Wire Tubing	1
18	P3-18	間隔底座 Cutout Mount	1
19	P3-19	間隔套筒 Sleeve Cutout	1
20	P2-20	座固定螺絲 Screw6-32x3/8	2
22	P2-22	斷流器後塑膠蓋 Cover For Cutout	1
23	P2-23	斷流器後蓋膠蓋螺絲 Screw4-40x1/4	3
24	P2-24	馬達風葉 Motor Fan(L.H.)	1
25	P2-25	馬達軸心固定螺片A(反轉) Clutch Nut	1
26	P2-26	馬達軸心鎖緊螺帽B(反轉) Shaft Lock Nut	1
27	P2-27	馬達後蓋C型彈簧 Retaining Ring	1
28	P2-28	風葉蓋 Fan Cover	1
29	P2-29	風葉蓋 螺絲 Screw4-40x1/2	3
30	P2-30	風葉蓋 彈簧 Clutch Spring	1
31	P2-31	刀片轉動軸柄 Turning Knob	1



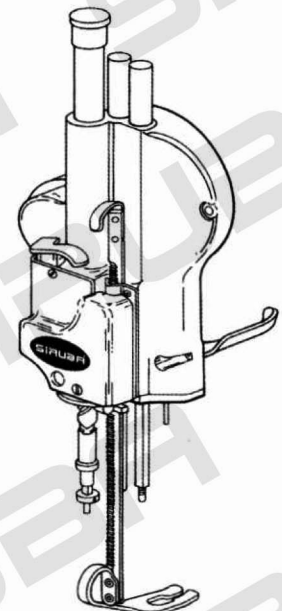
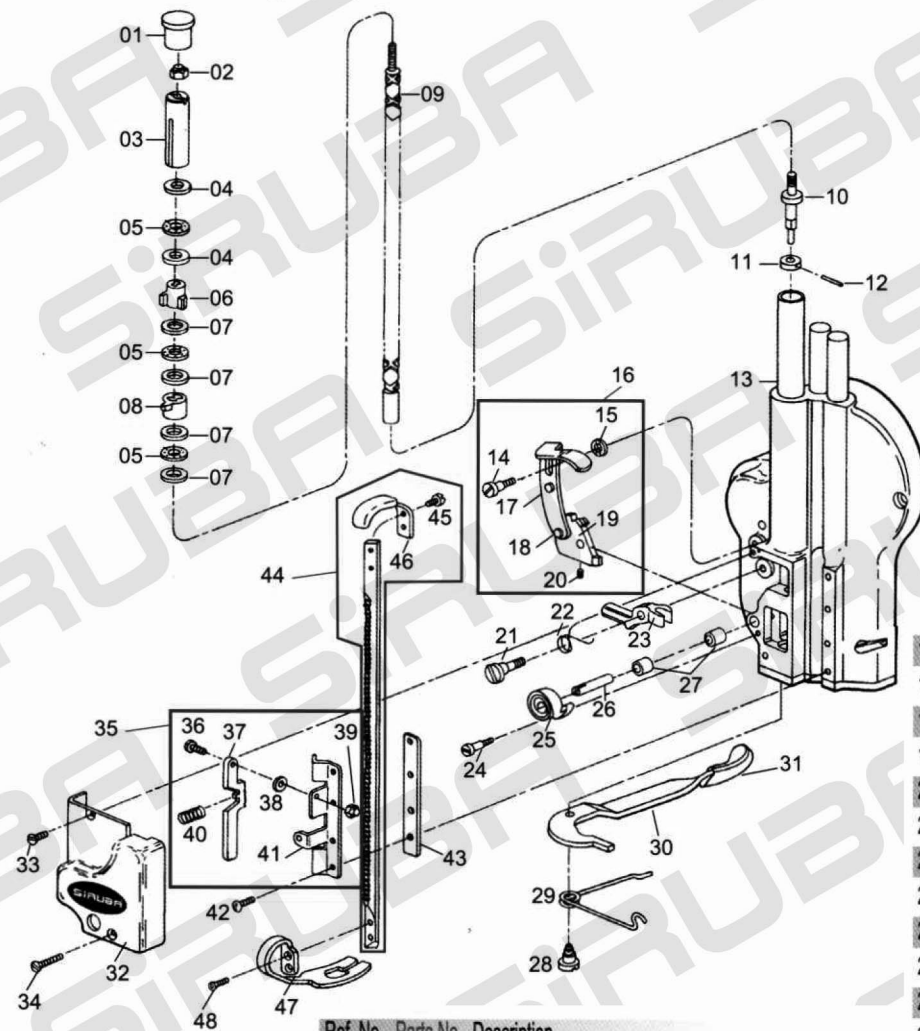
Ref. No	Parts No.	Description	備註
流水號	零件號碼	說明	
01	P4-01	螺絲 Screw 8-32x3/8	3
02	P4-02	電容器固定片 Spring For Capacitor	1
03	P4-03	電容器固定螺帽 Stop Nut 8-32	1
04	P4-04	電容器單速 110V Capacitor	1
04	P4-04A	電容器強力型 110V H- Capacitor	1
04	P4-04B	電容器單速 220V Capacitor	1
04	P4-04C	電容器強力型 220V H- Capacitor	1
05	P4-05	電容器蓋 Capacitor Cover	1
06	P2-23	螺絲 Screw 4-40x1/4	7
07	P4-07	開關蓋 Switch Cover	1
08	P4-08	開關蓋螺絲 Screw For Switch Cover 1/4x32	1
09	P4-09	馬達前蓋 Housing For Motor Front	1
10	P4-10	油杯整組 Oil Pan Device	1
10A	P4-10A	油杯蓋 Oil Pan Cover	1
10B	P4-10B	油杯 Oil Pan	1
11	P4-11	把手內六角螺絲 Screw For Handle Bracket 1/4x20x3/4	1
12	P4-12	把手托架螺絲 Screw For Handle Bracket 3/8x24x1/2	1
13	P4-13	把手連接托架 Handle Bracket	1
14	P4-14	把手固定螺帽 Nut For Handle Bracket	1
15	P4-15	把手 Handle	1
16	P4-16	單相開關整組單速 Switch-1p(Complete)	1
16A	P4-16A	三相開關整組單速 Switch3p(Complete)	1

17	P4-17	單相開關整組雙速 Switch-1p-DS(Complete)	1
18	P4-18	單相開關塑膠蓋單速 Switch Plate	1
19	P4-19	單相開關單速 Switch-1p-DS	1
19A	P4-19A	三相開關單速 Switch-3p	1
20	P4-20	單相開關雙速 Switch-1p-DS	1
21	P4-21	單相開關塑膠蓋雙速 Switch Plate-DS	1
22	P4-22	LED 專用蓋	
23	P2-23	LED 燈	
24	P4-24	LED 電線	
25	P4-25	油槽整組 Oiling Device	1
26	P4-26	油槽螺絲 #2-56x1/8 Screw	4
27	P4-27	油槽蓋 Oiler Tube Cover	1
28	P4-28	油繩 1/8"x2" Oil Felt Wicking	1
29	P4-29	油繩 1/8"x1" Oil Felt Wicking	1
30	P4-30	油管 Oil Tube	1
31	P4-31	螺絲 4-40x3/4 Screw	1
32	P4-32	油管栓 Oil Tube Clear	1
33	P4-33	油繩 1/8"x.44 Oil Felt Wicking	1
34	P4-34	軸承 Ball Bearing 6203	1
35	P4-35	軸承蓋 Ball Bearing Retainer	1
36	P4-36	螺絲 6-32X5/16" Screw	4
37	P4-37	上螺絲帽 Stud Upper	2
38	P4-38	下左螺絲帽 Stud Lower L.H.	1
39	P4-39	下右螺絲帽 Stud Lower R.H.	1

40	P4-40	滑塊螺帽 Nut For Guide Screw 10-32	3
41	P4-41	滑塊調整墊片 Washer	3
42	P4-42	滑塊調整螺絲 Guide Adjustment Screw 10-32x3/4	3
43	P4-43	滑塊調整螺帽 Guide Adjustment Nut 10-32	3
44	P4-44	螺絲 8-32x3/8 Screw Socket Head	3
45	P4-45	飛輪 Crank 1-1/2 Stroke	1
46	P4-46	軸承心 Shaft For Ball Bearing	1
47	P2-11	軸承 Ball Bearing 6201	1
48	P4-48	軸承心螺帽 Lock Nut For Shaft	1
49	P4-49	軸承蓋 Crank Ball Bearing Lock Nut	1
50	P4-50	連桿 Connecting Rod 1-1/2 Stroke	1
51	P4-51	連桿螺絲 Connecting Rod Screw 8-32x11/16	2
52	P4-52	防震墊圈 Shake Proof Washer	2
53	P4-53	刀台心油棉栓 Wrist Pin Plug 1/4-28	1
54	P4-54	連桿墊片 Connecting Rod Washer	1
55	P4-55	刀台心油棉 Wrist Pin Felt Pad	1
56	P4-56	刀台心 Wrist Pin	1
57	P4-57	刀台十字頭 Cross Head	1
58	P4-58	鎖刀螺絲墊片 Knife Look Washer	1
59	P4-59	鎖刀螺絲 Knife Look Bolt	1
60	P4-60	滑塊 Guides 1-1/2 Stroke L.H.&R.H.	1
61	P4-61	滑塊固定螺絲 Guide Hold Down Screw 10-24	6
62	P4-62	滑塊固定墊片 Guide Washer	6
63	P4-63	刀台整組 Cross Head Device	

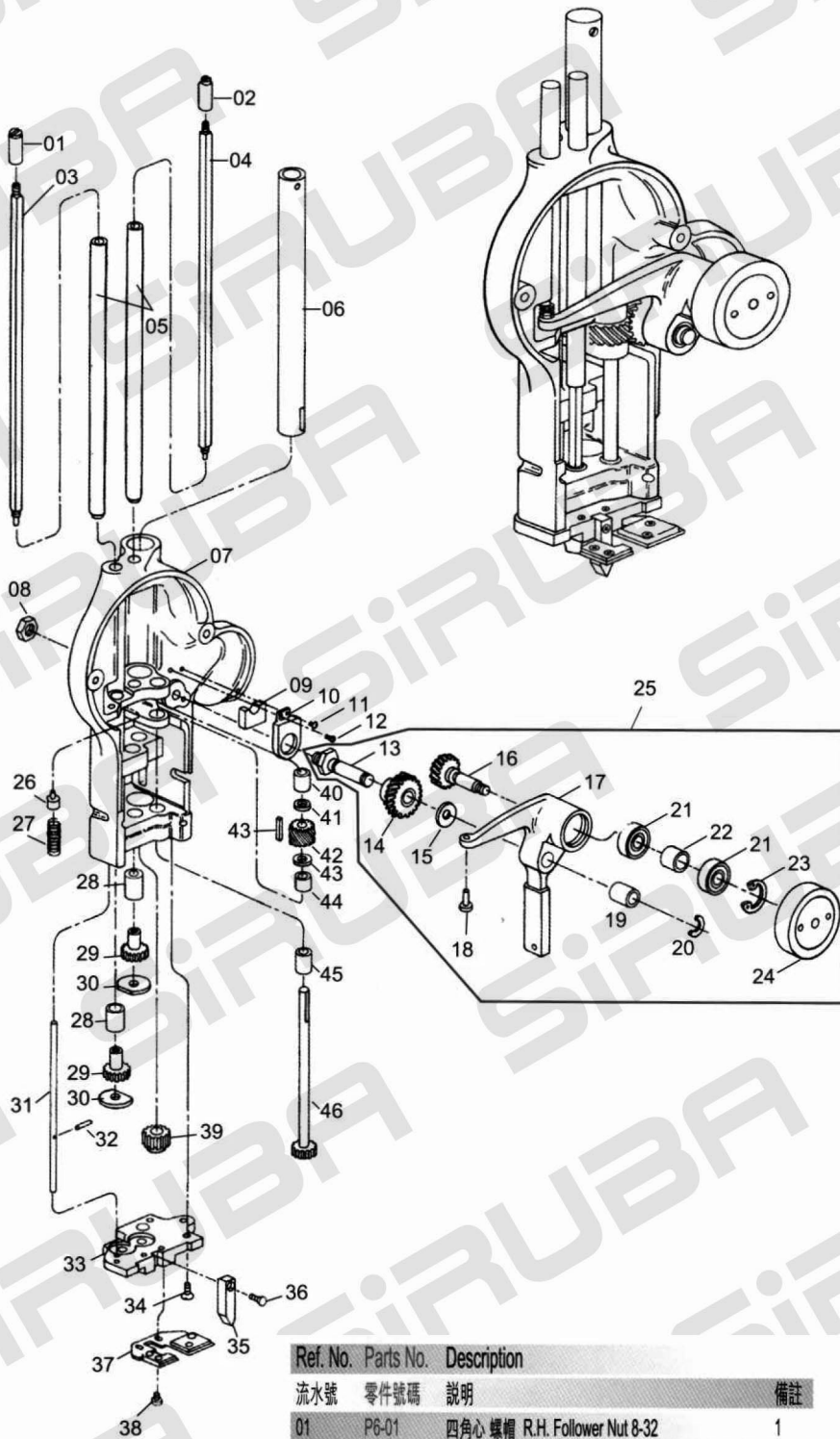
磨刀組外殼及零件(前面看)

SHARPENER HOUSING & PARTS (FRONT VIEW)



Ref. No.	Parts No.	Description	備註
流水號	零件號碼	說明	
01	P5-01	大管螺帽 Cap For Tube	1
02	P5-02	鳳梨心止動螺絲 Nut Elastic 10-32	1
03	P5-03	調整螺絲 (8,10,11 1/2, 13) 1-1/4" Adjustment Screw	1
03A	P5-03A	調整螺絲 (7,9") 2-1/4" Adjustment Screw	1
03B	P5-03B	調整螺絲 (6") 3-1/4" Adjustment Screw	1
04	P5-04	鳳梨心墊片(薄) Thrust Washer Upper Nut	2
05	P5-05	鳳梨心軸承墊片 Washer Ball Bearing	3
06	P5-06	鳳梨心反轉螺絲 L.H. Nut For Screw Shaft	1
07	P5-07	鳳梨心墊片(厚) Washer Flat	4
08	P5-08	鳳梨心正轉螺絲 R.H. Nut For Screw Shaft	1
09	P5-09	鳳梨心8吋以下 Screw Shaft With Extension 6"-8"	1
09A	P5-09A	鳳梨心9,10吋 Screw Shaft With Extension 9"-10"	1
09B	P5-09B	鳳梨心11 1/2吋 Screw Shaft With Extension 11-1/2"	1
09C	P5-09C	鳳梨心13吋 Screw Shaft With Extension 13"	1
10	P5-10	鳳梨心延長螺絲(反轉) Extension For Screw Shaft	1
11	P5-11	鳳梨心延長螺絲 套筒 Collar Lower	1
12	P5-12	鳳梨心延長螺絲 插銷 Roll Pin For Collar	1
13A	P5-13A	磨刀組外殼 Sharpener Housing With Bushing 6"-8"	1
13B	P5-13B	磨刀組外殼 Sharpener Housing With Bushing 9"-10"	1
13C	P5-13C	磨刀組外殼 Sharpener Housing With Bushing 11-1/2"	1
13	P5-13	磨刀組外殼 Sharpener Housing With Bushing 13"	1
14	P5-14	按磨刀座螺絲 Screw For Release Lever 8-32	1
15	P5-15	按磨刀座墊片 Spring Washer For Release Lever	1

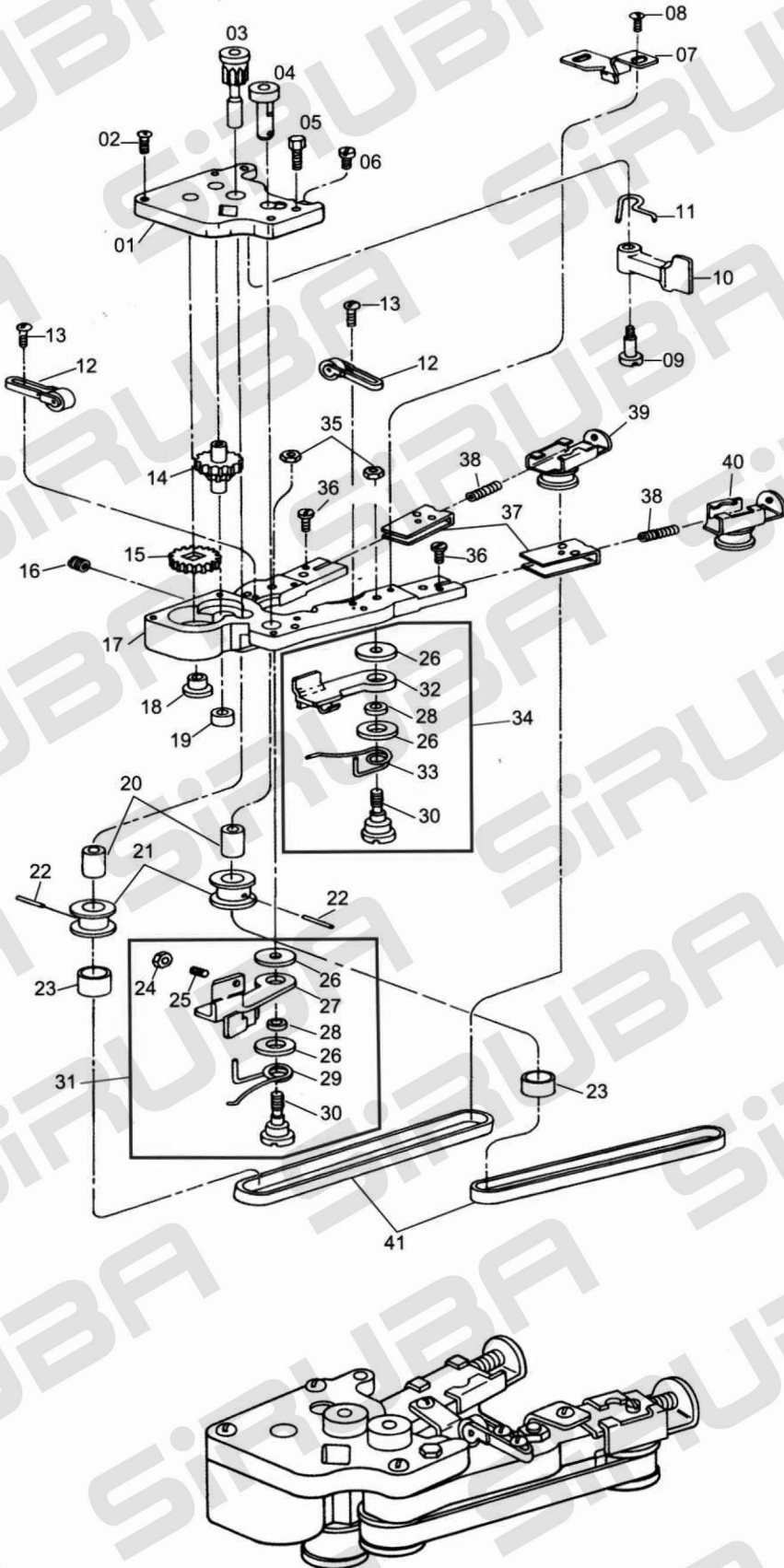
16	P5-16	按磨刀座整組 Release Lever With Cam Complete	1
17	P5-17	按磨刀座上方 Release Lever(Supra)	1
18	P5-18	按磨刀座插銷 Pin For Release Lever	1
19	P5-19	按磨刀座下方 Release Lever(Under)	1
20	P5-20	按磨刀座六角螺絲 Screw For Cam 10-32x3/8	1
21	P5-21	凸輪鎖螺絲 Screw For Latch 10-24	1
22	P5-22	凸輪鎖彈簧 Spring For Latch	1
23	P5-23	凸輪鎖 Latch For Cam	1
24	P5-24	時鐘彈簧 螺絲 Cam Shaft Spring Washer 6-32	1
25	P5-25	時鐘彈簧 Tension Spring	1
26	P5-26	時鐘彈簧 插銷 Shaft For Cam	1
27	P5-27	油封套筒 Bearing For Cam Shaft 5/16x3/16x6mm	2
28	P5-28	提押腳把手螺絲 Pressure Foot Lever Screw 8-32	1
29	P5-29	提押腳把手彈簧 Spring For Pressure Foot Lever	1
30	P5-30	提押腳把手 Pressure Foot Lever	1
31	P5-31	提押腳把手塑膠套 Vinyl Cover For Handle	1
32	P5-32	小前蓋 Cover For Cam	1
33	P5-33	小前蓋 左上螺絲 Screw # 6-32 x 5/16	1
34	P5-34	小前蓋 右下螺絲 Screw # 6-32 x 3/4	1
35	P5-35	押腳柱卡筒整組 Pressure Foot Lock Bracket Complete	1
36	P5-36	押腳柱卡筒 螺絲 Screw For Knife Guard Lock 6-32x1/2	1
37	P5-37	押腳柱卡筒 Lock For Pressure Foot	1
38	P5-38	押腳柱卡筒 墊片 Washer For Lock Bracket	1
39	P5-39	押腳柱卡筒 螺帽 Nut Self Lock 6-32	1
40	P5-40	押腳柱卡筒 彈簧 Spring For Pressure Foot Lock	1
41	P5-41	押腳柱卡筒座 Pressure Foot Lock Bracket Complete	1
42	P4-24	押腳柱卡筒座 螺絲 Screw # 6-32 x 3/8	4
43	P5-43	押腳柱 後墊片 Spacer For Knife Guard Lock Bracket	1
44	P5-44	押腳柱6-8吋 Pressure Foot Rod 6"-8" Knif	1
44A	P5-44A	押腳柱9-10吋 Pressure Foot Rod 9"-10" Knife	1
44B	P5-44B	押腳柱11-1/2吋 Pressure Foot Rod 11-1/2" Knife	1
44C	P5-44C	押腳柱13吋 Pressure Foot Rod 13" Knife	1
45	P5-45	押腳耳 螺絲 Screw # 6-32 x 1/16	2
46	P5-46	押腳耳 Lift Handle For Knife Guard Lock	1
47	P5-47	押腳 Pressure Foot Shoe All Strokes	1
48	P5-48	押腳螺絲 Screw For Pressure Foot Shoe 6-32x1/4	2



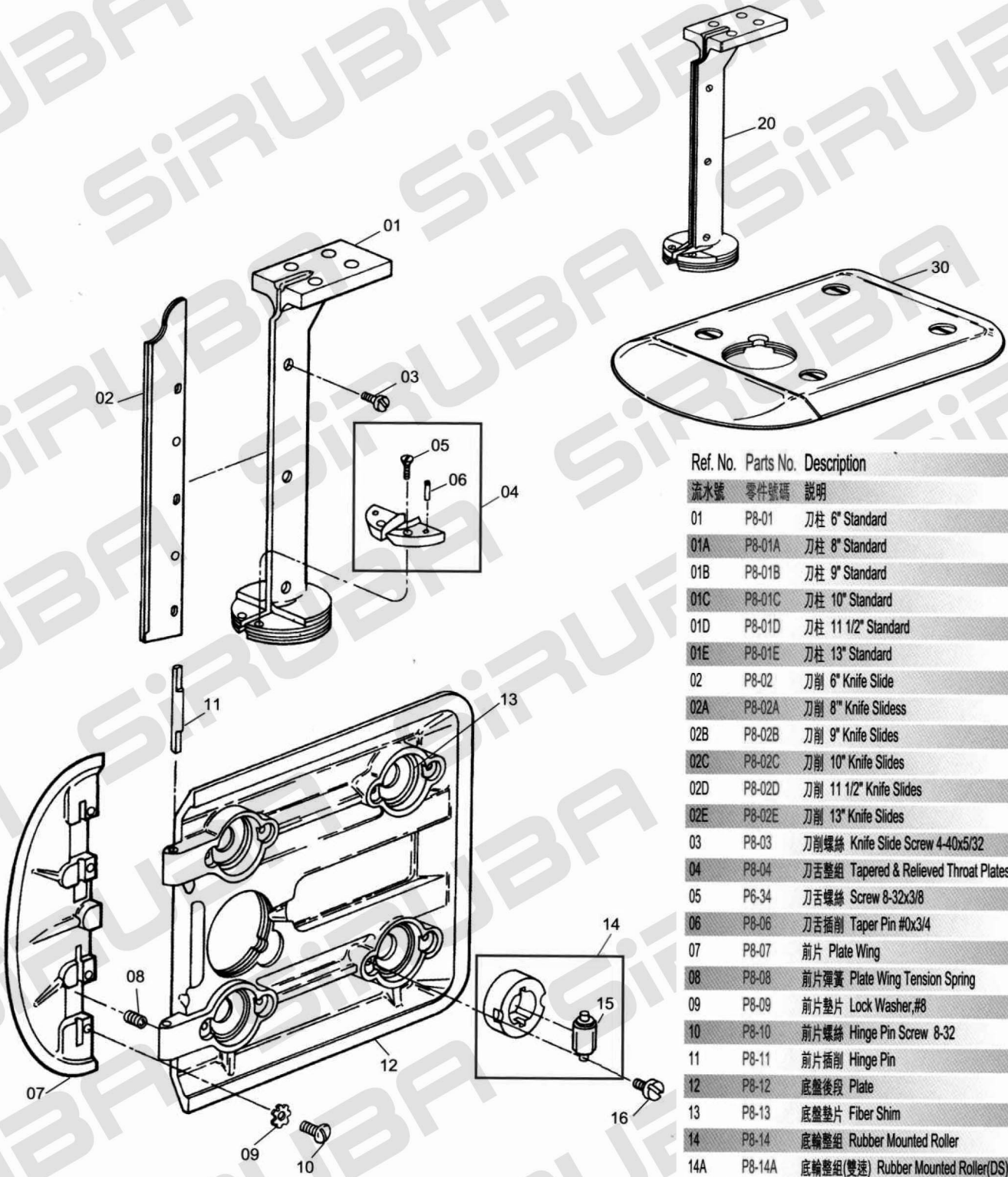
Ref. No.	Parts No.	Description	備註
流水號	零件號碼	說明	
01	P6-01	四角心 螺帽 R.H. Follower Nut 8-32	1
02	P6-02	四角心 螺帽 (反牙) L.H. Follower Nut 8-32	1
03	P6-03	四角心(上方正轉) 6"-8" Knife R.H. Square Shaft	1
03A	P6-03A	四角心(上方正轉) 9"-10" Knife R.H. Square Shaft	1
03B	P6-03B	四角心(上方正轉) 11 1/2" Knife R.H. Square Shaft	1
03C	P6-03C	四角心(上方正轉) 13" Knife R.H. Square Shaft	1
04	P6-04	四角心(上方反轉) 6"-8" Knife L.H. Square Shaft	1
04A	P6-04A	四角心(上方反轉) 9"-10" Knife L.H. Square Shaft	1
04B	P6-04B	四角心(上方反轉) 11 1/2" Knife L.H. Square Shaft	1
04C	P6-04C	四角心(上方反轉) 13" Knife L.H. Square Shaft	1
05	P6-05	小管 6"-8" KnifeTube (S)For Square Shaft	2
05A	P6-05A	小管 9"-10" KnifeTube(S) For Square Shaft	2
05B	P6-05B	小管 11 1/2" KnifeTube (S)For Square Shaft	2

05C	P6-05C	小管 13" KnifeTube For (S)Square Shaft	2
06	P6-06	大管 6"-8" KnifeTube(L) For Square Shaft	1
06A	P6-06A	大管 9"-10" KnifeTube(L) For Square Shaft	1
06B	P6-06B	大管 11 1/2" KnifeTube(L) For Square Shaft	1
06C	P6-06C	大管 13" KnifeTube(L) For Square Shaft	1
07	P6-07	磨刀組外殼(空) Sharpener Housing(Only)	1
08	P1-07	齒輪心螺帽 Lock Nut For Shaft	1
09	P6-09	小油棉 Felt Pad For Cross Head	1
10	P6-10	小油棉蓋 Oil Retainer-Idler Gear	1
11	P6-11	小油棉蓋螺絲 Screw 4-40x1/8	1
12	P6-12	小油棉蓋螺絲 Screw 4-40x3/16	1
13	P6-13	齒輪心 Shaft For Crank	1
14	P6-14	大齒輪 Idler Gear Bushing	1
15	P6-15	齒輪墊片 Thrust Washer	1
16	P6-16	齒輪及軸 Gear And Shaft	1
17	P6-17	磨刀組殼(火腿) Bell Crank Only	1
18	P6-18	磨刀組(火腿) 插銷 Pin For Bell Crank	1
19	P6-19	油封套筒 Bearing For Bell Crank 7/16x5/16x18mm	1
20	P6-20	磨刀組(火腿) 小C型夾 Retaining Ring For Shaft	1
21	P6-21	軸承 Ball Bearing 608 For Crank	2
22	P6-22	油封套筒 Spacer For Ball Bearing 7/16x5/16x11.4mm	1
23	P6-23	磨刀組(火腿)大C型夾 Retaining Ring For Ball Crank	1
24	P6-24	磨刀輪 Slow Speed Driver Assembly	1
25	P6-25	磨刀組(火腿)整組 Bell Crank Complete	1
26	P6-26	磨刀組外殼插銷 Pin For Sharpener Housing	1
27	P6-27	磨刀彈簧 Spring For Ball Crank	1
28	P6-28	油封套筒 Bearing For Gear 7/16x5/16x12mm	2
29	P6-29	凸齒輪 Spur Gear	2
30	P6-30	凸齒輪墊片 Thrust Washer For Bottom Plate	2
31	P6-31	磨刀彈簧柱 Push Rod	1
32	P6-32	磨刀彈簧柱插銷 Roll Pin For Push Rod	1
33	P6-33	磨刀組外殼下方墊片 Bottom Plate, Sharpener Housing	1
34	P6-34	磨刀組外殼下方墊片螺絲 Screw 8-32x3/8	3
35	P6-35	跨鐵分開插銷 Spreader Pin	1
36	P6-36	跨鐵分開插銷螺絲 Screw 6-32x1/2	1
37	P6-37	油棉墊片 Oil Pad & Holder	1
38	P6-38	油棉墊片螺絲 Screw 6-32x3/16	2
39	P6-39	齒輪型套筒 Bearing For Screw Shaft	1
40	P6-40	油封套筒 Bearing For Drive Shaft (Upper) 3/8x1/4x3/8	1
41	P6-41	墊片 Thrust Washer	2
42	P6-42	渦齒齒輪 Spiral Gear	1
43	P6-43	齒輪插銷 Key For Gear	1
44	P6-44	油封套筒 Bearing For Drive Shaft 3/8x1/4x1/4	1
45	P6-45	油封套筒 Bearing For Drive Shaft (Lower) 3/8x1/4x1/2	1
46	P6-46	齒輪及齒輪桿 Drive Shaft With Gear	1

磨刀托架
LOWER
GEAR BRACKET



Ref. No.	Parts No.	Description	備註
流水號	零件號碼	說明	
01	P7-01	磨刀托架上方墊片 Gear Cover	1
02	P7-02	磨刀托架墊片螺絲(左側) Screw 6-32x1/2	3
03	P7-03	四角心下方螺絲 R.H. Shaft Extension	1
04	P7-04	四角心下方螺絲(反轉) L.H. Shaft Extension	1
05	P7-05	磨刀托架上方墊片螺絲(磨刀停車點) Adjusting Screw 10-32	1
06	P7-06	磨刀托架上方墊片螺絲(右側) Screw 6-32x3/8	1
07	P7-07	刀柱後導板 Guide Back Of Standard	1
08	P6-38	刀柱後導板螺絲 Screw 6-32x3/16	2
09	P7-09	提鐵分隔器螺絲 Screw For Clamping Arm 8-32	1
10	P7-10	提鐵分隔器 Clamping Arm For Shoe	1
11	P7-11	提鐵分隔器彈簧 Spring For Arm	1
12	P7-12	刀柱安定器 Stabilizer Assembly	2
13	P7-13	刀柱安定器螺絲 Screw 4-40x5/16	4
14	P7-14	四角心下方齒輪 Intermediate Gear	1
15	P7-15	鳳梨心下方齒輪 Gear On Screw Shaft	1
16	P7-16	黃油孔螺絲 Oil Hole Plug 1/4x32	1
17	P7-17	磨刀托架(含套筒) Lower Gear Bracket(+Bearing)	1
17A	P7-17A	磨刀托架(整組) Lower Gear Bracket(Complete)	1
18	P7-18	凸型套筒 Bearing For Screw Shaft	1
19	P5-27	套筒 Bearing For Intermediate Gear	1
20	P7-20	油封套筒 Bearing For Shaft Extension 3/8x1 1/4x14mm	2
21	P7-21	前輪 Front Puller For Belt	2
22	P7-22	前輪插銷 Roll Pin For Puller P-13-21	2
23	P7-23	前輪橡膠圈 Neoprene Band For Puller	2
24	P7-24	大蹄鐵固定螺帽 Nut 8-32	1
25	P7-25	大蹄鐵調整螺絲 Stop Screw L.H. Shoe 8-32x5/16	1
26	P7-26	蹄鐵墊片 Washer, Shoe	4
27	P7-27	大蹄鐵(L) Sharpener Shoe(Only)	1
28	P7-28	墊片襯套 Bushing For Sharpener Shoe	2
29	P7-29	大蹄鐵彈簧(L) Sharpener Shoe Spring	1
30	P7-30	蹄鐵螺絲 Screw For Sharpener Shoe 10-32	2
31	P7-31	大蹄鐵整組(L) Sharpener Shoe(Complete)	1
32	P7-32	小蹄鐵(S) Sharpener Shoe(Only)	1
33	P7-33	小蹄鐵彈簧(S) Sharpener Shoe Spring	1
34	P7-34	小蹄鐵整組(S) Sharpener Shoe(Complete)	1
35	P7-35	提鐵螺帽 Nut For Sharpener Shoe Screw 10-32	2
36	P7-36	後輪螺絲 Screw 4-36x3/16	2
37	P7-37	後輪墊片 Wear Plate	2
38	P7-38	後輪彈簧 Spring For Puller Slide	2
39	P7-39	左後輪(面向面具) L.H. Slide With Puller	1
40	P7-40	右後輪(面向面具) R.H. Slide With Puller	1
41	P7-41	砂帶(標準) Abrasive Belts (#100)	2
41B	P7-41B	砂帶(細) Abrasive Belts (#120)	2
41C	P7-41C	砂帶(粗) Abrasive Belts (#80)	2



Ref. No.	Parts No.	Description	備註
流水號	零件號碼	說明	
01	P8-01	刀柱 6" Standard	1
01A	P8-01A	刀柱 8" Standard	1
01B	P8-01B	刀柱 9" Standard	1
01C	P8-01C	刀柱 10" Standard	1
01D	P8-01D	刀柱 11 1/2" Standard	1
01E	P8-01E	刀柱 13" Standard	1
02	P8-02	刀削 6" Knife Slide	1
02A	P8-02A	刀削 8" Knife Slidess	1
02B	P8-02B	刀削 9" Knife Slides	1
02C	P8-02C	刀削 10" Knife Slides	1
02D	P8-02D	刀削 11 1/2" Knife Slides	1
02E	P8-02E	刀削 13" Knife Slides	1
03	P8-03	刀削螺絲 Knife Slide Screw 4-40x5/32	3-4
04	P8-04	刀舌整組 Tapered & Relieved Throat Plates Assembly	1
05	P6-34	刀舌螺絲 Screw 8-32x3/8	2
06	P8-06	刀舌插削 Taper Pin #0x3/4	2
07	P8-07	前片 Plate Wing	1
08	P8-08	前片彈簧 Plate Wing Tension Spring	2
09	P8-09	前片墊片 Lock Washer,#8	4
10	P8-10	前片螺絲 Hinge Pin Screw 8-32	4
11	P8-11	前片插削 Hinge Pin	2
12	P8-12	底盤後段 Plate	1
13	P8-13	底盤墊片 Fiber Shim	6
14	P8-14	底輪整組 Rubber Mounted Roller	1
14A	P8-14A	底輪整組(雙速) Rubber Mounted Roller(DS)	1
15	P8-15	底輪軸 Roller Shell	4
16	P8-16	底輪螺絲 Clamp Screw 6-32x5/32	8
20	P8-20	刀柱 6"整組 Standard (Complete)	1
20A	P8-20A	刀柱 8"整組 Standard (Complete)	1
20B	P8-20B	刀柱 9"整組 Standard (Complete)	1
20C	P8-20C	刀柱 10"整組 Standard (Complete)	1
20D	P8-20D	刀柱 11 1/2"整組 Standard (Complete)	1
20E	P8-20E	刀柱 13"整組 Standard (Complete)	1
30	P8-30	底盤整組 Plate (Complete)	1



Ref. No.	Parts No.	Description	備註
流水號	零件號碼	說明	
01	P9-01	砂帶 80#100#120#Abrasive Belts	1盒
02	P9-02	刀削清潔工具 Slot Cleaner	1
03	P9-03	鎖刀片螺絲起子 Knife Bolt Wrench	1
04	P9-04	押腳螺絲六角板手 Wrench For Shoe Screw	1
05	P9-05	機油 Lubricant	1
06	P9-06	黃油(牛油) Bearing Grease	1
07	P9-07	T型板手刀片高低調整工具 T Type Socket Wrench	1
08	P9-08	L型板手蹄鐵調整工具 L Type Socket Wrench	1
09	P9-09	刀柱安定器距離工具 Standard Space Finder	1
10	P9-10	保護蓋 Boot	1