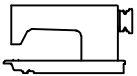




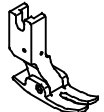





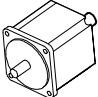


SIRUBA GAGE PARTS LIST	Series	Remark	Page	Date
	DL918	NM1/NH1	1 / 1	2012/11/01

DL918-NM1/NH1規格件表/CONVERSION CHART

											
MODEL	SUB-CLASS	OPERATING PANEL	NEEDLE PLATE	FEED DOG	PRESSER FOOT	HOOK ASM	BOBBIN CASE ASM	BOBBIN	NEEDLE	HAND WHEEL	MOTOR
機 型	規 格	操作盒	針 板	送 具	押 具	梭 頭	梭 殼	梭 子	針 號	手 輪	馬 達
DL918-NM1-10 ~ DL918-NM1-13	中厚布	LU277-A	E706	D704	P708	G121	G202	G303	DBX1#14	LH500-E	T50D8S11
DL918-NH1-10 ~ DL918-NH1-13	厚布		E707	D714	P714	G124	G202	G303	DBX1#22		

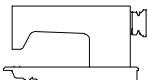
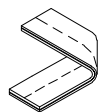

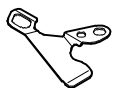

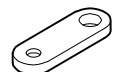
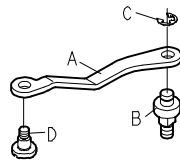
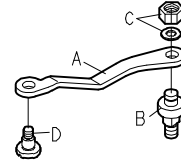
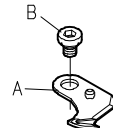
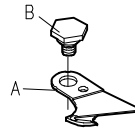
SIRUBA MODEL COMPARE LIST	Series	Remark	Page	Date
	L918/L918U/DL918/DL7000	NM1/NH1	1/3	2013/06/10

L918/L918U/DL918/DL7000 型別件表

									
MODEL	SUB-CLASS	SPRING	SPRING	ECCENTRIC	THREAD GUIDE	NEEDLE BAR	FIXED PIN	ADJUSTING KNOB	HOOK FIXER
機 型	規 格	控線彈簧	控線彈簧	偏心凸輪	擋環片	針棒	固定銷	調整旋鈕	旋梭定位板
NM1	薄布料 ~ 中厚料	LA31	LA22	LN38	A LA17	LN37	LC13	LC23G	LE14D
					B SK613				
NH1	中厚料 ~ 厚布料	LA131	LA122	LN63	A LA150	LN62	LC613	LC623G	LE614D
					B SK689				

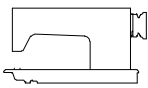
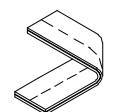

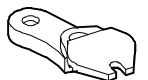

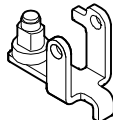

SIRUBA MODEL COMPARE LIST	Series	Remark	Page	Date
	L918/L918U/DL918/DL7000	NM1/NH1	2/3	2013/01/01

L918/L918U/DL918/DL7000 型別件表

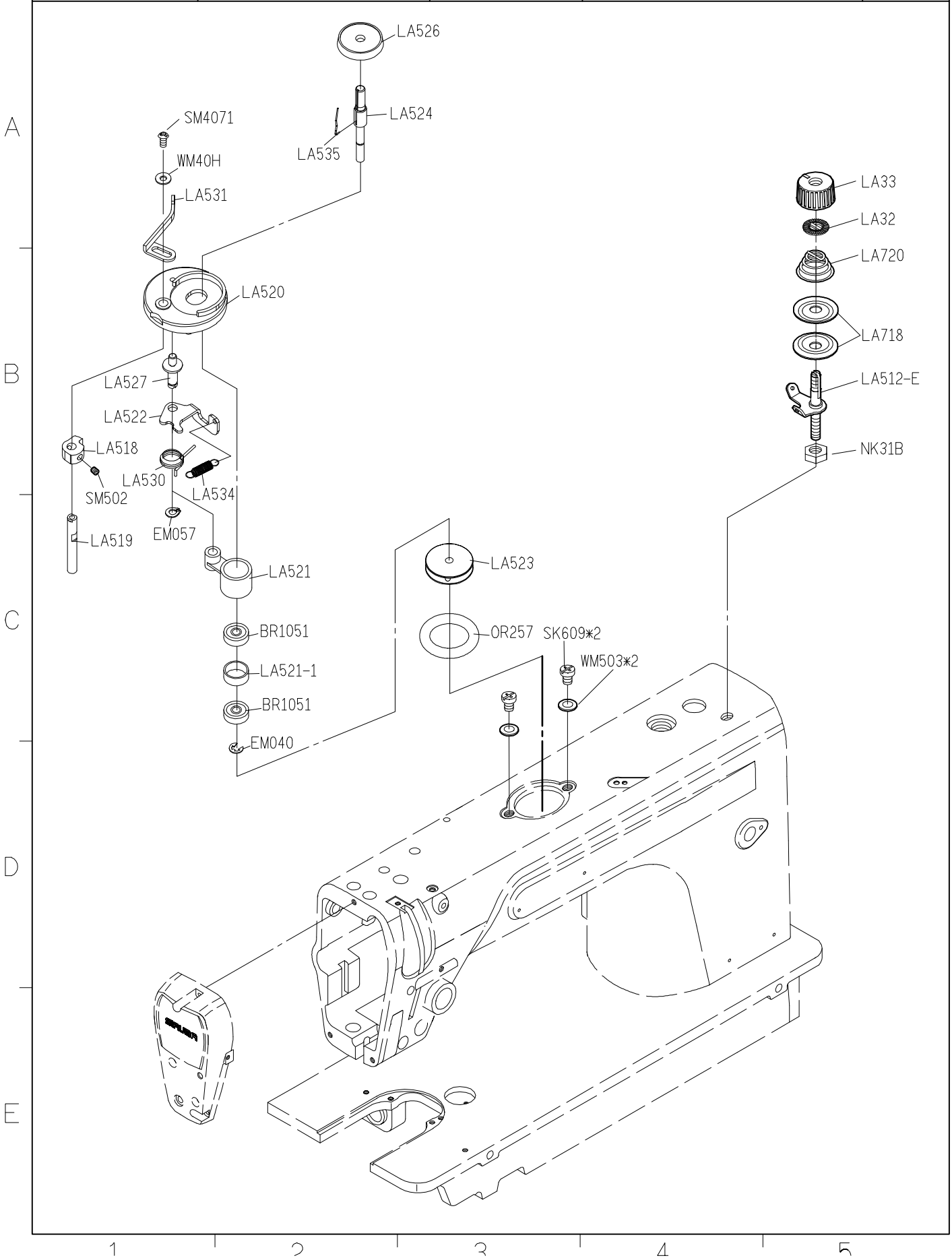
													
MODEL	SUB-CLASS	SOLENOID BRACKET	PRESSER PLATE	FIXED PLATE	FIXED PLATE	CONNECTING ROD		CONNECTING ROD		MOVABLE KNIFE		MOVABLE KNIFE	
機 型	規 格	電磁閥座	押板	固定刀	固定片	連桿		連桿		活動刀		活動刀	
NM1	薄布料 ~ 中厚料	LU26	LU04	LU05	LU28	A	LU15	—	—	A	LU02	—	—
						B	SK662						
						c	EM050						
						D	SK664						
NH1	中厚料 ~ 厚布料	LU626	LU604	LU605	LU628	—	A	LU615	—	—	A	LU602	
							B	SK677					
							c	NK26/WM402					
							D	SK682					
										B	SK683		

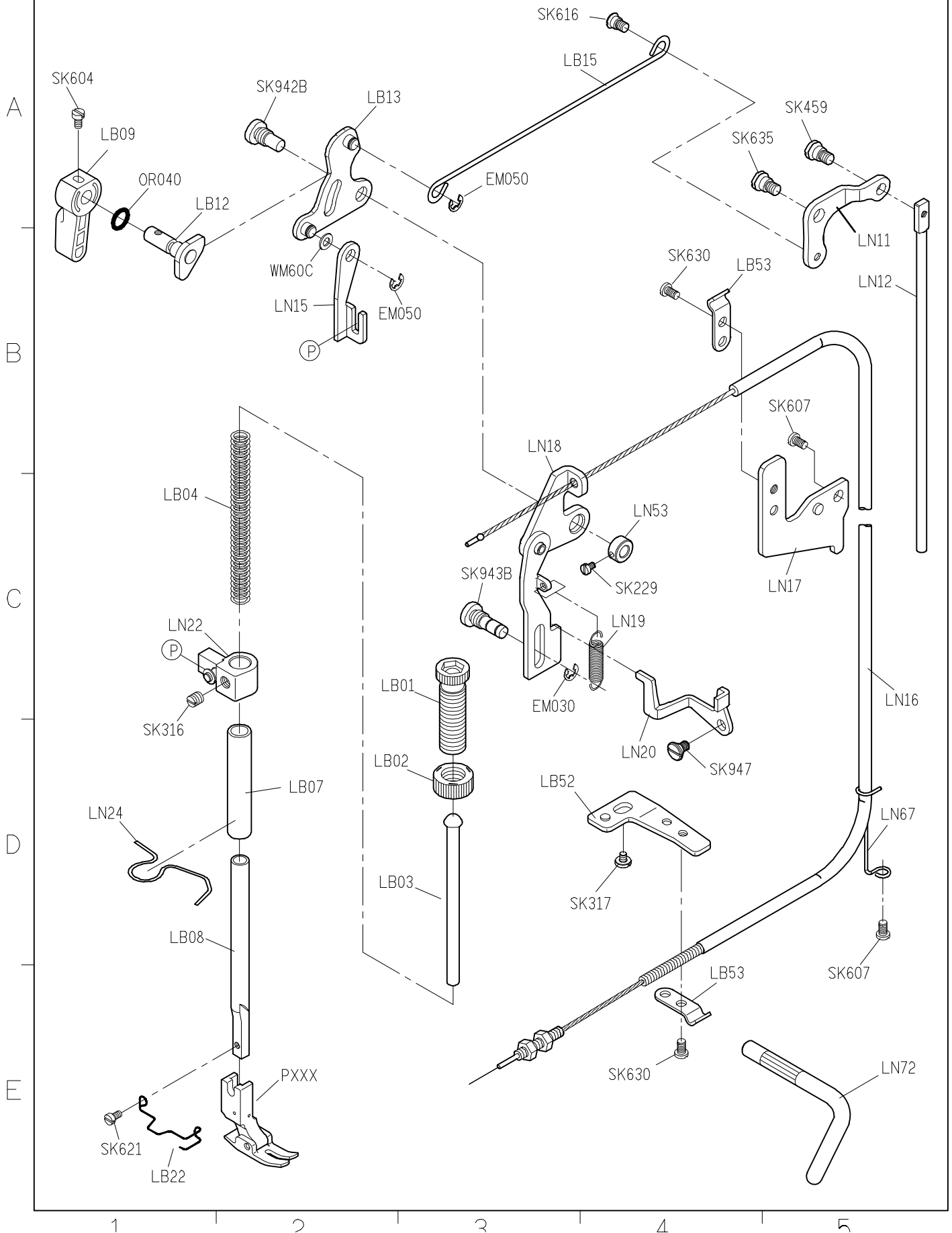
SIRUBA MODEL COMPARE LIST	Series	Remark	Page	Date
	L918/L918U/DL918/DL7000	NM1/NH1	3/3	2013/01/01

L918/L918U/DL918/DL7000 型別件表

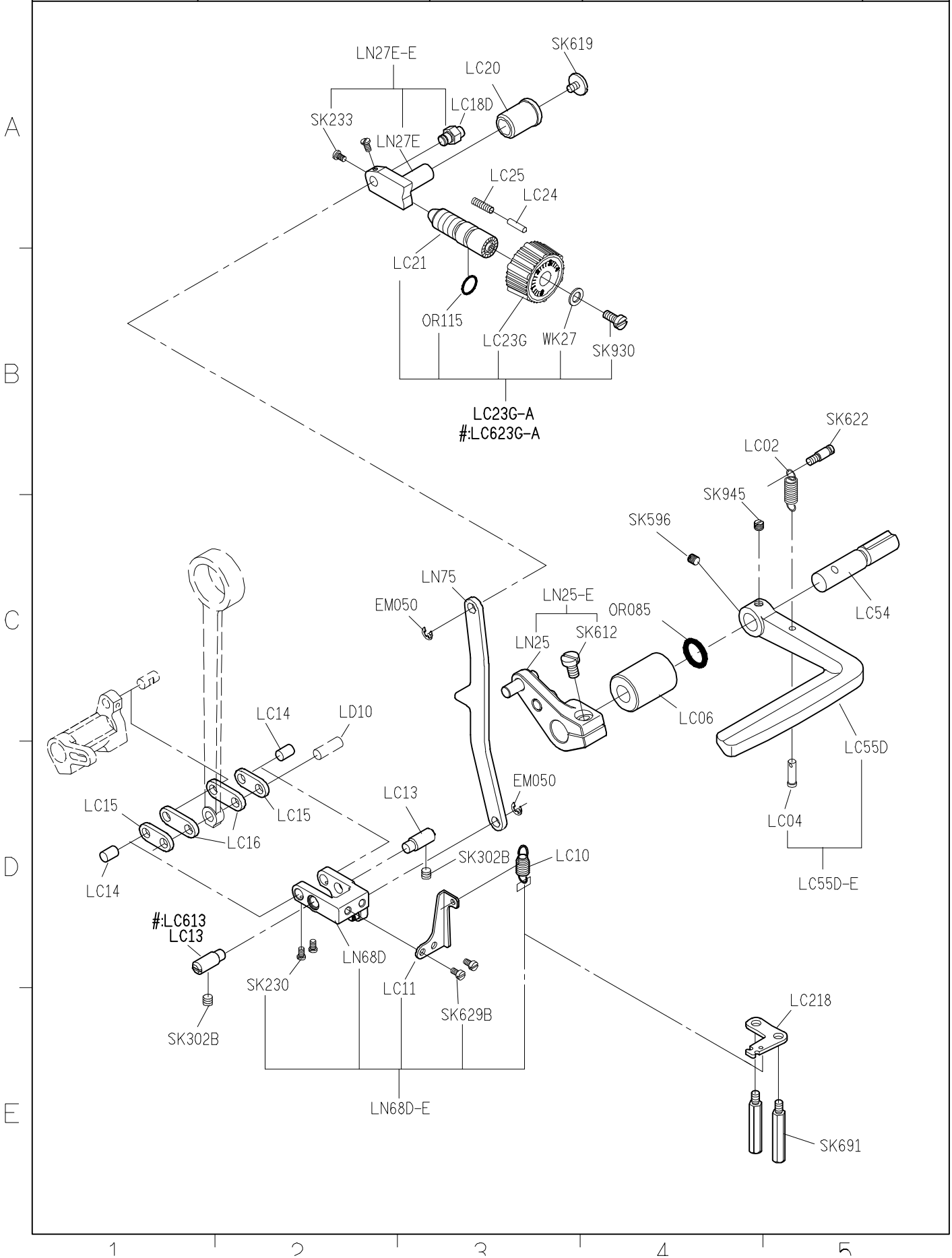
						
MODEL	SUB-CLASS	MOVABLE KNIFE CONNECTING ROD	MOVABLE KNIFE CONNECTING ROD	PRESSER PLATE	MOVABLE KINFE	TRIMMER SOLENOID
機 型	規 格	活動刀連桿	活動刀連桿	刀座	轉子連桿	切線電磁閥
NM1	薄布料 ~ 中厚料	LU01	—	LU03	LU18	LU25
NH1	中厚料 ~ 厚布料	—	LU601	LU603	LU618	LU625

SIRUBA PARTS LIST	Series	Parts Group	Subclass / Remark	Page
	DL918-NM1/NH1	LA		2/2
				Date
				2012/09/12

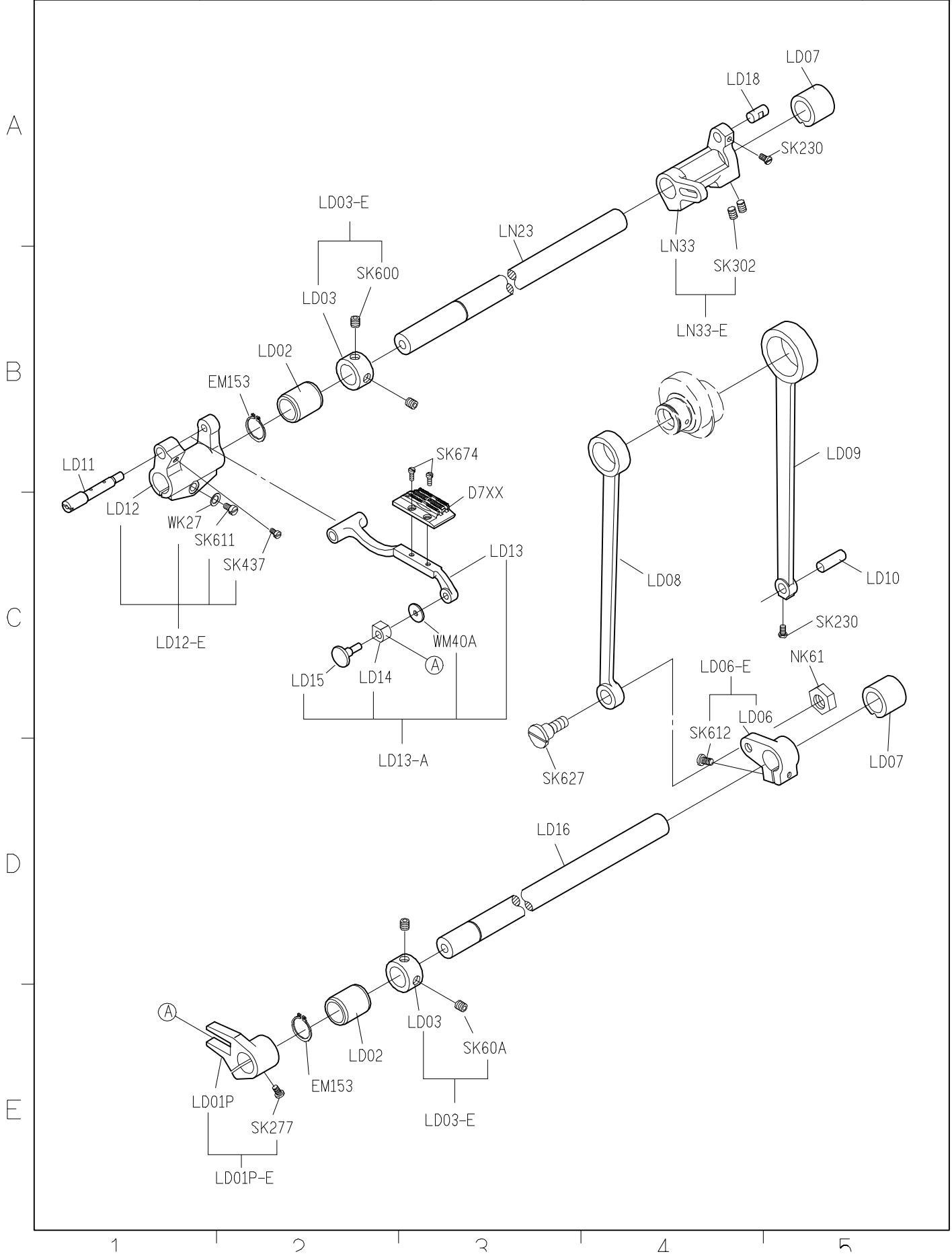


SIRUBA**PARTS LIST****Series****DL918-NM1/NH1****Parts Group****LB****Subclass / Remark****Page****1/1****Date****2012/09/12**

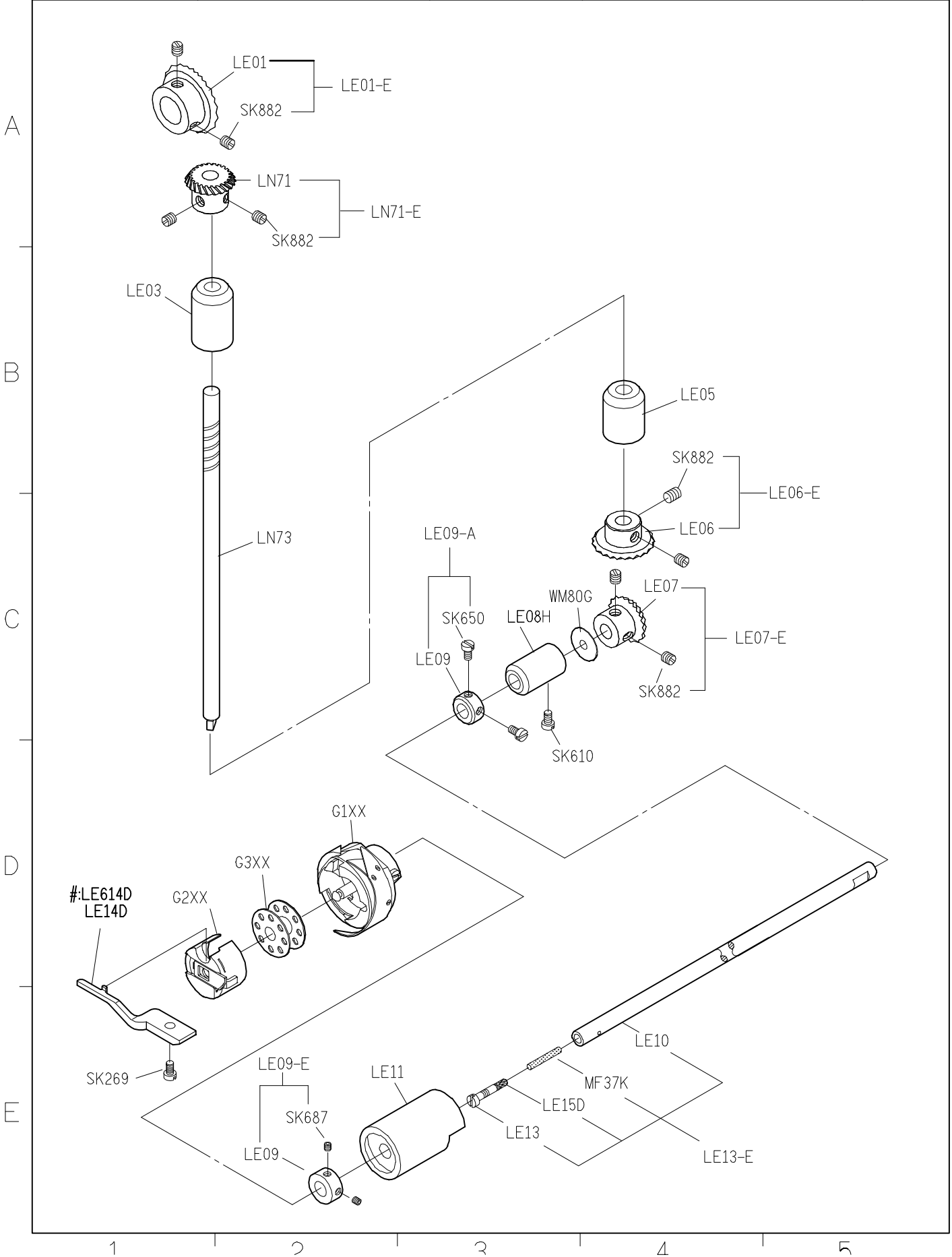
SIRUBA PARTS LIST	Series	Parts Group	Subclass / Remark	Page
	DL918-NM1/NH1	LC	#:Use for NH1	1/1
				Date
				2012/09/12



SIRUBA PARTS LIST	Series	Parts Group	Subclass / Remark	Page
	DL918-NM1/NH1	LD		1/1
				Date
				2012/09/12



SIRUBA PARTS LIST	Series	Parts Group	Subclass / Remark	Page
	DL918-NM1/NH1	LE	#:Use for NH1	1/1
				Date
				2012/11/30



SIRUBA PARTS LIST	Series	Parts Group	Subclass / Remark	Page
	DL918-NM1/NH1	LG	#:Use for NH1	1/1
				Date
				2012/09/12

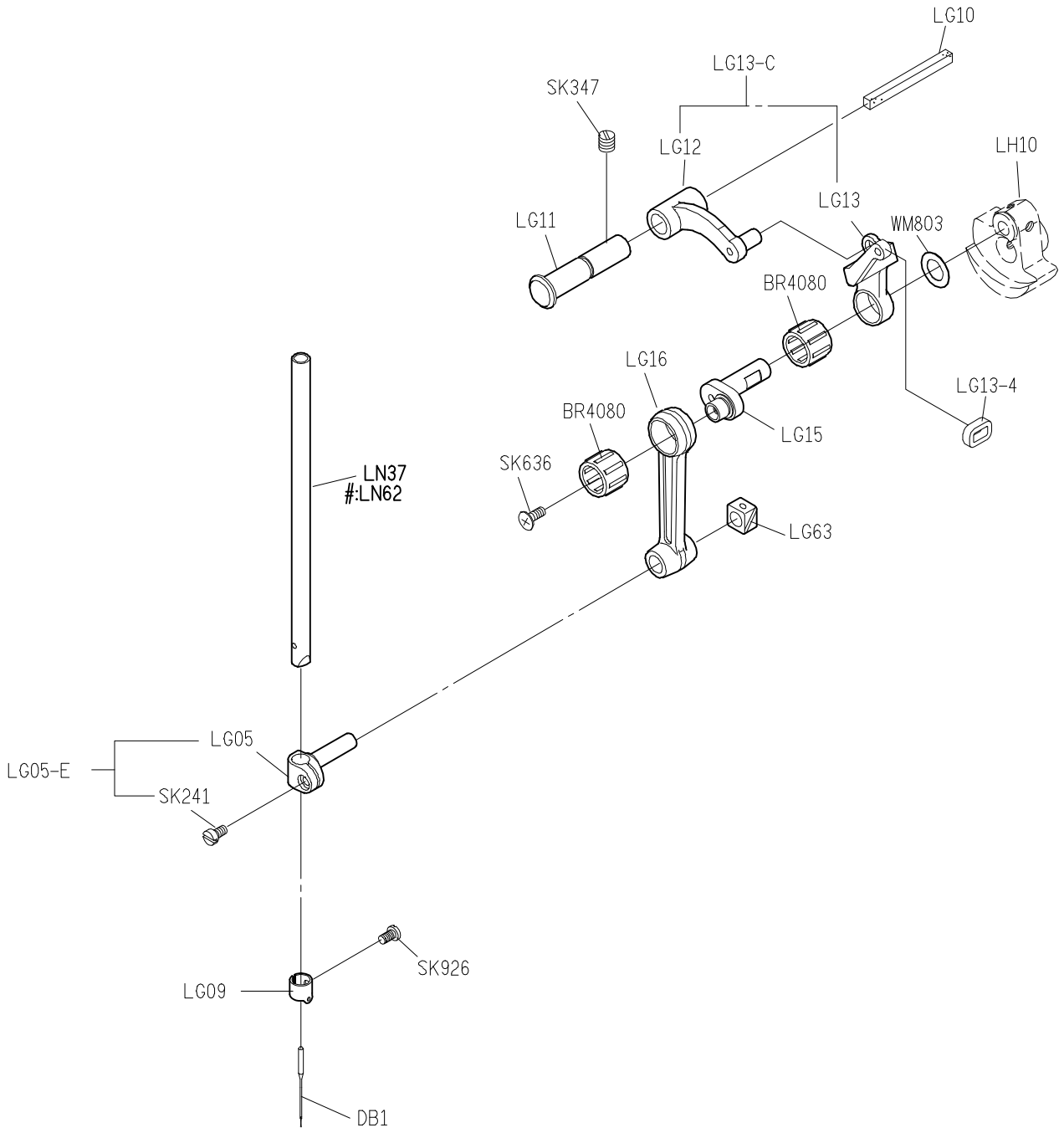
A

B

C

D

E



1

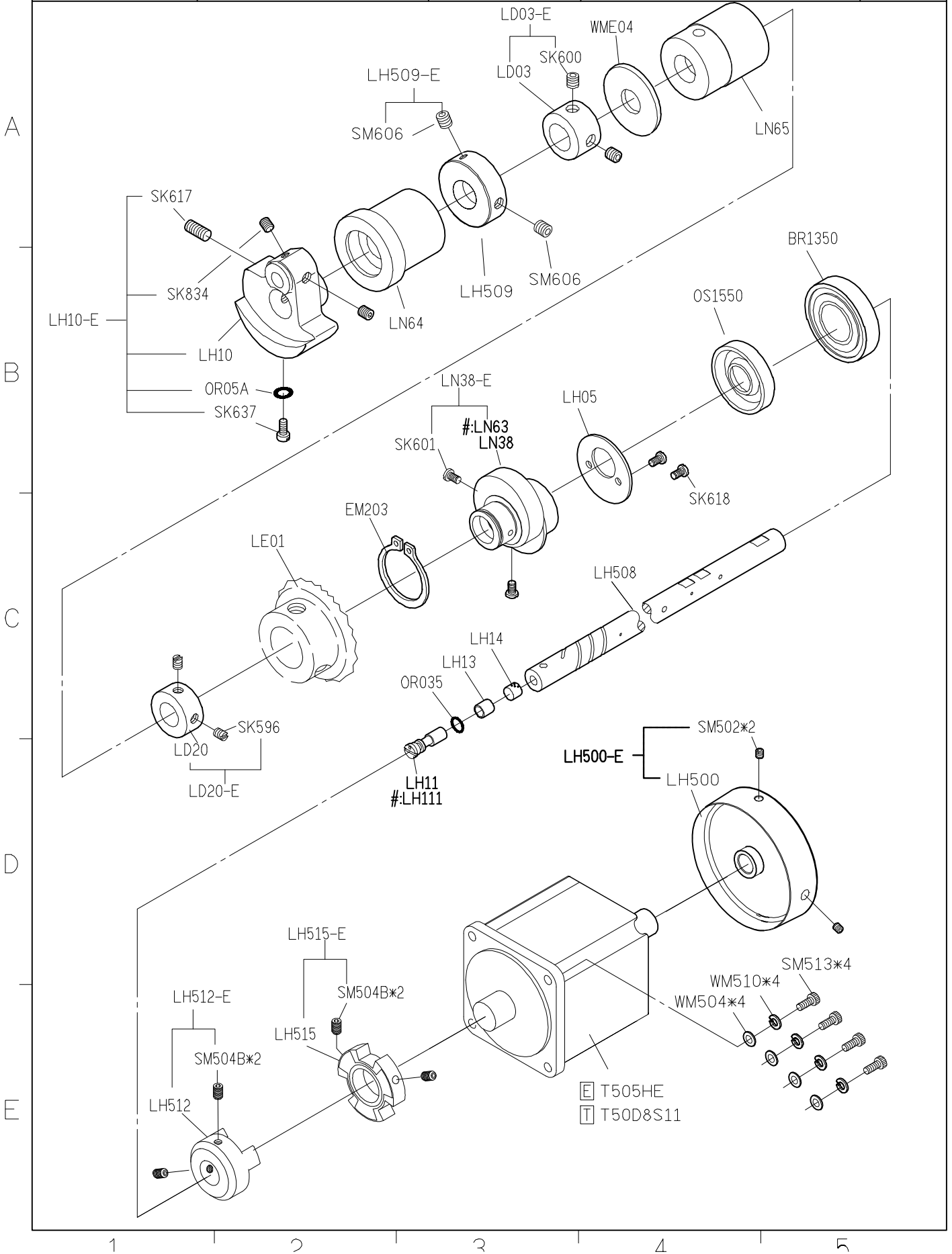
2

3

4

5

SIRUBA PARTS LIST	Series	Parts Group	Subclass / Remark	Page
	DL918-NM1/NH1	LH	#:Use for NH1	1/1
				Date
				2012/09/12



SIRUBA

PARTS LIST

Series

DL918-NM1/NH1

Parts Group

LL

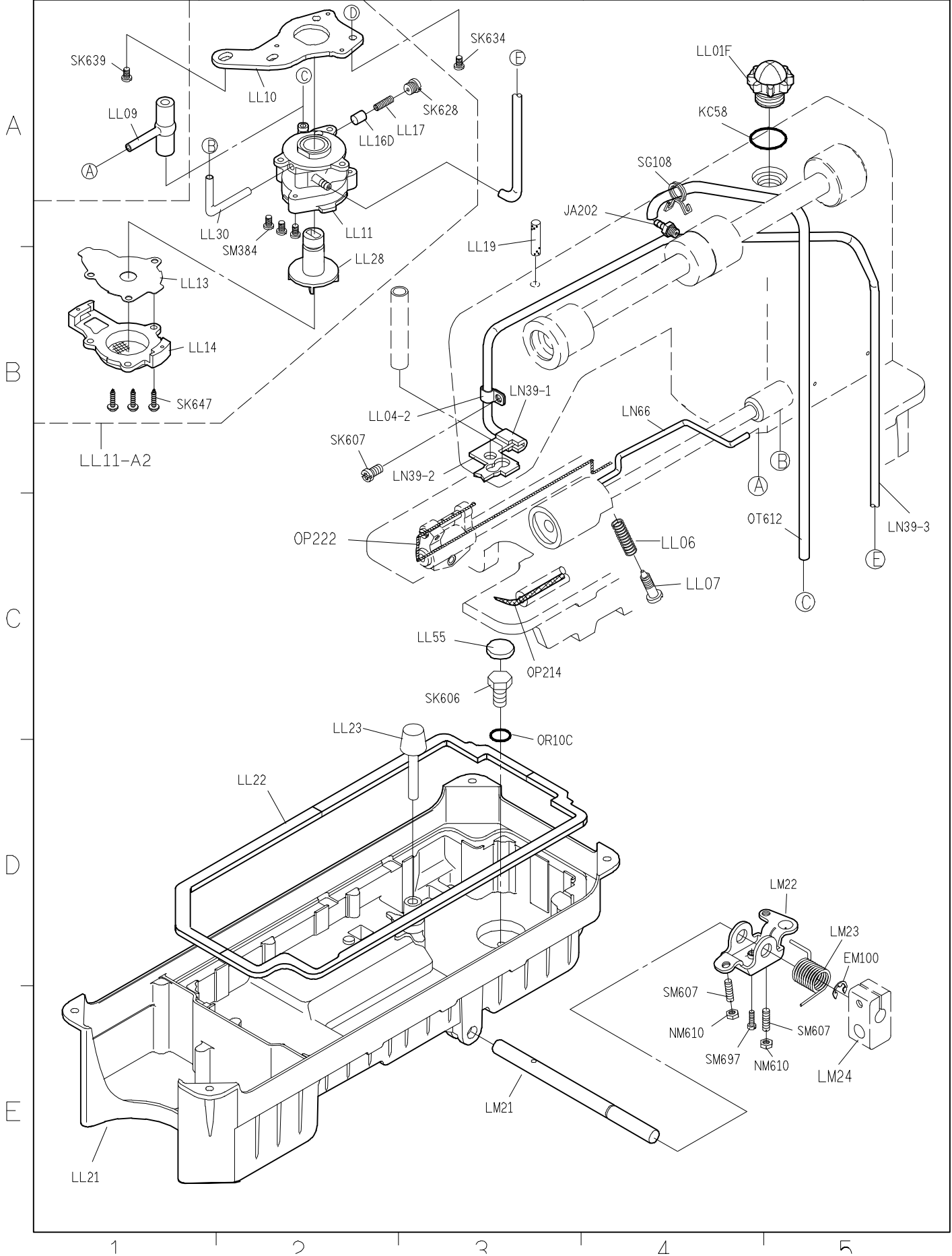
Subclass / Remark

Page

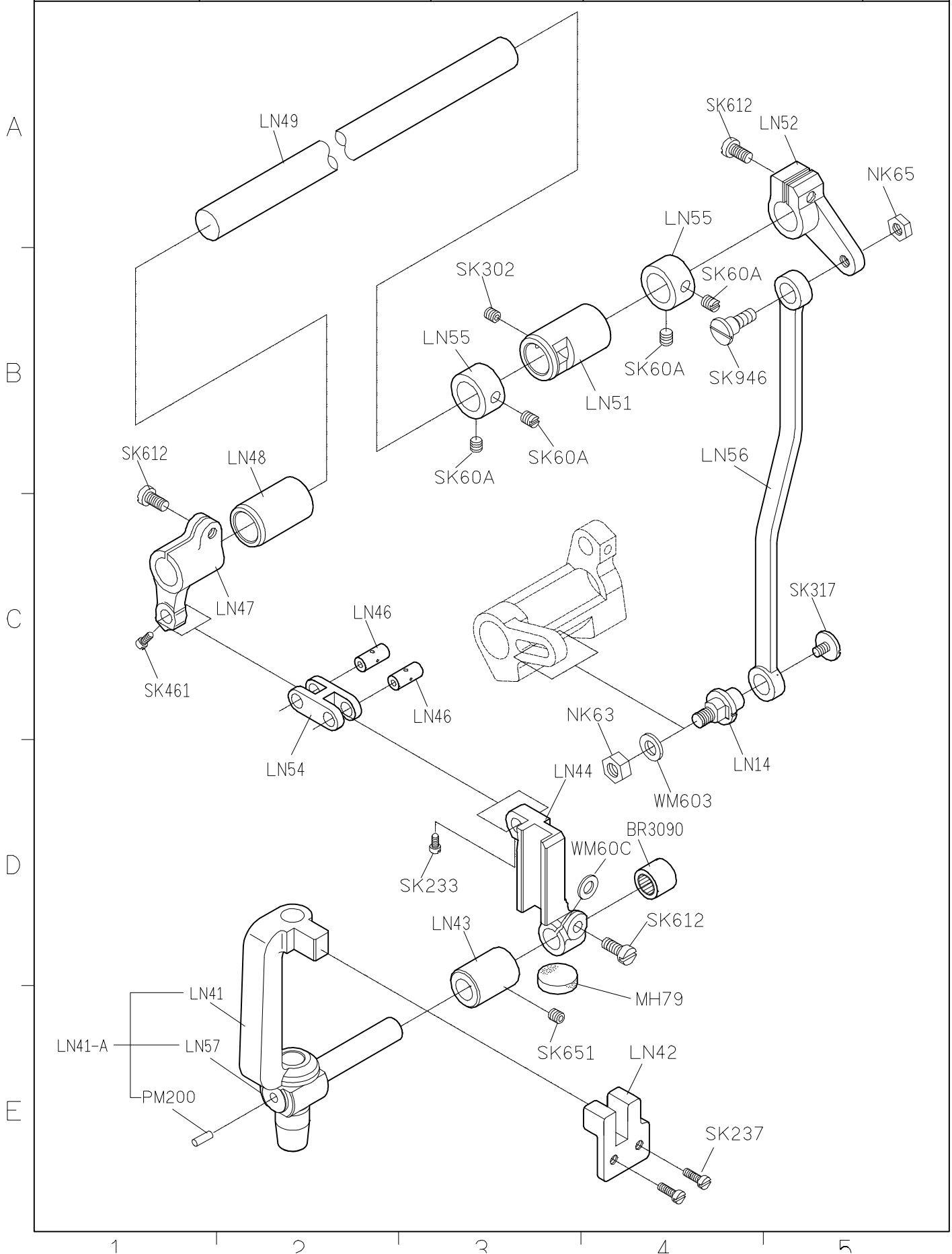
1/1

Date

2013/03/20



SIRUBA PARTS LIST	Series	Parts Group	Subclass / Remark	Page
	DL918-NM1/NH1	LN		1/1
				Date
				2013/04/19



SIRUBA**PARTS LIST****Series****DL918-NM1/NH1****Parts Group****LU****Subclass / Remark**

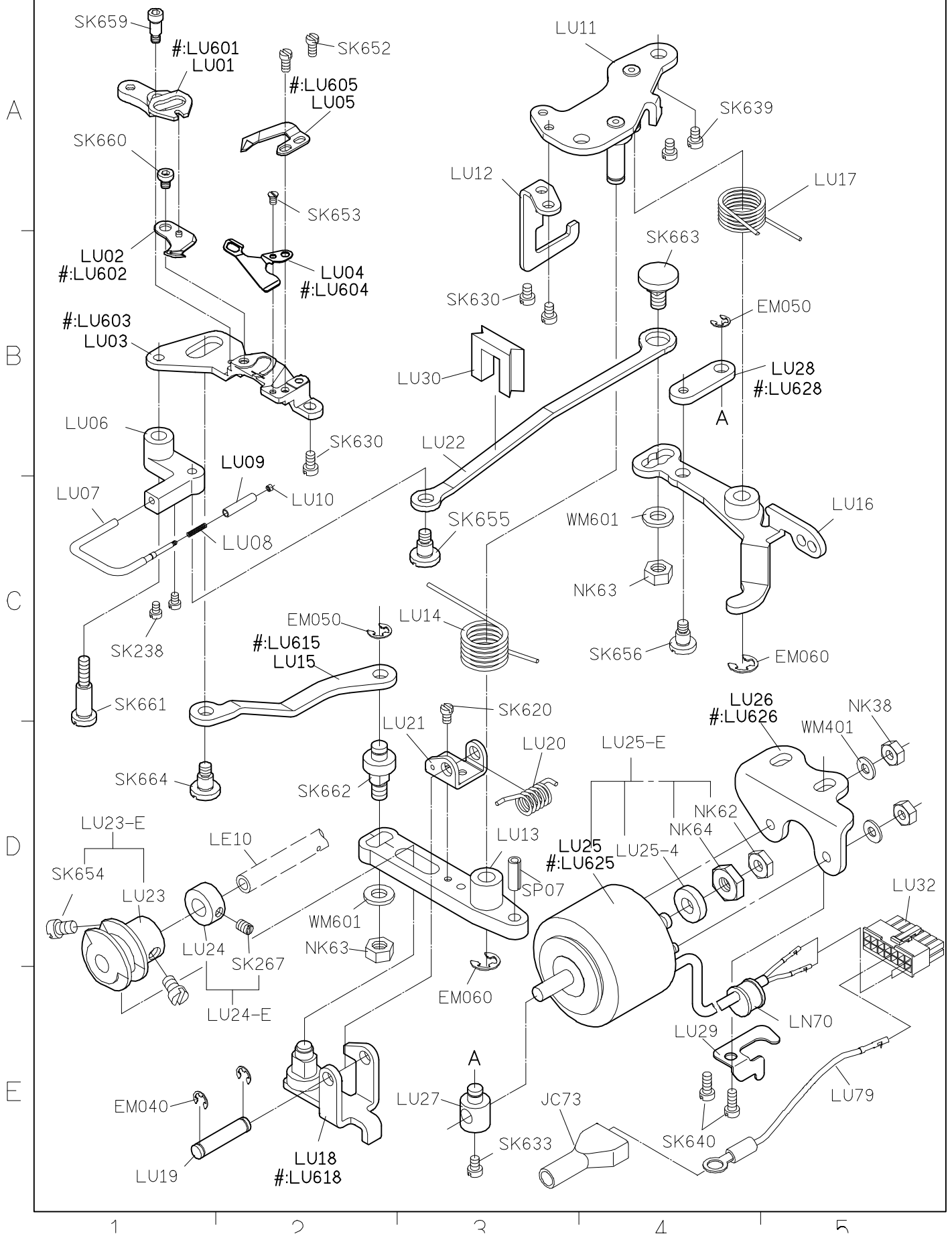
#:Use for NH1

Page

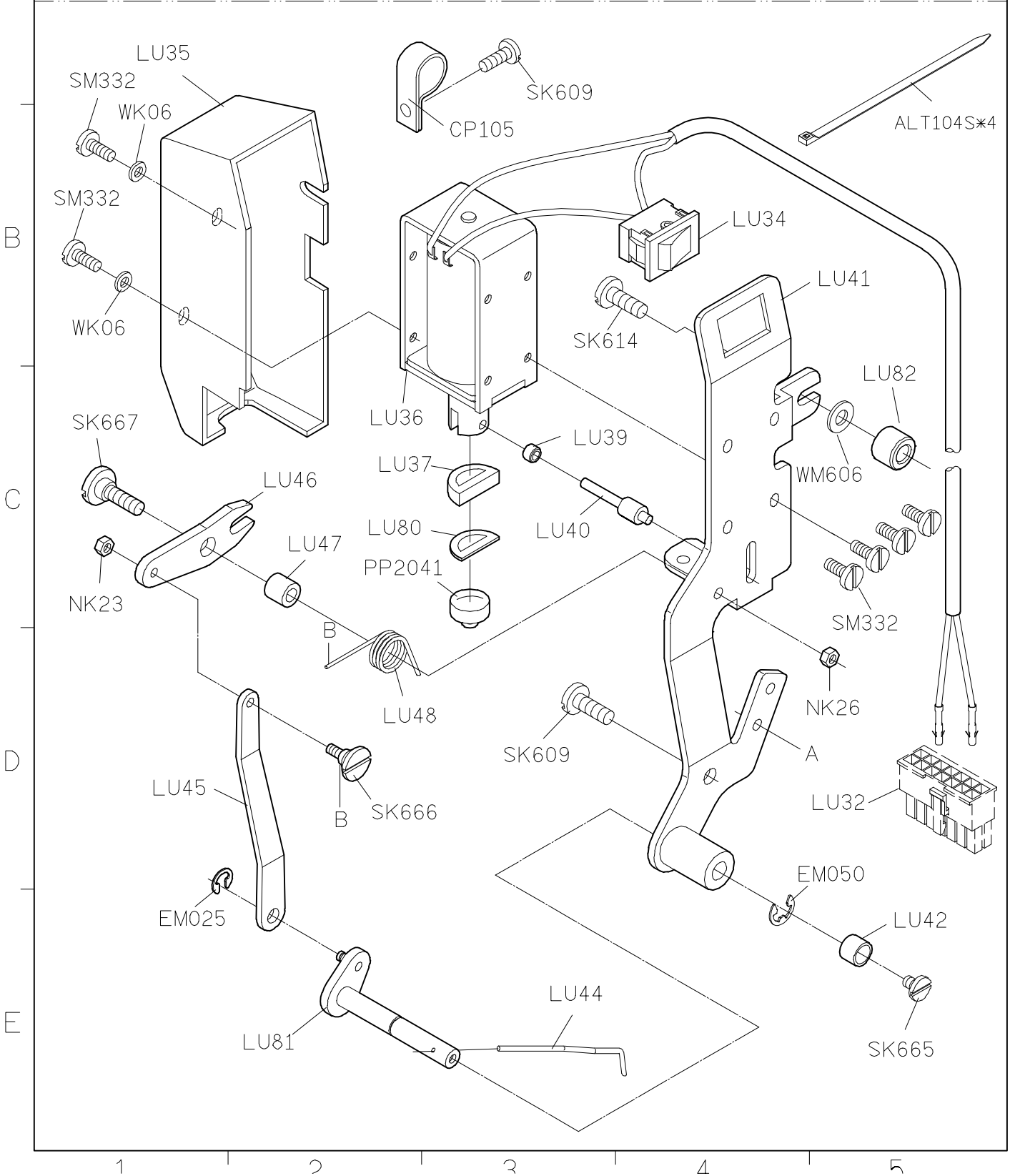
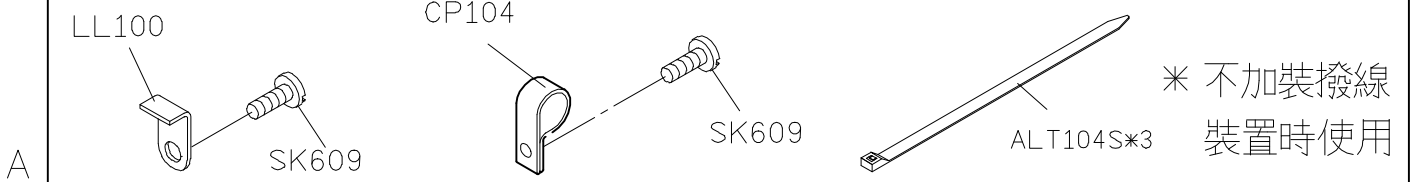
1/7

Date

2012/11/01

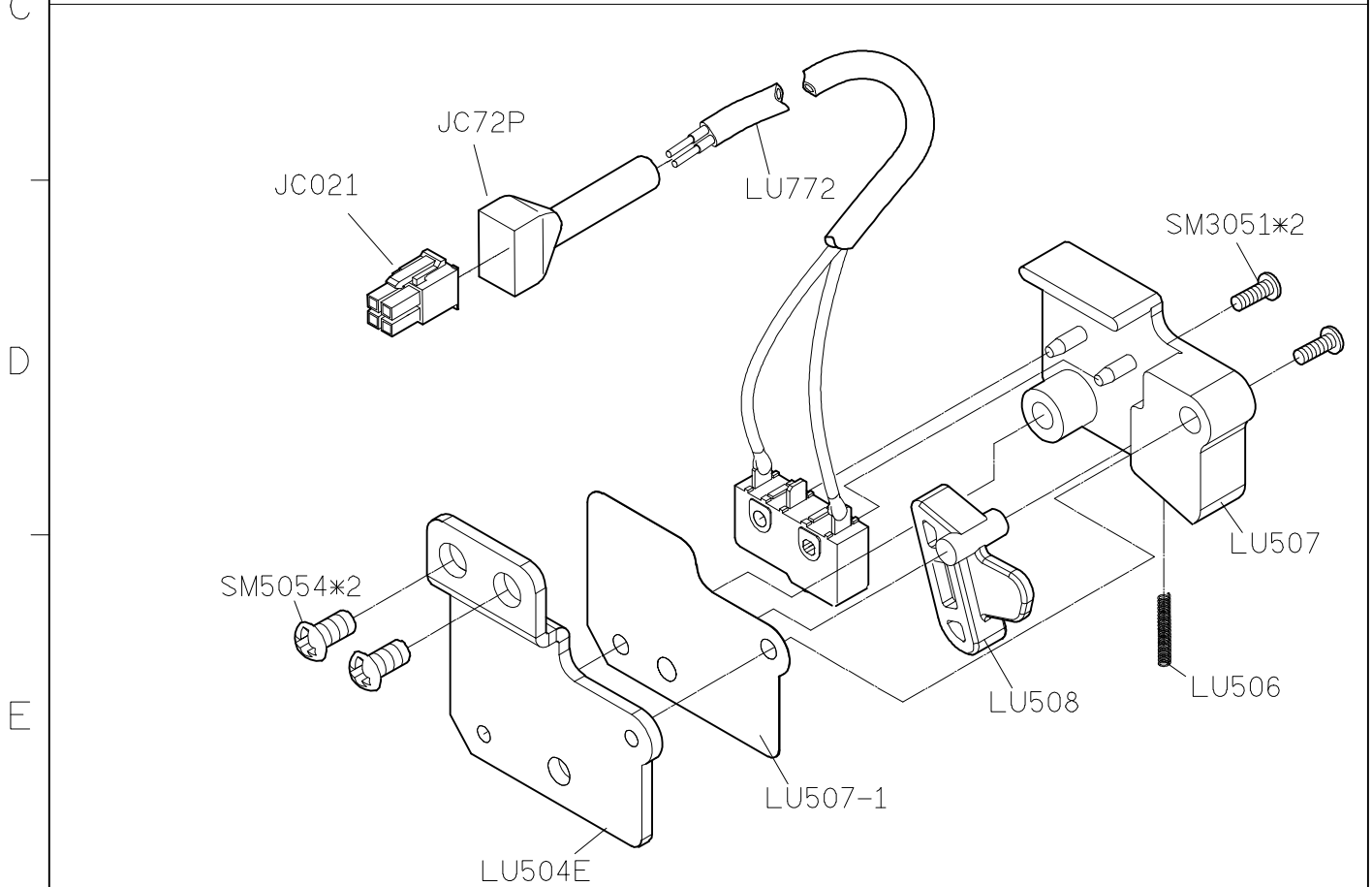
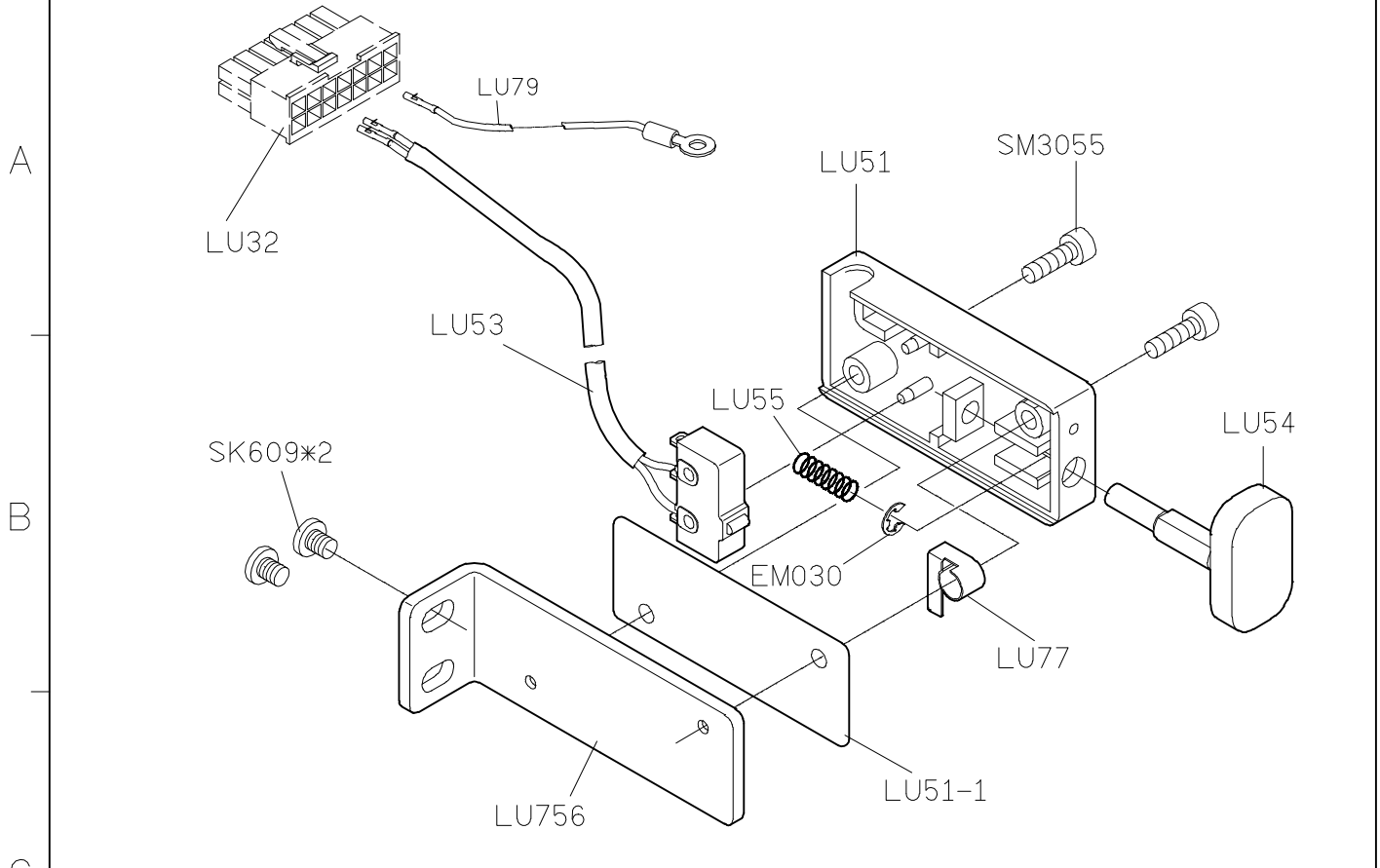


SIRUBA PARTS LIST	Series	Parts Group	Subclass / Remark	Page
	DL918-NM1/NH1	LU		2/7
				Date
				2012/11/01



1 2 3 4 5

SIRUBA PARTS LIST	Series	Parts Group	Subclass / Remark	Page
	DL918-NM1/NH1	LU		3/7
				Date
				2012/11/01



SIRUBA PARTS LIST	Series	Parts Group	Subclass / Remark	Page
	DL918-NM1/NH1	LU		4/7
				Date
				2012/11/01

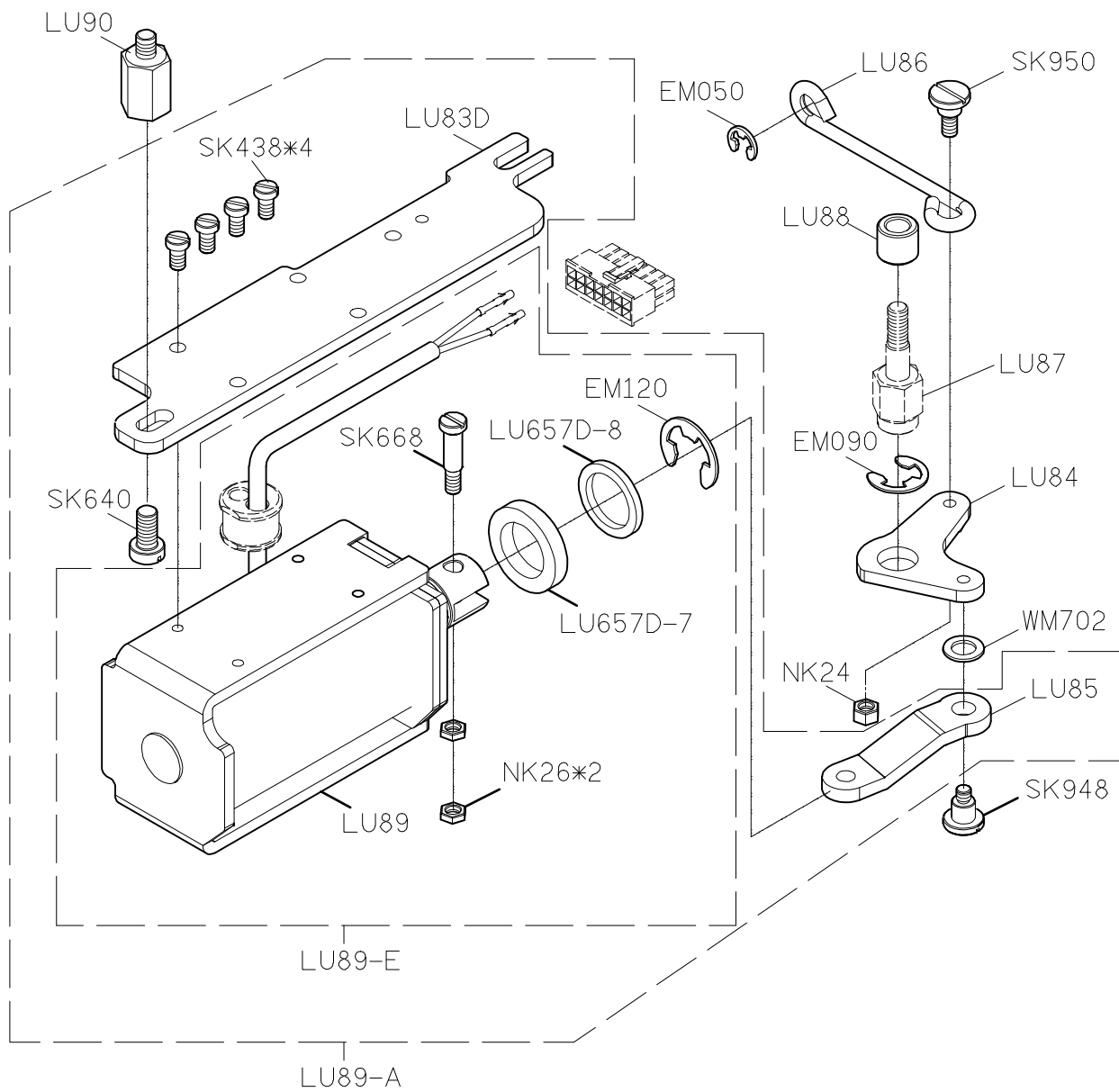
A

B

C

D

E



1

2

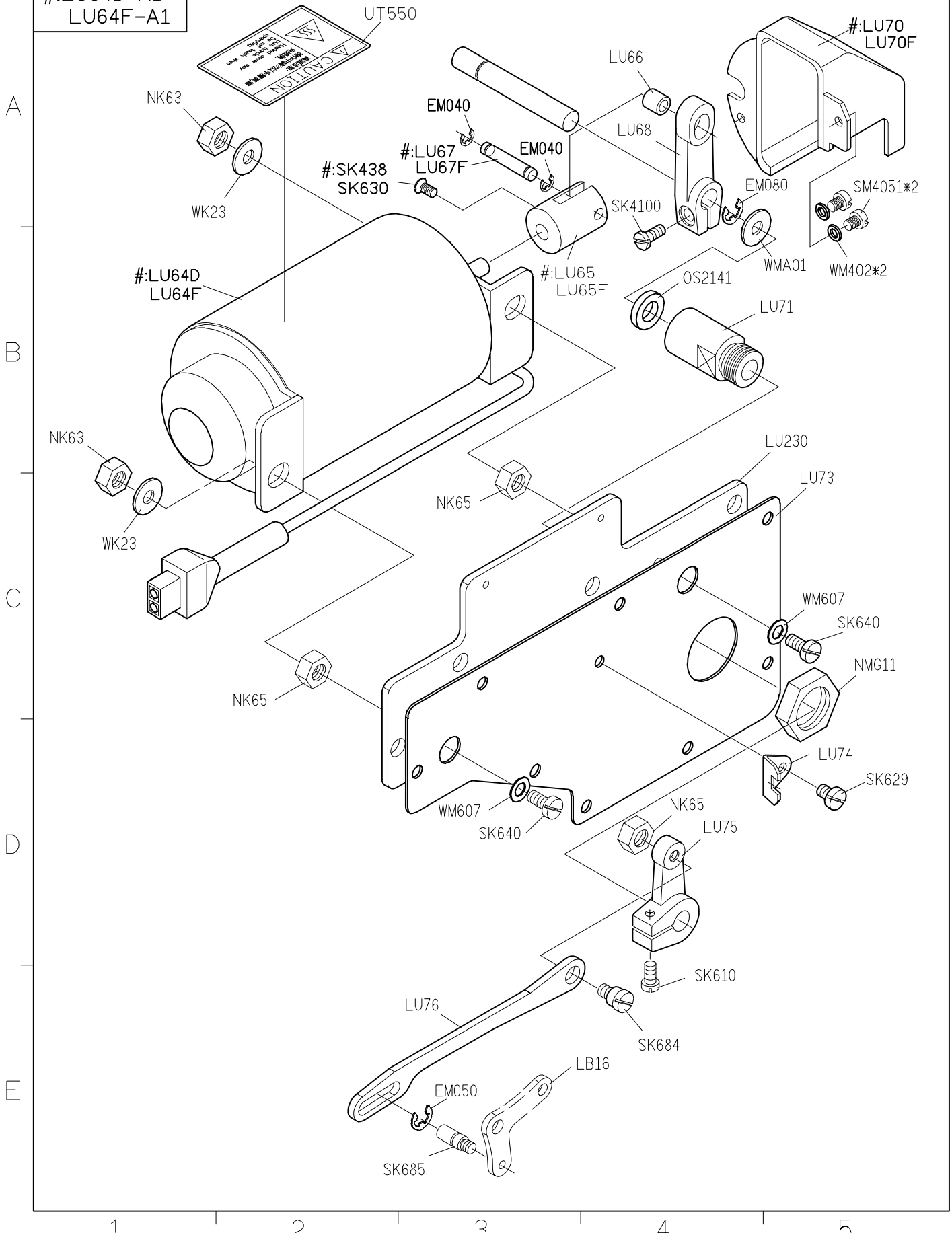
3

4

5

SIRUBA PARTS LIST	Series	Parts Group	Subclass / Remark	Page
	DL918-NM1/NH1	LU	#:Use for NH1	5/7
				Date
				2012/11/01

#:LU64D-A1
LU64F-A1

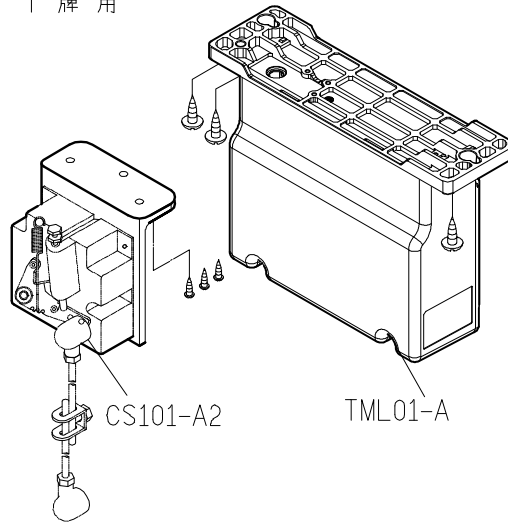


SIRUBA PARTS LIST	Series	Parts Group	Subclass / Remark	Page
	DL918-NM1/NH1	LU		6/7
				Date
				2012/11/01

丁牌用

A

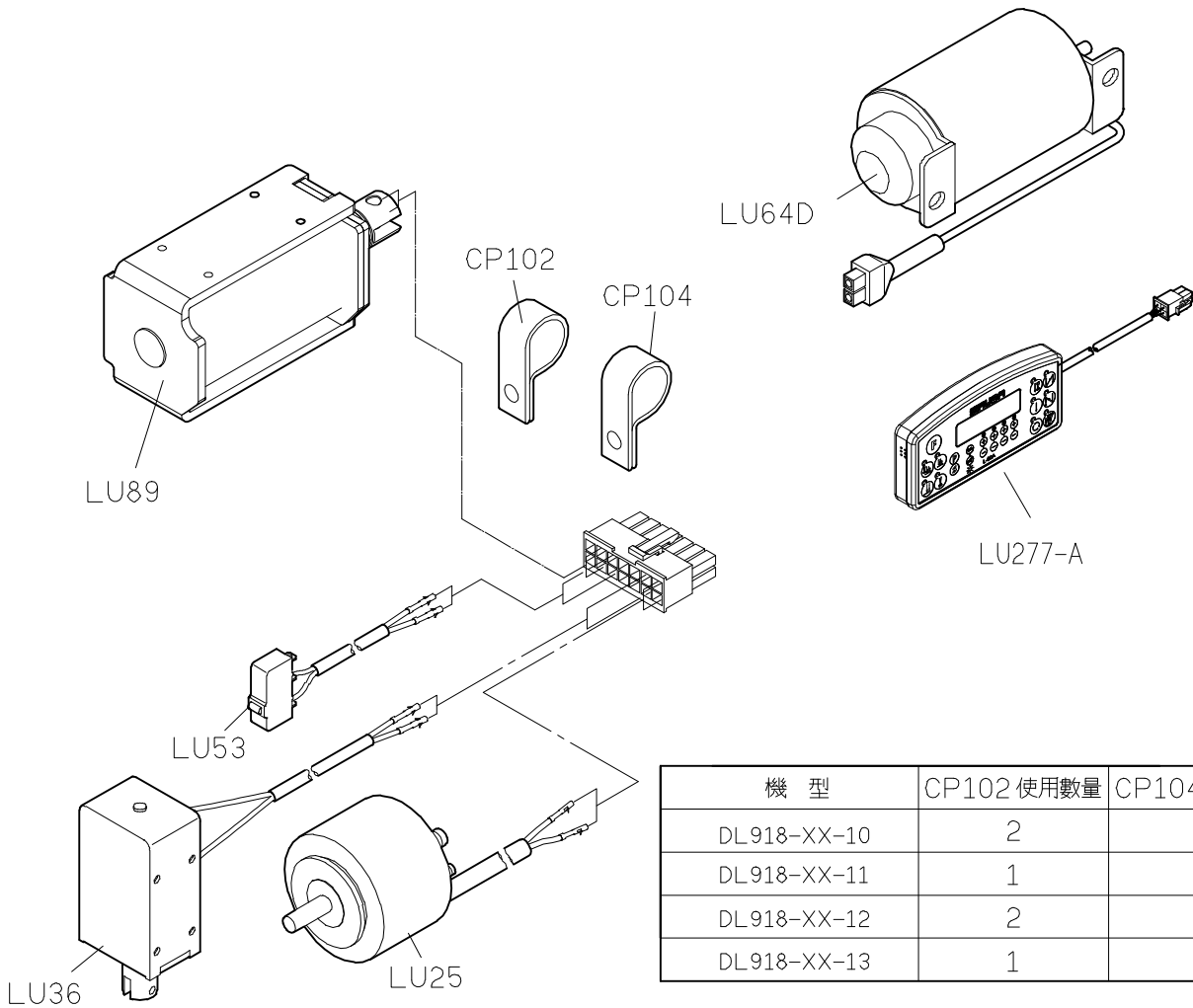
B



C

D

E



機 型	CP102 使用數量	CP104 使用數量
DL918-XX-10	2	1
DL918-XX-11	1	2
DL918-XX-12	2	1
DL918-XX-13	1	2

1

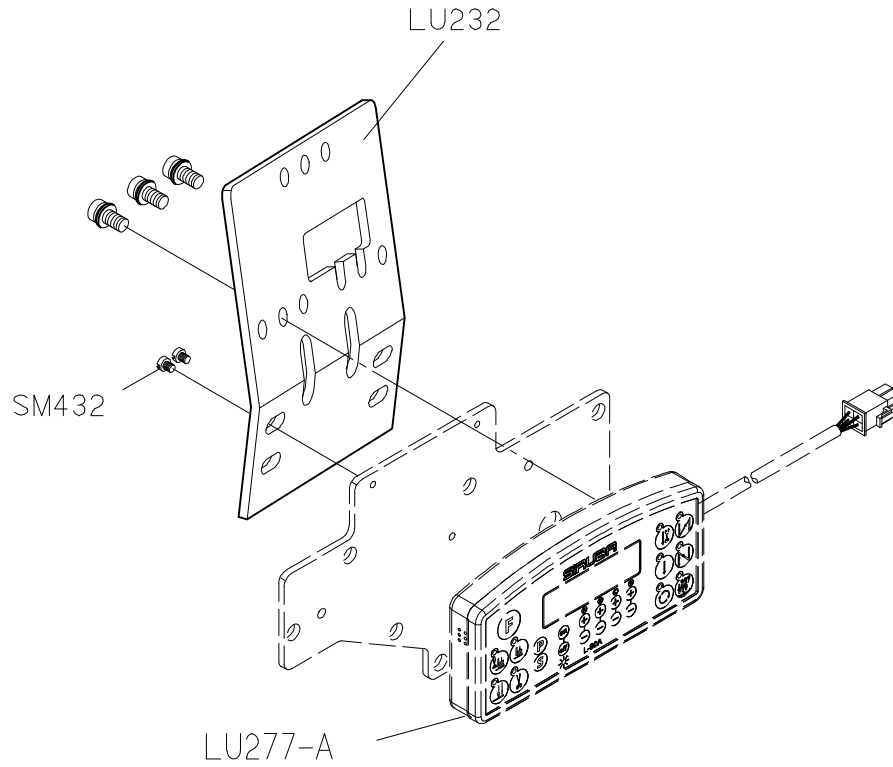
2

3

4

5

SIRUBA PARTS LIST	Series	Parts Group	Subclass / Remark	Page
	DL918-NM1/NH1	LU		7/7
				Date
				2012/11/01



註：此部份置於配件箱內

代碼 NO.	操作面板 Control Panel	代碼 NO.	自動切線 Auto THREAD Trimmer	快速倒縫 Reverse Feeding	撥線桿 Wiper	自動抬押具 Auto Lifter
1	LU277-A	0	√	√	—	—
		1	√	√	√	—
		2	√	√	—	√
		3	√	√	√	√

SIRUBA PARTS LIST	Series	Parts Group	Subclass / Remark	Page
	DL918-NM1/NH1	LM		1/1
				Date
				2012/11/01

LM20-A

LM24-E

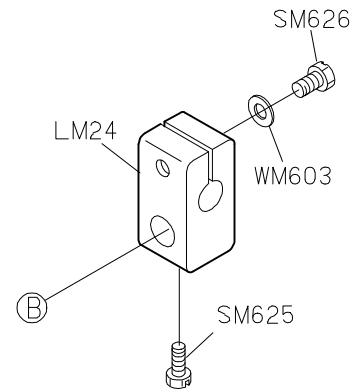
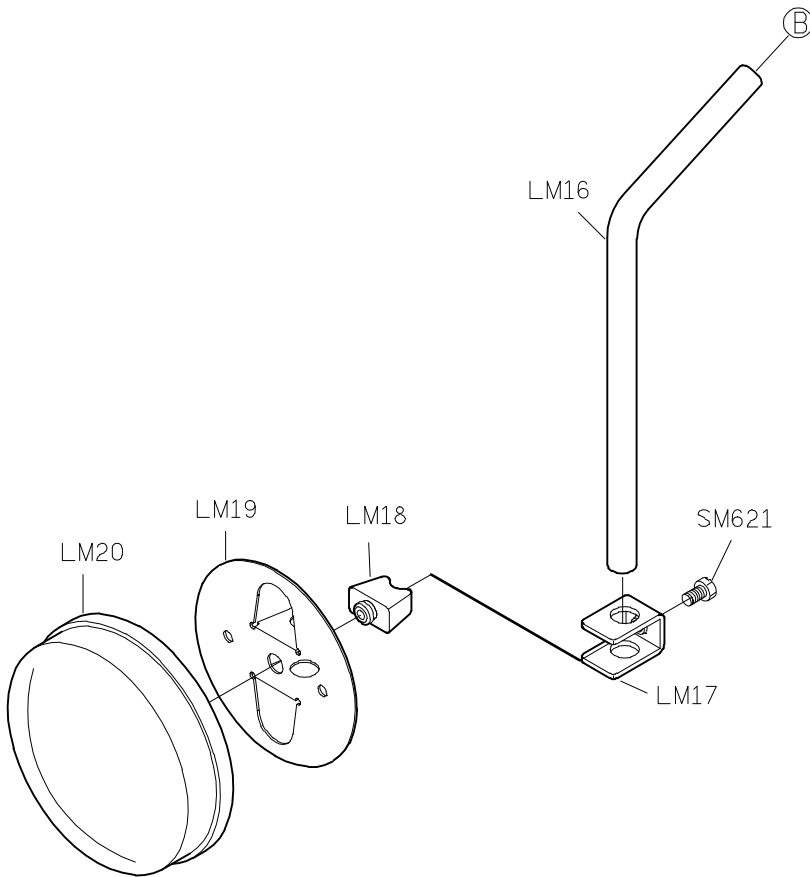
A

B

C

D

E



1

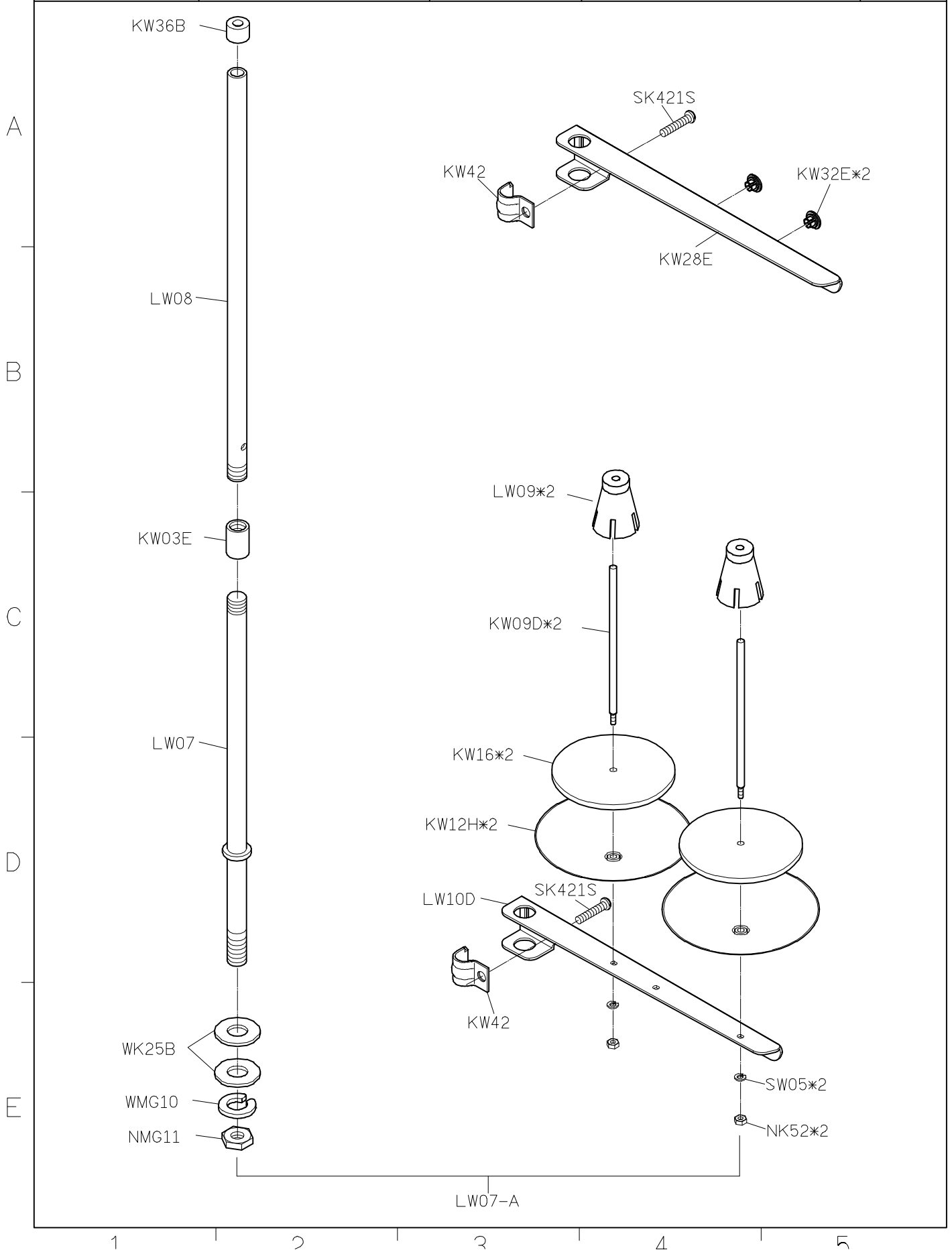
2

3

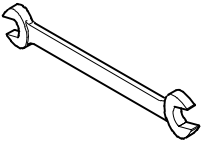

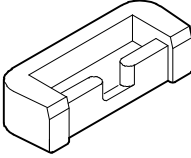
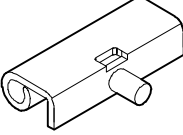

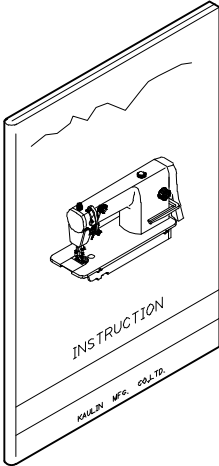
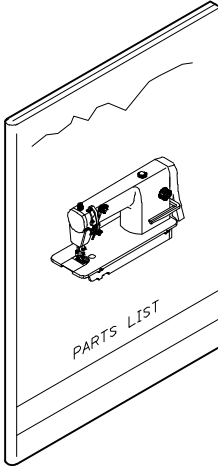

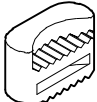
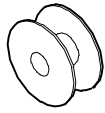


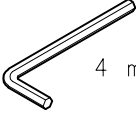

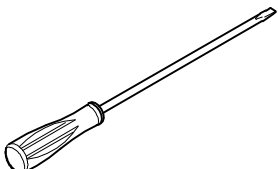
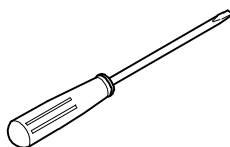
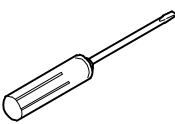

4

5

SIRUBA PARTS LIST	Series	Parts Group	Subclass / Remark	Page
	DL918-NM1/NH1	LW		1/1
				Date
				2013/04/10



SIRUBA PARTS LIST	Series	Parts Group	Subclass / Remark	Page
	DL918-NM1/NH1	LY		1/1
				Date
				2012/11/01

A	LY01 	LY02 	YM04*2 	LY05*2 	YM102*2 
B	LY530 	LY531 	LY37-A 	YM103*2 	G3XX 
C	針*2 	LY38 	MY12 	KZ03*1 	
D	LY33 	LY34 	LY35 	KY201 	
E	1	2	3	4	5

SIRUBA PARTS LIST	Series	Parts Group	Subclass / Remark	Page
	DL918-NM1/NH1	LZ		1/1
				Date
				2012/12/22

