



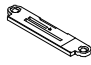
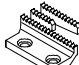







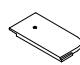




|                                         |               |               |             |                   |
|-----------------------------------------|---------------|---------------|-------------|-------------------|
| <b>SIRUBA</b><br><b>GAGE PARTS LIST</b> | <b>Series</b> | <b>Remark</b> | <b>Page</b> | <b>Date</b>       |
|                                         | <b>DL918</b>  | <b>RM1</b>    | <b>1/2</b>  | <b>2012/11/01</b> |

DL918-RM1規格件表      CONVERSION    CHART

P1

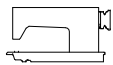


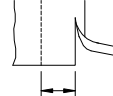
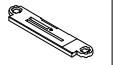
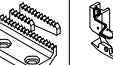



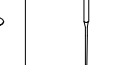

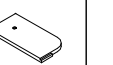



|  |  |  |  |  |  |  |  |  |  |  |  |  |  |  |  |
|-----------------------------------------------------------------------------------|-----------------------------------------------------------------------------------|-----------------------------------------------------------------------------------|-----------------------------------------------------------------------------------|-----------------------------------------------------------------------------------|-----------------------------------------------------------------------------------|-------------------------------------------------------------------------------------|-------------------------------------------------------------------------------------|-------------------------------------------------------------------------------------|-------------------------------------------------------------------------------------|-------------------------------------------------------------------------------------|-------------------------------------------------------------------------------------|-------------------------------------------------------------------------------------|-------------------------------------------------------------------------------------|-------------------------------------------------------------------------------------|-------------------------------------------------------------------------------------|
| MODEL                                                                             | SUB-CLASS                                                                         | OPERATING PANEL                                                                   | GAUGE WIDTH                                                                       | NEEDLE PLATE                                                                      | FEED DOG                                                                          | PRESSER FOOT                                                                        | HOOK ASM                                                                            | BOBBIN CASE ASM                                                                     | BOBBIN                                                                              | THROAT PLATE CHIP GUARD                                                             | NEEDLE                                                                              | THREAD GUIDE                                                                        | THROAT PLATE COVER                                                                  | HAND WHEEL                                                                          | MOTOR                                                                               |
| 機 型                                                                               | 規 格                                                                               | 操作盒                                                                               | 切邊距離                                                                              | 針 板                                                                               | 送 具                                                                               | 押 具                                                                                 | 梭 頭                                                                                 | 梭 殼                                                                                 | 梭 子                                                                                 | 下導布架                                                                                | 針 號                                                                                 | 導線片                                                                                 | 布板蓋                                                                                 | 手輪                                                                                  | 馬達                                                                                  |
| DL918-RM1-32-10<br><sup>2</sup><br>DL918-RM1-32-13                                | 32                                                                                | LU277-A                                                                           | 1/8" (3.2mm)                                                                      | E705Q<br>< E705S >                                                                | D705<br>< D702 >                                                                  | P705<br>< P701 >                                                                    | G121                                                                                | G202                                                                                | G303                                                                                | LR254D<br>< LR254 >                                                                 | DBX1#14                                                                             | LR141S                                                                              | (LR106S-E)<br>< LR106 >                                                             | LH500-E                                                                             | T50D8S11                                                                            |
| DL918-RM1-40-10<br><sup>2</sup><br>DL918-RM1-40-13                                | 40                                                                                |                                                                                   | 5/32" (4.0mm)                                                                     | E705R<br>< E705Q >                                                                | D705                                                                              | P705                                                                                | G121                                                                                | G202                                                                                | G303                                                                                | LR254D                                                                              | DBX1#14                                                                             | LR141S                                                                              | (LR106-E)                                                                           |                                                                                     |                                                                                     |

<    > 之規格件放於夾鏈袋裝于成車箱內, BOM表編與40站.

|                                         |               |               |              |                   |
|-----------------------------------------|---------------|---------------|--------------|-------------------|
| <b>SIRUBA</b><br><b>GAGE PARTS LIST</b> | <b>Series</b> | <b>Remark</b> | <b>Page</b>  | <b>Date</b>       |
|                                         | <b>DL918</b>  | <b>RM1</b>    | <b>2 / 2</b> | <b>2012/11/01</b> |

## DL918-RM1規格件表    CONVERSION CHART

P2

|  |  |  |  |  |  |  |  |  |  |  |  |  |  |  |  |
|-----------------------------------------------------------------------------------|-----------------------------------------------------------------------------------|-----------------------------------------------------------------------------------|-----------------------------------------------------------------------------------|-----------------------------------------------------------------------------------|------------------------------------------------------------------------------------|-------------------------------------------------------------------------------------|-------------------------------------------------------------------------------------|-------------------------------------------------------------------------------------|-------------------------------------------------------------------------------------|-------------------------------------------------------------------------------------|-------------------------------------------------------------------------------------|-------------------------------------------------------------------------------------|-------------------------------------------------------------------------------------|-------------------------------------------------------------------------------------|-------------------------------------------------------------------------------------|
| MODEL                                                                             | SUB-CLASS                                                                         | OPERATING PANEL                                                                   | GAUGE WIDTH                                                                       | NEEDLE PLATE                                                                      | FEED DOG                                                                           | PRESSER FOOT                                                                        | HOOK ASM                                                                            | BOBBIN CASE ASM                                                                     | BOBBIN                                                                              | THROAT PLATE CHIP GUARD                                                             | NEEDLE                                                                              | THREAD GUIDE                                                                        | THROAT PLATE COVER                                                                  | HAND WHEEL                                                                          | MOTOR                                                                               |
| 機 型                                                                               | 規 格                                                                               | 操作盒                                                                               | 切邊距離                                                                              | 針 板                                                                               | 送 具                                                                                | 押 具                                                                                 | 梭 頭                                                                                 | 梭 殼                                                                                 | 梭 子                                                                                 | 下導布架                                                                                | 針 號                                                                                 | 導線片                                                                                 | 布板蓋                                                                                 | 手輪                                                                                  | 馬達                                                                                  |
| DL918-RM1-48-10<br>↕<br>DL918-RM1-48-13                                           | 48                                                                                | LU277-A                                                                           | 3/16" (4.8mm)                                                                     | E705<br>(E705Q)                                                                   | D705                                                                               | P705                                                                                | G121                                                                                | G202                                                                                | G303                                                                                | LR254D                                                                              | DBX1#14                                                                             | LR141S                                                                              | (LR106-E)                                                                           | LH500-E                                                                             | T50D8S11                                                                            |
| DL918-RM1-64-10<br>↕<br>DL918-RM1-64-13                                           | 64                                                                                |                                                                                   | 1/4" (6.4mm)                                                                      | E705S<br>(E705Q)                                                                  | D702<br>(D705)                                                                     | P701<br>(P705)                                                                      | G121                                                                                | G202                                                                                | G303                                                                                | LR254<br>(LR254D)                                                                   | DBX1#14                                                                             | LR141S                                                                              | (LR106-E)<br>(LR106)                                                                |                                                                                     |                                                                                     |
| DL918-RM1-95-10<br>↕<br>DL918-RM1-95-13                                           | 95                                                                                |                                                                                   | 3/8" (9.5mm)                                                                      | E705T<br>(E705Q)                                                                  | D702<br>(D705)                                                                     | P701<br>(P705)                                                                      | G121                                                                                | G202                                                                                | G303                                                                                | LR254<br>(LR254D)                                                                   | DBX1#14                                                                             | LR141S                                                                              | (LR106T-E)<br>(LR106)                                                               |                                                                                     |                                                                                     |

〈    〉之規格件放於夾鏈袋裝于成車箱內，BOM表編與40站。

**SIRUBA**  
**PARTS LIST**

**Series**  
**DL918-RM1**

**Parts Group**  
**LA**

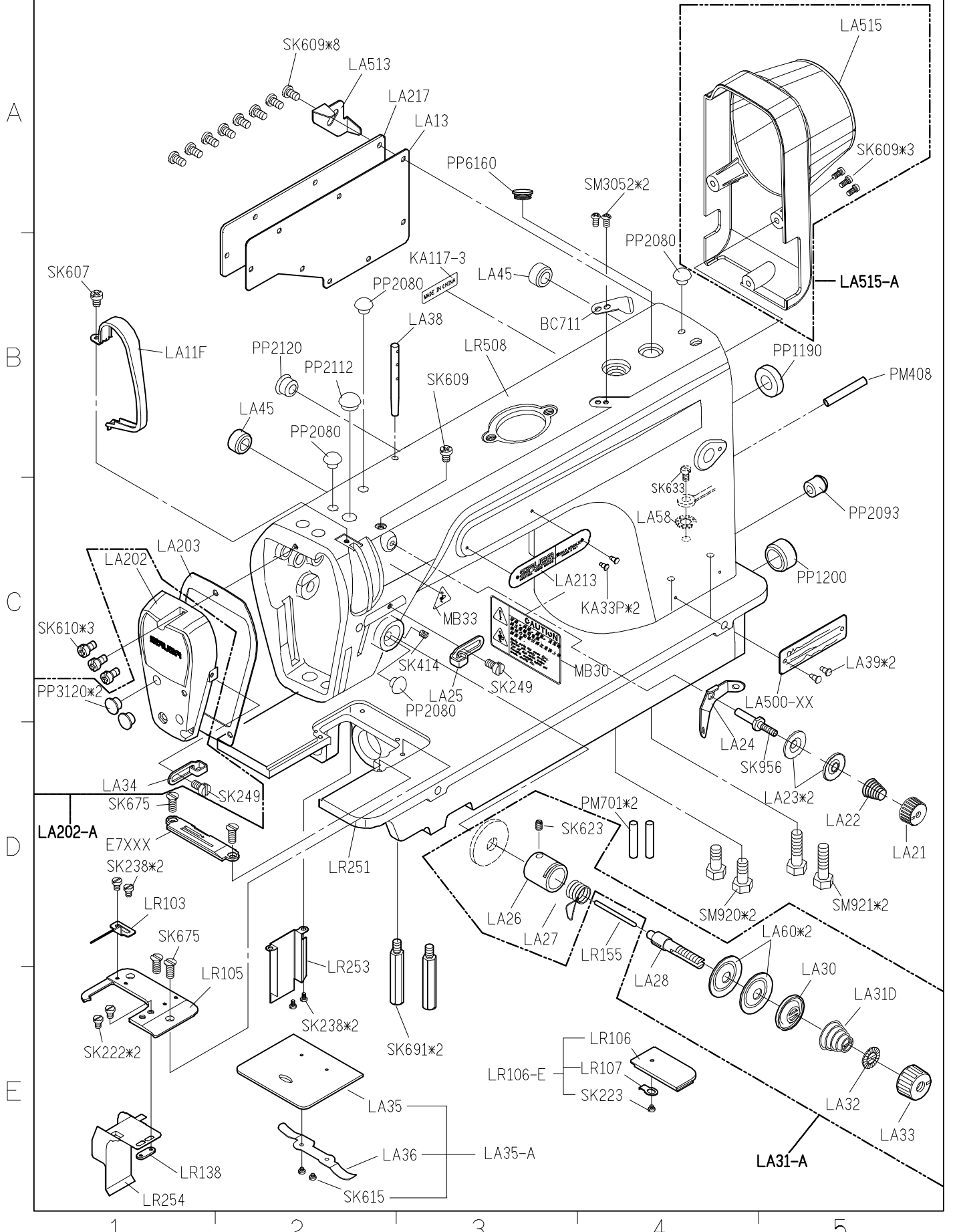
**Subclass / Remark**

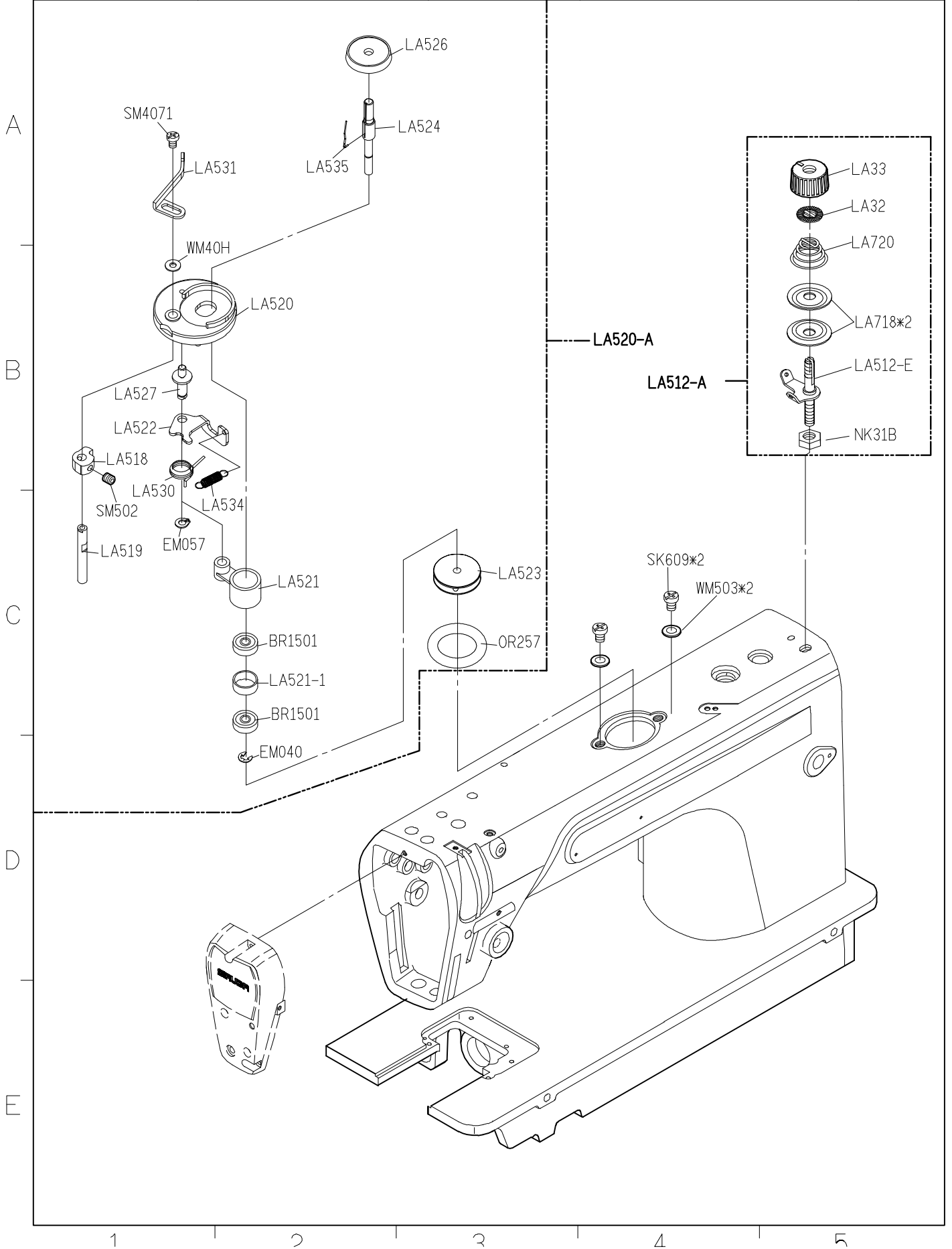
**Page**

**1/2**

**Date**

**2013/04/07**



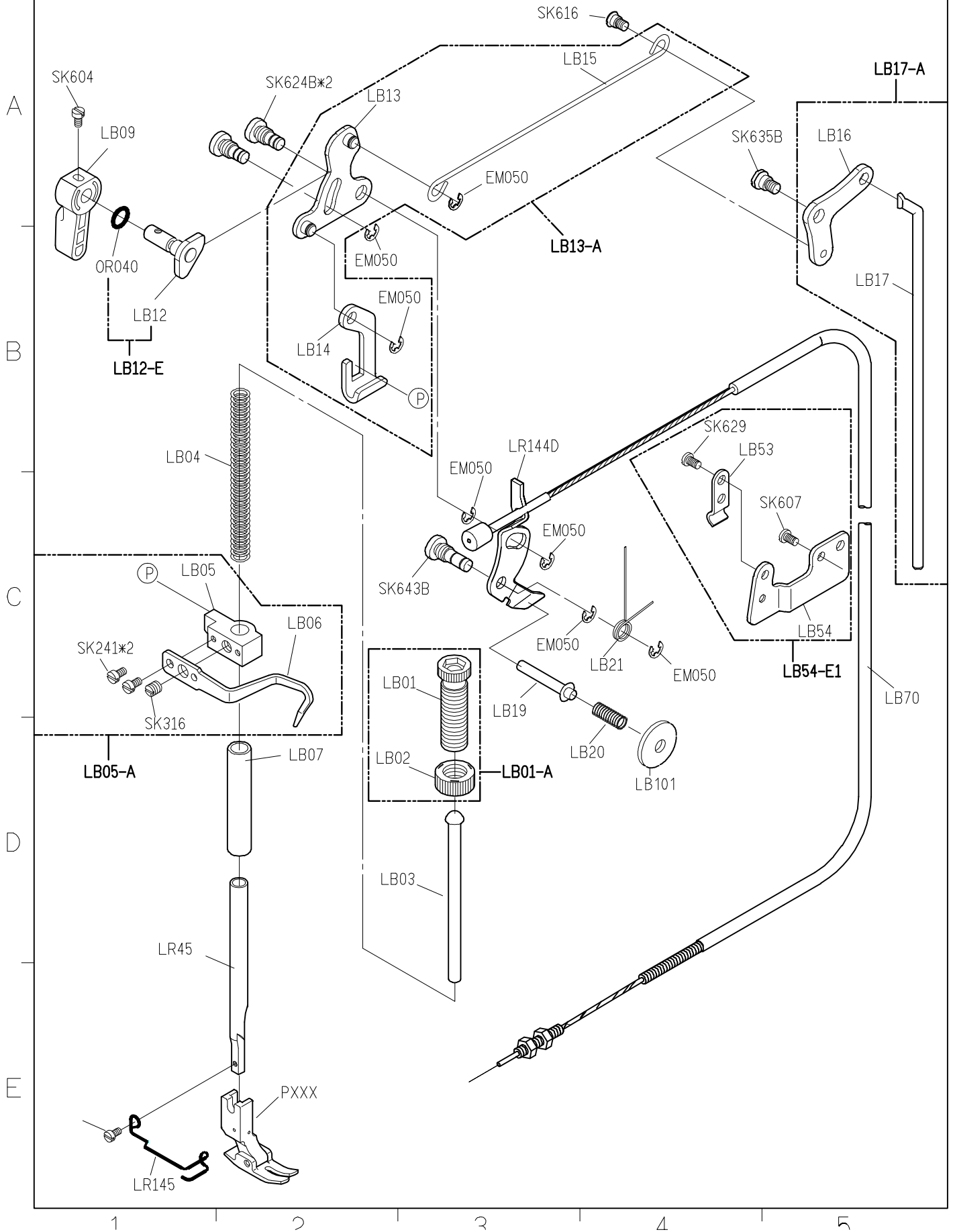


**SIRUBA****PARTS LIST****Series****DL918-RM1****Parts Group****LB****Subclass / Remark****Page**

1/1

**Date**

2012/09/12



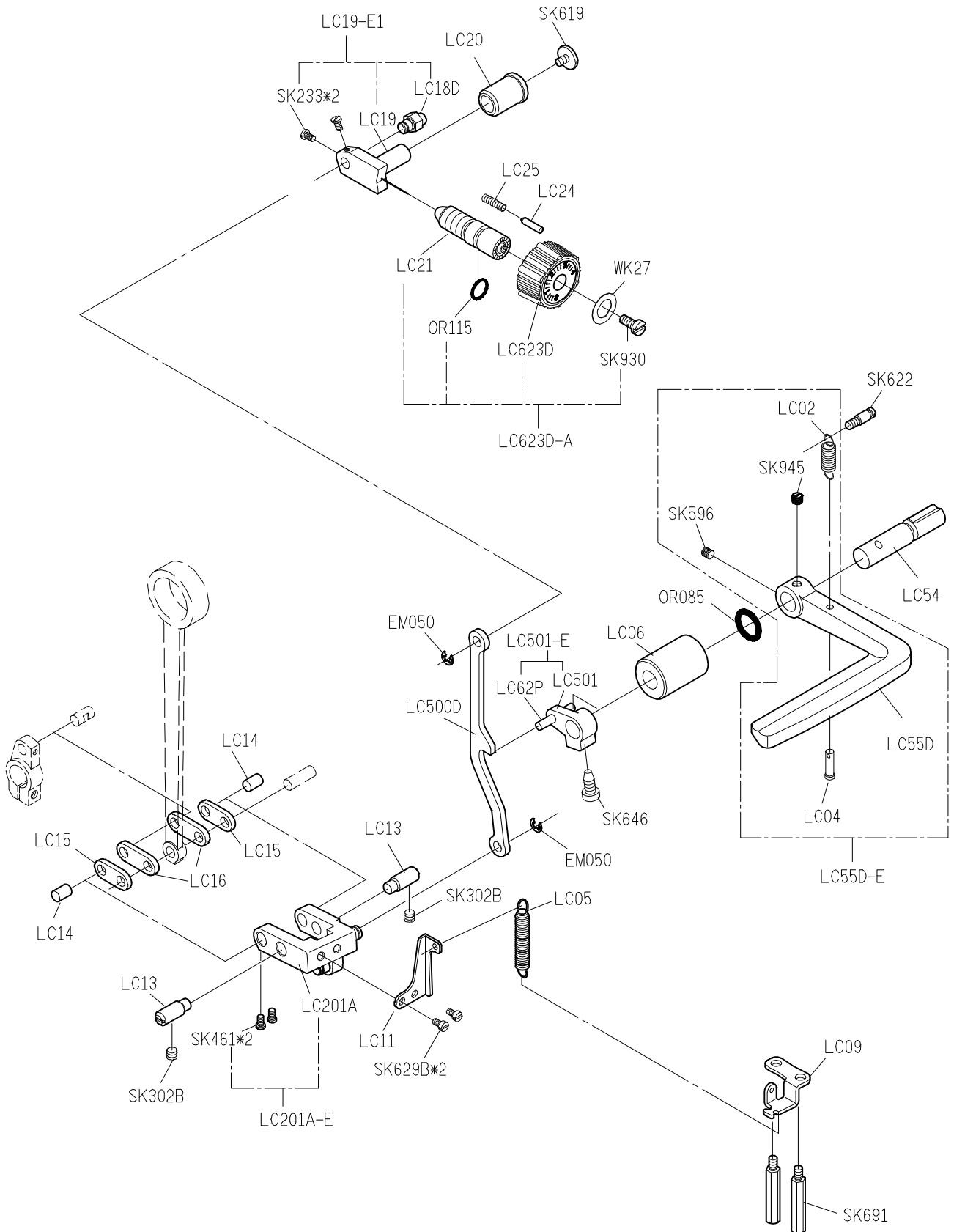
A

B

C

D

E



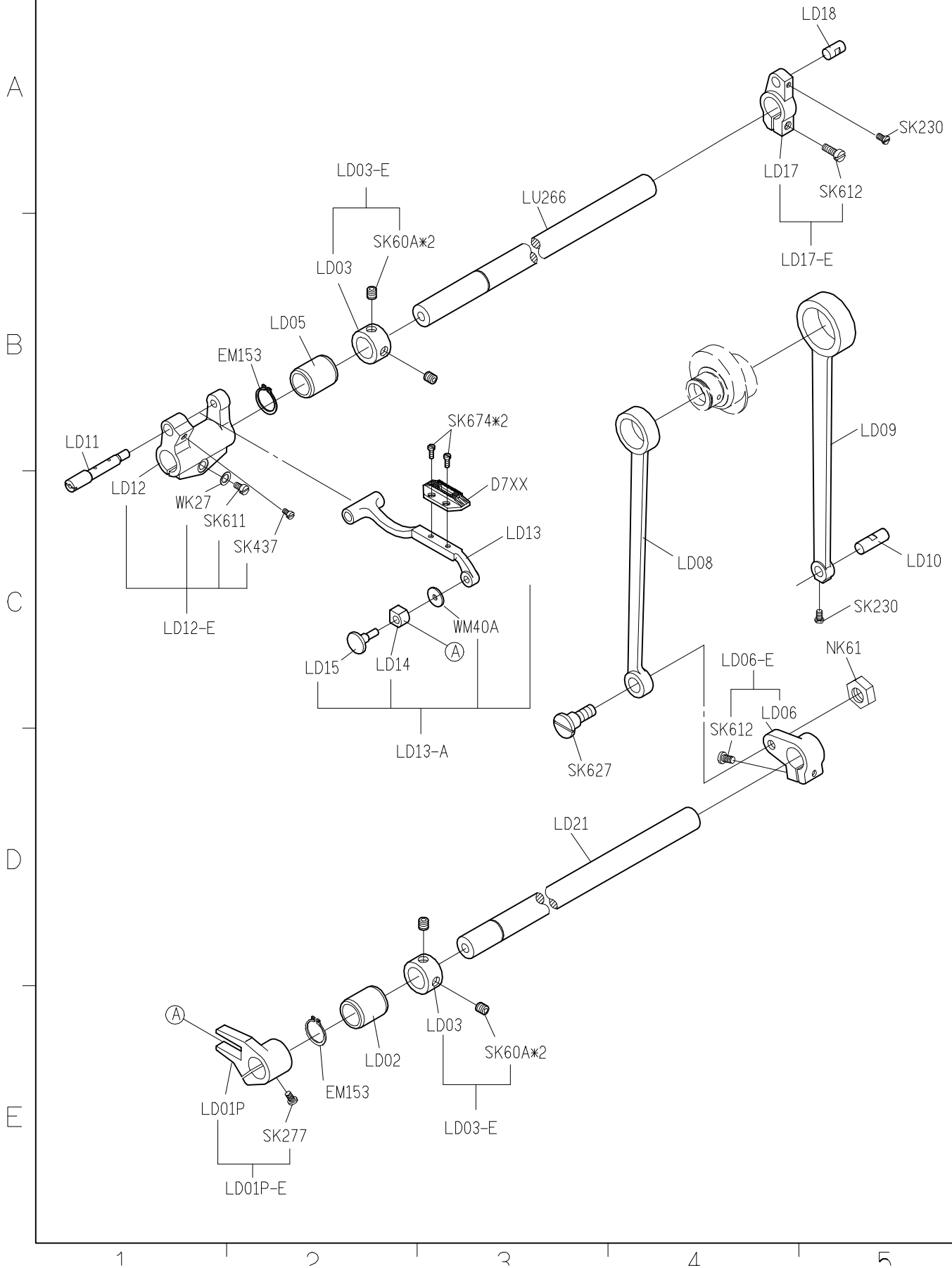
1

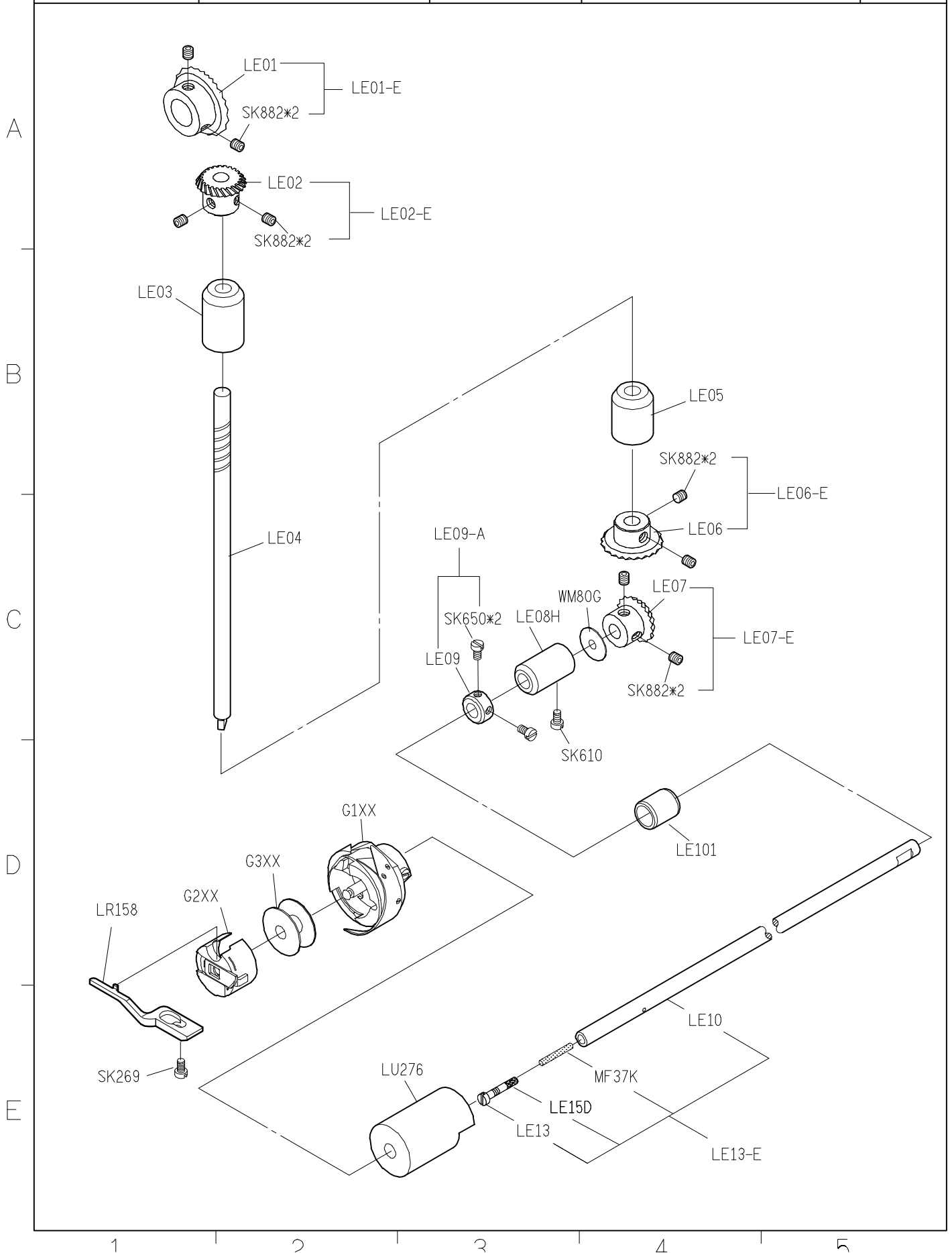
2

3

4

5







**SIRUBA**

**PARTS LIST**

**Series**

**DL918-RM1**

**Parts Group**

**LG**

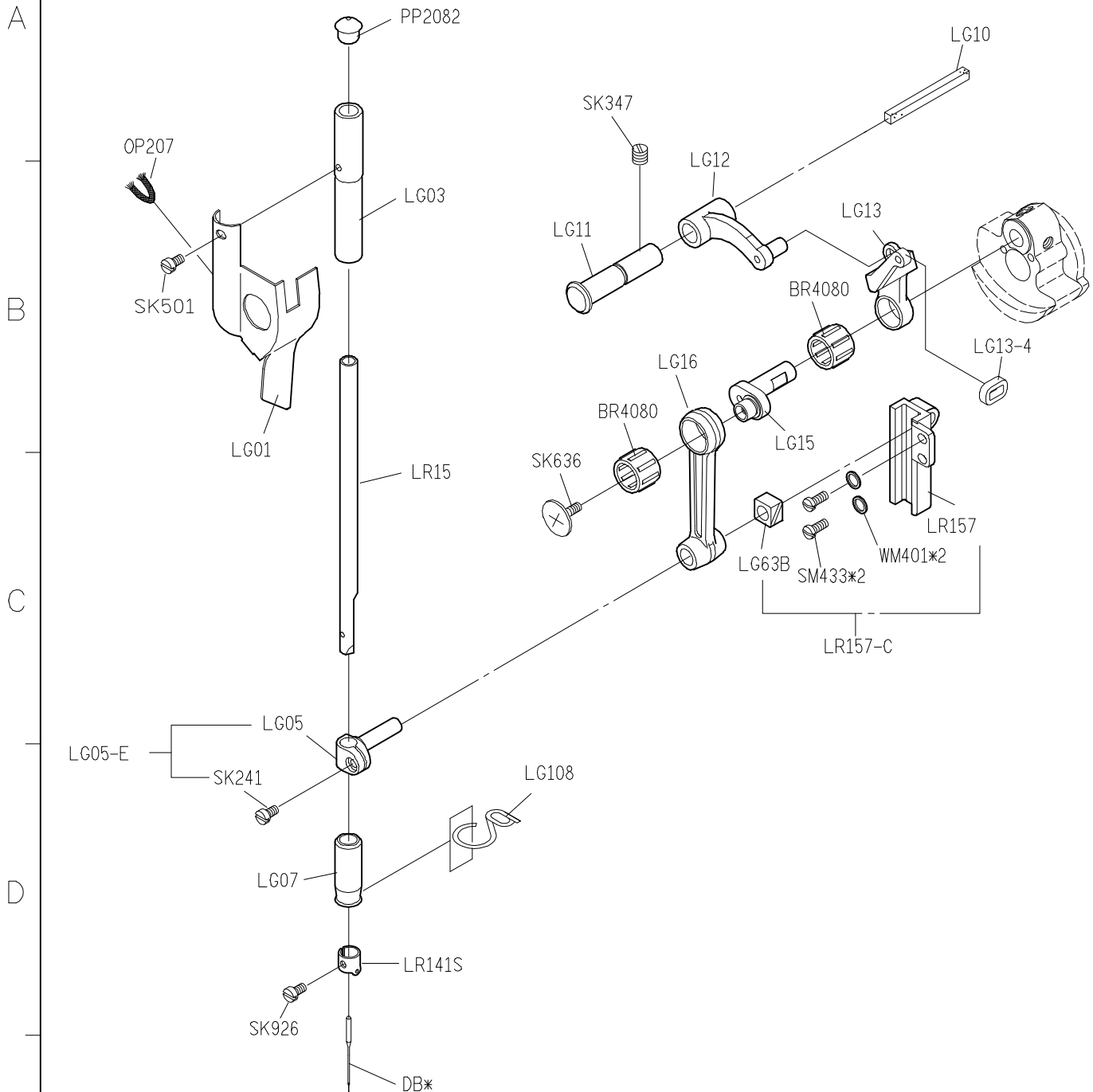
**Subclass / Remark**

**Page**

**1/1**

**Date**

**2012/09/12**



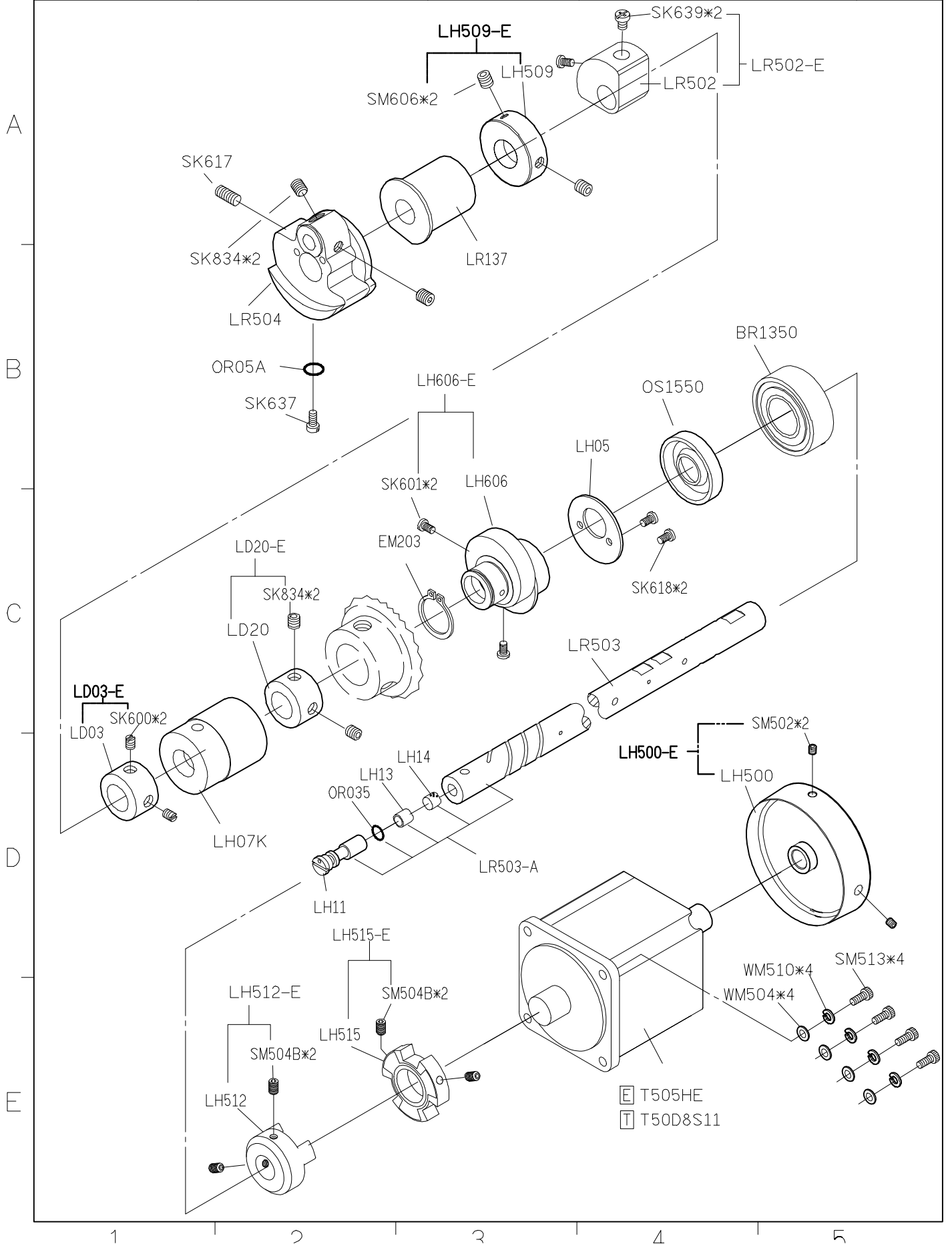
1

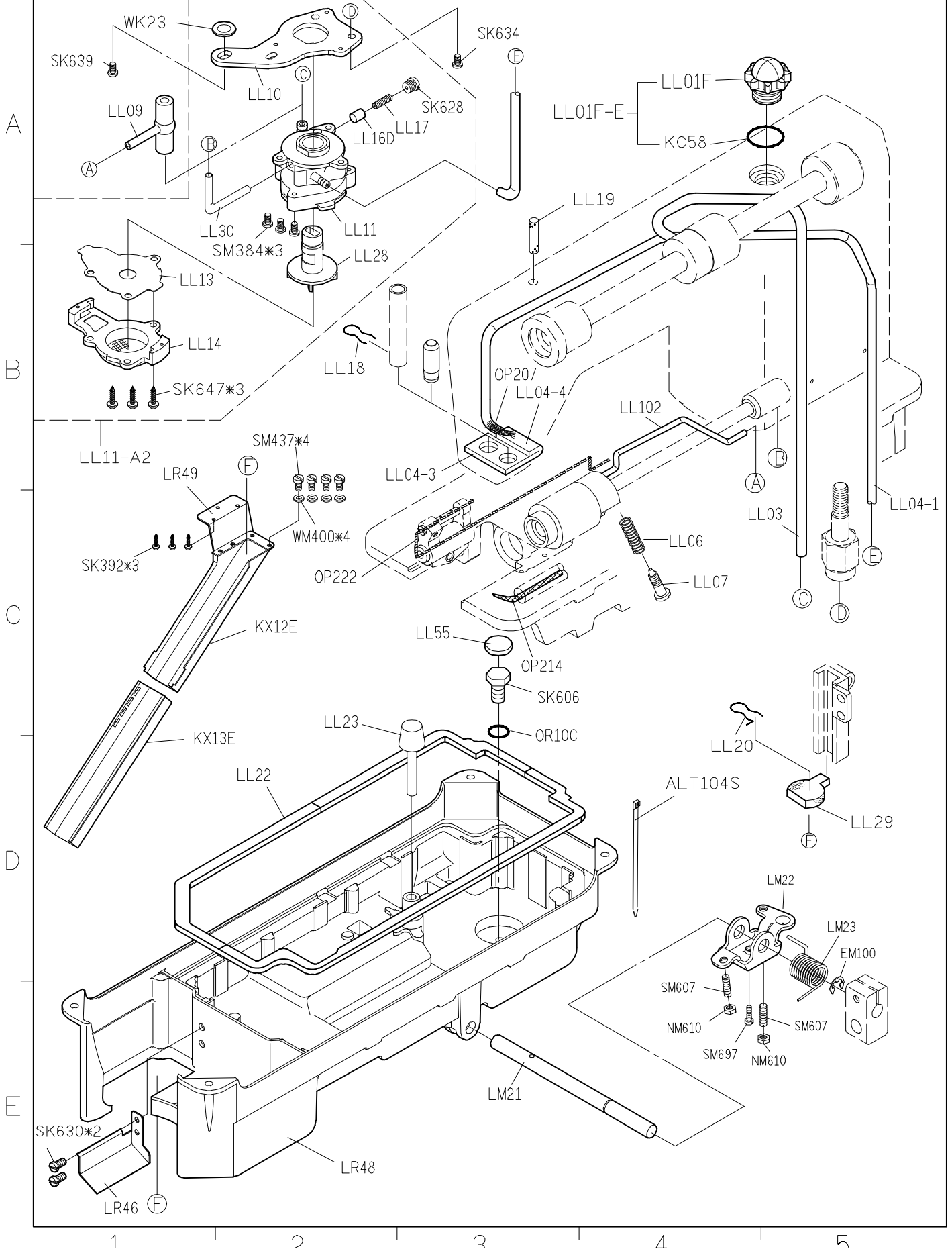
2

3

4

5



**SIRUBA****PARTS LIST****Series****DL918-RM1****Parts Group****LL****Subclass / Remark****Page****1/1****Date****2013/03/20**

**SIRUBA**

**PARTS LIST**

**Series**

**DL918-RM1**

**Parts Group**

**LR**

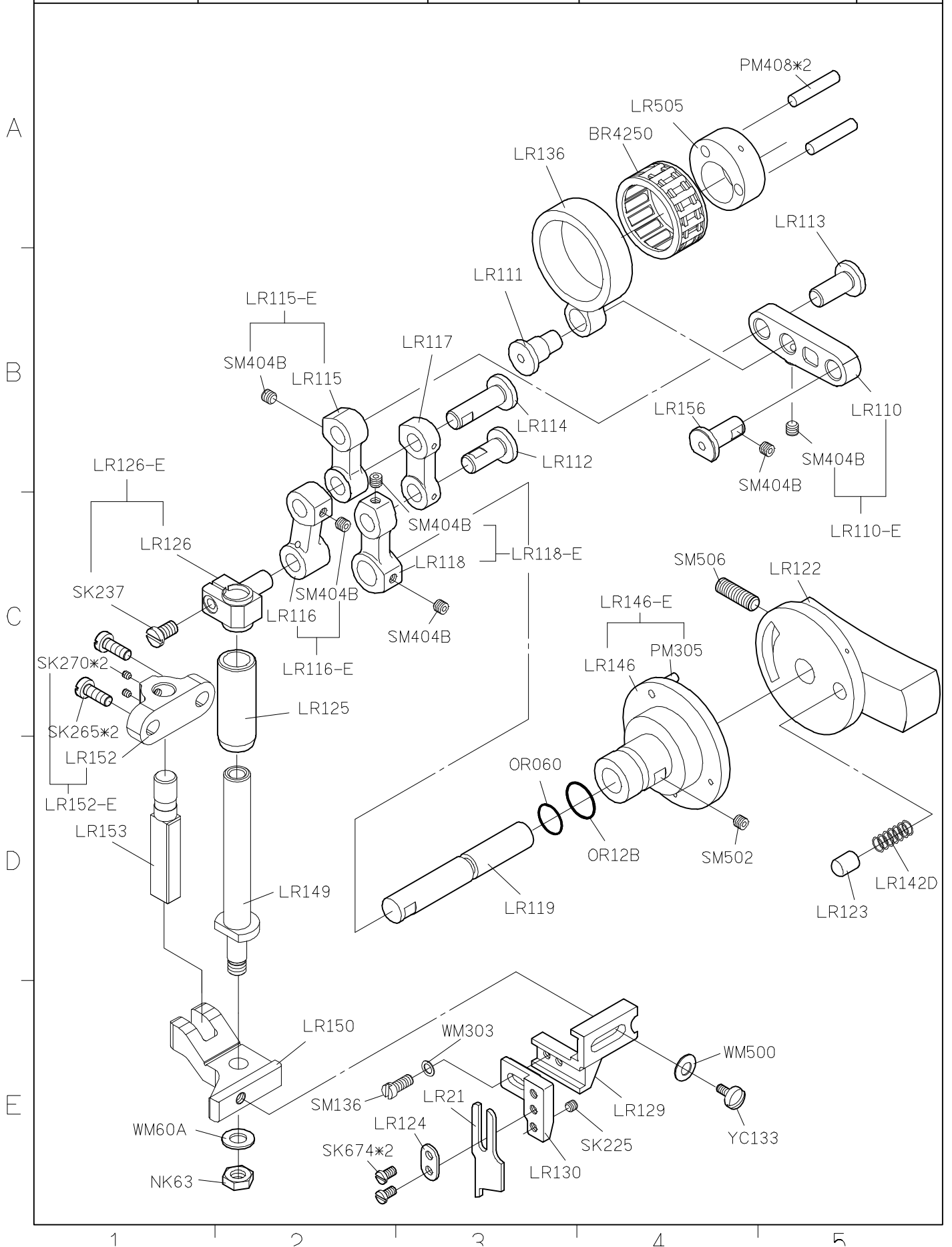
**Subclass / Remark**

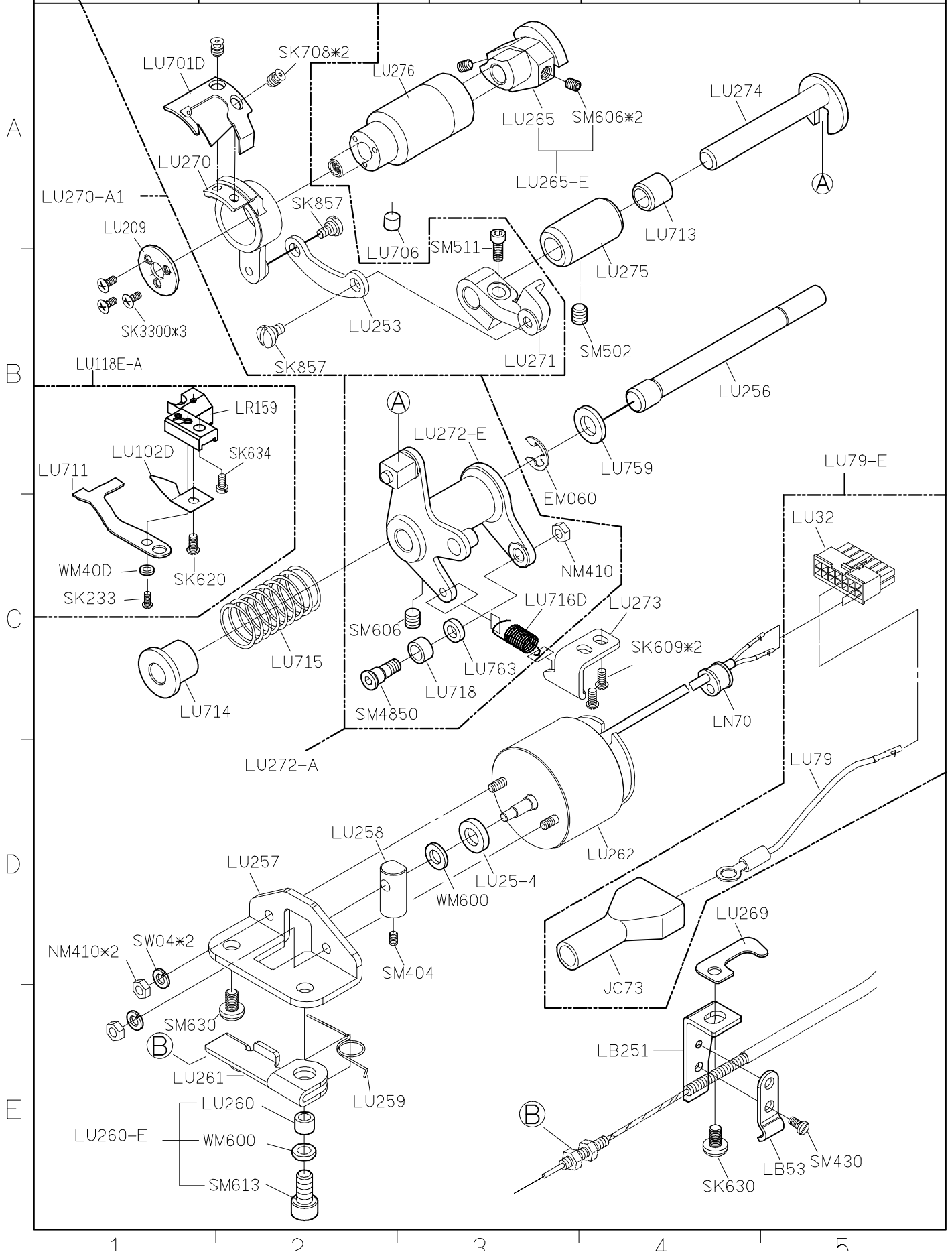
**Page**

**1/1**

**Date**

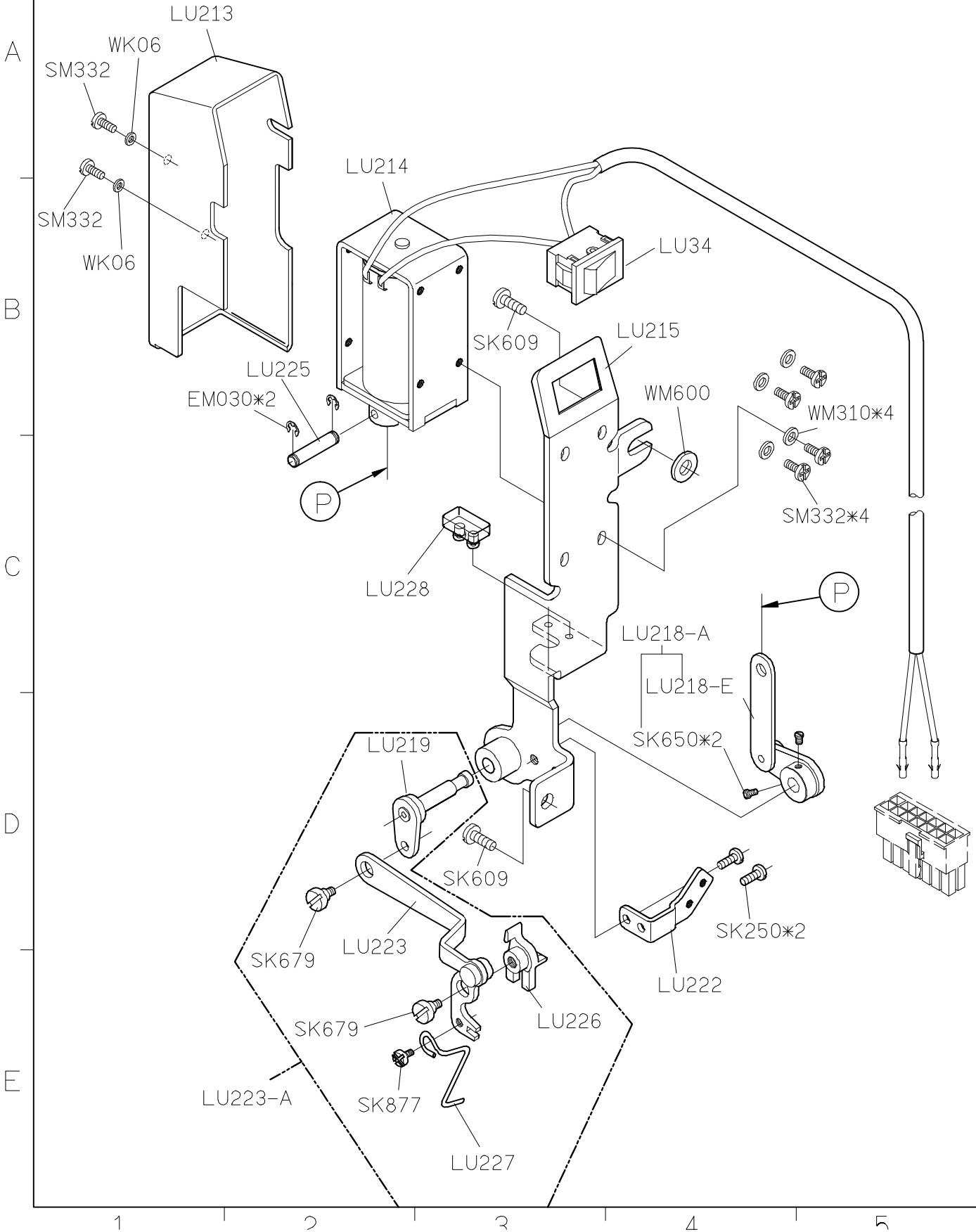
**2013/01/08**



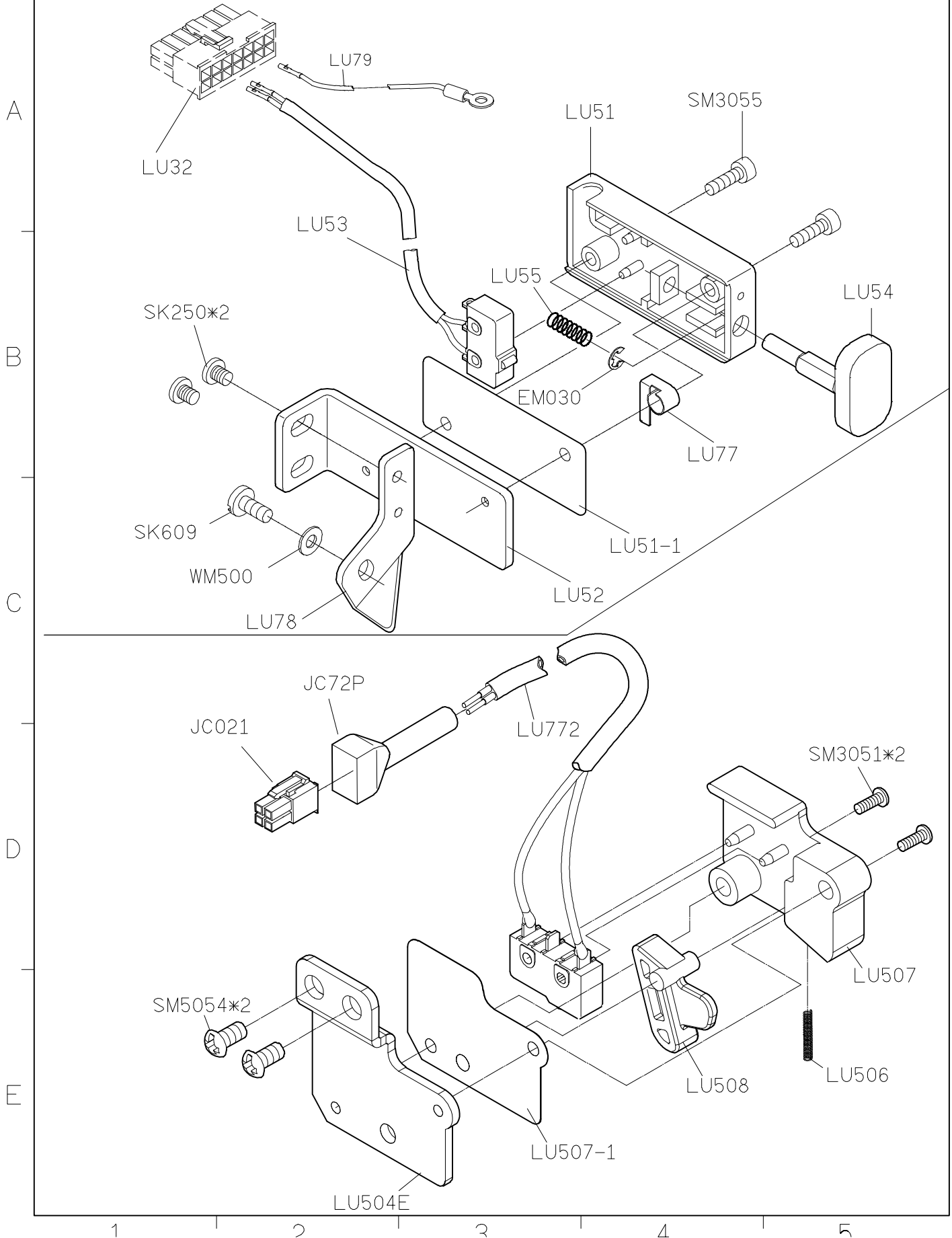


|                                        |                  |                    |                          |                   |
|----------------------------------------|------------------|--------------------|--------------------------|-------------------|
| <b>SIRUBA</b><br><br><b>PARTS LIST</b> | <b>Series</b>    | <b>Parts Group</b> | <b>Subclass / Remark</b> | <b>Page</b>       |
|                                        | <b>DL918-RM1</b> | <b>LU</b>          |                          | <b>2/7</b>        |
|                                        |                  |                    |                          | <b>Date</b>       |
|                                        |                  |                    |                          | <b>2012/11/01</b> |

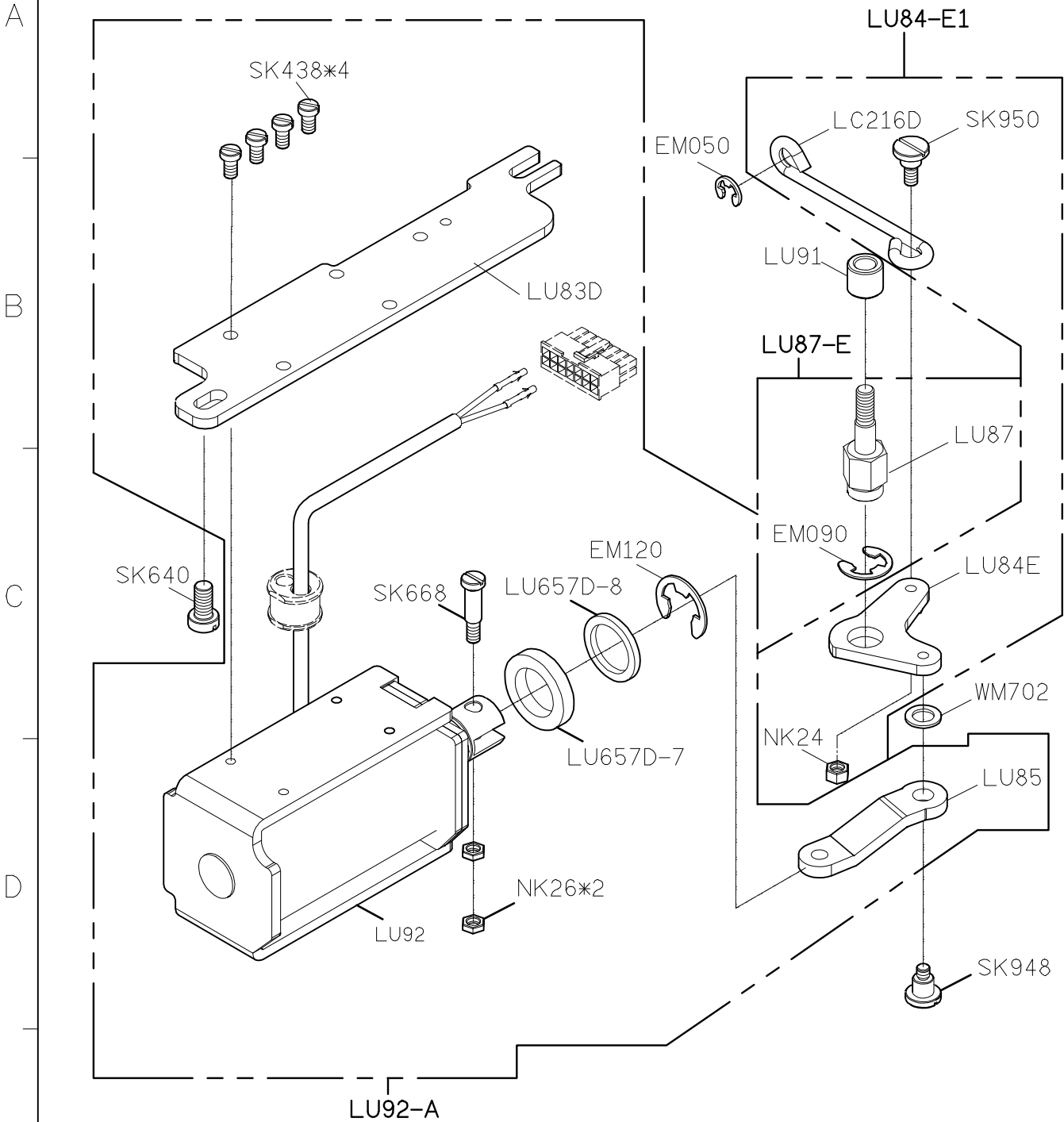
LU215-A



| SIRUBA<br>PARTS LIST | Series    | Parts Group | Subclass / Remark | Page       |
|----------------------|-----------|-------------|-------------------|------------|
|                      | DL918-RM1 | LU          |                   | 3/7        |
|                      |           |             |                   | Date       |
|                      |           |             |                   | 2012/11/01 |



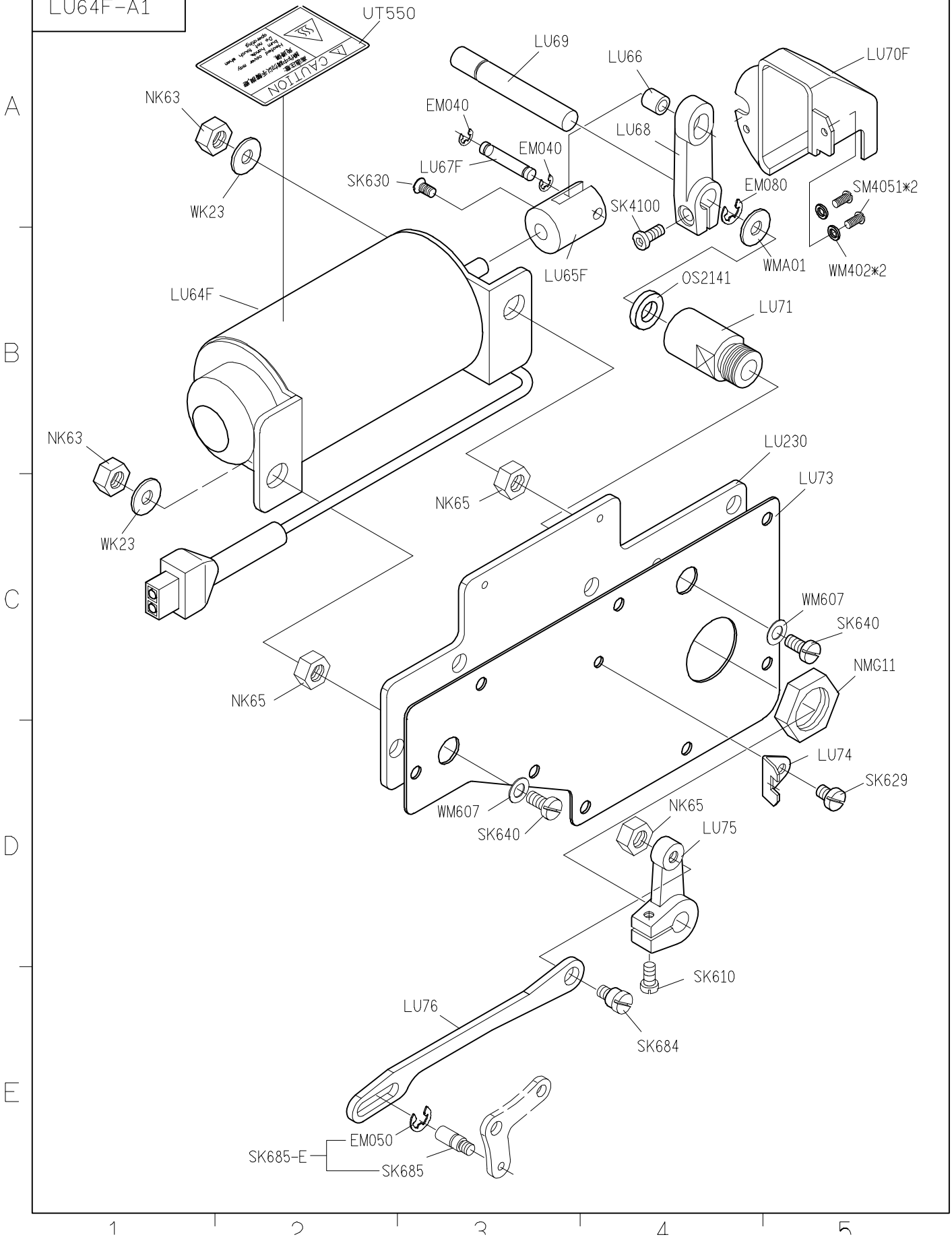
| SIRUBA<br>PARTS LIST | Series    | Parts Group | Subclass / Remark | Page       |
|----------------------|-----------|-------------|-------------------|------------|
|                      | DL918-RM1 | LU          |                   | 4/7        |
|                      |           |             |                   | Date       |
|                      |           |             |                   | 2012/11/08 |





|                                        |                  |                    |                          |                   |
|----------------------------------------|------------------|--------------------|--------------------------|-------------------|
| <b>SIRUBA</b><br><br><b>PARTS LIST</b> | <b>Series</b>    | <b>Parts Group</b> | <b>Subclass / Remark</b> | <b>Page</b>       |
|                                        | <b>DL918-RM1</b> | <b>LU</b>          |                          | <b>5/7</b>        |
|                                        |                  |                    |                          | <b>Date</b>       |
|                                        |                  |                    |                          | <b>2012/11/01</b> |

LU64F-A1

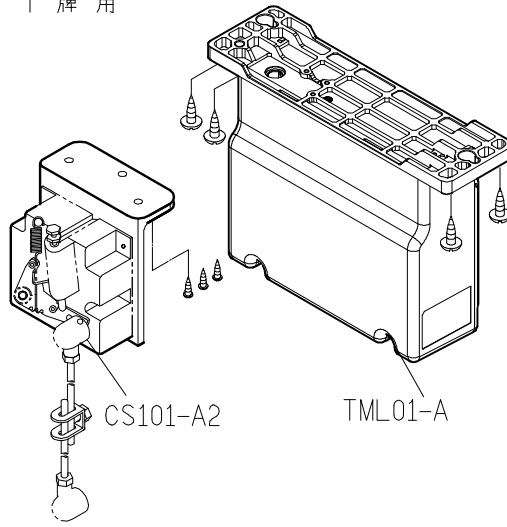


|                                        |                  |                    |                          |                   |
|----------------------------------------|------------------|--------------------|--------------------------|-------------------|
| <b>SIRUBA</b><br><br><b>PARTS LIST</b> | <b>Series</b>    | <b>Parts Group</b> | <b>Subclass / Remark</b> | <b>Page</b>       |
|                                        | <b>DL918-RM1</b> | <b>LU</b>          |                          | <b>6/7</b>        |
|                                        |                  |                    |                          | <b>Date</b>       |
|                                        |                  |                    |                          | <b>2012/11/01</b> |

↑ 牌 用

A

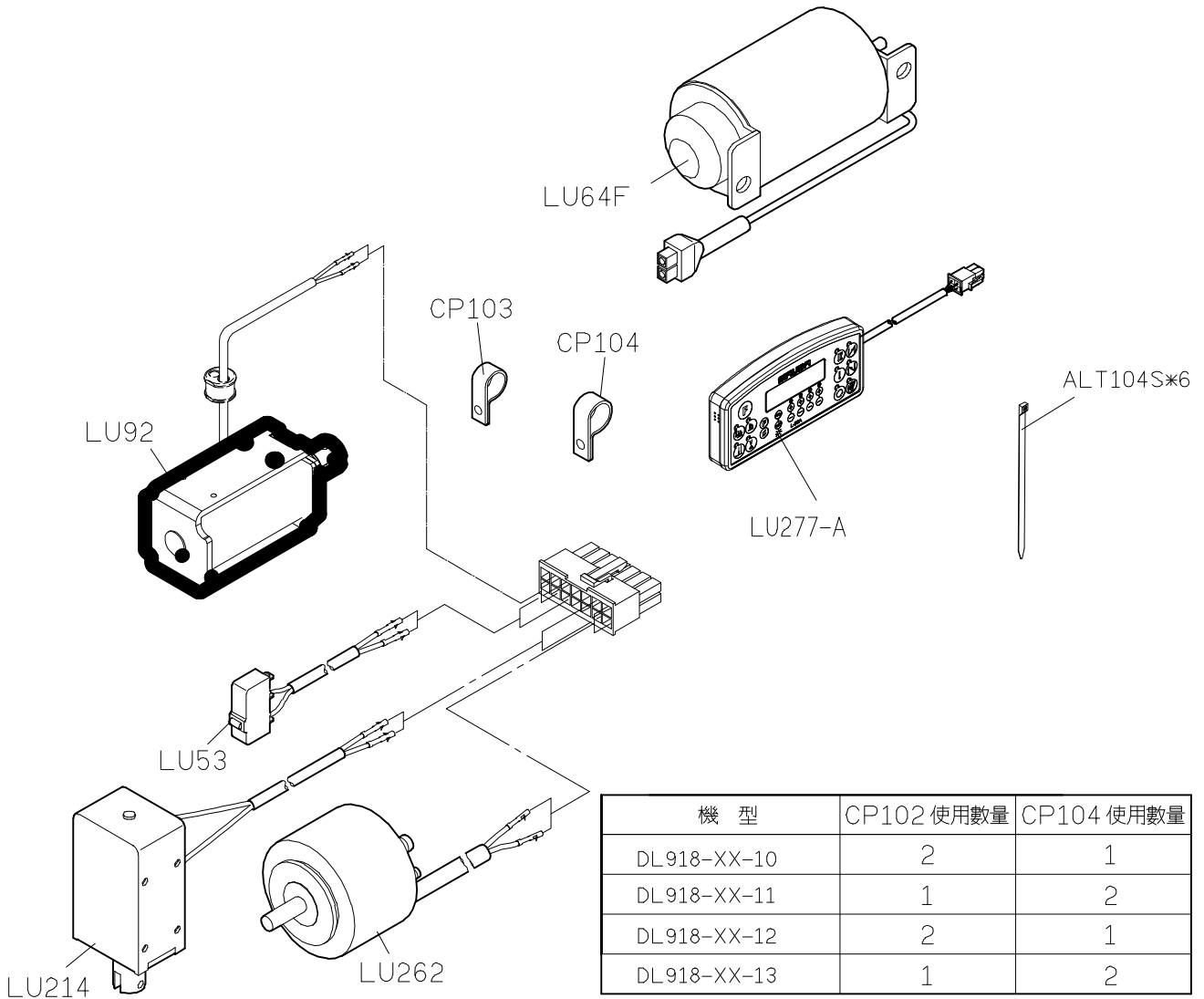
B



C

D

E



| 機 型         | CP102 使用數量 | CP104 使用數量 |
|-------------|------------|------------|
| DL918-XX-10 | 2          | 1          |
| DL918-XX-11 | 1          | 2          |
| DL918-XX-12 | 2          | 1          |
| DL918-XX-13 | 1          | 2          |

1

2

3

4

5

|                                        |                  |                    |                          |                   |
|----------------------------------------|------------------|--------------------|--------------------------|-------------------|
| <b>SIRUBA</b><br><br><b>PARTS LIST</b> | <b>Series</b>    | <b>Parts Group</b> | <b>Subclass / Remark</b> | <b>Page</b>       |
|                                        | <b>DL918-RM1</b> | <b>LU</b>          |                          | <b>7/7</b>        |
|                                        |                  |                    |                          | <b>Date</b>       |
|                                        |                  |                    |                          | <b>2012/11/01</b> |

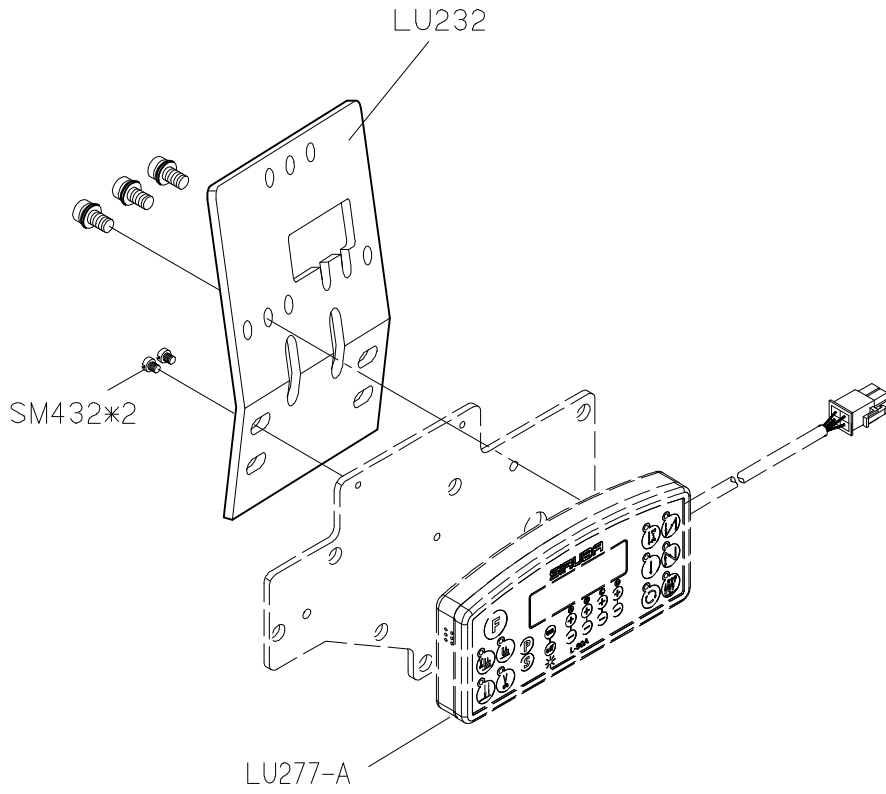
A

B

C

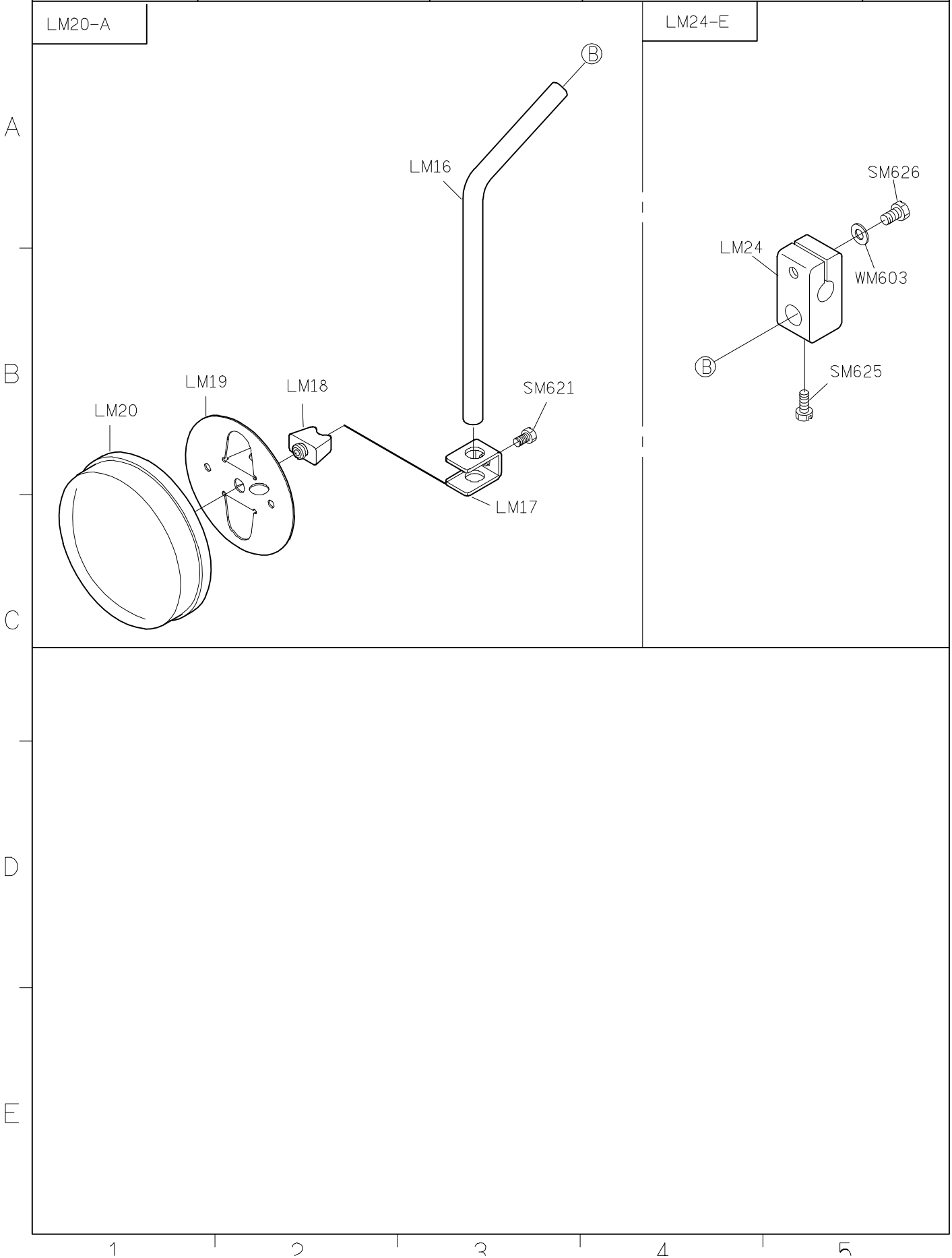
D

E

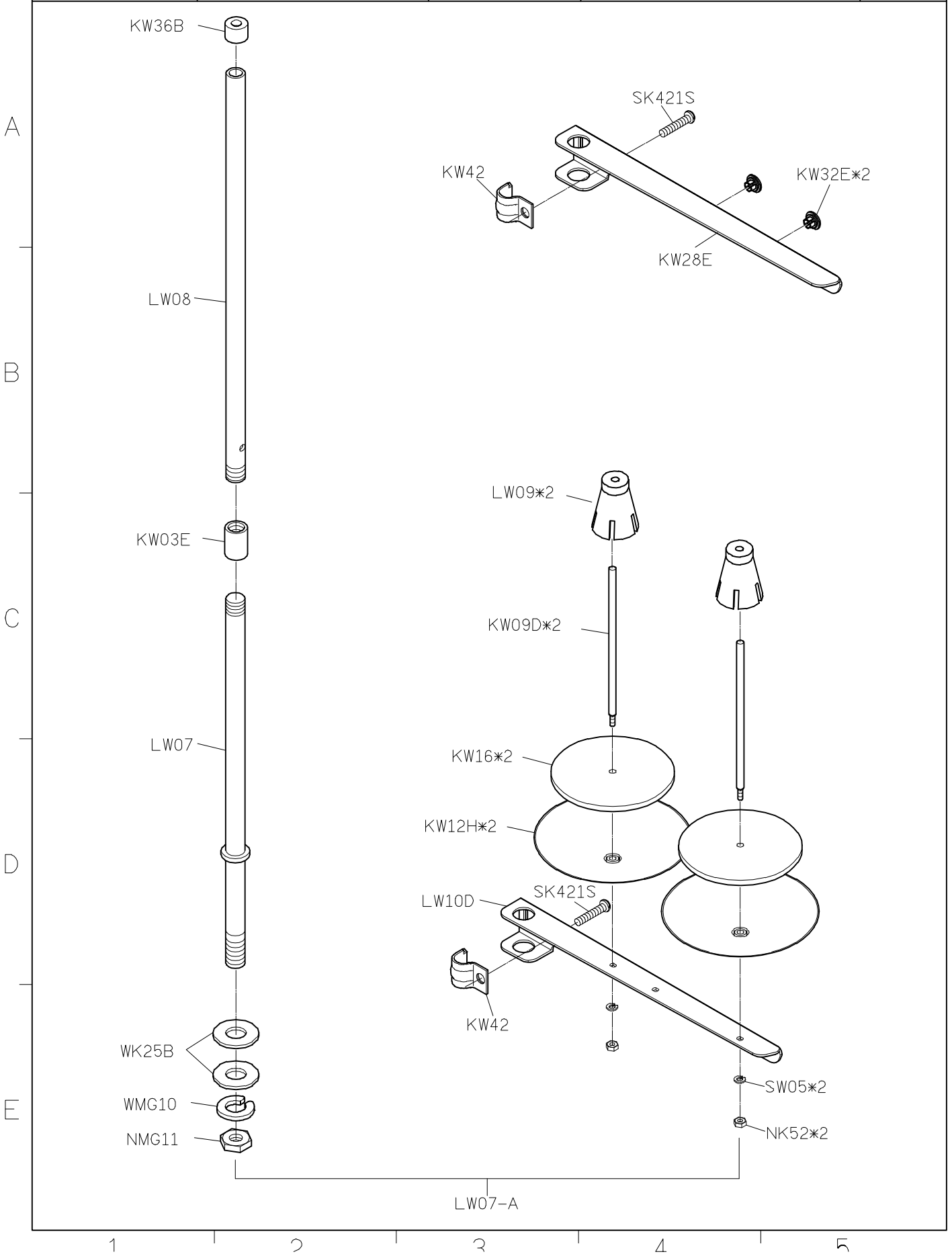


| 代碼<br>NO. | 操作面板<br>Control Panel | 代碼<br>NO. | 自動切線<br>Auto THREAD<br>Trimmer | 快速倒縫<br>Reverse<br>Feeding | 撥線桿<br>Wiper | 自動抬押具<br>Auto Lifer |
|-----------|-----------------------|-----------|--------------------------------|----------------------------|--------------|---------------------|
| 1         | LU277-A               | 0         | √                              | √                          | -            | -                   |
|           |                       | 1         | √                              | √                          | √            | -                   |
|           |                       | 2         | √                              | √                          | -            | √                   |
|           |                       | 3         | √                              | √                          | √            | √                   |

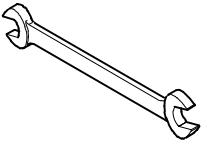

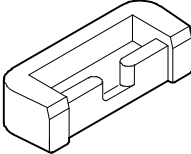
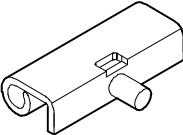

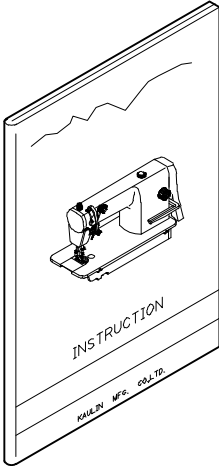
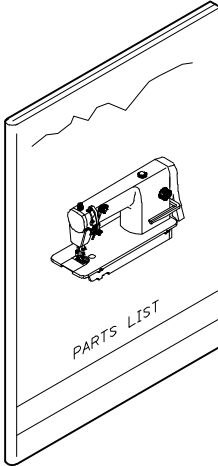
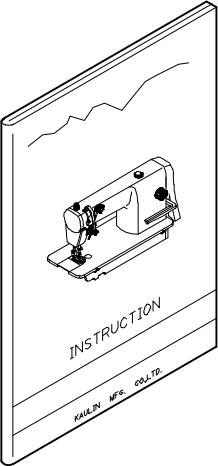
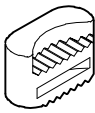




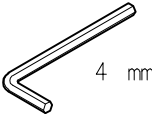
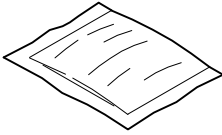
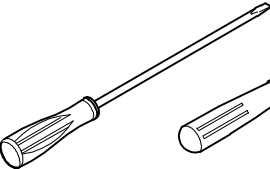
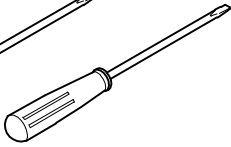
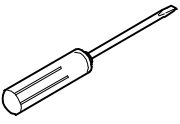

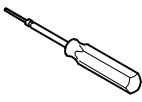

| <b>SIRUBA</b><br><b>PARTS LIST</b> | Series           | Parts Group | Subclass / Remark | Page       |
|------------------------------------|------------------|-------------|-------------------|------------|
|                                    | <b>DL918-RM1</b> | <b>LM</b>   |                   | 1/1        |
|                                    |                  |             |                   | Date       |
|                                    |                  |             |                   | 2012/11/01 |



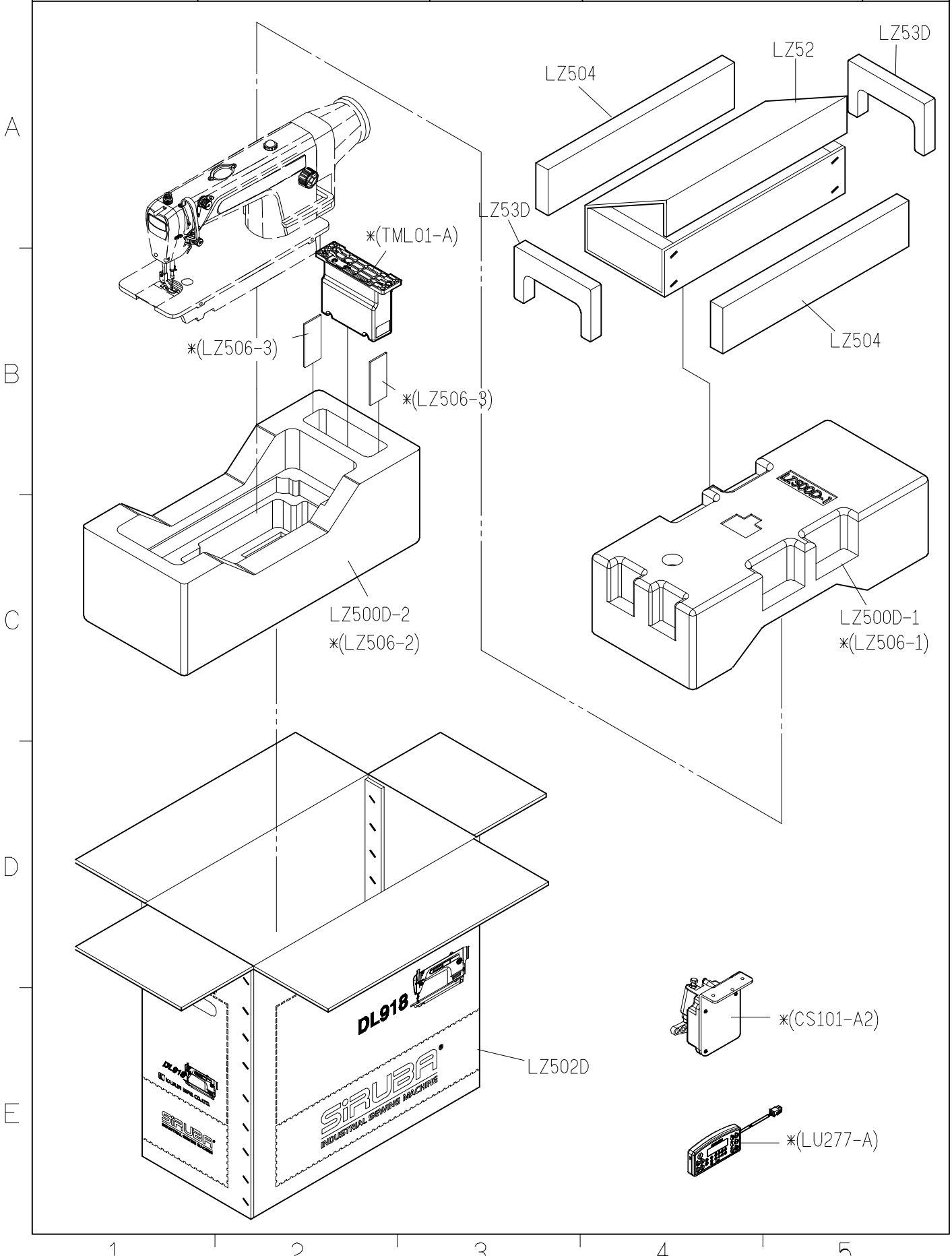
| SIRUBA<br>PARTS LIST | Series    | Parts Group | Subclass / Remark | Page       |
|----------------------|-----------|-------------|-------------------|------------|
|                      | DL918-RM1 | LW          |                   | 1/1        |
|                      |           |             |                   | Date       |
|                      |           |             |                   | 2013/04/10 |



|                                    |                  |                    |                          |                   |
|------------------------------------|------------------|--------------------|--------------------------|-------------------|
| <b>SIRUBA</b><br><b>PARTS LIST</b> | <b>Series</b>    | <b>Parts Group</b> | <b>Subclass / Remark</b> | <b>Page</b>       |
|                                    | <b>DL918-RM1</b> | <b>LY</b>          |                          | <b>1/1</b>        |
|                                    |                  |                    |                          | <b>Date</b>       |
|                                    |                  |                    |                          | <b>2012/11/01</b> |

|                       |                                                                                     |                                                                                     |                                                                                     |                                                                                      |                                                                                       |                                                                                       |
|-----------------------|-------------------------------------------------------------------------------------|-------------------------------------------------------------------------------------|-------------------------------------------------------------------------------------|--------------------------------------------------------------------------------------|---------------------------------------------------------------------------------------|---------------------------------------------------------------------------------------|
| A<br>B<br>C<br>D<br>E | LY01                                                                                | LY02                                                                                | YM04*2                                                                              | LY05*2                                                                               | YM102*2                                                                               |                                                                                       |
|                       |    |    |    |    |    |                                                                                       |
|                       | LY219                                                                               | LY525                                                                               | LY501                                                                               | YM103*2                                                                              |                                                                                       |                                                                                       |
|                       |   |   |  |   |                                                                                       |                                                                                       |
|                       |                                                                                     |                                                                                     |                                                                                     | G303                                                                                 |  |                                                                                       |
|                       | 針*2                                                                                 | LY38                                                                                | KY201                                                                               | MY12                                                                                 | KZ03*1                                                                                |                                                                                       |
|                       |  |  |  |  |  |                                                                                       |
|                       | LY33                                                                                | LY34                                                                                | LY35                                                                                | LY37-A                                                                               | KY14                                                                                  | ALT104S*2                                                                             |
|                       |  |  |  |   |  |  |
|                       | 1                                                                                   | 2                                                                                   | 3                                                                                   | 4                                                                                    | 5                                                                                     |                                                                                       |

| <b>SIRUBA</b><br><b>PARTS LIST</b> | Series    | Parts Group | Subclass / Remark | Page       |
|------------------------------------|-----------|-------------|-------------------|------------|
|                                    | DL918-RM1 | LZ          |                   | 1/1        |
|                                    |           |             |                   | Date       |
|                                    |           |             |                   | 2012/12/22 |



**SIRUBA**  
TABLE  
CUT - OUT

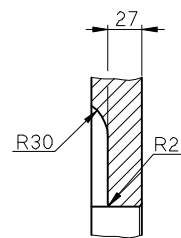
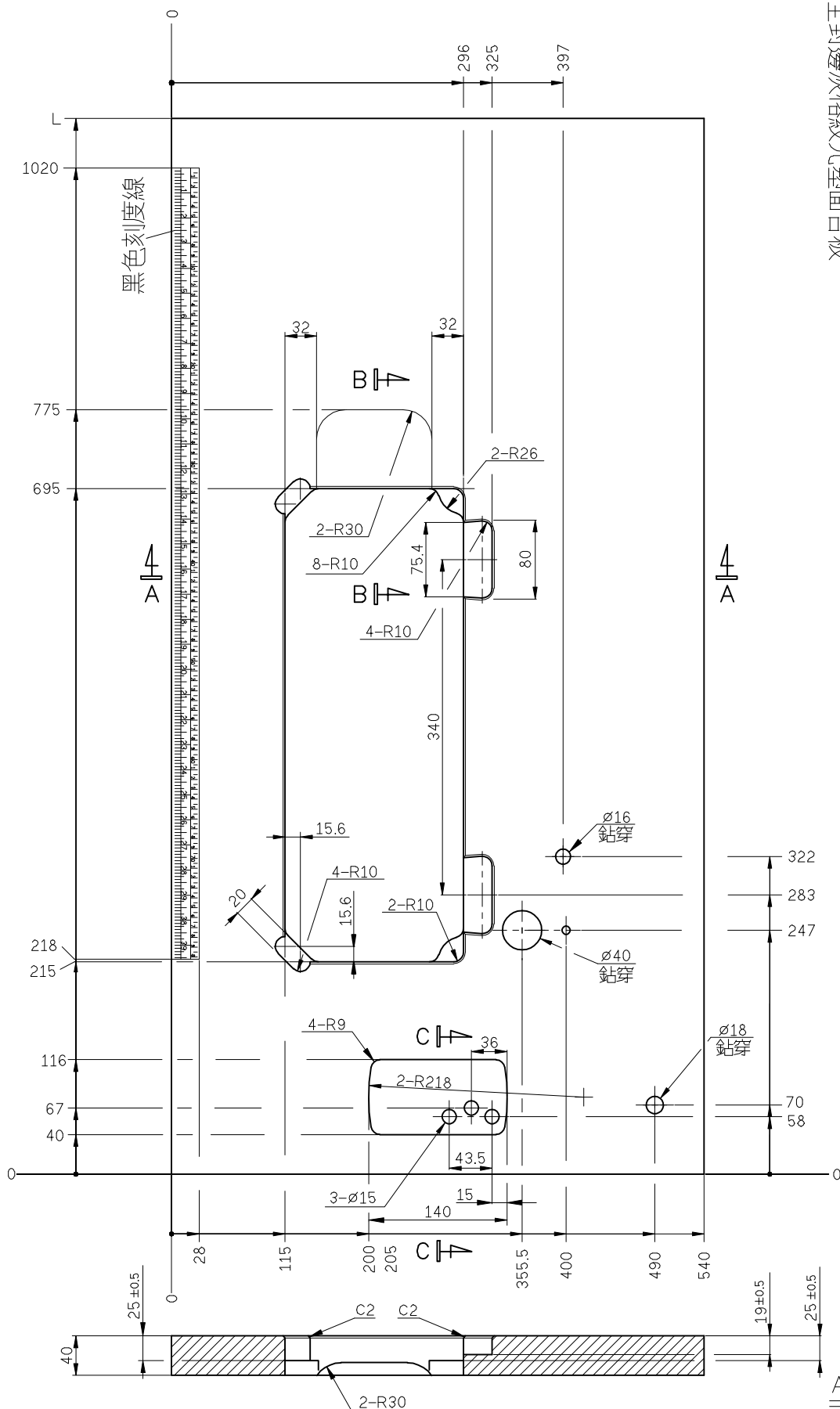
Series  
**DL7000**  
**DL6800**

Item Code  
**DL7000T-T1**

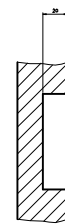
Subclass / Remark

Mounting  
Fully-submerged  
Date  
**2014/12/4**

單針高速直驅式平縫下乘式車板圖  
TABLE CUT-OUT SEMI-SUBMERGED  
單位/UNIT:mm  
所有尺寸公差/DIFFERENCE:±2  
DL7000T-T1-1070 長度(L):1070 / 重量:10kg±5%  
DL7000T-T1 長度(L):1200 / 重量:11.4kg±5%  
全封邊灰格紋光塑面台板



B-B 剖面



C-C 剖面

A-A 剖面