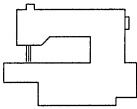
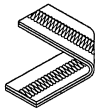
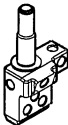
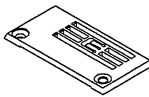
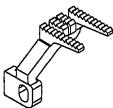
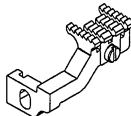
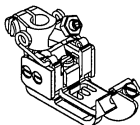

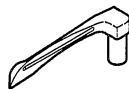

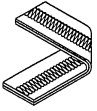
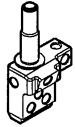
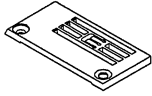
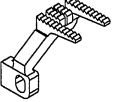
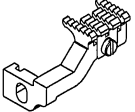
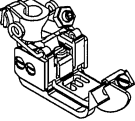



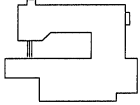
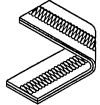
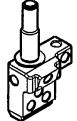
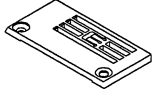
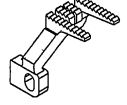
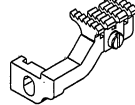
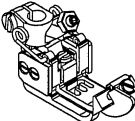



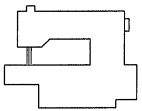
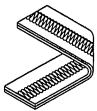
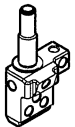
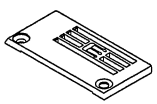
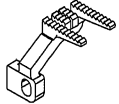
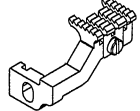
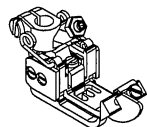



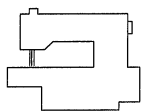
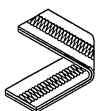
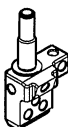
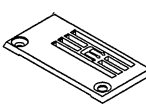
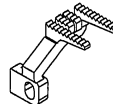
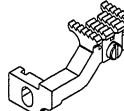
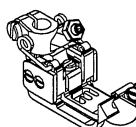





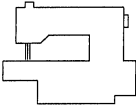
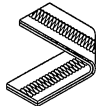
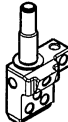
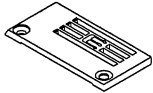
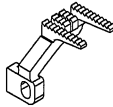
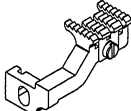
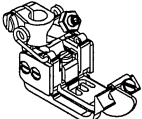



SIRUBA GAGE PARTS LIST		Series			Remark					Page	Date	
		C007K/C007KD C858K								1 / 7	2016/9/7	
												
MODEL		SUB-CLASS	NEEDLE CLAMP	NEEDLE PLATE	MAIN FEED DOG	DIFF. FEED DOG	PRESSER FOOT	SPREADER	LOOPER	NEEDLE		
機 型		規 格	針 座	針 板	主 送 具	差 送 具	押 具	上 叉	勾 針	針 號		
C007K(KD) C858K	W121/CH			E5232KL E5240KL E5248KL E5348KL E5356KL E5364KL	D5356K	H5356KA-E	P5232A-A P5240A-A P5248A-A P5348A-A P5356A-A1 P5364A-A1	MH41	MT01	UYX128GAS#9		
	W122/CH	232 240 248 348 356 364	M5232 M5240 M5248 M5348KX M5356 M5364	E5232KM E5240KM E5248KM E5348KM E5356KM E5364KM						UYX128GAS#10		
	W122/CH-3M	356 364	M5356 M5364	E5356KM E5364KM						P2456-A P2457-A		
	W123/CH	232 240 248 348 356 364	M5232 M5240 M5248 M5348KX M5356 M5364	E5232KH E5240KH E5248KH E5348KH E5356KH E5364KH						P5232A-A P5240A-A P5248A-A P5348A-A P5356A-A1 P5364A-A1		
	W152/CZ/UTP/RLQ	356 364	M5356 M5364	E5356GM E5364GM						D5356G	H5356L	P2416-A P2417-A
	W152/CZP/RLQ											

SIRUBA MODEL COMPARE LIST		Series				Remark				Page	Date	
		C007K/C007KD C858K								2 / 7	2016/9/7	
												
MODEL		SUB-CLASS	NEEDLE CLAMP	NEEDLE PLATE	MAIN FEED DOG	DIFF. FEED DOG	PRESSER FOOT	SPREADER	LOOPER	NEEDLE		
機 型		規 格	針 座	針 板	主 送 具	差 送 具	押 具	上 叉	勾 針	針 號		
C007K(KD) C858K	W162/CH	240 248 348 356 364	M5240 M5248 M5348KX M5356 M5364	E5240KHA E5248KHA E5348KHA E5356KHA E5364KHA	D5356K	H5356KA-E	P5240A-A P5248A-A P5348A-A P5356A-A1 P5364A-A1	MH41	MT01A	TV*5#14~16		
	W222/CQ	240 248 356 364	M5240 M5248 M5356 M5364	E5240GM E5248GM E5356GM E5364GM	D5356G	H5356GA	P1814K-A P1815K-A P2116K-A P2117K-A	MH41	MT01	UYX128GAS#10		
	W222/CQA/CLA	256 356	M5356	E2326Q	D2110	H2220Q	P2906Q-A	MH41	MT01A	TVX5#14		
	W322/CC	356 364	M5356 M5364	E5356AM E5364AM	D5356K	H5356AA	P2456-A P2457-A	MH41	MT01	UYX128GAS#10		
	W322/CE			E5356BM E5364BM		H5356BA						
C007K C858K	W512/FE(FFC)	232 240 356 364	M5232 M5240 M5356 M5364	E5232FM E5240FM E5356FM E5364FM	D5356K	H5356KA-E	P2913-A P2914-A P3216-A P3217-A				MT01	
	U512/FE(FFC)	240 356 364	M5240 M5356 M5364	E5240FM E5356FM E5364FM			P3414-A P3716-A P3717-A					

SIRUBA GAGE PARTS LIST		Series				Remark				Page	Date
		C007K/C007KD C858K								3 / 7	2016/9/7
											
MODEL		SUB-CLASS	NEEDLE CLAMP	NEEDLE PLATE	MAIN FEED DOG	DIFF. FEED DOG	PRESSER FOOT	SPREADER	LOOPER	NEEDLE	
機 型		規 格	針 座	針 板	主 送 具	差 送 具	押 具	上 叉	勾 針	針 號	
C007K C858K	W522/FE(FFC)/CR	232 240 248 348 356 364	M5232 M5240 M5248 M5348KX M5356 M5364	E5232CH E5240CH E5248CH E5348CH E5356CH E5364CH	D5356C	H5356CA	P3813R-A1 P5240C-A1 P5248C-A1 P5348C-A1 P3816R-A1 P3817R-A1	MH41	MT01	UYX128GAS#10	
C007K(KD) C858K	W522/CR						P5232R-A P5240R-A P5248R-A P5348R-A P5356R-A P5364R-A				
	W532/CR/UTP/CL/RLP/CX										
C007K C858K	W542/CFC/CL/FH/2(3A)	240 248 356 364	M5240 M5248 M5356 M5364	E2324P E2325P E2326P E2327P	D2109 D2110	H2219 H2220	P2904-A P2905-A P2906-A P2907-A				
C007K(KD) C858K	W811/CRL	232 240 248 356 364	M5232 M5240 M5248 M5356 M5364	E5232ML E5240ML E5248ML E5356ML E5364ML	D5356H	H5356MA	P2763-A P2764-A P2765-A P2766-A P2767-A	—		UYX128GAS#9	
	U811/CRL						P0963-A P0964-A P0965-A P0966-A P0967-A				

SiRUBA MODEL COMPARE LIST		Series			Remark			Page	Date	
		C007K/C007KD C858K			W812 /W813 : 4rof teeth W812A/W813A : 5rof teeth			4 / 7	2016/9/7	
										
MODEL		SUB-CLASS	NEEDLE CLAMP	NEEDLE PLATE	MAIN FEED DOG	DIFF. FEED DOG	PRESSER FOOT	SPREADER	LOOPER	NEEDLE
機 型		規 格	針 座	針 板	主 送 具	差 送 具	押 具	上 叉	勾 針	針 號
C007K(KD) C858K	W811A/CRL	232 240 248 356 364	M5232 M5240 M5248 M5356 M5364	E5232NL E5240NL E5248NL E5356NL E5364NL	D5356H	H5356NA	P2763-A P2764-A P2765-A P2766-A P2767-A	MH41	MT01	UYX128GAS#9
	U811A/CRL						P0963-A P0964-A P0965-A P0966-A P0967-A	—		
	W812/CRL			E5232MM E5240MM E5248MM E5356MM E5364MM		H5356MA	P2763-A P2764-A P2765-A P2766-A P2767-A	MH41		UYX128GAS#10
	U812/CRL						P0963-A P0964-A P0965-A P0966-A P0967-A	—		
	W812A/CRL			E5232NM E5240NM E5248NM E5356NM E5364NM		H5356NA	P2763-A P2764-A P2765-A P2766-A P2767-A	MH41		
	U812A/CRL						P0963-A P0964-A P0965-A P0966-A P0967-A	—		

SIRUBA GAGE PARTS LIST		Series				Remark			Page	Date
		C007K/C007KD C858K							6 / 7	2016/9/7
										
MODEL		SUB-CLASS	NEEDLE CLAMP	NEEDLE PLATE	MAIN FEED DOG	DIFF. FEED DOG	PRESSER FOOT	SPREADER	LOOPER	NEEDLE
機 型		規 格	針 座	針 板	主 送 具	差 送 具	押 具	上 叉	勾 針	針 號
C007K(KD) C858K	W821A/CRL/CHP/UTP/CL/RL	232 240 248 356 364	M5232 M5240 M5248 M5356 M5364	E5232NL E5240NL E5248NL E5356NL E5364NL	D5356H	H5356NA	P2763-A P2764-A P2765-A P2766-A P2767-A	MH41	MT01	UYX128GAS#9
	U821A/CRL/CHP/UTP/CL/RL						P0963-A P0964-A P0965-A P0966-A P0967-A	—		
	W822/CRL/CHP/UTP/CL/RL			P2763-A P2764-A P2765-A P2766-A P2767-A		MH41	UYX128GAS#10			
	U822/CRL/CHP/UTP/CL/RL			P0963-A P0964-A P0965-A P0966-A P0967-A		—				
	W822A/CRL/CHP/UTP/CL/RL			E5232NM E5240NM E5248NM E5356NM E5364NM		H5356NA	P2763-A P2764-A P2765-A P2766-A P2767-A	MH41		
	U822A/CRL/CHP/UTP/CL/RL						P0963-A P0964-A P0965-A P0966-A P0967-A	—		

SIRUBA GAGE PARTS LIST		Series				Remark				Page	Date
		C007K/C007KD C858K								7/7	2016/9/7
											
MODEL		SUB-CLASS	NEEDLE CLAMP	NEEDLE PLATE	MAIN FEED DOG	DIFF. FEED DOG	PRESSER FOOT	SPREADER	LOOPER	NEEDLE	
機 型		規 格	針 座	針 板	主 送 具	差 送 具	押 具	上 叉	勾 針	針 號	
C007K(KD) C858K	W823/CRL/CHP/UTP/CL/RL			E5232MH E5240MH E5248MH E5356MH E5364MH		H5356MA	P2763-A P2764-A P2765-A P2766-A P2767-A	MH41	MT01	UYX128GAS#10	
	U823/CRL/CHP/UTP/CL/RL						P0963-A P0964-A P0965-A P0966-A P0967-A	—			
	W823A/CRL/CHP/UTP/CL/RL	232 240 248 356 364	M5232 M5240 M5248 M5356 M5364	E5232NH E5240NH E5248NH E5356NH E5364NH		D5356H	H5356NA	P2763-A P2764-A P2765-A P2766-A P2767-A			MH41
	U823A/CRL/CHP/UTP/CL/RL	P0963-A P0964-A P0965-A P0966-A P0967-A	—								
	W922/CW	456 460 464	M5456K M5460K M5464K	E5456KM E5460KM E5464KM		D5456K	H5456KA-E	P5456K-A P5460K-A P5464K-A			MH41

SIRUBA

PARTS LIST

Series

C007K/C007KD
C858K

Parts Group

MF-K

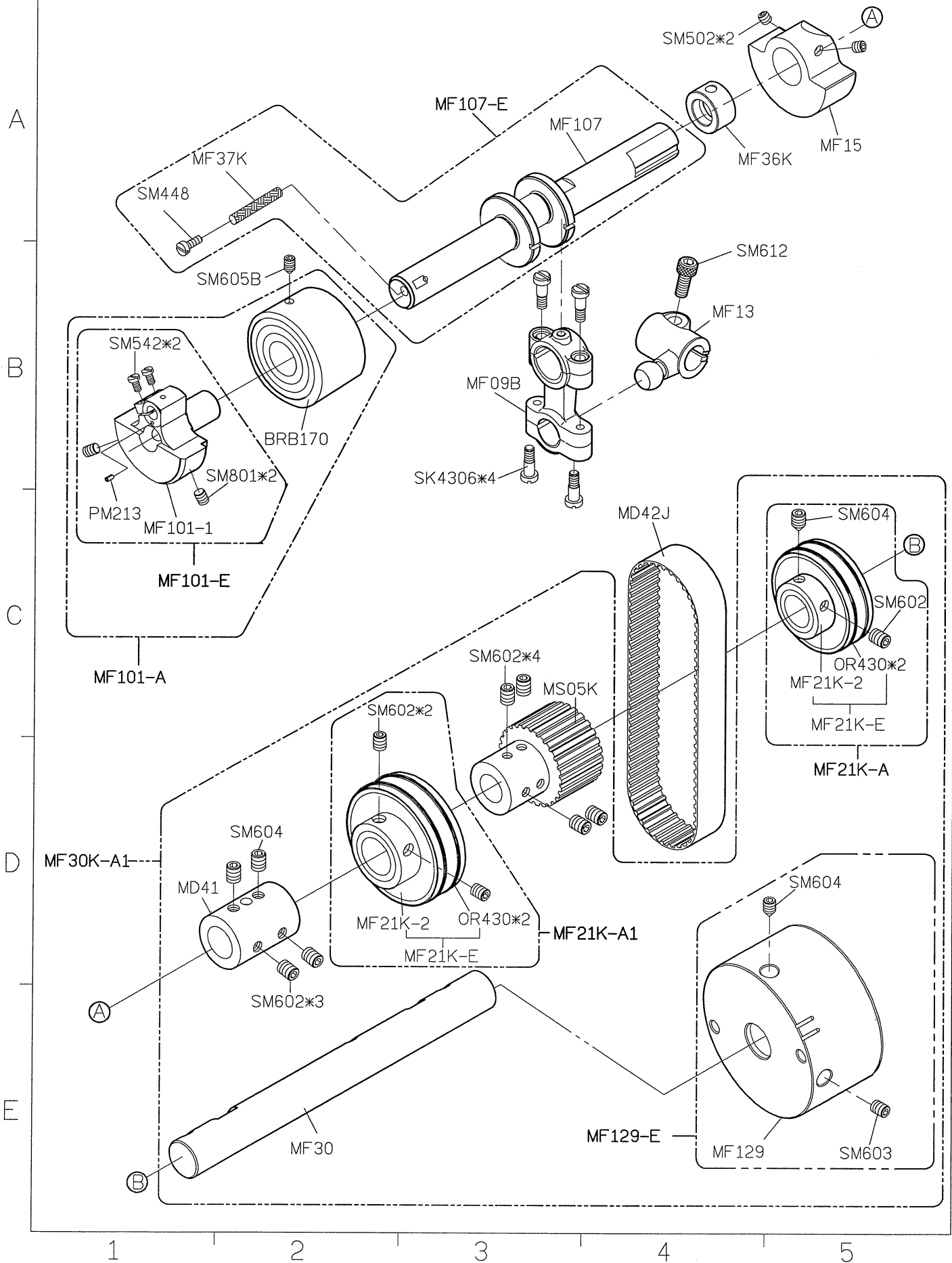
Subclass / Remark

Page

1/1

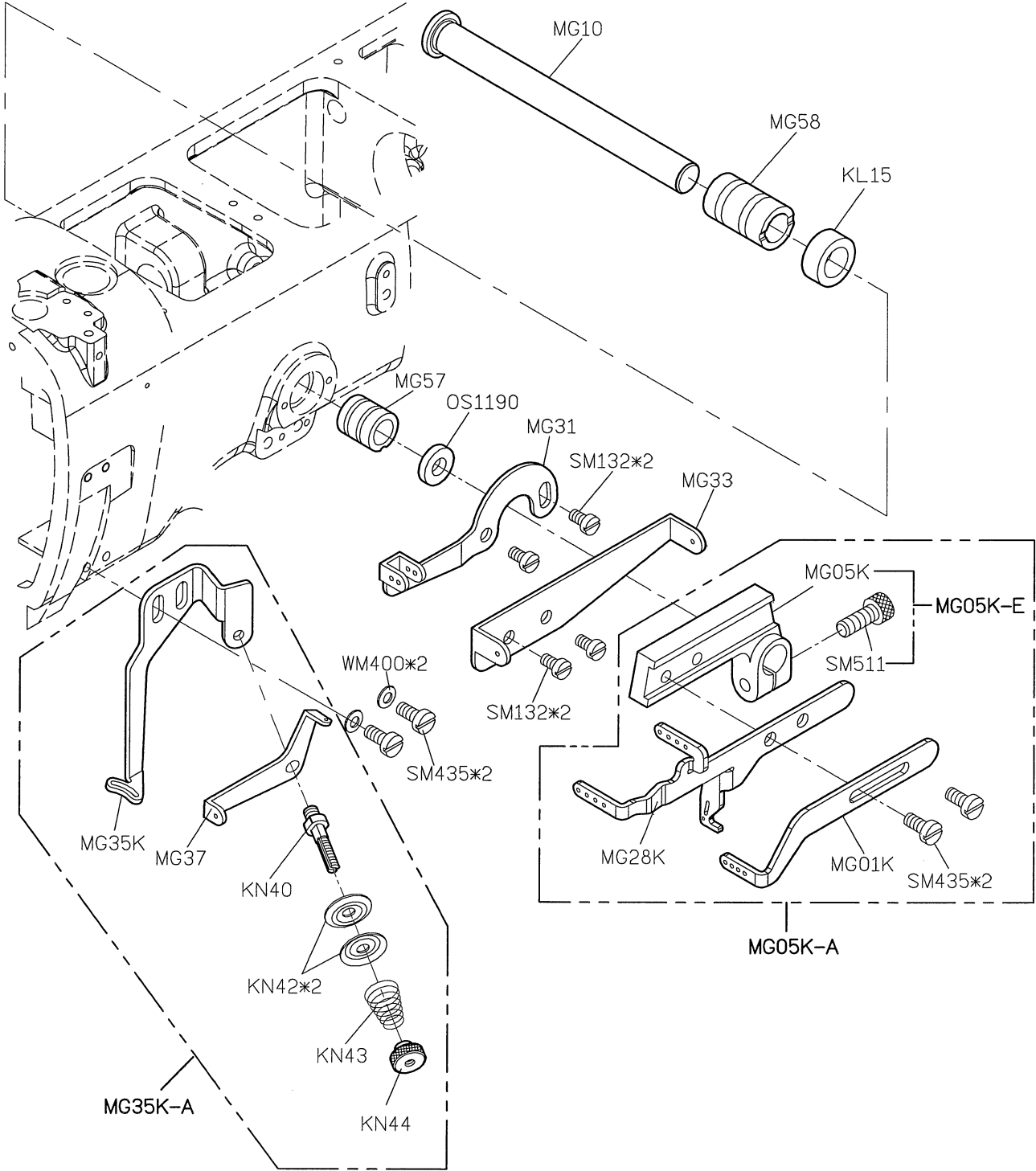
Date

2016/8/31



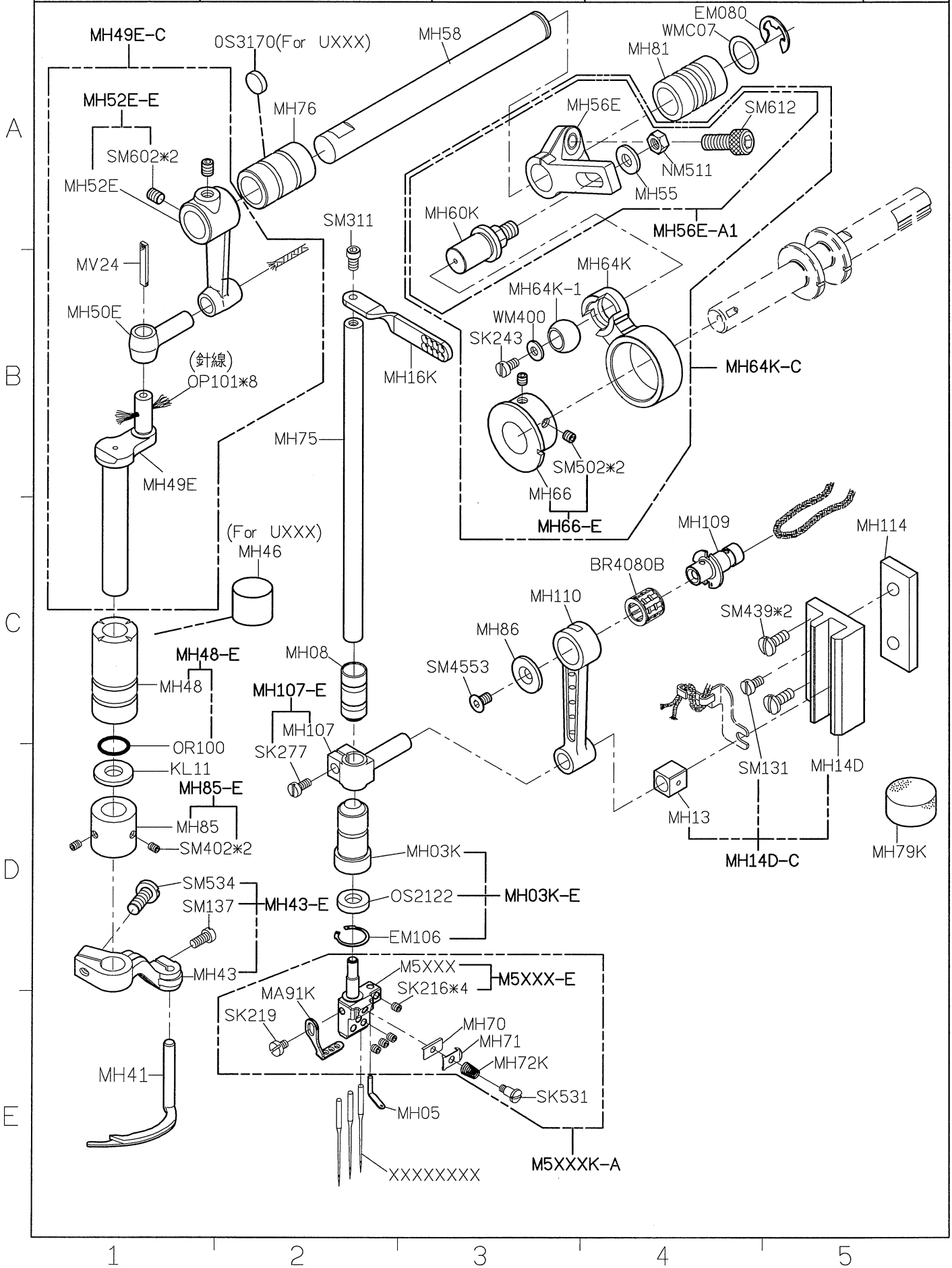
SIRUBA PARTS LIST	Series	Parts Group	Subclass / Remark	Page
	C007K/C007KD C858K	MG-K		1/1
				Date
				2016/9/6

A
B
C
D
E



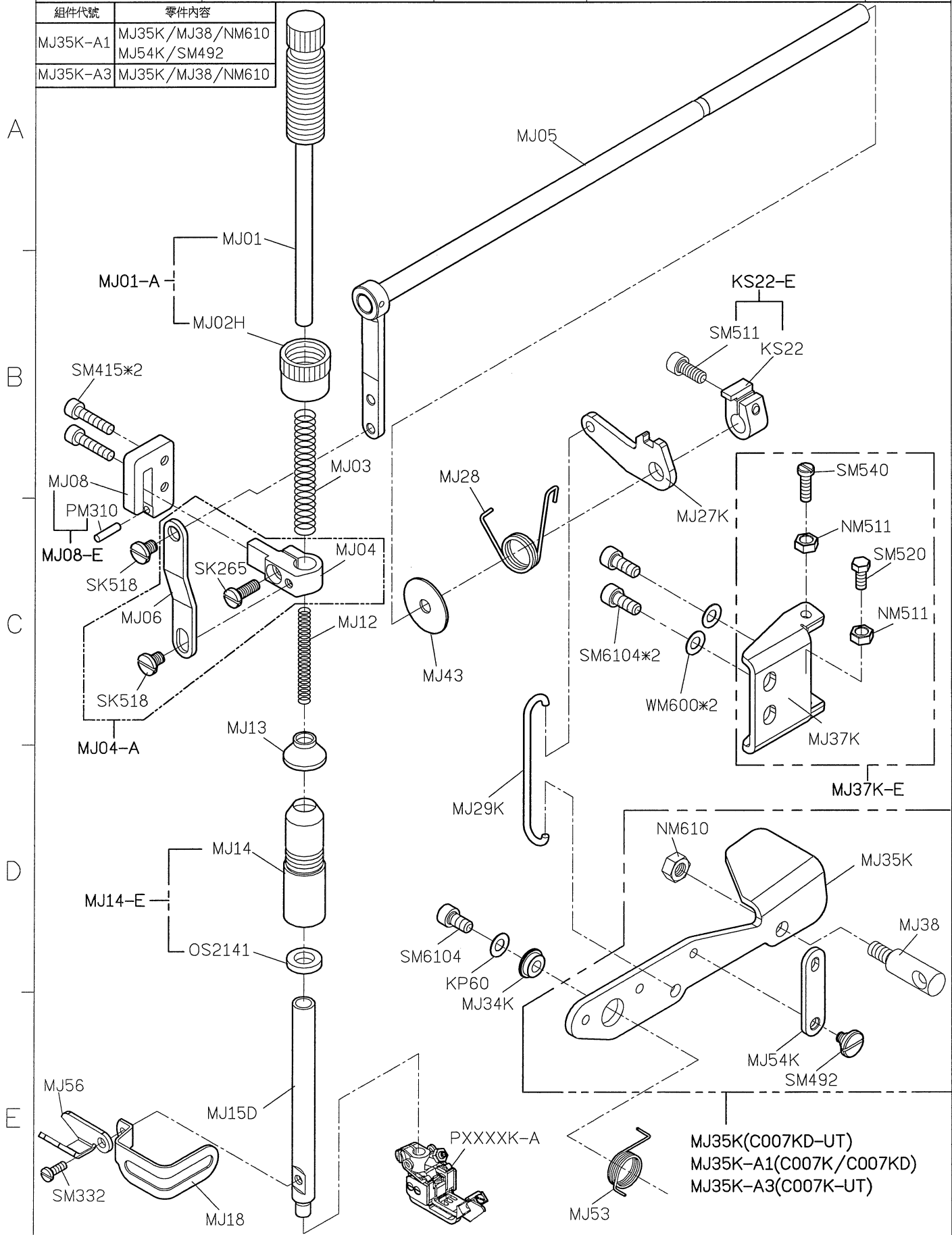
1 2 3 4 5

SIRUBA PARTS LIST	Series	Parts Group	Subclass / Remark	Page
	C007K/C007KD C858K	MH-K		1/1
				Date
				2016/9/6



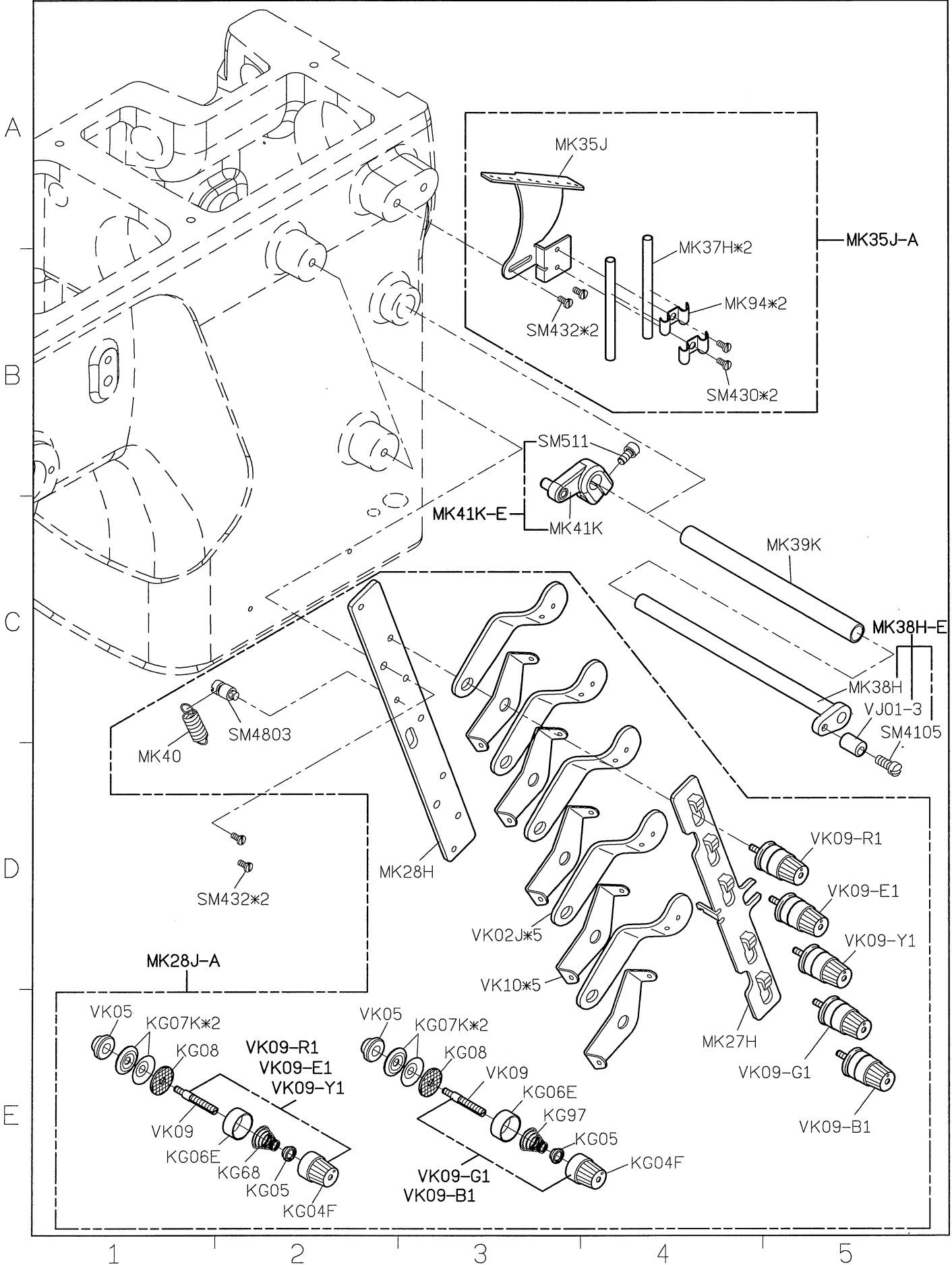
SIRUBA PARTS LIST	Series	Parts Group	Subclass / Remark	Page
	C007K/C007KD	MJ-K		1/1
	C858K		Date	
			2016/9/1	

組件代號	零件內容
MJ35K-A1	MJ35K/MJ38/NM610 MJ54K/SM492
MJ35K-A3	MJ35K/MJ38/NM610

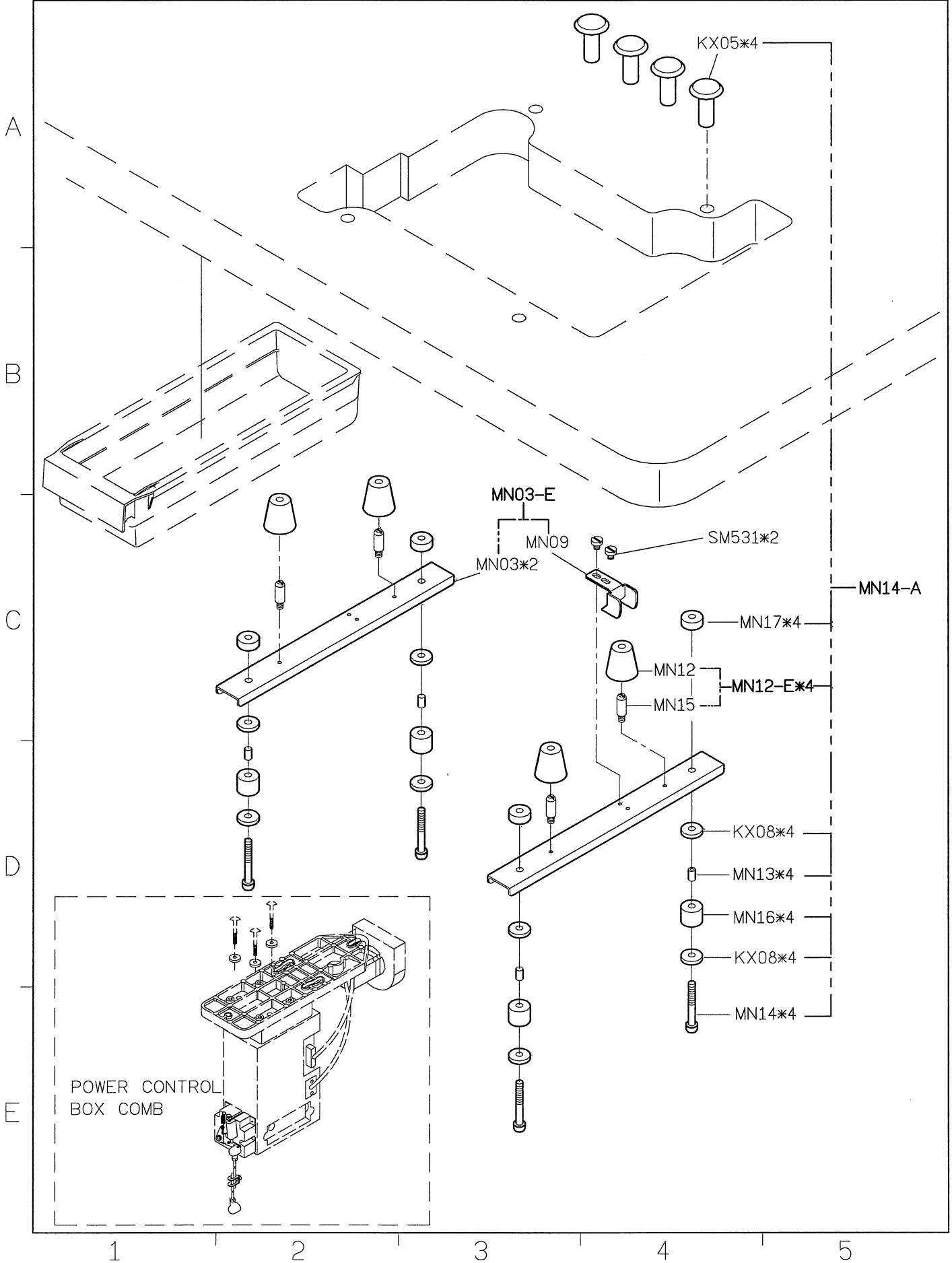


1 2 3 4 5

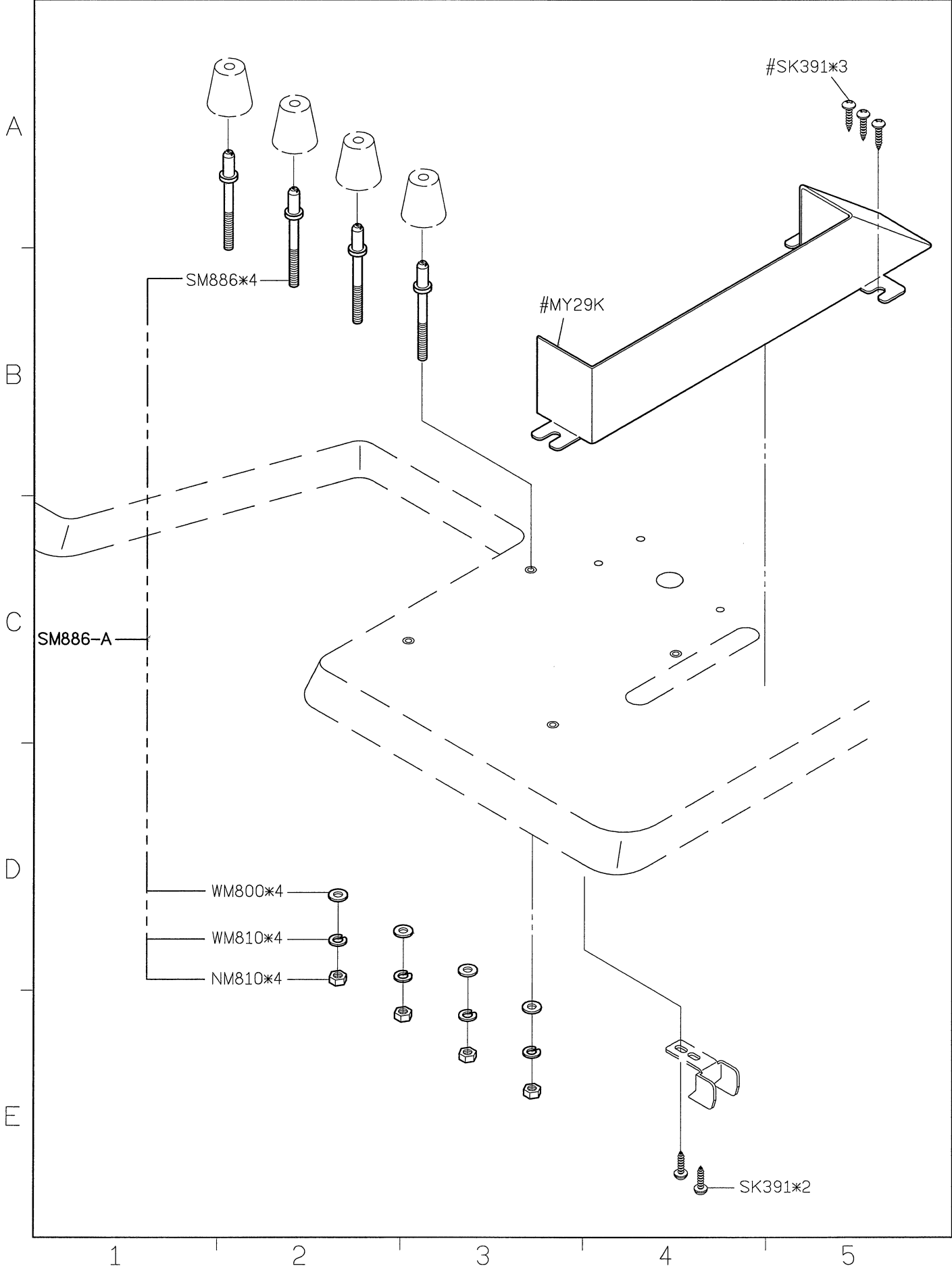
SIRUBA PARTS LIST	Series	Parts Group	Subclass / Remark	Page
	C007K/C007KD C858K	MK-K		1/1
			Date	
			2016/8/29	



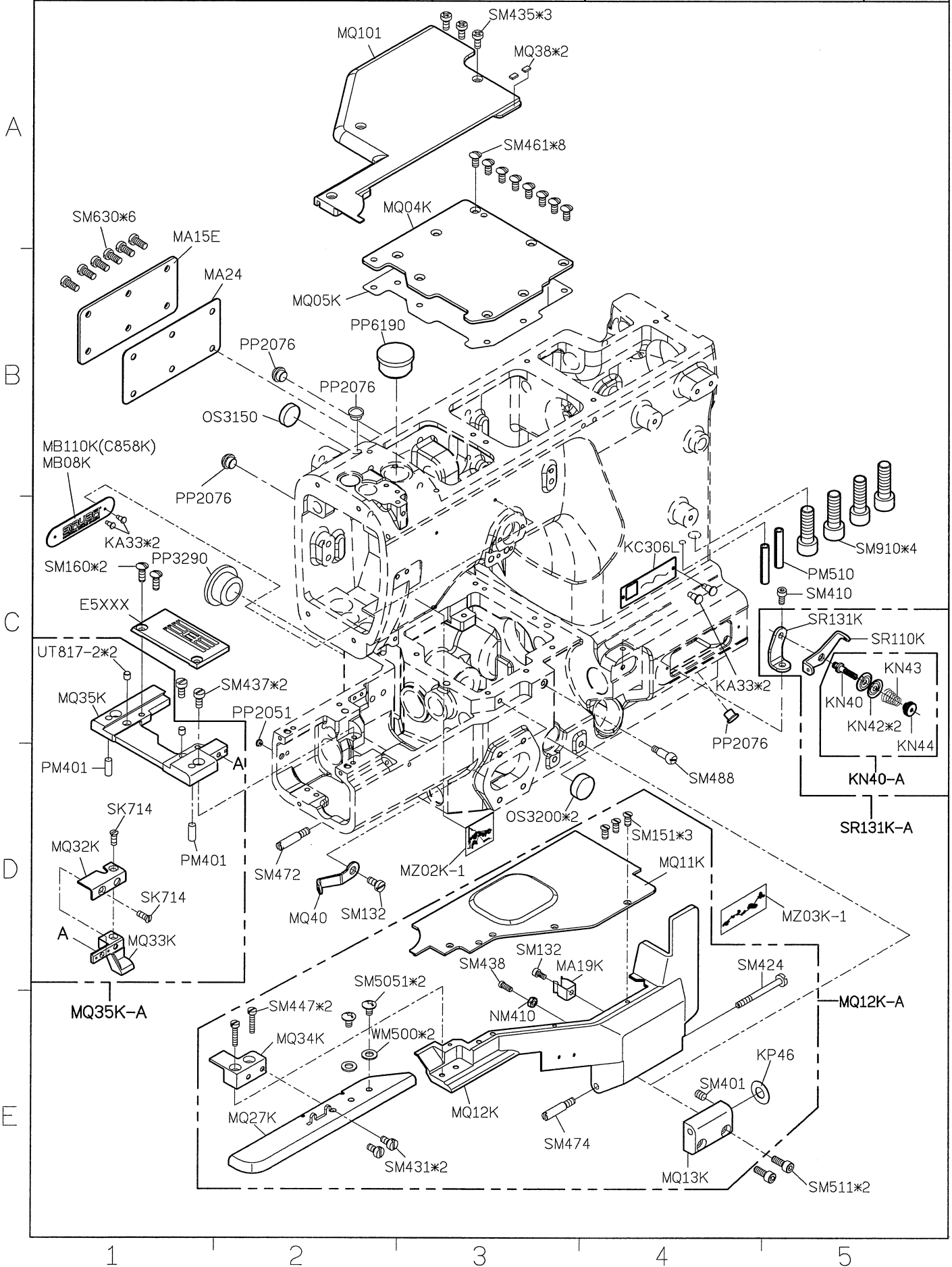
SIRUBA PARTS LIST	Series	Parts Group	Subclass / Remark	Page
	C007K/C007KD C858K	MN-K		1/2
				Date
				2016/8/29



SIRUBA PARTS LIST	Series	Parts Group	Subclass / Remark	Page
	C007K/C007KD C858K	MN-K	# Use for C007K/C858K	2/2
				Date
				2016/8/29



SIRUBA PARTS LIST	Series	Parts Group	Subclass / Remark	Page
	C007K/C007KD C858K	MQ-K		1/4
				Date
				2016/8/29



SIRUBA

PARTS LIST

Series

C007K/C007KD

Parts Group

MQ-K

Subclass / Remark

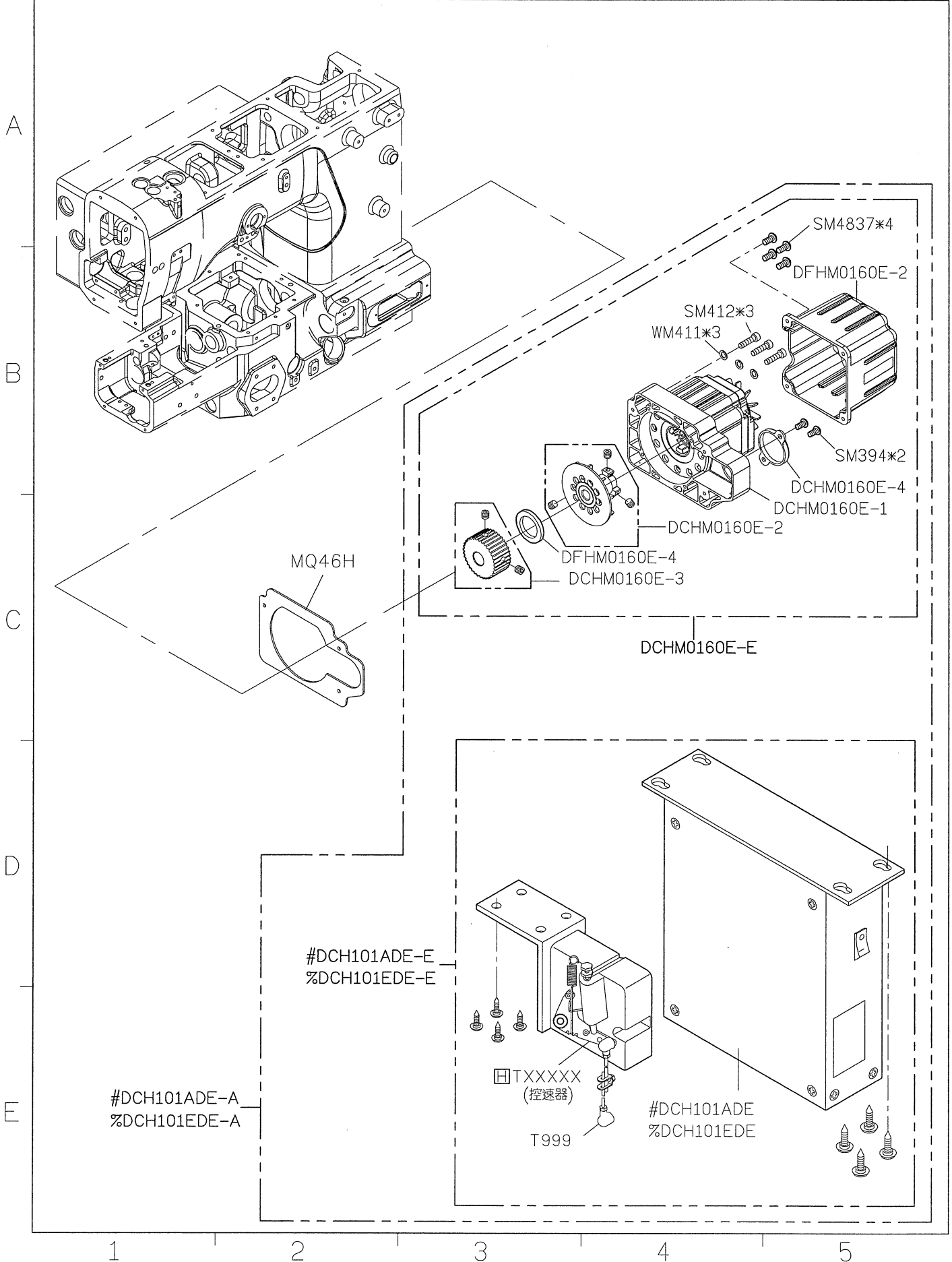
For Direct-Drive Motor (H牌)
#For Pneumatic Automatic
%For Electric Automatic

Page

2/4

Date

2016/12/30



SIRUBA

PARTS LIST

Series

C007K/C007KD

Parts Group

MQ-K

Subclass / Remark

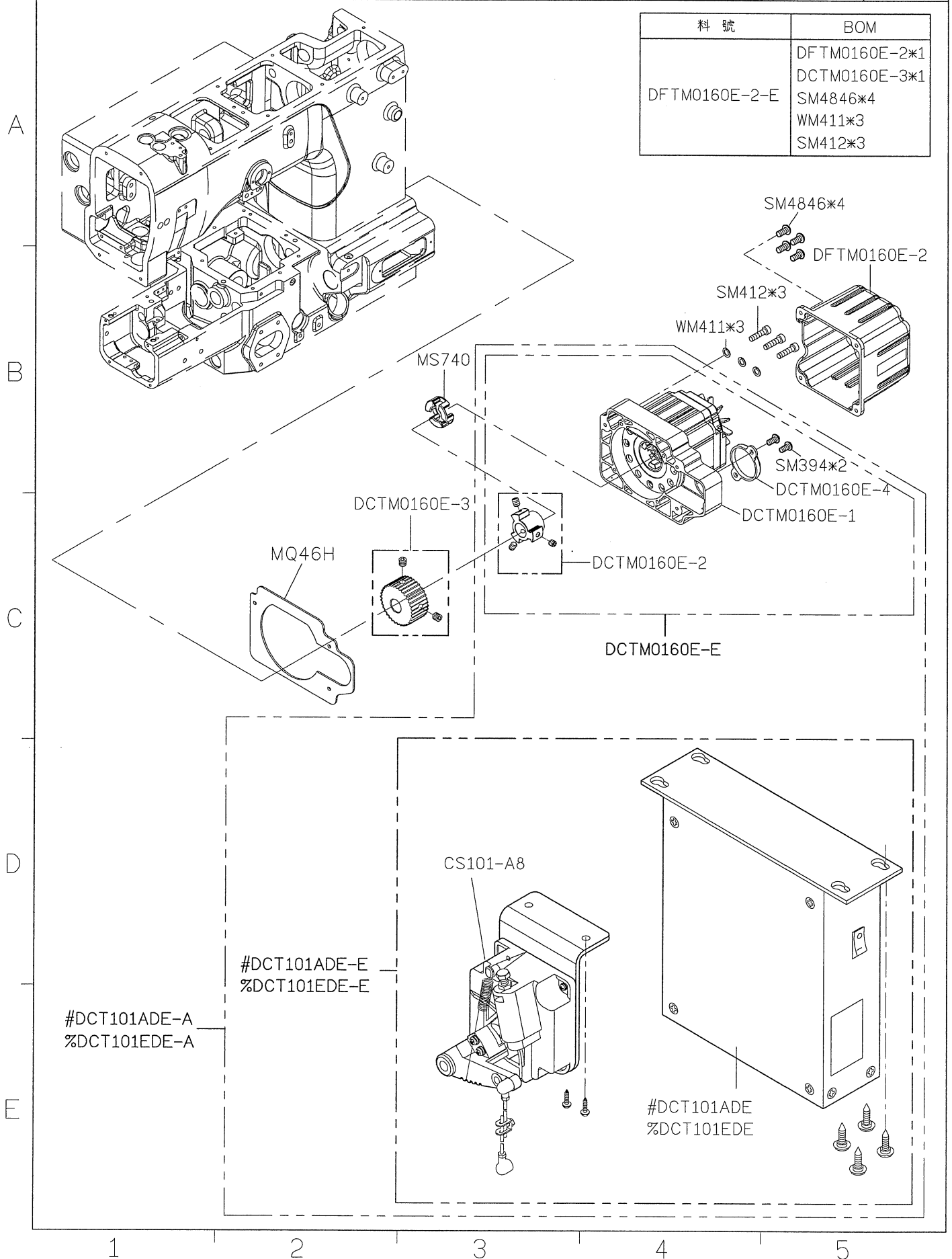
For Direct-Drive Motor (T牌)
#For Pneumatic Automatic
%For Electric Automatic

Page

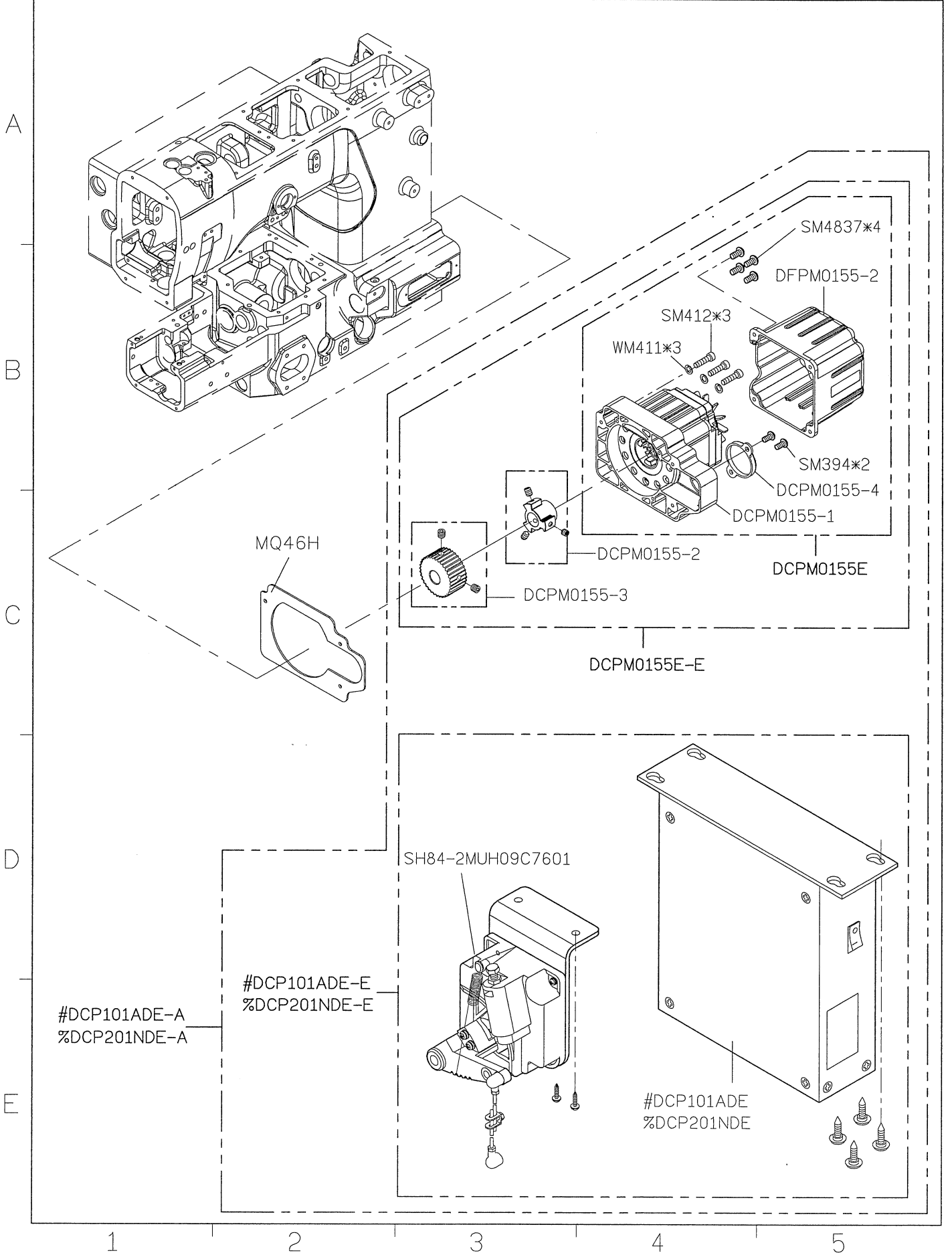
3/4

Date

2016/12/30



SIRUBA PARTS LIST	Series	Parts Group	Subclass / Remark	Page
	C007K/C007KD	MQ-K	For Direct-Drive Motor(P牌) #For Pneumatic Automatic %For Electric Automatic	4/4
				Date
				2016/12/30



SIRUBA

PARTS LIST

Series

C007K/C007KD
C858K

Parts Group

MR-K

Subclass / Remark

△ : Use for CW
: Use for C007K/C858K

Page

1/1

Date

2016/11/21

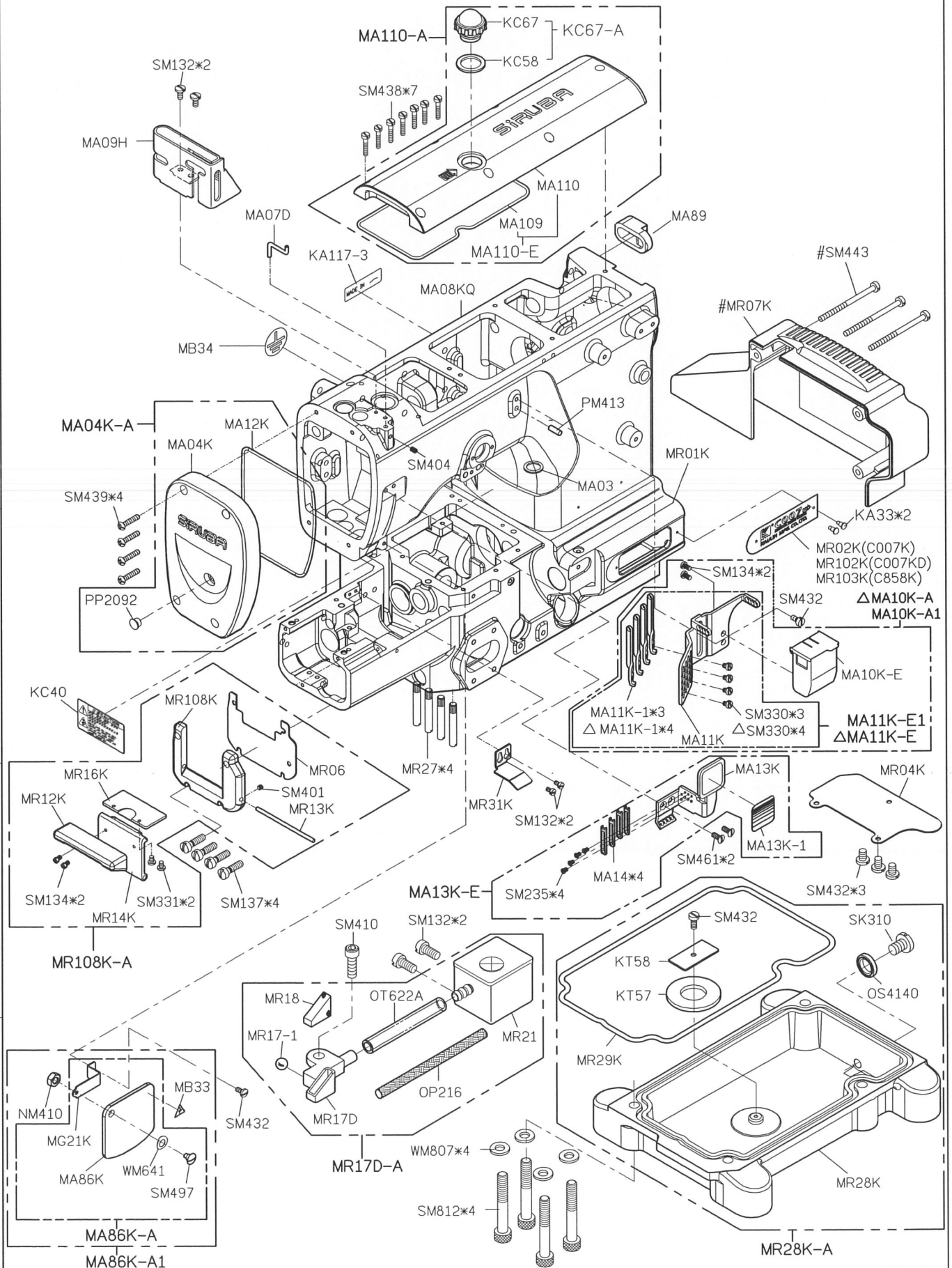
A

B

C

D

E



1

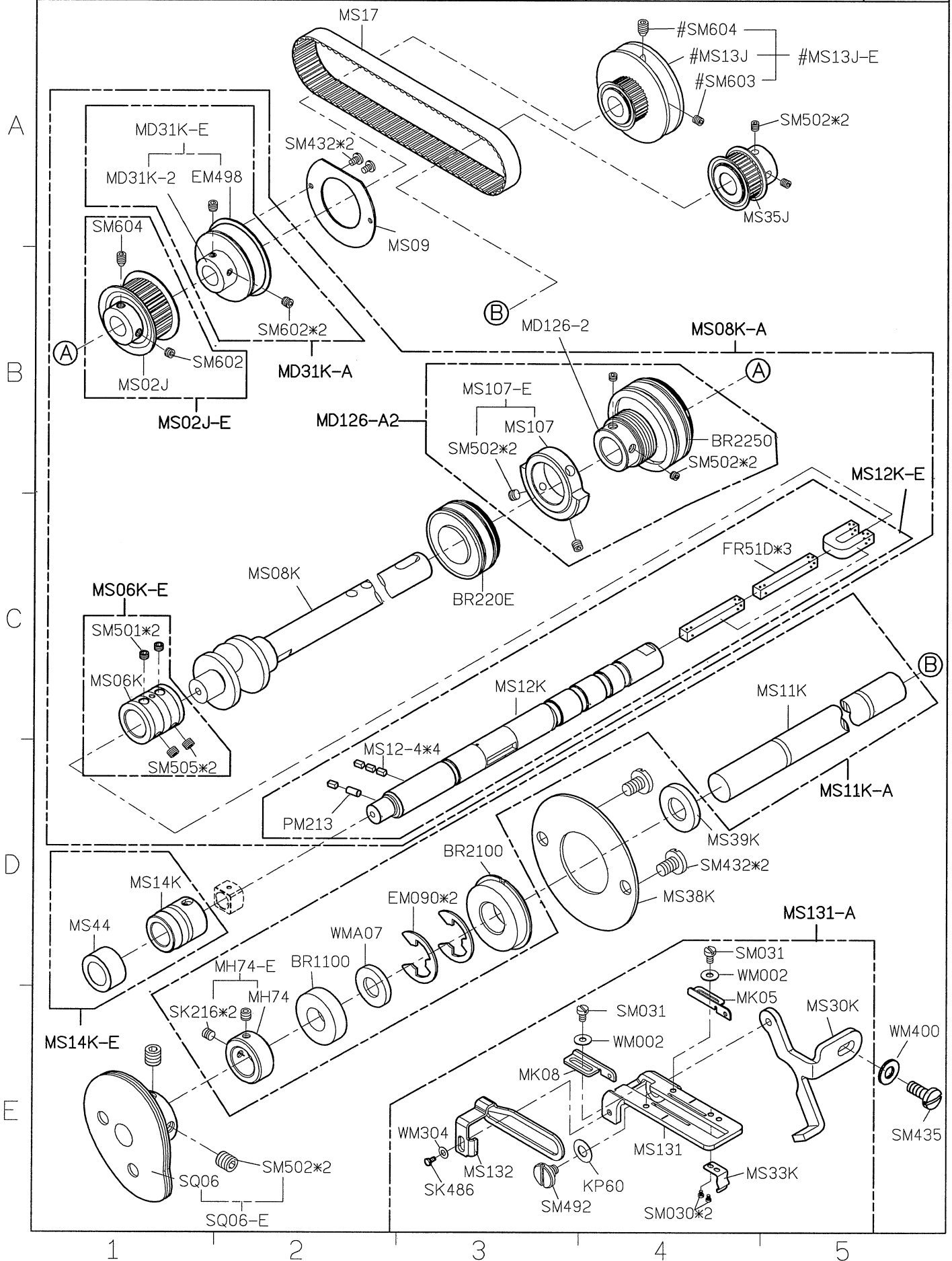
2

3

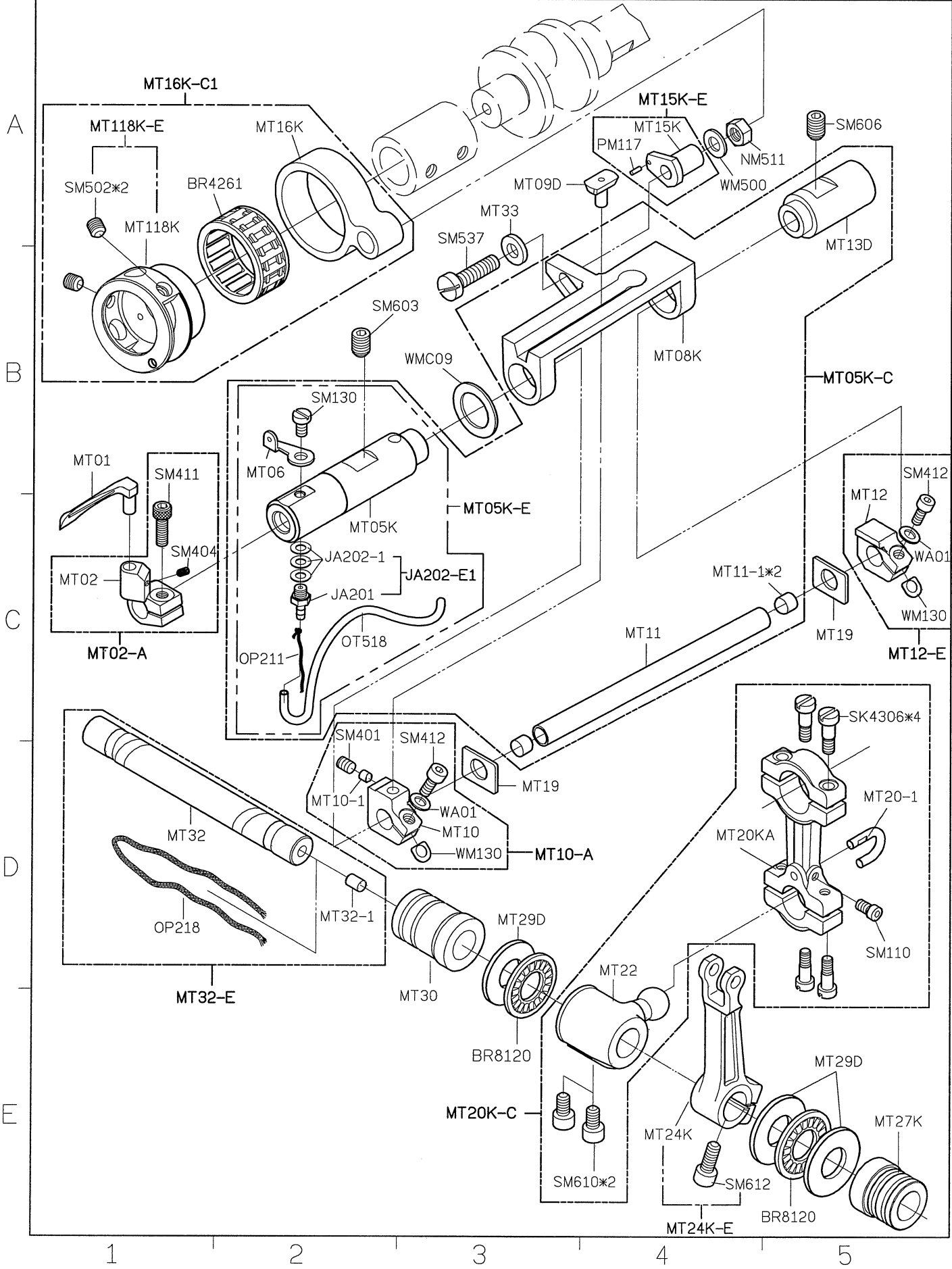
4

5

SIRUBA PARTS LIST	Series	Parts Group	Subclass / Remark	Page
	C007K/C007KD C858K	MS-K	#: Use for C007K/C858K	1/1
				Date
				2016/8/30



SIRUBA PARTS LIST	Series	Parts Group	Subclass / Remark	Page
	C007K/C007KD C858K	MT-K		1/1
				Date
				2016/8/30



SIRUBA

PARTS LIST

Series

C007K/C007KD
C858K

Parts Group

MU-K

Subclass / Remark

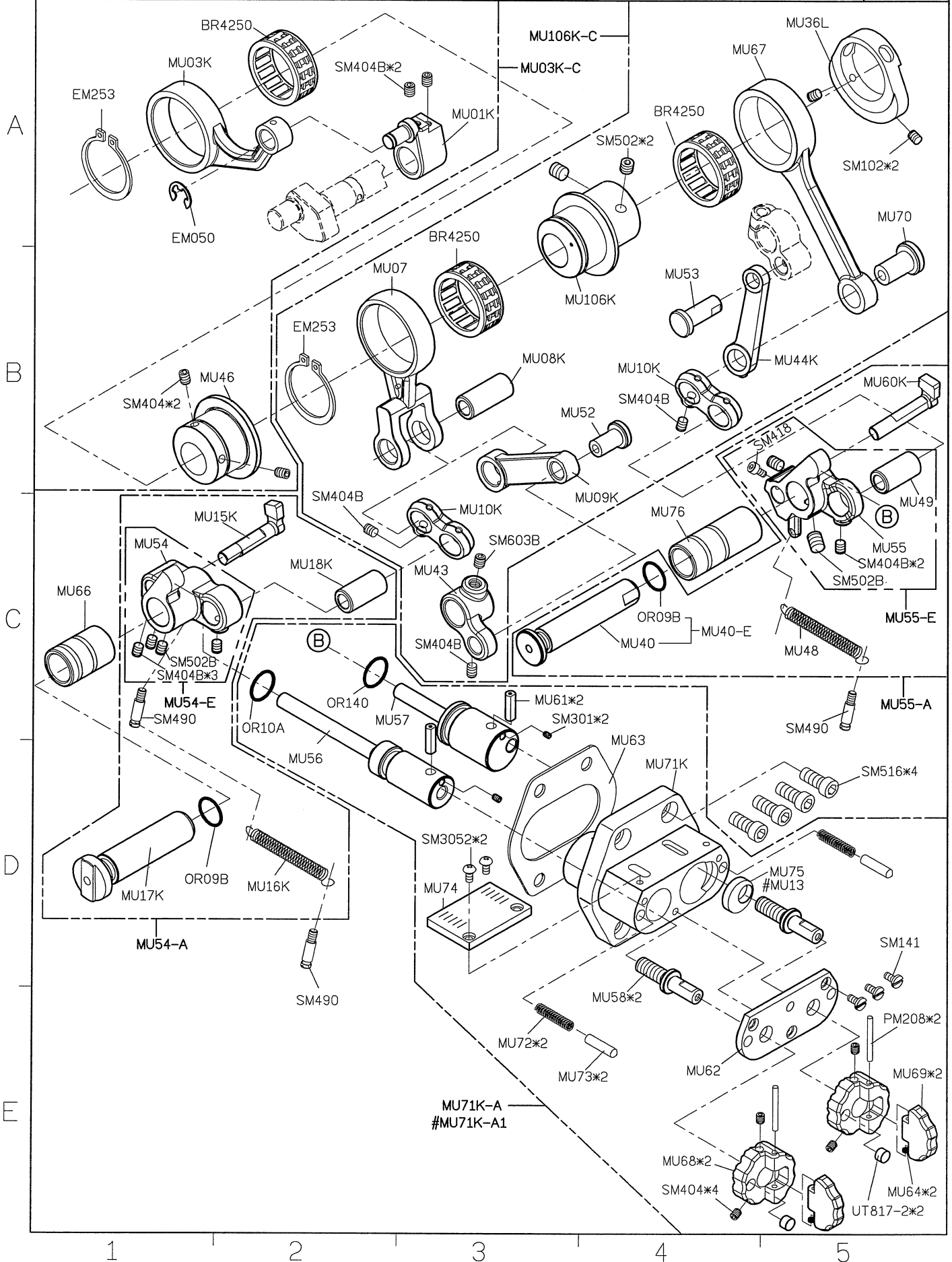
: Use for CRL

Page

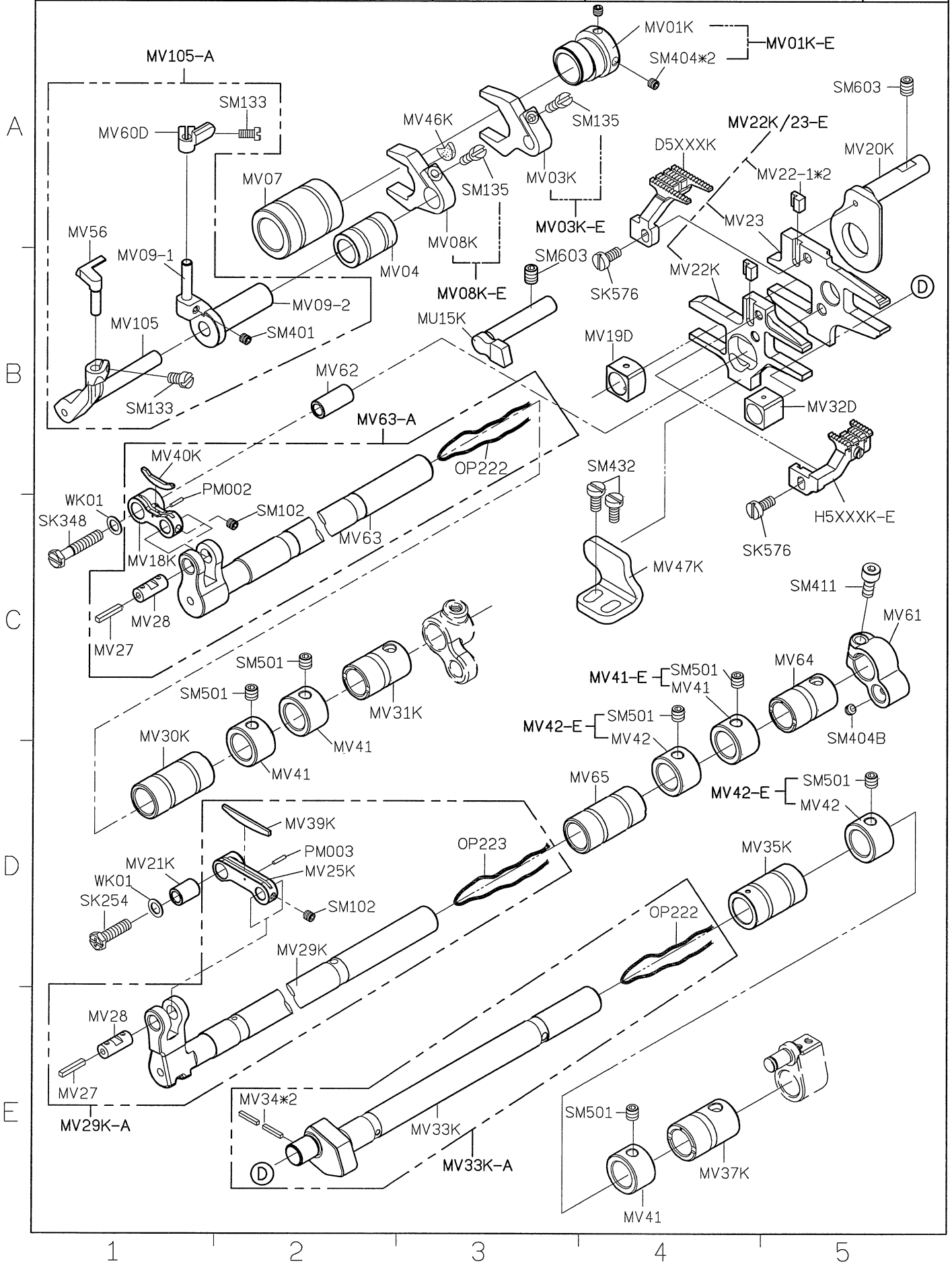
1/1

Date

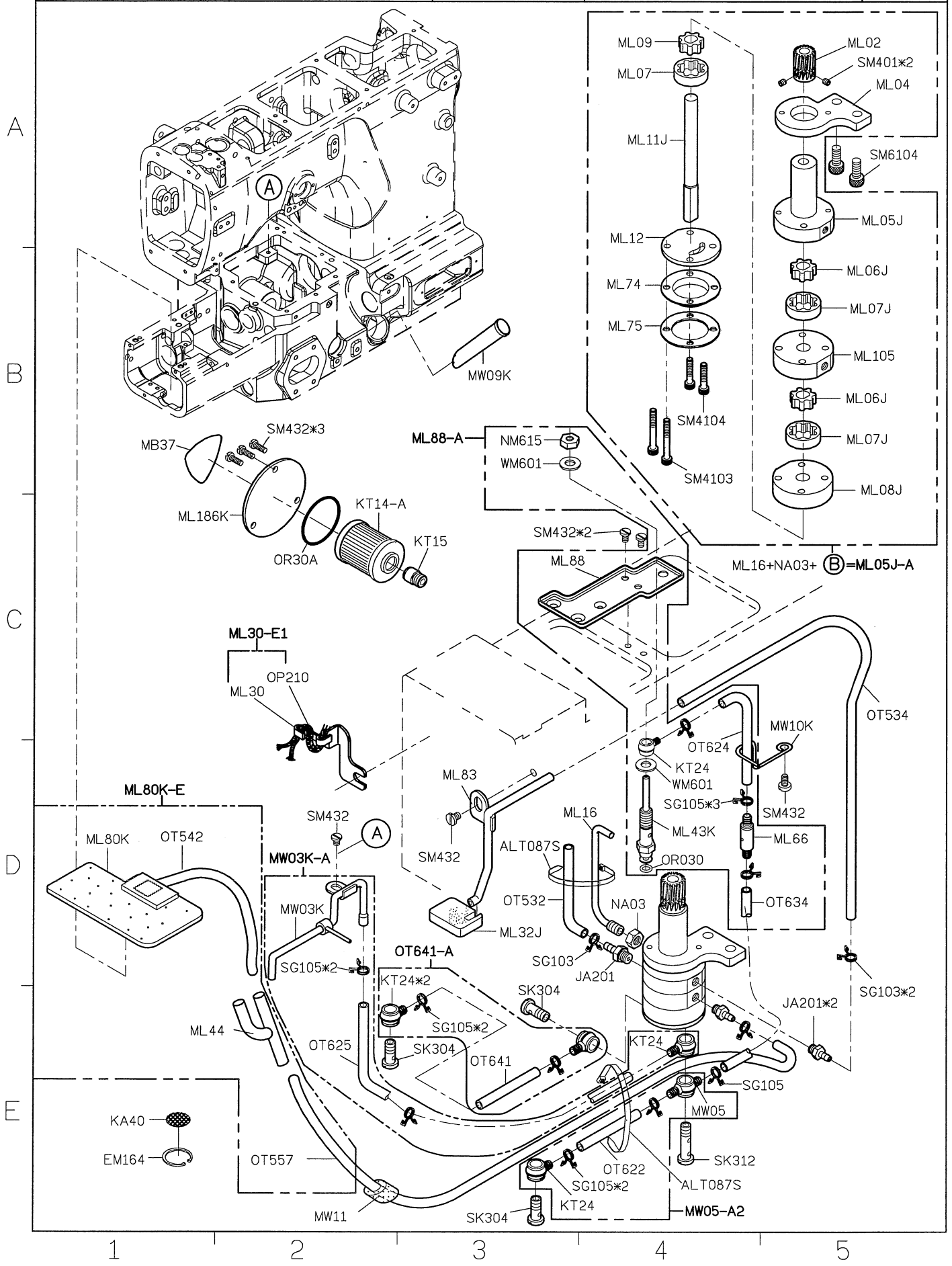
2016/8/30



SIRUBA PARTS LIST	Series	Parts Group	Subclass / Remark	Page
	C007K/C007KD C858K	MV-K		1/1
				Date
				2016/8/30



SIRUBA PARTS LIST	Series	Parts Group	Subclass / Remark	Page
	C007K/C007KD	MW-K		1/1
	C858K			Date
				2016/8/30



SIRUBA PARTS LIST	Series	Parts Group	Subclass / Remark	Page
	C007K/C007KD C858K	MY-K		1/1
				Date
				2016/8/30

A

MY01 KY03 KY04 KY05-A KY23-A KY23(6/7mm) KY09

B

MY10-A MY09 KY10 MY10 MY11 MY12 KY11 KY14 LY33-A LY33 LY34 KY18

C

KY20D-A 針*5 MY21-E KY21-1 MY21 KY201 KZ03

D

KT14-A MY29K(C007K/C858K) SM886-A(C007K/C858K) SM886-A1(C007KD)

SM886*4	WM800*4
WM810*4	NM810*4
SK391*5	

SM886*4	WM800*4
WM810*4	NM810*4
SK391*2	

E

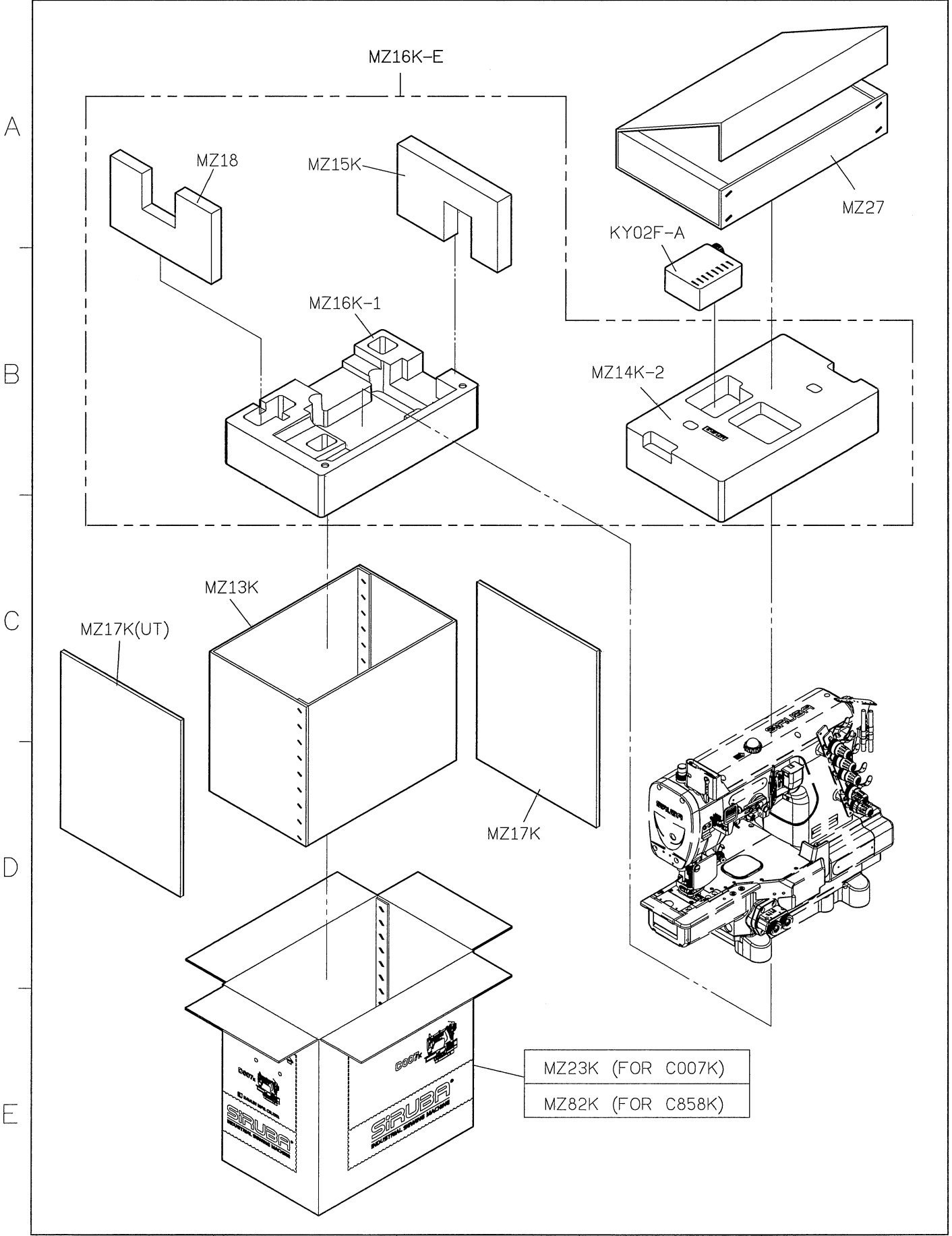
MY127K Instruction book (使用説明書)

MY32K Parts list (零件圖)

Parts list	
Basic mechanism	MY32K
Special mechanism	MY32K
UTP/UTQ	MY32K UT120K
Special machine type + UTP/UTQ	MY32K UT120K
UTR/UTS	MY32K UT240K
Special machine type + UTR/UTS	MY32K UT240K

1 2 3 4 5

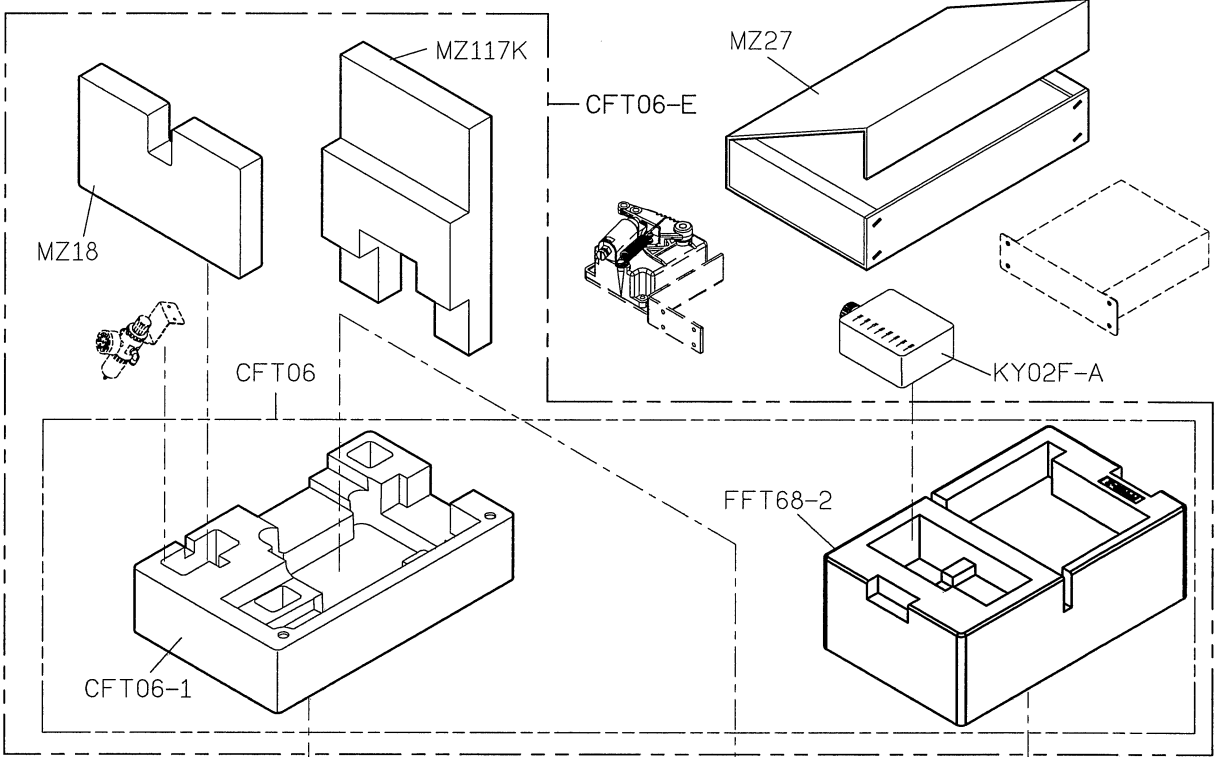
SIRUBA PARTS LIST	Series	Parts Group	Subclass / Remark	Page
	C007K/C007KD C858K	MZ-K		1/2
				Date
				2016/8/29



1 2 3 4 5

SIRUBA PARTS LIST	Series	Parts Group	Subclass / Remark	Page
	C007K/C007KD C858K	MZ-K	For C007KD	2/2
				Date
				2016/8/29

A

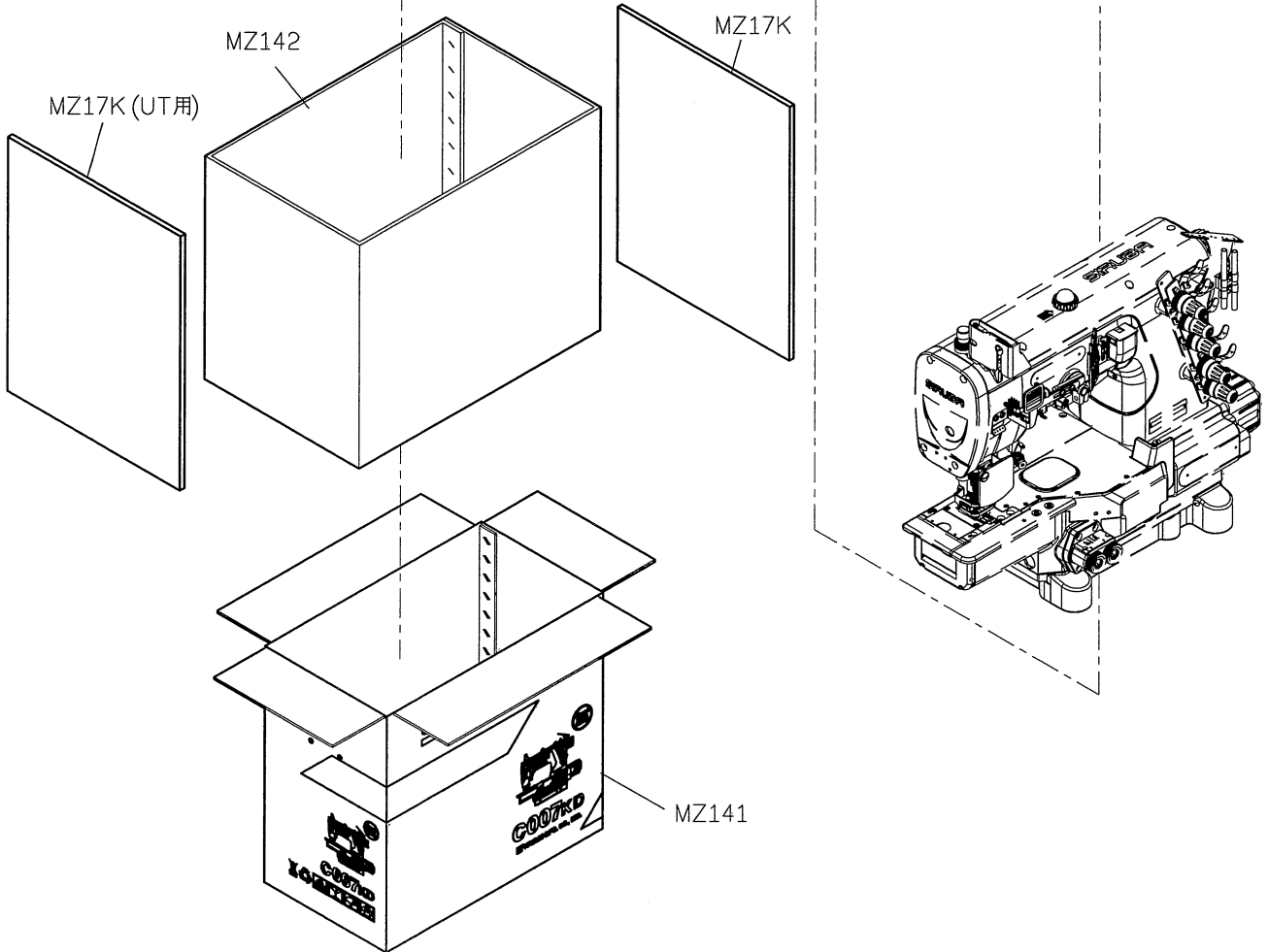


B

C

D

E



1

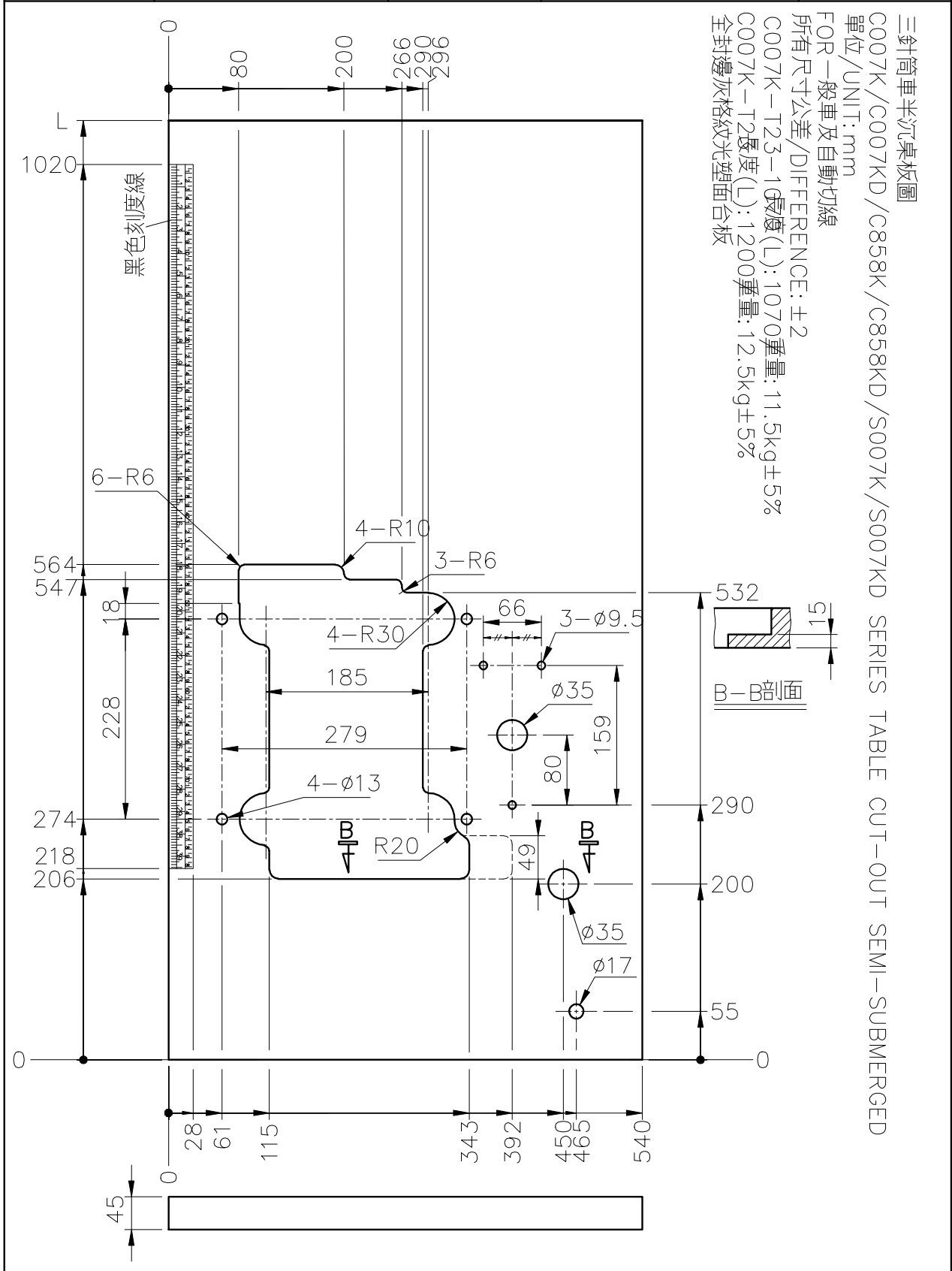
2

3

4

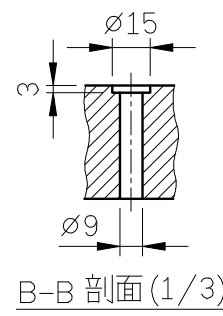
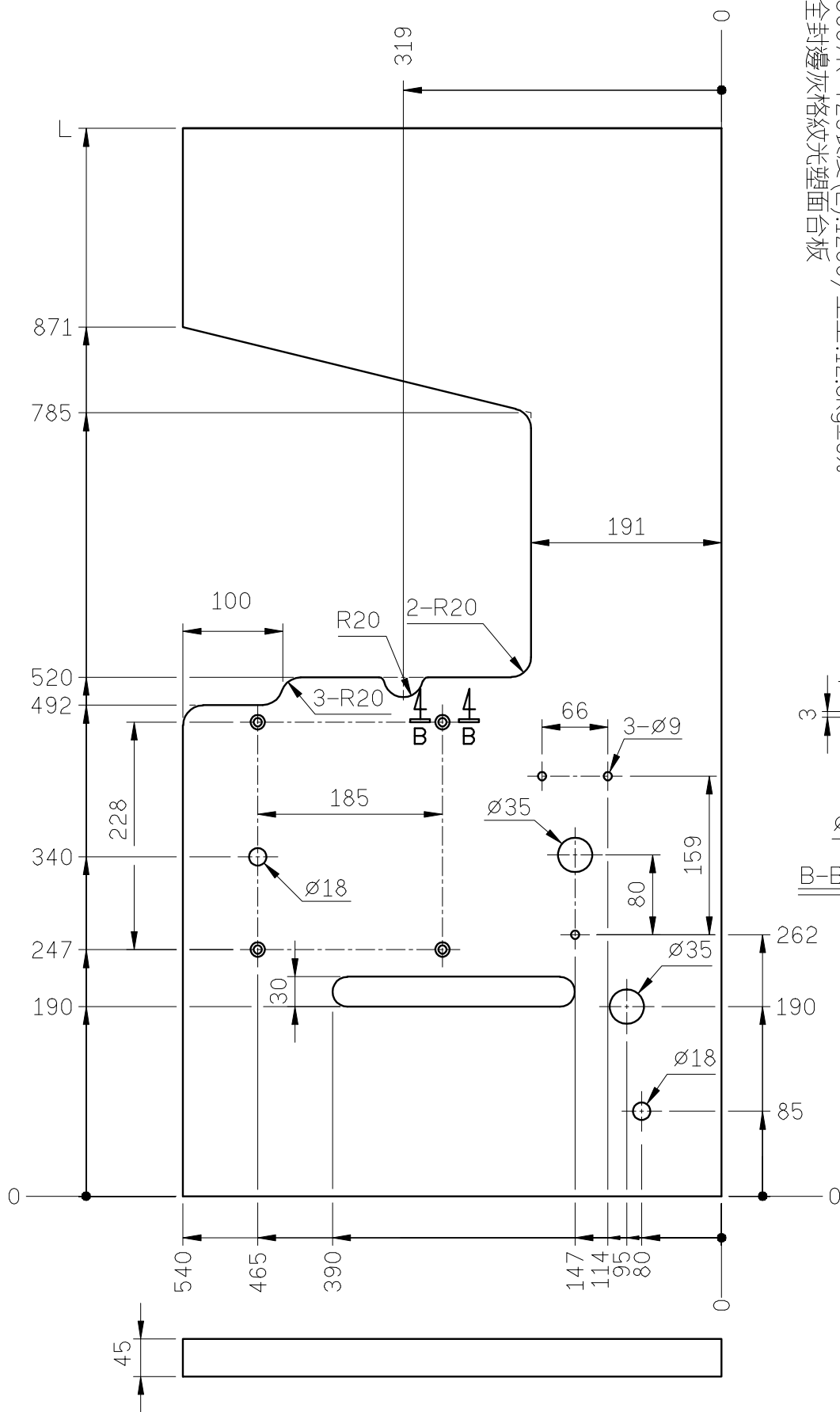
5

SIRUBA TABLE CUT - OUT	Series	Item Code	Subclass / Remark	Mounting
	C007K/C007KD C858K/C858KD S007K/S007KD	C007K-T23	For All Series	Semi-submerged
				Date 2013/01/26



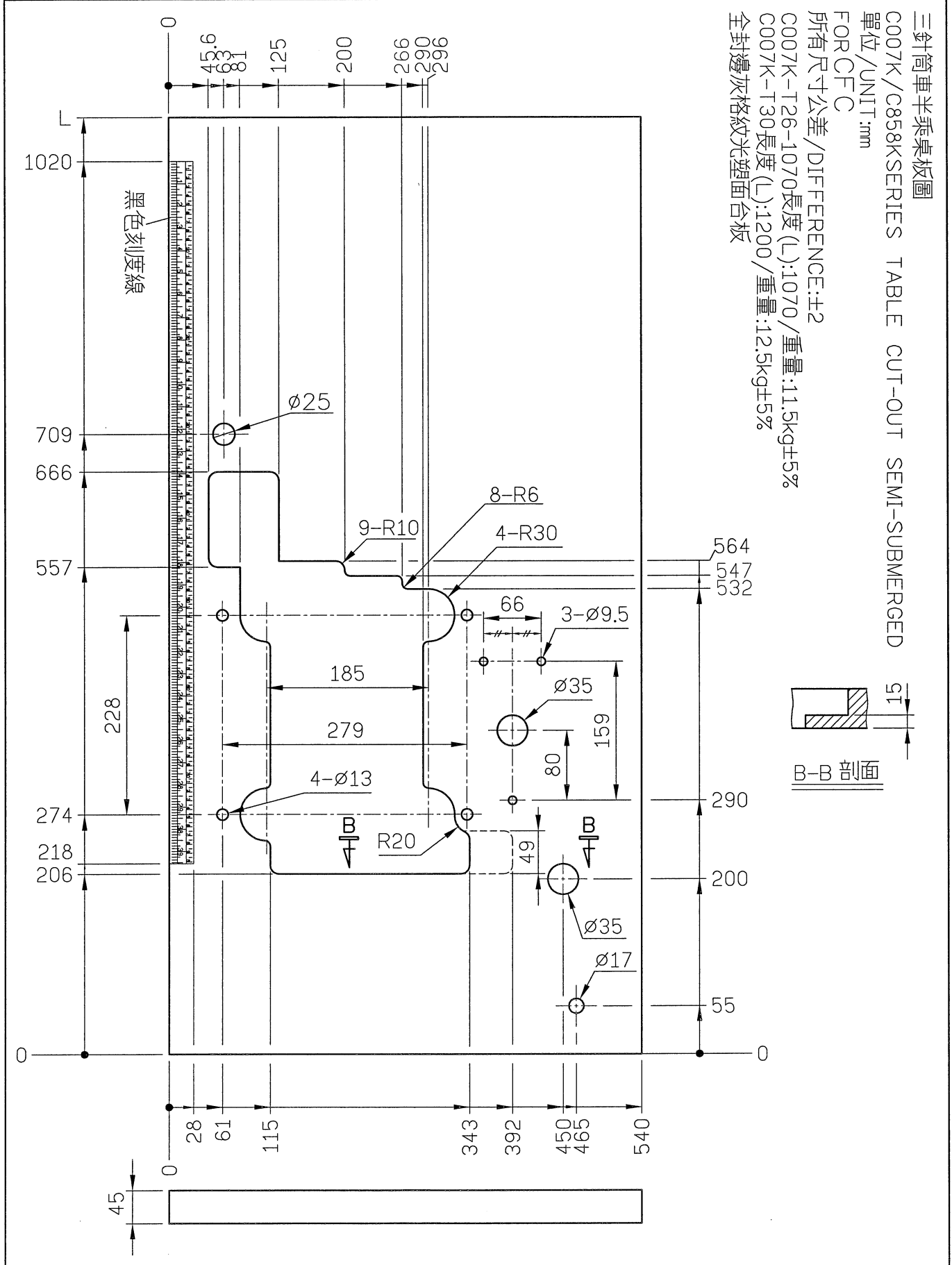
SIRUBA TABLE CUT - OUT	Series	Item Code	Subclass / Remark	Mounting
	C007K/C007KD C858K/C858KD S007K/S007KD	C007K-T25	For All Series excluding ① RLP,RLQ Celastic tape attaching ② CRL Models ③ Condensed stitch(CAR,CMR,SAR,SER--)	Non-submerged
				Date 2013/01/26

三針筒車上乘桌板圖
 C007K/C007KD/C858K/C858KD/S007K/S007KD SERIES TABLE CUT-OUT SEMI-SUBMERGED
 單位 / UNIT : mm
 FOR CRL,CRL/UTP,Q
 所有尺寸公差 / DIFFERENCE : ±2
 C007K-T25-1070長度 (L) : 1070 / 重量 : 11.3kg±5%
 C007K-T25長度 (L) : 1200 / 重量 : 12.3kg±5%
 全封邊灰格紋光塑面台板



- □ MY29K-E (直欄式不用)
- MY29K
- SK391*3
- □ SM886-A1
- SM886*4
- SK391*2
- WM800*4
- WM810*4
- NM810*4

SIRUBA TABLE CUT - OUT	Series	Item Code	Subclass / Remark	Mounting
	C007K/C858K	C007K-T26	For CFC	Semi-submerged
				Date
				2015/11/27



SIRUBA TABLE CUT - OUT	Series	Item Code	Subclass / Remark	Mounting
	C007J/C007K	C007-T30		Non-submerged
				Date
				2016/10/03

三針筒車上乘桌板圖
 C007J/C007K SERIES TABLE CUT-OUT SEMI-SUBMERGED
 單位/UNIT:mm
 FOR 印度客戶使用
 所有尺寸公差/DIFFERENCE:±2
 C007-T30-1070長度(L):1070/重量:11.3kg±5%
 C007-T30長度(L):1200/重量:12.3kg±5%
 全封邊灰格紋光塑面台板

