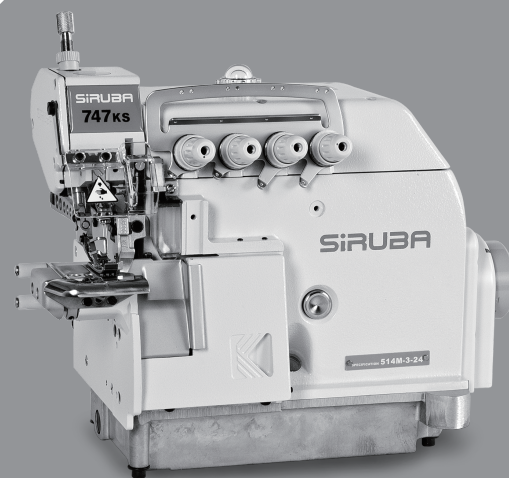


SIRUBA[®] Sew Reach

輔助件

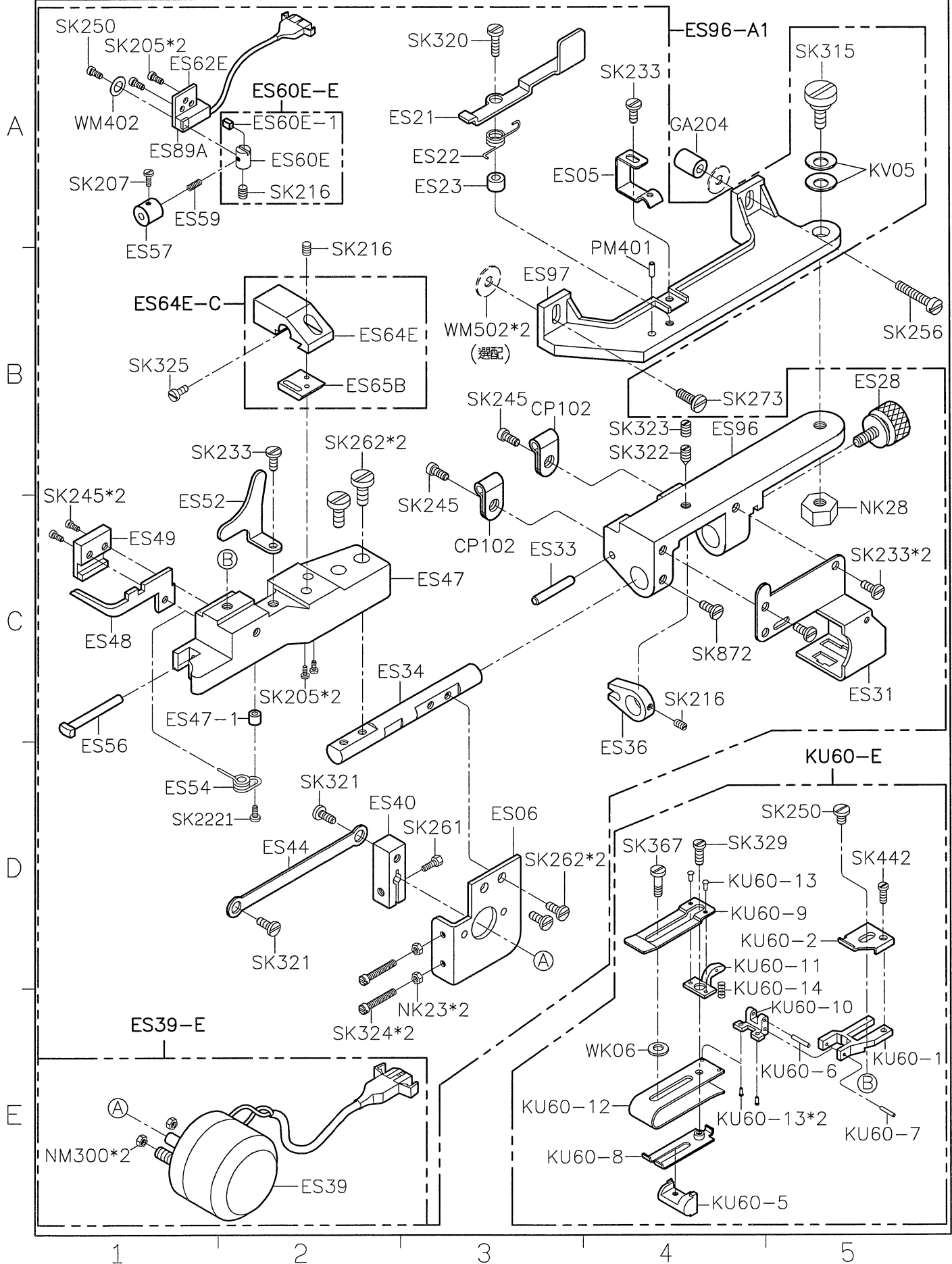
AUXILIARY PARTS

■ 700KS



CE

SIRUBA PARTS LIST	Series	Parts Group	Subclass / Remark	Page
	700KS	ESK		1/3
				Date
				2016/05/24



SIRUBA PARTS LIST	Series	Parts Group	Subclass / Remark	Page
	700KS	ESK		2/3
				Date
				2016/05/24

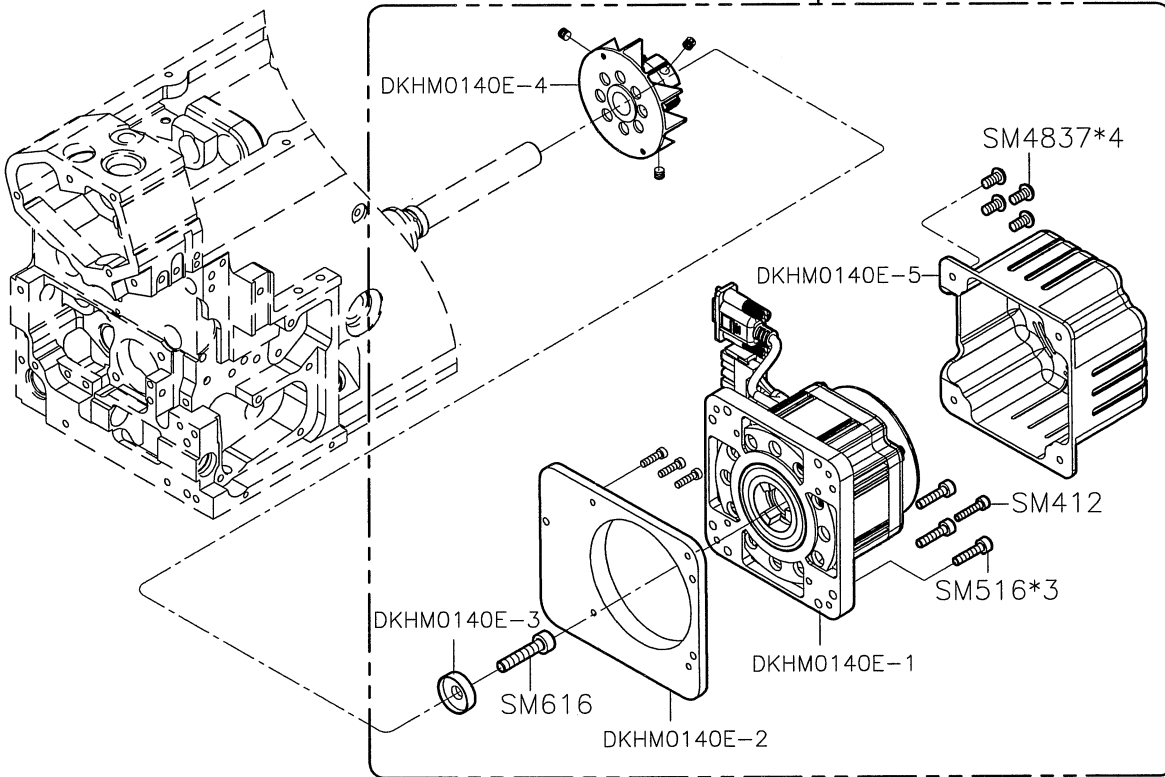
DKH303ADE-A

A

B

C

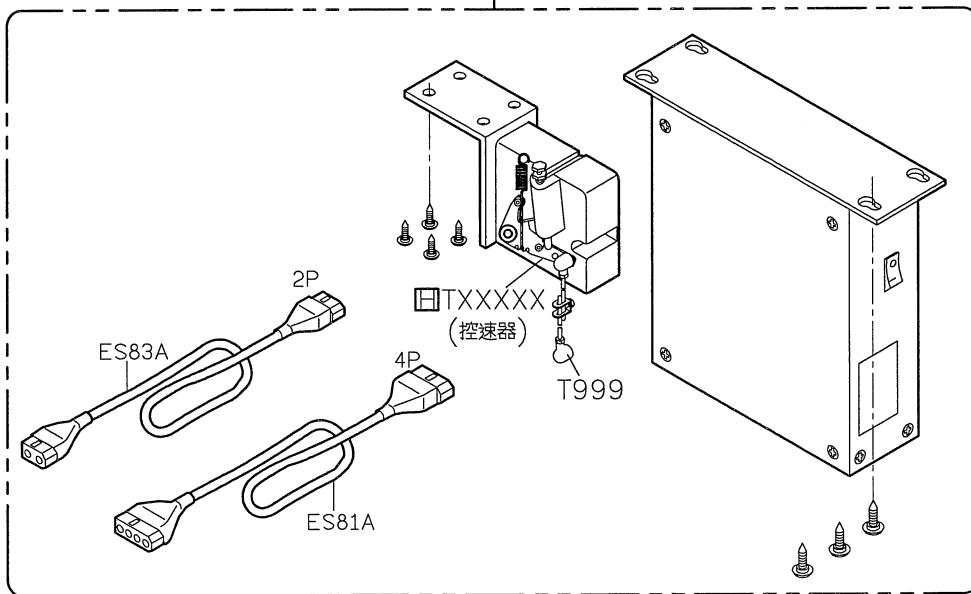
DKHM0140E



D

E

DKH303ADE



1

2

3

4

5

SIRUBA PARTS LIST	Series	Parts Group	Subclass / Remark	Page
	700KS	ESK		3/3
				Date
				2016/05/24

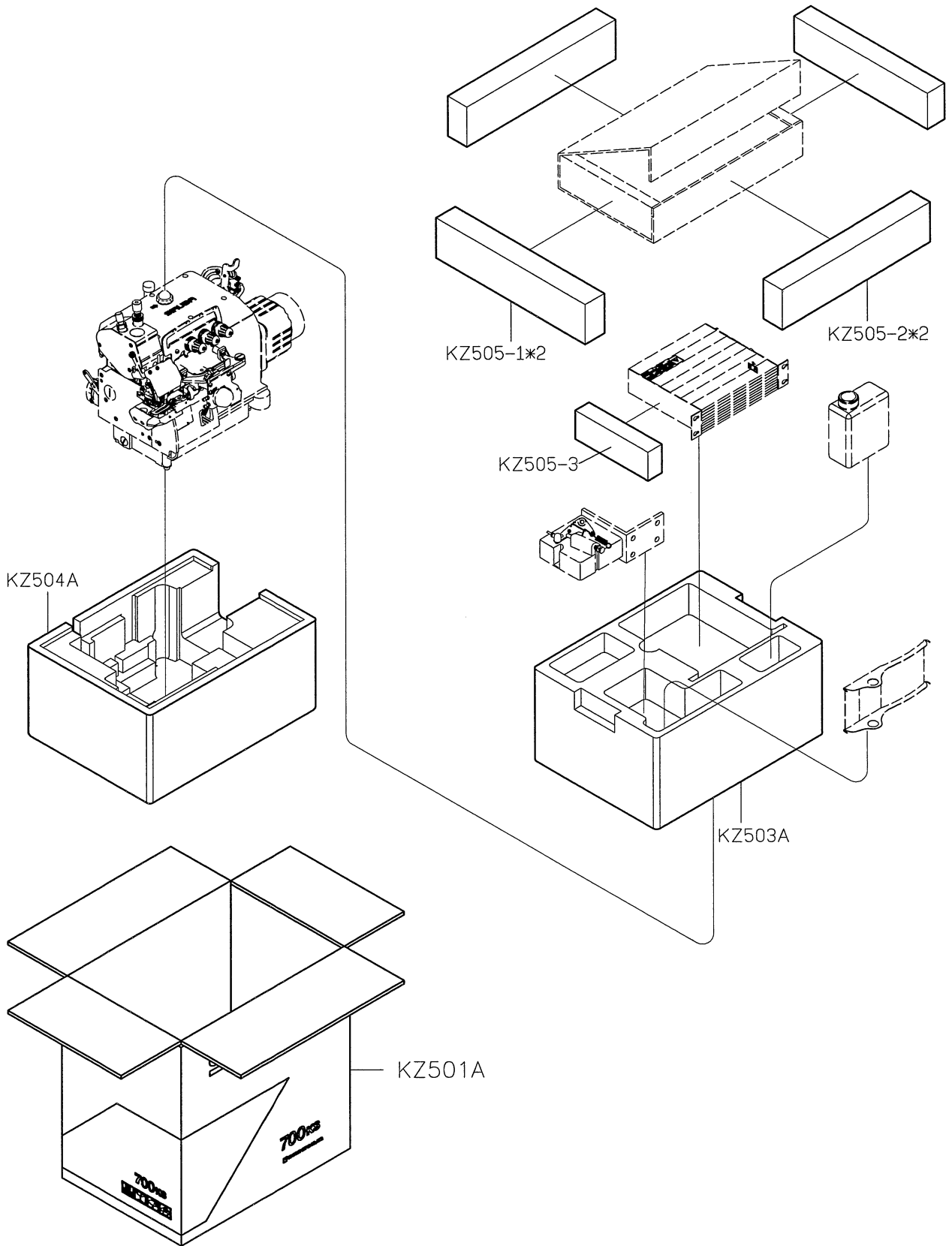
A

B

C

D

E



1

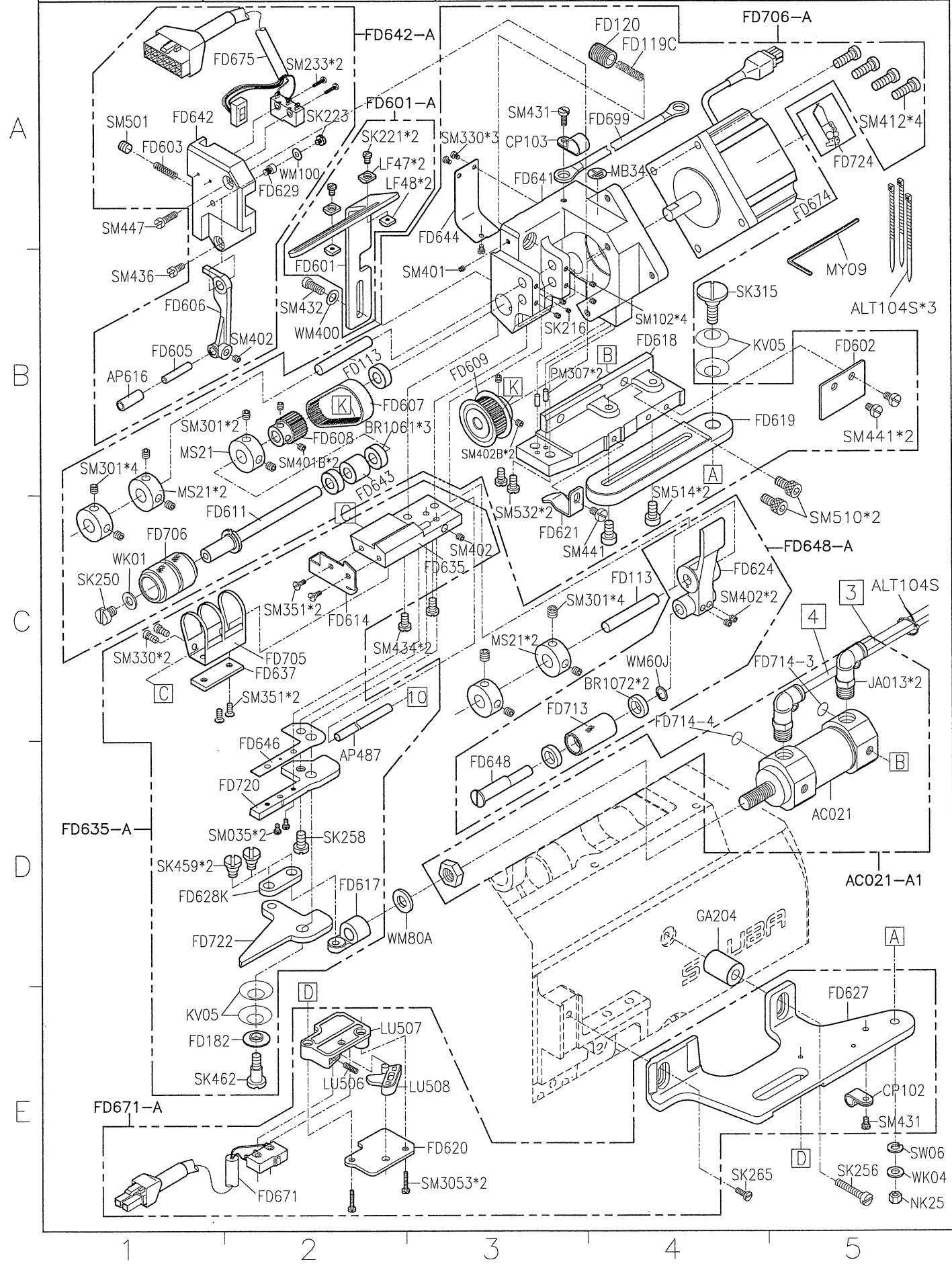
2

3

4

5

SIRUBA PARTS LIST	Series	Parts Group	Subclass / Remark	Page
	700KS	LFD6-K	For Short Wheel Cut Limit 20mm	1/12
				Date
			2017/02/06	



SIRUBA

PARTS LIST

Series

700KS

Parts Group

LFD6A-K

Subclass / Remark

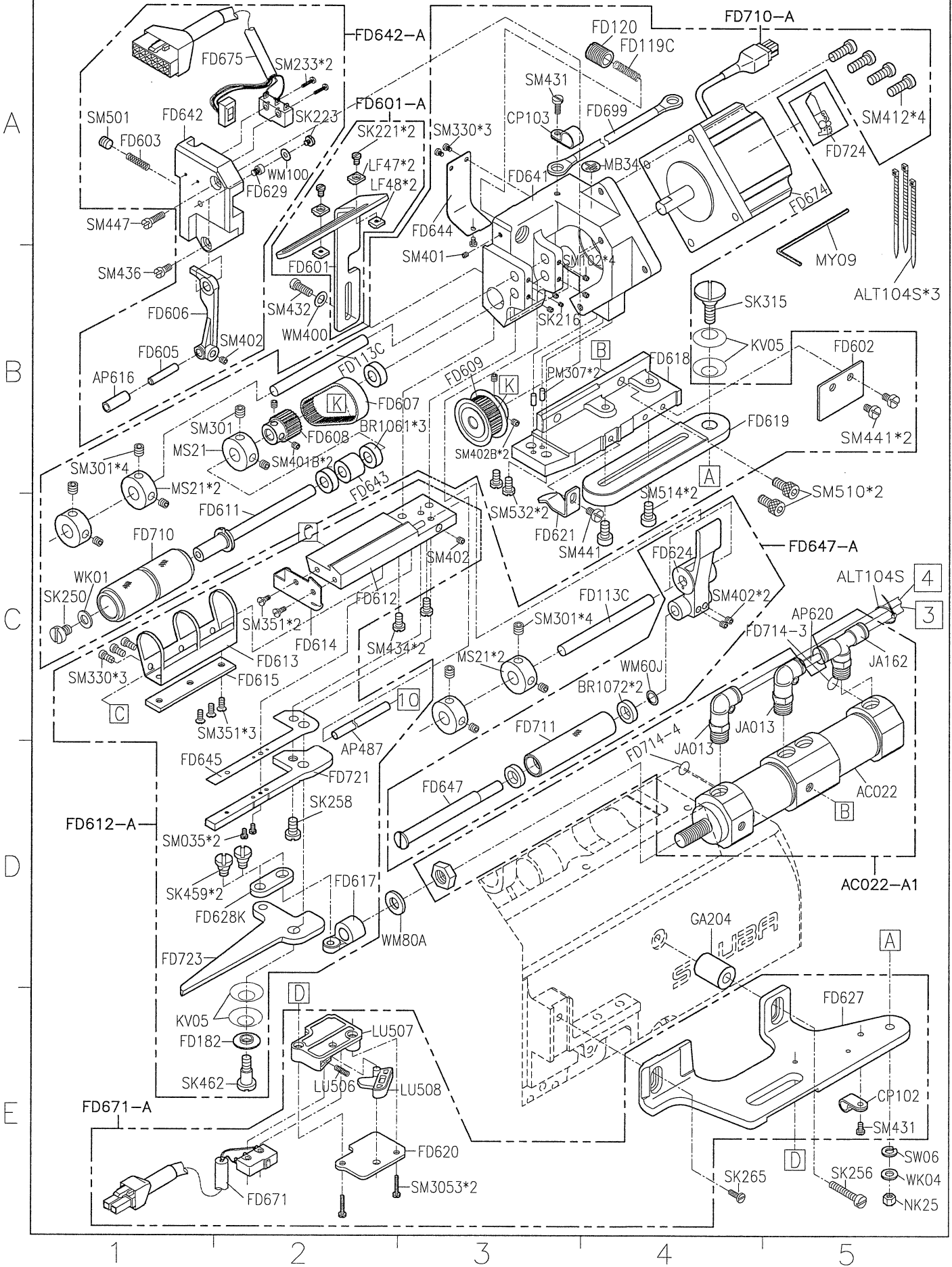
For
Long Wheel
Cut Limit 40mm

Page

2/12

Date

2017/02/06



SIRUBA

PARTS LIST

Series

700KS

Parts Group

**LFD6-K
LFD6A-K**

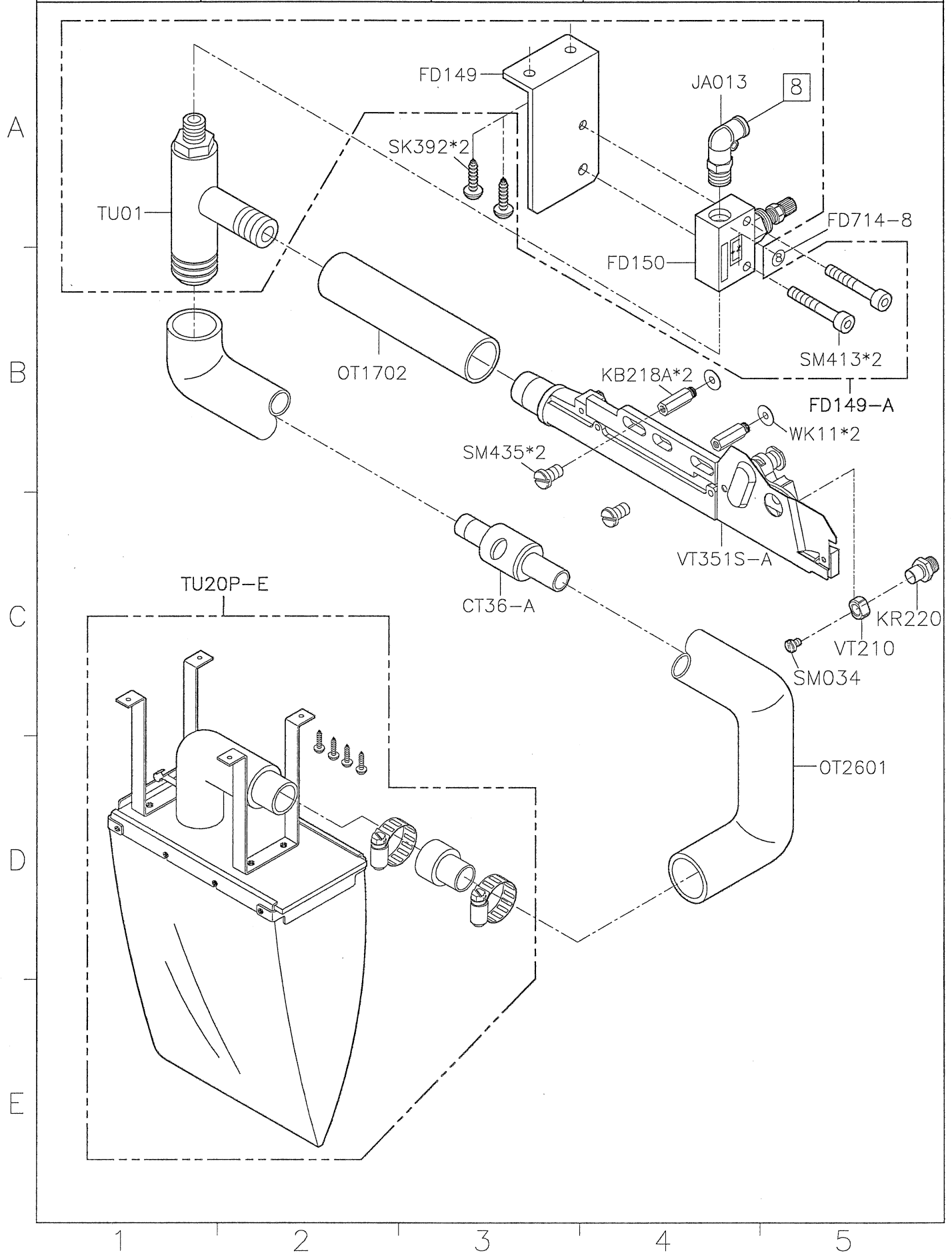
Subclass / Remark

Page

3/12

Date

2017/03/15



SIRUBA PARTS LIST	Series	Parts Group	Subclass / Remark	Page
	700KS	LFD6-K LFD6A-K	With Thread Release Device 含鬆線裝置 (3線)	4/12
				Date
				2017/02/06

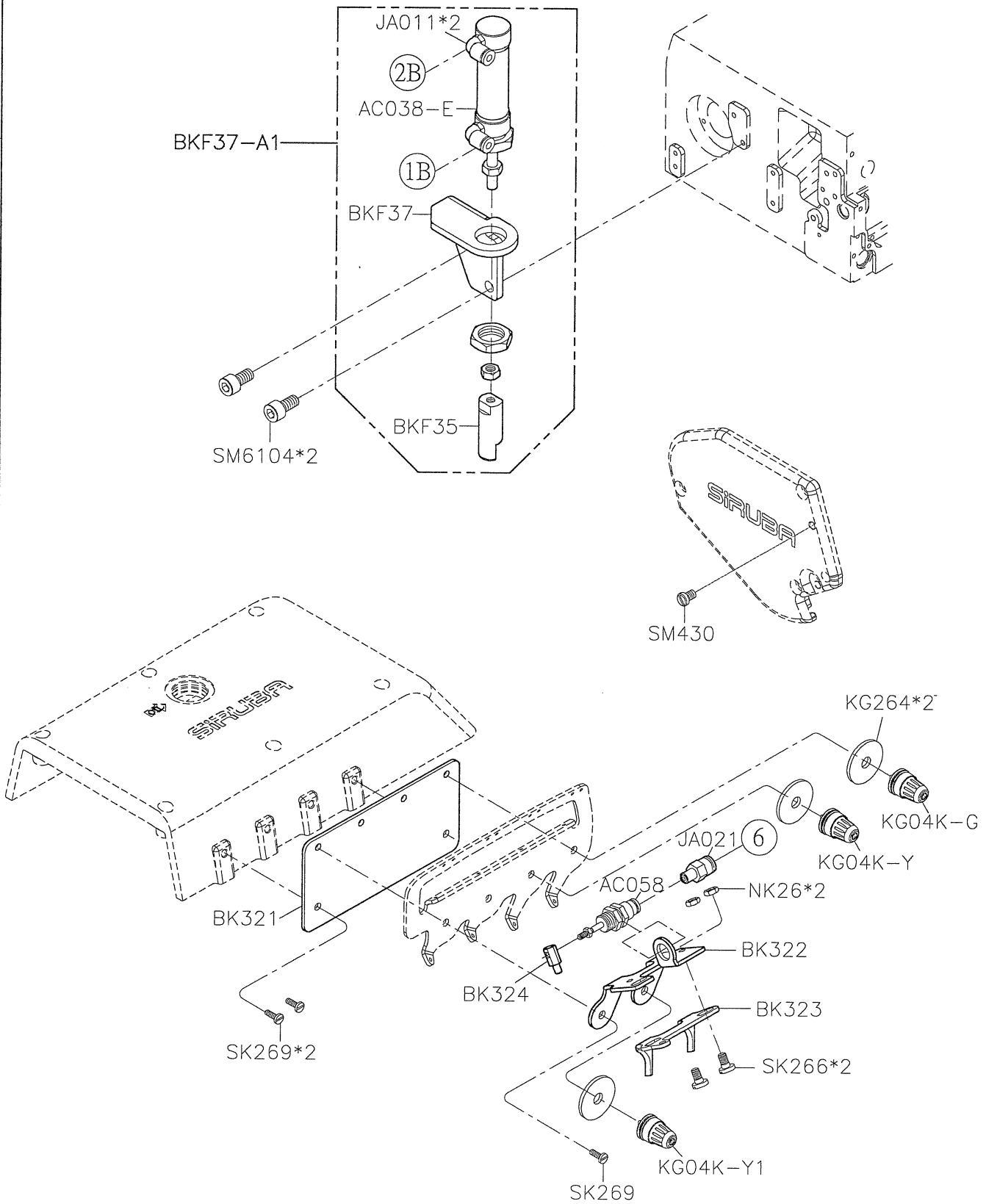
A

B

C

D

E



1

2

3

4

5

SIRUBA PARTS LIST	Series	Parts Group	Subclass / Remark	Page
	700KS	LFD6-K LFD6A-K	With Thread Release Device 含鬆線裝置 (4線)	5/12
				Date
				2017/02/06

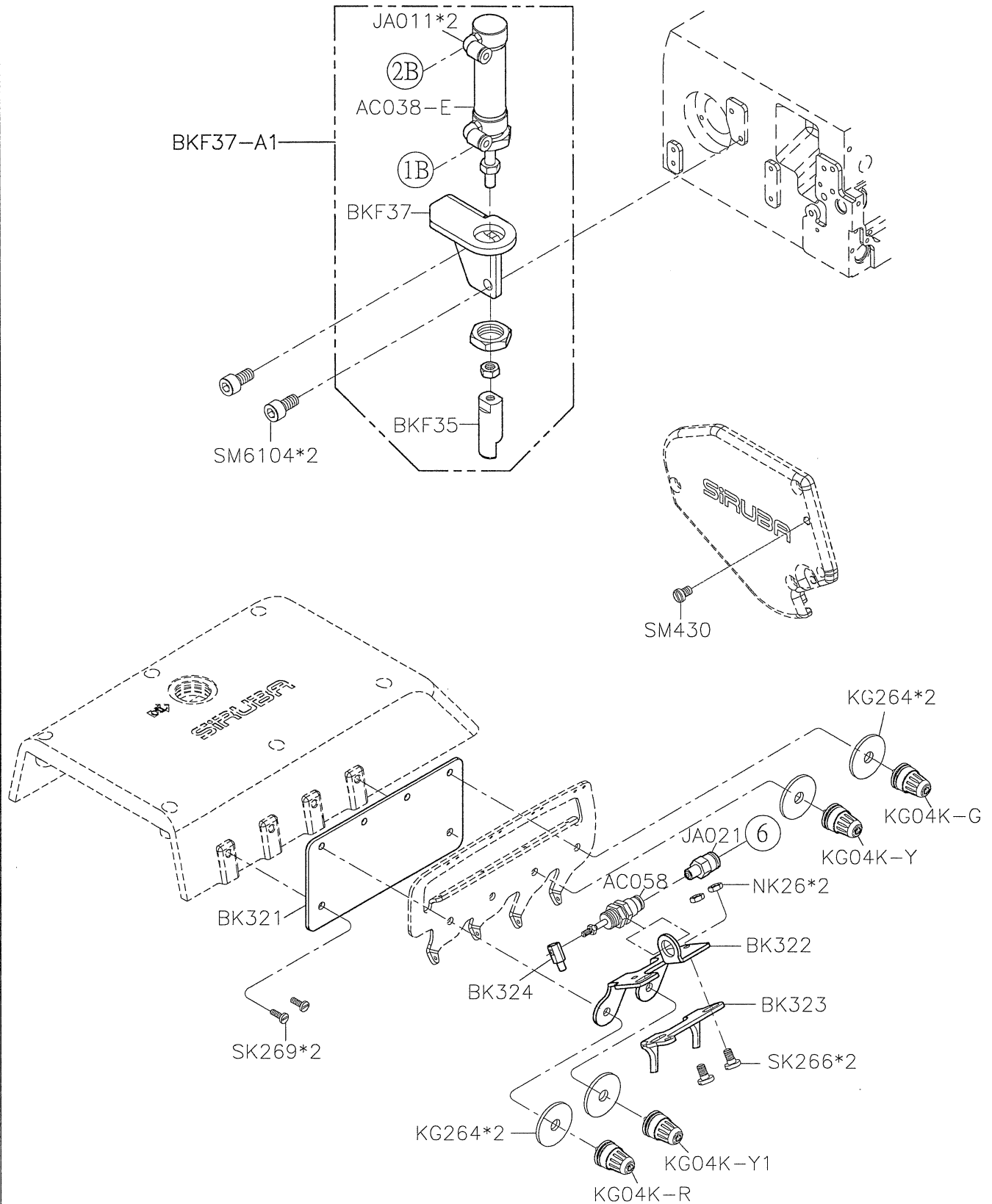
A

B

C

D

E



1

2

3

4

5

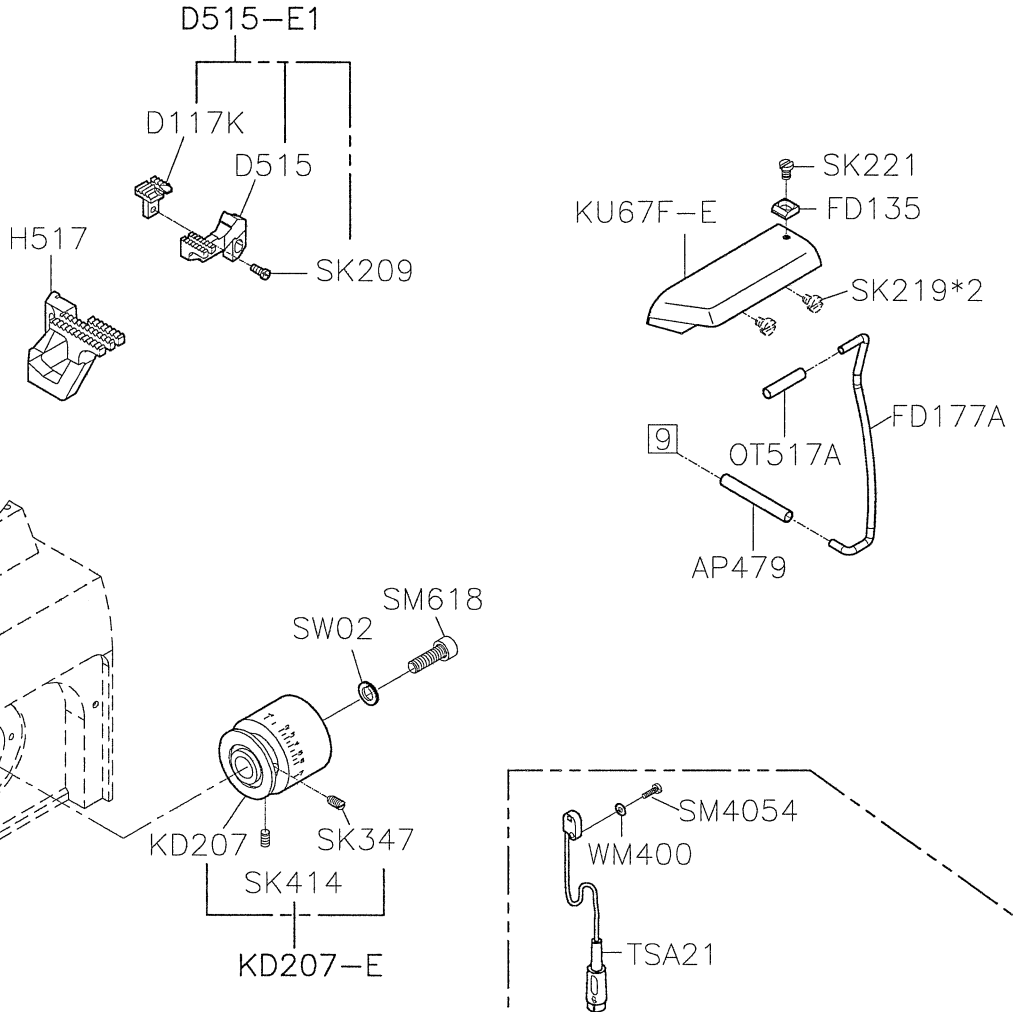
A

B

C

D

E



客戶選配 SIRUBA 伺服馬達內附
For customer's option
Attached with the SIRUBA servo motor

線別種類	針板	押具組	適用範圍 (鬆緊帶寬)
737	E324K	P212A-A1	1/8"~1/2"
		P212A-3A1	3/8"~7/8"
		P212A-5A1	3/4"~2 1/4"
747	E434K	P212A-2A1	1/8"~1/2"
		P212A-4A1	3/8"~7/8"
		P212A-6A1	3/4"~2 1/4"

SIRUBA

PARTS LIST

Series

700KS

Parts Group

**LFD6-K
LFD6A-K**

Subclass / Remark

Page

7/12

Date

2017/02/06

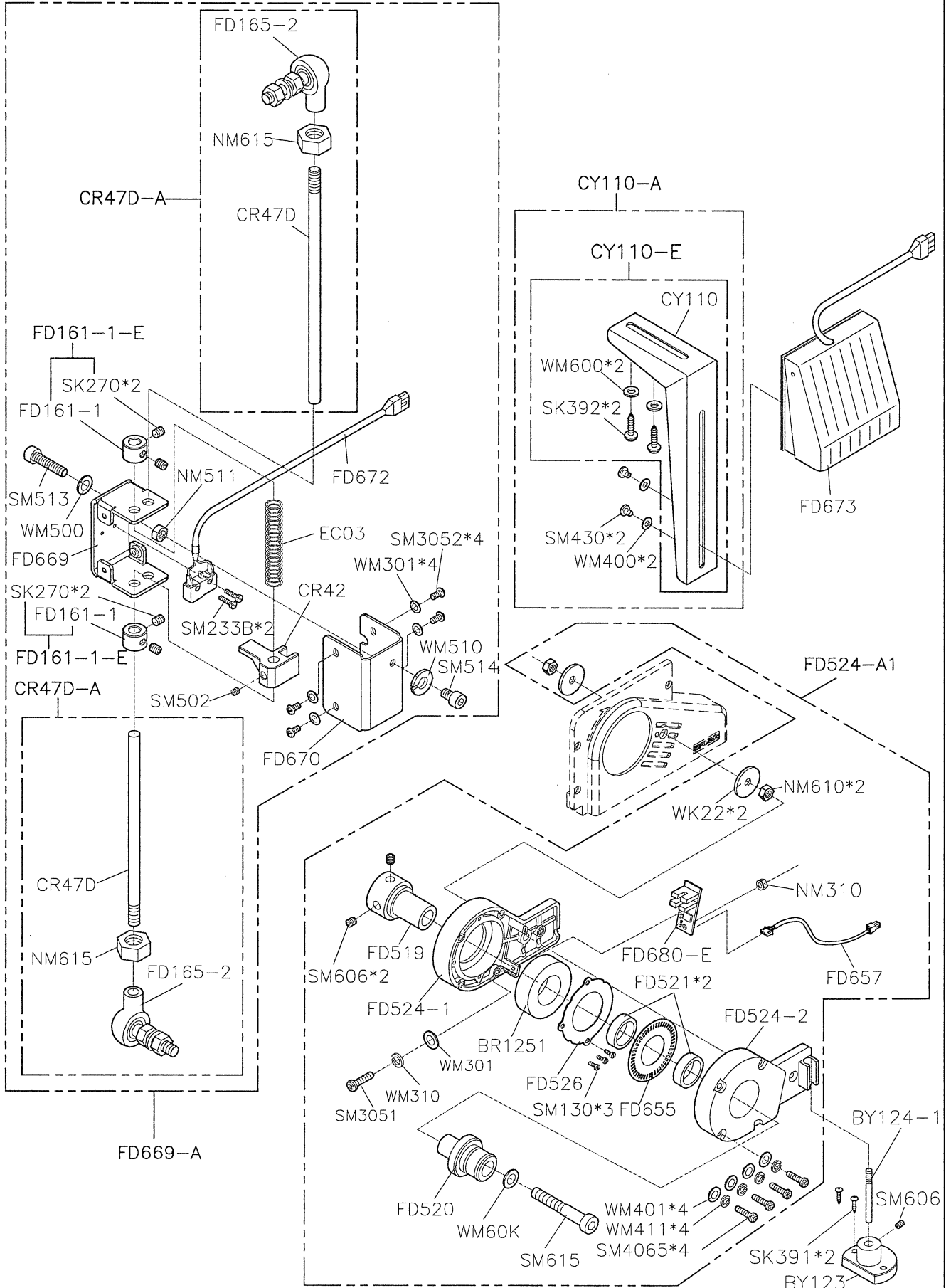
A

B

C

D

E



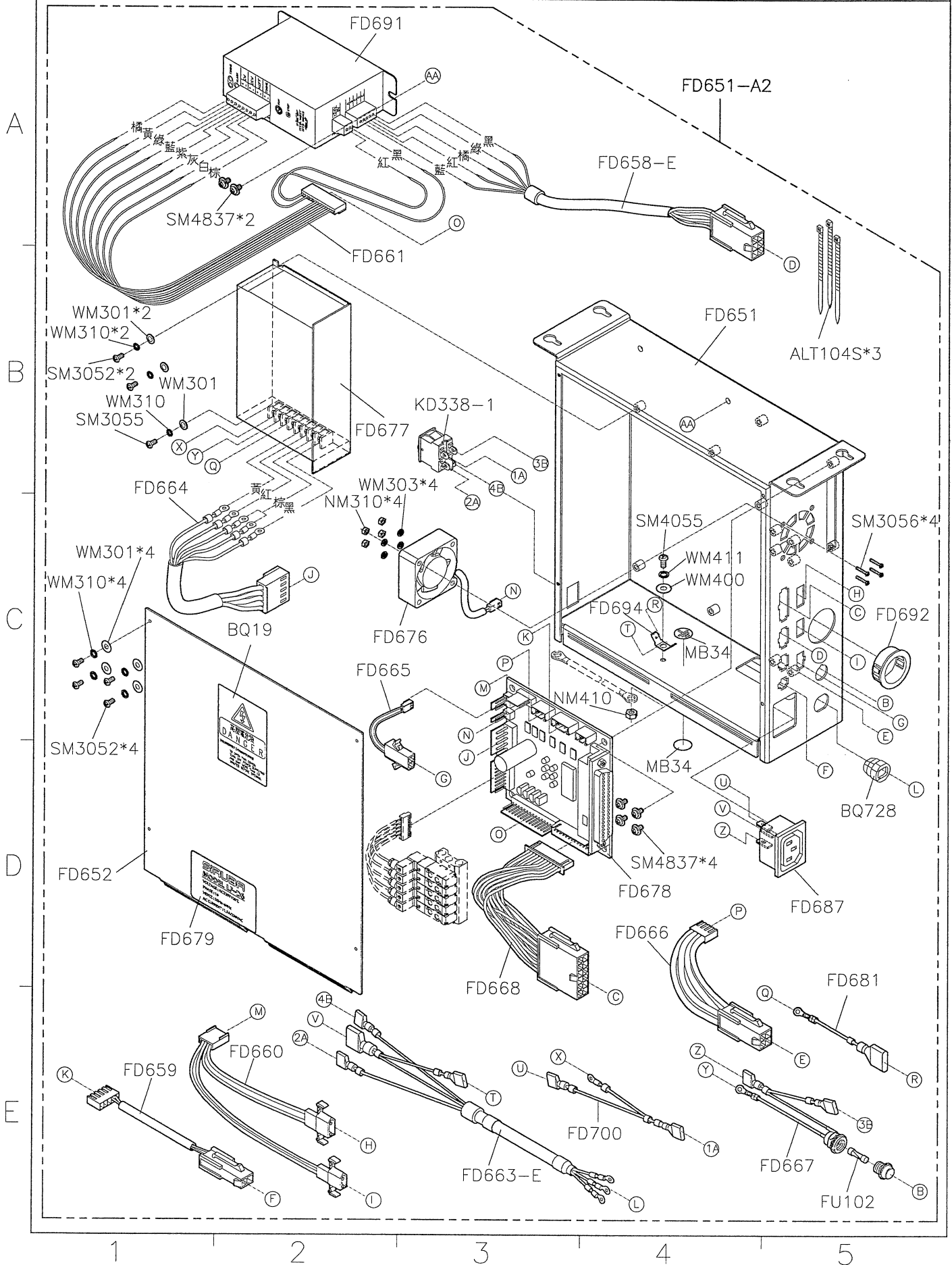
1

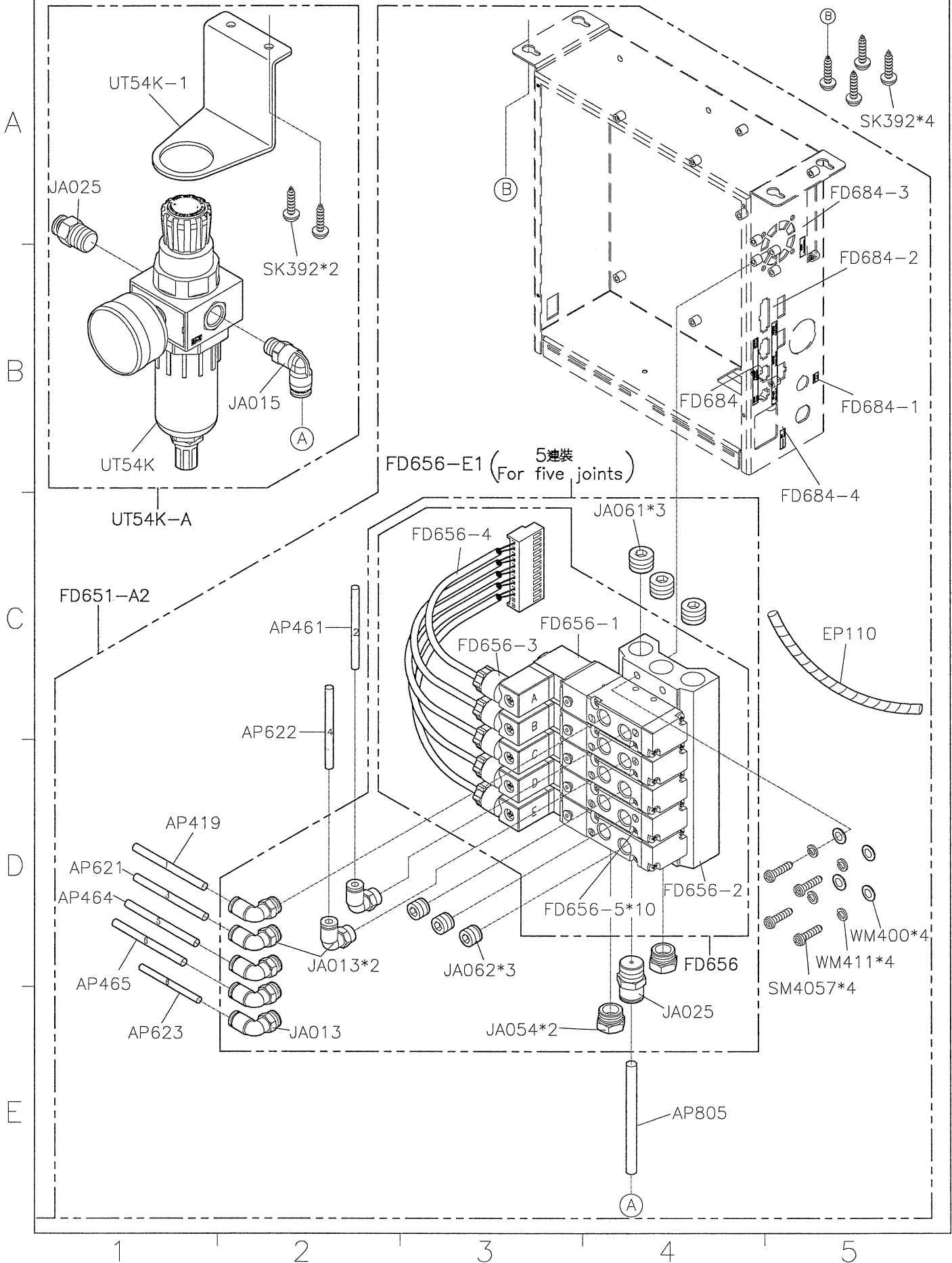
2

3

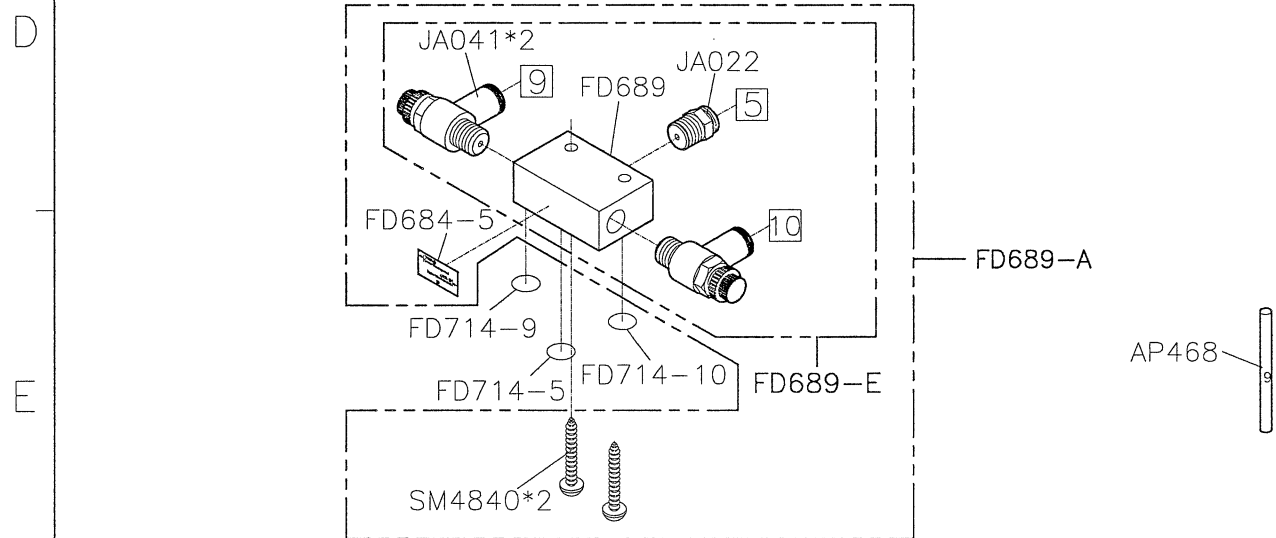
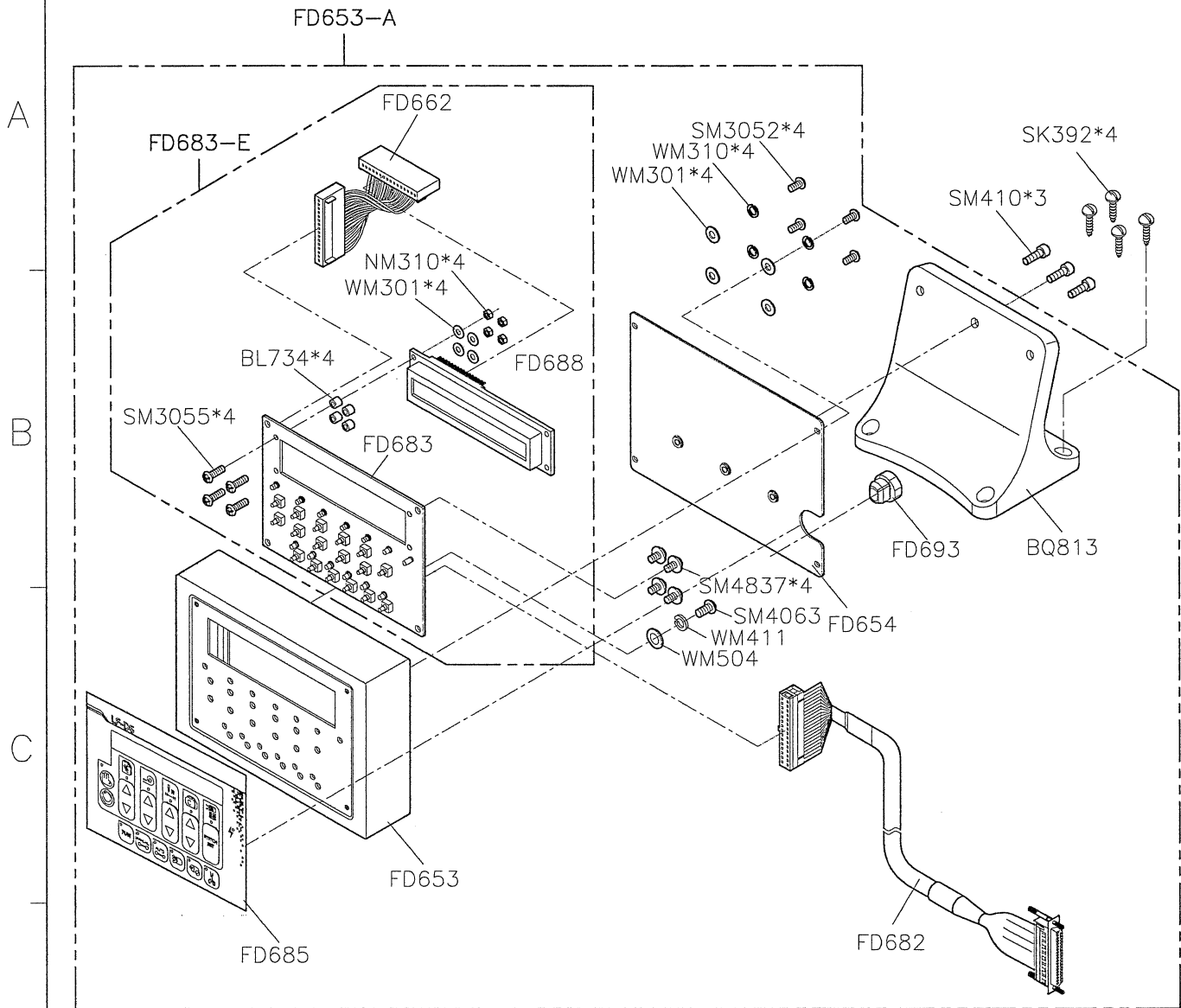
4

5





SIRUBA PARTS LIST	Series	Parts Group	Subclass / Remark	Page
	700KS	LFD6-K		10/12
		LFD6A-K		Date
				2017/02/06



SIRUBA PARTS LIST	Series	Parts Group	Subclass / Remark	Page
	700KS	LFD6-K LFD6A-K		11/12
				Date
				2017/02/06

FD690-A2

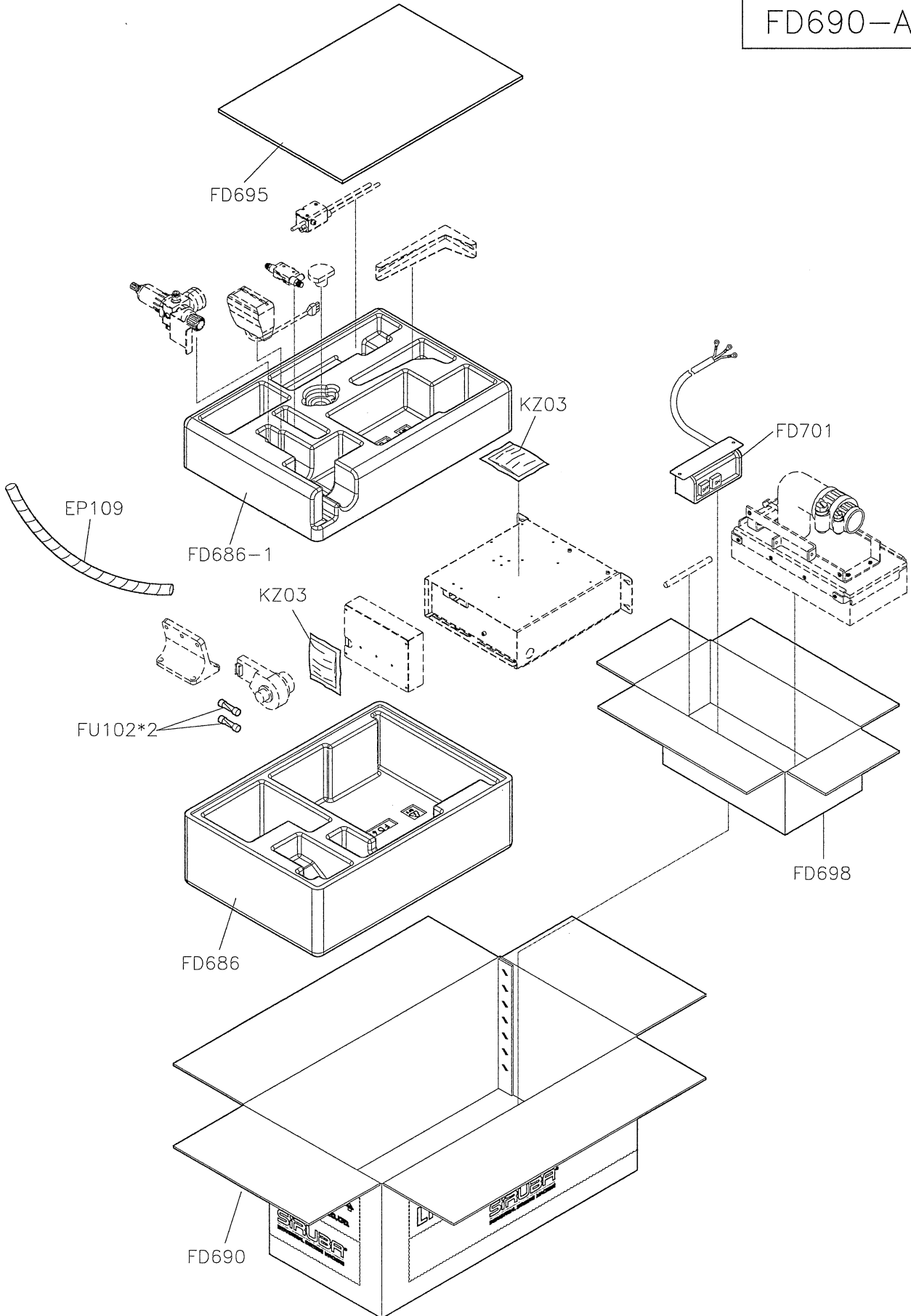
A

B

C

D

E



1

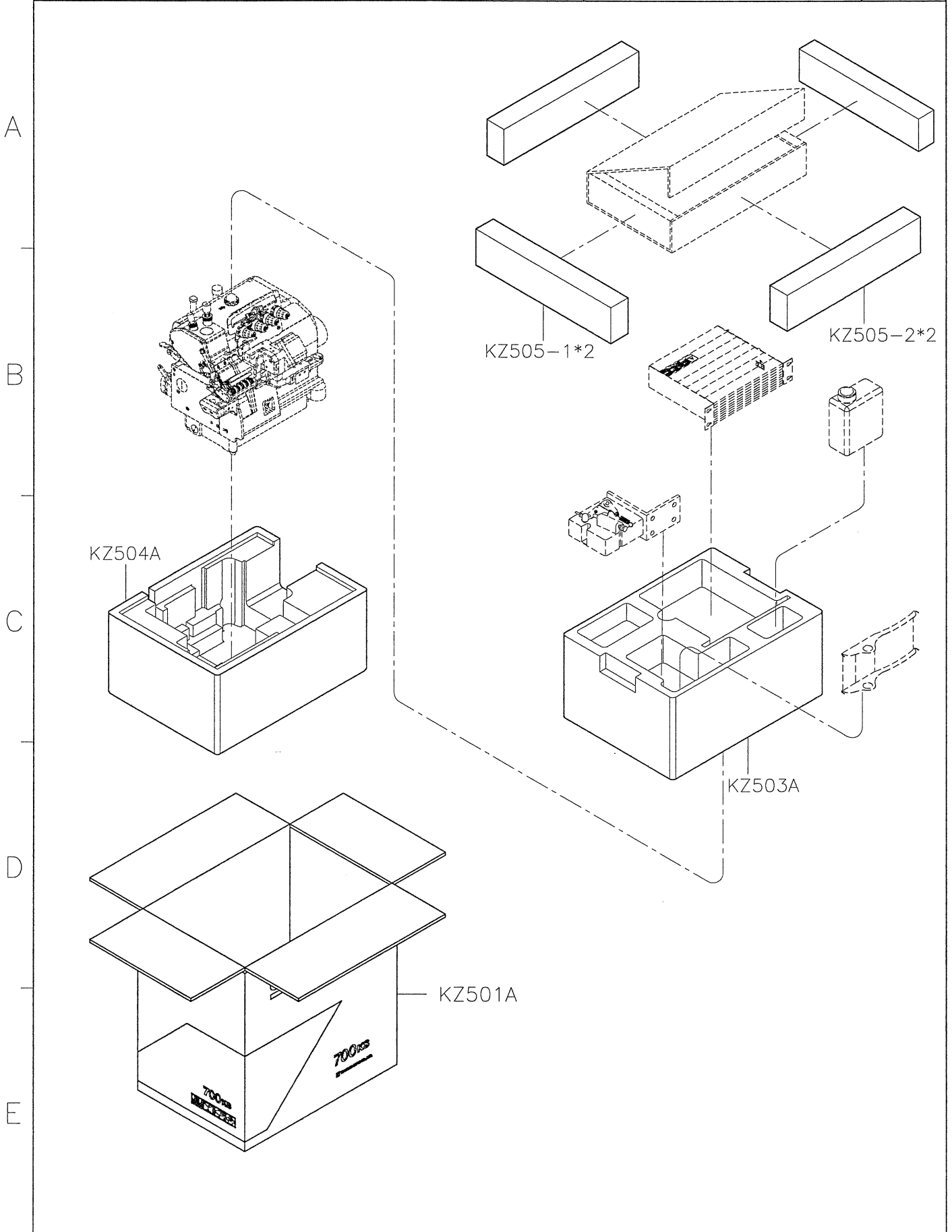
2

3

4

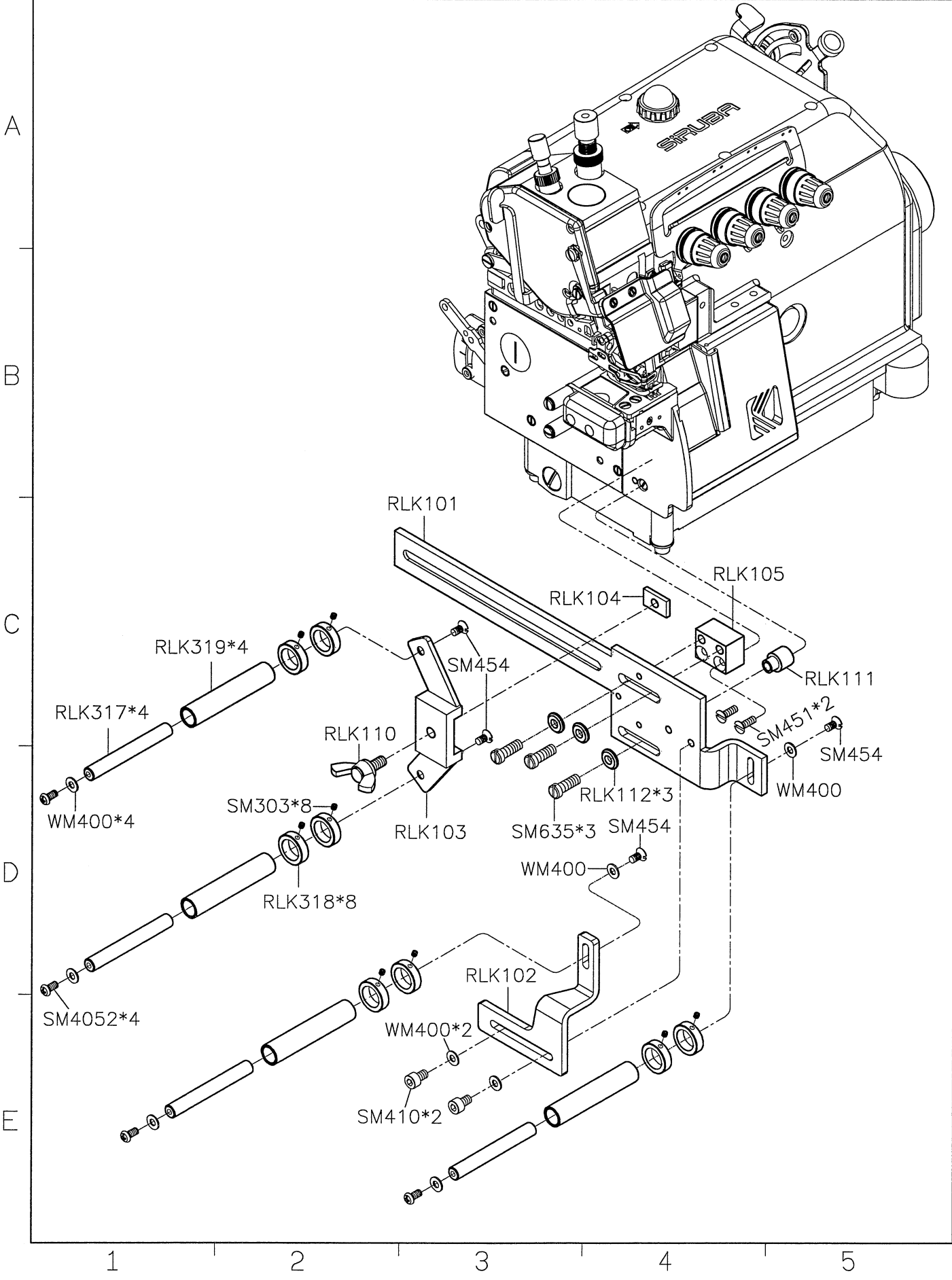
5

SIRUBA PARTS LIST	Series	Parts Group	Subclass / Remark	Page
	700KS	LFD6-K		12/12
		LFD6A-K		Date
				2017/02/06

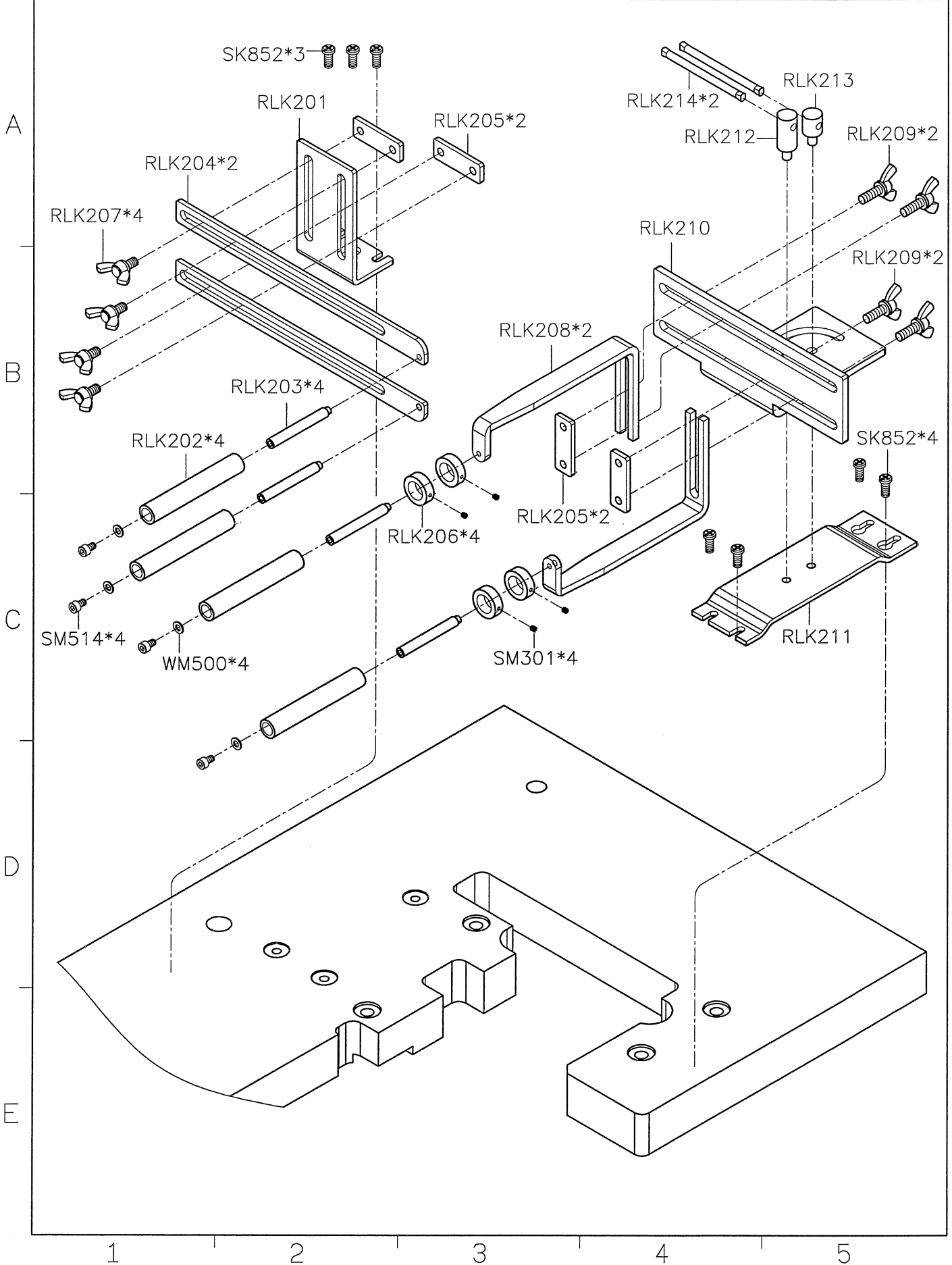


1 2 3 4 5

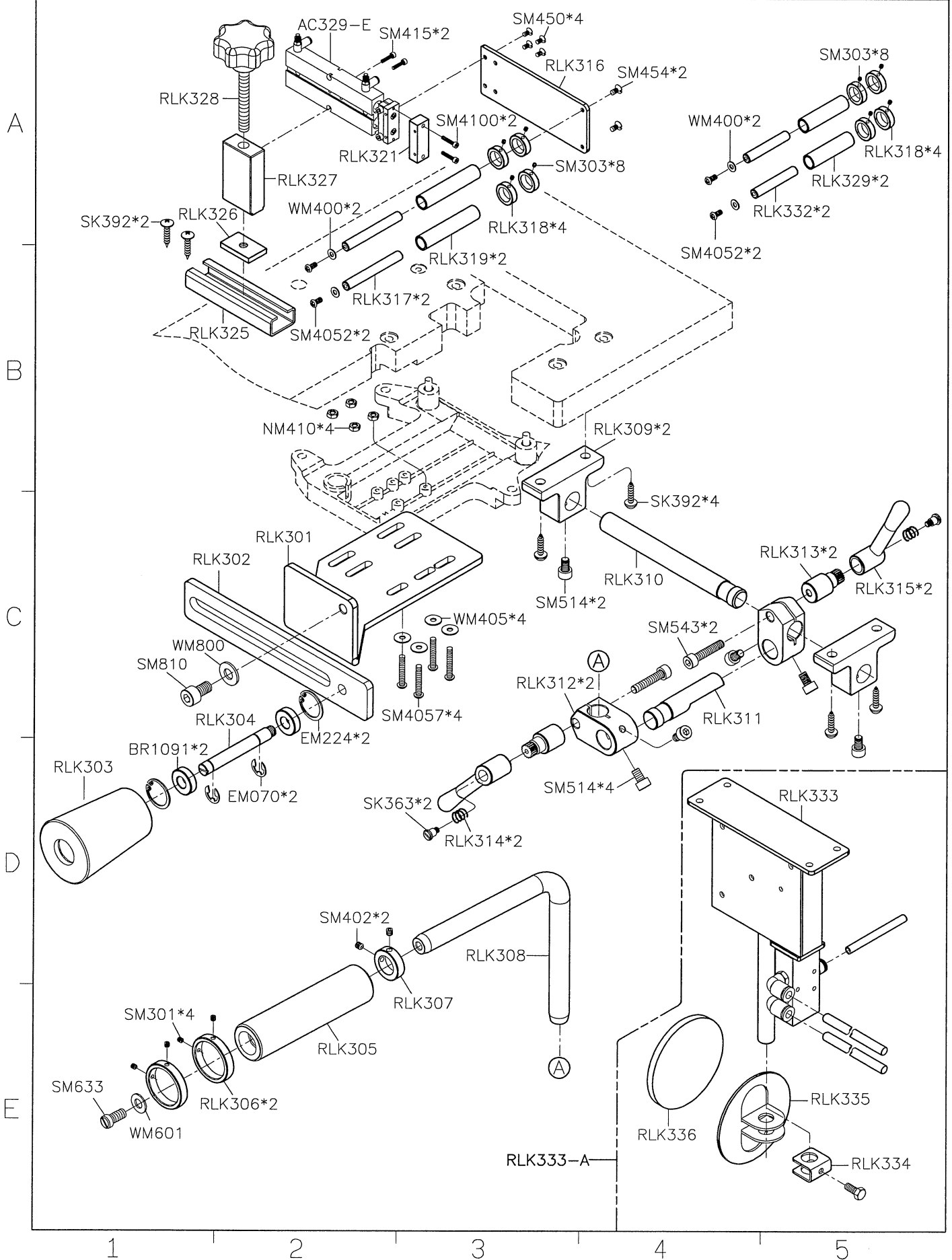
SIRUBA PARTS LIST	Series	Parts Group	Subclass / Remark	Page
	700KS/700KST	RLK1		1/1
				Date
				2013/12/12

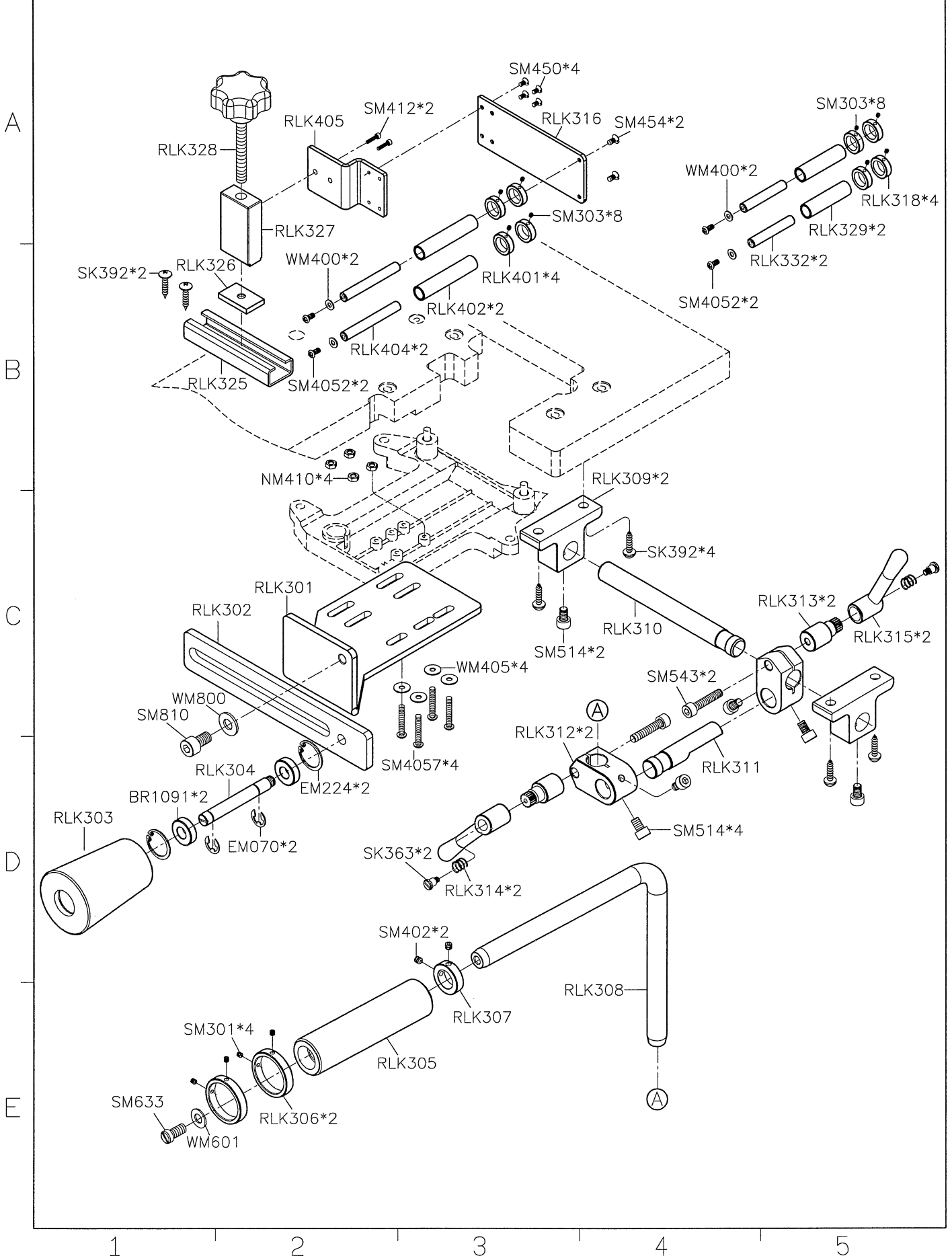


SIRUBA PARTS LIST	Series	Parts Group	Subclass / Remark	Page
	700KS/700KST	RLK2		1/1
				Date
				2013/12/12



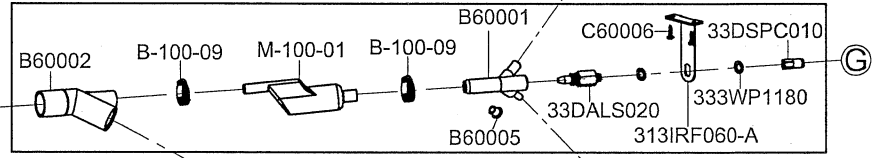
SIRUBA PARTS LIST	Series	Parts Group	Subclass / Remark	Page
	700KS/700KST	RLK3P		1/1
				Date
				2015/07/17



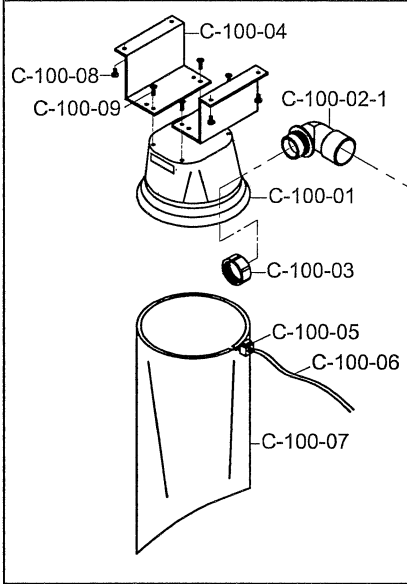


- 1) ★ Before installation, please check one side is Air IN, another side is Air OUT.
- 2) 空氣有效使用壓力
Effective air pressure: 4-6 kg/cm
- 3) 請適度修剪管子長度，以達到風力最佳效能。

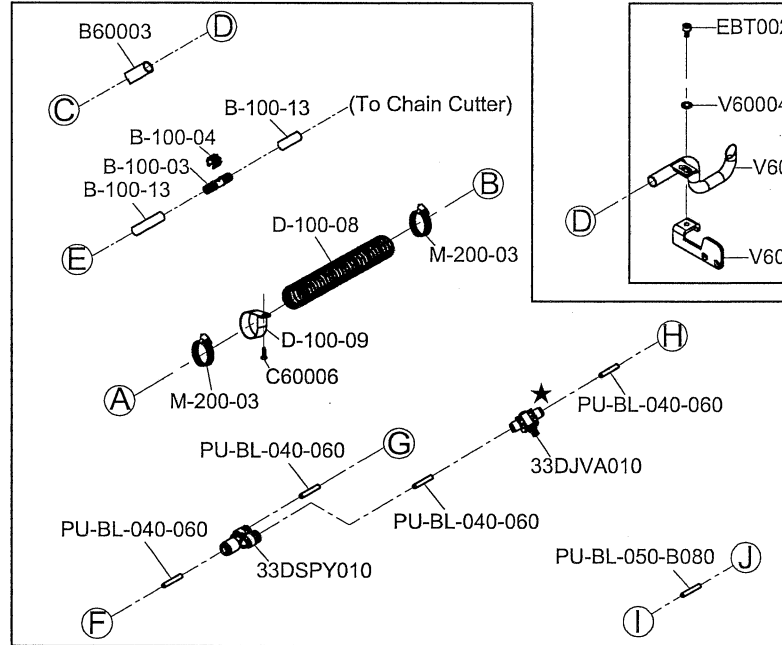
B-600



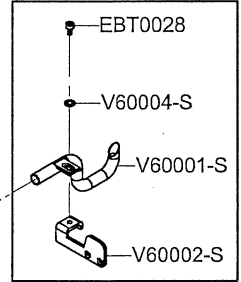
C-100-L



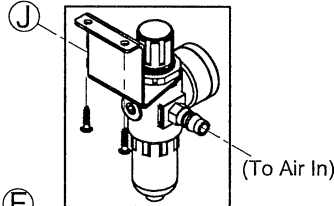
K-200



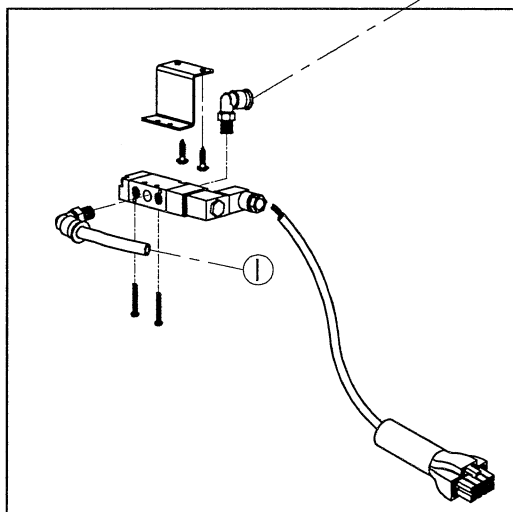
V-600-S



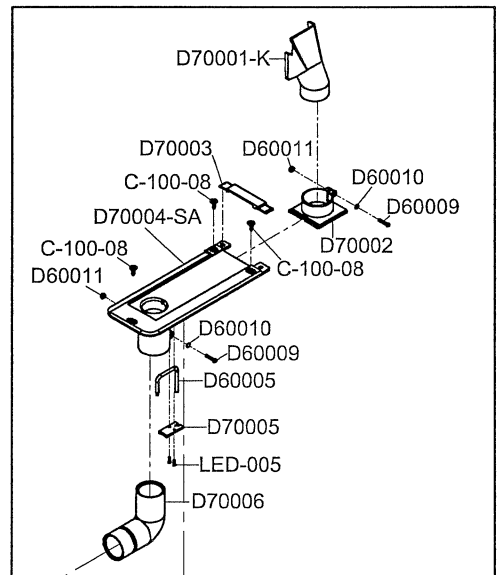
AFR-200-A



SV5101-D208N-2



D-700-S

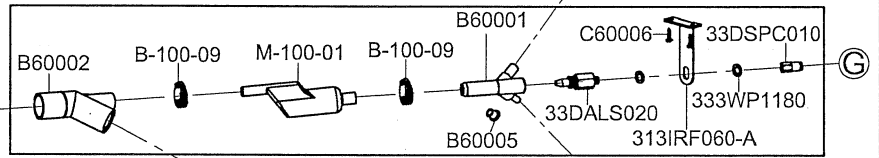


Note 註記:

- 1) ★ Before installation, please check one side is Air IN, another side is Air OUT.
- 2) 空氣有效使用壓力
Effective air pressure: 4-6 kg/cm
- 3) 請適度修剪管子長度，以達到風力最佳效能。

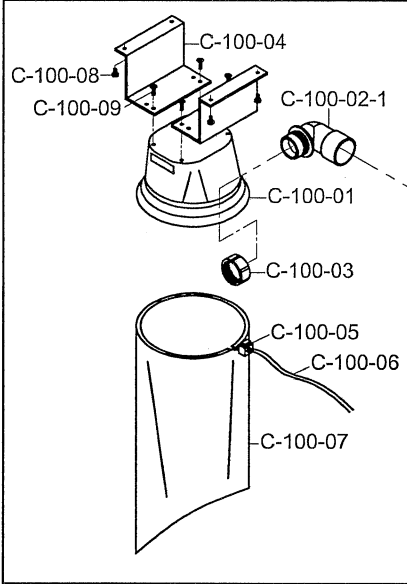
A

B-600

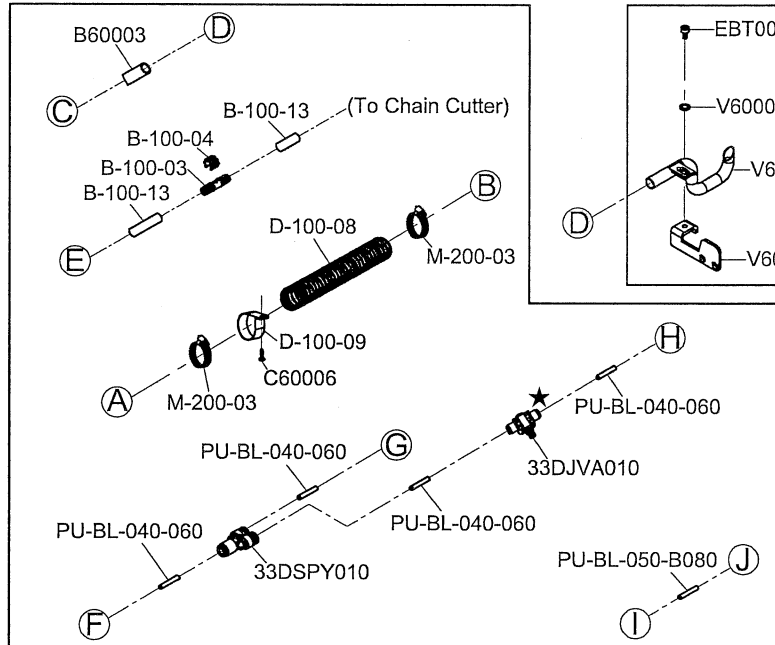


B

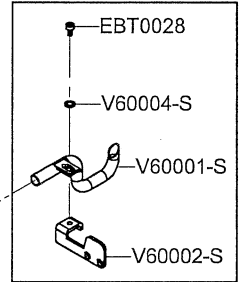
C-100-L



K-200



V-600-S

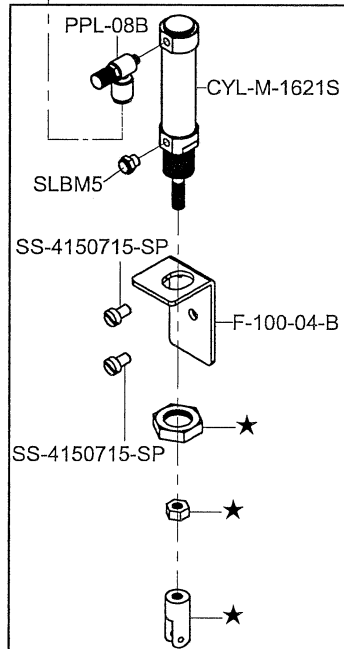


C

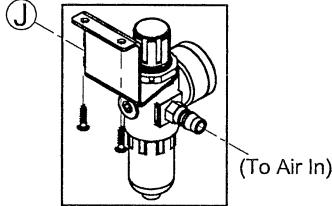
PU-BL-040-060

D

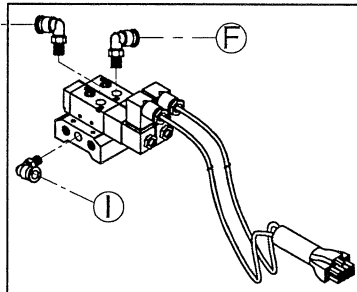
F-100-4-K



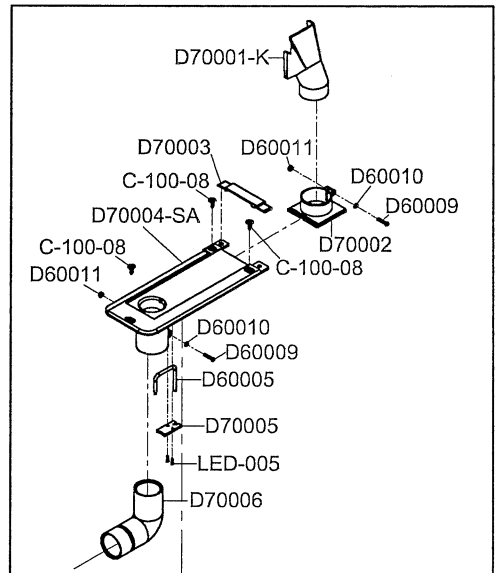
AFR-200-A



SV5101-D2KM2-9

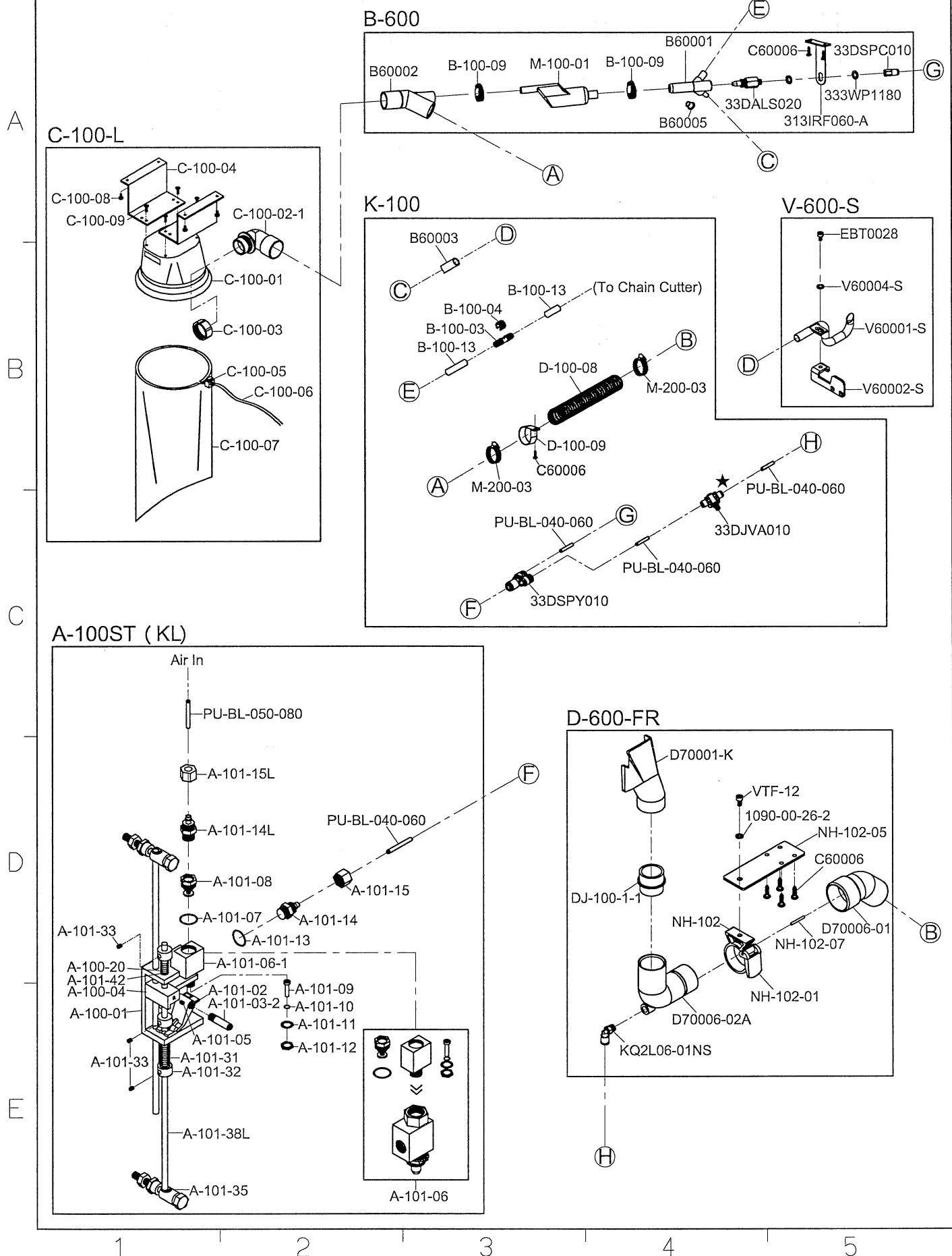


D-700-S

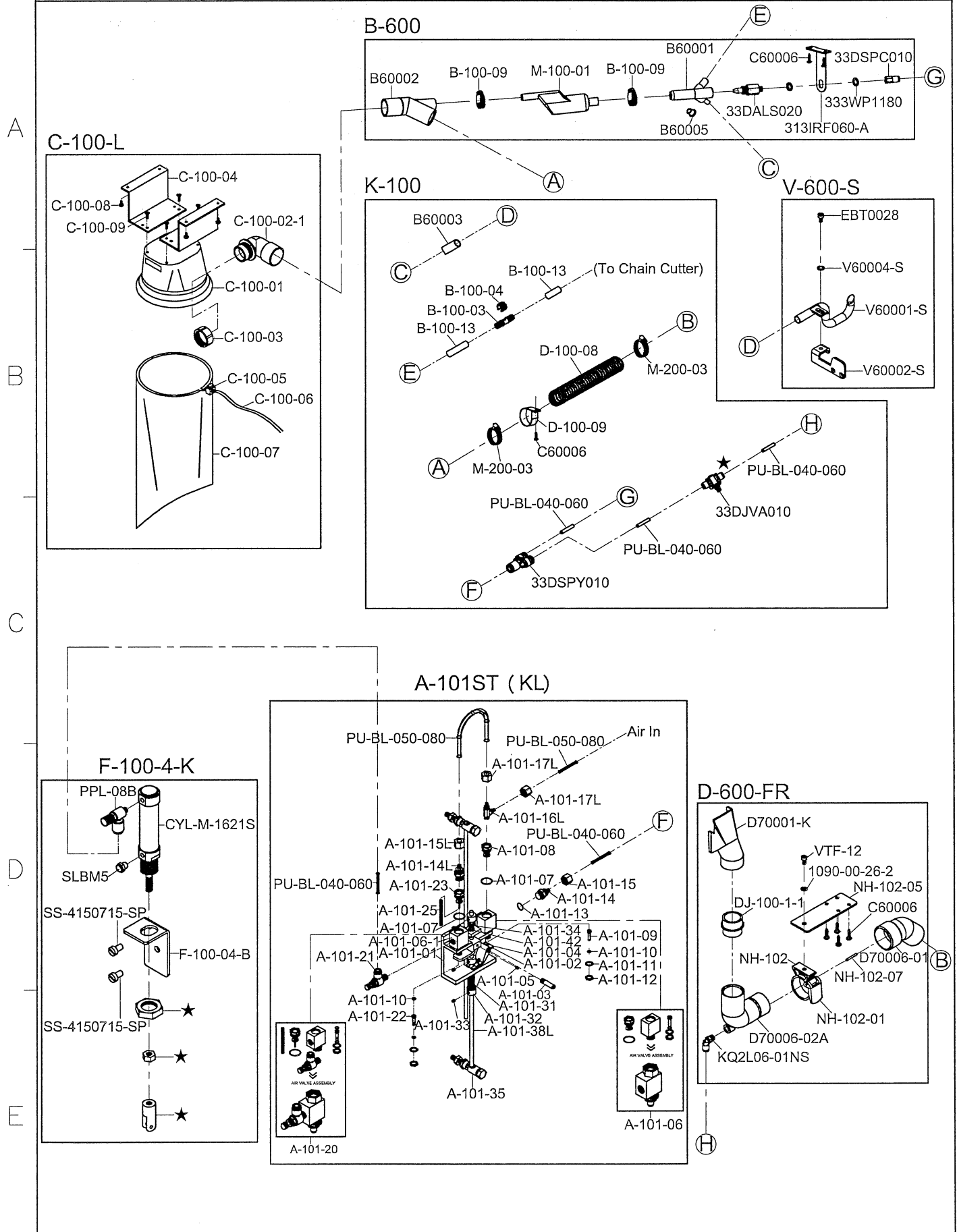


E

SIRUBA PARTS LIST	Series	Parts Group	Subclass / Remark	Page
	700KS 700KST	TUA-39S	Note 註記: 1) ★ Before installation, please check one side is Air IN, another side is Air OUT. 2) 空氣有效使用壓力 Effective air pressure: 4~6 kg/cm 3) 請適度修剪管子長度，以達到風力最佳效能。	1/1
				Date 2016/11/02

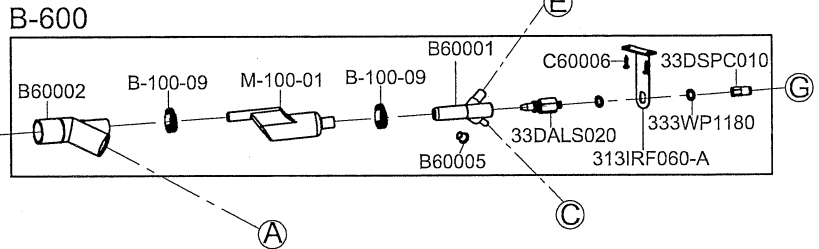


SIRUBA PARTS LIST	Series	Parts Group	Subclass / Remark	Page
	700KS	TUA-40S	Note 註記: 1) ★ Before installation, please check one side is Air IN, another side is Air OUT. 2) 空氣有效使用壓力 Effective air pressure: 4~6 kg/cm 3) 請適度修剪管子長度，以達到風力最佳效能。	1/1
				Date
				2016/11/02

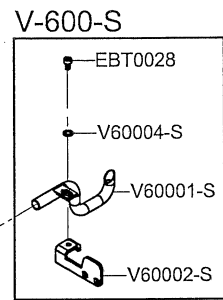
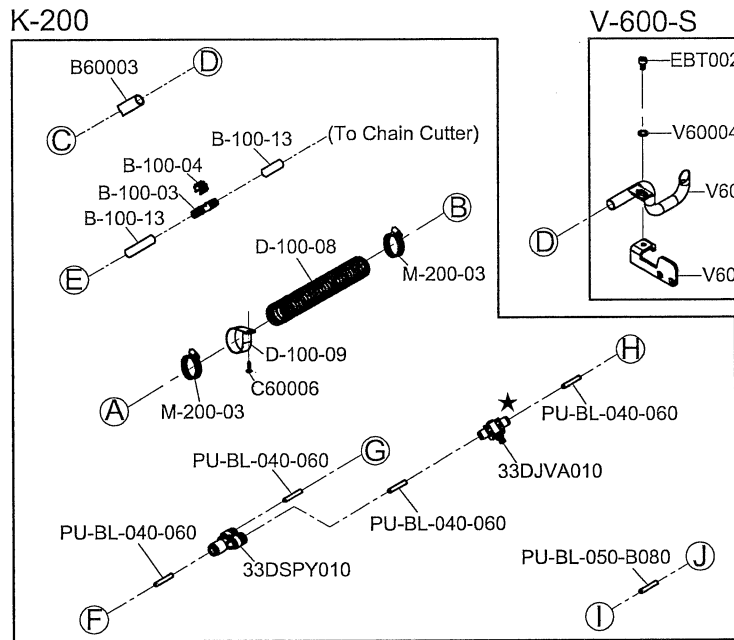
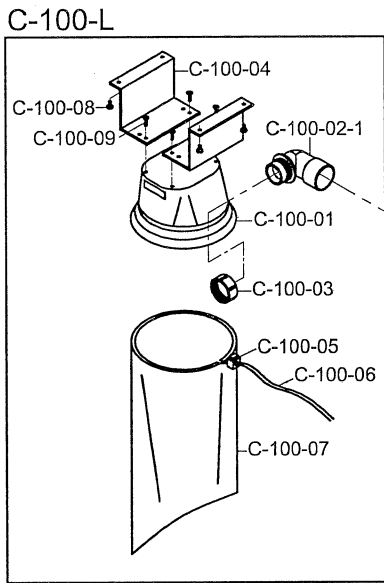


Note 註記:
1) ★ Before installation, please check one side is Air IN, another side is Air OUT.
2) 空氣有效使用壓力
Effective air pressure: 4-6 kg/cm
3) 請適度修剪管子長度，以達到風力最佳效能。

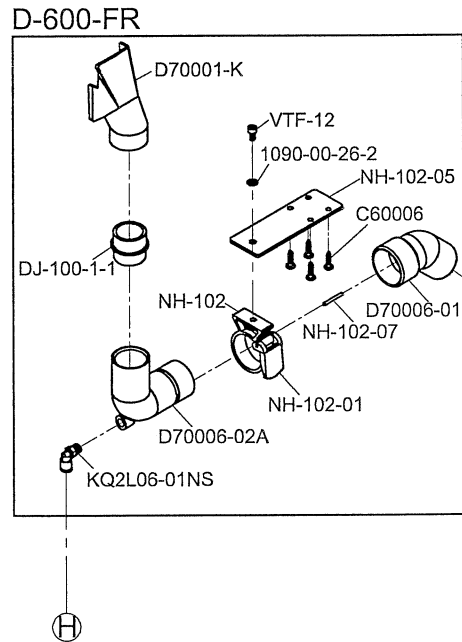
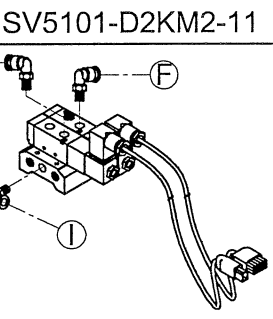
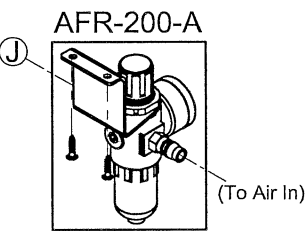
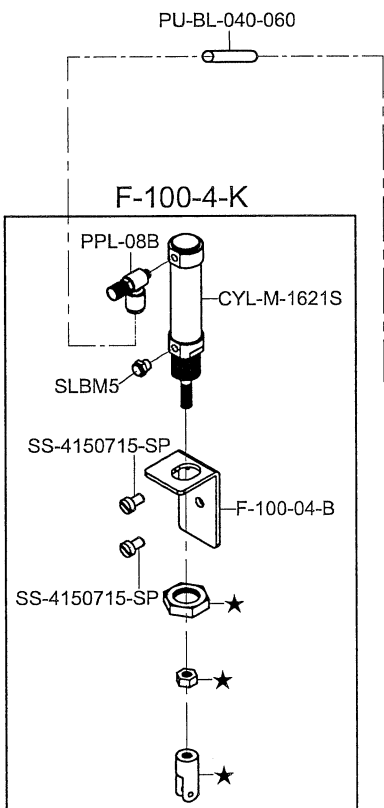
A



B



C



D

E

SIRUBA PARTS LIST	Series	Parts Group	Subclass / Remark	Page
	700KS	VT-KS		1/1
				Date
				2016/05/20

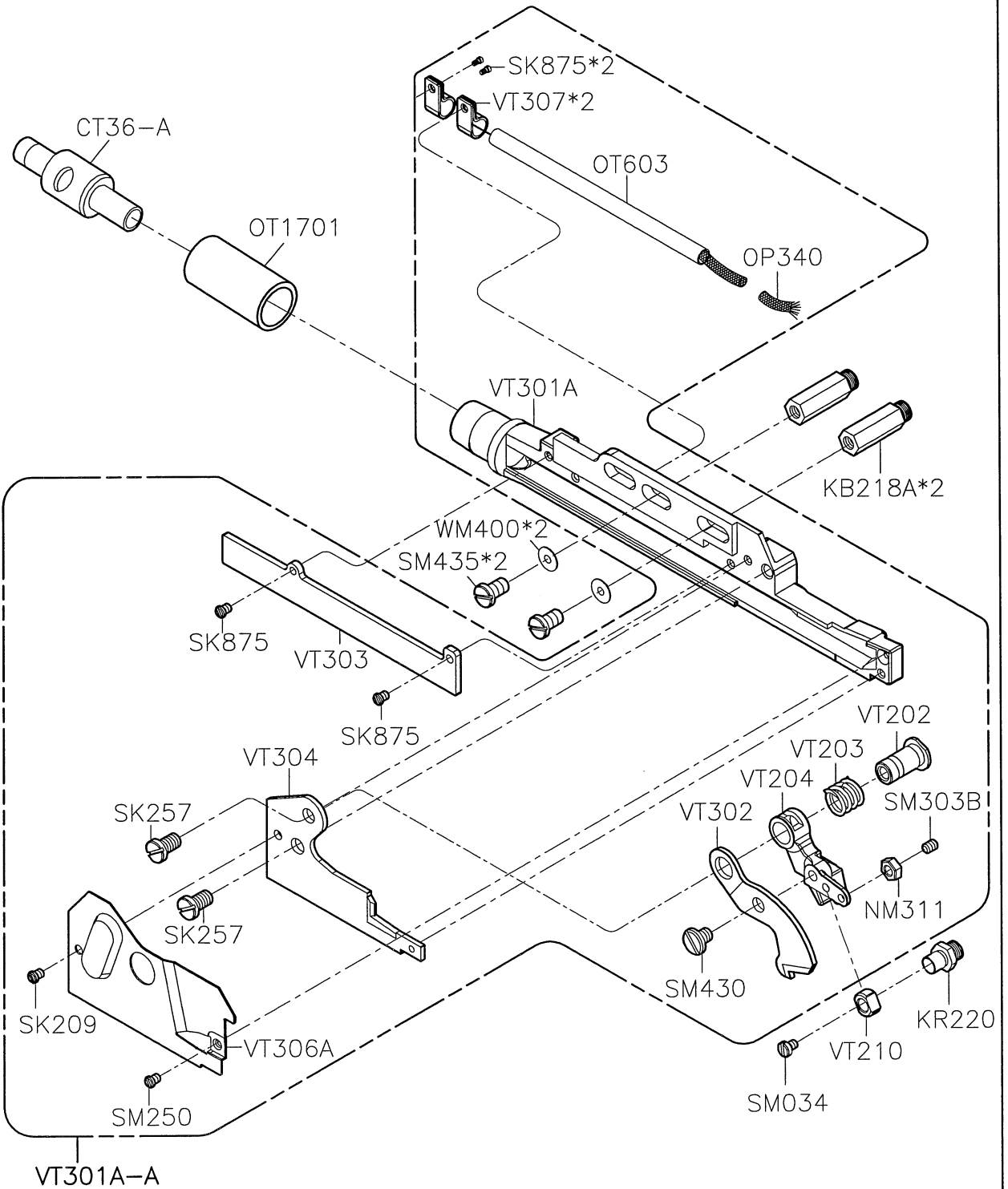
A

B

C

D

E



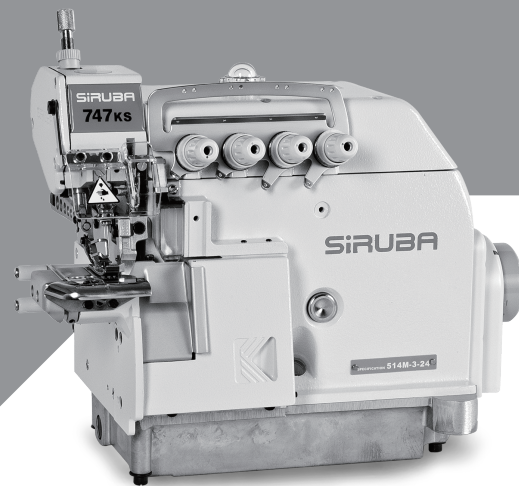
1

2

3

4

5



 高林股份有限公司
KAULIN MFG. CO., LTD.

由於對產品的改良及更新，本產品使用說明書中與零件圖之產品及外觀的修改恕不事先通知！
The specification and/or appearances of the equipment described in this instruction book & parts list are subject to change because of modification which will without previous notice.
700KS.OCT.2014