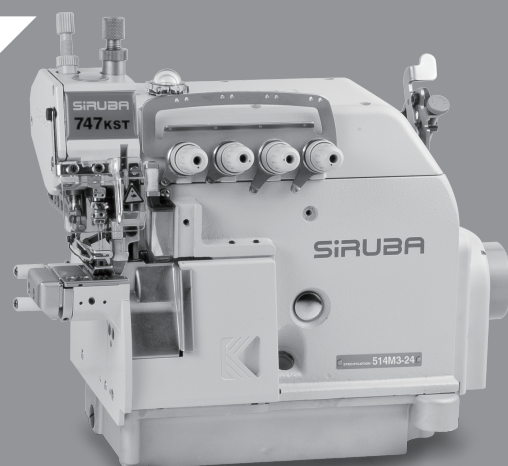


**SIRUBA**<sup>®</sup> Sew Reach

零件圖

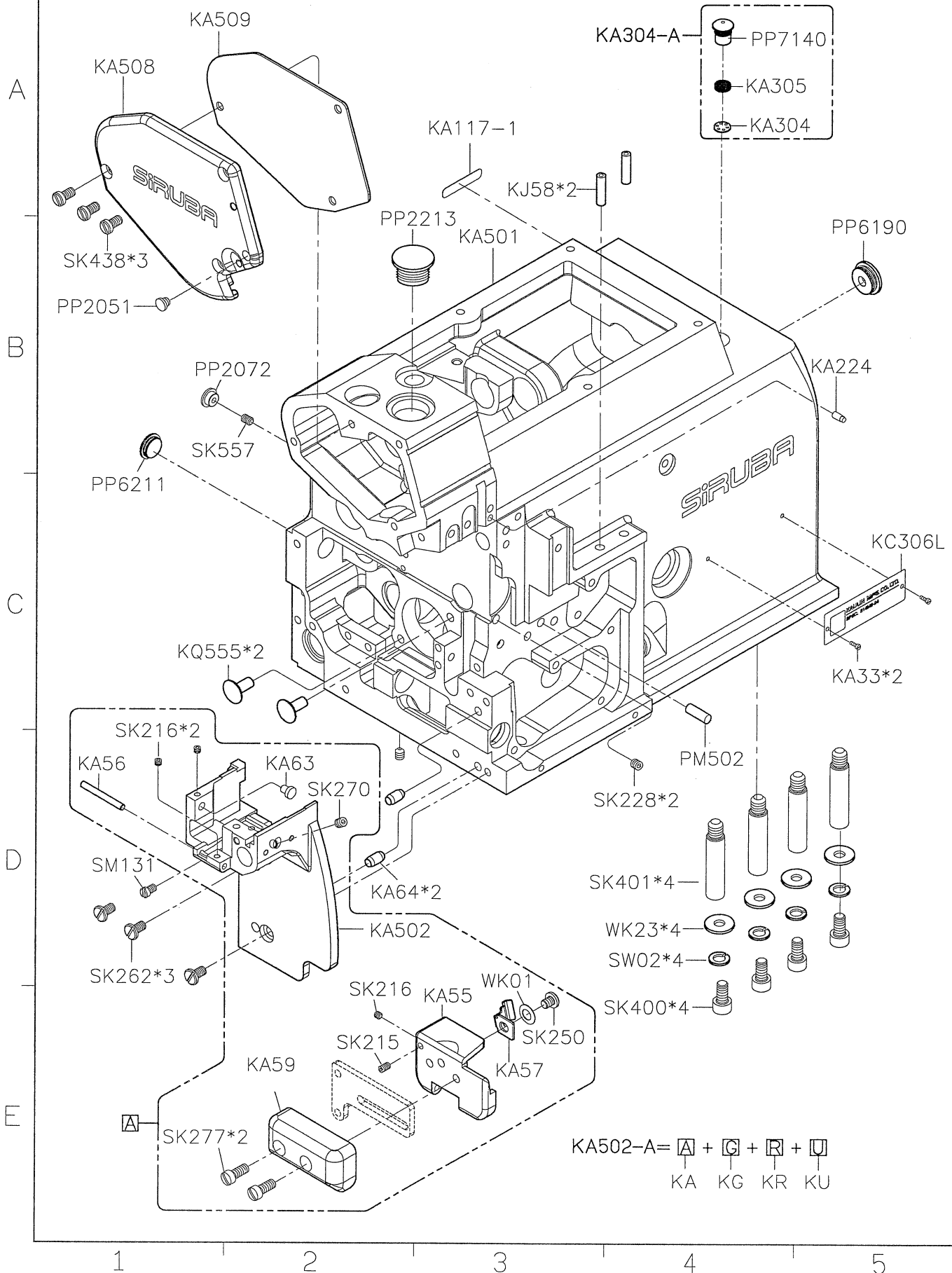
PARTS LIST

■ 700KST

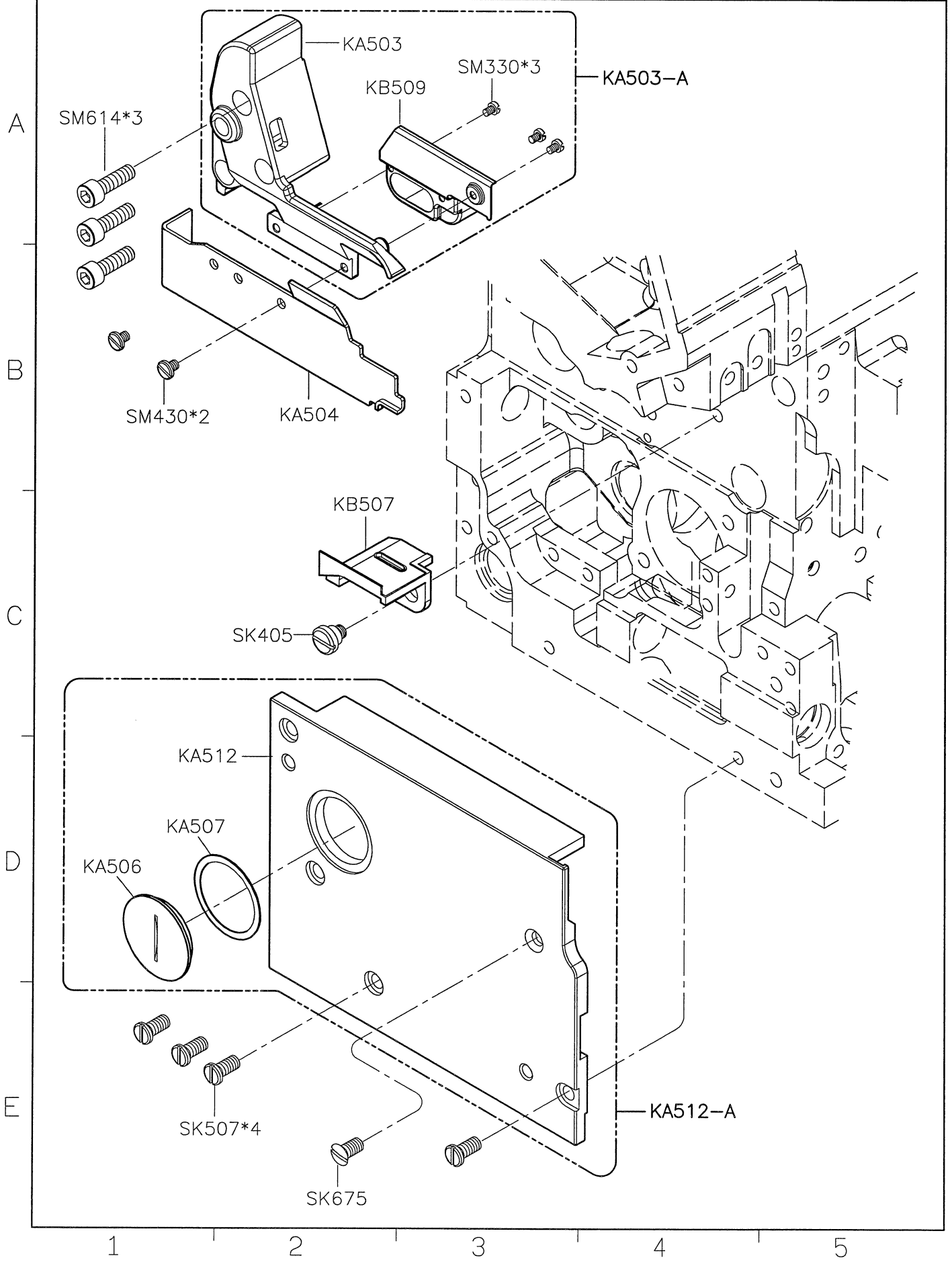


CE

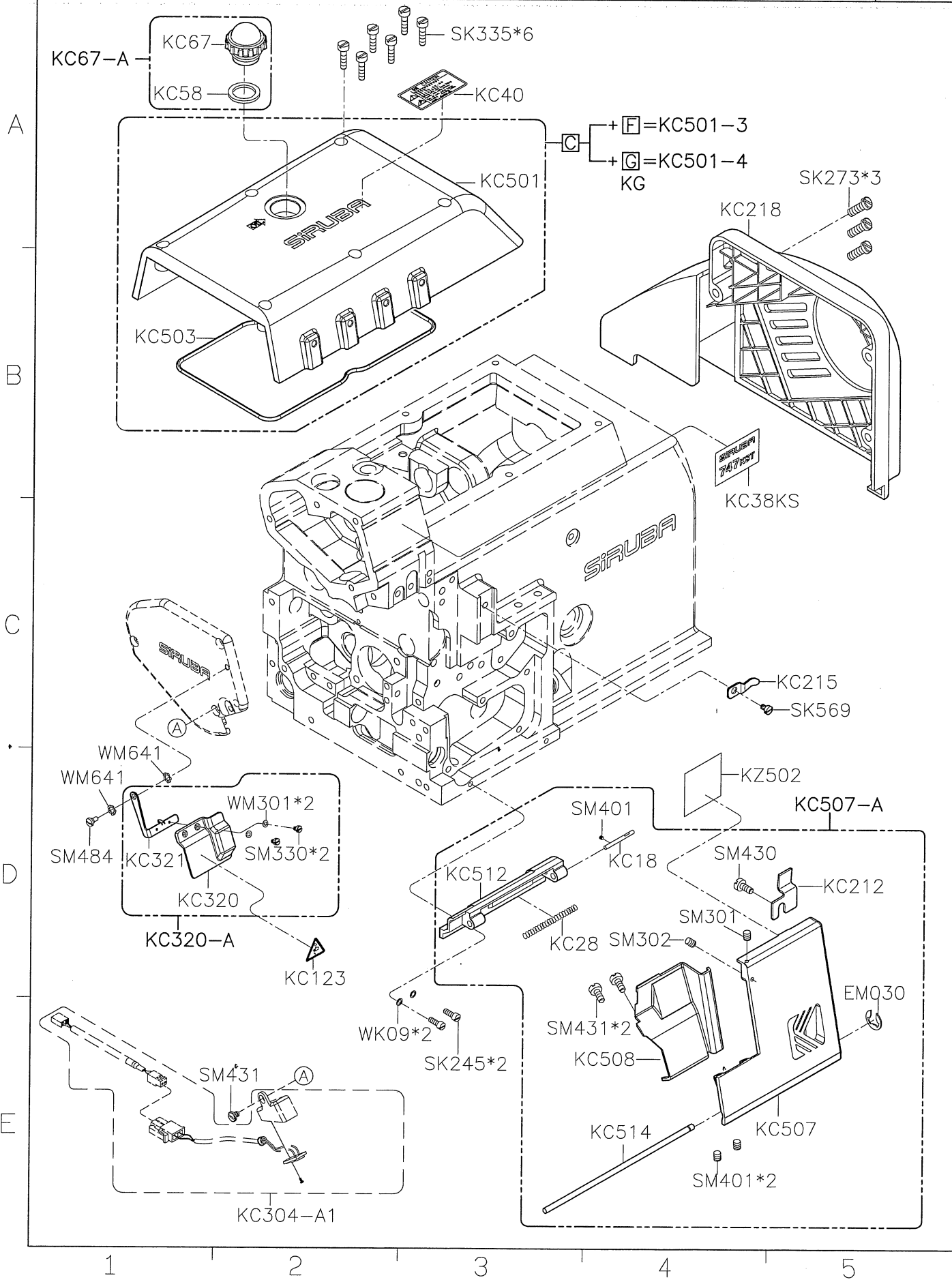


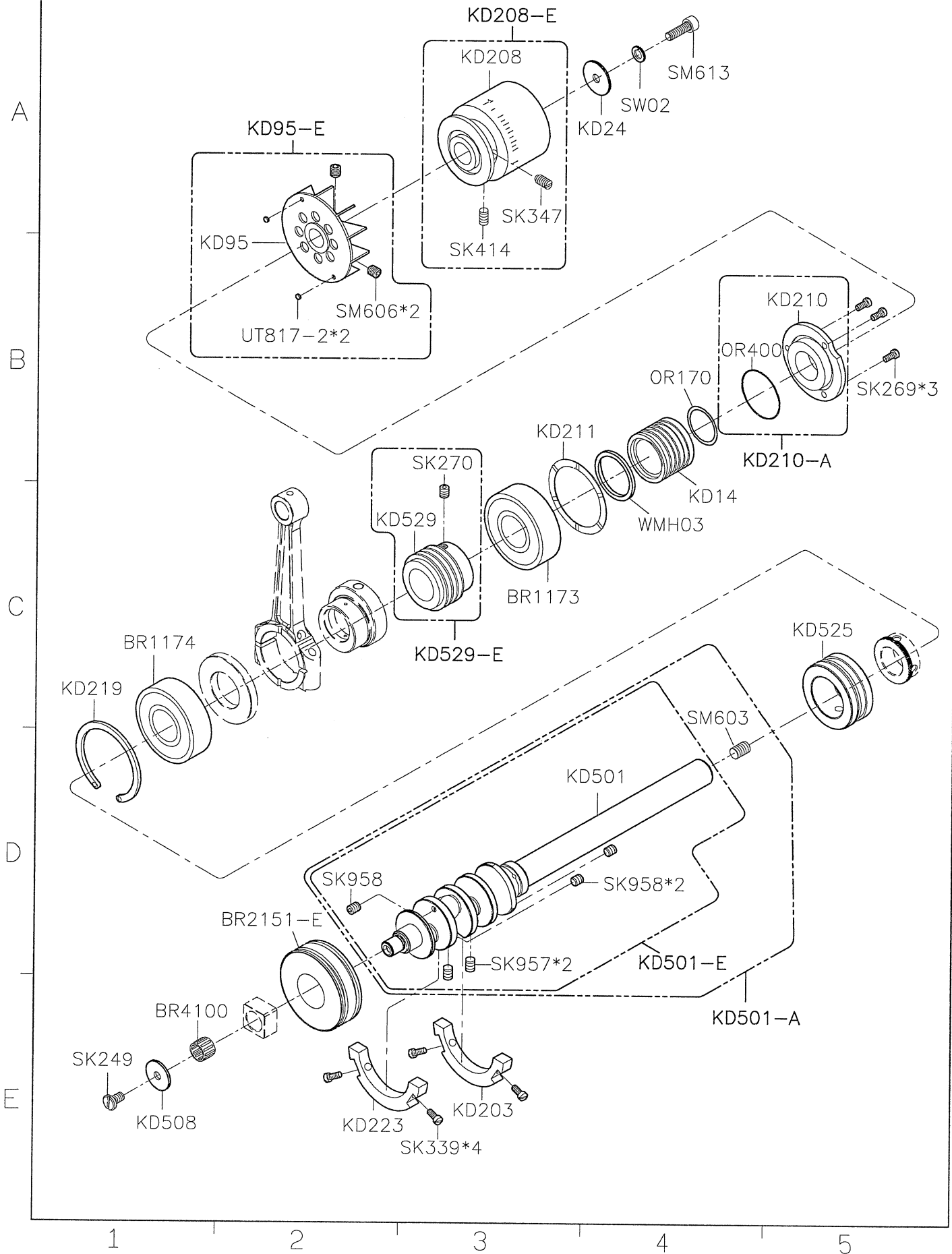


|                             |        |             |                   |            |
|-----------------------------|--------|-------------|-------------------|------------|
| <b>SIRUBA</b><br>PARTS LIST | Series | Parts Group | Subclass / Remark | Page       |
|                             | 700KST | <b>KB</b>   |                   | 1/1        |
|                             |        |             |                   | Date       |
|                             |        |             |                   | 2016/07/01 |

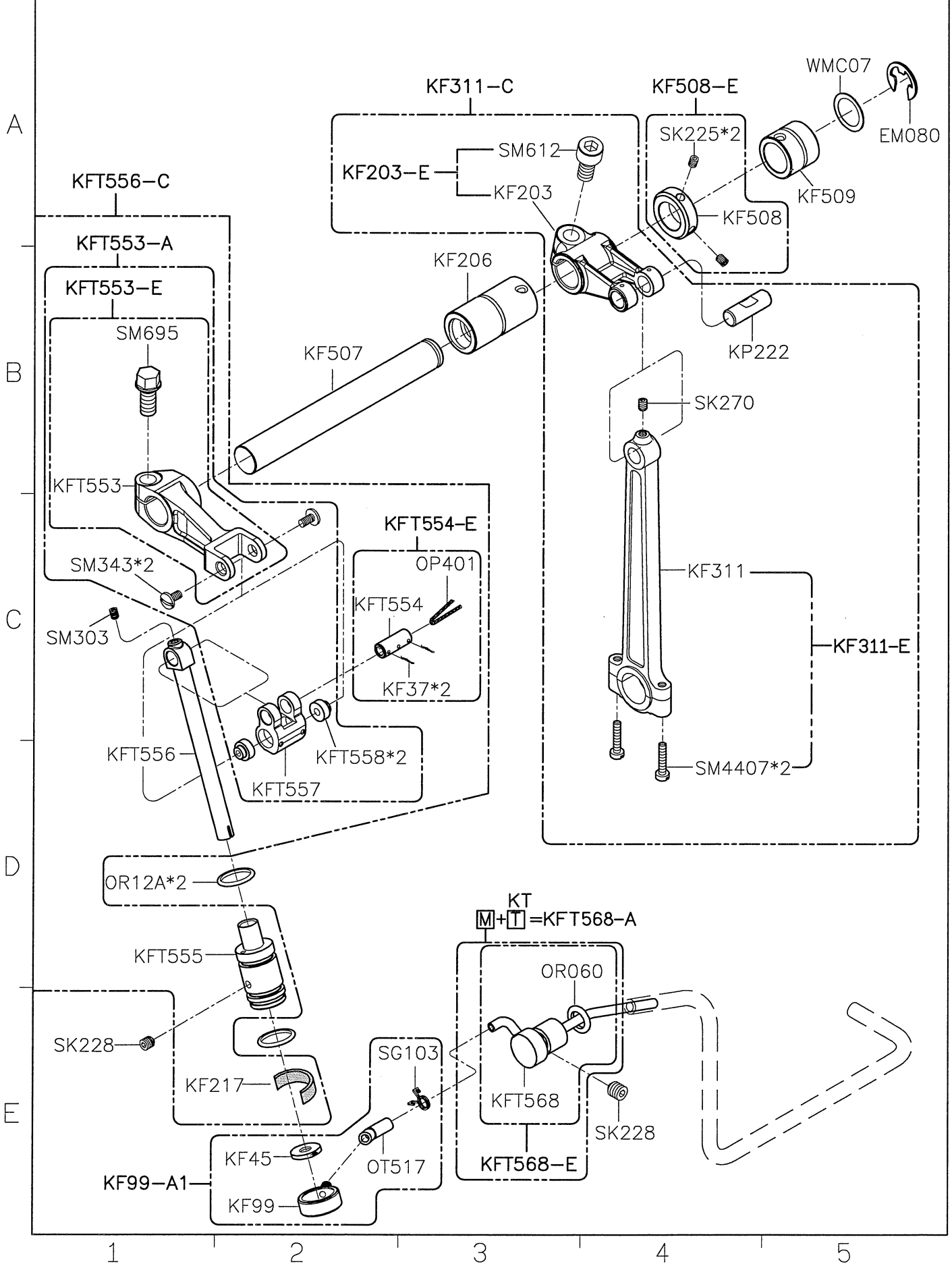


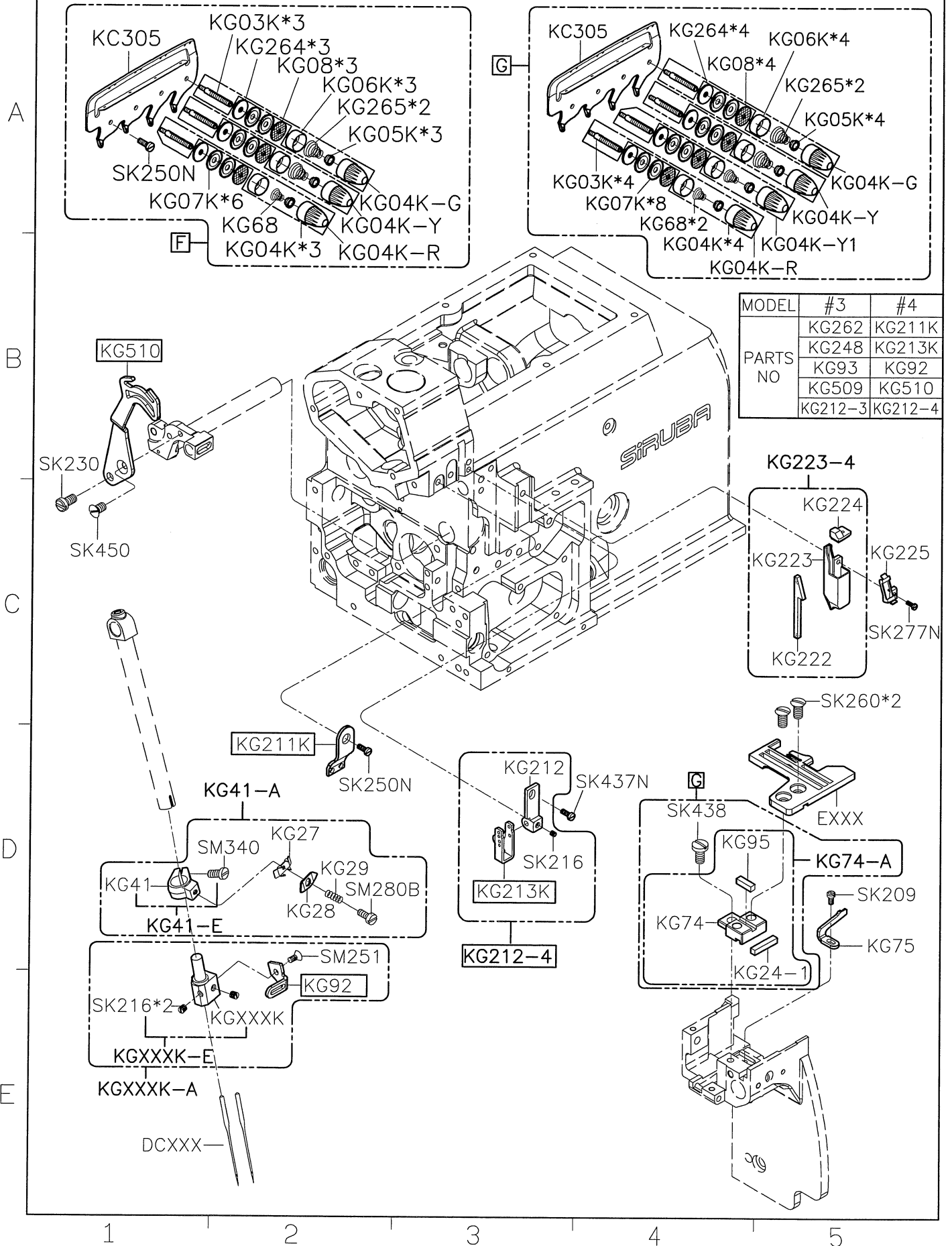
|                             |         |             |                   |            |
|-----------------------------|---------|-------------|-------------------|------------|
| <b>SIRUBA</b><br>PARTS LIST | Series  | Parts Group | Subclass / Remark | Page       |
|                             | 700KS/T | <b>KC</b>   |                   | 1/1        |
|                             |         |             |                   | Date       |
|                             |         |             |                   | 2014/10/01 |





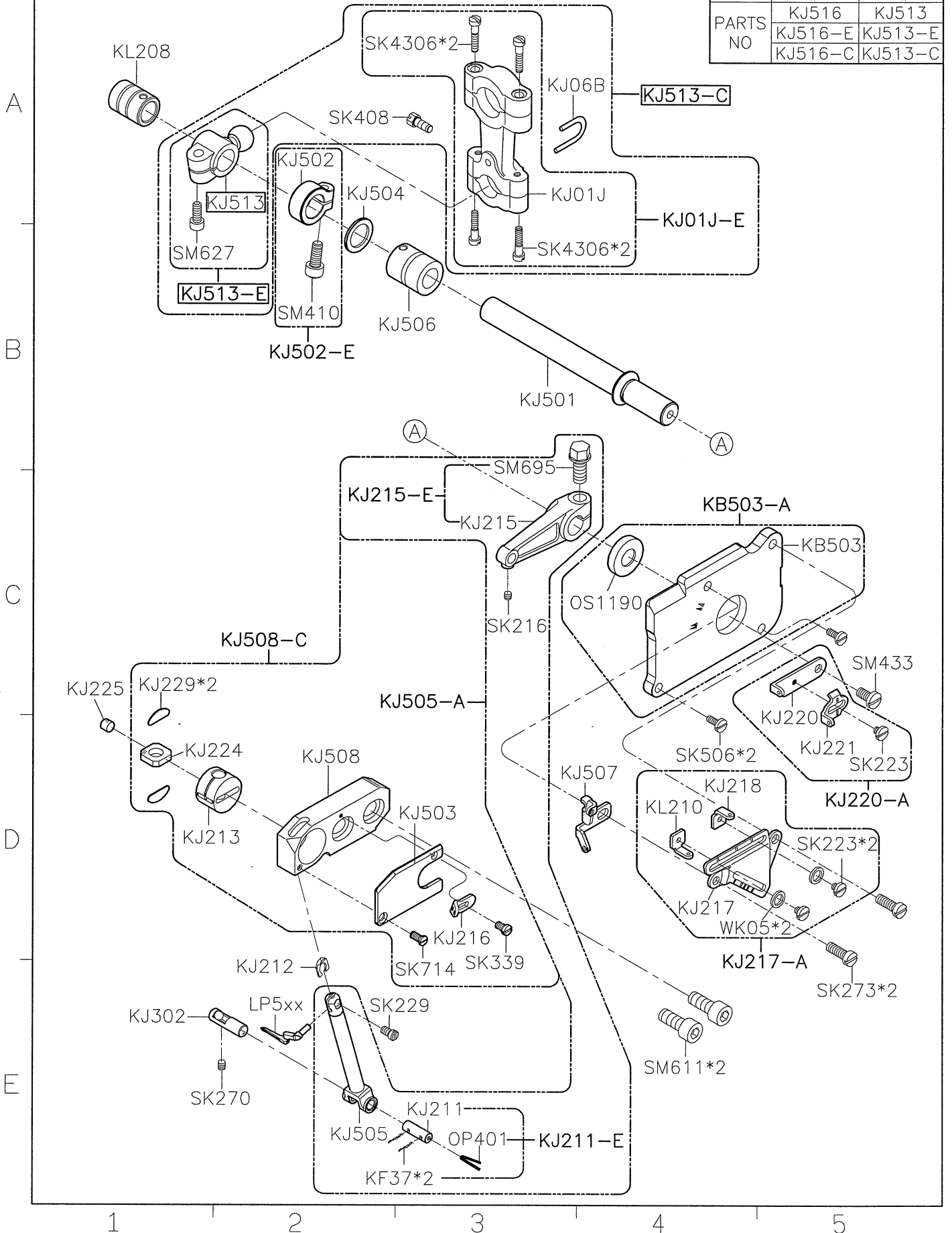
| SIRUBA<br>PARTS LIST | Series | Parts Group | Subclass / Remark | Page       |
|----------------------|--------|-------------|-------------------|------------|
|                      | 700KST | KF          |                   | 1/1        |
|                      |        |             |                   | Date       |
|                      |        |             |                   | 2015/05/18 |







|          |         |         |
|----------|---------|---------|
| MODEL    | #3      | #4      |
| PARTS NO | KJ516   | KJ513   |
|          | KJ516-E | KJ513-E |
|          | KJ516-C | KJ513-C |



**SIRUBA**

PARTS LIST

Series

700KST

Parts Group

**KL**

Subclass / Remark

Page

1/1

Date

2016/10/17

|          |                    |                  |
|----------|--------------------|------------------|
| MODEL    | #3                 | #4               |
| PARTS NO | KL502A<br>KL514-A1 | KL502<br>KL514-A |

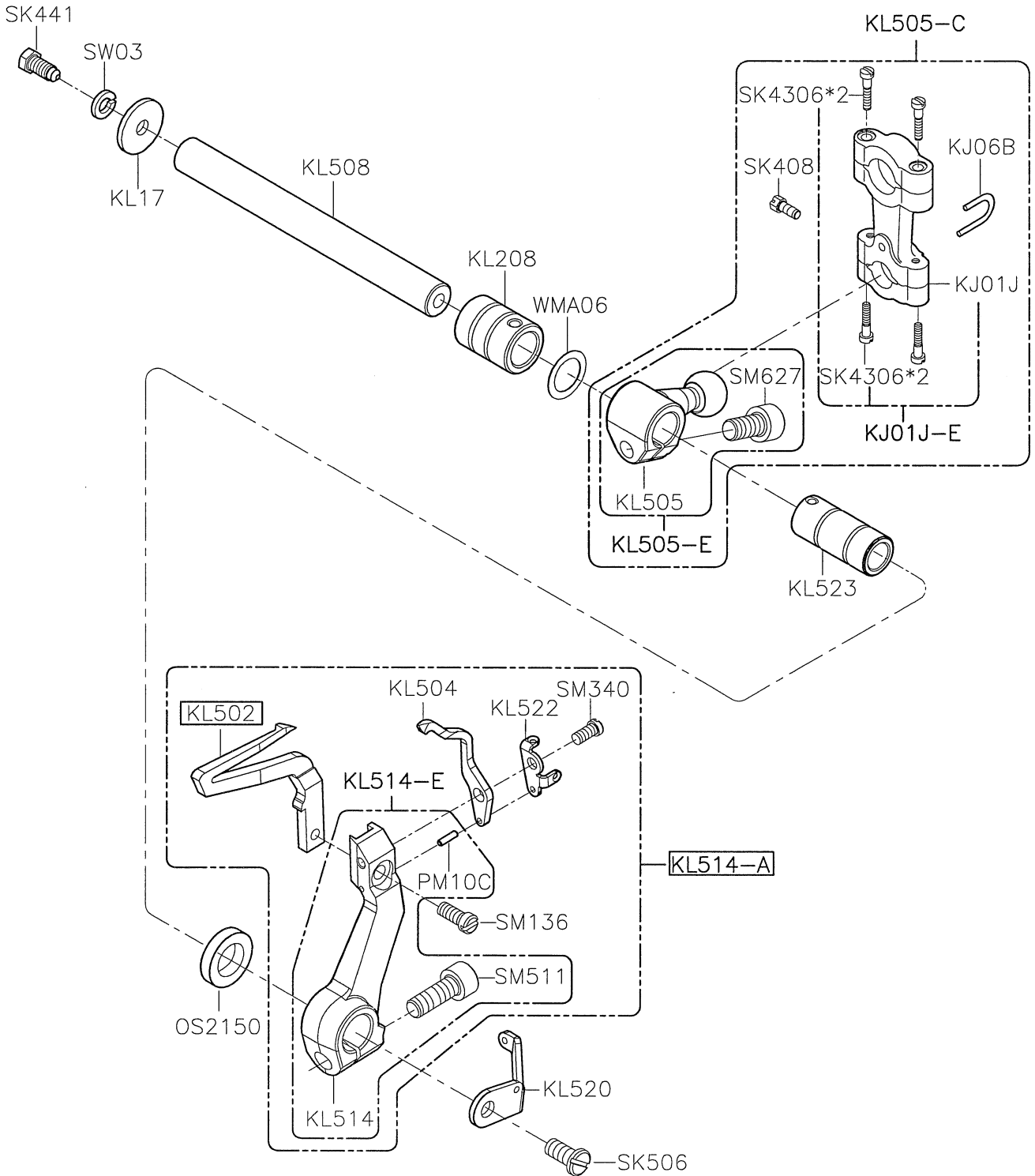
A

B

C

D

E



1

2

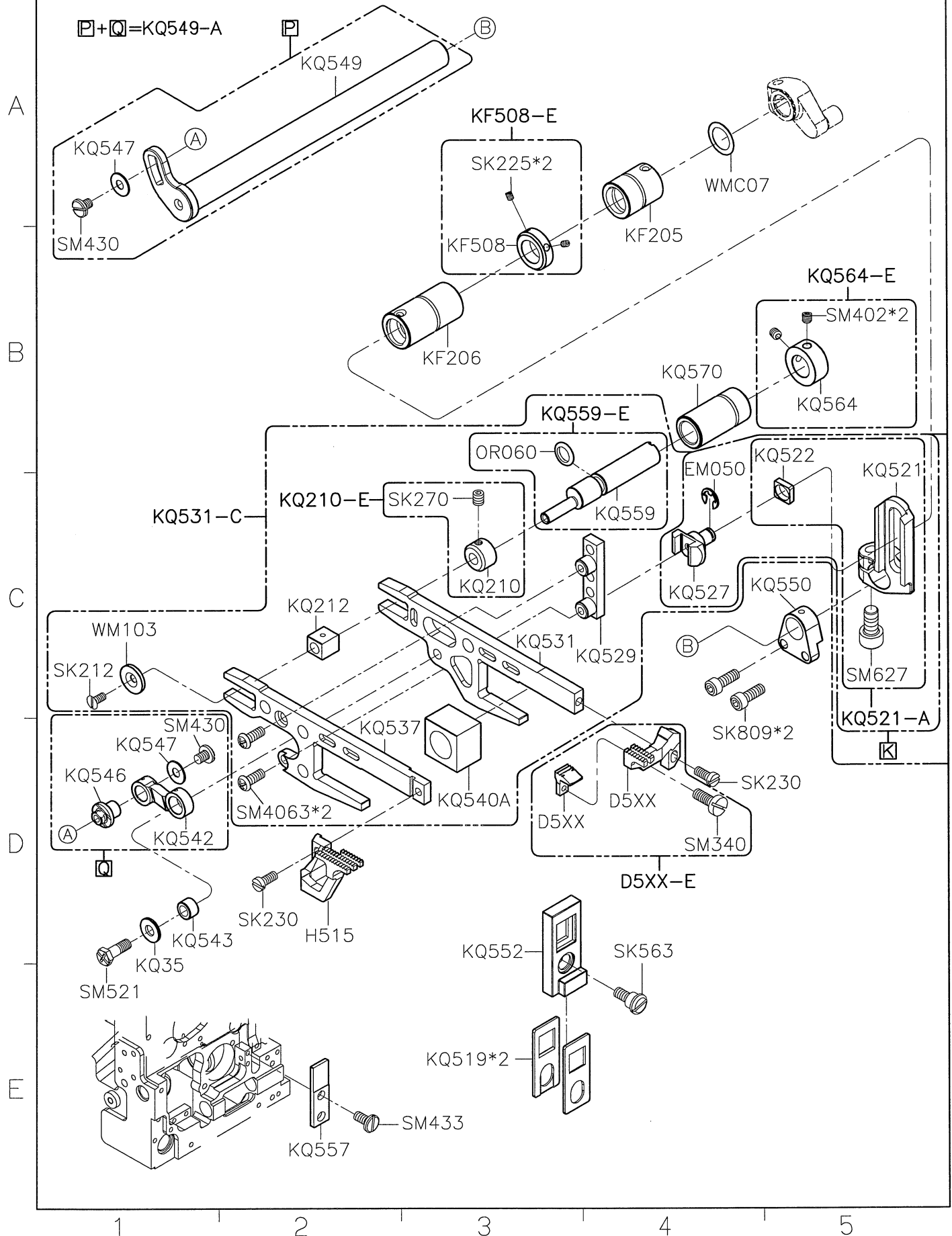
3

4

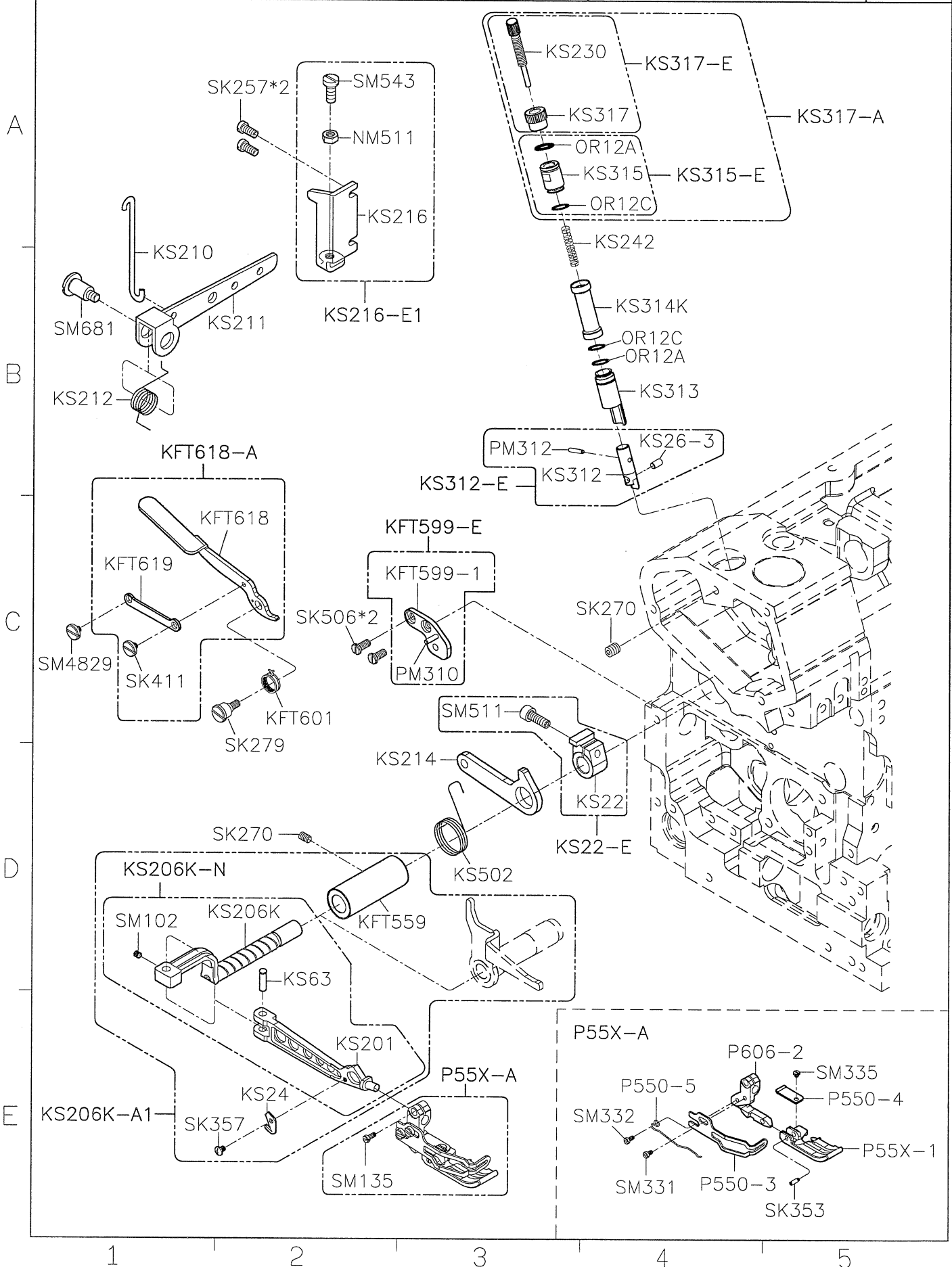
5



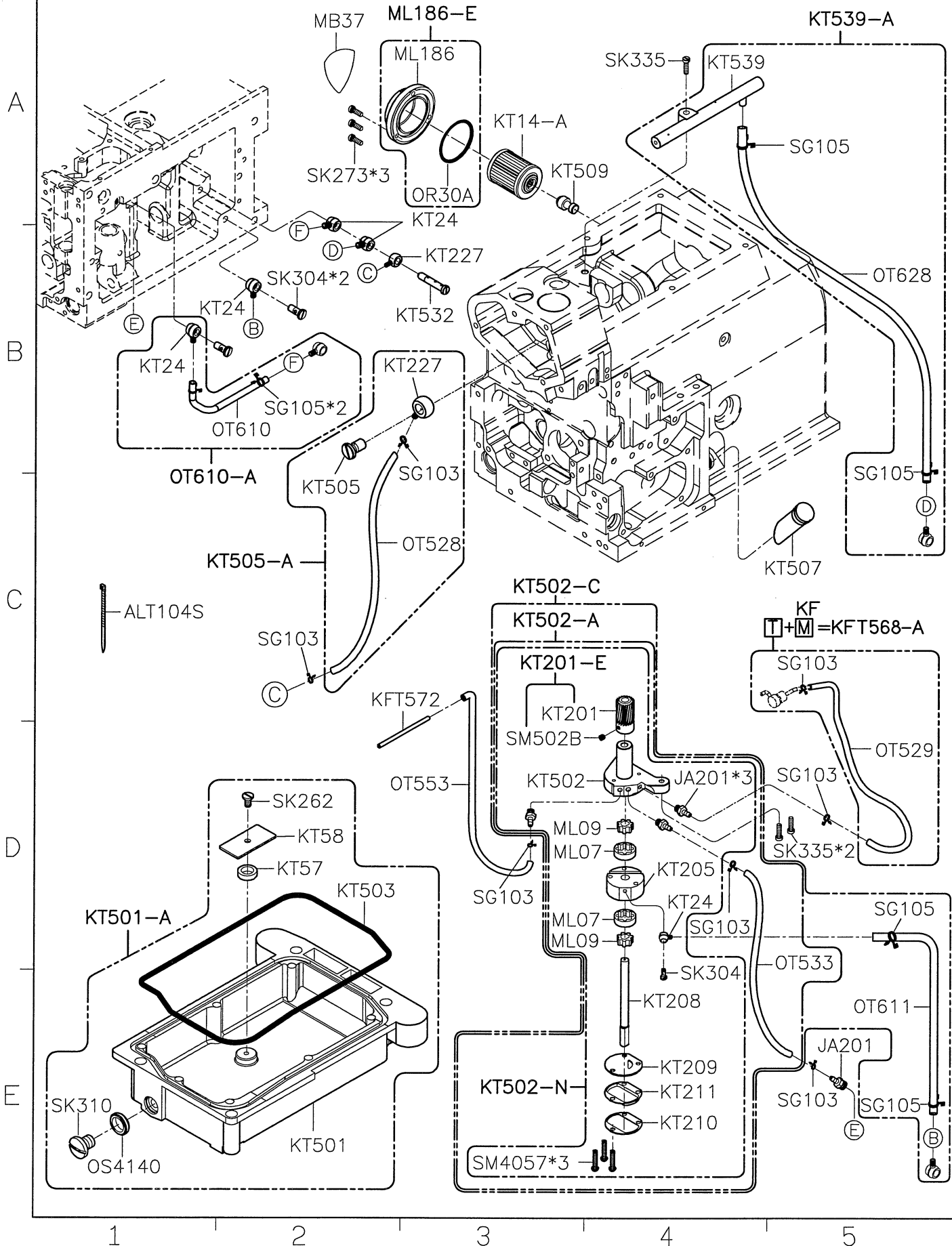
|                             |        |             |                   |            |
|-----------------------------|--------|-------------|-------------------|------------|
| <b>SIRUBA</b><br>PARTS LIST | Series | Parts Group | Subclass / Remark | Page       |
|                             | 700KST | KQ          |                   | 1/1        |
|                             |        |             |                   | Date       |
|                             |        |             |                   | 2016/08/05 |



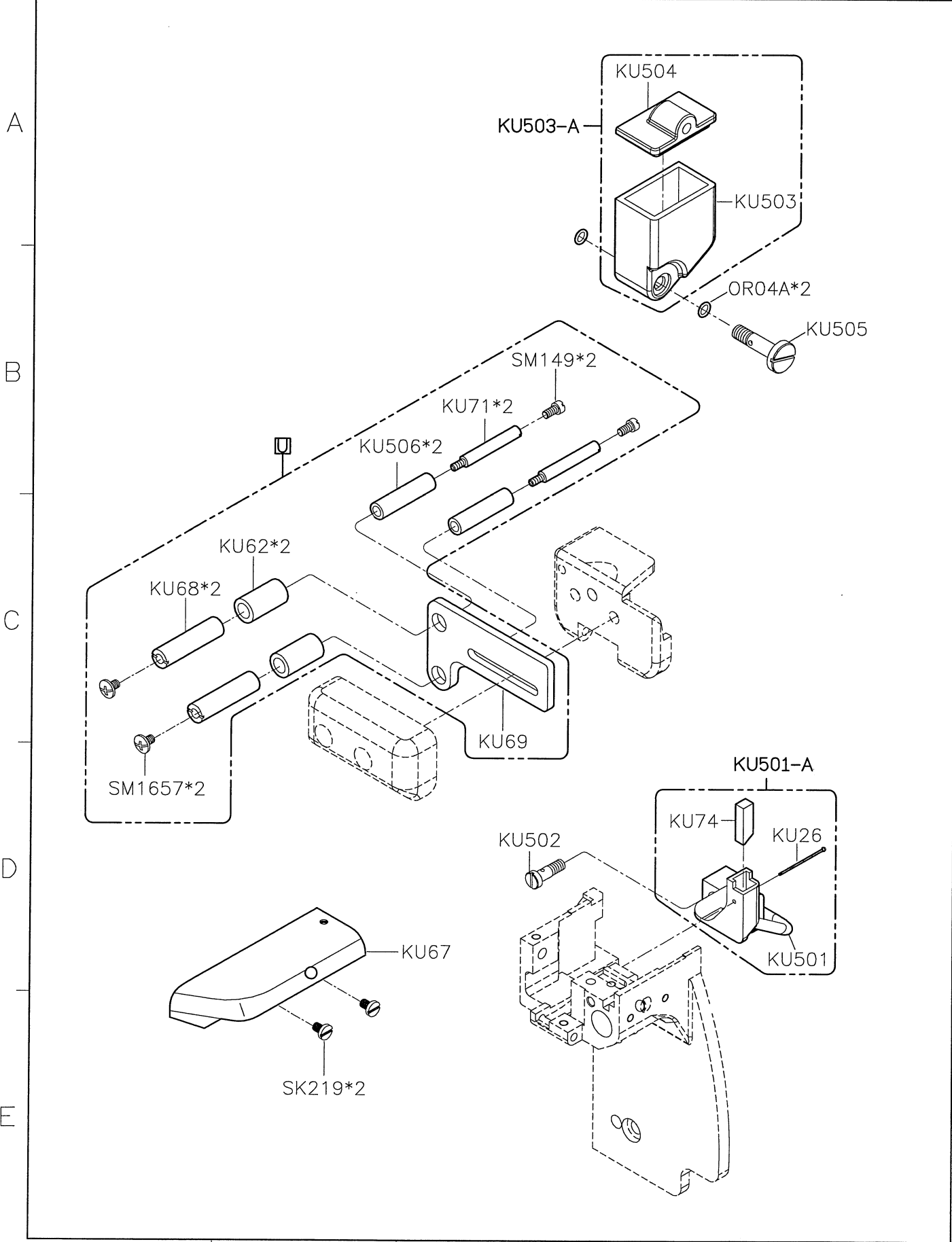




|                                 |        |             |                   |            |
|---------------------------------|--------|-------------|-------------------|------------|
| <b>SIRUBA</b><br><br>PARTS LIST | Series | Parts Group | Subclass / Remark | Page       |
|                                 | 700KST | <b>KT</b>   |                   | 1/1        |
|                                 |        |             |                   | Date       |
|                                 |        |             |                   | 2015/05/18 |



| SIRUBA<br>PARTS LIST | Series  | Parts Group | Subclass / Remark | Page       |
|----------------------|---------|-------------|-------------------|------------|
|                      | 700KS/T | KU          |                   | 1/1        |
|                      |         |             |                   | Date       |
|                      |         |             |                   | 2013/10/09 |



1                      2                      3                      4                      5



| SIRUBA<br>PARTS LIST | Series    | Parts Group | Subclass / Remark | Page       |
|----------------------|-----------|-------------|-------------------|------------|
|                      | 拷克        | KW          |                   | 1/4        |
|                      | Overlock  |             |                   | Date       |
|                      | 含MO6800系列 |             |                   | 2017/01/23 |

KW40E-3

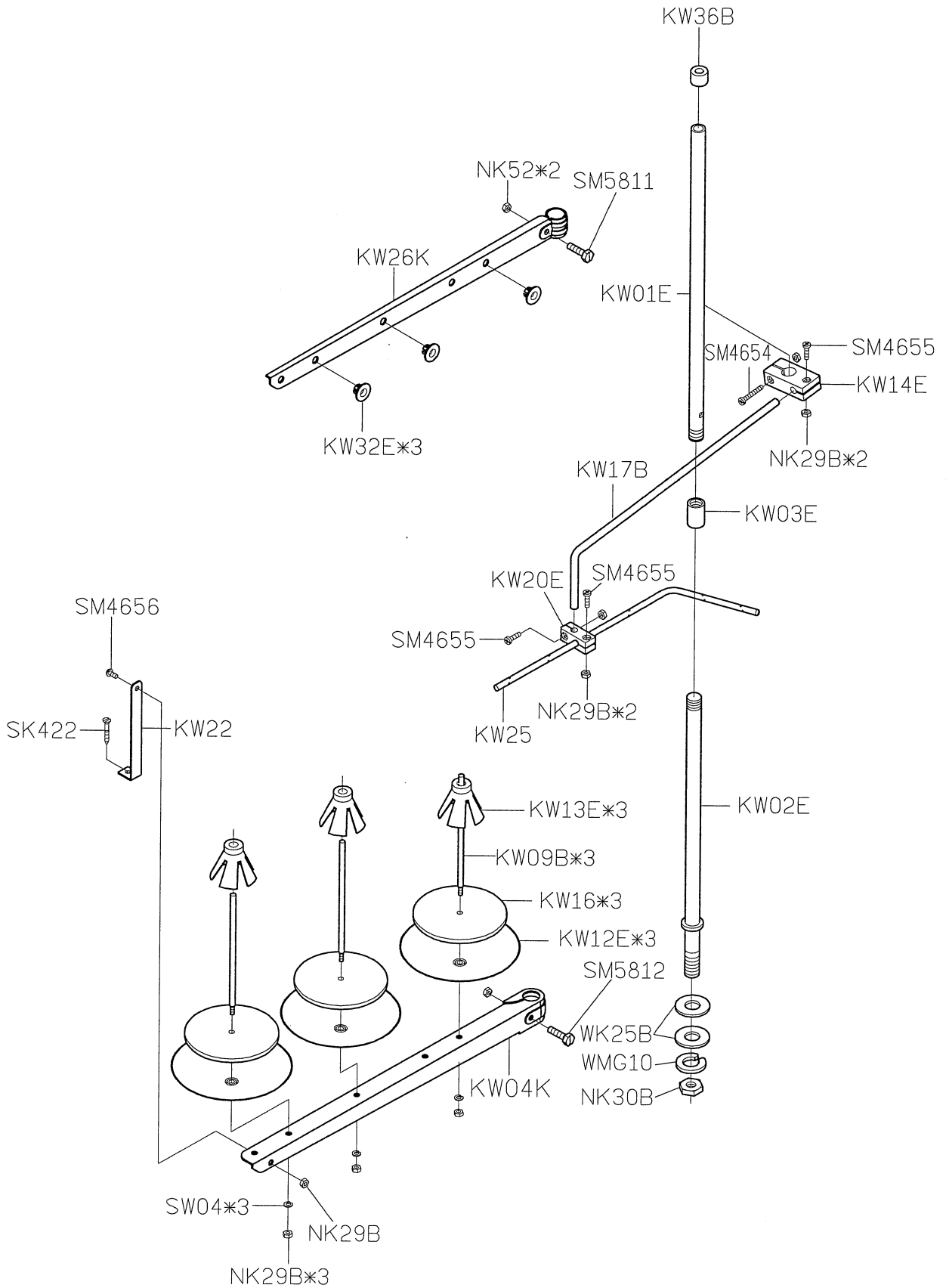
A

B

C

D

E



1

2

3

4

5

|                             |           |             |                   |            |
|-----------------------------|-----------|-------------|-------------------|------------|
| <b>SIRUBA</b><br>PARTS LIST | Series    | Parts Group | Subclass / Remark | Page       |
|                             | 拷克        | <b>KW</b>   |                   | 2/4        |
|                             | Overlock  |             |                   | Date       |
|                             | 含MO6800系列 |             |                   | 2017/01/23 |

KW40E-4

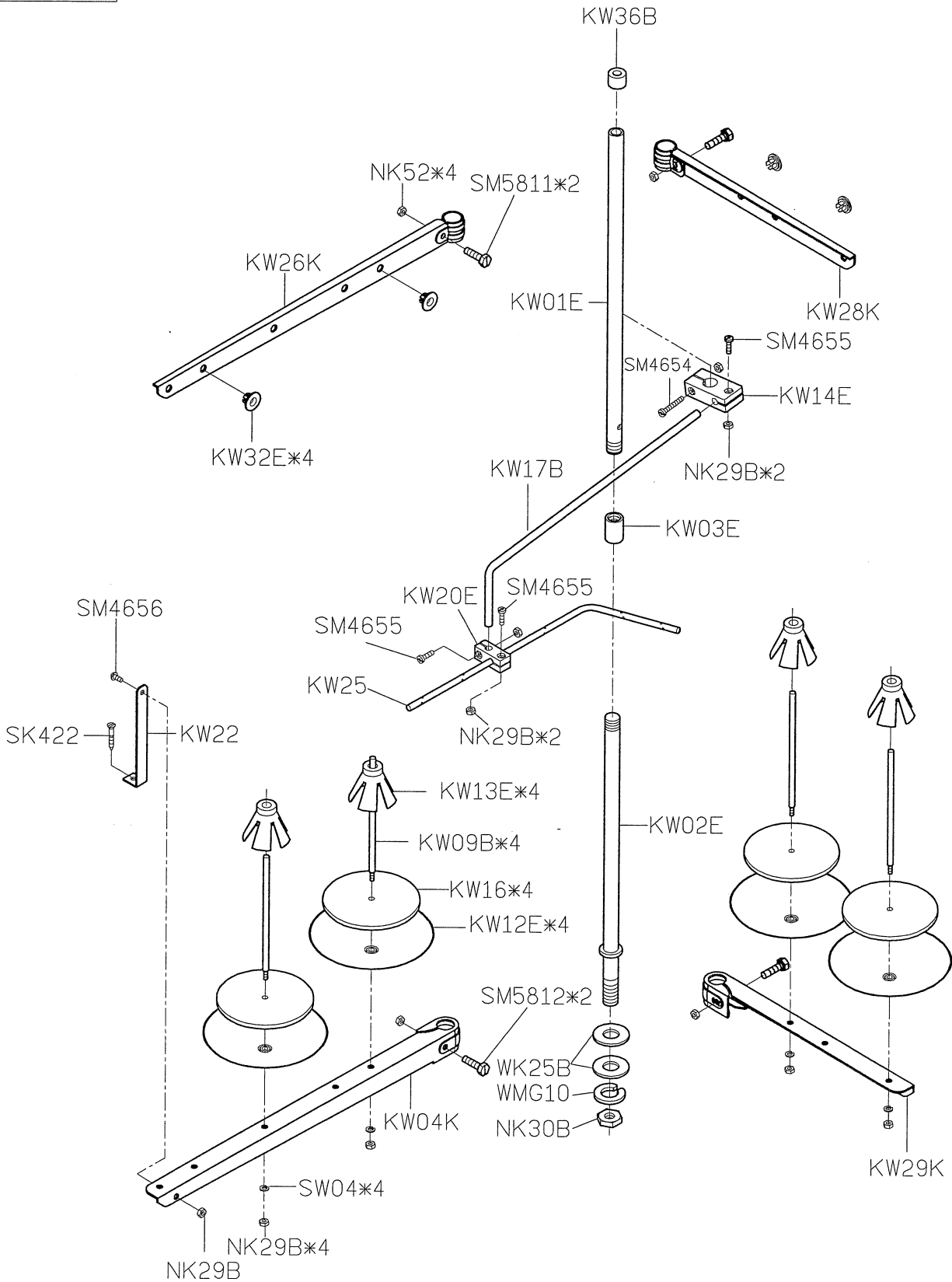
A

B

C

D

E



1

2

3

4

5

|                             |           |             |                   |            |
|-----------------------------|-----------|-------------|-------------------|------------|
| <b>SIRUBA</b><br>PARTS LIST | Series    | Parts Group | Subclass / Remark | Page       |
|                             | 拷克        | <b>KW</b>   |                   | 3/4        |
|                             | Overlock  |             |                   | Date       |
|                             | 含MO6800系列 |             |                   | 2017/01/23 |

KW40E-5

A

B

C

D

E

KW36B

NK52\*4

SM5811\*2

KW26K

KW01E

KW28K

KW32E\*5

SM4654

SM4655

KW14E

KW17B

NK29B\*2

KW03E

SM4656

KW20E

SM4655

SM4655

KW23

NK29B\*2

SK422

KW22

KW13E\*5

KW02E

D

KW09B\*5

KW16\*5

KW12E\*5

SM5812\*2

WK25B

WMG10

NK30B

KW04K

KW29K

SW04\*5

NK29B

NK29B\*5

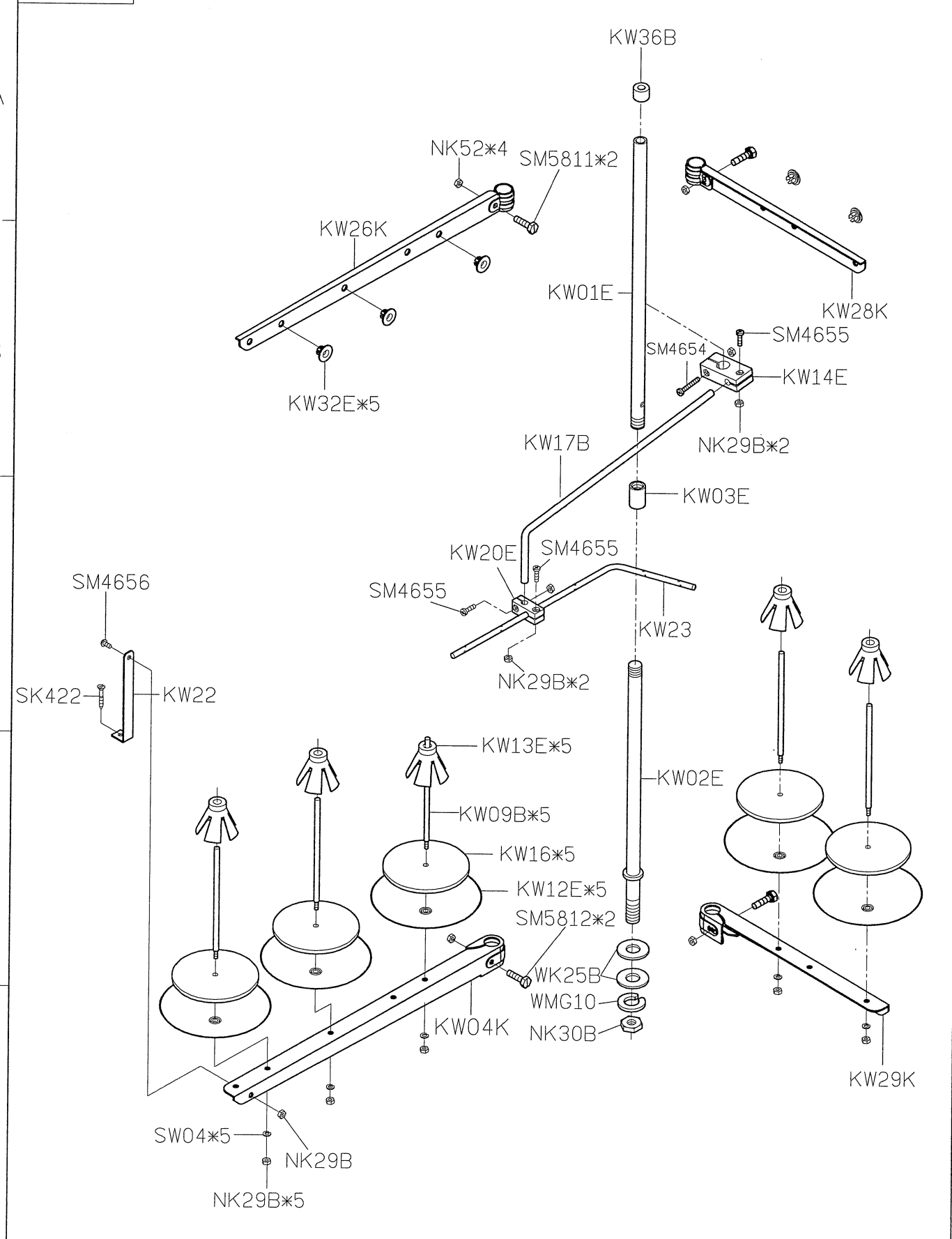
1

2

3

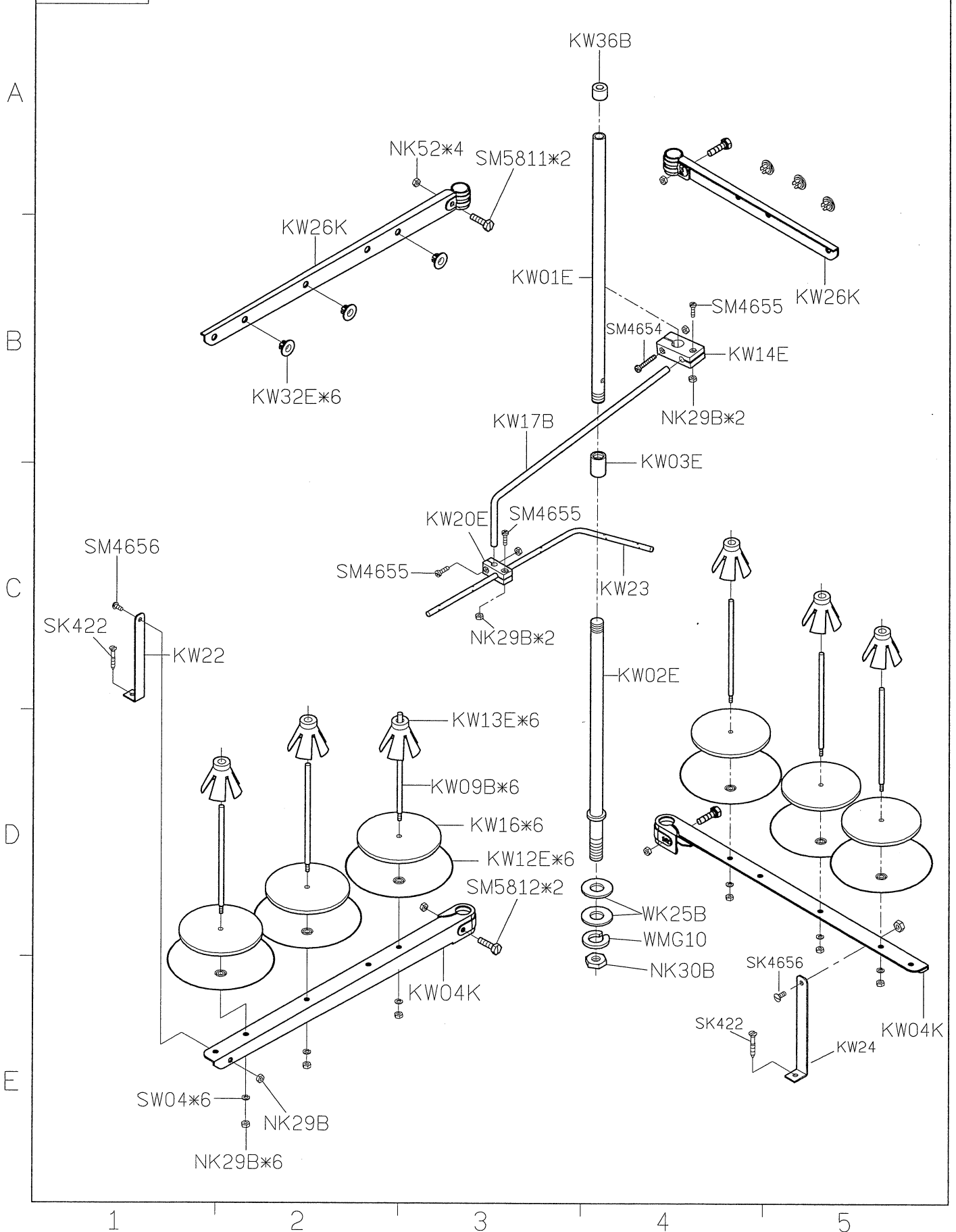
4

5

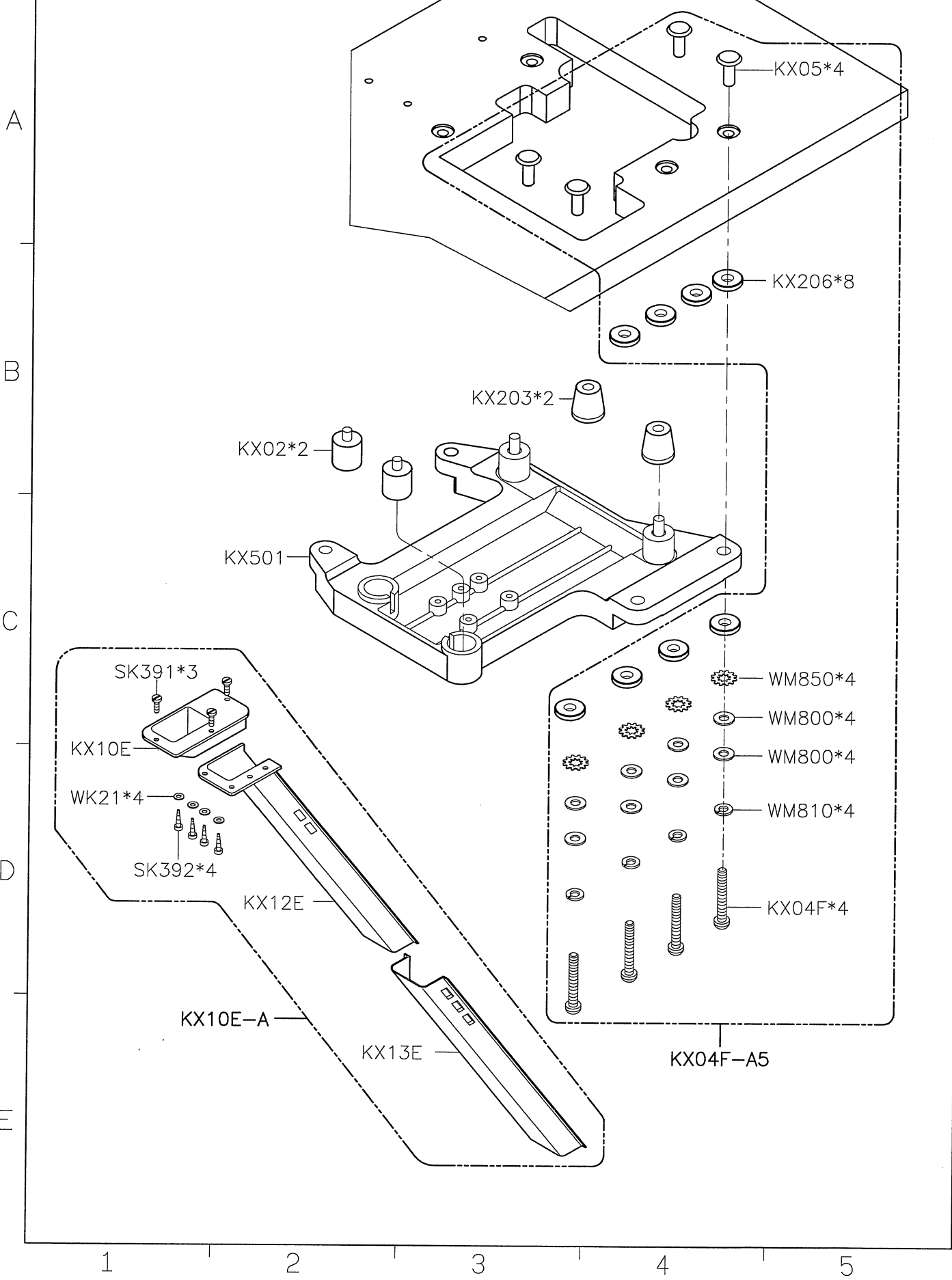


| SIRUBA<br>PARTS LIST | Series    | Parts Group | Subclass / Remark | Page       |
|----------------------|-----------|-------------|-------------------|------------|
|                      | 拷克        | KW          |                   | 4/4        |
|                      | Overlock  |             |                   | Date       |
|                      | 含MO6800系列 |             |                   | 2017/01/23 |

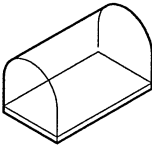



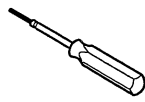
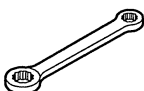
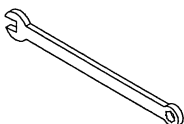
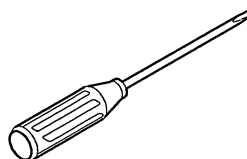


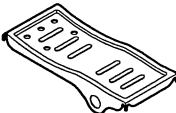


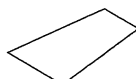
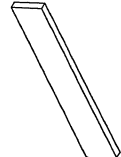

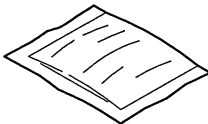

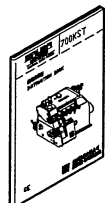


KW40E-6



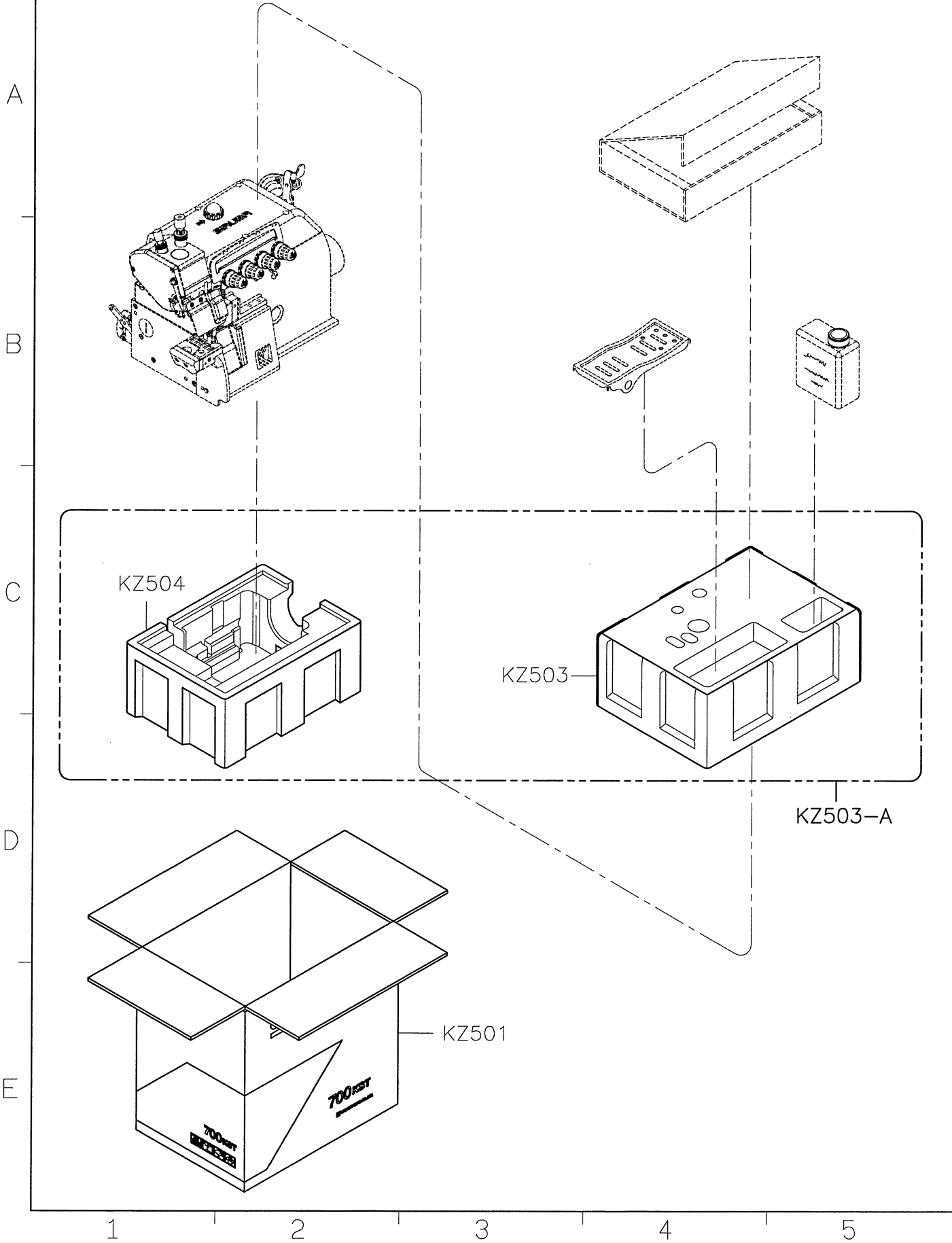
|                             |         |             |                   |            |
|-----------------------------|---------|-------------|-------------------|------------|
| <b>SIRUBA</b><br>PARTS LIST | Series  | Parts Group | Subclass / Remark | Page       |
|                             | 700KS/T | <b>KX</b>   |                   | 1/1        |
|                             |         |             |                   | Date       |
|                             |         |             |                   | 2014/03/05 |



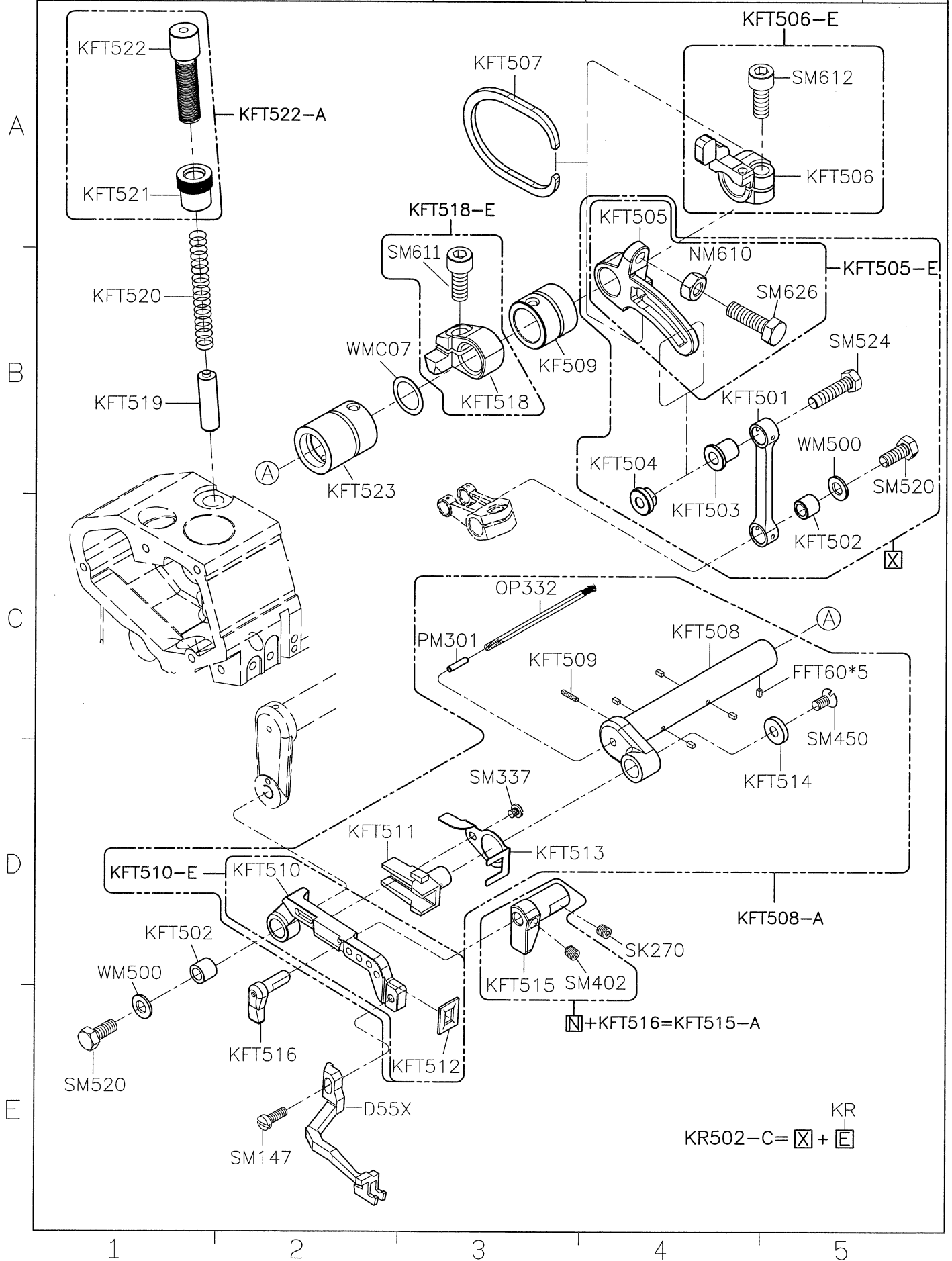
|                                 |         |             |                   |            |
|---------------------------------|---------|-------------|-------------------|------------|
| <b>SIRUBA</b><br><br>PARTS LIST | Series  | Parts Group | Subclass / Remark | Page       |
|                                 | 700KS/T | KY          |                   | 1/1        |
|                                 |         |             |                   | Date       |
|                                 |         |             |                   | 2013/10/09 |

|   |   |   |   |   |  |
|---|---|---|---|---|--|
| A | KY01-1<br>防塵罩<br>    | KY02F-A<br>油罐<br>            | KY03<br>油壺<br>     | KY04<br>漏斗<br>       | KY14<br>內六角螺絲起子<br> |
| B | KY23<br>內六角板手<br>    | KY09<br>開口板手<br>             | LY33<br>一字起子<br>   | KY18<br>鑷子<br>        | SK216<br>螺絲<br>     |
| C | KY20D-A<br>腳踏板<br> | KY21-A/MY21-A<br>鉤子/鍊條<br> | KY201<br>工具袋<br> | KY30<br>針板紙<br>    | KR55<br>下刀片<br>   |
| D | KT14-A<br>濾油器<br>  | KZ03<br>乾燥劑<br>            | 針*5<br>車針<br>    | KZ508<br>使用說明書<br> | LY35<br>一字起子<br>  |
| E | KY05-A<br>油壺<br>   |   |   |   |  |
|   | 1   | 2   | 3   | 4   | 5  |

| <b>SIRUBA</b><br>PARTS LIST | Series | Parts Group | Subclass / Remark | Page       |
|-----------------------------|--------|-------------|-------------------|------------|
|                             | 700KST | <b>KZ</b>   |                   | 1/1        |
|                             |        |             |                   | Date       |
|                             |        |             |                   | 2013/10/09 |

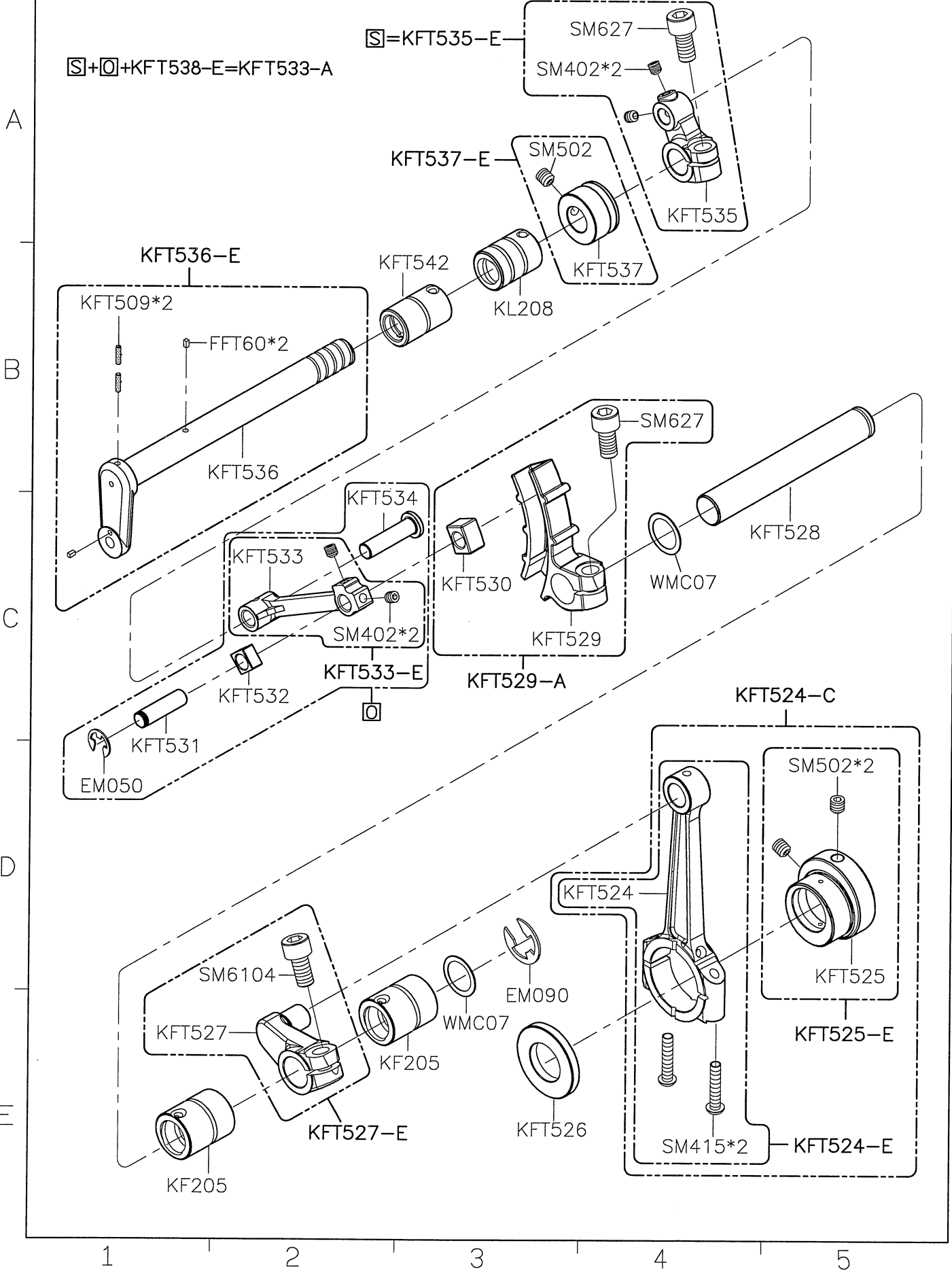


|                             |        |             |                   |            |
|-----------------------------|--------|-------------|-------------------|------------|
| <b>SIRUBA</b><br>PARTS LIST | Series | Parts Group | Subclass / Remark | Page       |
|                             | 700KST | <b>FT</b>   |                   | 1/4        |
|                             |        |             |                   | Date       |
|                             |        |             |                   | 2015/07/21 |

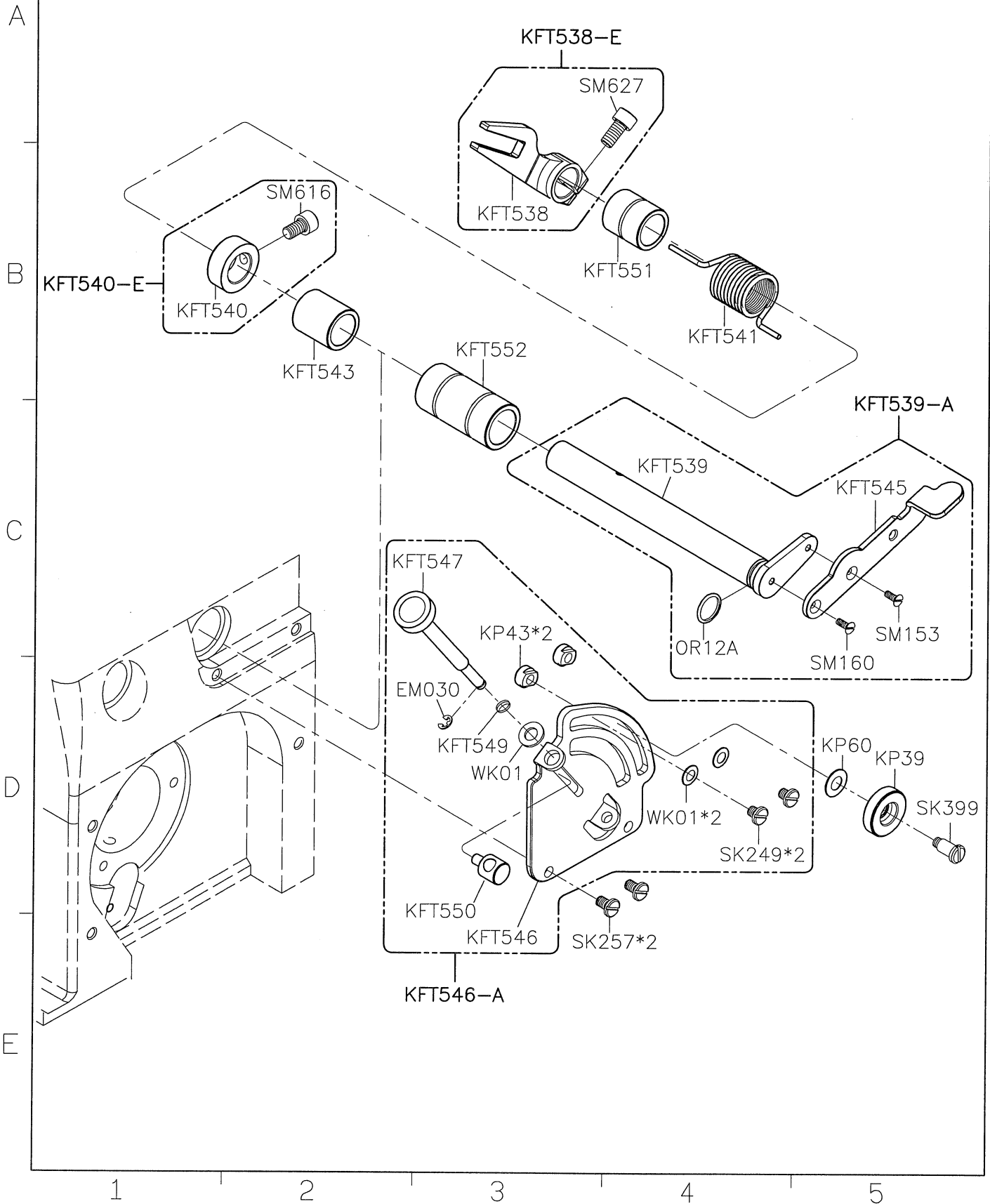




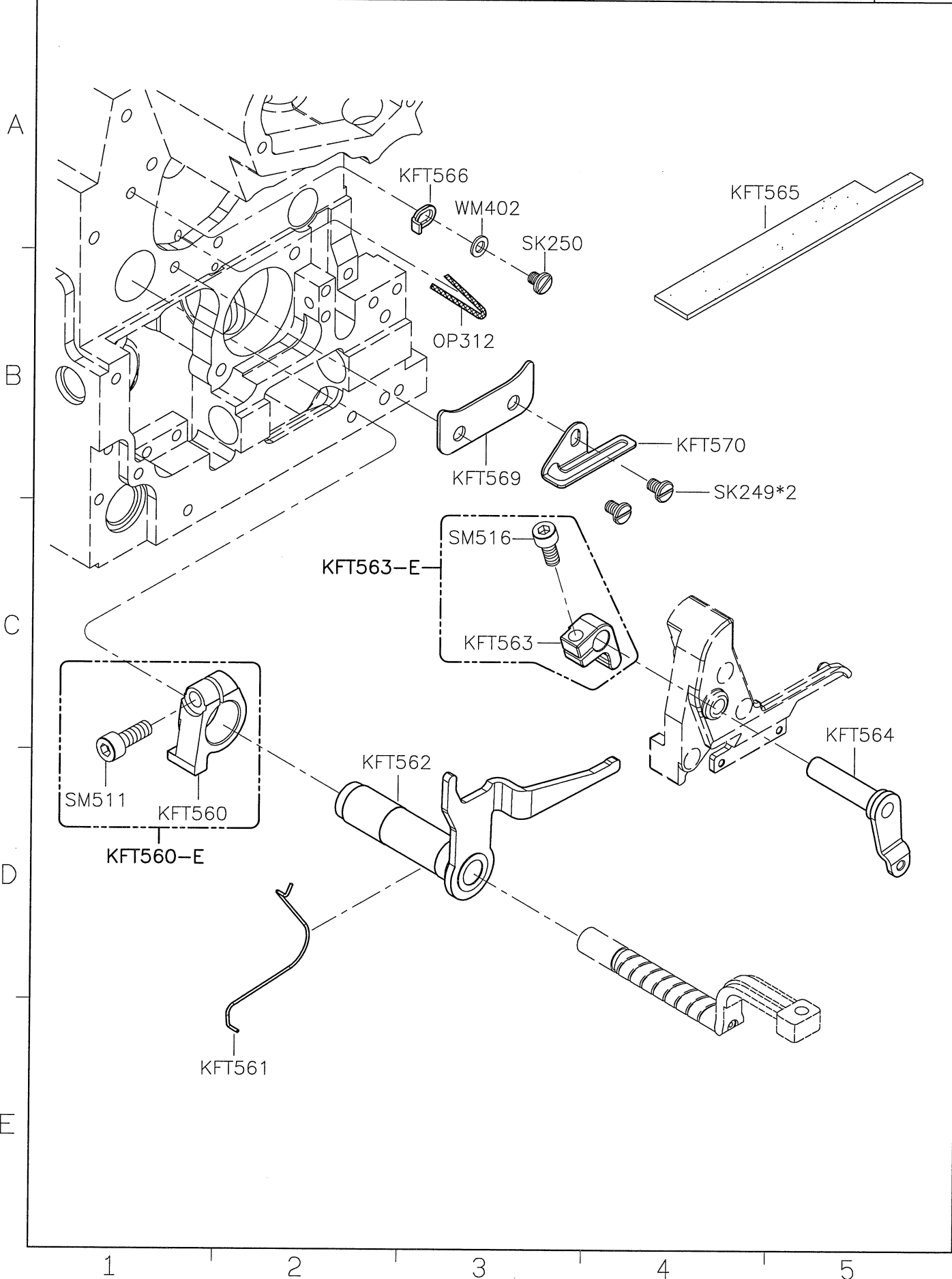
|                             |        |             |                   |            |
|-----------------------------|--------|-------------|-------------------|------------|
| <b>SIRUBA</b><br>PARTS LIST | Series | Parts Group | Subclass / Remark | Page       |
|                             | 700KST | <b>FT</b>   |                   | 2/4        |
|                             |        |             |                   | Date       |
|                             |        |             |                   | 2014/10/22 |



|                             |        |             |                   |            |
|-----------------------------|--------|-------------|-------------------|------------|
| <b>SIRUBA</b><br>PARTS LIST | Series | Parts Group | Subclass / Remark | Page       |
|                             | 700KST | FT          |                   | 3/4        |
|                             |        |             |                   | Date       |
|                             |        |             |                   | 2015/06/23 |



|                             |         |             |                   |            |
|-----------------------------|---------|-------------|-------------------|------------|
| <b>SIRUBA</b><br>PARTS LIST | Series  | Parts Group | Subclass / Remark | Page       |
|                             | 700KS/T | <b>FT</b>   |                   | 4/4        |
|                             |         |             |                   | Date       |
|                             |         |             |                   | 2014/05/30 |



**SIRUBA**

TABLE  
CUT - OUT

Series

700KS/T

Item Code

700KS-T

Subclass Remark

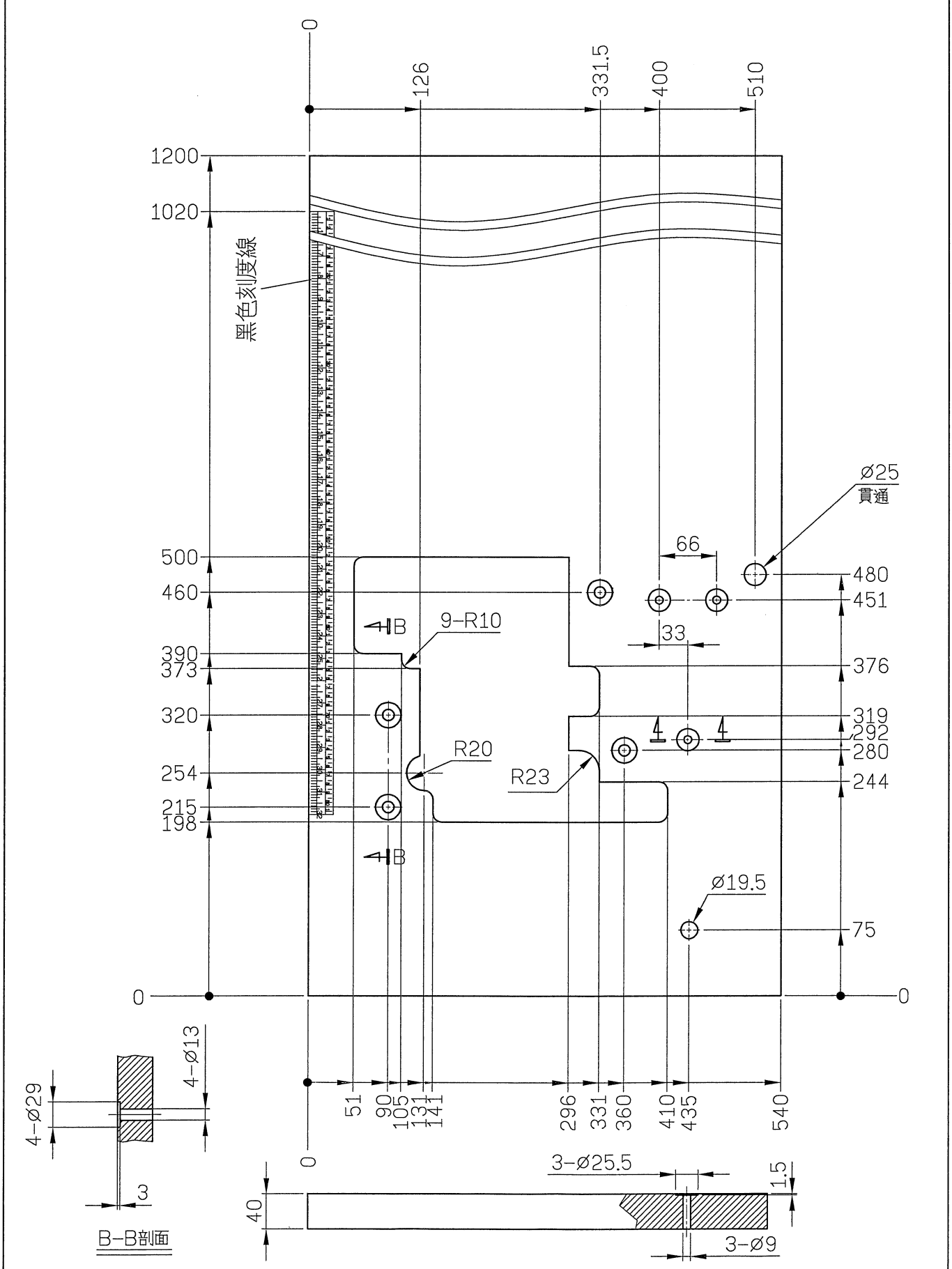
UNIT: mm  
TOLERANCE:  $\pm 2$   
WEIGHT: 11.6 kg  $\pm 5\%$

Mounting

Semi-submerged

Date

2014/06/18



**SIRUBA**TABLE  
CUT - OUT

Series

700KS/T

Item Code

700KS-T1

Subclass Remark

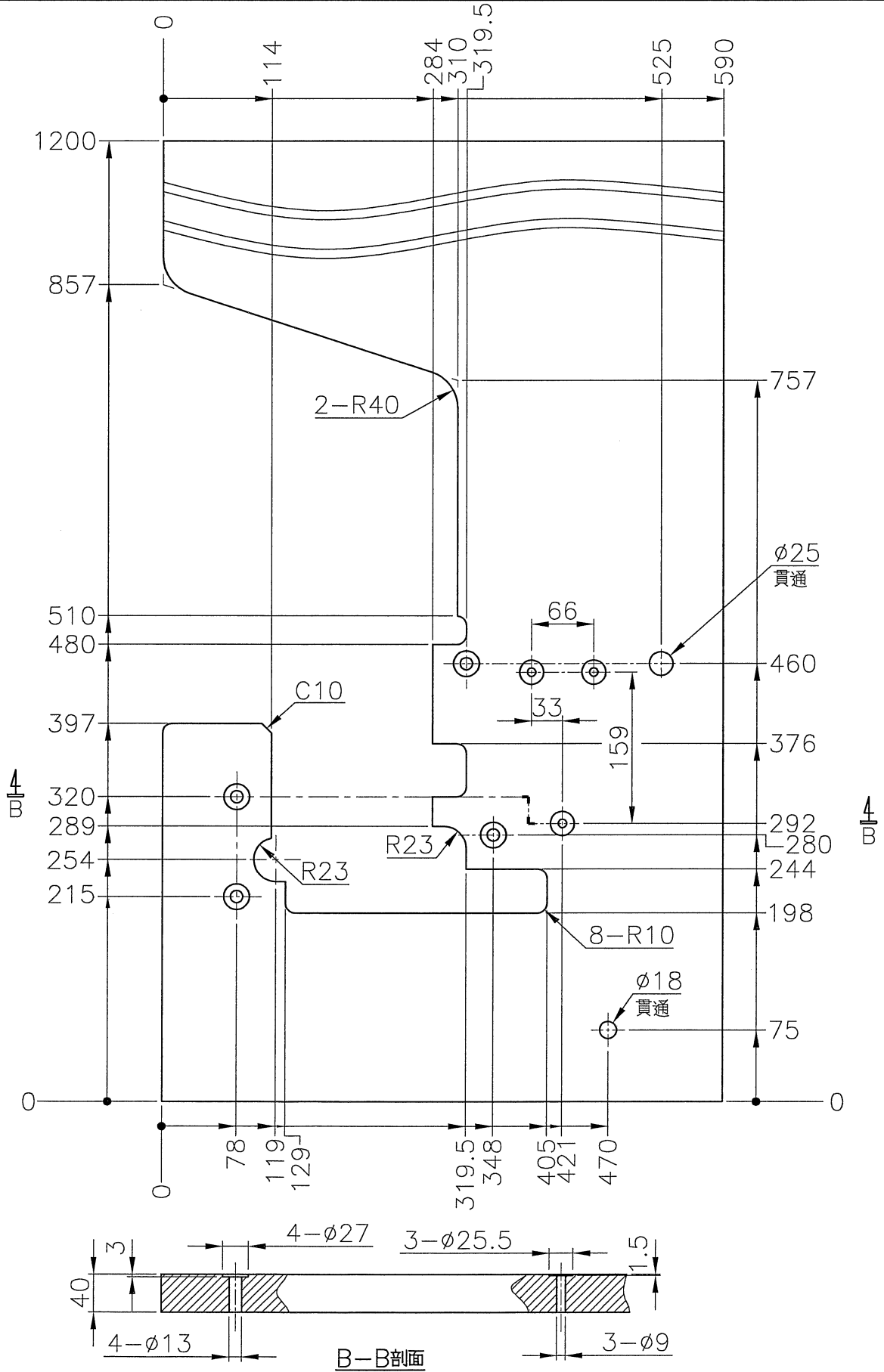
UNIT: mm  
TOLERANCE:  $\pm 2$   
WEIGHT: 11.6 kg  $\pm 5\%$ 

Mounting

Semi-submerged

Date

2013/09/30



**SIRUBA**TABLE  
CUT - OUT

Series

700KS/T

Item Code

700KS-T2

Subclass Remark

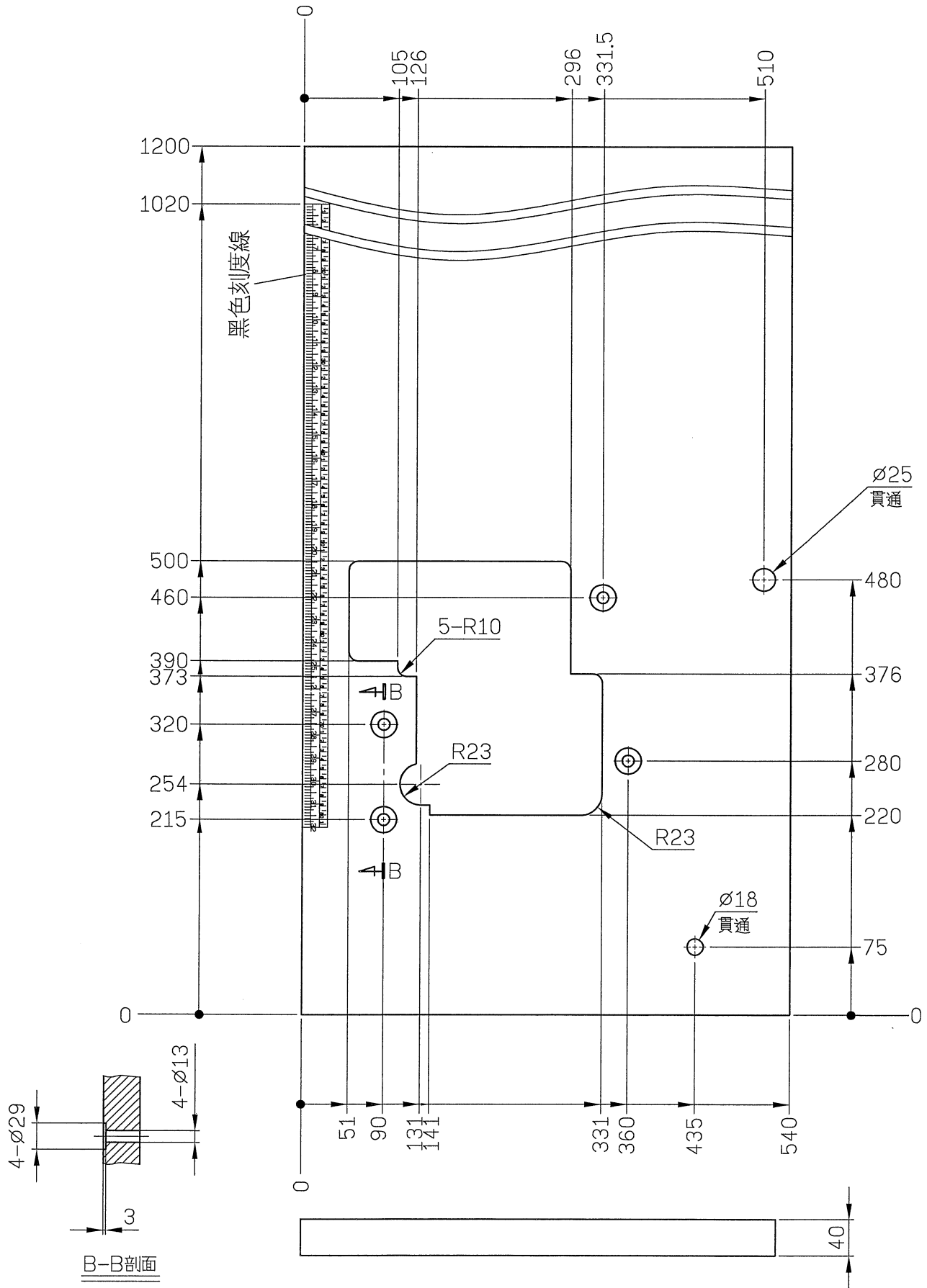
UNIT: mm  
TOLERANCE:  $\pm 2$   
WEIGHT: 11.6 kg  $\pm 5\%$ 

Mounting

Semi-submerged  
installation

Date

2014/06/18



**SIRUBA**TABLE  
CUT - OUT

Series

700KS/T

Item Code

700KS-T3

Subclass Remark

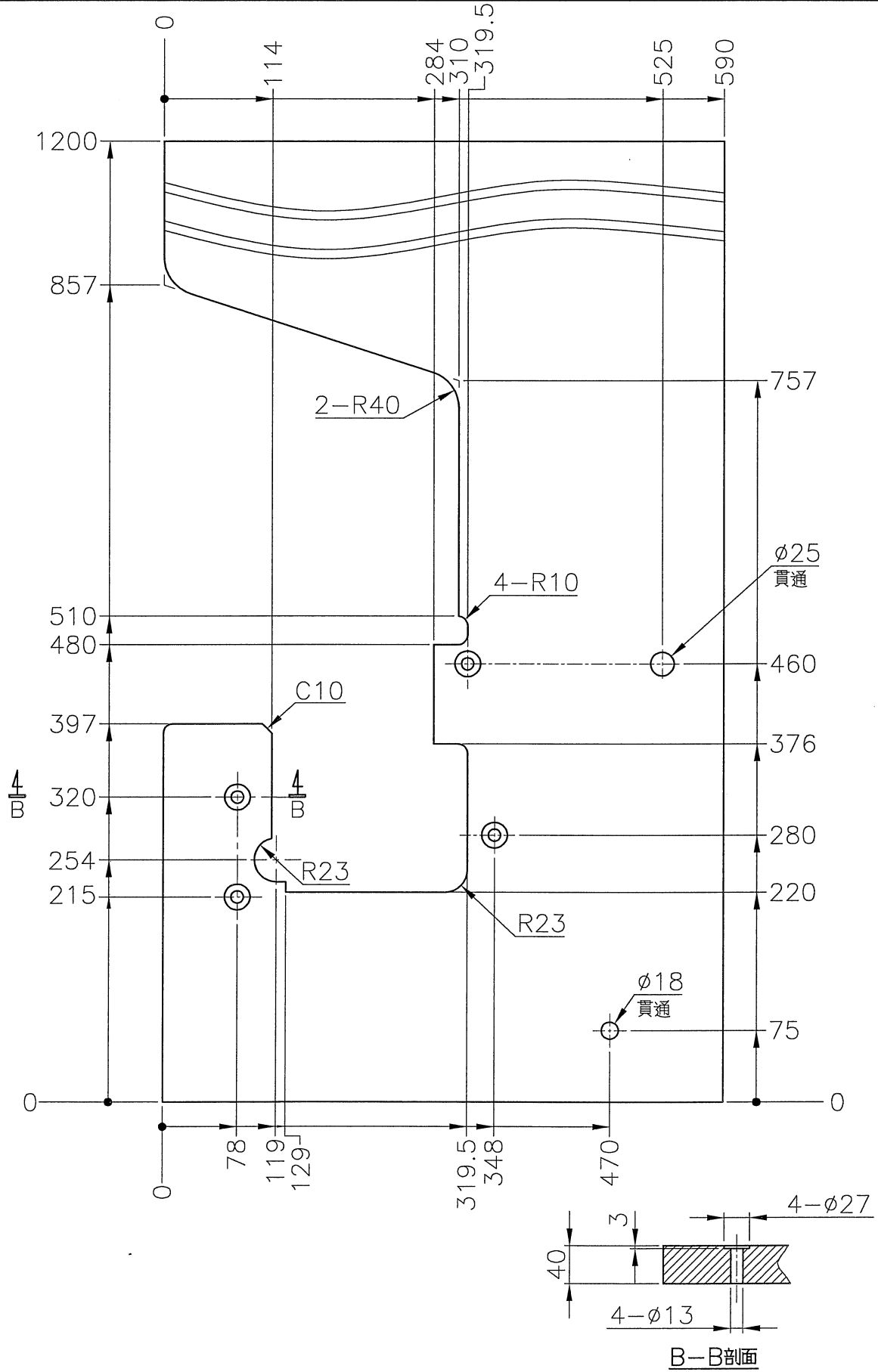
UNIT: mm  
TOLERANCE:  $\pm 2$   
WEIGHT: 11.6 kg  $\pm 5\%$ 

Mounting

Semi-submerged  
installation

Date

2014/06/05



**SIRUBA**

TABLE  
CUT - OUT

Series

700KS/T

Item Code

700KS-T4

Subclass Remark

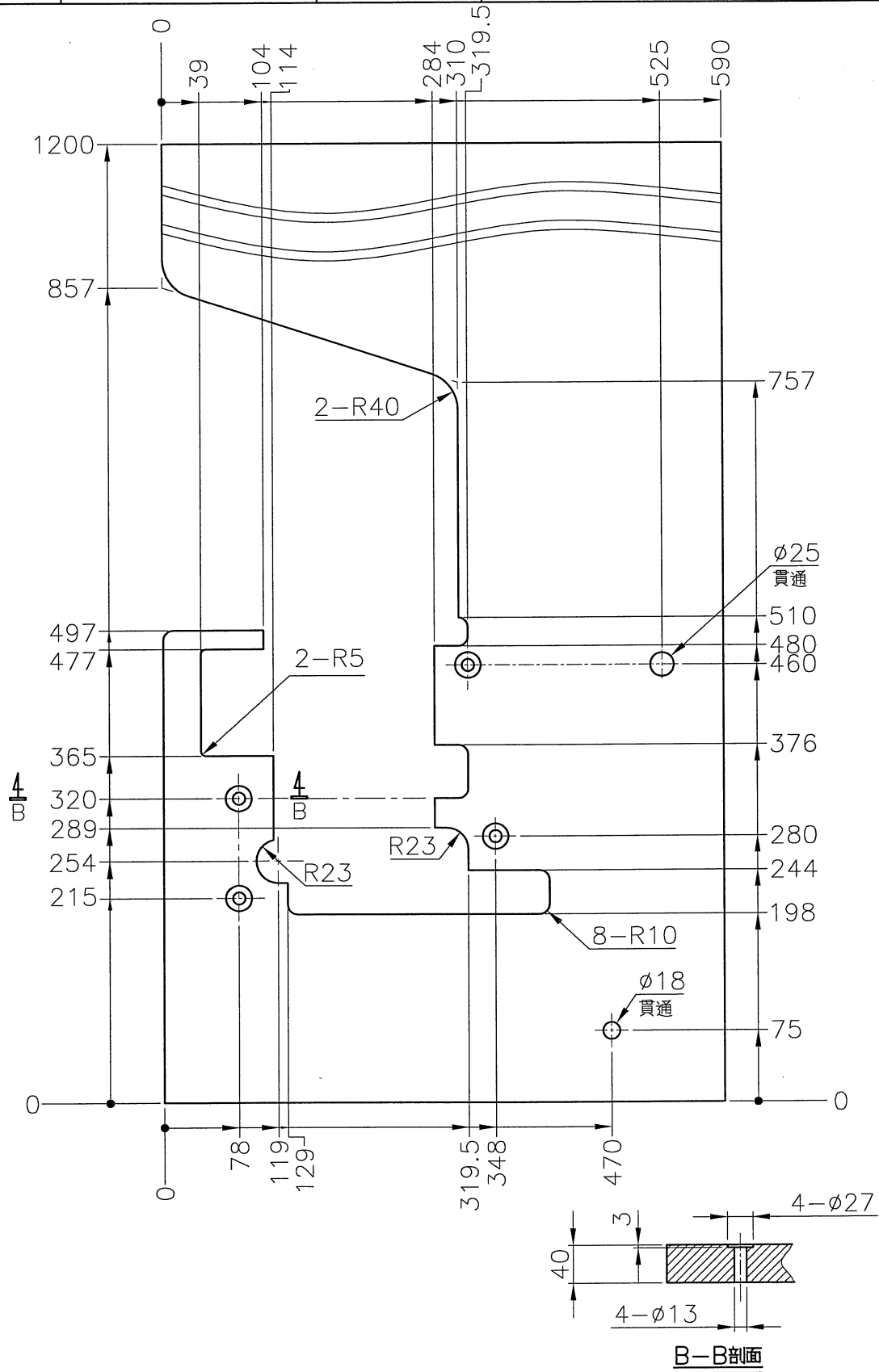
UNIT: mm  
TOLERANCE:  $\pm 2$   
WEIGHT: 11.6 kg  $\pm 5\%$

Mounting

Semi-submerged  
installation

Date

2016/08/08





**SIRUBA**

TABLE  
CUT - OUT

Series

700KS/T

Item Code

700KS-T5

Subclass Remark

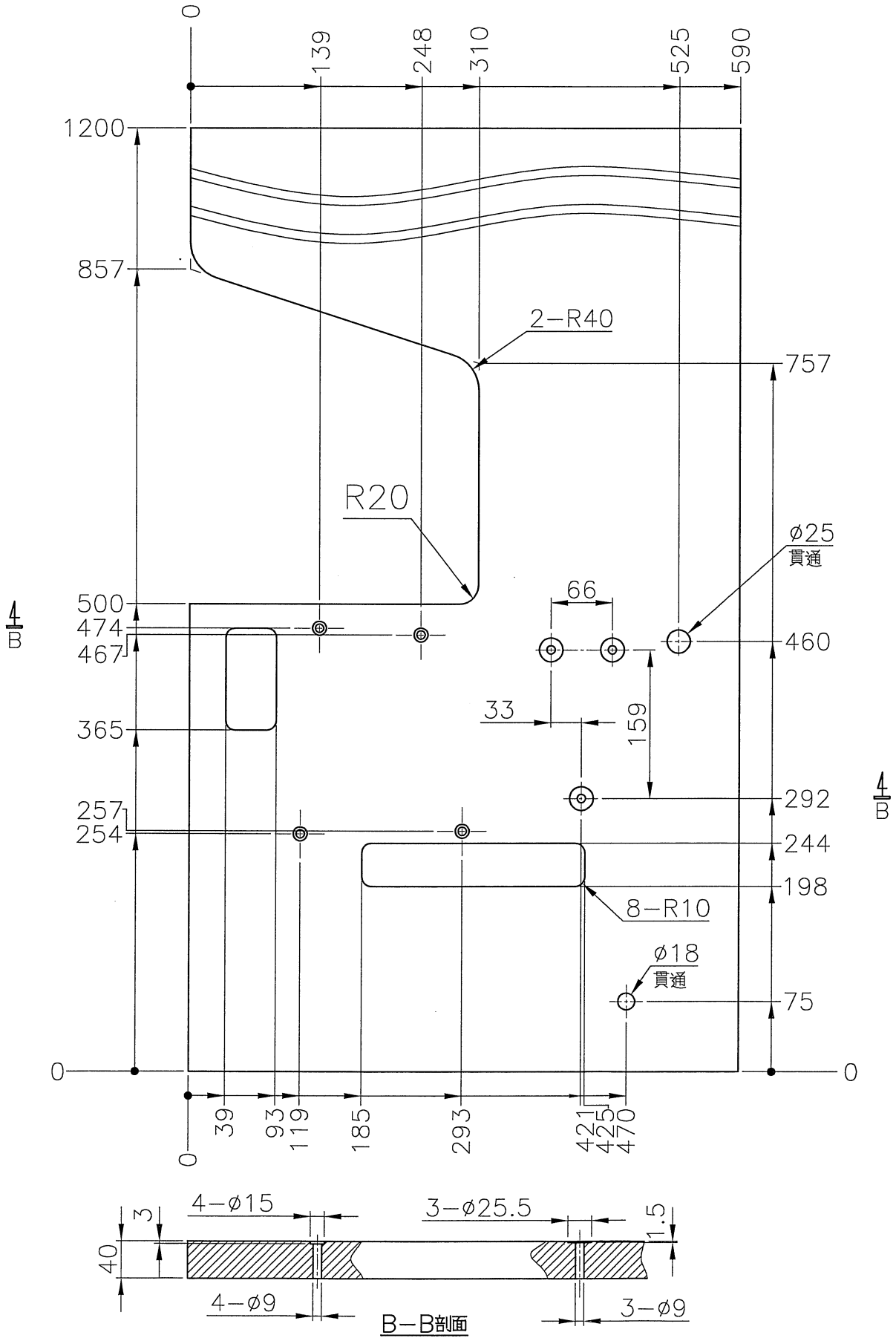
UNIT: mm  
TOLERANCE:  $\pm 2$   
WEIGHT: 11.6 kg  $\pm 5\%$   
For:LFD M/C 需配SM899-A

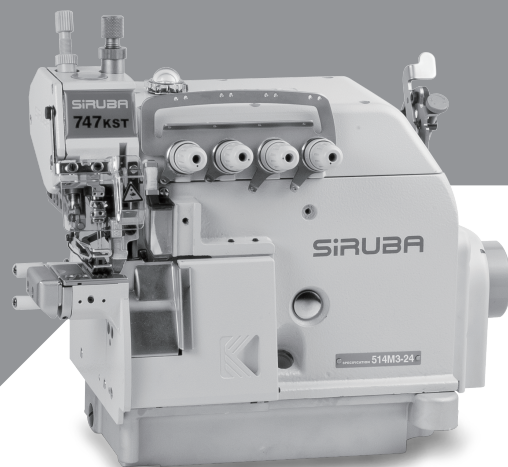
Mounting

Non-submerged

Date

2014/10/17





 高林股份有限公司  
KAULIN MFG. CO., LTD.

由於對產品的改良及更新，本產品使用說明書中與零件圖之產品及外觀的修改恕不事先通知！  
The specification and/or appearances of the equipment described in this instruction book & parts list are subject to change because of modification which will without previous notice.  
700KST.MAY.2015