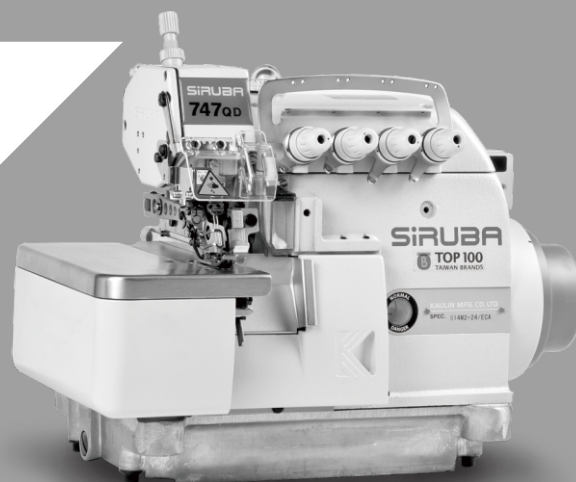


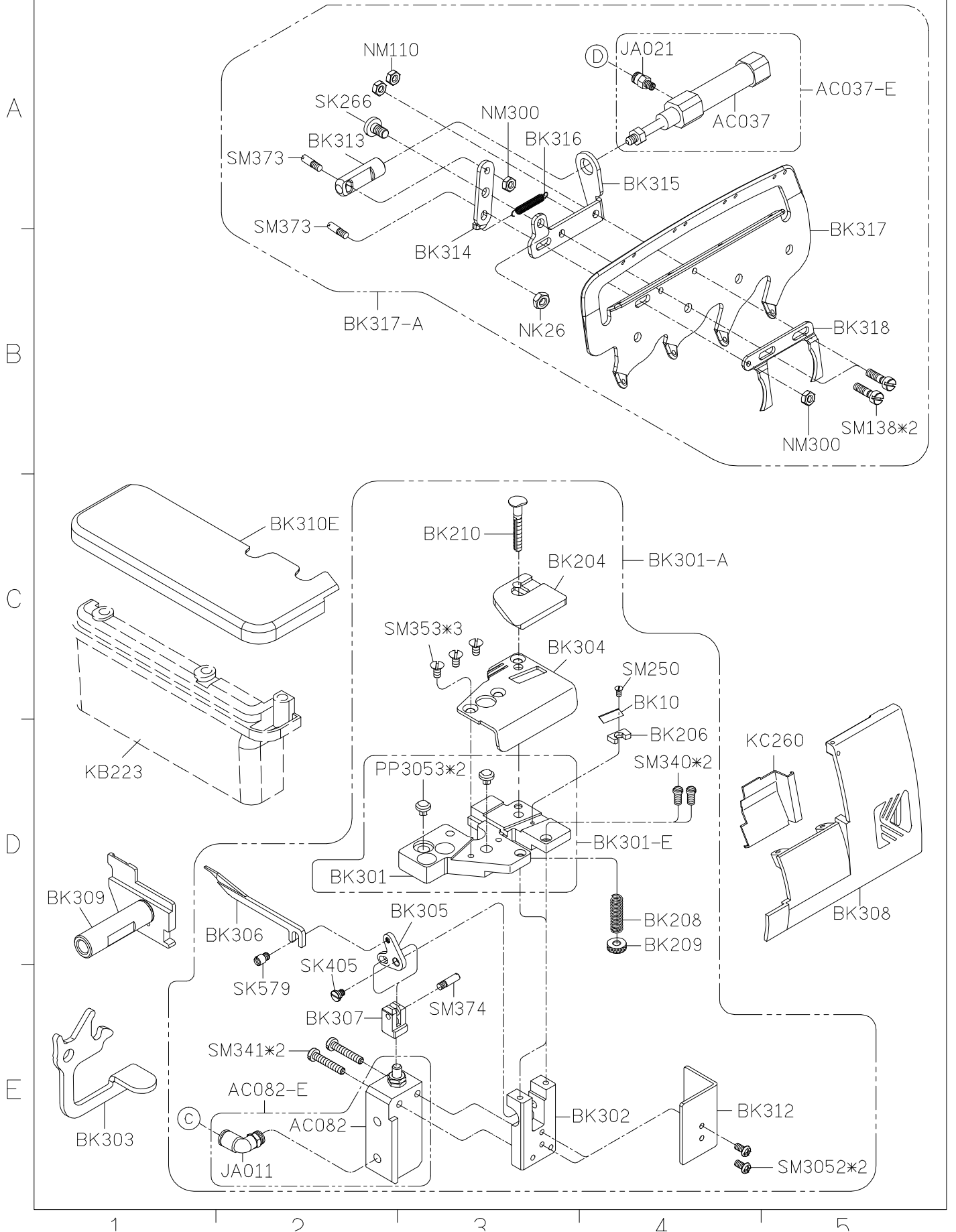
SIRUBA[®] Sew Reach

輔助件
ATTACHMENT PARTS LIST

■ 700QD



CE



SIRUBA

PARTS LIST

Series

700QD/988QD

Parts Group

BKS

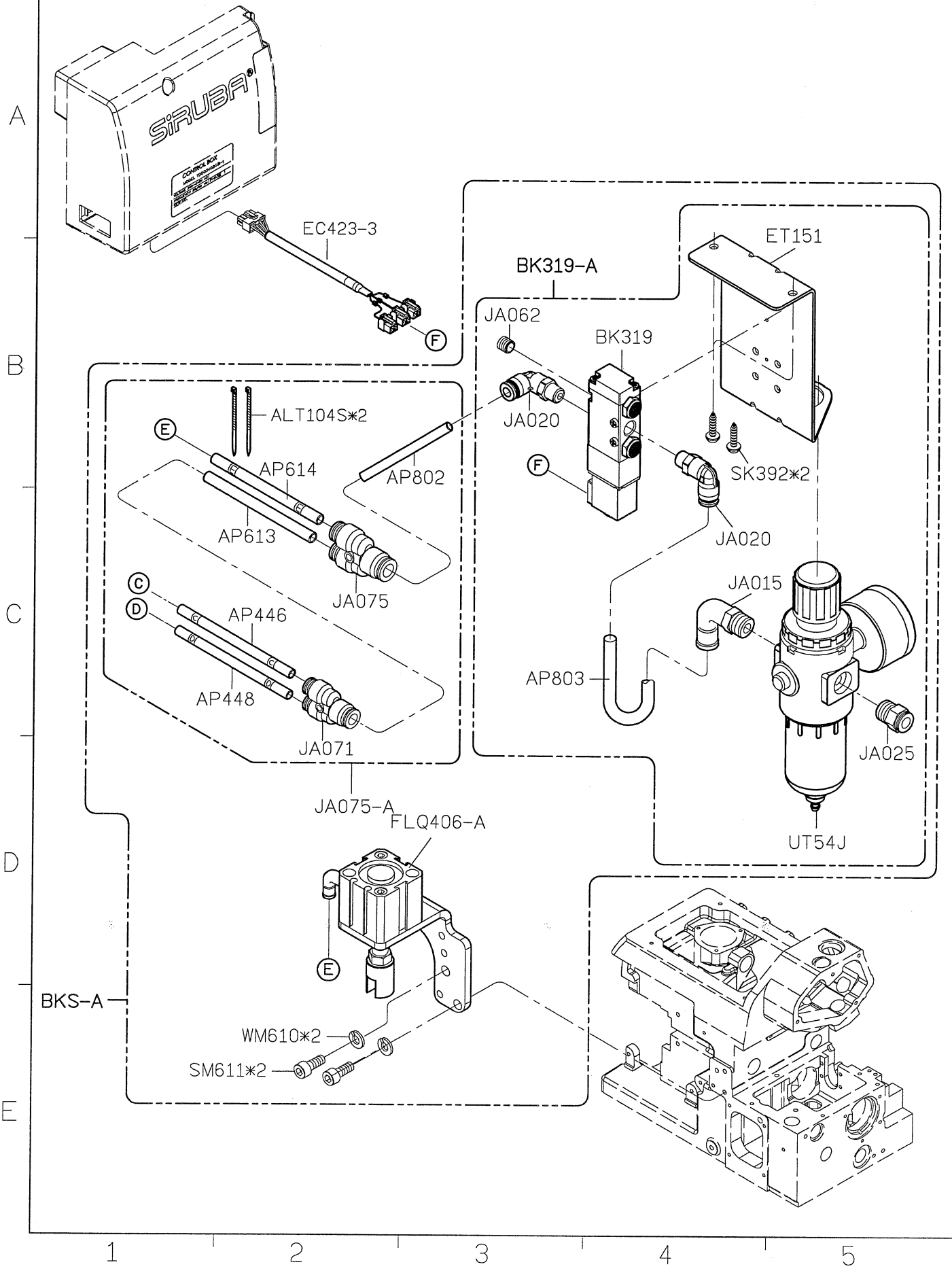
Subclass / Remark

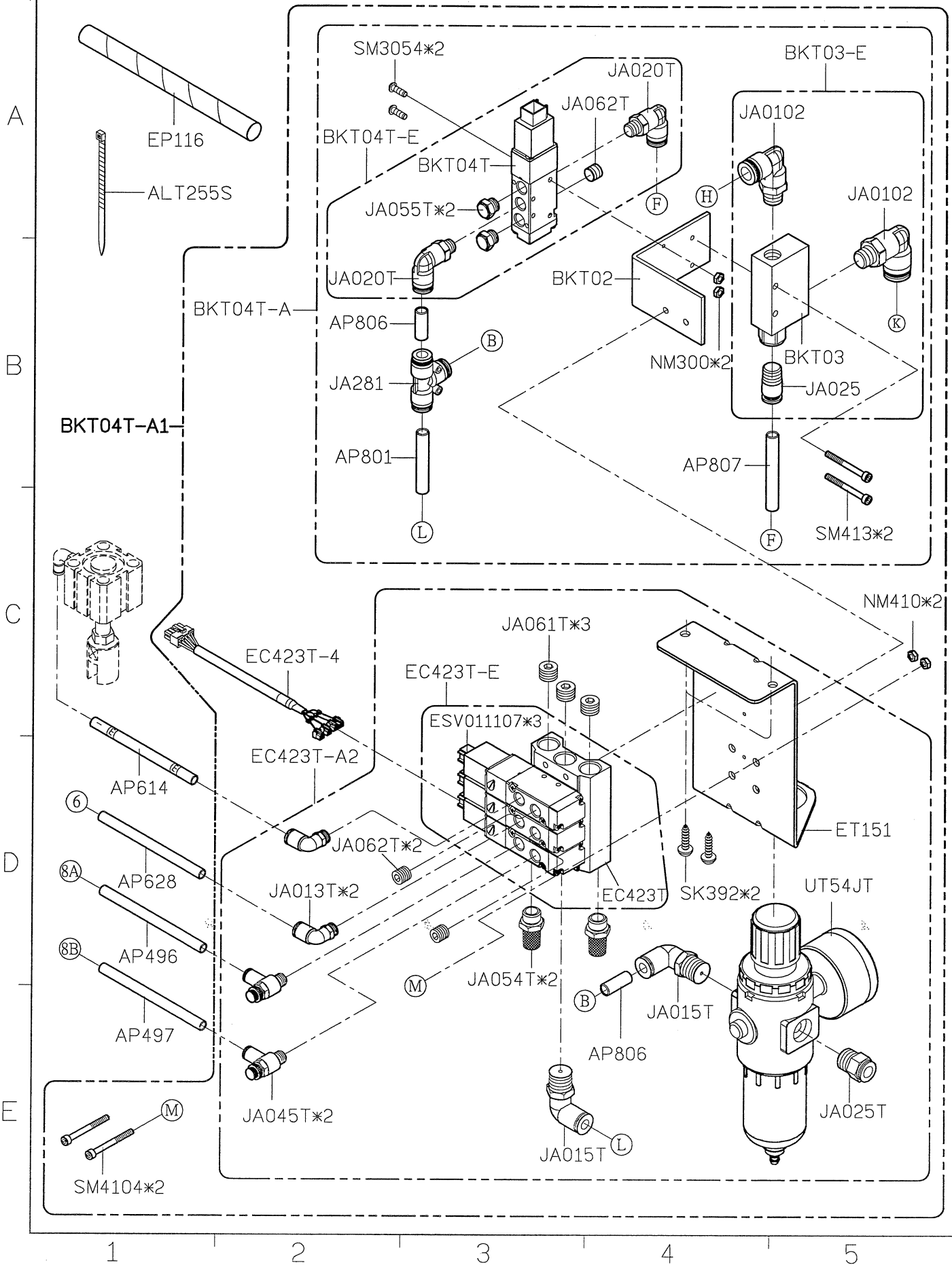
Page

2/2

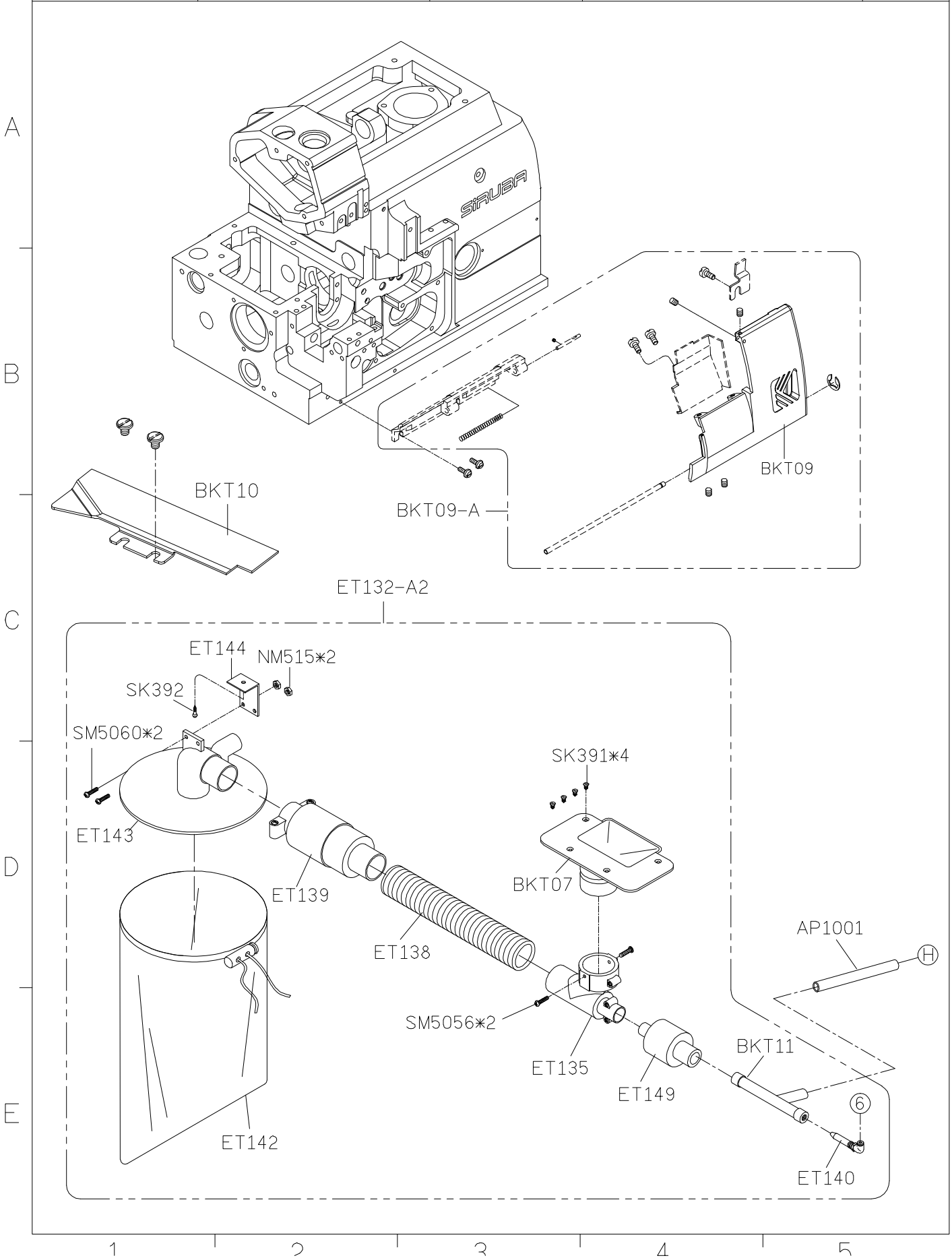
Date

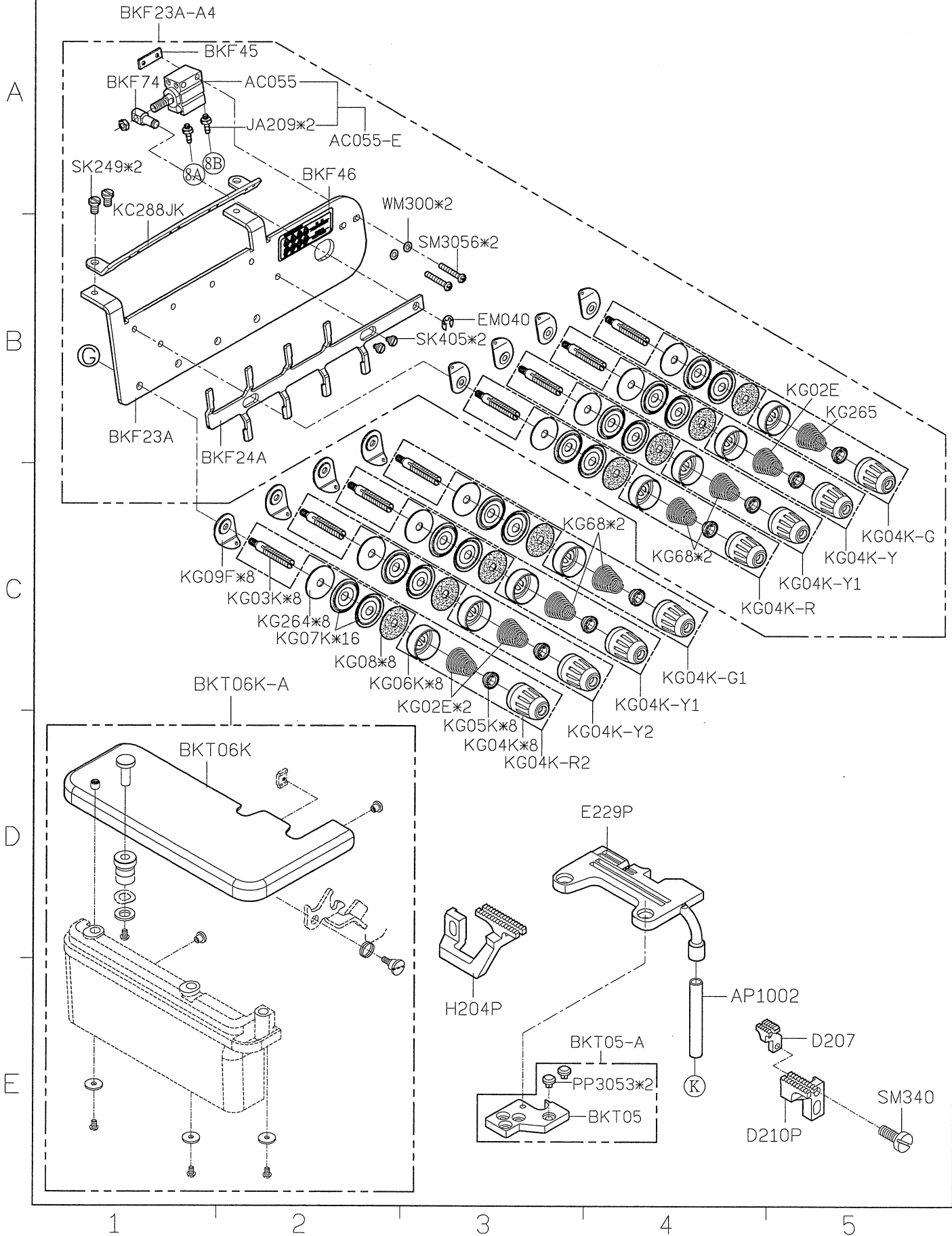
2016/02/18



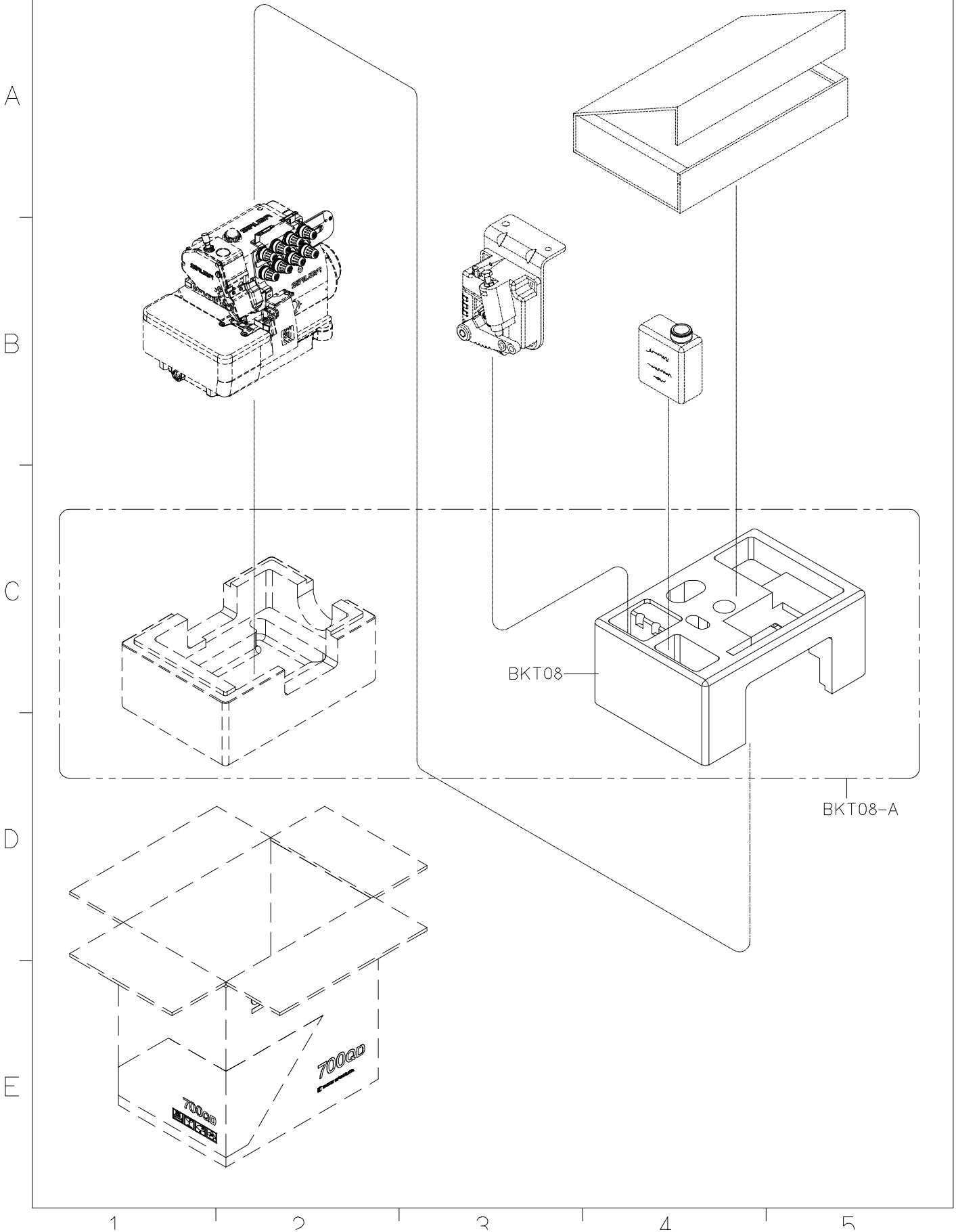


SIRUBA PARTS LIST	Series	Parts Group	Subclass / Remark	Page
	700QD/988QD	BKT	FOR ECB-QD	2/4
				Date
				2015/03/17





SIRUBA PARTS LIST	Series	Parts Group	Subclass / Remark	Page
	700QD/988QD	BKT	FOR ECB-QD	4/4
				Date
				2015/3/17



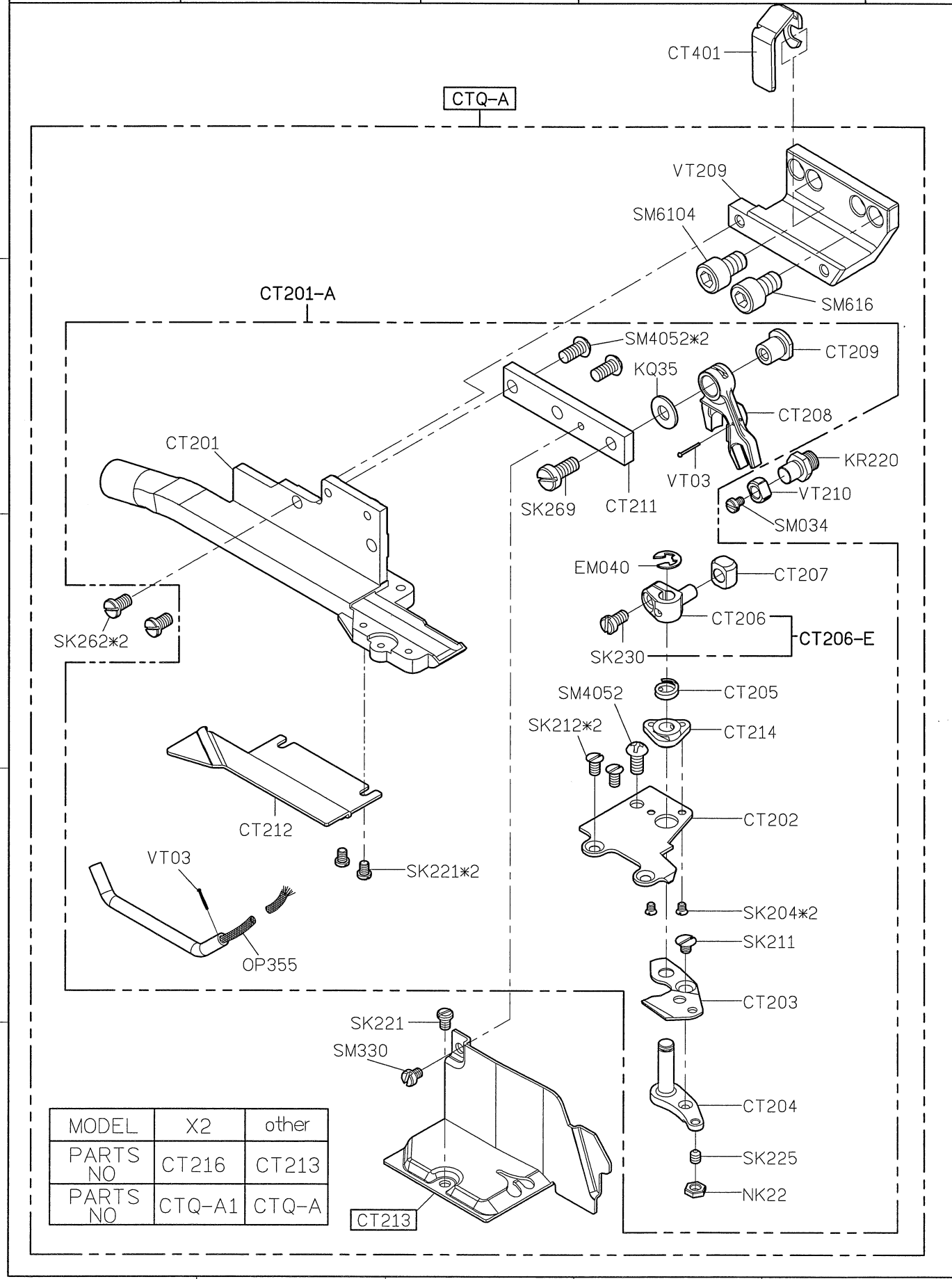
A

B

C

D

E



MODEL	X2	other
PARTS NO	CT216	CT213
PARTS NO	CTQ-A1	CTQ-A

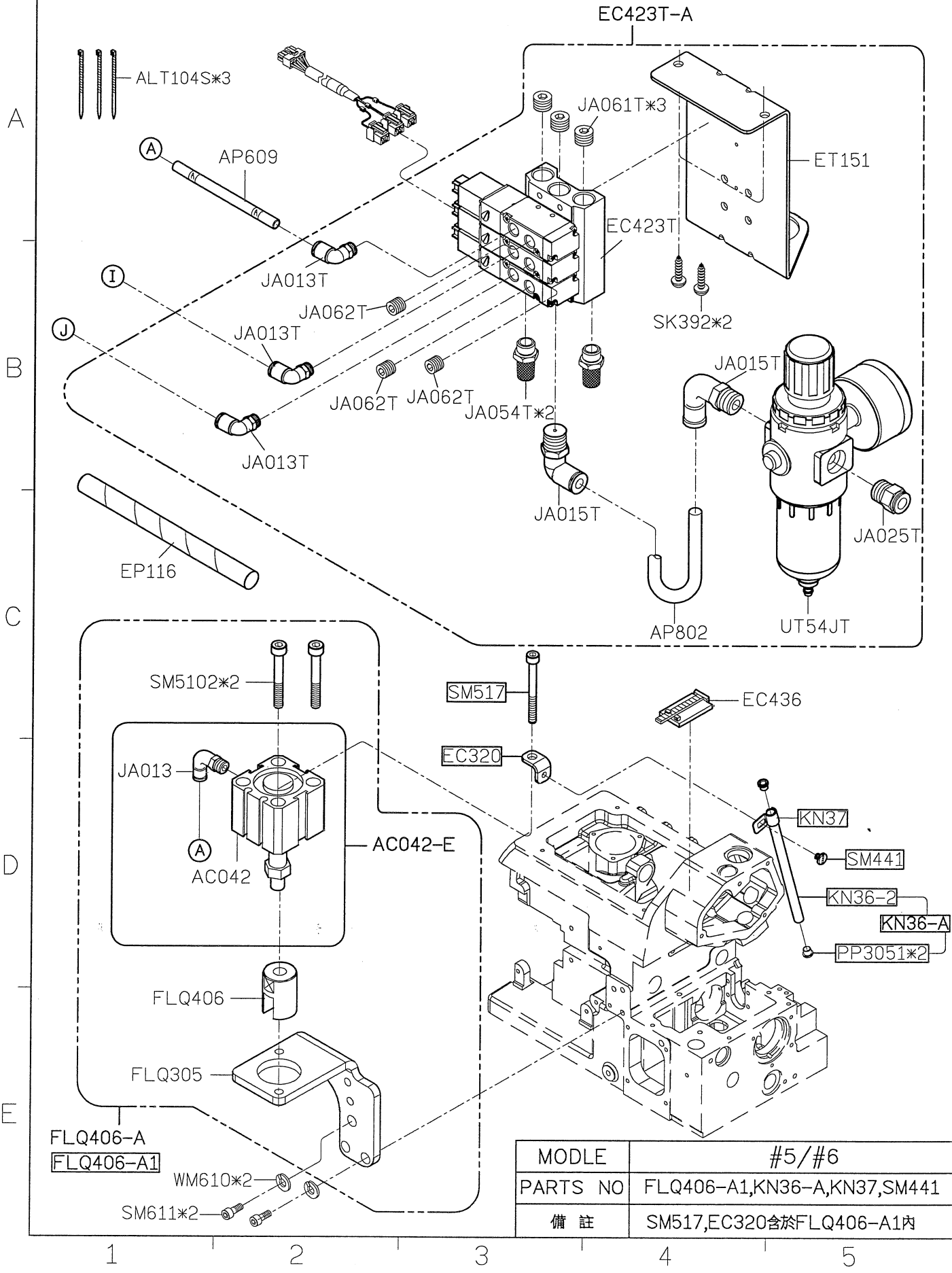
1

2

3

4

5



MODLE	#5/#6
PARTS NO	FLQ406-A1,KN36-A,KN37,SM441
備註	SM517,EC320含於FLQ406-A1内

SIRUBA

PARTS LIST

Series

700QD/988QD

Parts Group

CTE-QD

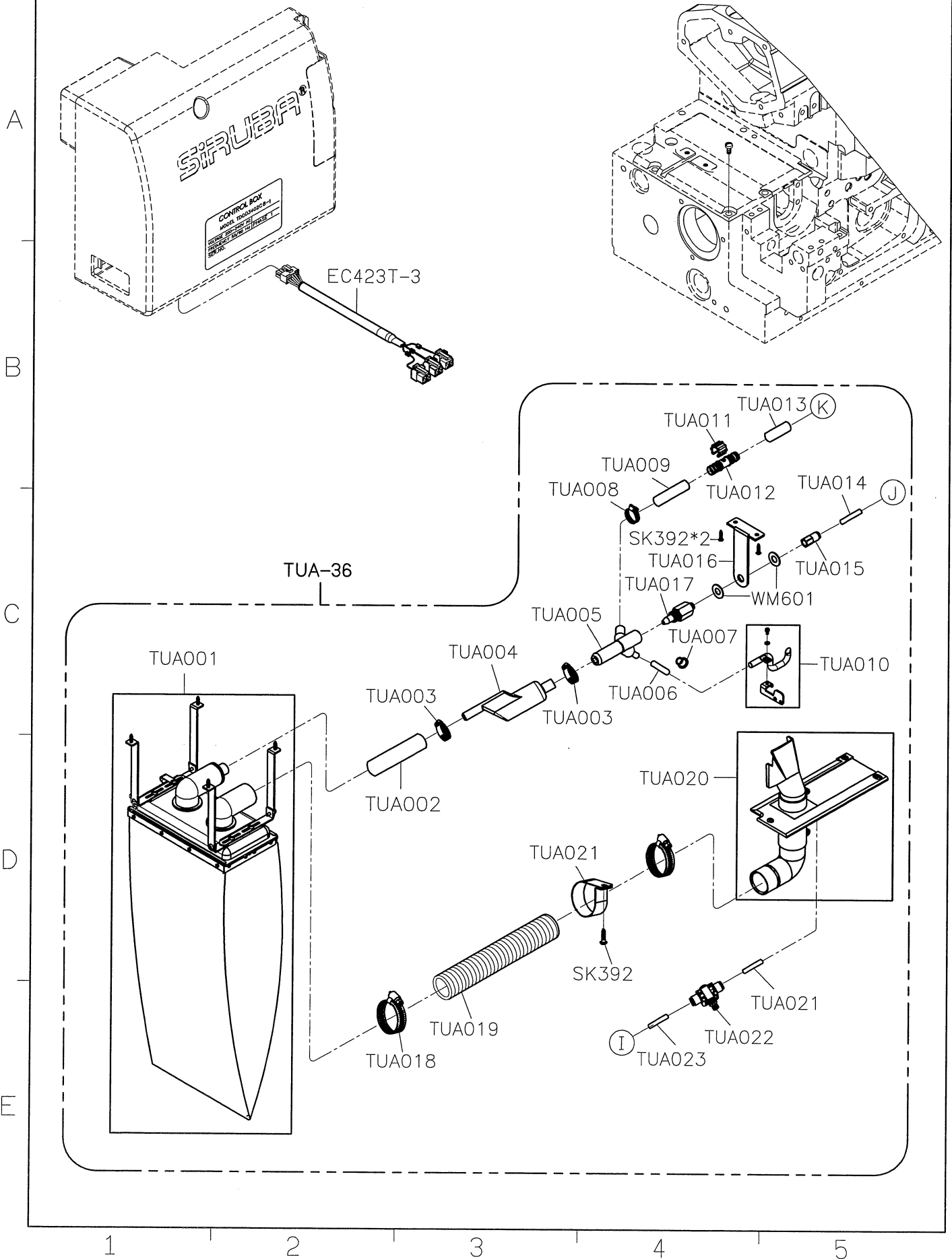
Subclass / Remark

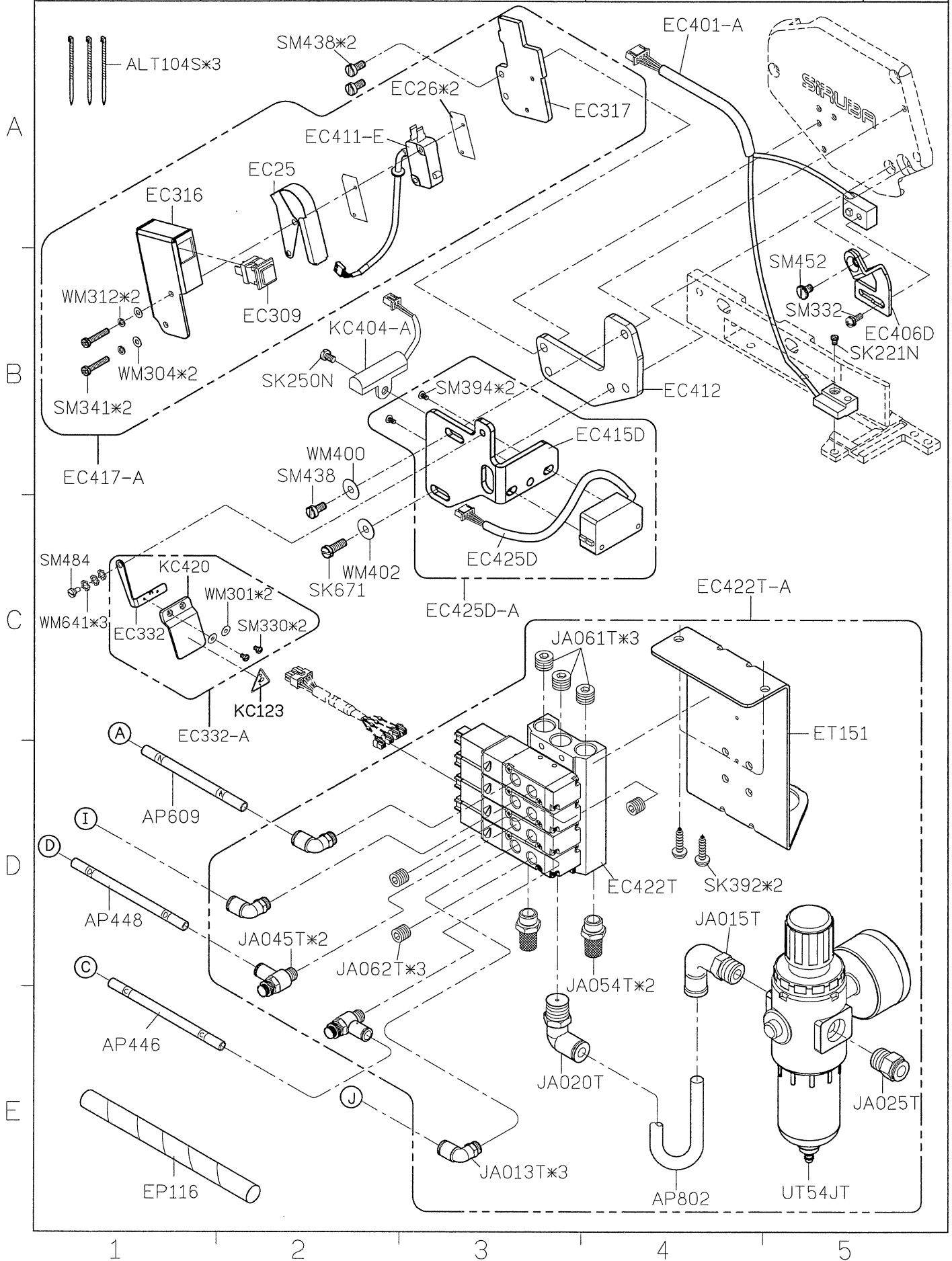
Page

4/4

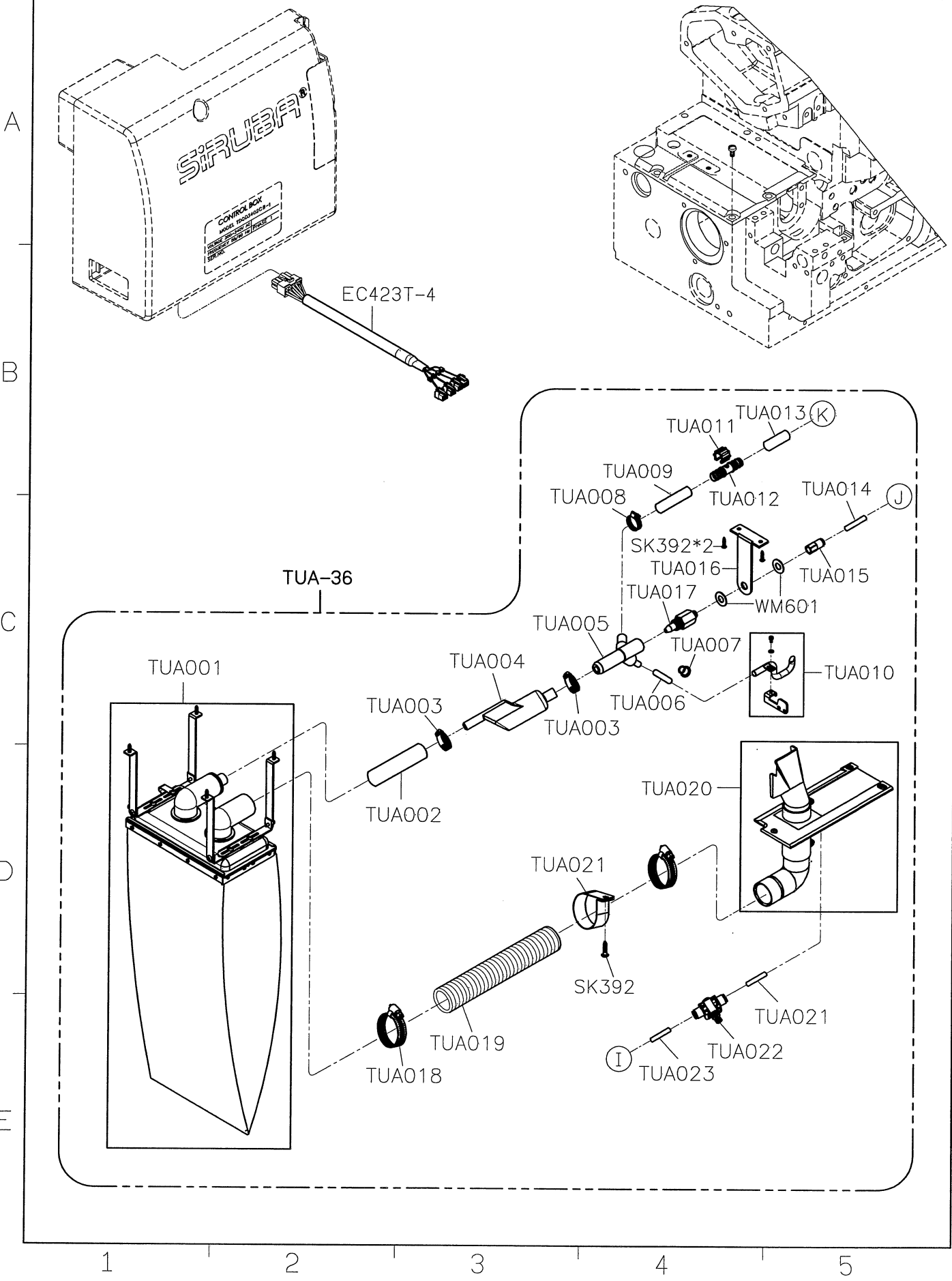
Date

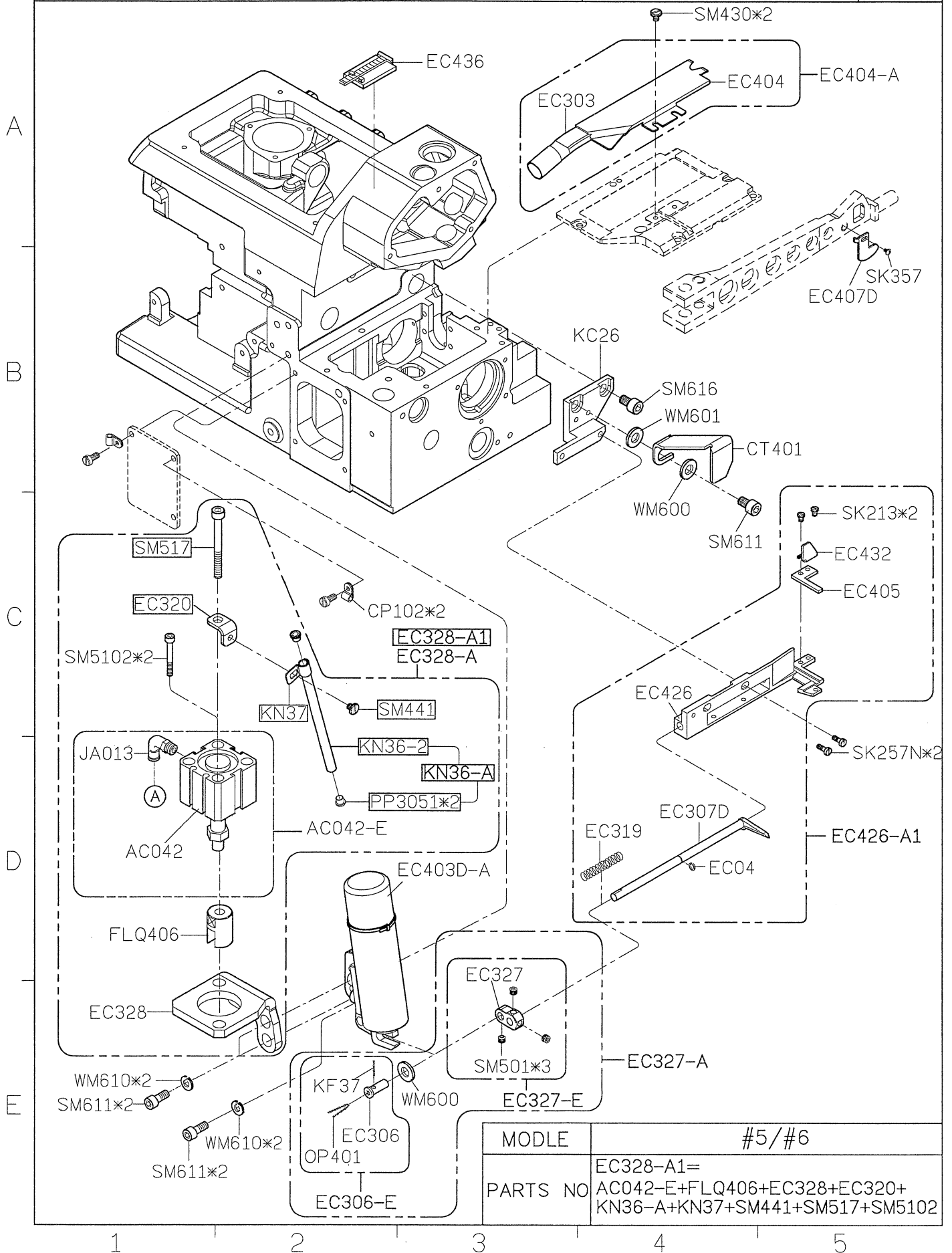
2016/12/21

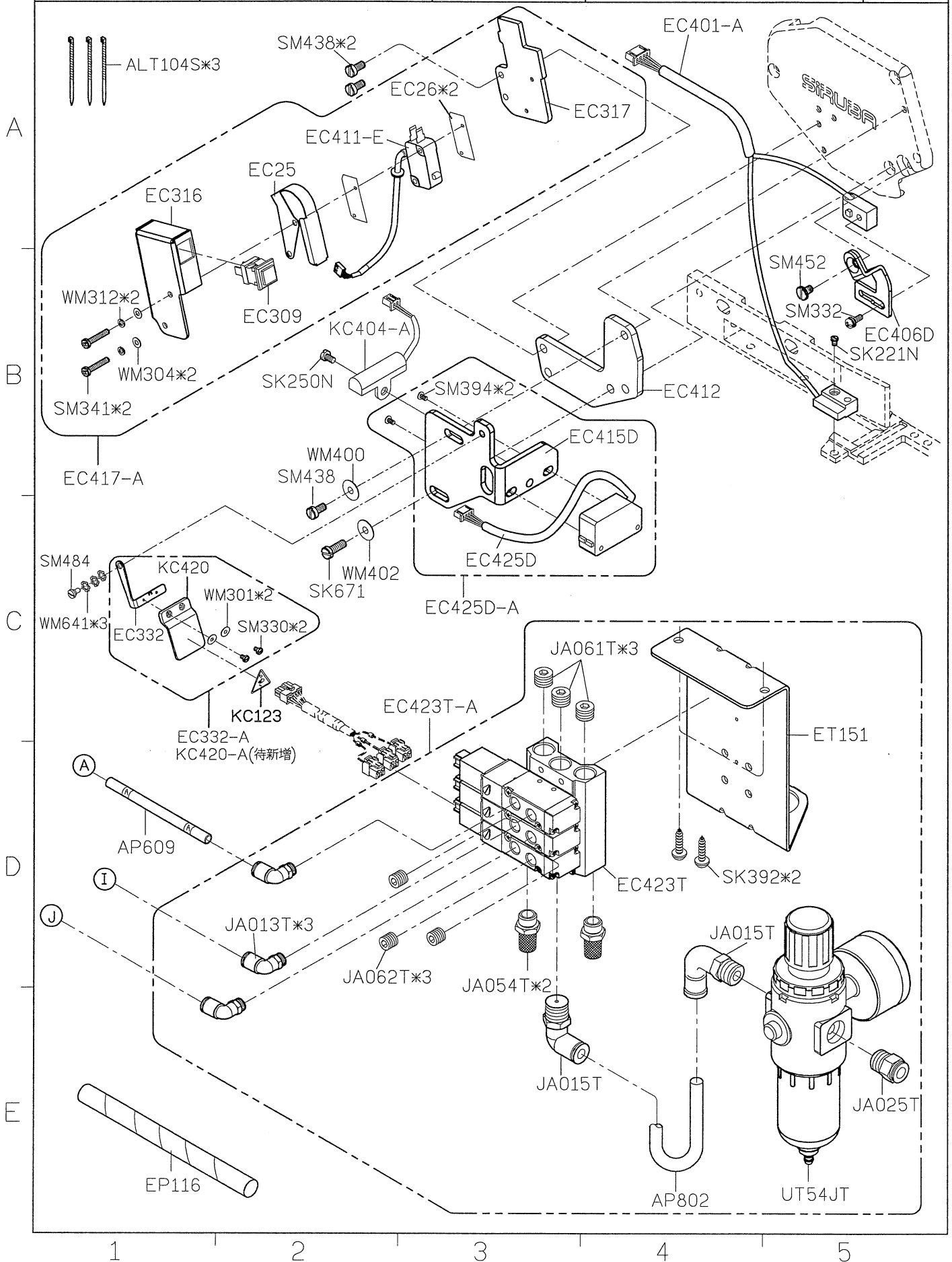




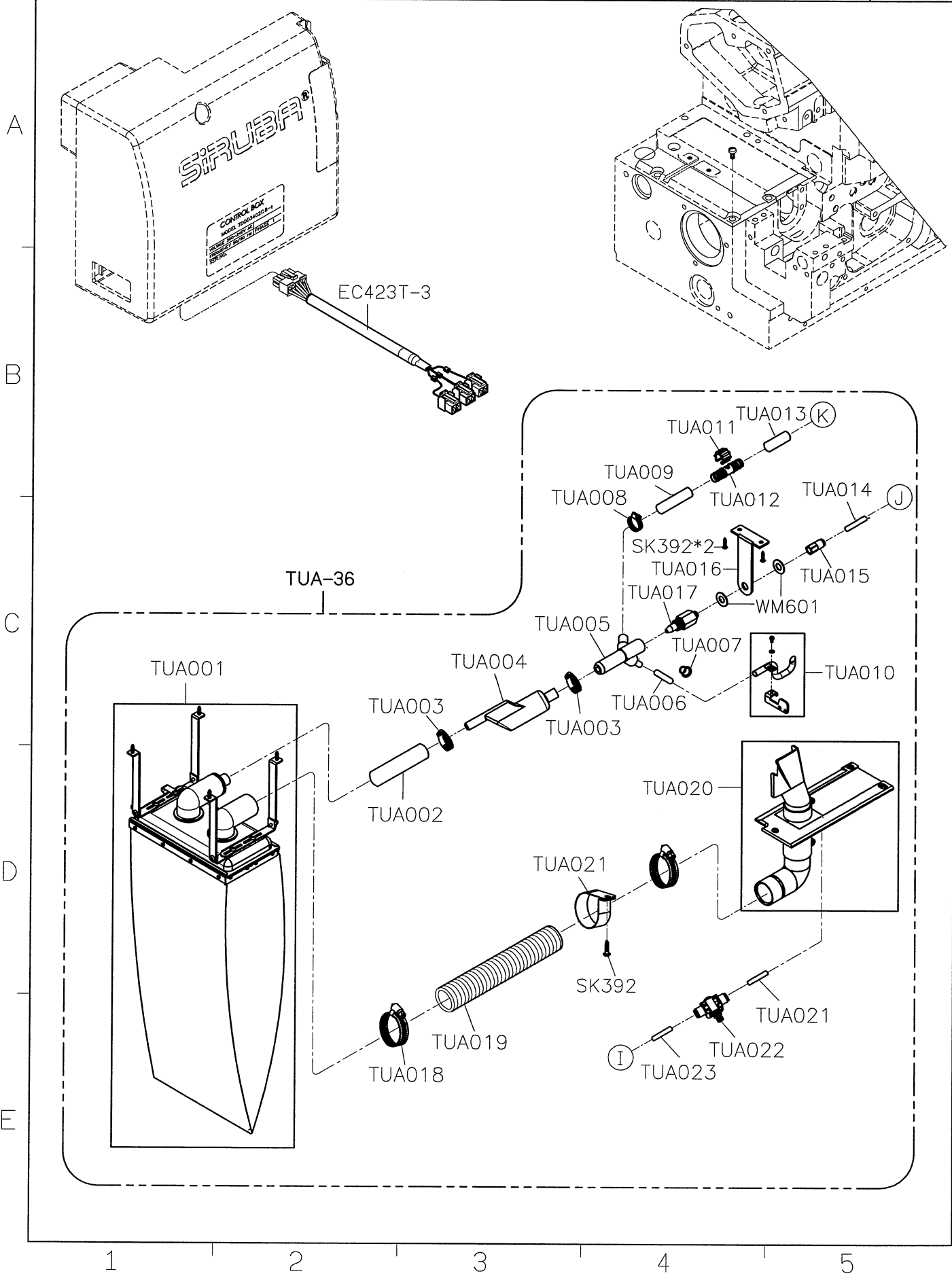
SIRUBA PARTS LIST	Series	Parts Group	Subclass / Remark	Page
	700QD/988QD	ECA-QD		3/3
				Date
				2016/8/11



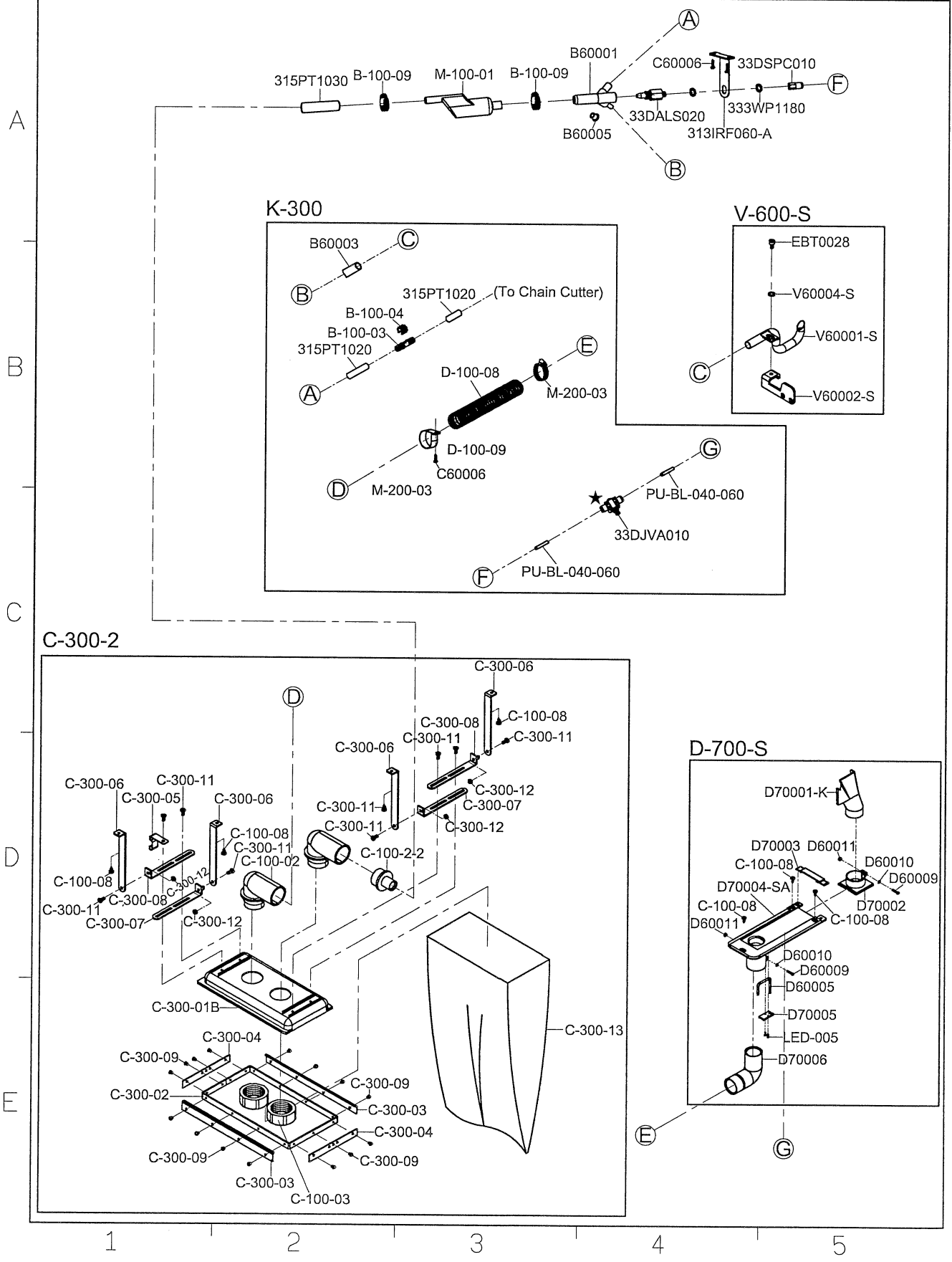




SIRUBA PARTS LIST	Series	Parts Group	Subclass / Remark	Page
	700QD/988QD	ECB-QD		3/3
				Date
				2016/8/11



SIRUBA PARTS LIST	Series	Parts Group	Subclass / Remark	Page
	700QD	TUA-36	Note 註記: 1) ★ Before installation, please check one side is Air IN, another side is Air OUT. 2) 空氣有效使用壓力 Effective air pressure: 4-6 kg/cm 3) 請適度修剪管子長度，以達到風力最佳效能。	1/1 Date 2016/11/02



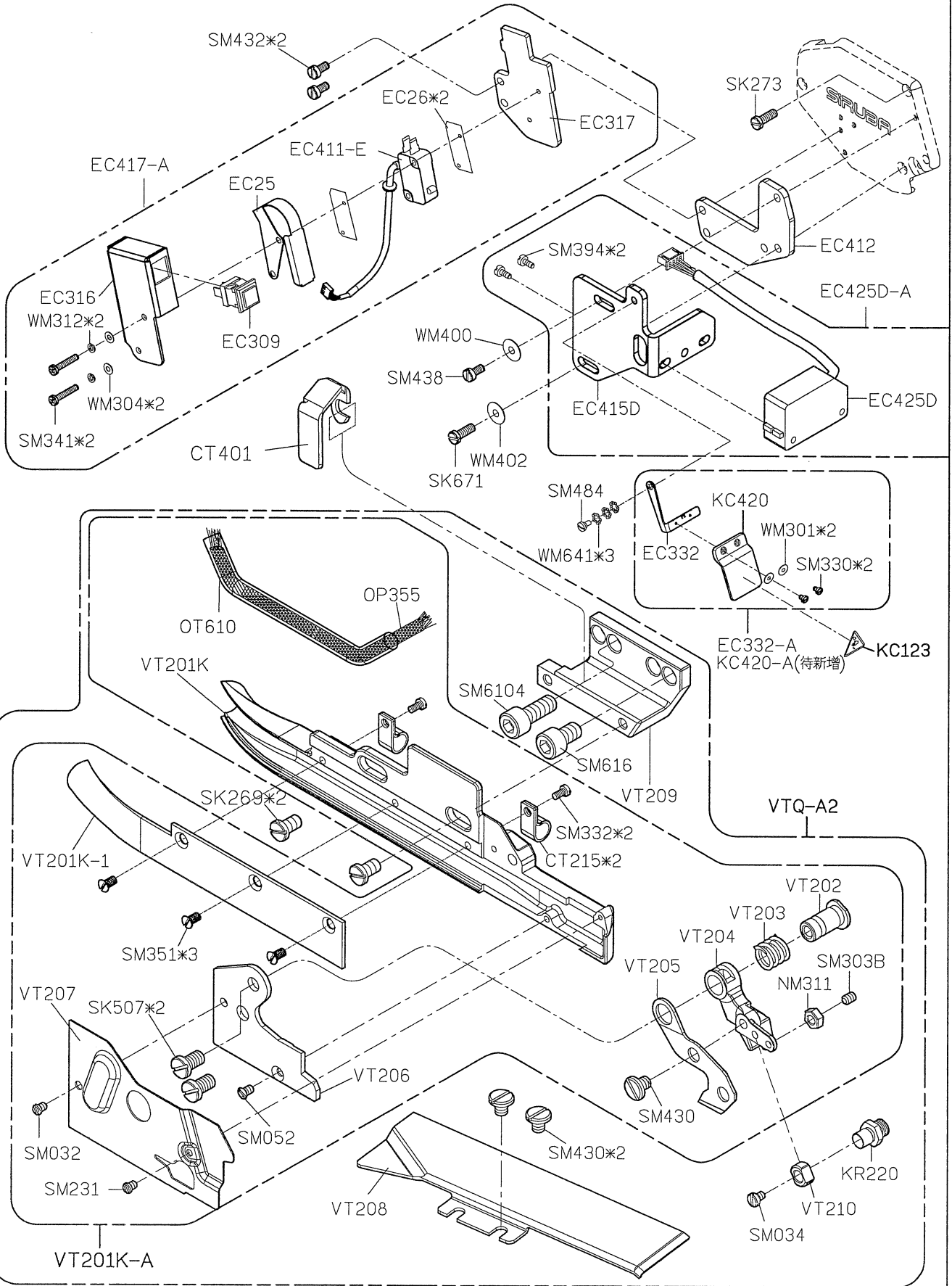
A

B

C

D

E



1

2

3

4

5

SIRUBA

PARTS LIST

Series

700QD/988QD

Parts Group

VTE-QD

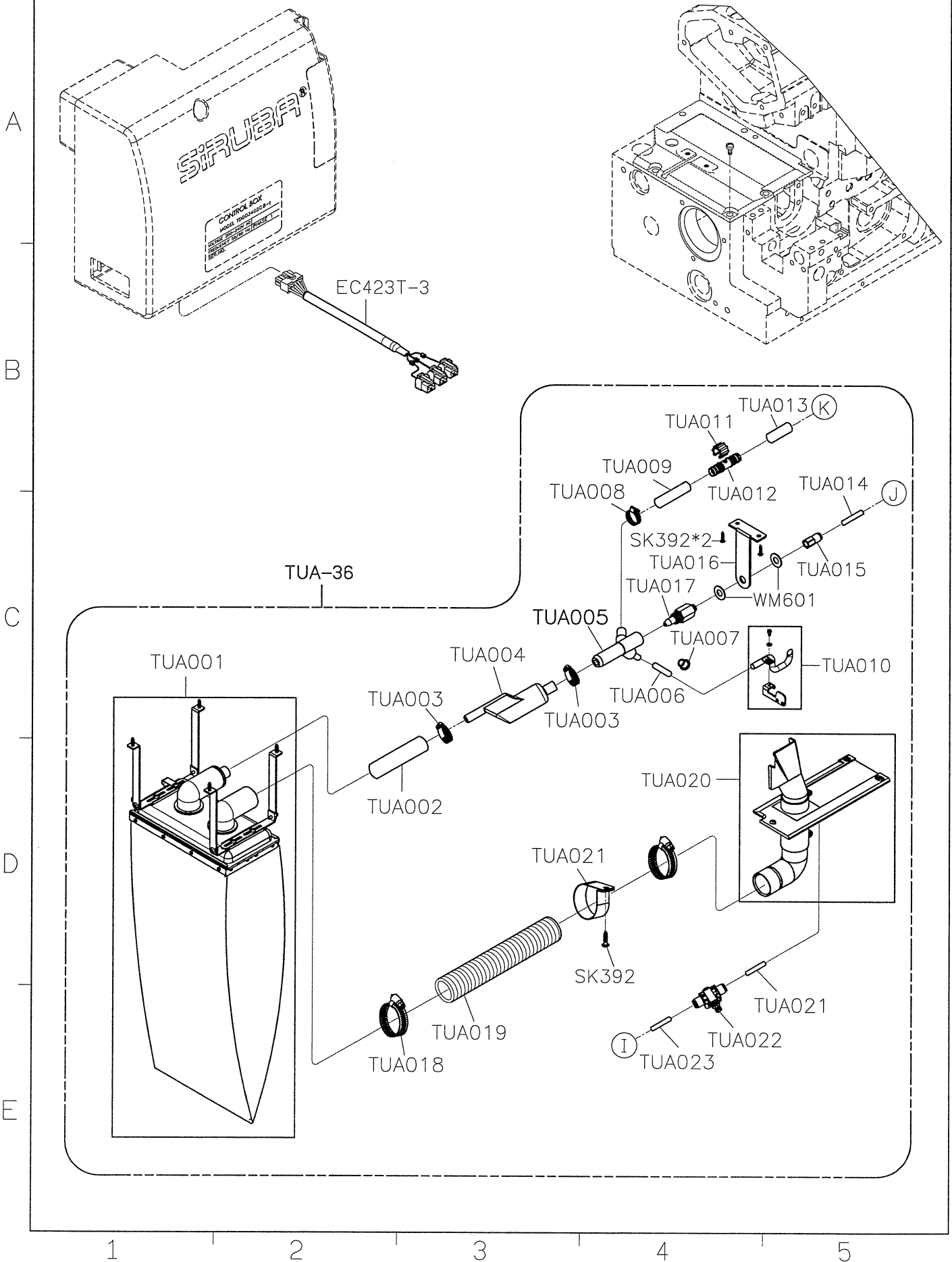
Subclass / Remark

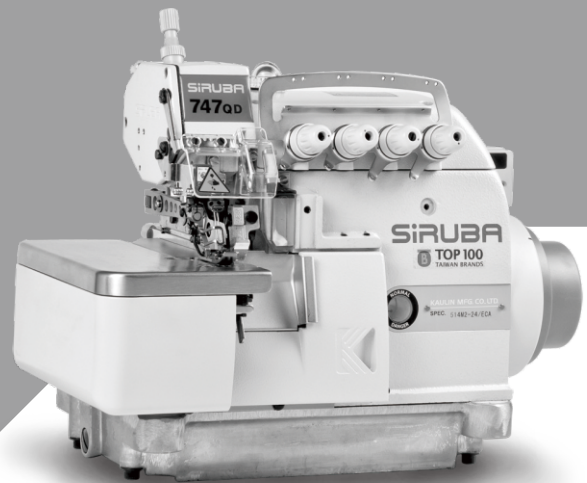
Page

3/3

Date

2017/1/25





 高林股份有限公司
KAULIN MFG. CO., LTD.

由於對產品的改良及更新,本產品零件圖中之產品及外觀的修改恕不事先通知!
The specification and/or the equipment described in the parts list
are subject to change because of modification with out previous notice
700QD.AUG.2015