
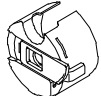
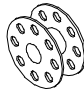



| | | | | |
|----------------------------------|--------|---------|------|------------|
| SIRUBA GAGE PARTS LIST | Series | Remark | Page | Date |
| | L918 | NM1/NH1 | 1/1 | 2012/11/01 |

L918-NM1/NH1規格件表 /CONVERSION CHART

|  |  |  |  |  |  |  |  |  |
|---|---|---|--|---|---|---|---|---|
| MODEL | SUB-CLASS | NEEDLE PLATE | FEED DOG | PRESSER FOOT | HOOK ASM | BOBBIN CASE ASM | BOBBIN | NEEDLE |
| 機 型 | 規 格 | 針 板 | 送 具 | 押 具 | 梭 頭 | 梭 殼 | 梭 子 | 針 號 |
| L918-NM1 | 薄至中厚布料 | E706 | D704 | P708 | G123 | G201 | G301 | DBX1#14 |
| L918-NH1 | 中厚至厚布料 | E707 | D714 | P714 | G124 | G201 | G301 | DBX1#22 |

| | | | | |
|--|-------------------------|---------|------|------------|
| SIRUBA MODEL COMPARE LIST | Series | Remark | Page | Date |
| | L918/L918U/DL918/DL7000 | NM1/NH1 | 1/3 | 2013/06/10 |

L918/L918U/DL918/DL7000 型別件表

|  |  |  |  |  |  |  |  |  |  |
|---|---|---|---|--|---|---|---|---|---|
| MODEL | SUB-CLASS | SPRING | SPRING | ECCENTRIC | THREAD GUIDE | NEEDLE BAR | FIXED PIN | ADJUSTING KNOB | HOOK FIXER |
| 機 型 | 規 格 | 控線彈簧 | 控線彈簧 | 偏心凸輪 | 擋環片 | 針棒 | 固定銷 | 調整旋鈕 | 旋梭定位板 |
| NM1 | 薄布料 ~ 中厚料 | LA31 | LA22 | LN38 | A LA17 | LN37 | LC13 | LC23G | LE14D |
| | | | | | B SK613 | | | | |
| NH1 | 中厚料 ~ 厚布料 | LA131 | LA122 | LN63 | A LA150 | LN62 | LC613 | LC623G | LE614D |
| | | | | | B SK689 | | | | |

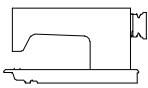
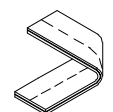

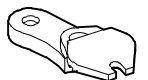

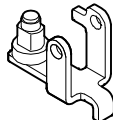

| | | | | |
|--|-------------------------|---------|------|------------|
| SIRUBA MODEL COMPARE LIST | Series | Remark | Page | Date |
| | L918/L918U/DL918/DL7000 | NM1/NH1 | 2/3 | 2013/01/01 |

L918/L918U/DL918/DL7000 型別件表

| MODEL | SUB-CLASS | SOLENOID BRACKET | PRESSER PLATE | FIXED PLATE | FIXED PLATE | CONNECTING ROD | CONNECTING ROD | MOVABLE KNIFE | MOVABLE KNIFE | | |
|-------|-----------------|------------------|---------------|-------------|-------------|----------------|----------------|---------------|---------------|-------|-------|
| 機 型 | 規 格 | 電磁閥座 | 押板 | 固定刀 | 固定片 | 連桿 | 連桿 | 活動刀 | 活動刀 | | |
| NM1 | 薄布料 ~ 中厚料 | LU26 | LU04 | LU05 | LU28 | A | LU15 | — | A | LU02 | |
| | | | | | | B | SK662 | | B | SK660 | |
| | | | | | | c | EM050 | | | | |
| | | | | | | D | SK664 | | | | |
| NH1 | 中厚料 ~ 厚布料 | LU626 | LU604 | LU605 | LU628 | — | A | LU615 | — | A | LU602 |
| | | | | | | | B | SK677 | | B | SK683 |
| | | | | | | | c | NK26/WM402 | | | |
| | | | | | | | D | SK682 | | | |

| | | | | |
|--|-------------------------|---------|------|------------|
| SIRUBA MODEL COMPARE LIST | Series | Remark | Page | Date |
| | L918/L918U/DL918/DL7000 | NM1/NH1 | 3/3 | 2013/01/01 |

L918/L918U/DL918/DL7000 型別件表

|  |  |  |  |  |  |  |
|---|---|---|--|---|---|---|
| MODEL | SUB-CLASS | MOVABLE KNIFE CONNECTING ROD | MOVABLE KNIFE CONNECTING ROD | PRESSER PLATE | MOVABLE KINFE | TRIMMER SOLENOID |
| 機 型 | 規 格 | 活動刀連桿 | 活動刀連桿 | 刀座 | 轉子連桿 | 切線電磁閥 |
| NM1 | 薄布料 ~ 中厚料 | LU01 | — | LU03 | LU18 | LU25 |
| NH1 | 中厚料 ~ 厚布料 | — | LU601 | LU603 | LU618 | LU625 |

SIRUBA**PARTS LIST****Series****L918-NM1/NH1****Parts Group****LA****Subclass / Remark**

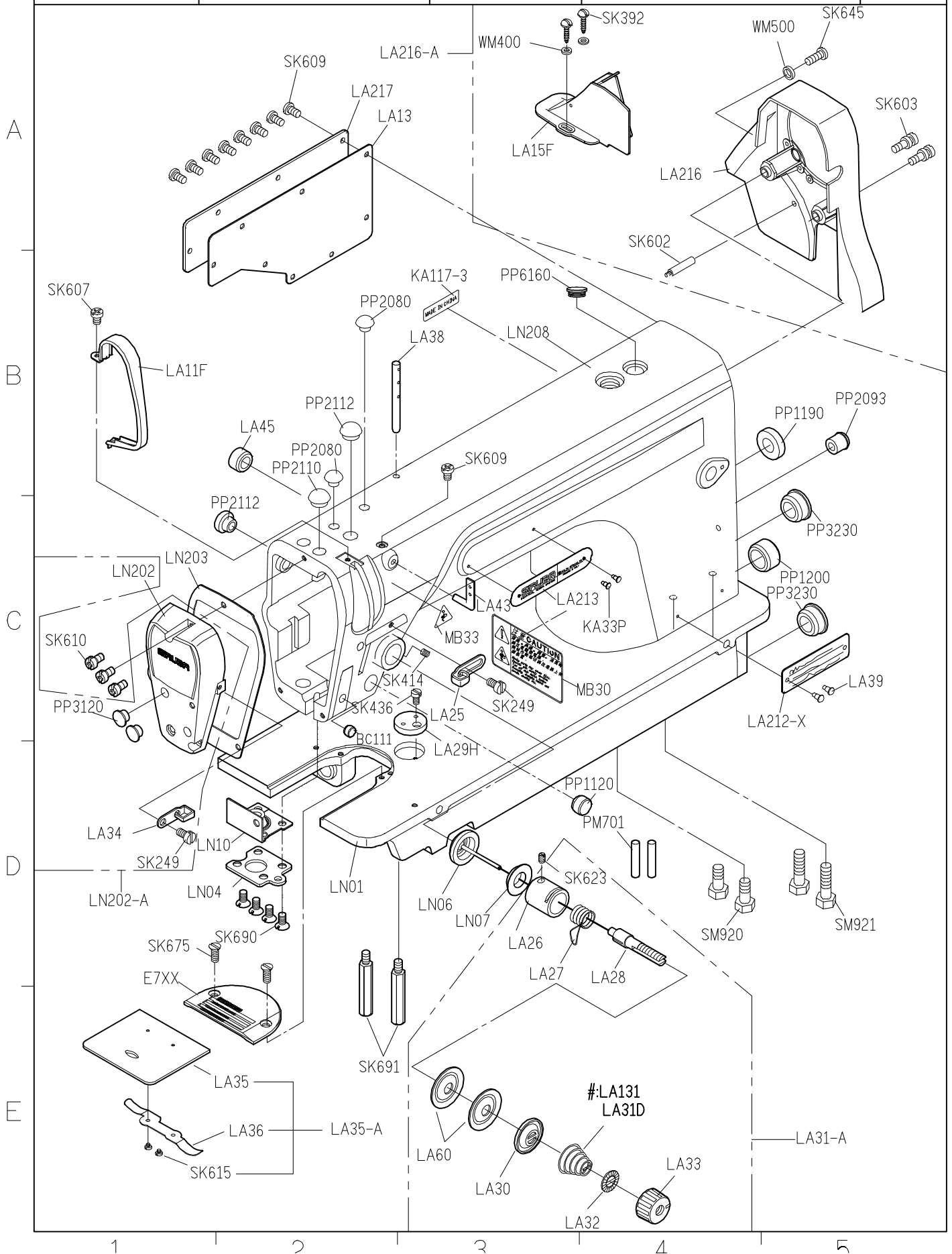
#:Use for NH1

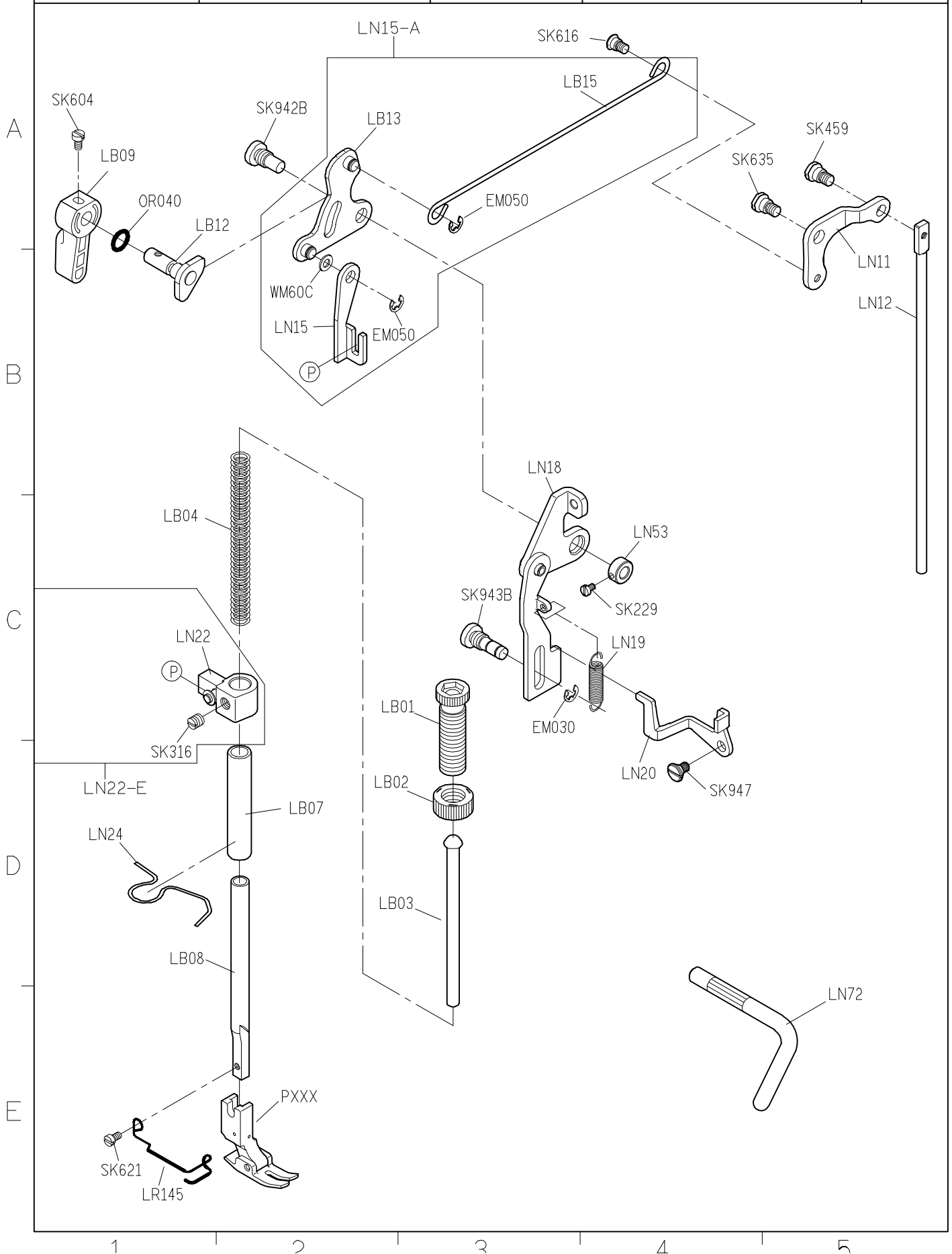
Page

1/1

Date

2012/11/01





SIRUBA

PARTS LIST

Series

L918-NM1/NH1

Parts Group

LC

Subclass / Remark

#:Use for NH1

Page

1/1

Date

2015/2/5

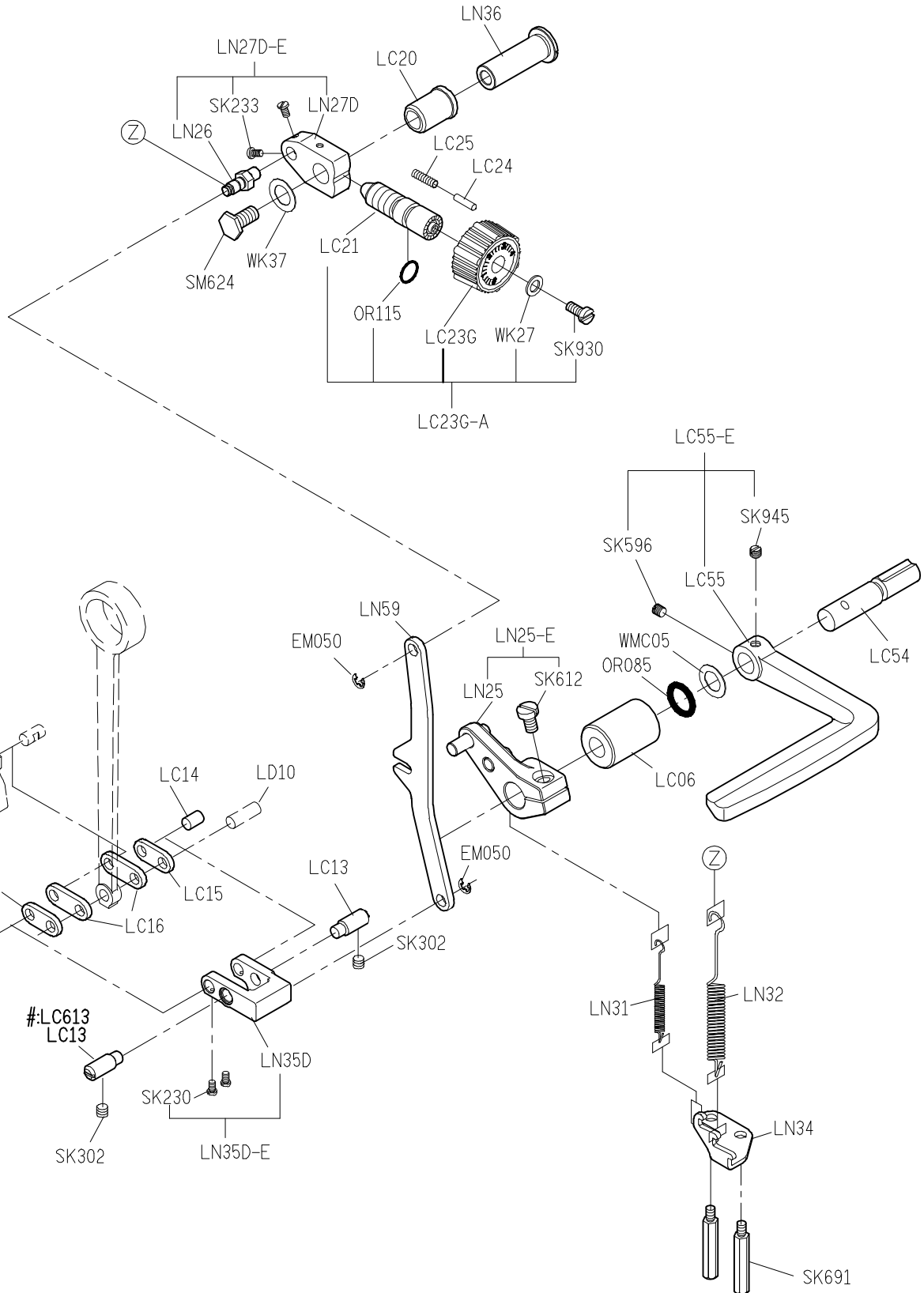
A

B

C

D

E



1

2

3

4

5

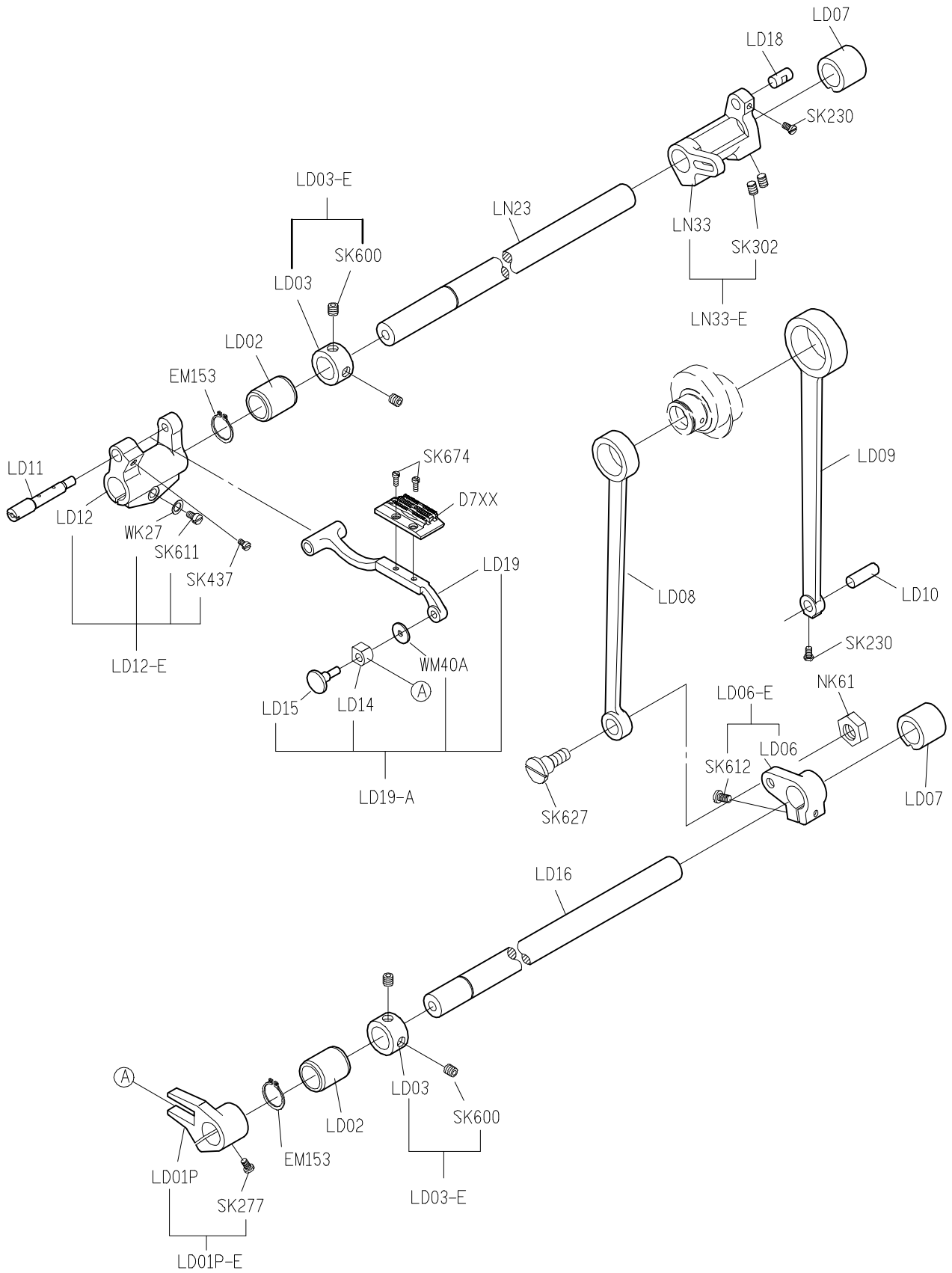
A

B

C

D

E



1

2

3

4

5

SIRUBA

PARTS LIST

Series

L918-NM1/NH1

Parts Group

LE

Subclass / Remark

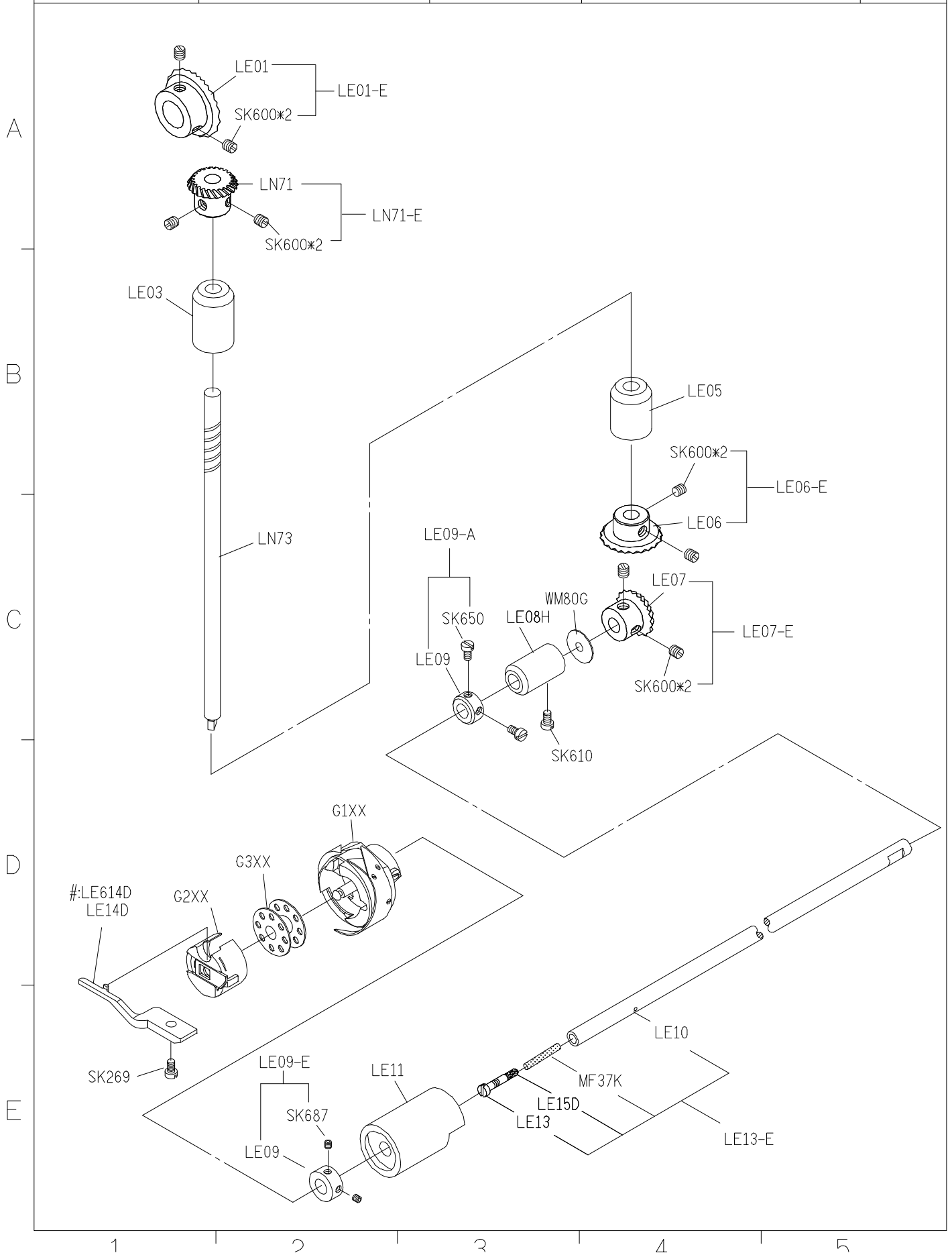
#:Use for NH1

Page

1/1

Date

2015/07/28



| SIRUBA PARTS LIST | Series | Parts Group | Subclass / Remark | Page |
|----------------------|--------------|-------------|-------------------|------------|
| | L918-NM1/NH1 | LG | #:Use for NH1 | 1/1 |
| | | | | Date |
| | | | | 2012/11/01 |

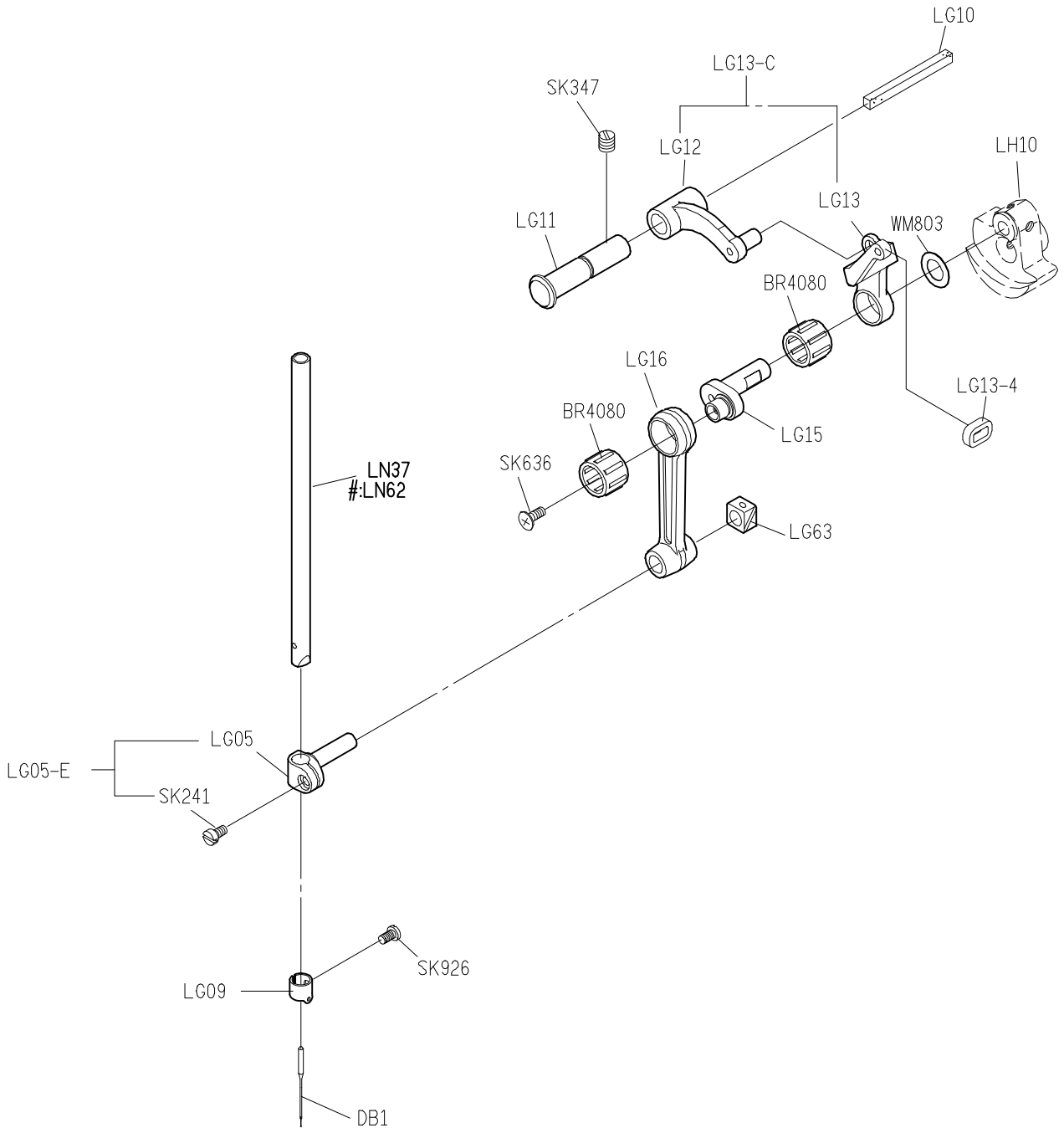
A

B

C

D

E



1

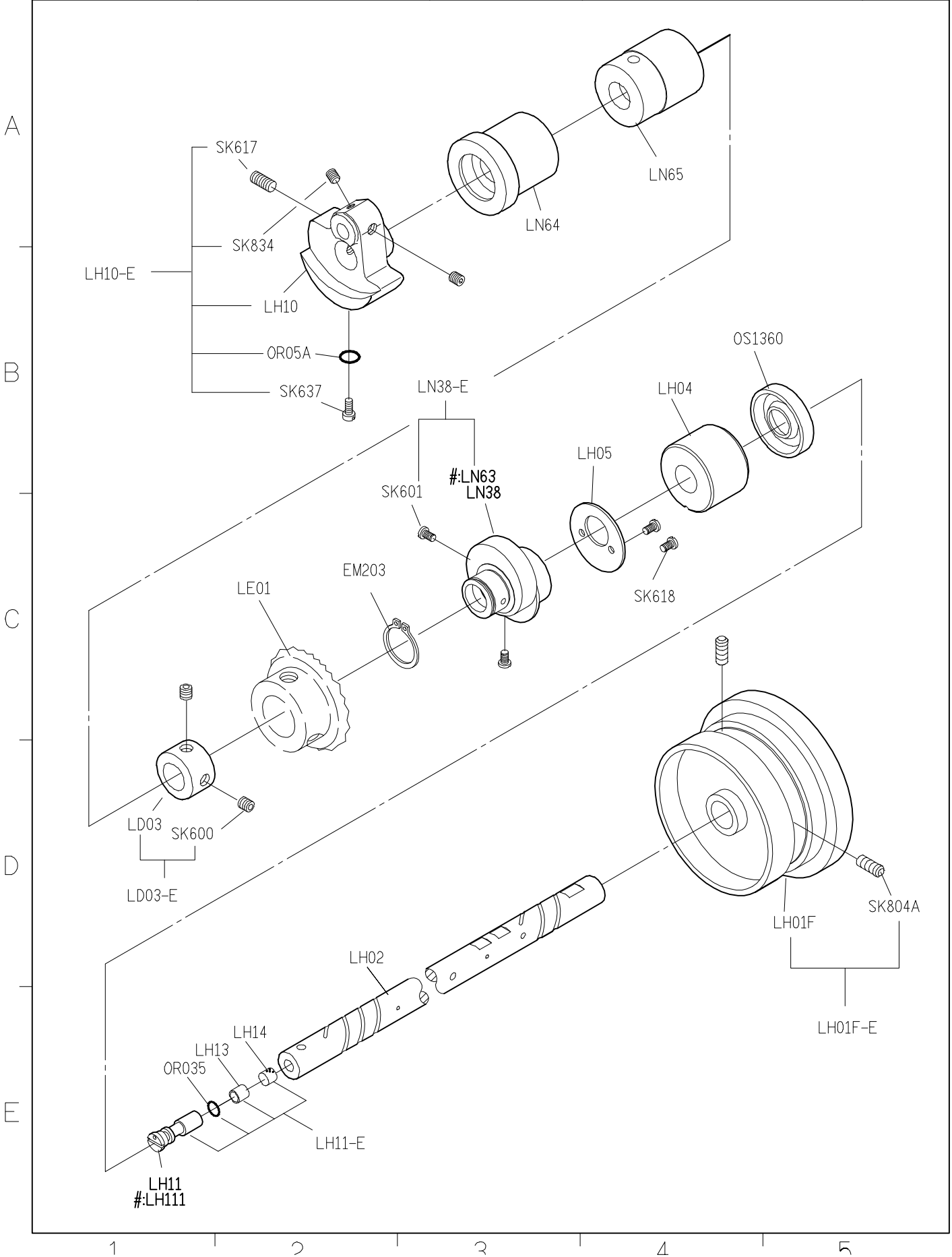
2

3

4

5

| SIRUBA PARTS LIST | Series | Parts Group | Subclass / Remark | Page |
|----------------------|--------------|-------------|-------------------|------------|
| | L918-NM1/NH1 | LH | #:Use for NH1 | 1/1 |
| | | | | Date |
| | | | | 2012/11/01 |



SIRUBA

PARTS LIST

Series

L918-NM1/NH1

Parts Group

LL

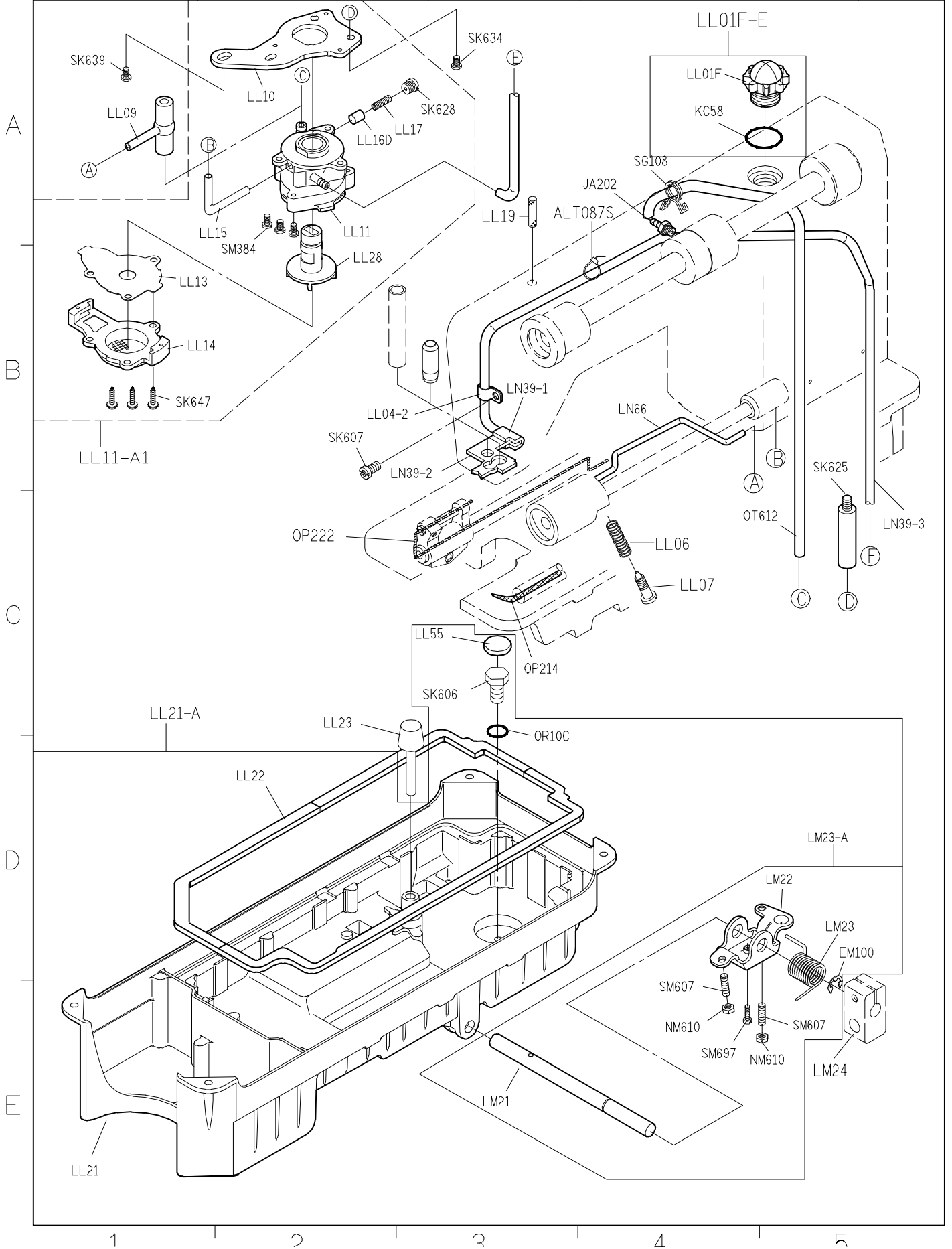
Subclass / Remark

Page

1/1

Date

2015/03/24

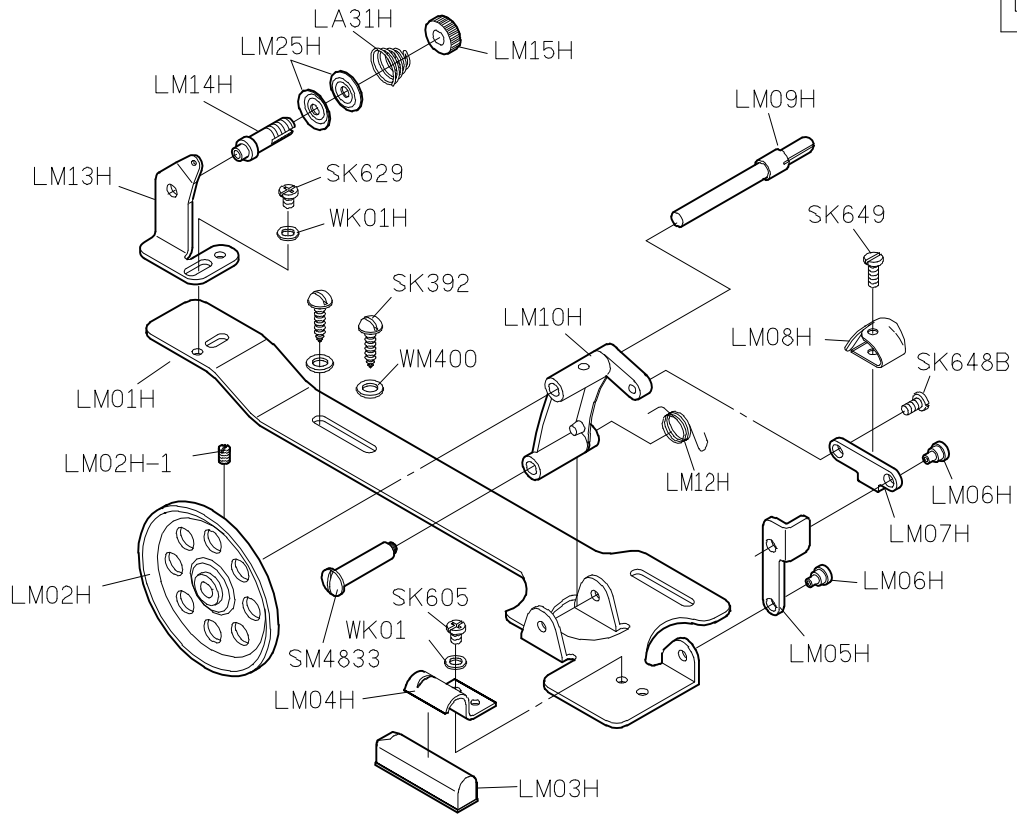


| | | | | |
|--|---------------|--------------------|--------------------------|-------------|
| SIRUBA PARTS LIST | Series | Parts Group | Subclass / Remark | Page |
| | L918-NM1/NH1 | LM | | 1/1 |
| | | | | Date |
| | | | | 2012/11/01 |

LM01H-A

A

B

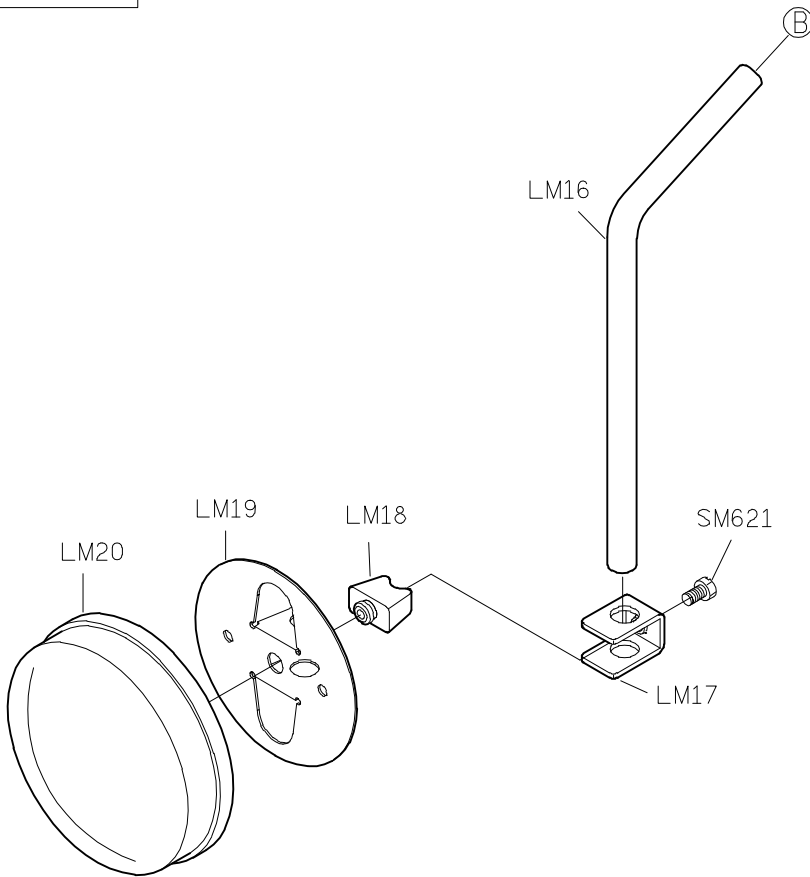


C

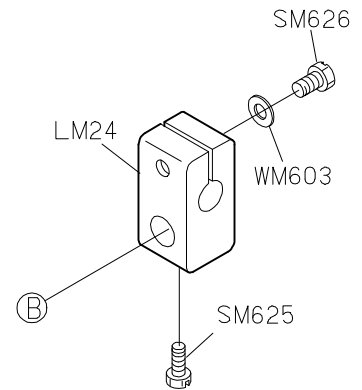
LM20-A

D

E



LM24-E



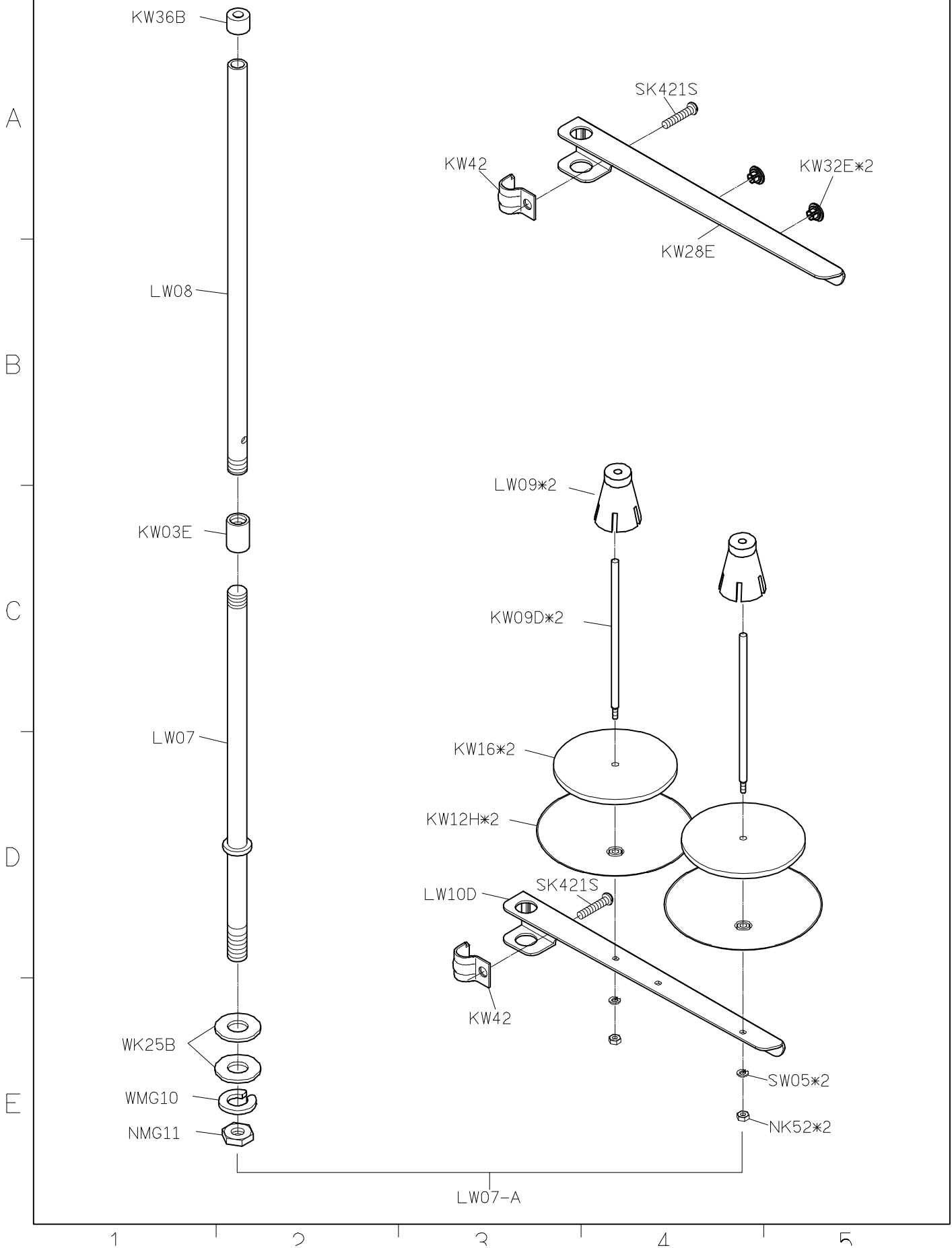
1

2


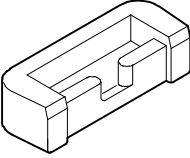
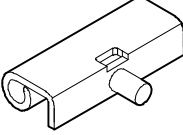

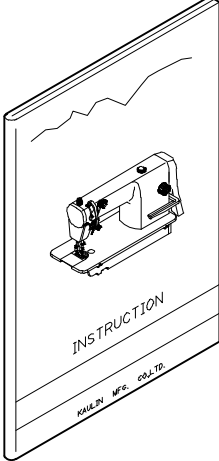
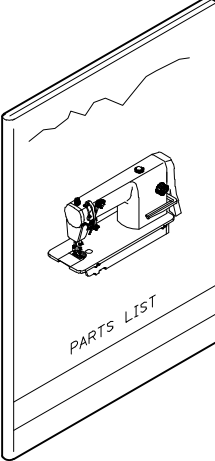
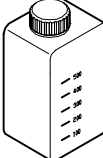
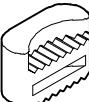


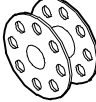

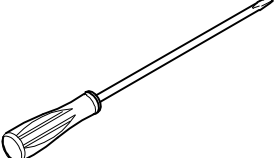
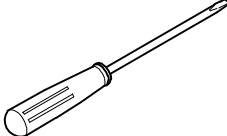
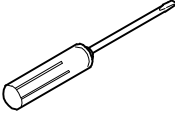

3

4

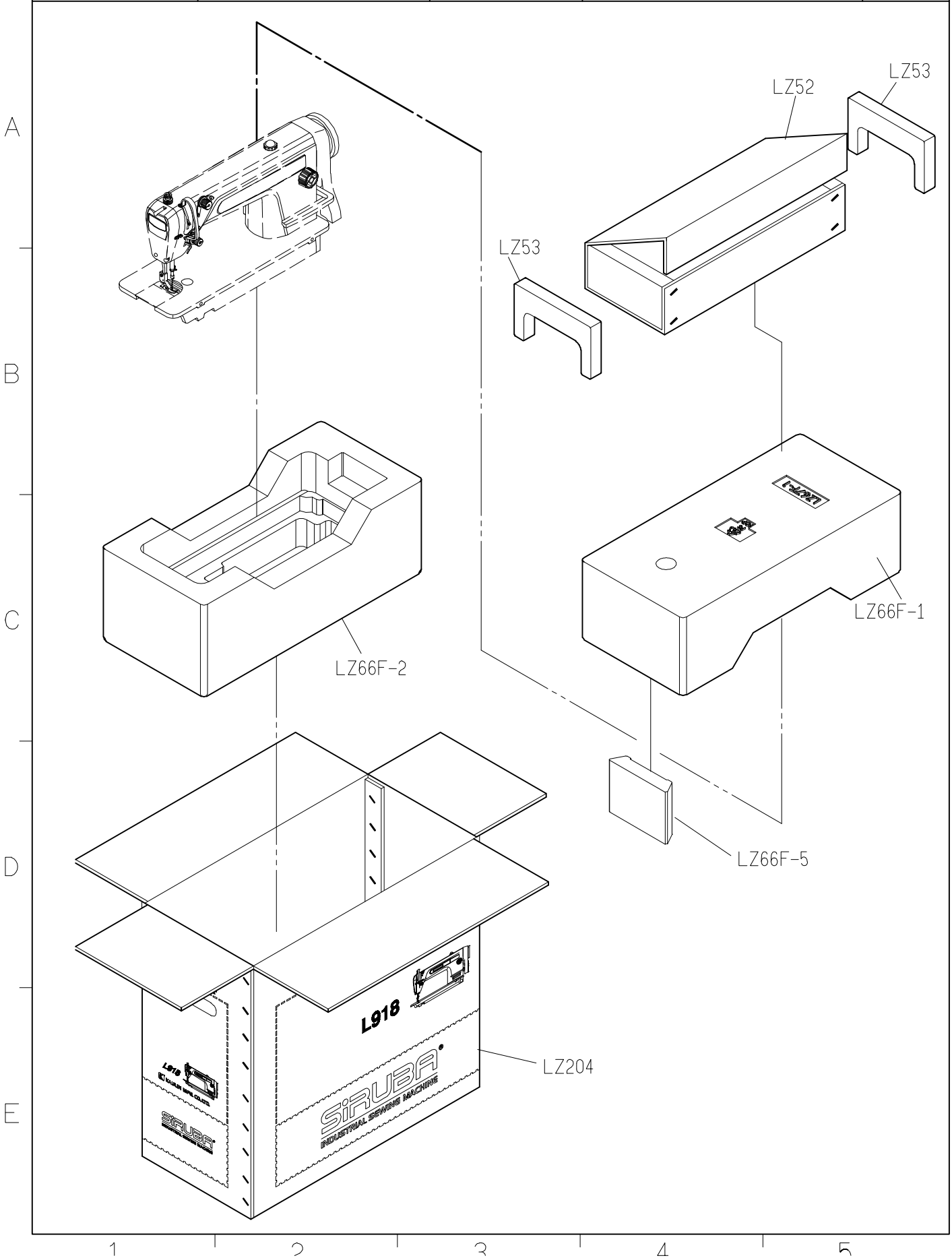
5



| | | | | |
|------------------------------------|--------------|-------------|-------------------|------------|
| SIRUBA PARTS LIST | Series | Parts Group | Subclass / Remark | Page |
| | L918-NM1/NH1 | LY | | 1/1 |
| | | | | Date |
| | | | | 2012/11/01 |

| | | | | |
|---|---|---|---|---|
| A | LY02  | YM04*2  | LY05*2  | YM102*2  |
| B | LY230  | LY232  | LY37-A  | YM103*2  |
| C | | | | |
| D | 針*2  | LY38  | G3XX  | KZ03*1  |
| E | LY33  | LY34  | LY35  | KY201  |
| | 1 | 2 | 3 | 4 |
| | | | | 5 |

| SIRUBA PARTS LIST | Series | Parts Group | Subclass / Remark | Page |
|------------------------------------|---------------------|-------------|-------------------|------------|
| | L918-NM1/NH1 | LZ | | 1/1 |
| | | | | Date |
| | | | | 2012/11/01 |



| SIRUBA TABLE CUT - OUT | Series | Item Code | Subclass / Remark | Mounting |
|------------------------------|--|-----------|-------------------|-----------------|
| | L818D/L917 L918/L918U L819/L819U | L918-T1 | | Fully-submerged |
| | | | | Date |
| | | | | 2013/01/01 |

