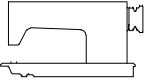
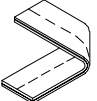

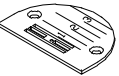
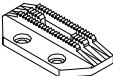
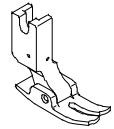
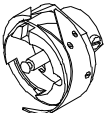
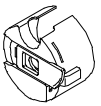


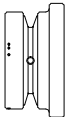
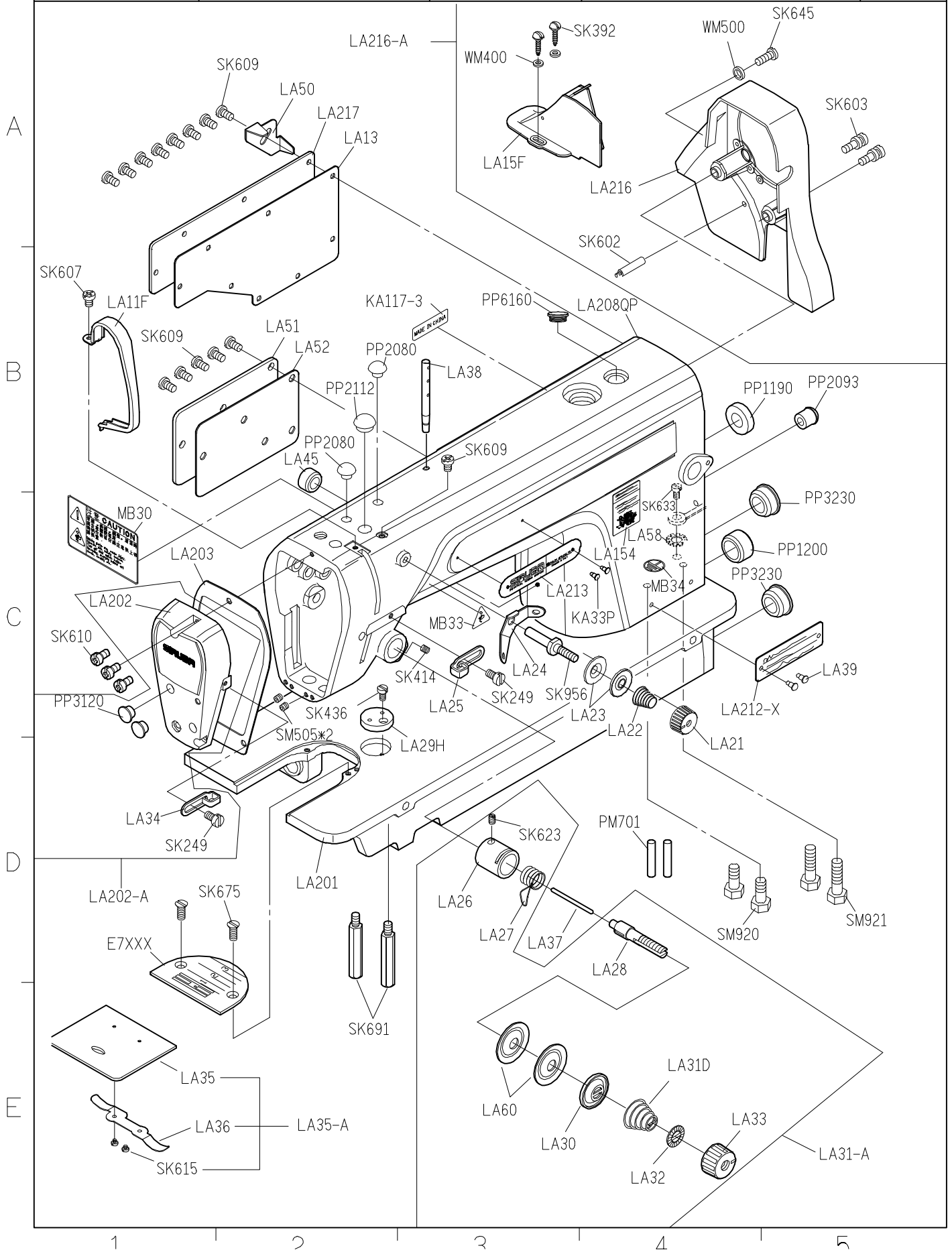


SIRUBA GAGE PARTS LIST	Series	Remark	Page	Date
	L918U	DM1	1 / 1	2012/11/01

L918U-DM1規格件表 / CONVERSION CHART

										
MODEL	SUB-CLASS	OPERATING PANEL	NEEDLE PLATE	FEED DOG	PRESSER FOOT	HOOK ASM	BOBBIN CASE ASM	BOBBIN	NEEDLE	HAND WHEEL
機 型	規 格	操作盒	針 板	送 具	押 具	梭 頭	梭 殼	梭 子	針 號	皮帶輪
L918-DM1-10 L918-DM1-13	半無油式 中厚布料	L-900	E704	D701	P701	G121	G202	G303	DBX1#14	LH01-A1
L918-DM1A-10 L918-DM1A-13			E704D	D702						

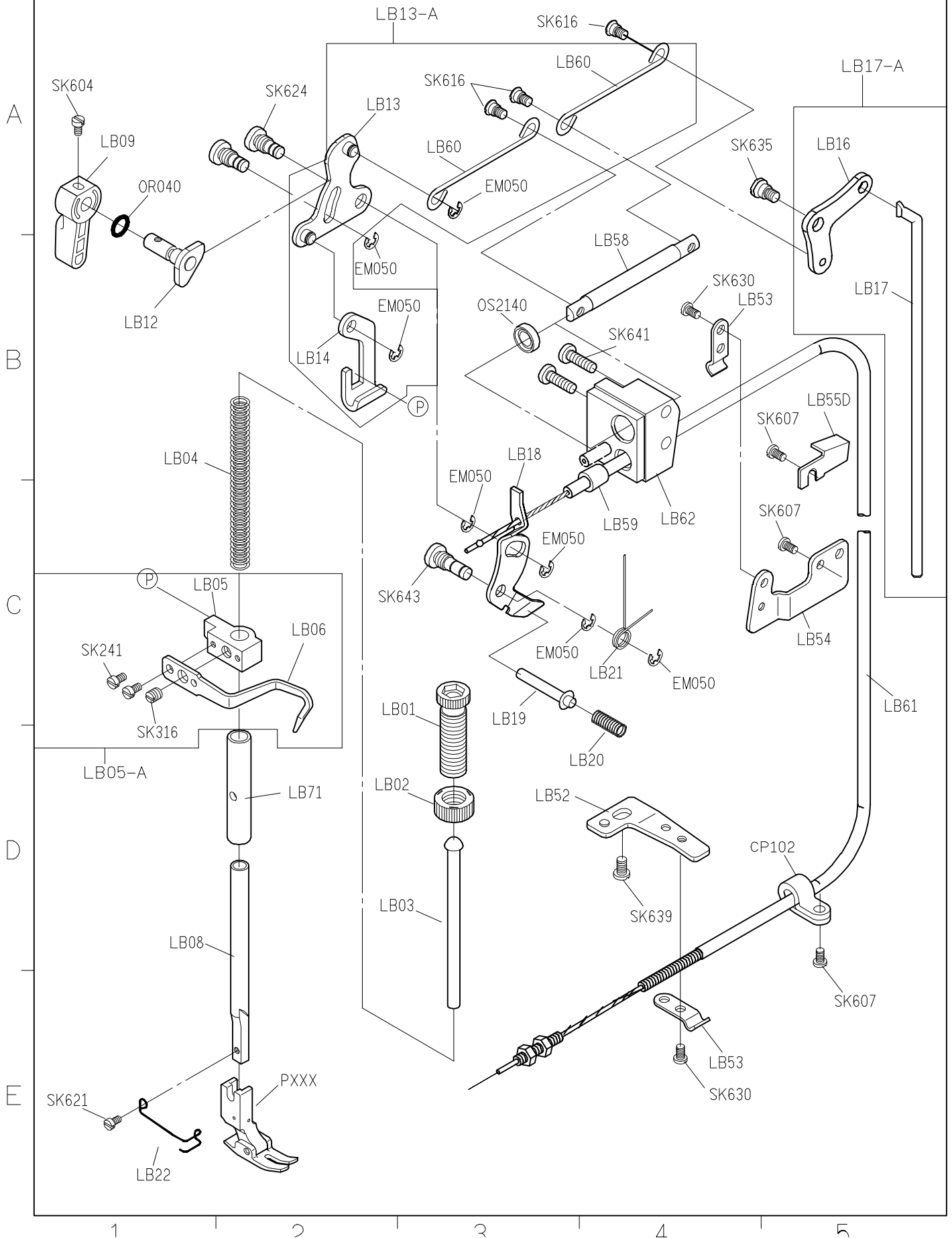


SIRUBA**PARTS LIST****Series****L918U-DM1****Parts Group****LB****Subclass / Remark****Page**

1/1

Date

2012/11/01



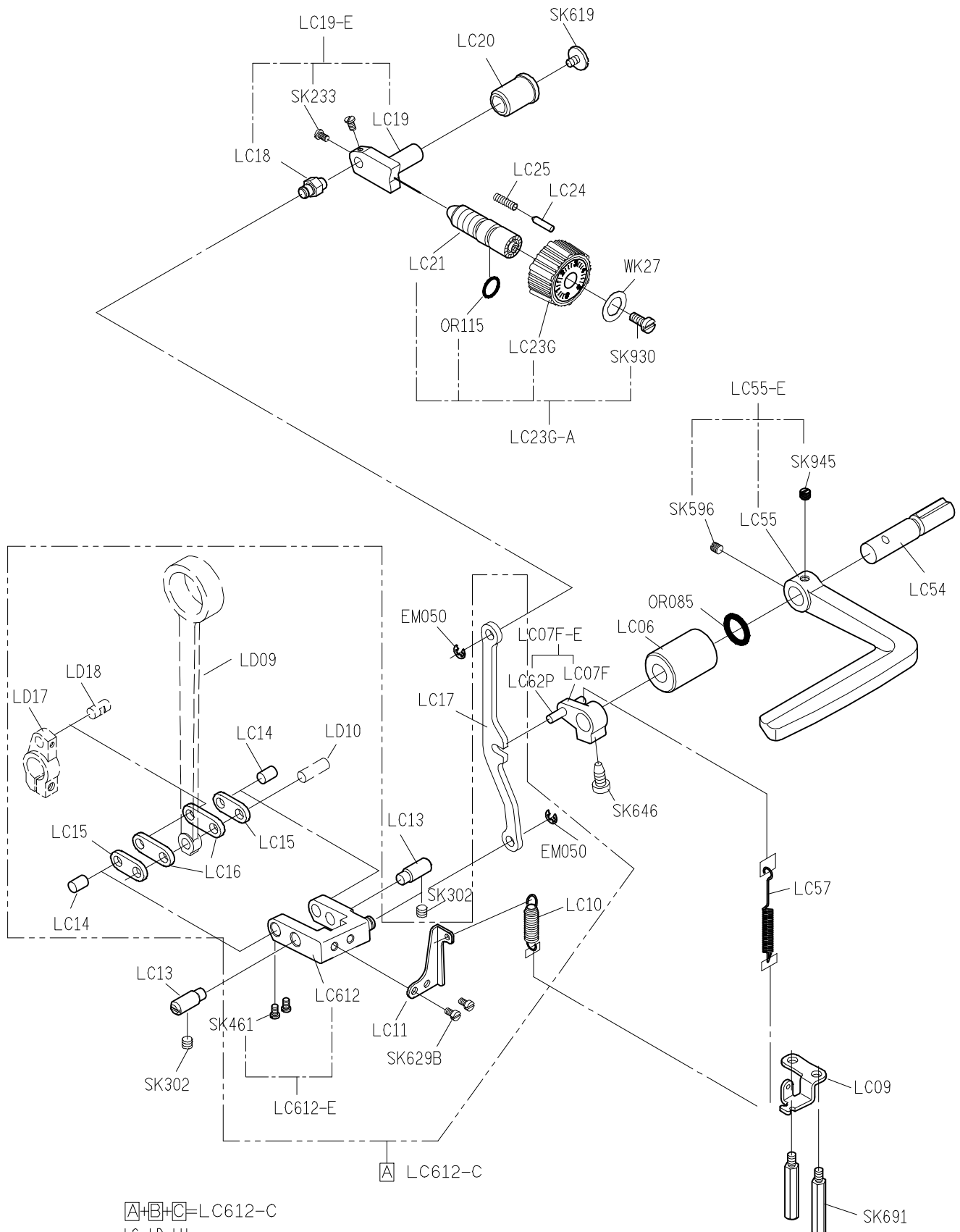
A

B

C

D

E



SIRUBA

PARTS LIST

Series

L918U-DM1

Parts Group

LD

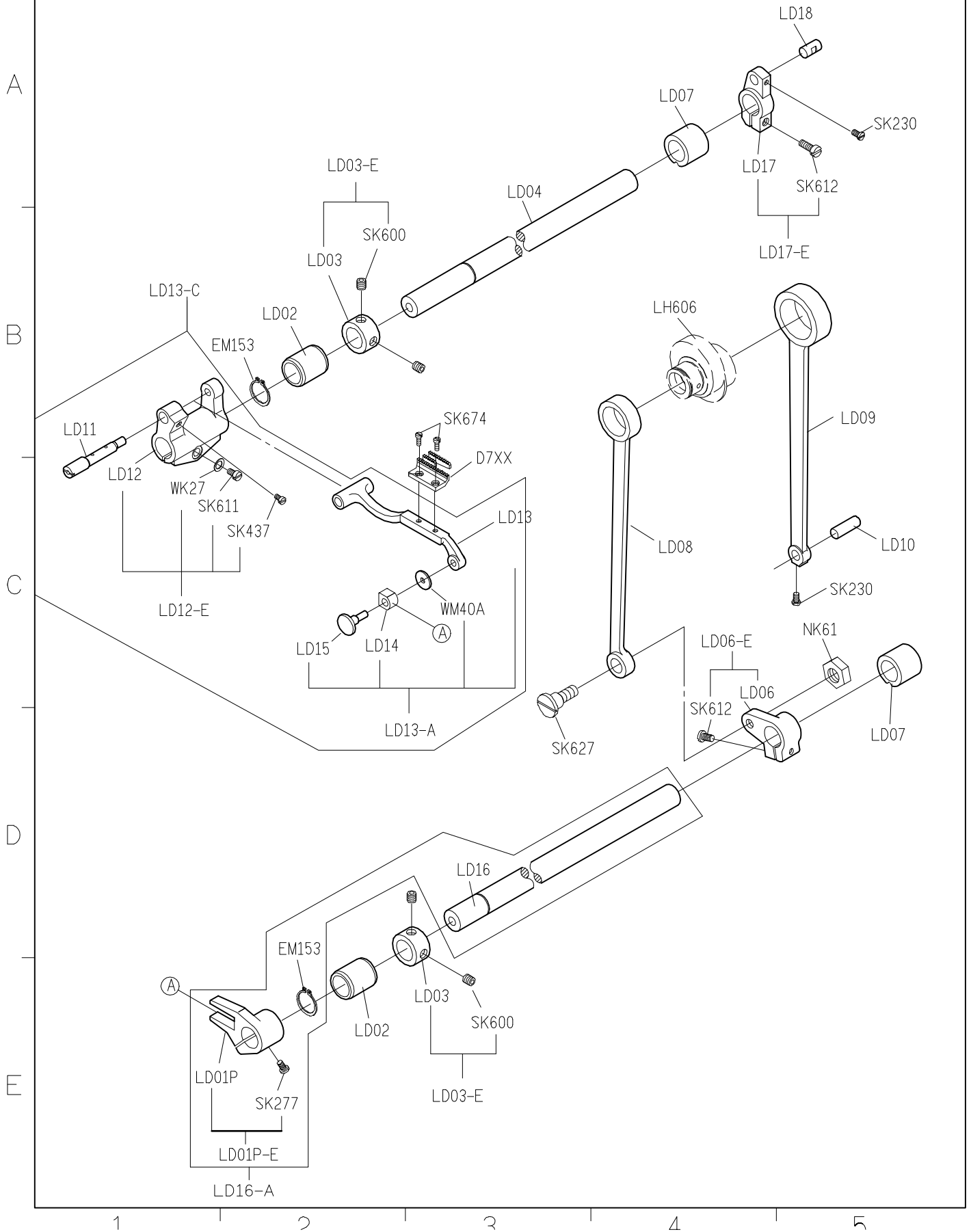
Subclass / Remark

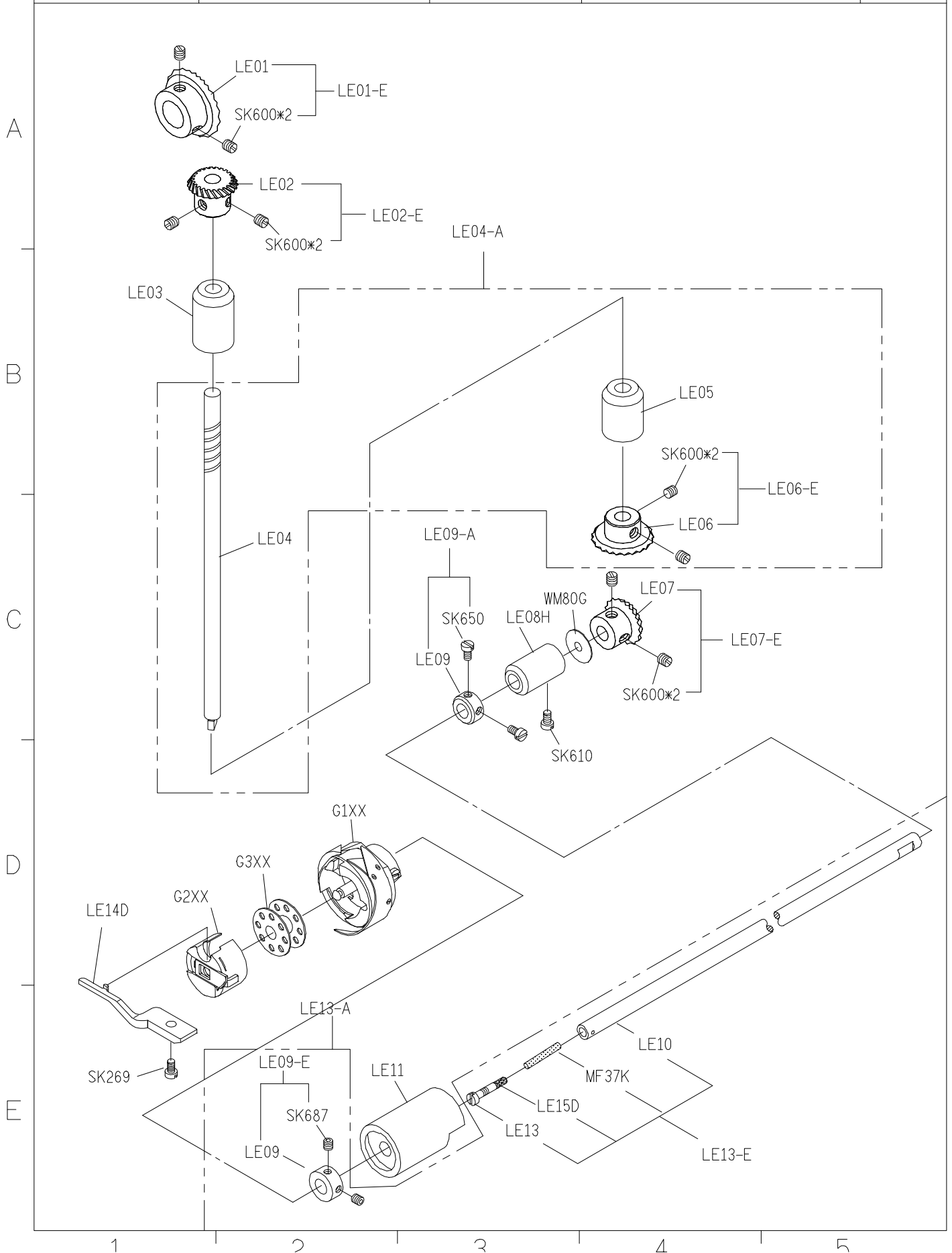
Page

1/1

Date

2012/11/01





SIRUBA PARTS LIST	Series	Parts Group	Subclass / Remark	Page
	L918U-DM1	LG		1/1
				Date
				2012/11/01

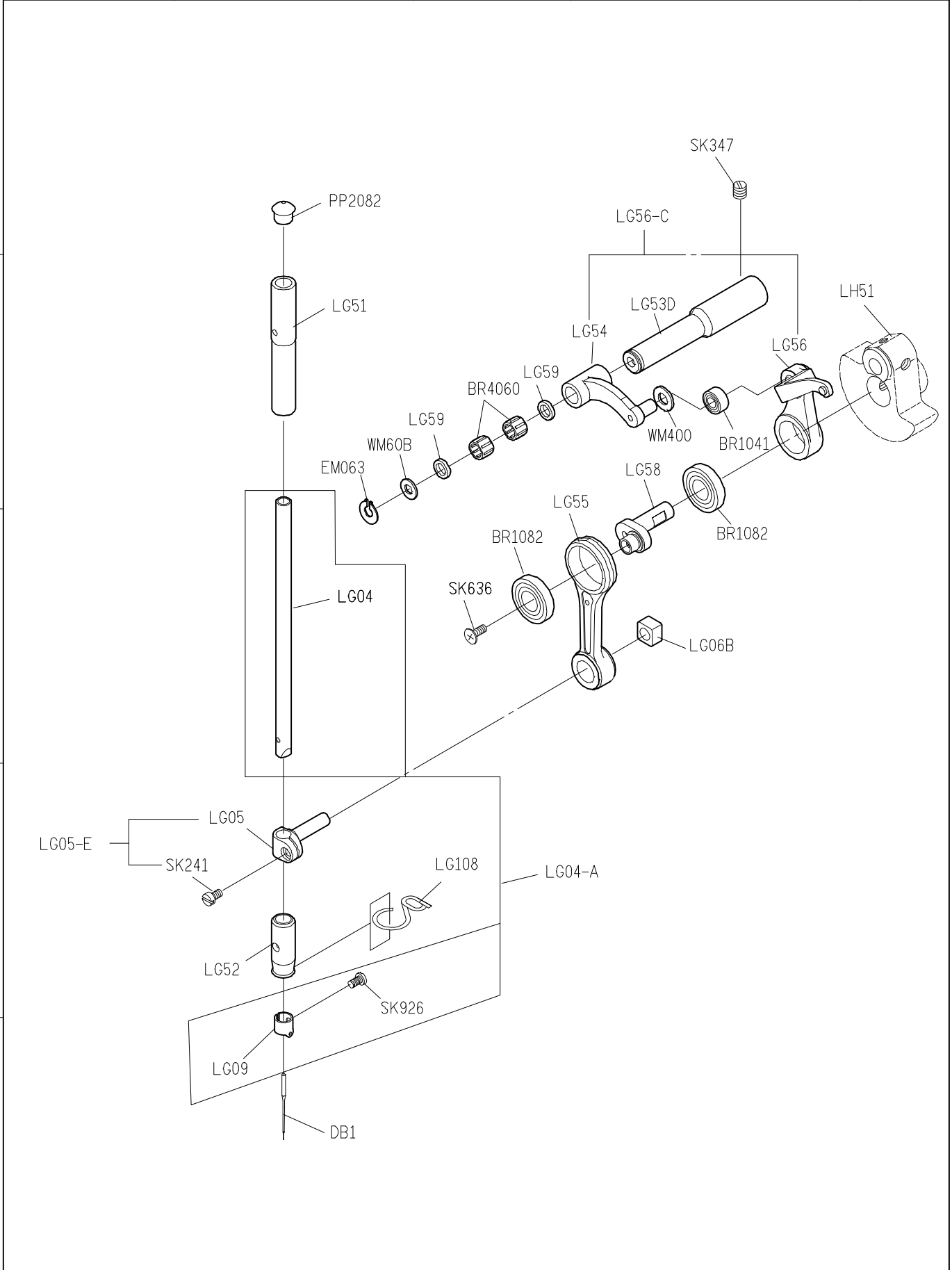
A

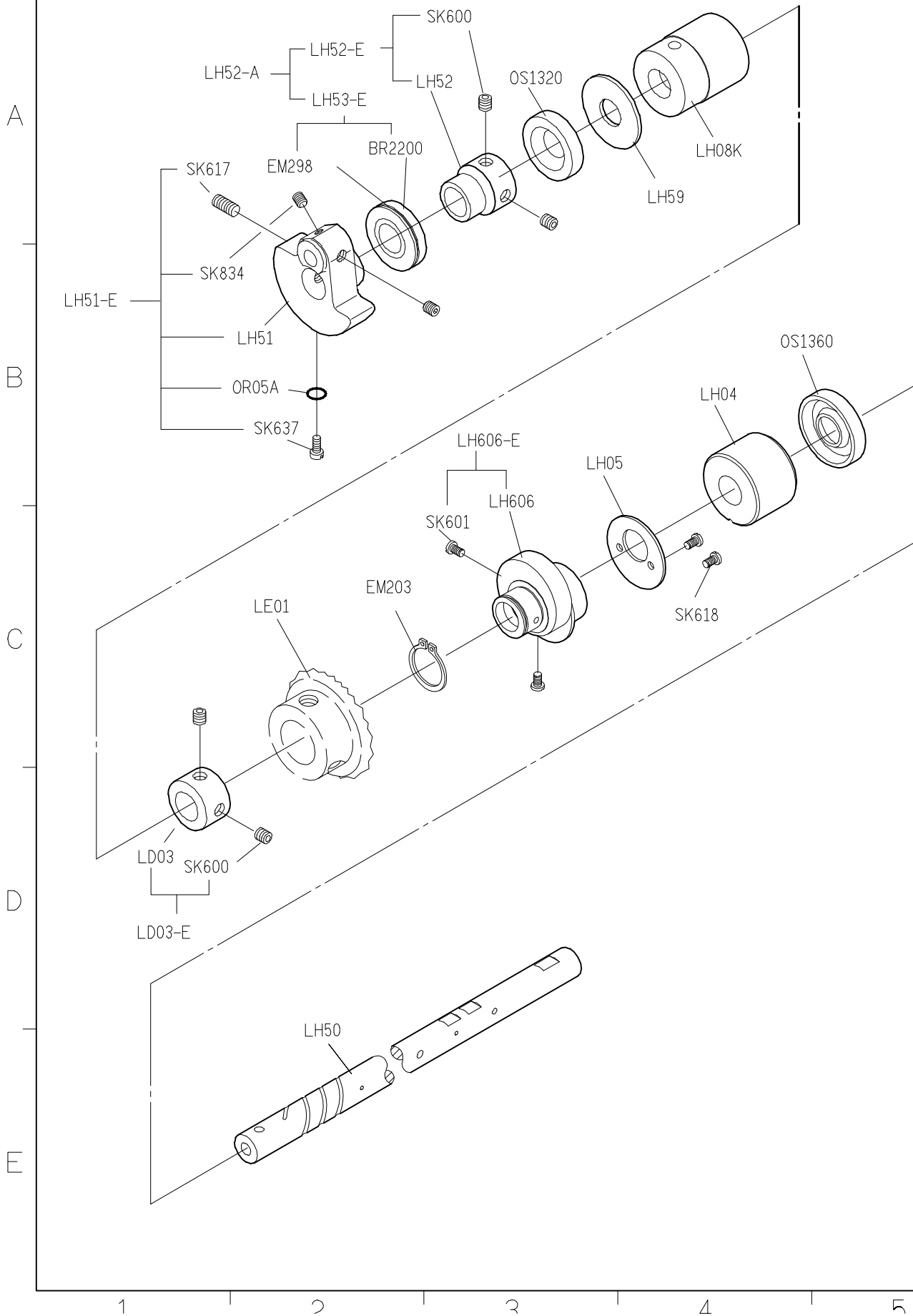
B

C

D

E

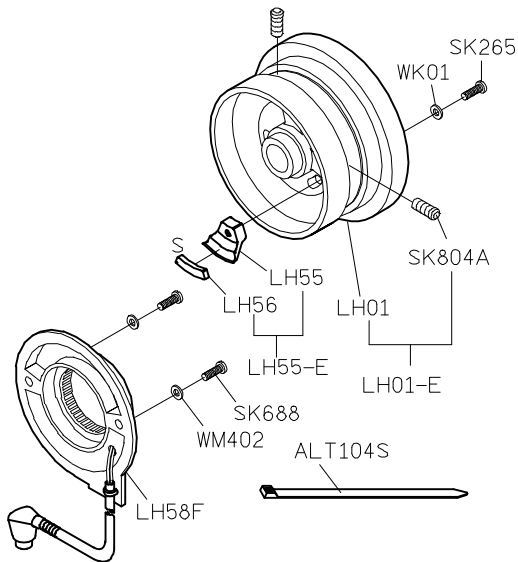




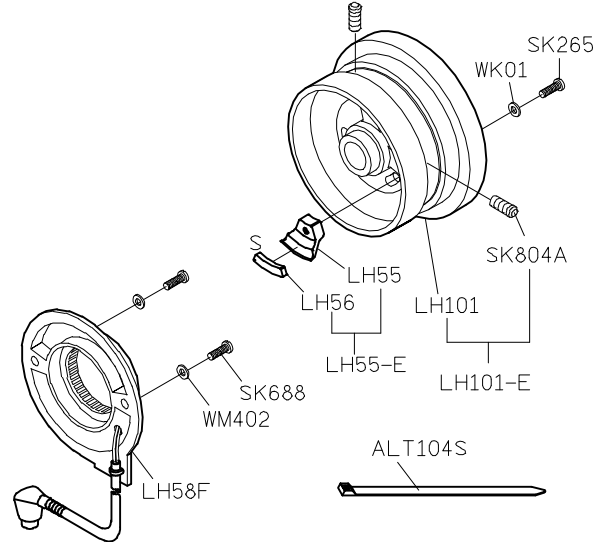
擺動式切刀

旋轉式切刀

H
廠牌馬達

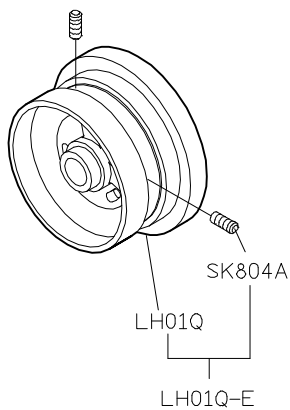


LH01-A1

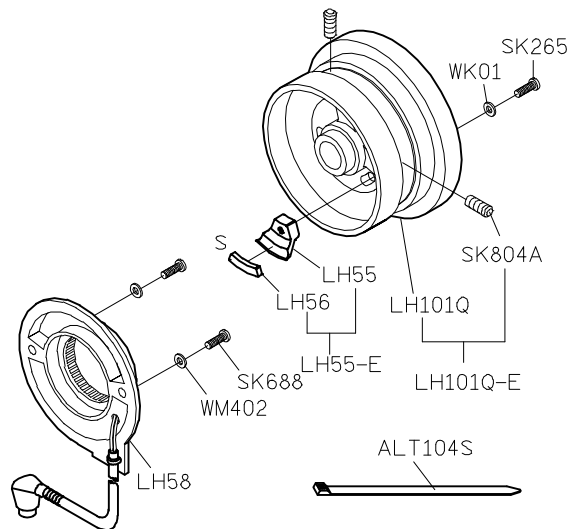


LH101-A1

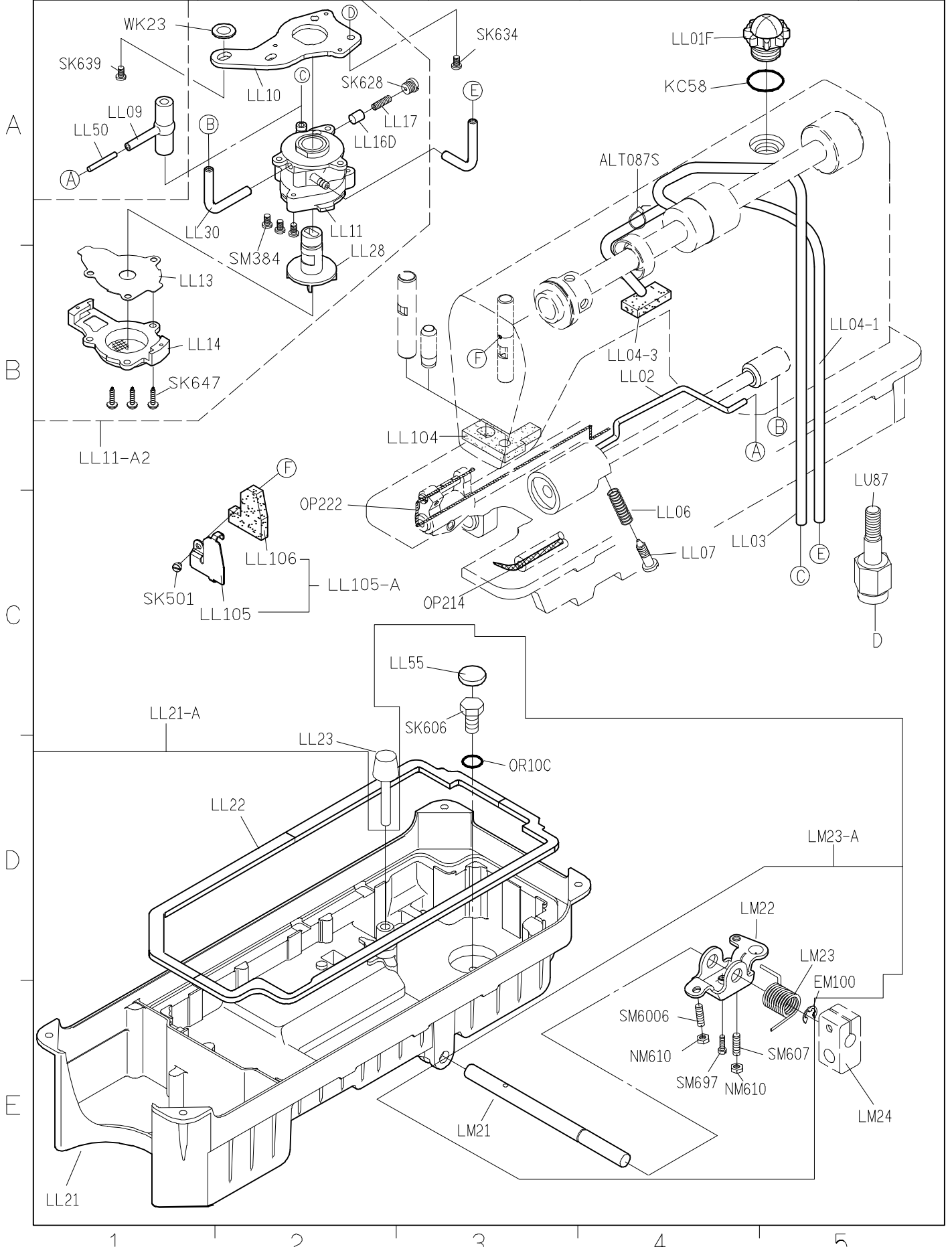
其他廠牌馬達(可加後拉輪)



LH01Q-E



LH101Q-A1



SIRUBA PARTS LIST	Series	Parts Group	Subclass / Remark	Page
	L918U-DM1	LM		1/1
				Date
				2012/11/01

LM01H-A

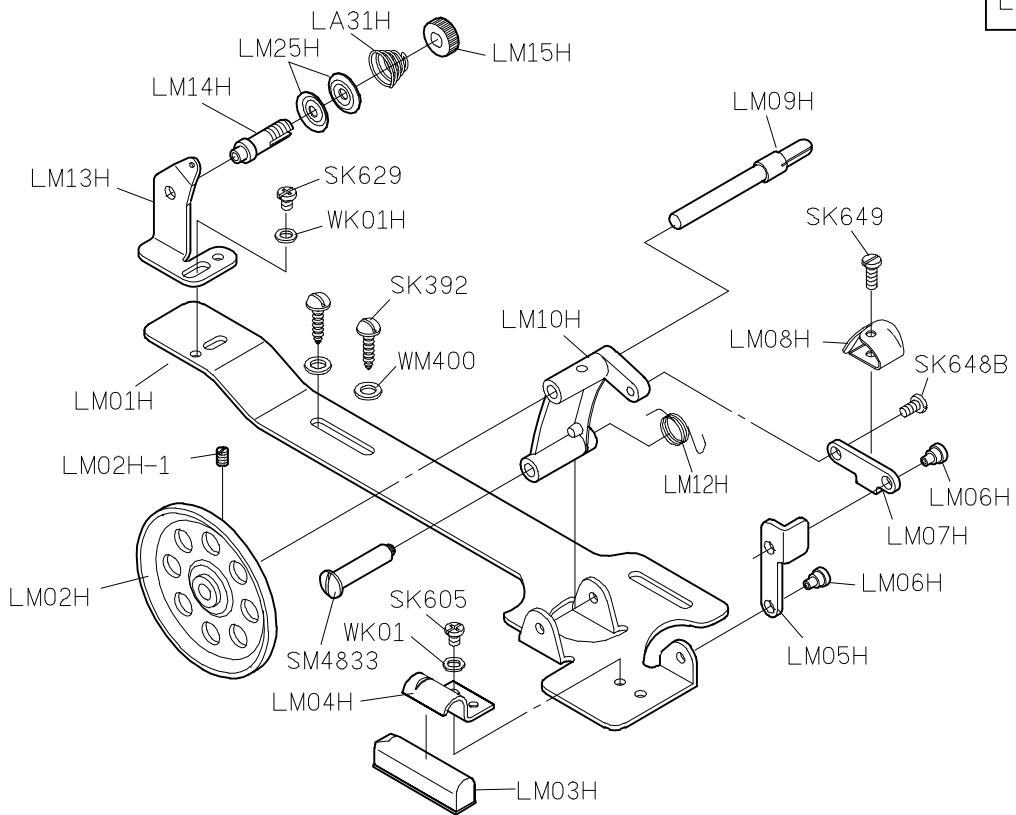
A

B

C

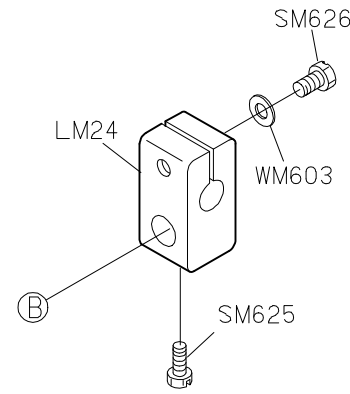
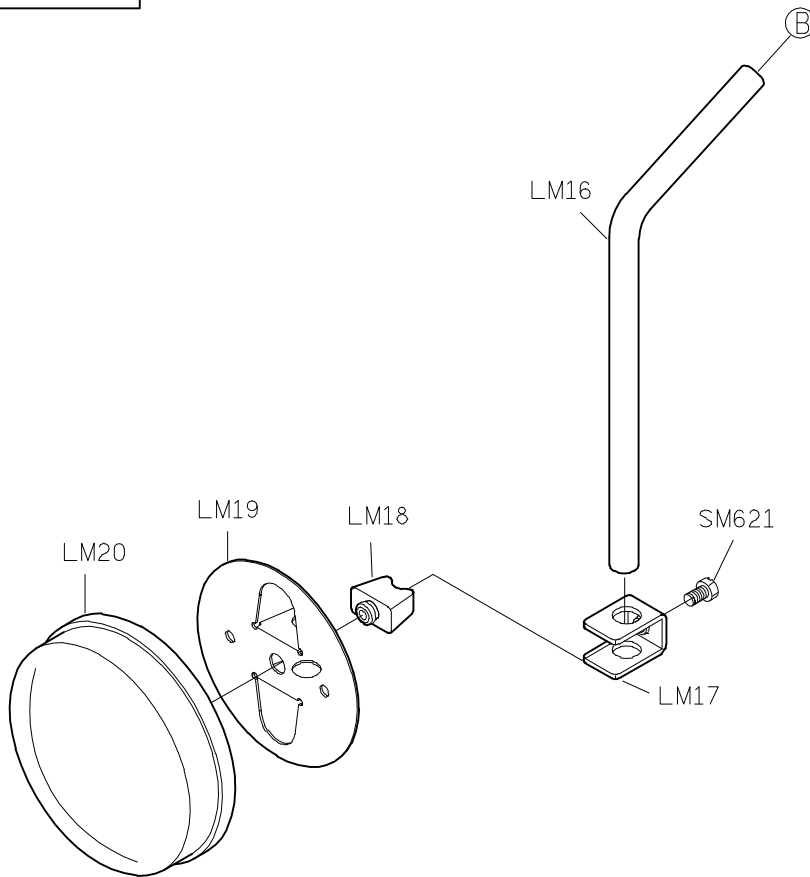
D

E



LM20-A

LM24-E



1

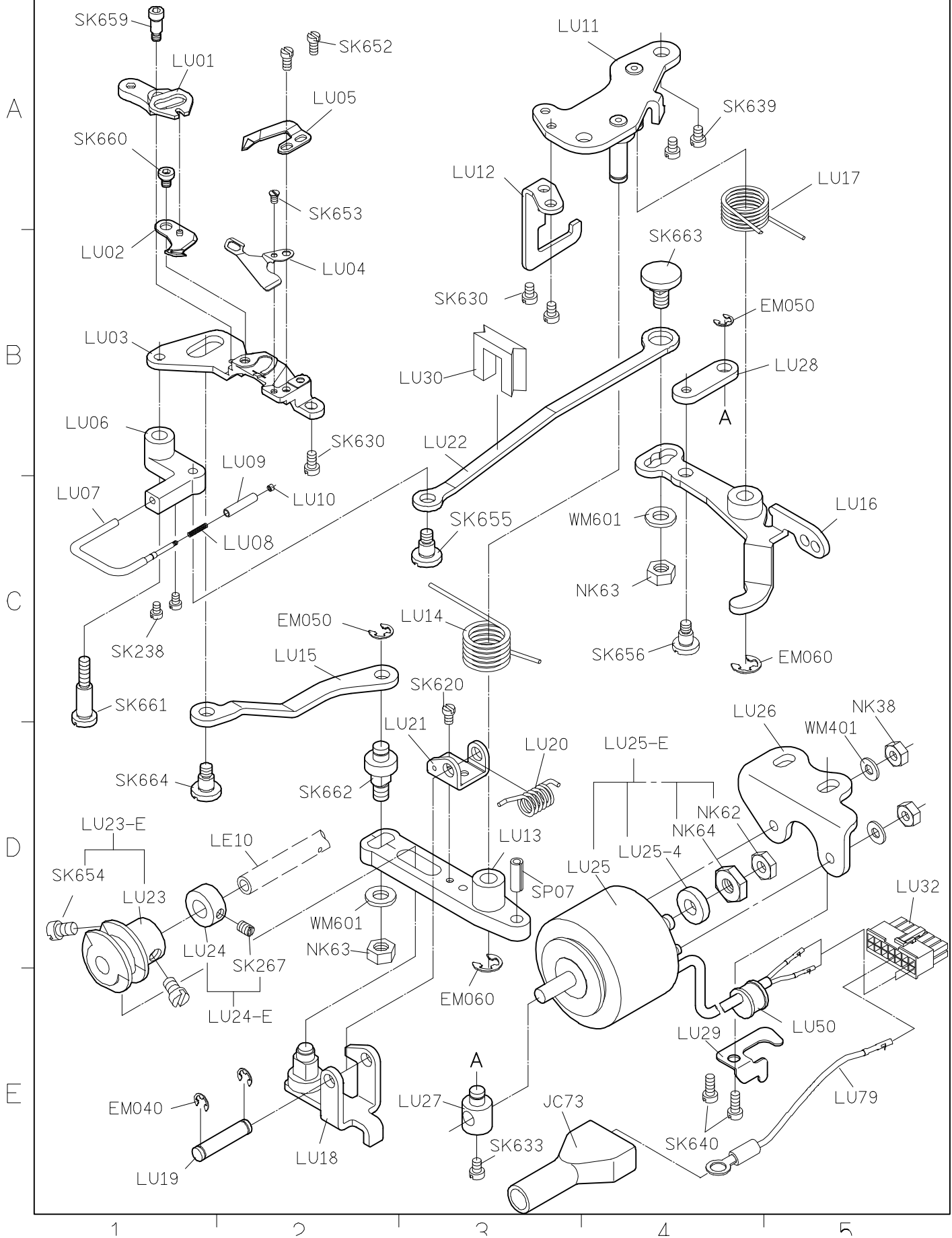
2

3

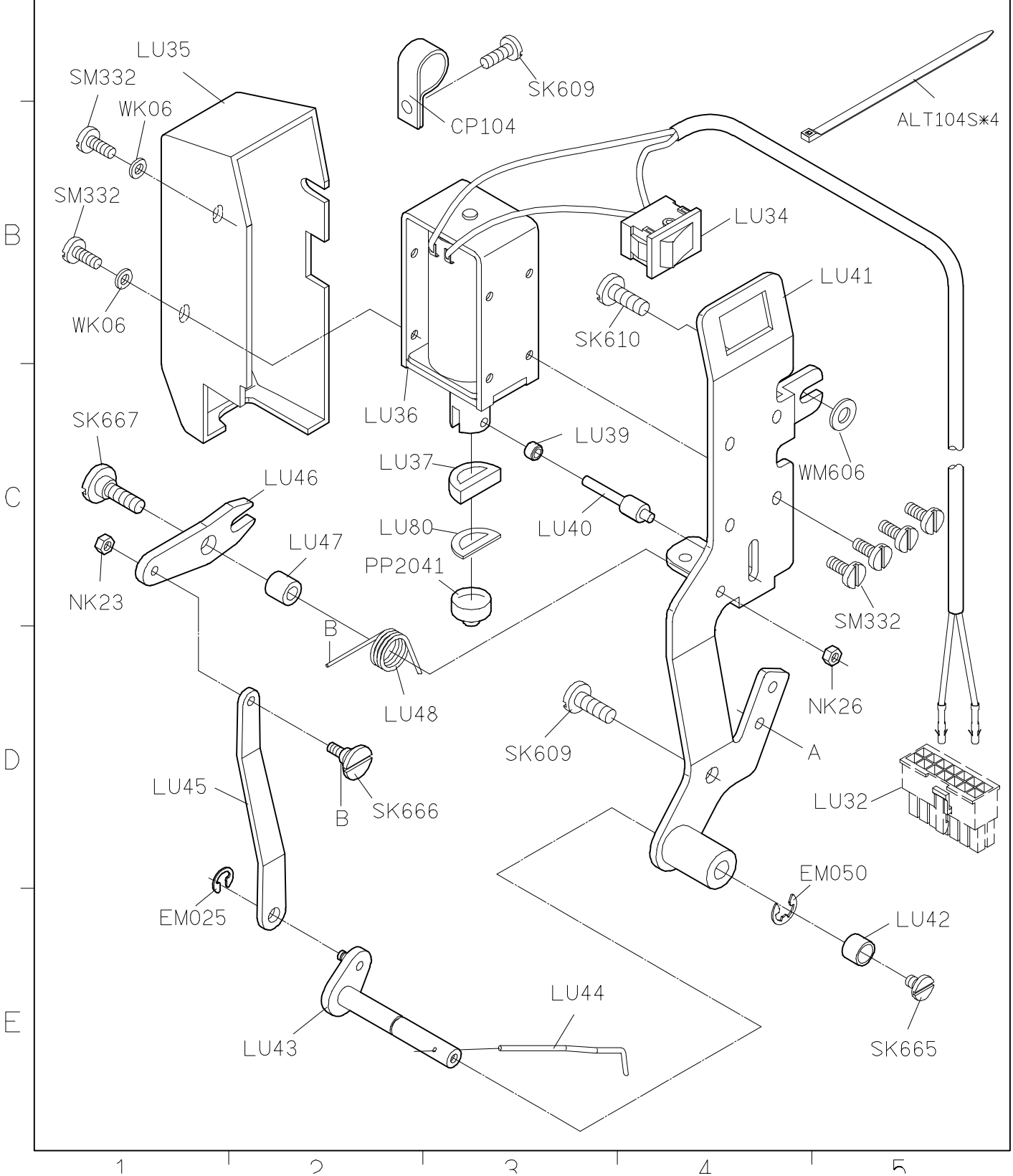
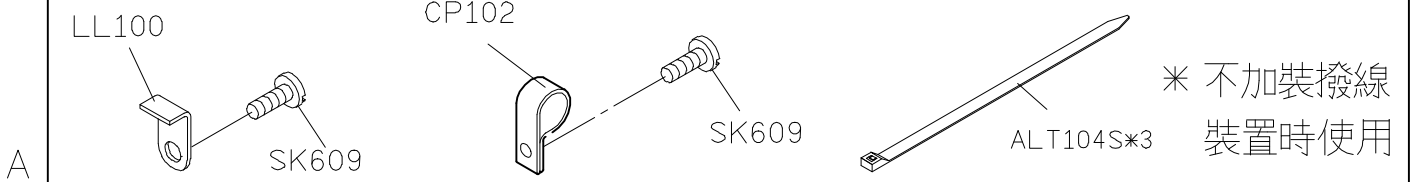
4

5

SiRUBA PARTS LIST	Series	Parts Group	Subclass / Remark	Page
	L918U-DM1	LU		1/7
				Date
				2012/11/01



SIRUBA PARTS LIST	Series	Parts Group	Subclass / Remark	Page
	L918U-DM1	LU		2/7
				Date
				2012/11/01



SIRUBA PARTS LIST	Series	Parts Group	Subclass / Remark	Page
	L918U-DM1	LU		3/7
				Date
				2015/2/5

LU51-A

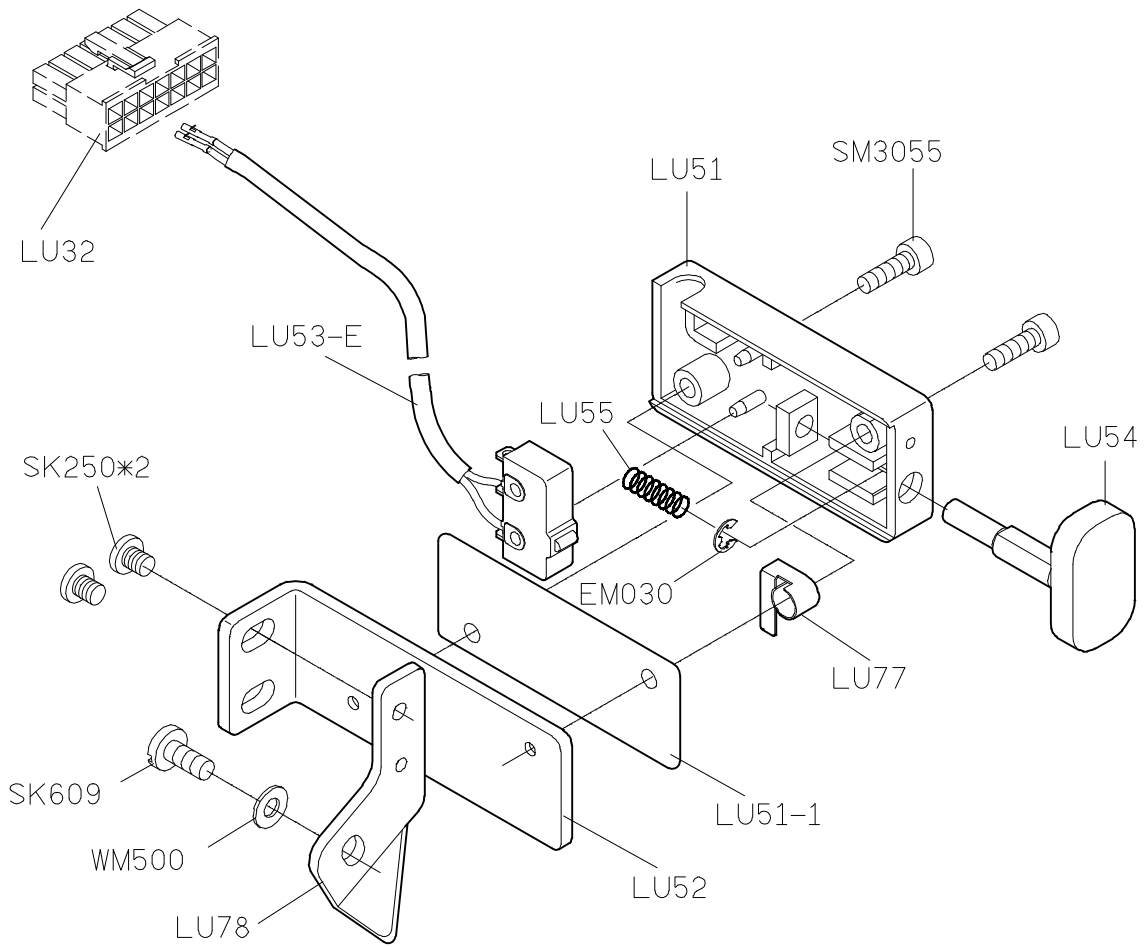
A

B

C

D

E



1

2

3

4

5

LU64F-A1

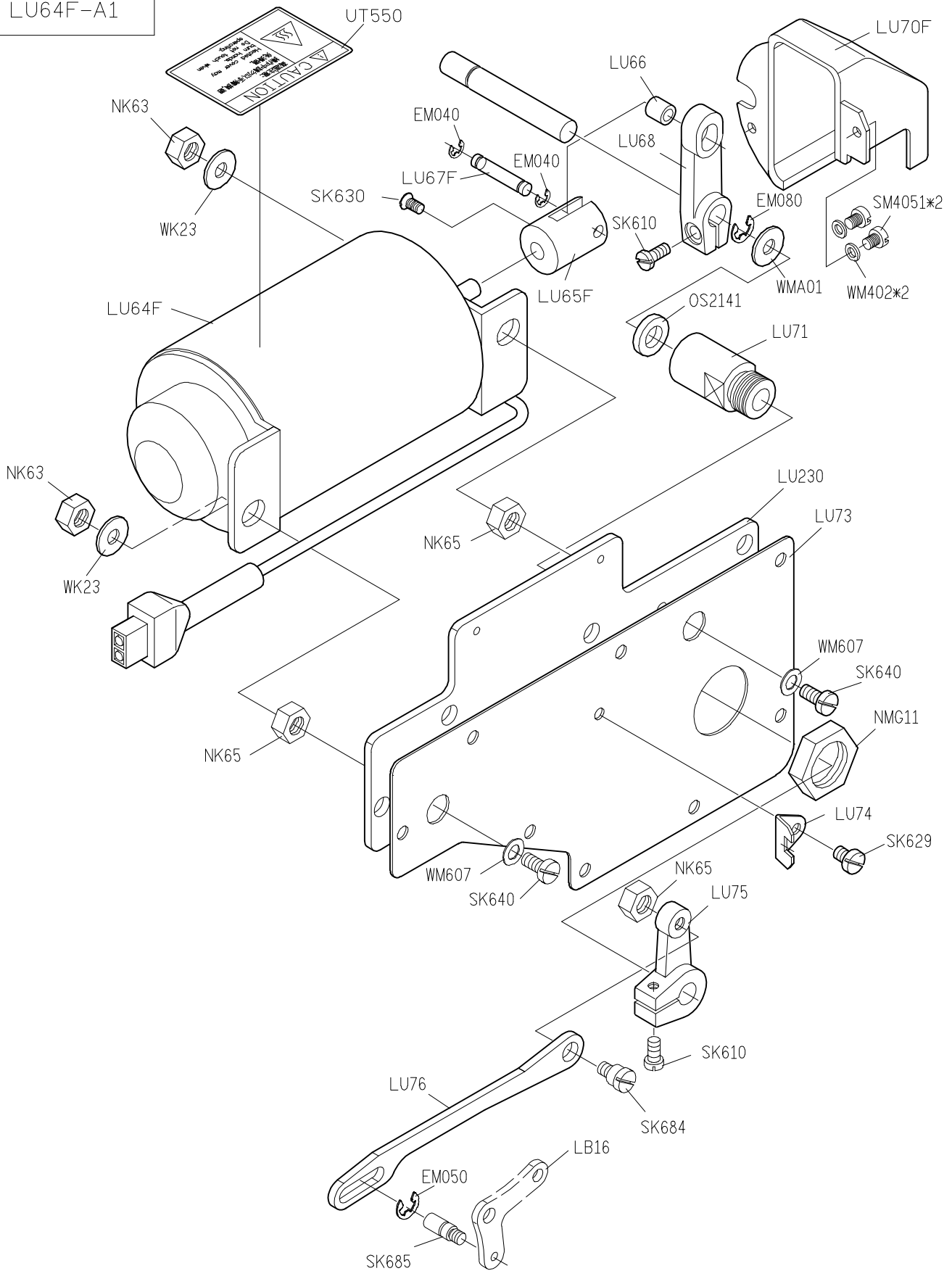
A

B

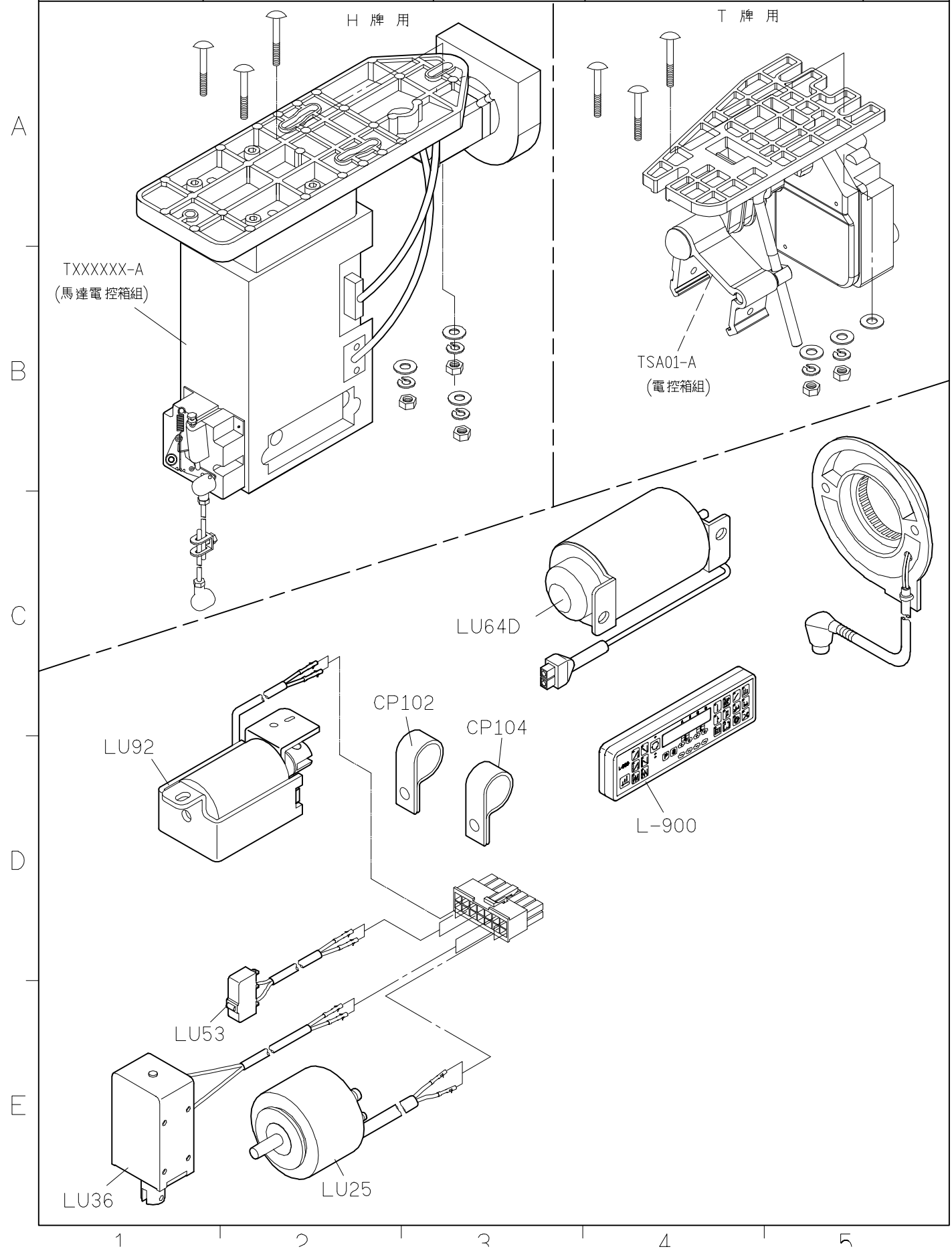
C

D

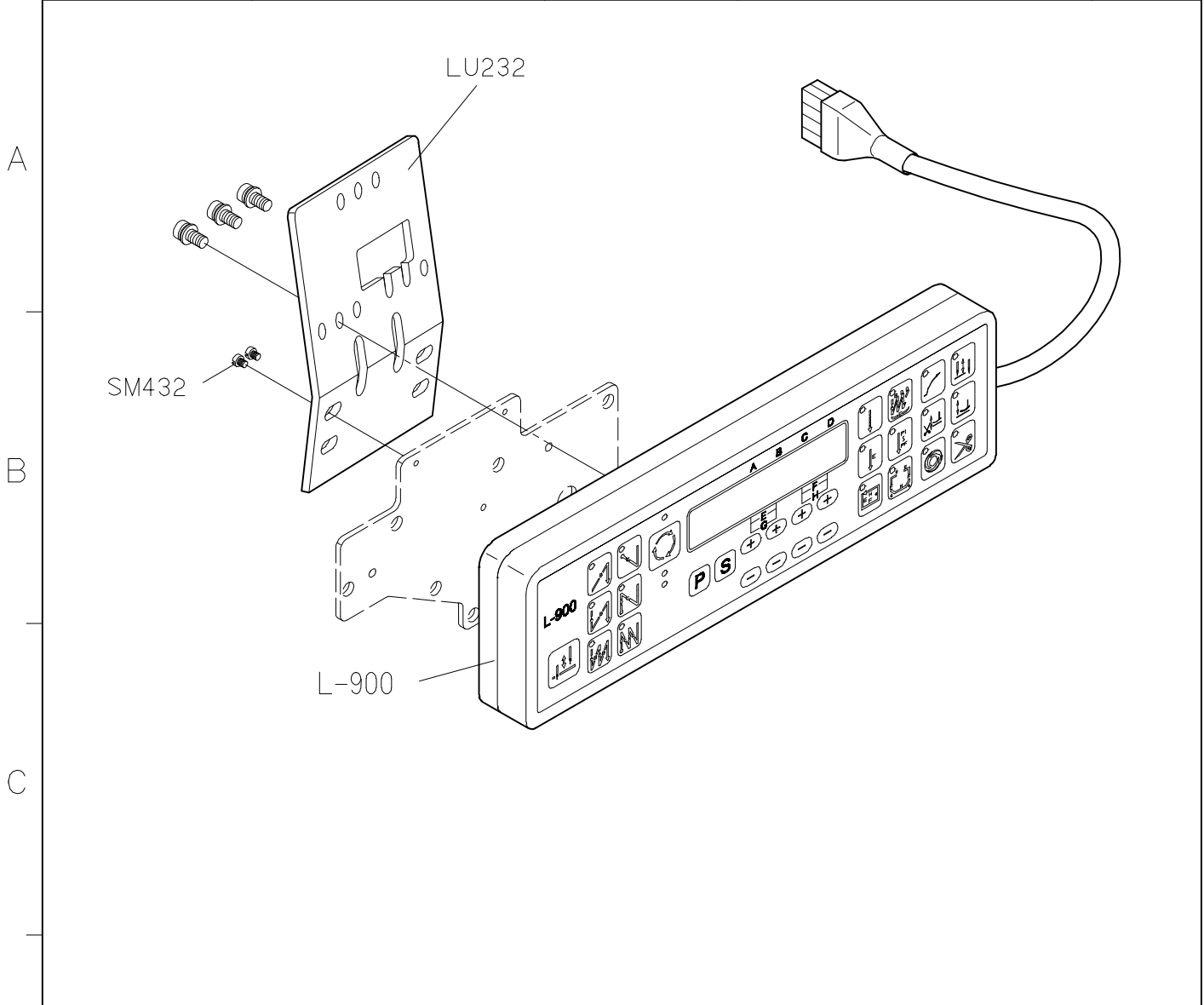
E



SIRUBA PARTS LIST	Series	Parts Group	Subclass / Remark	Page
	L918U-DM1	LU		5/7
				Date
				2012/11/01



SIRUBA PARTS LIST	Series	Parts Group	Subclass / Remark	Page
	L918U-DM1	LU		6/7
				Date
				2012/11/01



代碼 NO.	操作面板 Control Panel	代碼 NO.	自動切線 Auto THREAD Trimmer	快速倒縫 Reverse Feeding	撥線桿 Wiper	自動抬押具 Auto Lifer
1	L-900	0	√	√	-	-
		1	√	√	√	-
		2	√	√	-	√
		3	√	√	√	√

A

B

C

D

E

1

2

3

4

5

SIRUBA PARTS LIST	Series	Parts Group	Subclass / Remark	Page
	L918U-DM1	LU		7/7
				Date
				2012/12/20

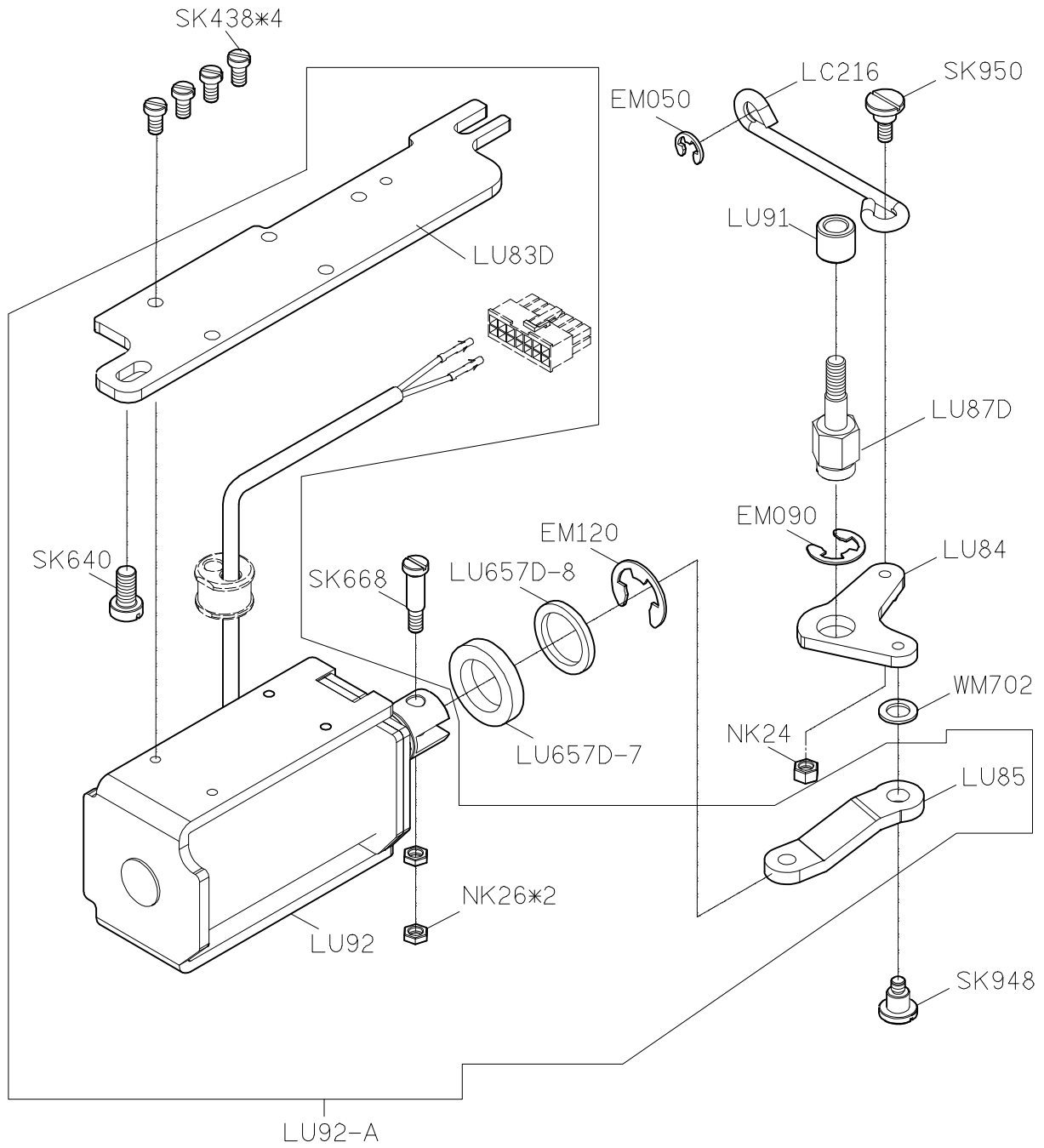
A

B

C

D

E



1

2

3

4

5

A

B

C

D

E

KW36B

LW08

KW03E

LW07

WK25B

WVG10

NMG11

SK421S

KW42

KW28E

KW32E*2

LW09*2

KW09D*2

KW16*2

KW12H*2

LW10D

SK421S

KW42

SW05*2

NK52*2

LW07-A

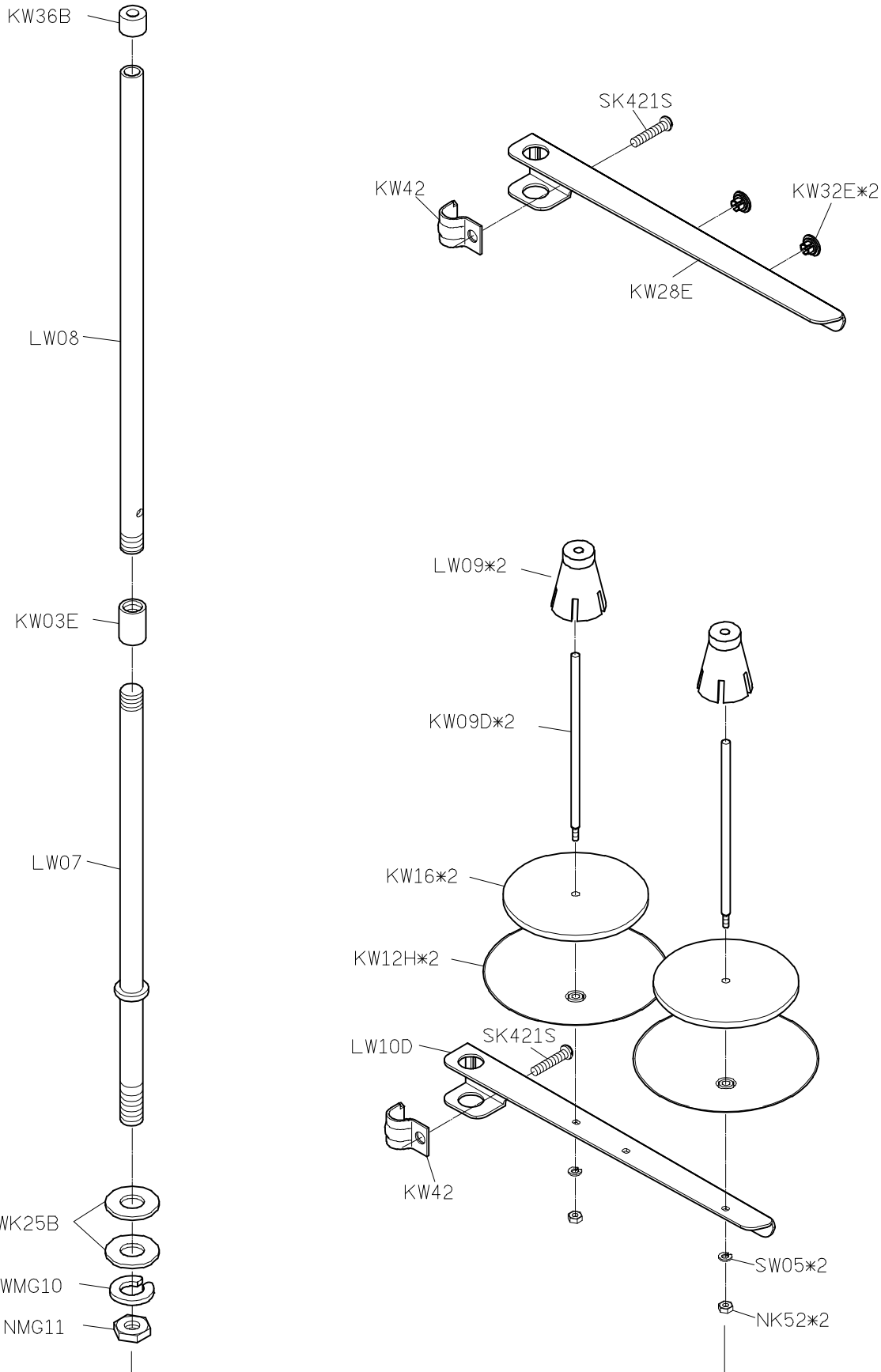
1

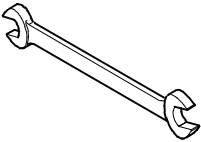

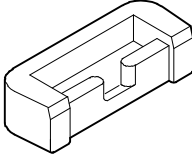
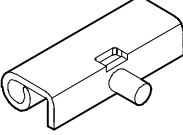

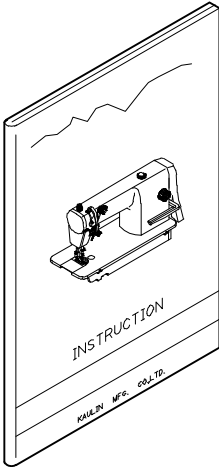
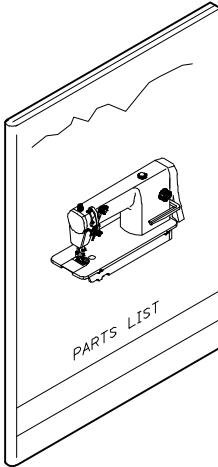

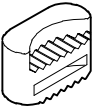



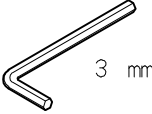
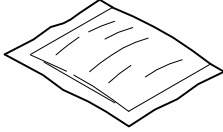
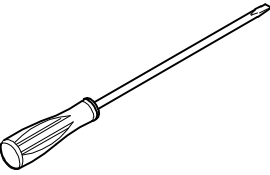
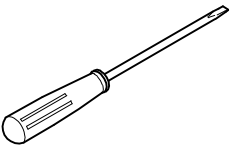
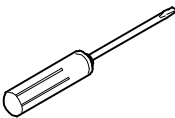

2

3

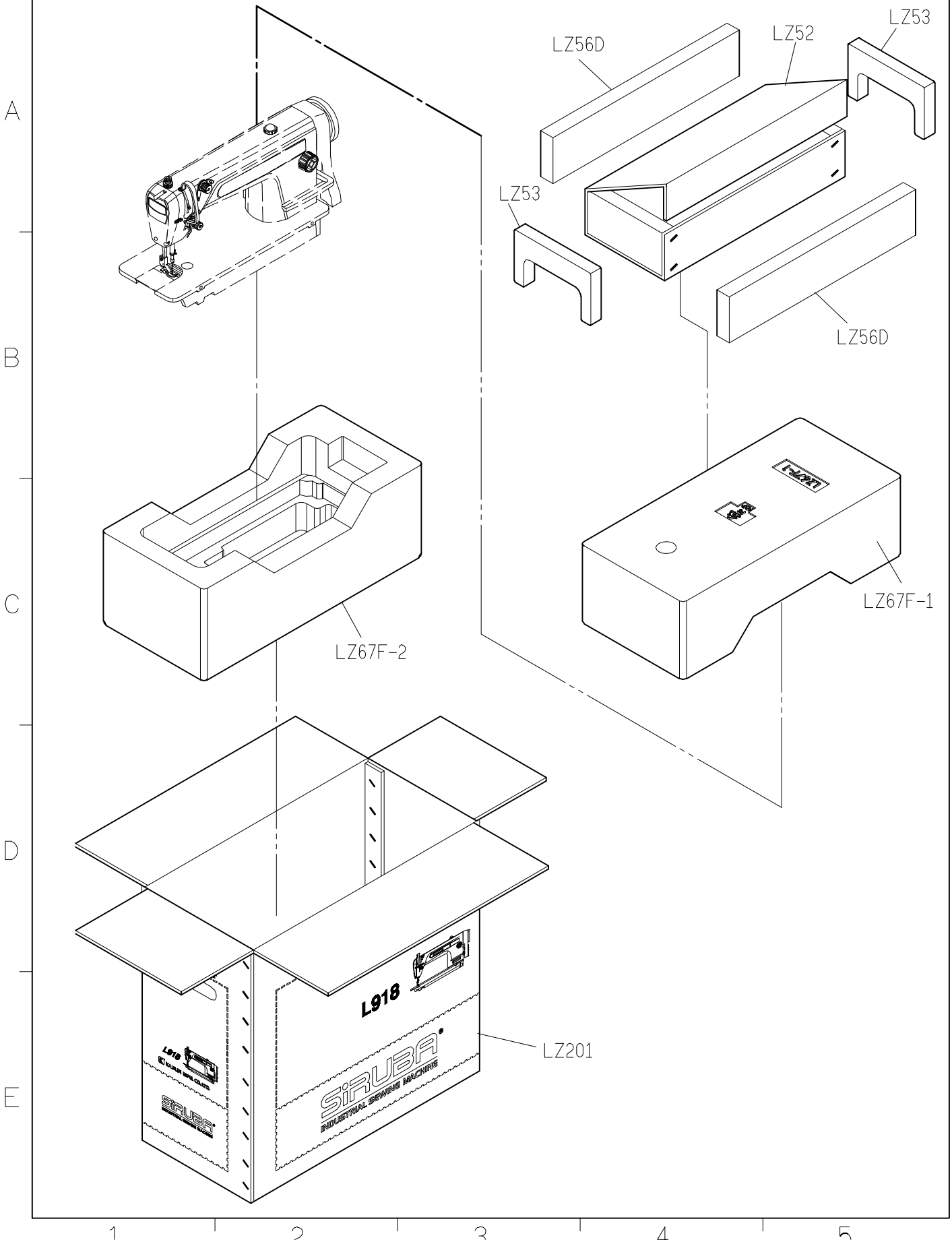
4

5



SIRUBA PARTS LIST	Series	Parts Group	Subclass / Remark	Page
	L918U-DM1	LY		1/1
				Date
				2012/11/01
LY01	LY02	YM04*2	LY05*2	YM102*2
				
LY218	LY227	LY37-A	YM103*2	
				
			G3XX	
				
針*2	LY38	MY11	KZ03*1	
				
		3 mm		
LY33	LY34	LY35	KY201	
				
1	2	3	4	5

SIRUBA PARTS LIST	Series	Parts Group	Subclass / Remark	Page
	L918U-DM1	LZ		1/1
				Date
				2012/12/22



SIRUBA TABLE CUT - OUT	Series	Item Code	Subclass / Remark	Mounting
	L818D/L917	L918-T1		Fully-submerged
	L918/L918U			Date
	L819/L819U			2013/01/01

