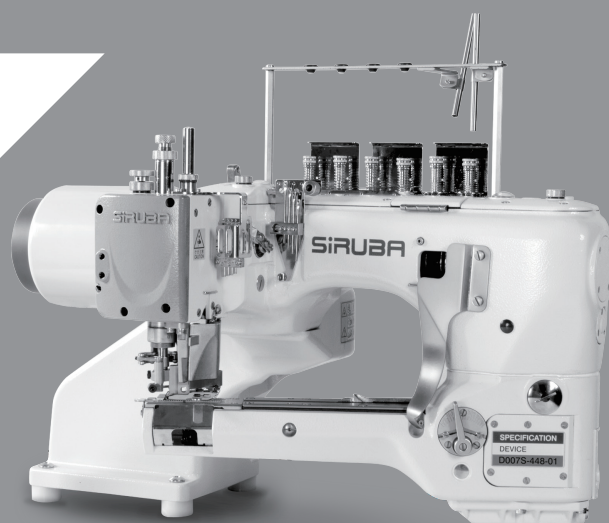


**SIRUBA**<sup>®</sup> Sew Reach

零件圖

PARTS LIST

■ D007S



CE



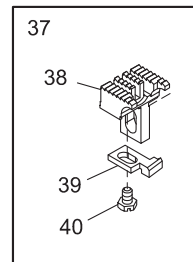
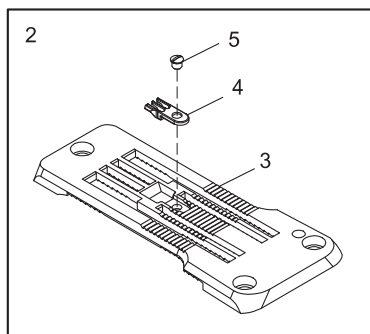
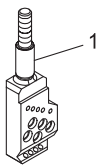
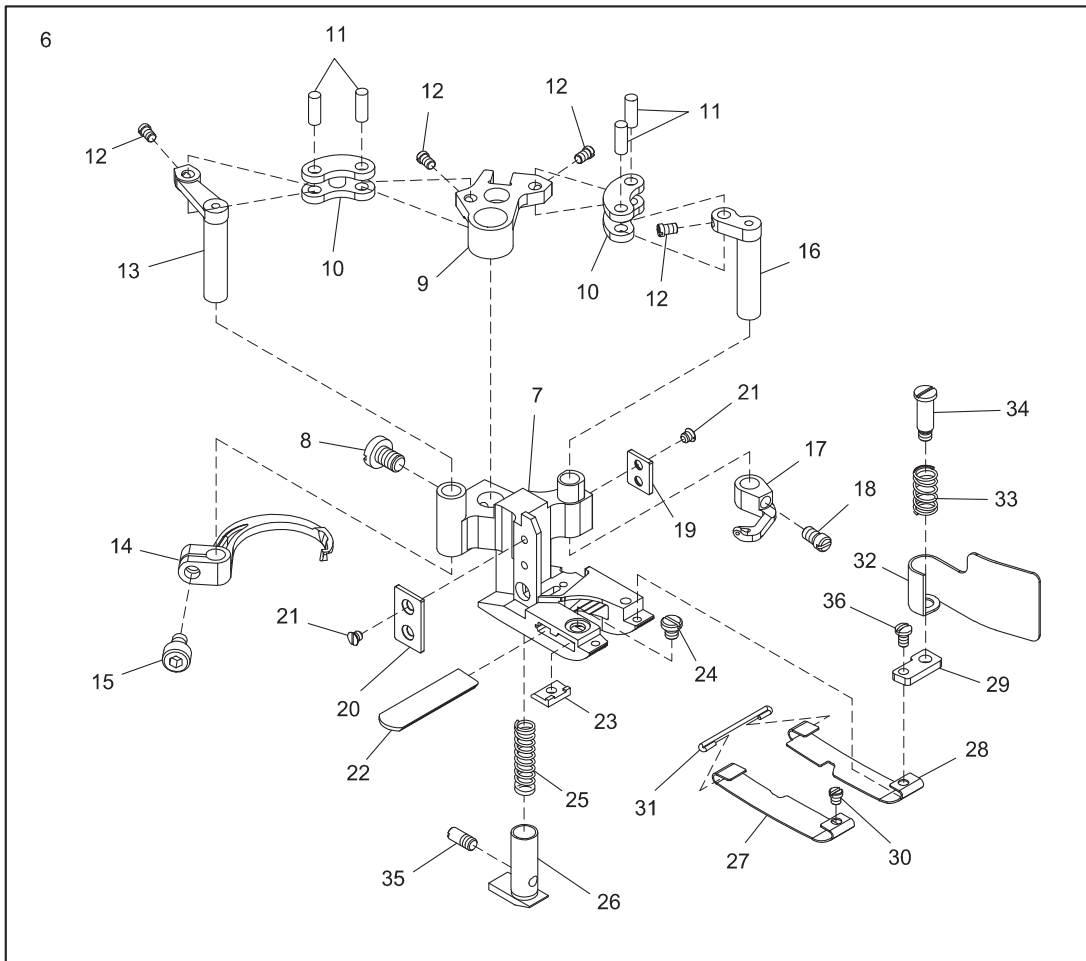
A

B

C

D

E



**SIRUBA**

PARTS LIST

Series

**D007S**

Parts Group

**Exclusive  
Parts**

Subclass / Remark

D007S-452-01

Page

1/6

Date

2015/02/11

A

B

C

D

E

Ref.N	Parts.No	Description	品名	Amt.Req
1	M90001	Needle Clamp	針鑷5.2	1
2	E90001-A	Stitch Plate, C. Set	針板組 5.2	1
3	E90001	Stitch Plate	針板 5.2	1
4	E90101	Stitch Plate Tongue	針板舌片 5.2	1
5	DF0546	Screw (3/32-56x2.5)	螺絲	1
6	P90001-A	One Side Cut Presser Foot, C. Set	單切壓腳組 5.2	1
7	P90001-1	One Side Cut Presser Foot	單切壓腳 5.2	1
8	P90001-2	Screw (11/64-40x6.5)	螺絲	1
9	P90001-3	Carrier/Hook Driving Segment	上勾針驅動扇形片	1
10	P90001-4	Carrier/Hook Driving Lever Link	上勾針驅動連桿	2
11	P90001-5	Link Pin	連桿插銷	4
12	P90001-6	Screw (3/32-56x3.3)	螺絲	4
13	P90001-7	Thread Hook Driving Lever	勾針驅動橫桿	1
14	P90201	Top Cover Thread Hook	上節線過線勾	1
15	P90001-8	Screw (9/64-40x6)	螺絲	1
16	P90001-9	Top Cover Thread Carrier Driving Lever	上節線托架驅動橫桿	1
17	P90301	Top Cover Thread Carrier	上節線托架 5.2	1
18	P90001-10	Screw (1/8-44x5)	螺絲	1
19	P90001-11	Presser Foot Attach Piece (Right)	壓腳連接片 ( 右 )	1
20	P90001-12	Presser Foot Attach Piece (Left)	壓腳連接片 ( 左 )	1
21	P90001-13	Screw (3/32-56x2.5)	螺絲	4
22	P90401	Lower Knife	下切刀	1
23	P90501	Lower Knife Clamp	下切刀夾板	1
24	P90001-14	Screw (1/8-44x3.4)	螺絲	1
25	P90001-15	Yielding Section Spring	小壓具彈簧	1
26	P90601	Yielding Section	小壓具	1
27	P90101	Presser Foot Spring Plate (Left)	壓腳彈簧片 ( 左 )	1
28	P90102	Presser Foot Spring Plate (Right)	壓腳彈簧片 ( 右 )	1
29	P90001-16	Chip Guard Plate	切角防護片座	1
30	P90001-17	Screw (3/32-56x2.6)	螺絲	1
31	P90001-18	Spring Plate Holder	彈簧片固定鐵勾	1
32	P90001-19	Chip Guard	切角防護片	1
33	P90001-20	Chip Guard Spring	切角防護片彈簧	1
34	P90001-21	Screw (1/8-44x3.4)	螺絲	1
35	P90001-22	Screw (1/8-44x5.3)	螺絲	1
36	P90001-23	Screw (3/32-56x4.3)	螺絲	1
37	D90001-A	Main Feed Dog, C. Set	主齒組	1
38	D90001	Main Feed Dog	主齒	1
39	D90101	Needle Guard (Rear)	針檔(後)	1
40	DG1011	Screw (1/8-44x4.8)	螺絲	1

1

2

3

4

5

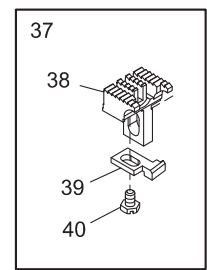
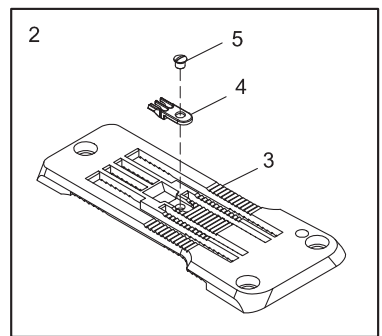
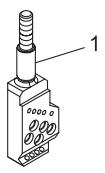
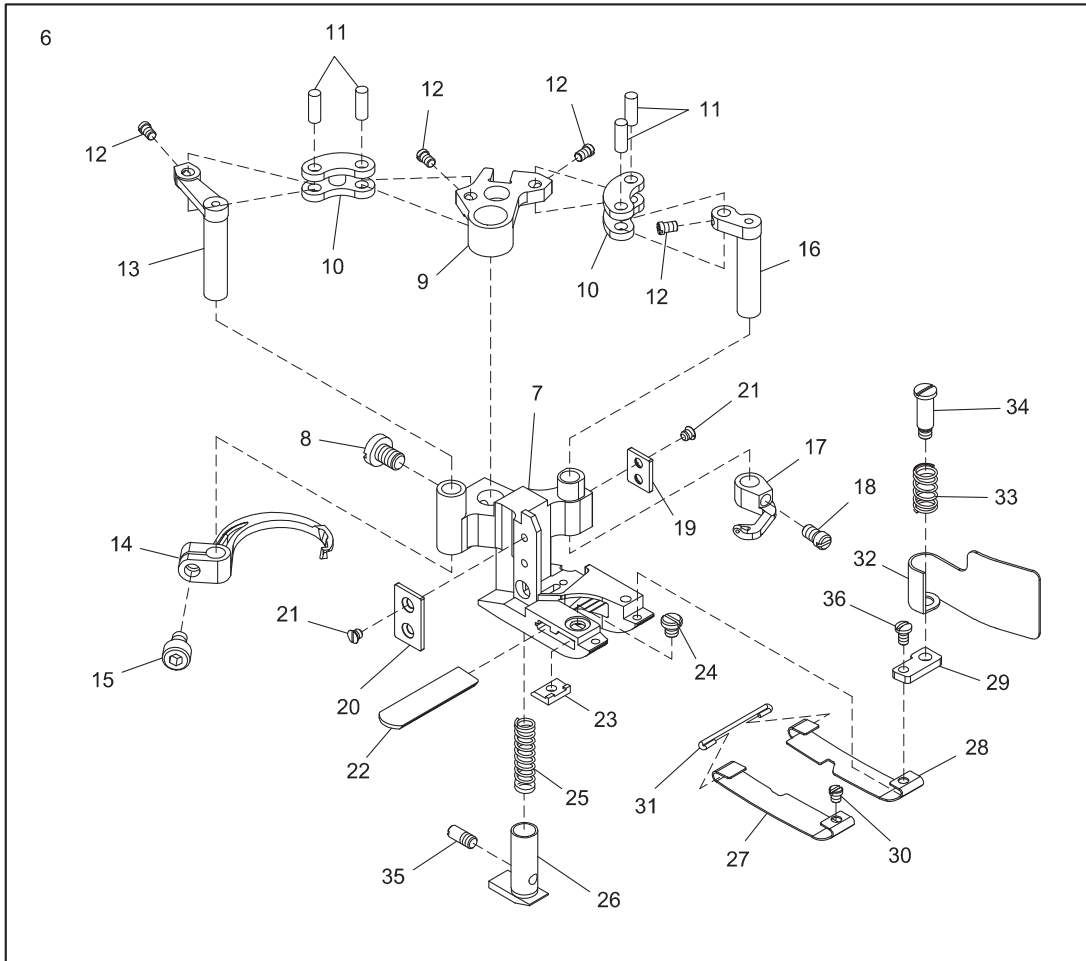
A

B

C

D

E



**D007S**

**Exclusive  
Parts**

D007S-460-01

2/6

Date

2015/02/11

A

B

C

D

E

Ref.N	Parts.No	Description	品名	Amt Req
1	M90002	Needle Clamp	針鑷6.0	1
2	E90002-A	Stitch Plate, C. Set	針板組 6.0	1
3	E90002	Stitch Plate	針板 6.0	1
4	E90102	Stitch Plate Tongue	針板舌片 6.0	1
5	DF0546	Screw (3/32-56x2.5)	螺絲	1
6	P90002-A	Double Side Cut Presser Foot, C. Set	單切壓腳組 6.0	1
7	P90002-1	Double Side Cut Presser Foot	單切壓腳 6.0	1
8	P90001-2	Screw (11/64-40x6.5)	螺絲	1
9	P90001-3	Carrier/Hook Driving Segment	上勾針驅動扇形片	1
10	P90001-4	Carrier/Hook Driving Lever Link	上勾針驅動連桿	2
11	P90001-5	Link Pin	連桿插銷	4
12	P90001-6	Screw (3/32-56x3.3)	螺絲	4
13	P90001-7	Thread Hook Driving Lever	勾針驅動槓桿	1
14	P90201	Top Cover Thread Hook	上飾線過線勾	1
15	P90001-8	Screw (9/64-40x6)	螺絲	1
16	P90001-9	Top Cover Thread Carrier Driving Lever	上飾線托架驅動槓桿	1
17	P90302	Top Cover Thread Carrier	上飾線托架 6.0	1
18	P90001-10	Screw (1/8-44x5)	螺絲	1
19	P90001-11	Presser Foot Attach Piece (Right)	壓腳連接片 (右)	1
20	P90001-12	Presser Foot Attach Piece (Left)	壓腳連接片 (左)	1
21	P90001-13	Screw (3/32-56x2.5)	螺絲	4
22	P90401	Lower Knife	下切刀	1
23	P90501	Lower Knife Clamp	下切刀夾板	1
24	P90001-14	Screw (1/8-44x3.4)	螺絲	1
25	P90001-15	Yielding Section Spring	小壓具彈簧	1
26	P90601	Yielding Section	小壓具	1
27	P90101	Presser Foot Spring Plate (Left)	壓腳彈簧片 (左)	1
28	P90102	Presser Foot Spring Plate (Right)	壓腳彈簧片 (右)	1
29	P90001-16	Chip Guard Plate	切角防護片座	1
30	P90001-17	Screw (3/32-56x2.6)	螺絲	1
31	P90001-18	Spring Plate Holder	彈簧片固定鐵勾	1
32	P90001-19	Chip Guard	切角防護片	1
33	P90001-20	Chip Guard Spring	切角防護片彈簧	1
34	P90001-21	Screw (1/8-44x3.4)	螺絲	1
35	P90001-22	Screw (1/8-44x5.3)	螺絲	1
36	P90001-23	Screw (3/32-56x4.3)	螺絲	1
37	D90001-A	Main Feed Dog, C. Set	主齒組	1
38	D90001	Main Feed Dog	主齒	1
39	D90101	Needle Guard (Rear)	針檔(後)	1
40	DG1011	Screw (1/8-44x4.8)	螺絲	1

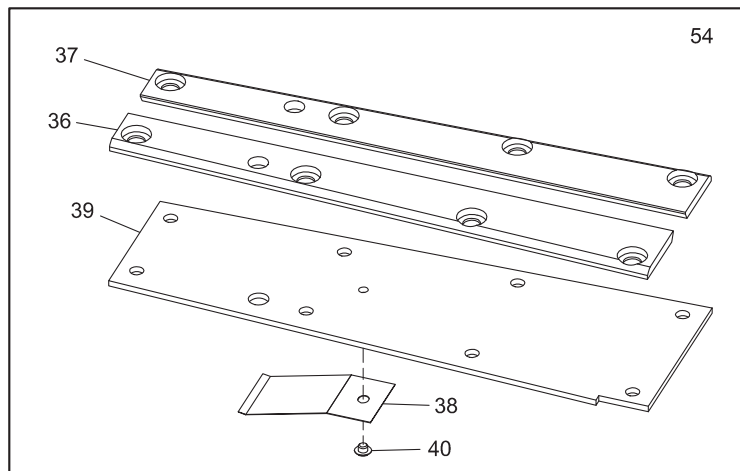
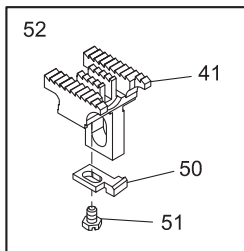
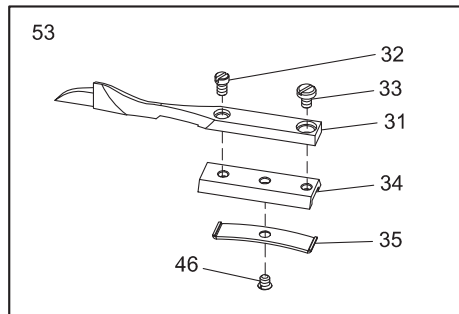
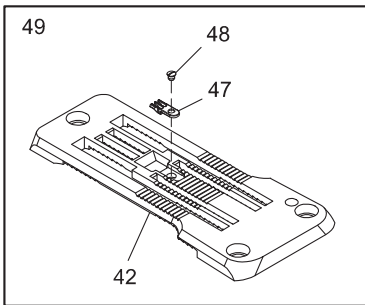
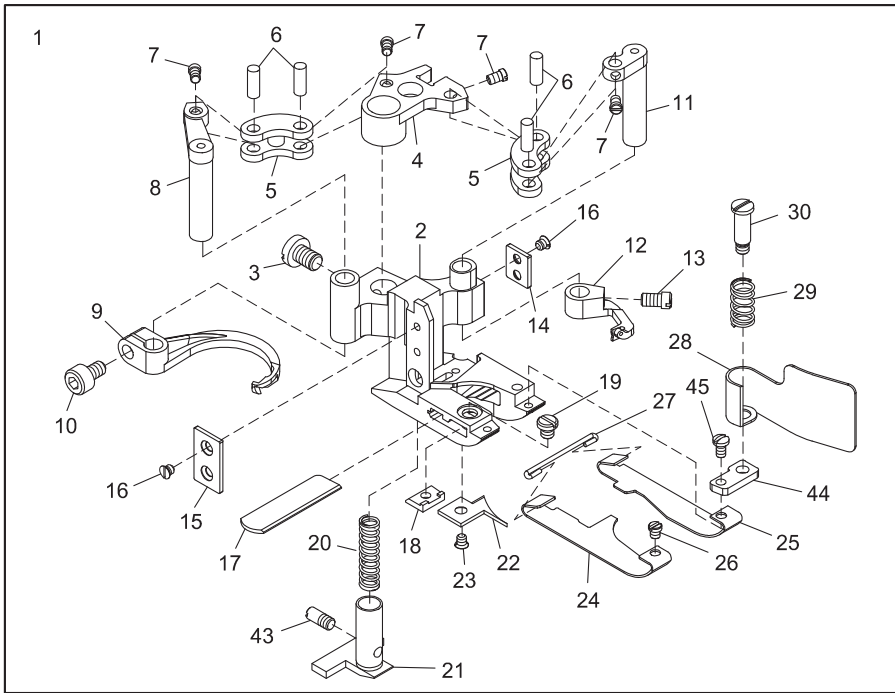
A

B

C

D

E



1

2

3

4

5

A

B

C

D

E

Ref.N	Parts.No	Description	品名	Amt.Req
1	P90003-A	One Side Cut Presser Foot, C. Set	雙切壓腳組 5.2	1
2	P90003-1	One Side Cut Presser Foot	雙切壓腳 5.2	1
3	P90001-2	Screw (11/64-40x6.5)	螺絲	1
4	P90001-3	Carrier/Hook Driving Segment	上勾針驅動扇形片	1
5	P90001-4	Carrier/Hook Driving Lever Link	上勾針驅動連桿	2
6	P90001-5	Link Pin	連桿插銷	4
7	P90001-6	Screw (3/32-56x3.3)	螺絲	4
8	P90001-7	Thread Hook Driving Lever	勾針驅動槓桿	1
9	P90201	Top Cover Thread Hook	上飾線過線勾	1
10	P90001-8	Screw (9/64-40x6)	螺絲	1
11	P90001-9	Top Cover Thread Carrier Driving Lever	上飾線托架驅動槓桿	1
12	P90301	Top Cover Thread Carrier	上飾線托架 5.2	1
13	P90001-10	Screw (1/8-44x5)	螺絲	1
14	P90001-11	Presser Foot Attach Piece (Right)	壓腳連接片 (右)	1
15	P90001-12	Presser Foot Attach Piece (Left)	壓腳連接片 (左)	1
16	P90001-13	Screw (3/32-56x2.5)	螺絲	4
17	P90401	Lower Knife	下切刀	1
18	P90502	Lower Knife Clamp	下切刀夾板	1
19	P90001-14	Screw (1/8-44x3.4)	螺絲	1
20	P90001-15	Yielding Section Spring	小壓具彈簧	1
21	P90602	Yielding Section	小壓具	1
22	P90801	Presser Foot Tongue	壓腳舌片	1
23	P90002-24	Screw (3/32-56x2.8)	螺絲	2
24	P90103	Presser Foot Spring Plate (Left)	壓腳彈簧片 (左)	1
25	P90104	Presser Foot Spring Plate (Right)	壓腳彈簧片 (右)	1
26	P90001-17	Screw (3/32-56x2.6)	螺絲	1
27	P90001-18	Spring Plate Holder	彈簧片固定鐵勾	1
28	P90001-19	Chip Guard	切角防護片	1
29	P90001-20	Chip Guard Spring	切角防護片彈簧	1
30	P90001-21	Screw (1/8-44x3.4)	螺絲	1
31	A90001	Lap Former	導布器 (薄料用)	1
32	DA1232	Screw (3/32-56x3.8)	螺絲	1
33	DA1233	Screw (3/32-56x3.8)	螺絲	1
34	DA1234	Lap Former Slide Block	前導布器滑塊	1
35	DA1235	Lap Former Slide Block Spring	前導布器滑塊彈簧片	1
36	DA1236	Lap Former Guide Plate (Left)	前導布器導軌 (左)	1
37	DA1237	Lap Former Guide Plate (Right)	前導布器導軌 (右)	1
38	DA0219	Dust Defender (Upper)	防塵蓋 (上)	8
39	DA1239	Sewing Cylinder Cover (Upper)	下巴蓋板	1
40	DA0220	Screw (3/32-56x2.1)	螺絲	1
41	D90002	Main Feed Dog	主齒	1
42	E90003	Stitch Plate	針板 5.2	1
43	P90001-22	Screw (1/8-44x5.3)	螺絲	1
44	P90001-16	Chip Guard Plate	切角防護片座	1
45	P90001-23	Screw (3/32-56x4.3)	螺絲	1
46	DA1223	Screw (3/32-56x2.8)	螺絲	1
47	E90101	Stitch Plate Tongue	針板舌片 5.2	1
48	DF0546	Screw (3/32-56x2.5)	螺絲	1
49	E90003-A	Stitch Plate, C. Set	針板組 5.2	1
50	D90101	Needle Guard (Rear)	針檔 (後)	1
51	DG1011	Screw (1/8-44x4.8)	螺絲	1
52	D90002-A	Main Feed Dog, C. Set	主齒組	1
53	A90001-A	Lap Former, C. Set	導布器組 (薄料用)	1
54	DA1254	Sewing Cylinder Cover, C. Set	下巴蓋板組	1



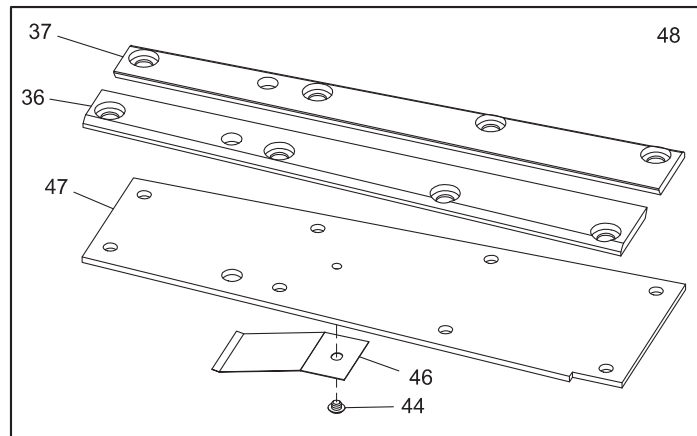
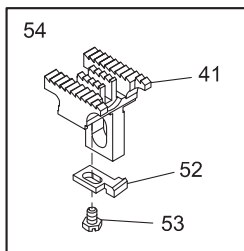
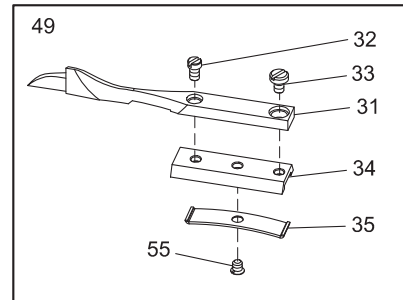
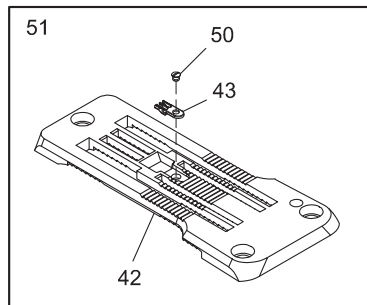
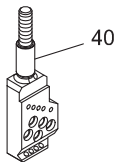
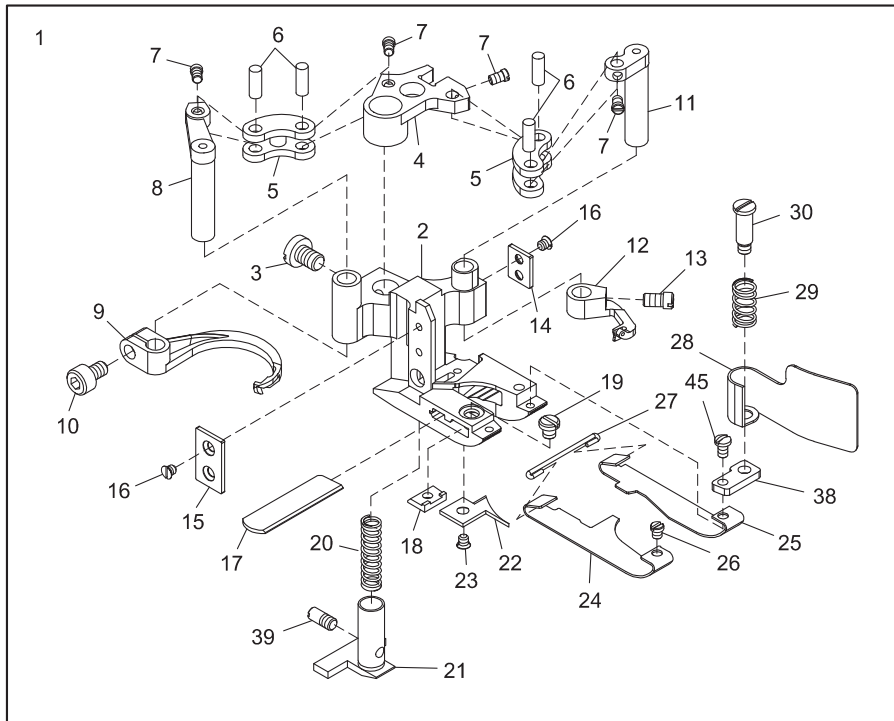
A

B

C

D

E



**SIRUBA**

PARTS LIST

Series

**D007S**

Parts Group

**Exclusive  
Parts**

Subclass / Remark

D007S-460-02

Page

4/6

Date

2015/02/11

A

B

C

D

E

Ref.N	Parts.No	Description	品 名	Amt.Req
1	P90004-A	Double Side Cut Presser Foot, C. Set	雙切壓腳組 6.0	1
2	P90004-1	Double Side Cut Presser Foot	雙切壓腳 6.0	1
3	P90001-2	Screw (11/64-40x6.5)	螺絲	1
4	P90001-3	Carrier/Hook Driving Segment	上勾針驅動扇形片	1
5	P90001-4	Carrier/Hook Driving Lever Link	上勾針驅動連桿	2
6	P90001-5	Link Pin	連桿插銷	4
7	P90001-6	Screw (3/32-56x3.3)	螺絲	4
8	P90001-7	Thread Hook Driving Lever	勾針驅動槓桿	1
9	P90201	Top Cover Thread Hook	上飾線過線勾	1
10	P90001-8	Screw (9/64-40x6)	螺絲	1
11	P90001-9	Top Cover Thread Carrier Driving Lever	上飾線托架驅動槓桿	1
12	P90302	Top Cover Thread Carrier	上飾線托架 6.0	1
13	P90001-10	Screw (1/8-44x5)	螺絲	1
14	P90001-11	Presser Foot Attach Piece (Right)	壓腳連接片 (右)	1
15	P90001-12	Presser Foot Attach Piece (Left)	壓腳連接片 (左)	1
16	P90001-13	Screw (3/32-56x2.5)	螺絲	4
17	P90401	Lower Knife	下切刀	1
18	P90502	Lower Knife Clamp	下切刀夾板	1
19	P90001-14	Screw (1/8-44x3.4)	螺絲	1
20	P90001-15	Yielding Section Spring	小壓具彈簧	1
21	P90602	Yielding Section	小壓具	1
22	P90801	Presser Foot Tongue	壓腳舌片	1
23	P90002-24	Screw (3/32-56x2.8)	螺絲	1
24	P90103	Presser Foot Spring Plate (Left)	壓腳彈簧片 (左)	1
25	P90104	Presser Foot Spring Plate (Right)	壓腳彈簧片 (右)	1
26	P90001-17	Screw (3/32-56x2.6)	螺絲	1
27	P90001-18	Spring Plate Holder	彈簧片固定鐵勾	1
28	P90001-19	Chip Guard	切角防護片	1
29	P90001-20	Chip Guard Spring	切角防護片彈簧	1
30	P90001-21	Screw (1/8-44x3.4)	螺絲	1
31	A90001	Lap Former	導布器 (薄料用)	1
32	DA1232	Screw (3/32-56x3.8)	螺絲	1
33	DA1233	Screw (3/32-56x3.8)	螺絲	1
34	DA1234	Lap Former Slide Block	前導布器滑塊	1
35	DA1235	Lap Former Slide Block Spring	前導布器滑塊彈簧片	1
36	DA1236	Lap Former Guide Plate (Left)	前導布器導軌 (左)	1
37	DA1237	Lap Former Guide Plate (Right)	前導布器導軌 (右)	1
38	P90001-16	Chip Guard Plate	切角防護片座	1
39	P90001-22	Screw (1/8-44x5.3)	螺絲	1
40	M90002	Needle Clamp	針鏢6.0	1
41	D90002	Main Feed Dog	主齒	1
42	E90004	Stitch Plate	針板 6.0	1
43	E90102	Stitch Plate Tongue	針板舌片 6.0	1
44	DA0220	Screw (3/32-56x2.1)	螺絲	1
45	P90001-23	Screw (3/32-56x4.3)	螺絲	1
46	DA0219	Dust Defender (Upper)	防塵蓋 (上)	1
47	DA1239	Sewing Cylinder Cover (Upper)	下巴蓋板	1
48	DA1254	Sewing Cylinder Cover, C. Set	下巴蓋板組	1
49	A90001-A	Lap Former, C. Set	導布器組 (薄料用)	1
50	DF0546	Screw (3/32-56x2.5)	螺絲	1
51	E90004-A	Stitch Plate, C. Set	針板組 6.0	1
52	D90101	Needle Guard (Rear)	針檔(後)	1
53	DG1011	Screw (1/8-44x4.8)	螺絲	1
54	D90002-A	Main Feed Dog, C. Set	主齒組	1
55	DA1223	Screw (3/32-56x2.8)	螺絲	1

1

2

3

4

5

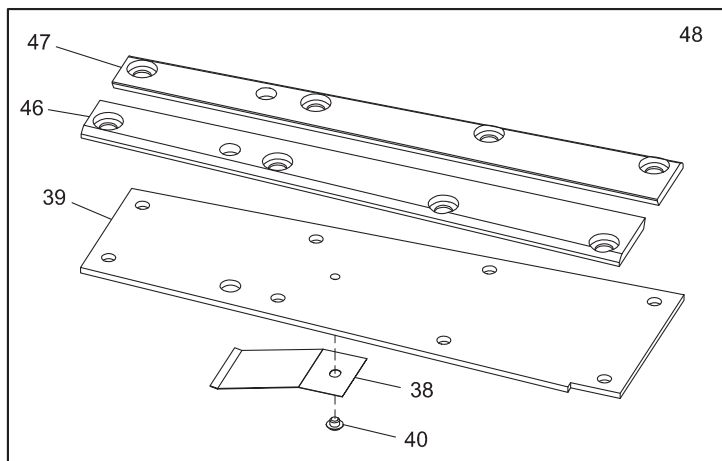
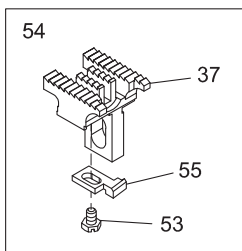
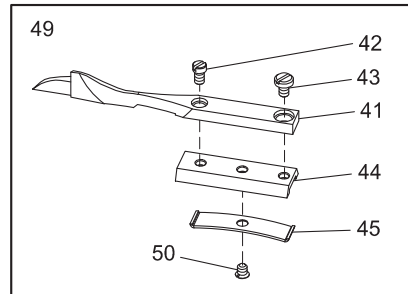
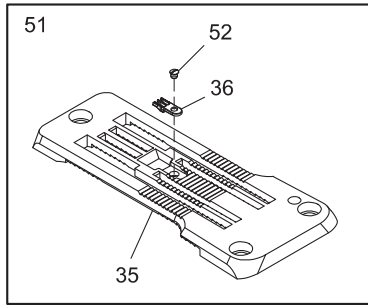
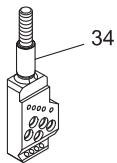
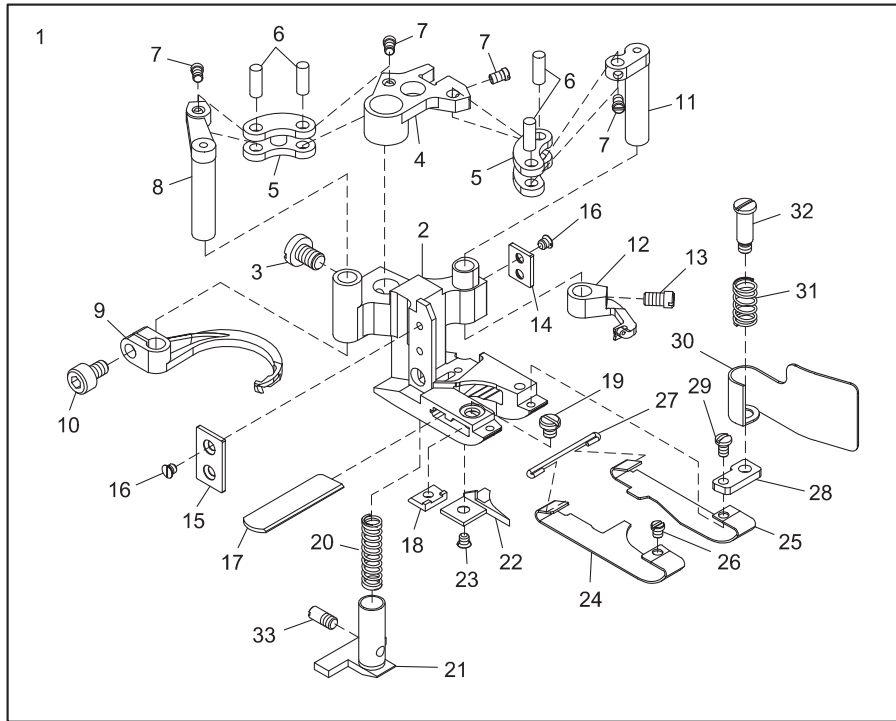
A

B

C

D

E



**SIRUBA**

PARTS LIST

Series

**D007S**

Parts Group

**Exclusive  
Parts**

Subclass / Remark

D007S-452-02H

Page

5/6

Date

2015/02/11

A

B

C

D

E

Ref.N	Parts.No	Description	品名	Amt Req
1	P90005-A	Double Side Cut Presser Foot, C. Set	雙切壓腳組 5.2	1
2	P90005-1	Double Side Cut Presser Foot	雙切壓腳 5.2	1
3	P90001-2	Screw (11/64-40x6.5)	螺絲	1
4	P90001-3	Carrier/Hook Driving Segment	上勾針驅動扇形片	1
5	P90001-4	Carrier/Hook Driving Lever Link	上勾針驅動連桿	2
6	P90001-5	Link Pin	連桿插銷	4
7	P90001-6	Screw (3/32-56x3.3)	螺絲	4
8	P90001-7	Thread Hook Driving Lever	勾針驅動橫桿	1
9	P90201	Top Cover Thread Hook	上飾線過線勾	1
10	P90001-8	Screw (9/64-40x6)	螺絲	1
11	P90001-9	Top Cover Thread Carrier Driving Lever	上飾線托架驅動橫桿	1
12	P90301	Top Cover Thread Carrier	上飾線托架 5.2	1
13	P90001-10	Screw (1/8-44x5)	螺絲	1
14	P90001-11	Presser Foot Attach Piece (Right)	壓腳連接片 (右)	1
15	P90001-12	Presser Foot Attach Piece (Left)	壓腳連接片 (左)	1
16	P90001-13	Screw (3/32-56x2.5)	螺絲	4
17	P90402	Lower Knife	下切刀	1
18	P90502	Lower Knife Clamp	下切刀夾板	1
19	P90001-14	Screw (1/8-44x3.4)	螺絲	1
20	P90001-15	Yielding Section Spring	小壓具彈簧	1
21	P90602	Yielding Section	小壓具	1
22	P90802	Presser Foot Tongue	壓腳舌片	1
23	P90002-24	Screw (3/32-56x2.8)	螺絲	1
24	P90103	Presser Foot Spring Plate (Left)	壓腳彈簧片 (左)	1
25	P90104	Presser Foot Spring Plate (Right)	壓腳彈簧片 (右)	1
26	P90001-17	Screw (3/32-56x2.6)	螺絲	1
27	P90001-18	Spring Plate Holder	彈簧片固定鐵勾	1
28	P90001-16	Chip Guard Plate	切角防護片座	1
29	P90001-23	Screw (3/32-56x4.3)	螺絲	1
30	P90001-19	Chip Guard	切角防護片	1
31	P90001-20	Chip Guard Spring	切角防護片彈簧	1
32	P90001-21	Screw (1/8-44x3.4)	螺絲	1
33	P90001-22	Screw (1/8-44x5.3)	螺絲	1
34	M90001	Needle Clamp	針鏢 5.2	1
35	E90003	Stitch Plate	針板 5.2	1
36	E90101	Stitch Plate Tongue	針板舌片 5.2	1
37	D90002	Main Feed Dog	主齒	1
38	DA0219	Dust Defender (Upper)	防塵蓋 (上)	8
39	DA1239	Sewing Cylinder Cover (Upper)	下巴蓋板	1
40	DA0220	Screw (3/32-56x2.1)	螺絲	1
41	A90002	Lap Former	導布器 (厚料用)	1
42	DA1232	Screw (3/32-56x3.8)	螺絲	1
43	DA1233	Screw (3/32-56x3.8)	螺絲	1
44	DA1234	Lap Former Slide Block	前導布器滑塊	1
45	DA1235	Lap Former Slide Block Spring	前導布器滑塊彈簧片	1
46	DA1236	Lap Former Guide Plate (Left)	前導布器導軌 (左)	1
47	DA1237	Lap Former Guide Plate (Right)	前導布器導軌 (右)	1
48	DA1254	Sewing Cylinder Cover, C. Set	下巴蓋板組	1
49	A90002-A	Lap Former, C. Set	導布器 (厚料用)	1
50	DA1223	Screw (3/32-56x2.8)	螺絲	1
51	E90004-A	Stitch Plate, C. Set	針板組 6.0	1
52	DF0546	Screw (3/32-56x2.5)	螺絲	1
53	DG1011	Screw (1/8-44x4.8)	螺絲	1
54	D90002-A	Main Feed Dog, C. Set	主齒組	1
55	D90101	Needle Guard (Rear)	針檔(後)	1

1

2

3

4

5

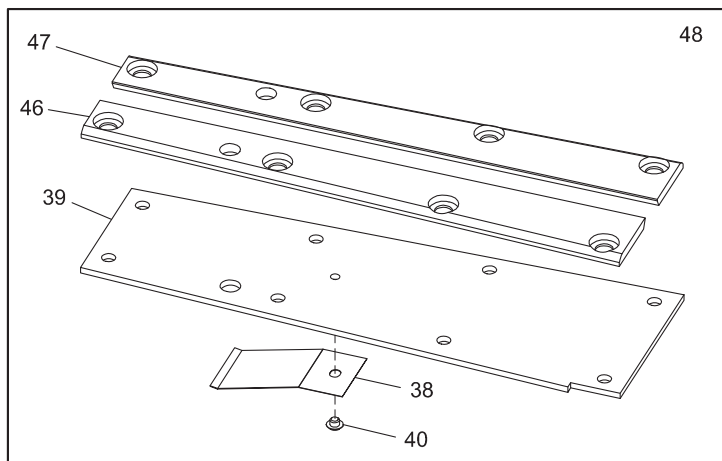
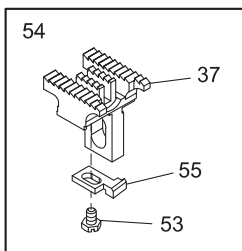
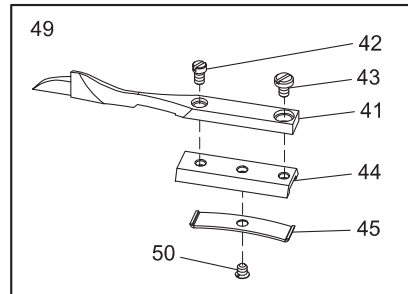
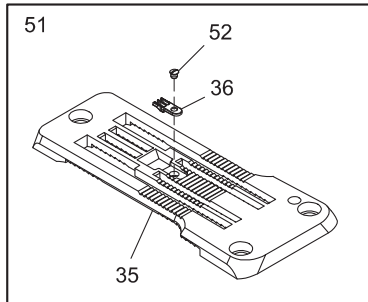
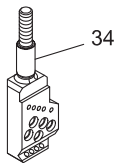
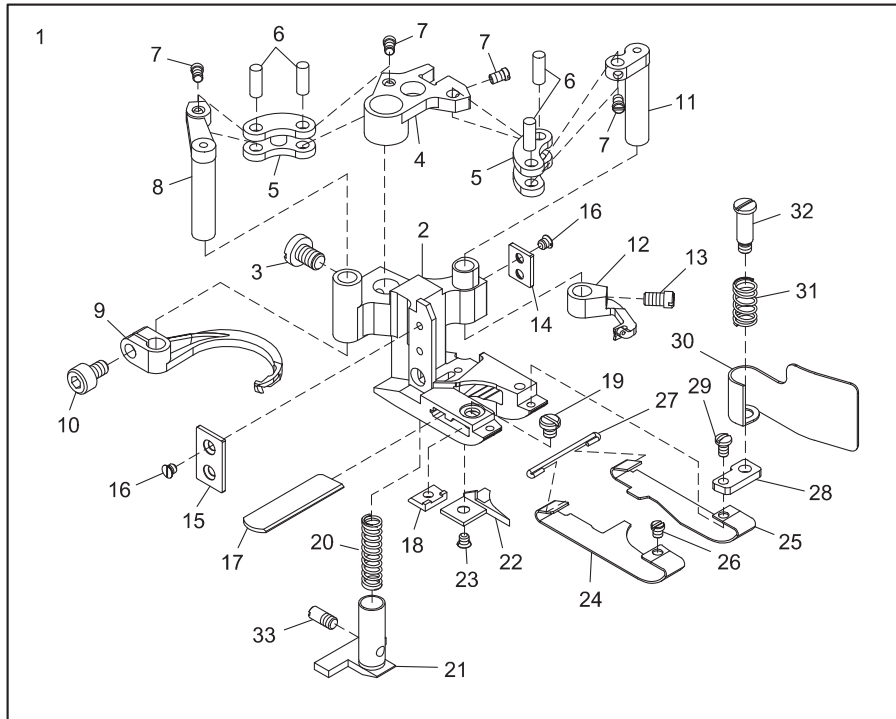
A

B

C

D

E



**SIRUBA**

PARTS LIST

Series

**D007S**

Parts Group

**Exclusive  
Parts**

Subclass / Remark

D007S-460-02H

Page

6/6

Date

2015/02/11

A

B

C

D

E

Ref.N	Parts.No	Description	品名	Amt Req
1	P90006-A	Double Side Cut Presser Foot, C. Set	雙切壓腳組 6.0	1
2	P90006-1	Double Side Cut Presser Foot	雙切壓腳 6.0	1
3	P90001-2	Screw (11/64-40x6.5)	螺絲	1
4	P90001-3	Carrier/Hook Driving Segment	上勾針驅動扇形片	1
5	P90001-4	Carrier/Hook Driving Lever Link	上勾針驅動連桿	2
6	P90001-5	Link Pin	連桿插銷	4
7	P90001-6	Screw (3/32-56x3.3)	螺絲	4
8	P90001-7	Thread Hook Driving Lever	勾針驅動橫桿	1
9	P90201	Top Cover Thread Hook	上飾線過線勾	1
10	P90001-8	Screw (9/64-40x6)	螺絲	1
11	P90001-9	Top Cover Thread Carrier Driving Lever	上飾線托架驅動橫桿	1
12	P90302	Top Cover Thread Carrier	上飾線托架 6.0	1
13	P90001-10	Screw (1/8-44x5)	螺絲	1
14	P90001-11	Presser Foot Attach Piece (Right)	壓腳連接片 (右)	1
15	P90001-12	Presser Foot Attach Piece (Left)	壓腳連接片 (左)	1
16	P90001-13	Screw (3/32-56x2.5)	螺絲	4
17	P90402	Lower Knife	下切刀	1
18	P90502	Lower Knife Clamp	下切刀夾板	1
19	P90001-14	Screw (1/8-44x3.4)	螺絲	1
20	P90001-15	Yielding Section Spring	小壓具彈簧	1
21	P90602	Yielding Section	小壓具	1
22	P90802	Presser Foot Tongue	壓腳舌片	1
23	P90002-24	Screw (3/32-56x2.8)	螺絲	1
24	P90103	Presser Foot Spring Plate (Left)	壓腳彈簧片 (左)	1
25	P90104	Presser Foot Spring Plate (Right)	壓腳彈簧片 (右)	1
26	P90001-17	Screw (3/32-56x2.6)	螺絲	1
27	P90001-18	Spring Plate Holder	彈簧片固定鐵勾	1
28	P90001-16	Chip Guard Plate	切角防護片座	1
29	P90001-23	Screw (3/32-56x4.3)	螺絲	1
30	P90001-19	Chip Guard	切角防護片	1
31	P90001-20	Chip Guard Spring	切角防護片彈簧	1
32	P90001-21	Screw (1/8-44x3.4)	螺絲	1
33	P90001-22	Screw (1/8-44x5.3)	螺絲	1
34	M90002	Needle Clamp	針鏢 6.0	1
35	E90004	Stitch Plate	針板 6.0	1
36	E90102	Stitch Plate Tongue	針板舌片 6.0	1
37	D90002	Main Feed Dog	主齒	1
38	DA0219	Dust Defender (Upper)	防塵蓋 (上)	8
39	DA1239	Sewing Cylinder Cover (Upper)	下巴蓋板	1
40	DA0220	Screw (3/32-56x2.1)	螺絲	1
41	A90002	Lap Former	導布器 (厚料用)	1
42	DA1232	Screw (3/32-56x3.8)	螺絲	1
43	DA1233	Screw (3/32-56x3.8)	螺絲	1
44	DA1234	Lap Former Slide Block	前導布器滑塊	1
45	DA1235	Lap Former Slide Block Spring	前導布器滑塊彈簧片	1
46	DA1236	Lap Former Guide Plate (Left)	前導布器導軌 (左)	1
47	DA1237	Lap Former Guide Plate (Right)	前導布器導軌 (右)	1
48	DA1254	Sewing Cylinder Cover, C. Set	下巴蓋板組	1
49	A90002-A	Lap Former, C. Set	導布器 (厚料用)	1
50	DA1223	Screw (3/32-56x2.8)	螺絲	1
51	E90004-A	Stitch Plate, C. Set	針板組 6.0	1
52	DF0546	Screw (3/32-56x2.5)	螺絲	1
53	DG1011	Screw (1/8-44x4.8)	螺絲	1
54	D90002-A	Main Feed Dog, C. Set	主齒組	1
55	D90101	Needle Guard (Rear)	針檔(後)	1

1

2

3

4

5

**SIRUBA**

PARTS LIST

Series

**D007S**

Parts Group

**DA**

Subclass / Remark

Page

1/2

Date

2015/02/11

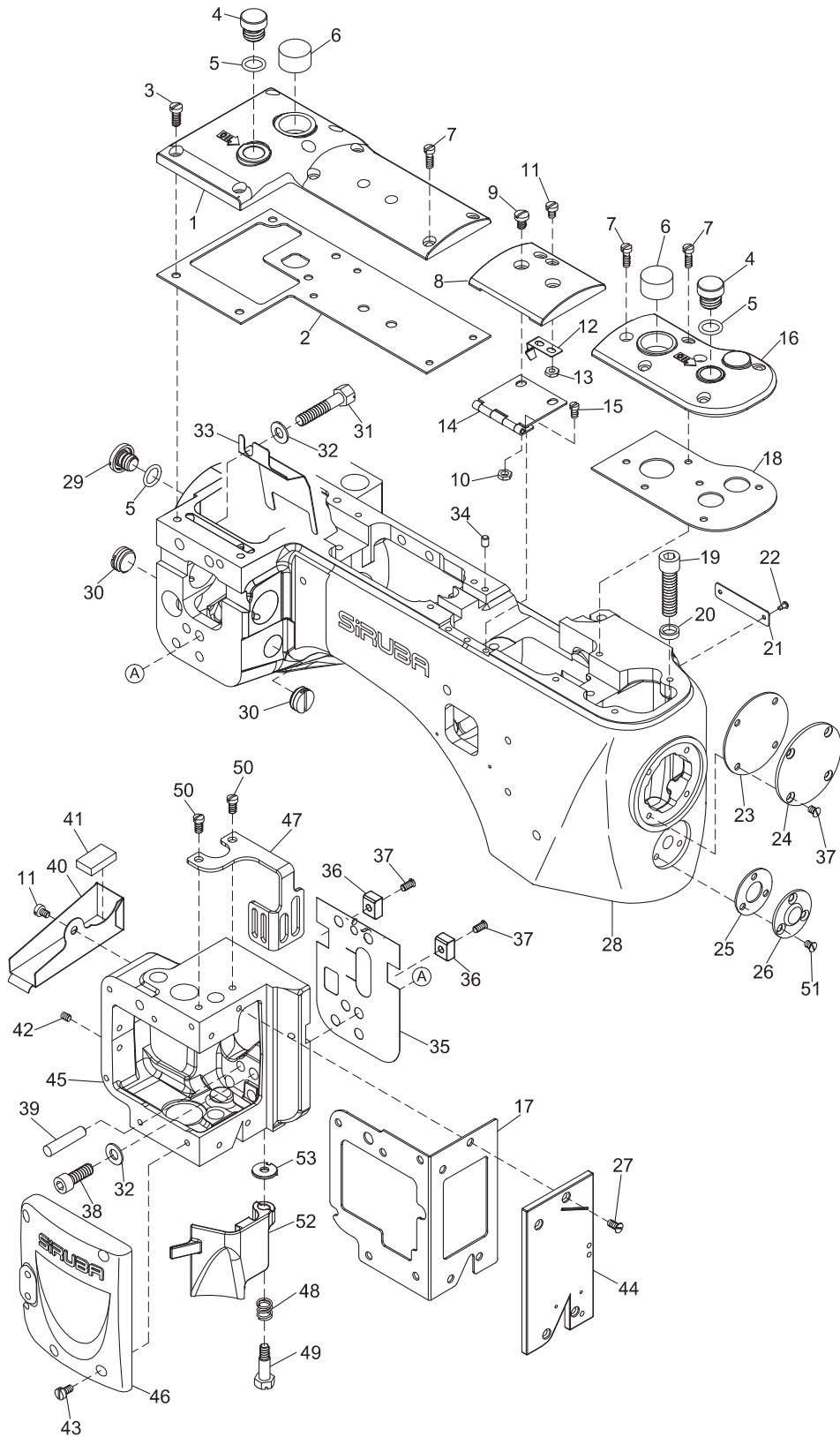
A

B

C

D

E



1

2

3

4

5

**SIRUBA**

PARTS LIST

Series

Parts Group

Subclass / Remark

Page

D007S

DA

1/2

Date

2015/02/11

A

B

C

D

E

Ref.N	Parts.No	Description	品名	Amt.Req
1	DA0101	Crank Chamber Cover	曲軸室上蓋	1
2	DA0102	Crank Chamber Cover Gasket	曲軸室墊片	1
3	DA0103	Screw (11/64-40x10)	螺絲	5
4	DA0104	Screw (M12-1.75x9)	螺絲	2
5	DA0105	O-ring (P10)	O型橡膠環	3
6	DA0106	Oil Sight Top Window	上油鏡	2
7	DE0834	Screw (9/64-40x11)	螺絲	10
8	DA0108	Top Cover (Middle)	上蓋 (中)	1
9	DG1009	Screw (11/64-40x8)	螺絲	2
10	DA0110	Nut	螺帽	2
11	DA0111	Screw (9/64-40x5.6)	螺絲	3
12	DA0112	Top Cover (Middle) Spring	上蓋 (中) 彈簧	1
13	DA0113	Nut	螺帽	2
14	DA0114	Top Cover (Middle) Hinge	上蓋板 (中) 活動板	1
15	DA0115	Screw (9/64-40x6)	螺絲	3
16	DA0116	Top Cover (Front)	上蓋 (前)	1
17	DA0155	Sewing Head Cover Gasket	止油墊片	1
18	DA0118	Top Cover (Front) Gasket	上蓋墊片 (前)	1
19	DA0119	Screw (5/16-24x32)	螺絲	3
20	DA0120	Washer	墊片	3
21	DA0121	Serial Number Plate	號碼牌	1
22	DA0122	Rivet	鉚釘	2
23	DA0123	Machine Frame End Cover Gasket	防油墊片	1
24	DA0124	Machine Frame End Cover	防油蓋	1
25	DA0125	Looper Lever Shaft Cover Gasket	防油墊片	1
26	DA0126	Looper Lever Shaft Cover	防油蓋	1
27	DA0127	Screw (9/64-40x8)	螺絲	4
28	DA0159	Machine Frame	機殼	1
29	DA0129	Drain Hole Screw (3/8-24x8)	止油螺絲	1
30	DA0130	Plug Screw (M14-1x4.8)	止油螺絲	2
31	DA0131	Screw (1/4-28x32.5)	螺絲	2
32	DA0132	Washer	墊片	3
33	DA0133	Crank Chamber Cover Oil Shield	防油鐵片	1
34	DA0134	Oil Seal Plug	橡膠塞	1
35	DA0135	Sewing Head Oil Defense	防油板	1
36	DA0136	Sewing Head Key	機殼固定塊	2
37	DA0137	Screw (9/64-40x8)	螺絲	9
38	DA0138	Screw (1/4-28x20)	螺絲	1
39	DA0139	Pin	插銷	1
40	DA0140	Knife Driving Connection Oil Guard	油槽	1
41	DA0141	Knife Driving Connection Felt	油棉墊	1
42	DA0142	Screw (9/64-40x6)	螺絲	2
43	DA0143	Screw (9/64-40x7.3)	螺絲	5
44	DA0156	Sewing Head Cover Gasket (Front)	車頭前蓋	1
45	DA0160	Machine Frame	機殼	1
46	DA0146	Sewing Head Cover (Left)	車頭蓋	1
47	DA0157	Needle Thrad Take-up Guard	護蓋	1
48	DA0153	Frame Chip Guard Spring	彈簧	1
49	DA0154	Screw (M5-0.8X8.7)	螺絲	1
50	DA0158	Screw (M4-0.7x7.8)	螺絲	2
51	DA0151	Screw (9/64-40x5.6)	螺絲	3
52	DA1746	Frame Chip Guard	防護板	1
53	DA0166	Frame Chip Guard Washer	墊片	1

1

2

3

4

5



**SIRUBA**

PARTS LIST

Series

**D007S**

Parts Group

**DA**

Subclass / Remark

(D007S-452-01)

(D007S-460-01)

Page

2/2

Date

2015/06/08

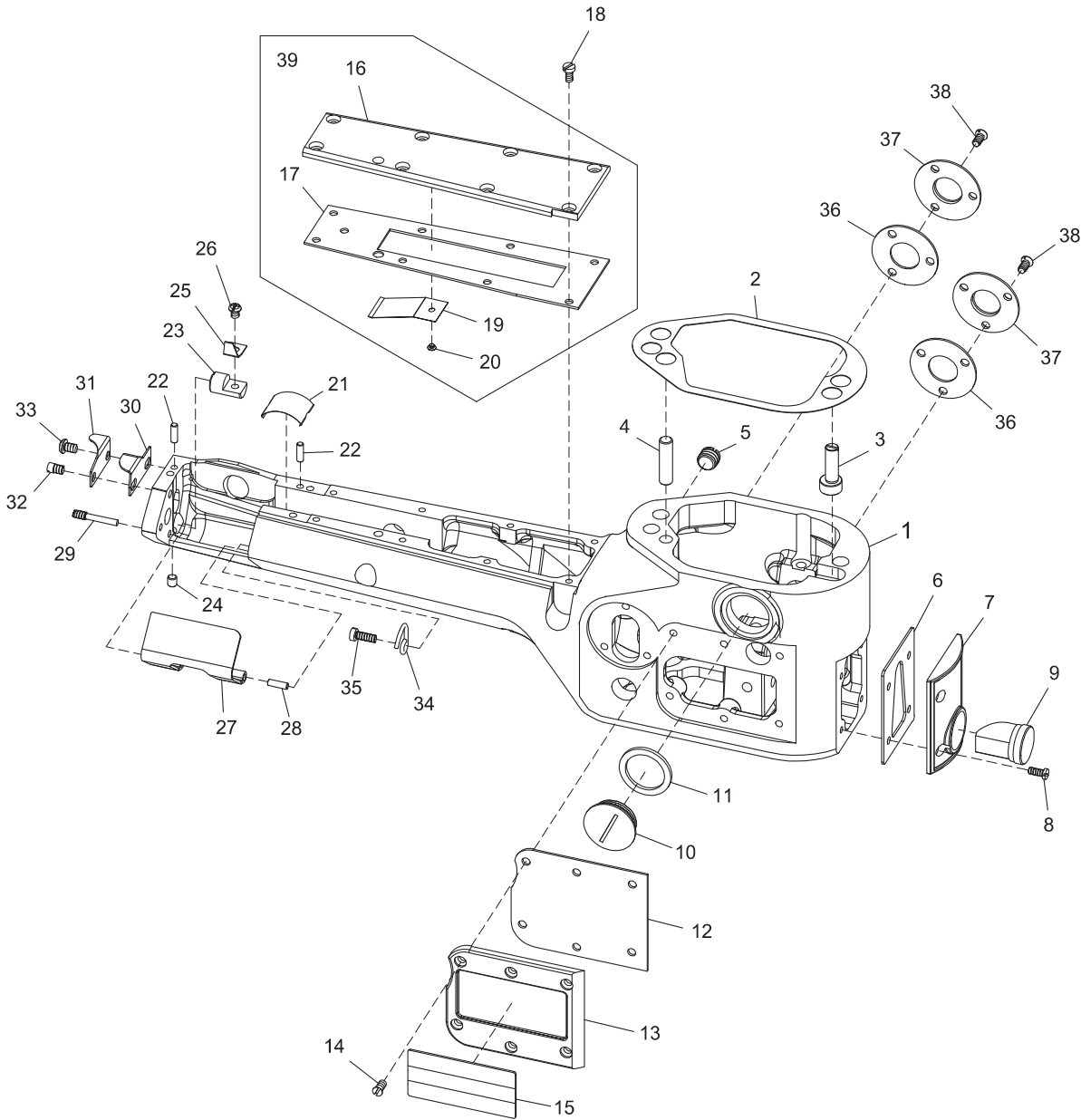
A

B

C

D

E



1

2

3

4

5

**SIRUBA**

PARTS LIST

Series

**D007S**

Parts Group

**DA**

Subclass / Remark

(D007S-452-01)  
(D007S-460-01)

Page

2/2

Date

2015/06/08

A

B

C

D

E

Ref.N	Parts.No	Description	品名	Amt.Req
1	DA0201	Sewing Cylinder	圓筒部機殼	1
2	DA0202	Sewing Cylinder Gasket	止油銅墊片	1
3	DA0203	Alignment Pin	調節插銷	1
4	DA0204	Knock Pin	頂出銷	1
5	DA0205	Screw (3/8-24x5.4)	螺絲	1
6	DA0206	Seal Gasket	止油墊片	1
7	DA0207	Cylinder Frame Cover (Front)	前蓋	1
8	DA0208	Screw (1/8-44x7.7)	螺絲	4
9	DA0209	Oil Gauge	油錶	1
10	DA0210	Screw (M22-1.5x5.7)	螺絲	1
11	DA0211	Gasket	橡膠墊片	1
12	DA0212	Seal Gasket	止油墊片	1
13	DA0213	Cylinder Frame Cover (Left)	左蓋	1
14	DA0137	Screw (9/64-40x8)	螺絲	6
15	DA0215	Model Plate	型號銘牌	1
16	DA0216	Cylinder Frame Cover (Upper)	上蓋	1
17	DA0217	Seal Gasket	止油墊片	1
18	DA0218	Screw (1/8-44x6.5)	螺絲	8
19	DA0219	Dust Defender (Upper)	防塵蓋 (上)	1
20	DA0220	Screw (3/32-56x2.1)	螺絲	1
21	DA0221	Dust Defender (Lower)	防塵蓋 (下)	1
22	DA0222	Pin	插銷	2
23	DA0223	Looper Cover Spring Support	彈簧片座	1
24	DA0224	Screw (11/64-40x4.8)	螺絲	1
25	DA0225	Looper Cover Spring	下勾針蓋彈簧片	1
26	DA0226	Screw (9/64-40x4.7)	螺絲	1
27	DA0227	Lopper Cover	下勾針蓋	1
28	DA0228	Pin	插銷	1
29	DA0229	Screw (9/64-40x6.4)	螺絲	1
30	DA0230	Chain-off Cutting Knife	割刀	1
31	DA0231	Chain-off Cutting Knife Guard	割刀固定片	1
32	DA0232	Screw (M4-0.7x4.5)	螺絲	1
33	DA0233	Screw (M4-0.7x5.8)	螺絲	1
34	DA0234	Looper Thread Guide Wire	過線圈	1
35	DA0235	Screw (9/64-40x10)	螺絲	1
36	DA0236	Feed Drive Shaft Cover Gasket	止油墊片	2
37	DA0237	Feed Drive Shaft Cover	止油蓋	2
38	DA0151	Screw (9/64-40x5.6)	螺絲	6
39	DA0239	Cylinder Frame Cover (Upper), C. Set	上蓋組	1

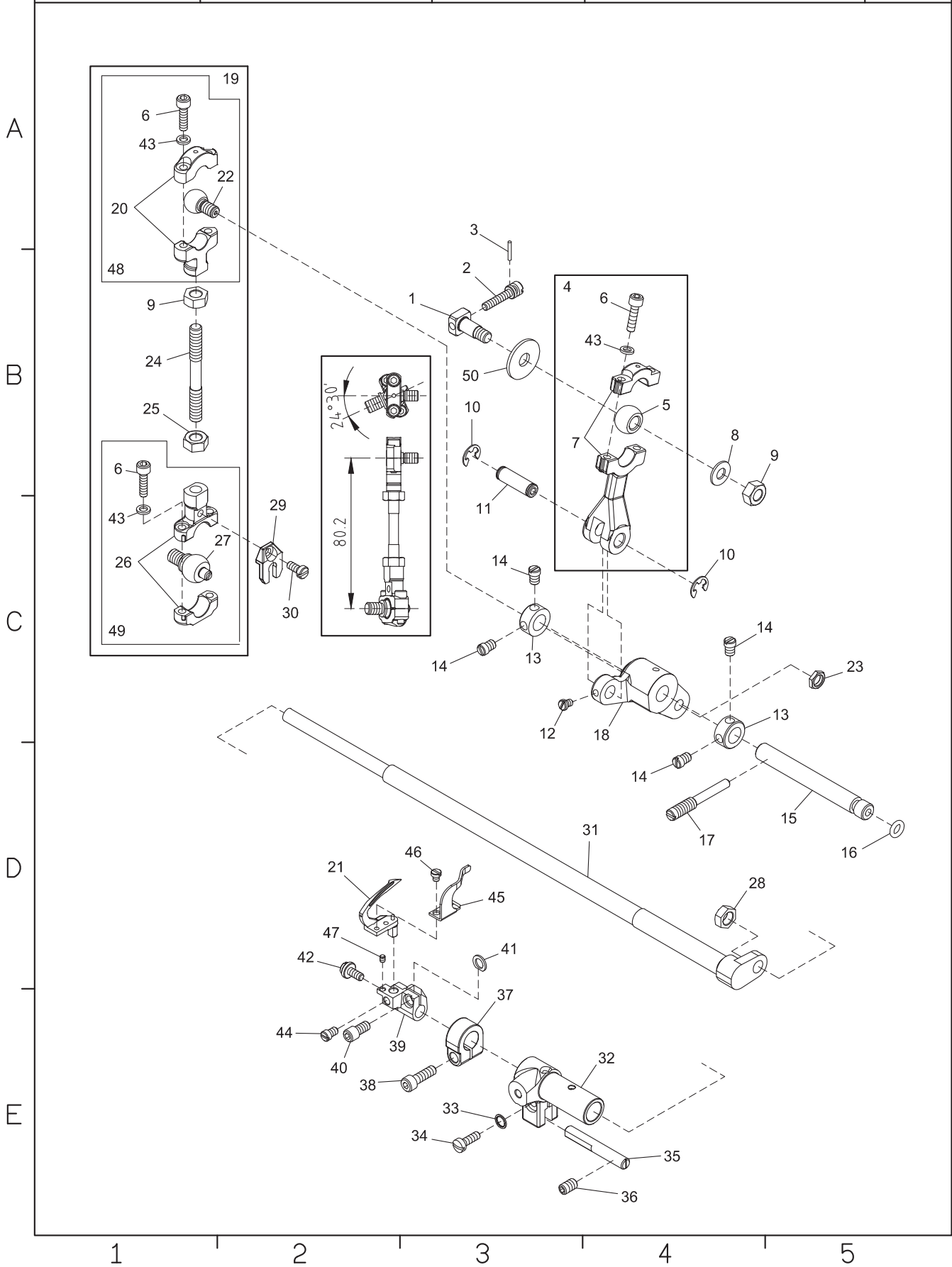
1

2

3

4

5





**SIRUBA**

PARTS LIST

Series

**D007S**

Parts Group

**DF**

Subclass / Remark

Page

1/2

Date

2015/02/11

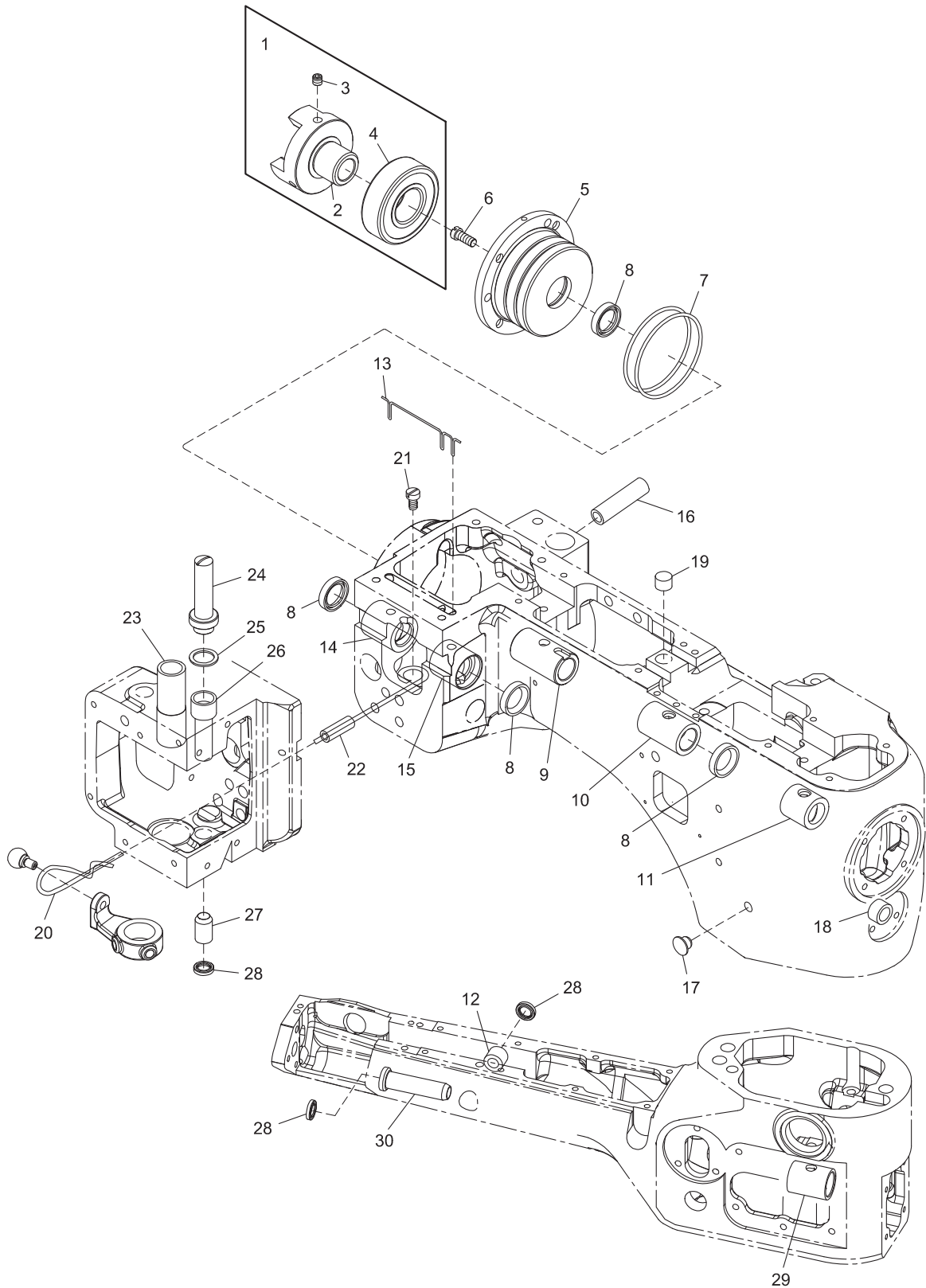
A

B

C

D

E



1

2

3

4

5

**SIRUBA**

PARTS LIST

Series

D007S

Parts Group

DF

Subclass / Remark

Page

1/2

Date

2015/02/11

A

B

C

D

E

Ref.N	Parts.No	Description	品名	Amt.Req
1	DF0401	Adapter, C. Set	軸承組	1
2	DF1305	Adapter	軸承軸心	1
3	DF0403	Screw (M5-0.8x5)	螺絲	2
4	DF0404	Ball Bearing	軸承	1
5	DF1303	Bearing Housing	軸承固定室	1
6	DF0406	Screw(3/16-32x11.8)	螺絲	4
7	DF0407	O-Ring	O型環	2
8	DF0408	Oil Seal	油封	4
9	DF0409	Main Shaft Bushing(Rear)	主軸套管(後)	1
10	DF0410	Main Shaft Bushing(Middle)	主軸套管(中)	1
11	DF0411	Main Shaft Bushing(Front))	主軸套管(前)	1
12	DF0432	Feed Bar Eccentric Pin Bushing	送料具偏心銷套管	1
13	DF0413	Oil Wick(Laced Wire))	油芯	1
14	DF0414	Knife Driving Lever Bushing(Rear)	銅套管(後)	1
15	DF0415	Knife Driving Lever Bushing(Front)	銅套管(前)	1
16	DF0416	Presser Foot Lifter Stop Plunger Bushing	襯套	1
17	DF0417	Seal Plug	油塞	1
18	DF0418	Bushing	襯套	1
19	DF0419	Plug	塞頭	1
20	DF0420	Oil Wick	油芯	1
21	DG1009	Screw (11/64-40x8)	螺絲	1
22	DF0422	Plastic Pipe	塑膠管	1
23	DF0423	Presser Bar Bushing	壓腳套管	1
24	DF0424	Needle Bar Bushing(Upper)Lid	針柱套管(上)蓋	1
25	DF0425	Gasket	墊片	1
26	DF0426	Needle Bar Bushing(Upper)	針柱套管(上)	1
27	DF0427	Needle Bar Bushing(Lower)	針柱套管(下)	1
28	DF0428	Oil Seal	油封	3
29	DF0429	Looper Rocker Shaft Bushing(Front)	下勾針搖桿軸套管(前)	1
30	DF0430	Looper Rocker Shaft Bushing(Rear)	下勾針搖桿軸套管(後)	1

1

2

3

4

5

**SIRUBA**

PARTS LIST

Series

**D007S**

Parts Group

**DF**

Subclass / Remark

Page

2/2

Date

2015/02/11

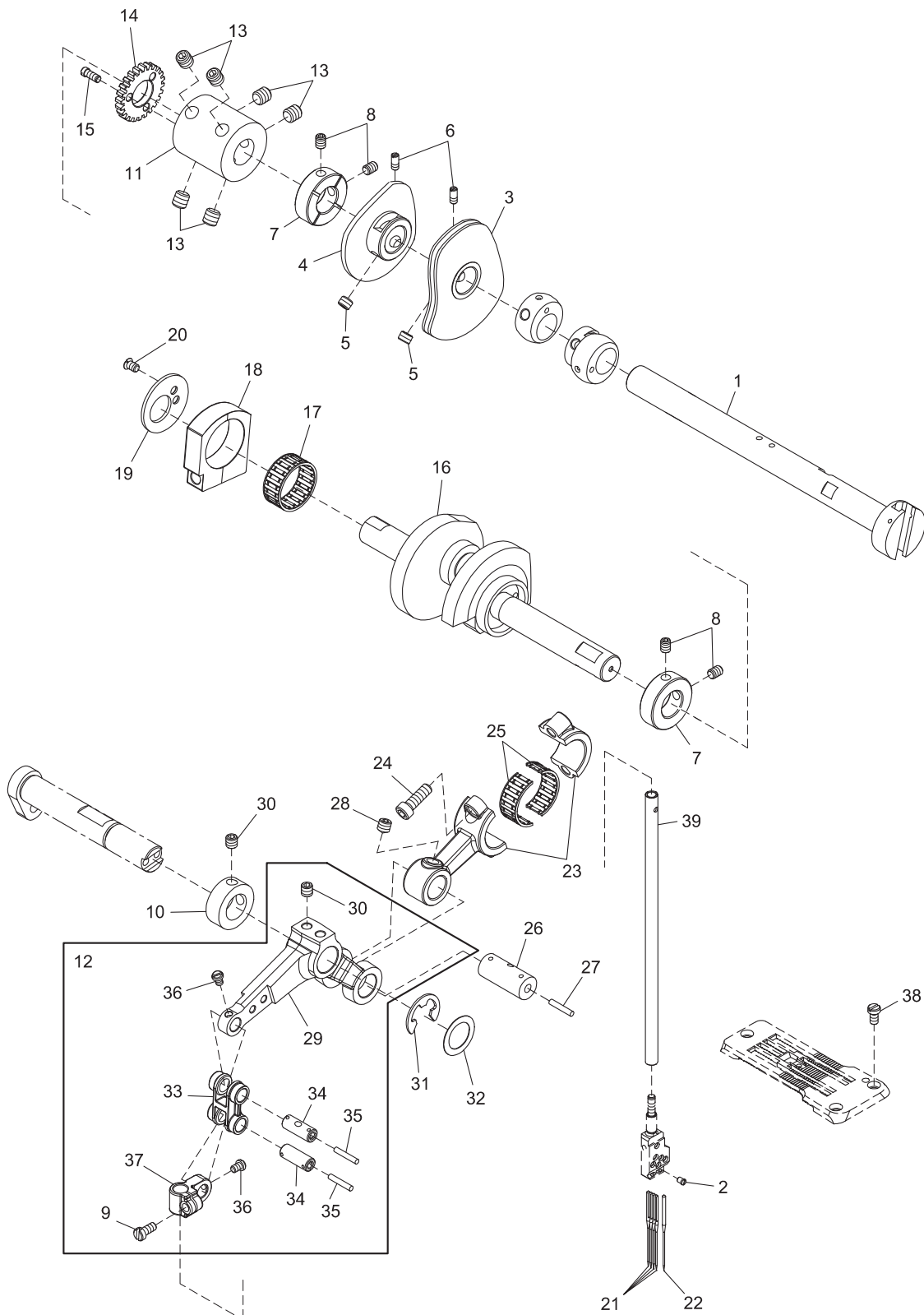
A

B

C

D

E



1

2

3

4

5

**SIRUBA**

PARTS LIST

Series

**D007S**

Parts Group

**DF**

Subclass / Remark

Page

2/2

Date

2015/02/11

A

B

C

D

E

Ref.N	Parts.No	Description	品名	Amt.Req
1	DF0501	Main Shaft	主軸	1
2	DF0543	Screw (3/32-56x2.5)	螺絲	5
3	DF0503	Looper Thread Take-Up	底線提線凸輪	1
4	DF0504	Top Cover Thread Take-Up	上飾線提線凸輪	1
5	DF0505	Screw (7/32-32x3.6)	螺絲	4
6	DF0506	Screw (1/8-44x5.3)	螺絲	2
7	DF0507	Collar	軸環	2
8	DF0508	Screw (11/64-40x5.8)	螺絲	4
9	DF0556	Screw (9/64-40x7.9)	螺絲	1
10	DF0548	Collar	軸環	1
11	DF0511	Main Shaft Coupling	主軸連接套	1
12	DF0547	Needle Bar Lever, C. Set	針柱連桿組	1
13	DF0513	Screw (1/4-28x6.4)	螺絲	6
14	DF0514	Pump Driving Gear	泵浦齒輪	1
15	DF0515	Screw (1/8-44x7.5)	螺絲	3
16	DF1307	Crankshaf	曲軸	1
17	DF0517	Needle Bearing	滾針軸承	1
18	DF0518	Thread Carrier and Hook Driving Rod (Right)	驅動刀組連桿軸承套	1
19	DF0519	Needle Bearing Retaining Plate	滾針軸承扣板	1
20	DA0151	Screw (9/64-40x5.6)	螺絲	2
21	DF0541	Needle	擊針	4
22	DF0542	Retainer	假針	1
23	DF0523	Needle Bar Connecting Rod	針柱連桿	1
24	DF0524	Screw (3/16-32x14)	螺絲	2
25	DF0525	Needle Bearing	滾針軸承	1
26	DF0526	Needle Bar Lever Connecting Rod Pin	針柱槓桿連桿插銷	1
27	DF0527	Oil Wick	油芯	1
28	DF0528	Screw (7/32-32x4)	螺絲	1
29	DF0529	Needle Bar Lever	針柱槓桿	1
30	DF0530	Screw (M5-0.8x5)	螺絲	4
31	DF0531	Retaining Ring	C形扣環	1
32	DF0532	Thrust Ring	墊片	1
33	DF0533	Needle Bar Connecting Link	針柱連桿	1
34	DF0534	Needle Bar Connecting Link Pin	針柱連桿插銷	2
35	DF0535	Oil Wick	吸油繩	2
36	DK0340	Screw(1/8-44x4.5)	螺絲	2
37	DF0537	Needle Bar Connecting Bracket	針柱連結架	1
38	DF0538	Screw (9/64-40x6.4)	螺絲	3
39	DF0539	Needle Bar	針柱	1

1

2

3

4

5



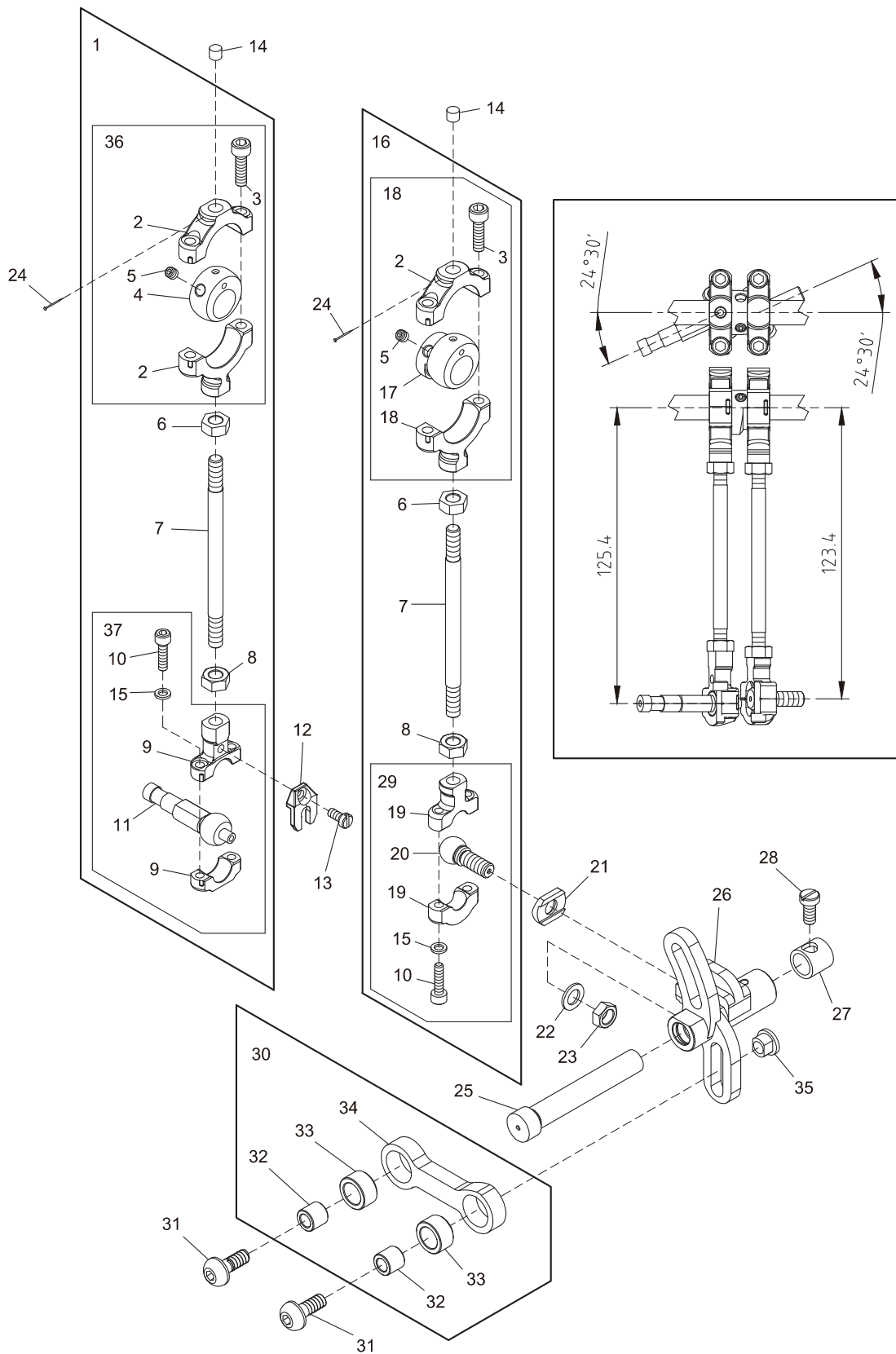
A

B

C

D

E



1

2

3

4

5

**SIRUBA**

PARTS LIST

Series

**D007S**

Parts Group

**DG**

Subclass / Remark

Page

1/2

Date

2015/02/11

A

B

C

D

E

Ref.N	Parts.No	Description	品名	Amt.Req
1	DG0901	Feed Lift Eccentric, C. Set	送料具提升偏心輪組	1
2	DG0902	Feed Lift Connection (Upper)	送料具提升連桿 (上)	2
3	DG0903	Screw (11/64-40x16)	螺絲	4
4	DG0904	Feed Lift Eccentric Ball	送料具提升偏心輪球	1
5	DG0905	Screw (11/64-40x4)	螺絲	4
6	DH0719	Nut (Left-handed Screw)	螺帽	2
7	DG0907	Feed Lift Eccentric Connecting Rod	送料具提升偏心輪連桿	2
8	DH0721	Nut	螺帽	2
9	DE0826	Feed Lift Connection (Lower)	送料具提升連桿 (下)	1
10	DH0718	Screw (M3.5-0.6x14)	螺絲	4
11	DG0911	Feed Lift Connection Ball	送料具提升連桿球	1
12	DE0829	Steady Fork	穩定叉	1
13	DH0711	Screw (M3.5-0.6x7.8)	螺絲	1
14	DG0914	Oil Wick	油芯	2
15	DE0863	Washer	墊片	4
16	DG0916	Feed Drive Eccentric, C. Set	送料具驅動偏心輪組	1
17	DG0917	Feed Drive Eccentric Ball	送料具驅動偏心輪球	1
18	DG0938	Feed Drive Eccentric (Upper), C. Set	送料具提升偏心輪 (上) 組	1
19	DH0723	Feed Drive Connection (Lower)	送料具驅動連桿 (下)	1
20	DG0920	Feed Drive Connection Ball	送料具驅動連桿球	1
21	DG0921	Steady Washer	穩定墊片	1
22	DG0922	Washer	墊片	1
23	DE0828	Nut	螺帽	1
24	DG0924	Pin	固定銷	2
25	DG0925	Feed Drive Shaft	送料具驅動軸	1
26	DG0926	Feed Drive/Looper Avoid Lever	送料具槓桿	1
27	DG0927	Feed Rocker Shaft Bushing	送料具搖桿軸套筒	1
28	DG0928	Screw (3/16-32x10.5)	螺絲	1
29	DG0929	Feed Drive Eccentric (Lower), C. Set	送料具提升偏心輪 (下) 組	1
30	DG0930	Looper Avoid Connecting Rod, C. Set	勾針運動連桿組	1
31	DG0931	Screw (7/32-32x10)	螺絲	2
32	DG0932	Looper Avoid Connecting Rod Bushing	連桿軸承襯套	2
33	DG0933	Needle Bearing	軸承	2
34	DG0934	Looper Avoid Connecting Rod	勾針運動連桿	1
35	DG0935	Looper Avoid Adjusting Nut	調整螺帽	1
36	DG0936	Feed Lift Connection (Upper), C. Set	送料具提升連桿 (上) 組	1
37	DG0937	Feed Lift Connection (Lower), C. Set	送料具提升連桿 (下) 組	1

1

2

3

4

5

**SIRUBA**

PARTS LIST

Series

**D007S**

Parts Group

**DG**

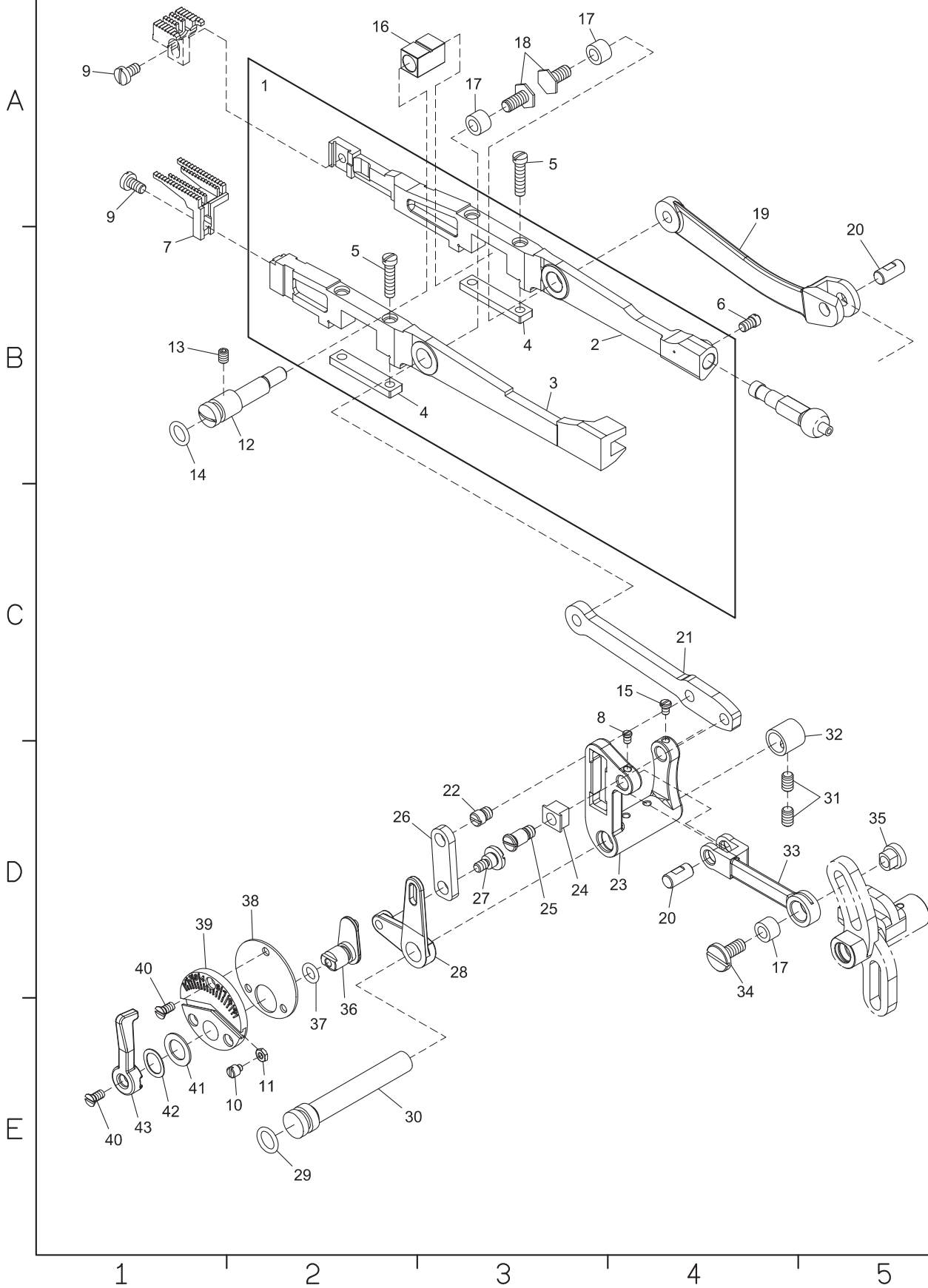
Subclass / Remark

Page

2/2

Date

2015/02/11





**SIRUBA**

PARTS LIST

Series

**D007S**

Parts Group

**DH**

Subclass / Remark

(D007S-452-01) (D007S-460-01)  
(D007S-452-02) (D007S-460-02)

Page

1/2

Date

2015/06/08

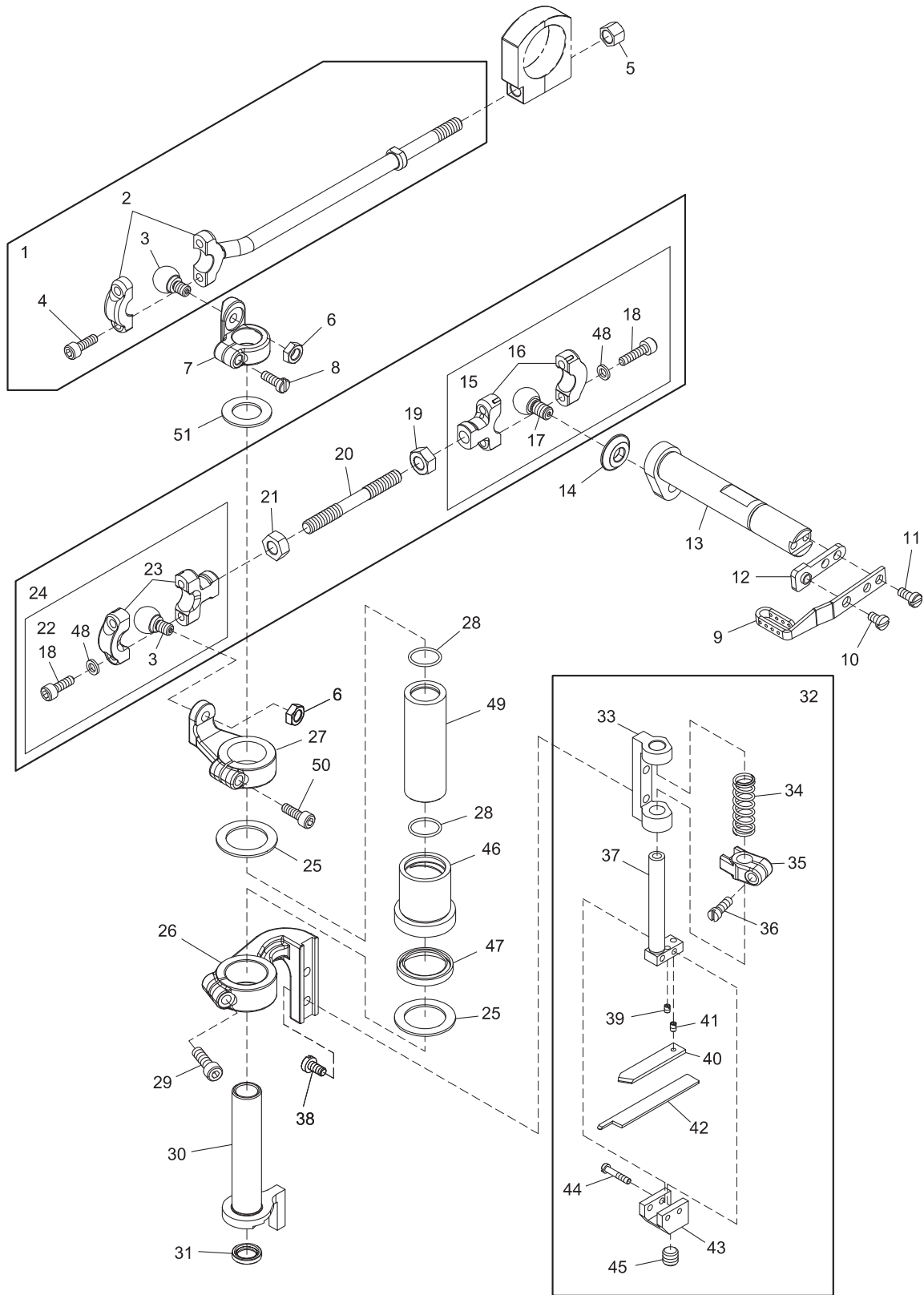
A

B

C

D

E



1

2

3

4

5

**SIRUBA**

PARTS LIST

Series

**D007S**

Parts Group

**DH**

Subclass / Remark

(D007S-452-01) (D007S-460-01)  
(D007S-452-02) (D007S-460-02)

Page

1/2

Date

2015/02/11

A

B

C

D

E

Ref.N	Parts.No	Description	品名	Amt.Req
1	DH0701	Carrier/Hook Driving Rod (Left), C. Set	上飾線連桿組	1
2	DH0702	Carrier Hook Driving Rod (Left)	上飾線連桿	1
3	DH0703	Rod Ball (Left)	球頭	2
4	DH0704	Screw (9/64-40x10)	螺絲	2
5	DH0705	Nut	螺帽	1
6	DH0706	Nut	螺帽	2
7	DH0816	Carrier Hook Sleeve Lever	上飾線連桿套筒	1
8	DA0235	Screw (9/64-40x10)	螺絲	1
9	DH0709	Needle Thread Take-up	針線搖臂過線孔	1
10	DH0710	Screw (M3.5-0.6x6)	螺絲	1
11	DH0711	Screw (M3.5-0.6x7.8)	螺絲	2
12	DH0712	Bracket	固定片	1
13	DH0713	Knife Driving Lever	上切刀傳動槓桿	1
14	DH0714	Steady Washer	穩定墊片	1
15	DH0715	Knife Driving Connection (Right), C. Set	上切刀傳動連結桿 (右) 組	1
16	DH0716	Knife Driving Connection (Right)	上切刀傳動連結桿 (右)	1
17	DH0717	Knife Driving Connection Ball (Right)	上切刀傳動連結球 (右)	1
18	DH0718	Screw (M3.5-0.6x14)	螺絲	4
19	DH0719	Nut (Left-handed Screw)	螺帽	1
20	DH0720	Looper Driving Connection Rod	下勾針驅動連結桿	1
21	DH0721	Nut	螺帽	1
22	DH0722	Knife Driving Connection (Left), C. Set	上切刀傳動連結桿 (左) 組	1
23	DH0723	Feed Drive Connection (Lower)	送料具驅動連桿 (下)	1
24	DH0724	Knife Driving Connection , C. Set	上切刀傳動連結桿組	1
25	DH0825	Bushing Ring	襯套墊片	2
26	DH0726	Knife Holder Bracket	上切刀固定座托架	1
27	DH0814	Knife Holder Bracket Arm	上切刀托架擺臂	1
28	DH0728	Oil Seal	止油圈	2
29	DJ1427	Screw (M4-0.7x12)	螺絲	1
30	DH0730	Carrier/Hook Driving Sleeve	上飾線連桿柱	1
31	DH0731	Oil Seal	油封	1
32	DH0732	Knife Holder Guide Collar, C. Set	活動刀組	1
33	DH0733	Knife Holder Shank Support	上切刀固定座支架	1
34	DH0734	Knife Holder Spring	上切刀固定座彈簧	1
35	DH0735	Knife Holder Guide Collar	上切刀彈簧固定座	1
36	DH0736	Screw (9/64-40x10.4)	螺絲	1
37	DH0737	Knife Holder Shank	上切刀固定座柄	1
38	DA0143	Screw (9/64-40x7.3)	螺絲	2
39	DH0739	Screw (3/32-56x3.8)	螺絲	1
40	DH0740	Knife Support	上切刀支架	1
41	DH0741	Screw (3/32-56x1.2)	螺絲	1
42	P90701	Upper Knife	上切刀片	1
43	DH0743	Knife Holder	上切刀固定座	1
44	DH0744	Screw (3/32-56x7)	螺絲	2
45	DH0745	Screw (1/4-40x6)	螺絲	1
46	DH0821	Thread Carrier and Hook Sleeve Bushing	切刀固定座托架襯套	1
47	DH0823	Oil Seal	油封	1
48	DE0863	Washer	墊片	4
49	DH0749	Knife Driving Shaft	上切刀傳動軸	1
50	DE0838	Screw (11/64-40x13)	螺絲	1
51	DH0751	Bushing Ring	襯套墊片	1

1

2

3

4

5

<b>SIRUBA</b> PARTS LIST	Series	Parts Group	Subclass / Remark	Page
	D007S	DH	D007S-452-02H D007S-460-02H	2/2
				Date
				2015/02/11

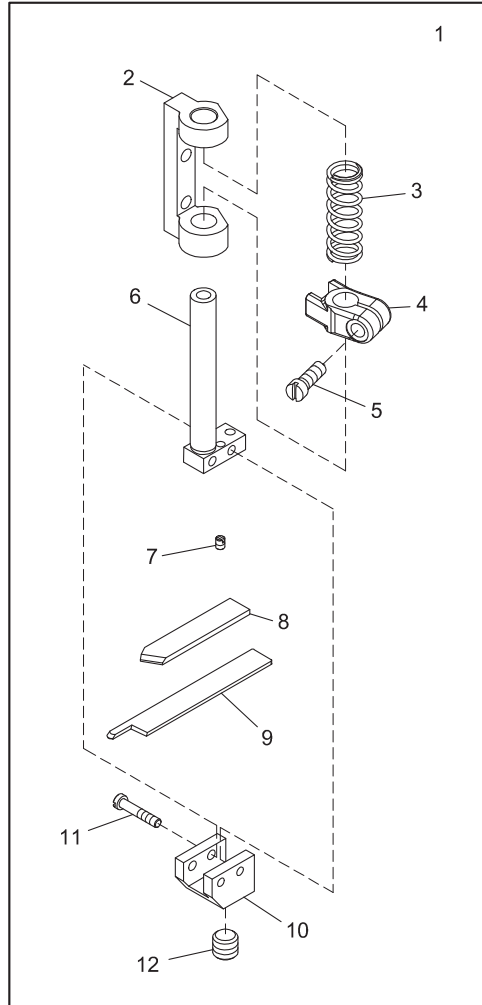
A

B

C

D

E



1

2

3

4

5

**SIRUBA**

PARTS LIST

Series

**D007S**

Parts Group

**DH**

Subclass / Remark

D007S-452-02H

D007S-460-02H

Page

2/2

Date

2015/02/11

A

B

C

D

E

Ref.N	Parts.No	Description	品 名	Amt.Req
1	DH2101	Knife Holder Guide Collar, C. Set	活動刀組	1
2	DH0733	Knife Holder Shank Support	上切刀固定座支架	1
3	DH0734	Knife Holder Spring	上切刀固定座彈簧	1
4	DH0735	Knife Holder Guide Collar	上切刀彈簧固定座	1
5	DH0736	Screw (9/64-40x10.4)	螺絲	1
6	DH2106	Knife Holder Shank	上切刀固定座柄	1
7	DH0739	Screw (3/32-56x3.8)	螺絲	1
8	DH2108	Knife Support	上切刀支架	1
9	DH2109	Knife Support	上切刀支架	1
10	DH2110	Knife Holder	上切刀固定座	1
11	DH2111	Screw (3/32-56x7)	螺絲	2
12	DH0745	Screw (1/4-40x6)	螺絲	1

1

2

3

4

5



**SIRUBA**

PARTS LIST

Series

**D007S**

Parts Group

**DJ**

Subclass / Remark

Page

1/1

Date

2015/02/11

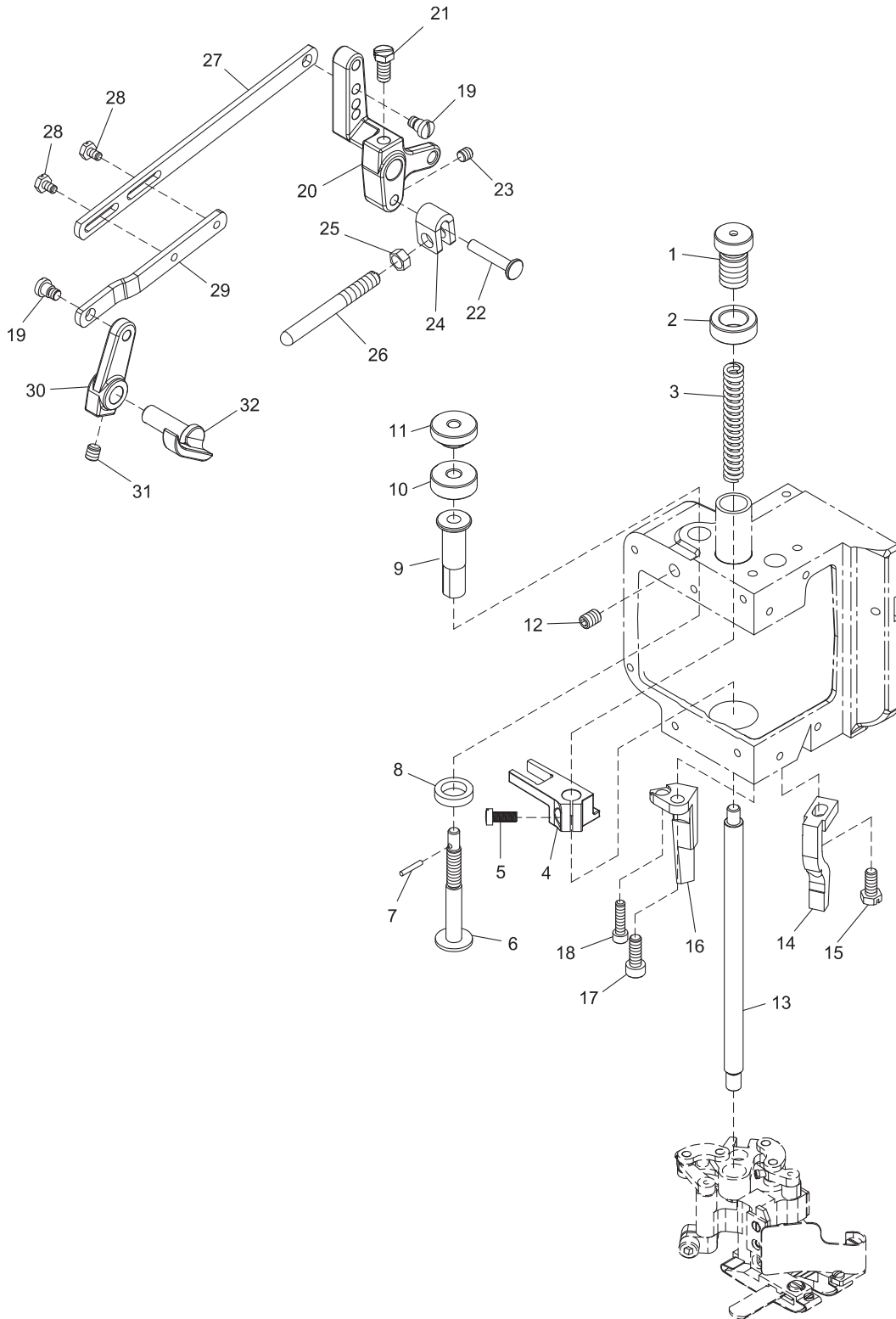
A

B

C

D

E



1

2

3

4

5

**SIRUBA**

PARTS LIST

Series

**D007S**

Parts Group

**DJ**

Subclass / Remark

Page

1/1

Date

2015/02/11

A

B

C

D

E

Ref.N	Parts.No	Description	品名	Amt.Req
1	DJ0601	Adjusting Screw (M12-1x17)	調節螺絲	1
2	DJ0602	Lock Nut	保險螺帽	1
3	DJ0603	Presser Spring	壓腳彈簧	1
4	DJ0604	Presser Bar Connecting Bracket	壓腳推桿連結架	1
5	DA0103	Screw (11/64-40x10)	螺絲	1
6	DJ0606	Presser Foot Adjusting Screw	壓腳調節螺絲	1
7	DJ0607	Pin	插銷	1
8	DJ0608	Connecting Bracket Cushion	連結架襯墊	1
9	DJ0609	Presser Bar Guide	壓腳導件	1
10	DJ0610	Lock Nut	保險螺帽	1
11	DJ0611	Adjusting Nut	調節螺帽	1
12	DJ0612	Screw (M6-1x8)	螺絲	1
13	DJ0613	Presser Bar	壓腳推桿	1
14	DJ0643	Presser Foot Guide (Right)	壓腳導件 ( 右 )	1
15	DJ0644	Screw (M5-0.8x11.7)	螺絲	1
16	DJ0747	Presser Foot Guide (Left)	壓腳導件 ( 左 )	1
17	DJ0646	Screw (M5-0.8x14)	螺絲	1
18	DJ1427	Screw (M4-0.7x12)	螺絲	1
19	DJ0650	Screw (3/16-32x4)	螺絲	2
20	DJ0651	Presser Bar Lifter Lever (Large)	壓腳升降槓桿 ( 大 )	1
21	DJ0652	Screw (7/32-32x11.8)	螺絲	1
22	DJ0653	Stop Plunger Segment Pin	插銷	1
23	DF0403	Screw (M5-0.8x5)	螺絲	1
24	DJ0655	Stop Plunger Segment	插銷套	1
25	DJ0656	Nut	螺帽	1
26	DJ0657	Presser Foot Lifter Stop Plunger	壓具抬起停車柱	1
27	DJ0658	Presser Foot Lifter Lever Link (Long)	壓腳升降槓桿連桿 ( 長 )	1
28	DJ0659	Screw (9/64-40x6.1)	螺絲	2
29	DJ0660	Presser Foot Lifter Lever Link (Short)	壓腳升降槓桿連桿 ( 短 )	1
30	DJ0661	Presser Bar Lifter Lever (Small)	壓腳升降槓桿 ( 小 )	1
31	DJ0662	Screw (7/32-32x6)	螺絲	1
32	DJ0663	Presser Bar Lifter Lever	壓腳拉桿	1

1

2

3

4

5

**SIRUBA**

PARTS LIST

Series

**D007S**

Parts Group

**DK**

Subclass / Remark

Page

1/3

Date

2015/02/11

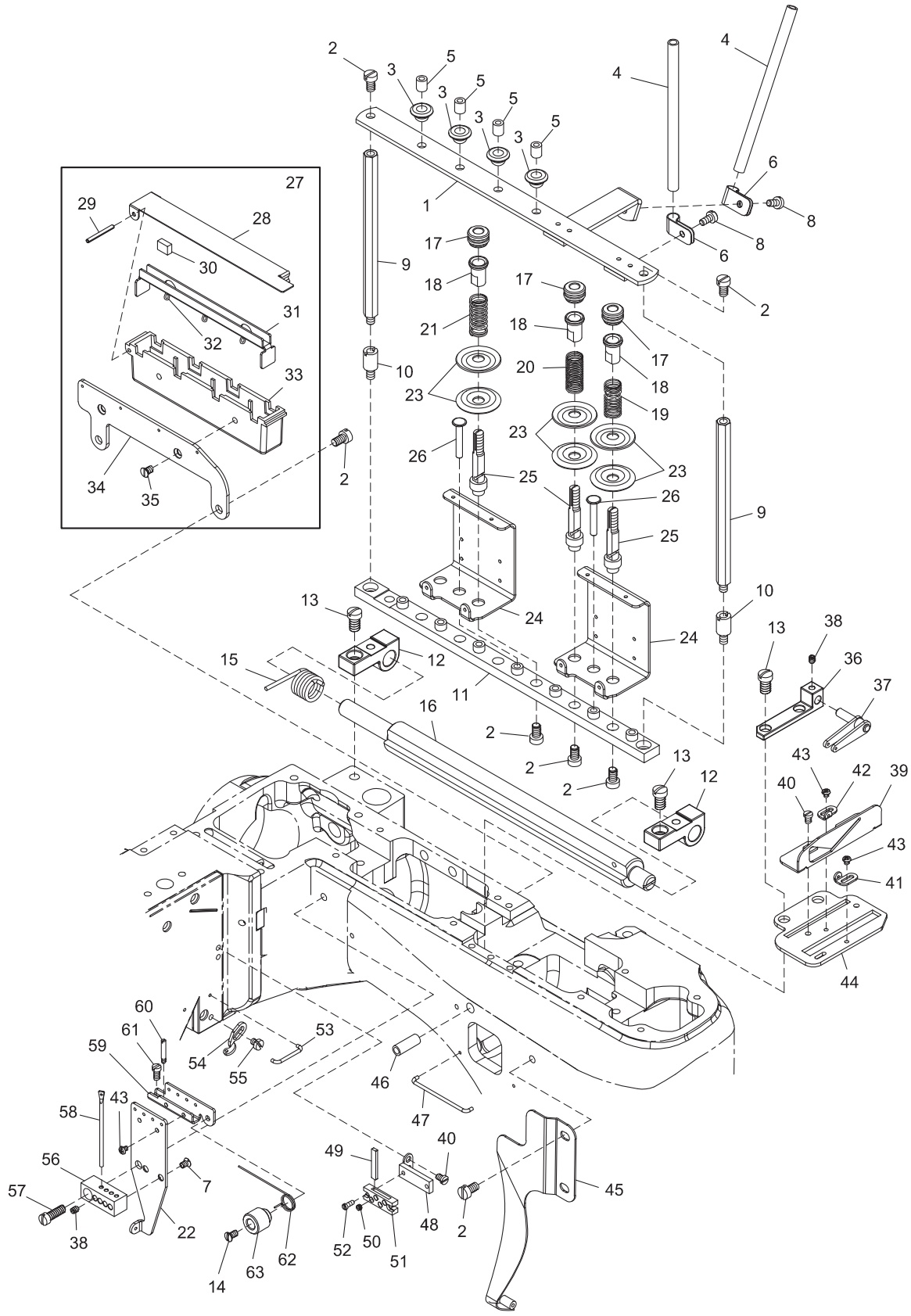
A

B

C

D

E



1

2

3

4

5

**SIRUBA**

PARTS LIST

Series

**D007S**

Parts Group

**DK**

Subclass / Remark

Page

1/3

Date

2015/02/11

A

B

C

D

E

Ref.N	Parts.No	Description	品名	Amt Req
1	DK0401	Thread Guide Plate	線架板	1
2	DG1009	Screw (11/64-40x8)	螺絲	12
3	DK0403	Thread Eyelet Bushing	過線孔套	4
4	DK0304	Thread Pipe (Long)	過線管	2
5	DK0404	Thread Eyelet	過線孔	4
6	DK0406	Thread Pipe Stay	管束	2
7	DK0367	Screw (1/8-44x4.4)	螺絲	2
8	DA0143	Screw (9/64-40x7.3)	螺絲	2
9	DK0309	Thread Guide Plate Support	線架板支撐棒	2
10	DK0310	Screw (11/64-40x7)	螺絲	2
11	DK0311	Thread Tension Support	上線張力固定座	1
12	DK0312	Thread Tension Support Bracket	上線張力固定座支架	2
13	DK0313	Screw (7/32-32x9.3)	螺絲	4
14	DK0366	Screw (1/8-44x5.4)	螺絲	1
15	DK0315	Tension Release Shaft Spring	張力釋放軸彈簧	1
16	DK0416	Tension Release Shaft	張力釋放軸	1
17	DK0317	Nut	彈簧調整鈕	6
18	DK0318	Tension Spring Bushing	張力彈簧調整固定軸	6
19	DK0319	Looper Thread Tension Spring	下勾針張力彈簧	1
20	DK0320	Top Cover Thread Tension Spring	上飾線張力彈簧	1
21	DK0321	Needle Thread Tension Spring	針線張力彈簧	4
22	DK0364	Needle Bracket	過線支撐架	1
23	DK0323	Thread Tension Disc	張力調整盤	12
24	DK0324	Thread Tension Disc Eyelet	張力調整過線架	3
25	DK0325	Tension Post (Short)	張力彈簧支柱(短)	6
26	DK0326	Tension Release Pin	張力釋放插銷	7
27	DK0327	SPDevice, C. Set	針線吸油組	1
28	DK0328	Oil Cup Lip	矽油儲存槽蓋	1
29	DK0329	Hinge Pin	鉸鏈插銷	1
30	DK0330	SP Felt	SP吸油氈	4
31	DK0331	SP Felt Stay	SP吸油氈支柱	1
32	DK0332	Oil Wick	油芯	1
33	DK0333	SP Container	矽油儲存槽	1
34	DK0334	SP Container Support	矽油儲存槽固定座	1
35	DA0151	Screw (9/64-40x5.6)	螺絲	2
36	DK0336	Thread Take-up Eyelet Holder	提線桿託架	1
37	DK0337	Thread Take-up Eyelet	提線桿	1
38	DK0338	Screw (1/8-44x4)	螺絲	5
39	DK0339	Looper Thread Take-up Guide	下勾針提線桿護架	1
40	DK0340	Screw(1/8-44x4.5)	螺絲	4
41	DK0341	Looper Thread Take-up Eyelet (Front)	下勾針提線桿(前)	1
42	DK0342	Looper Thread Take-up Eyelet (Rear)	下勾針提線桿(後)	1
43	DK0343	Screw (3/32-56x3)	螺絲	4
44	DK0344	Eyelet Supporting Plate	提線桿固定板	1
45	DK0345	Looper Thread Guard	下勾針線導架	1
46	DK0346	Top Cover Thread Pipe	上飾線過線導管	1
47	DK0347	Looper Thread Guide Wire (Upper)	下勾針線導架金屬線	1

1

2

3

4

5

**SIRUBA**

PARTS LIST

Series

**D007S**

Parts Group

**DK**

Subclass / Remark

Page

2/3

Date

2015/02/11

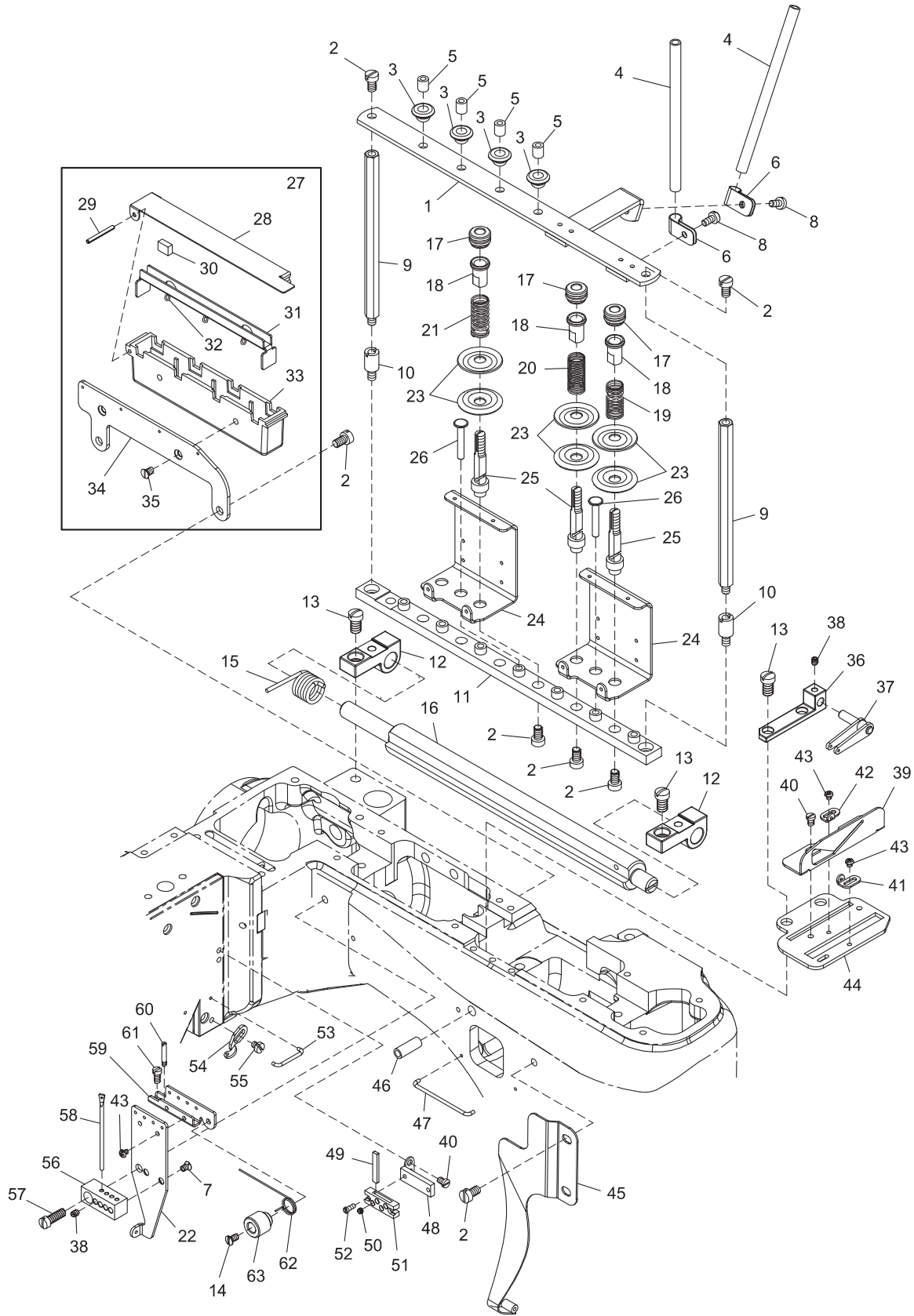
A

B

C

D

E



1

2

3

4

5

**SIRUBA**

PARTS LIST

Series

D007S

Parts Group

DK

Subclass / Remark

Page

2/3

Date

2015/02/11

Ref.N	Parts.No	Description	品 名	Amt.Req
48	DK0348	Needle Thread Strike-off Pin Holder Plate	過線張力固定板	1
49	DK0349	Needle Thread Strike-off Pin	過線張力調整片	4
50	DK0350	Screw (1/8-44x2)	螺絲	4
51	DK0351	Needle Thread Strike-off Pin Holder Bracket	過線張力固定架	1
52	DK0352	Screw (3/32-56x5.7)	螺絲	2
53	DK0353	Needle Thread Guide Wire	針線導架金屬線	1
54	DK0354	Head Cover Thread Eyelet	上飾線過線片	1
55	DK0355	Screw (1/8-44x4)	螺絲	1
56	DK0356	Needle Thread Eyelet Holder	針線張力調整桿座	1
57	DK0357	Screw (11/64-40x13)	螺絲	1
58	DK0358	Needle Thread Eyelet	針線張力調整桿	4
59	DK0359	Stitch Unlocker Mounting Bracket	跳線彈簧架	1
60	DK0360	Screw (3/32-56x3)	螺絲	1
61	DK0361	Screw (1/8-44x6.4)	螺絲	1
62	DK0362	Stitch Unlocking Spring	跳線彈簧	1
63	DK0363	Stitch Unlocking Spring Holder	跳線彈簧調整固定鈕	1

A

B

C

D

E

1

2

3

4

5

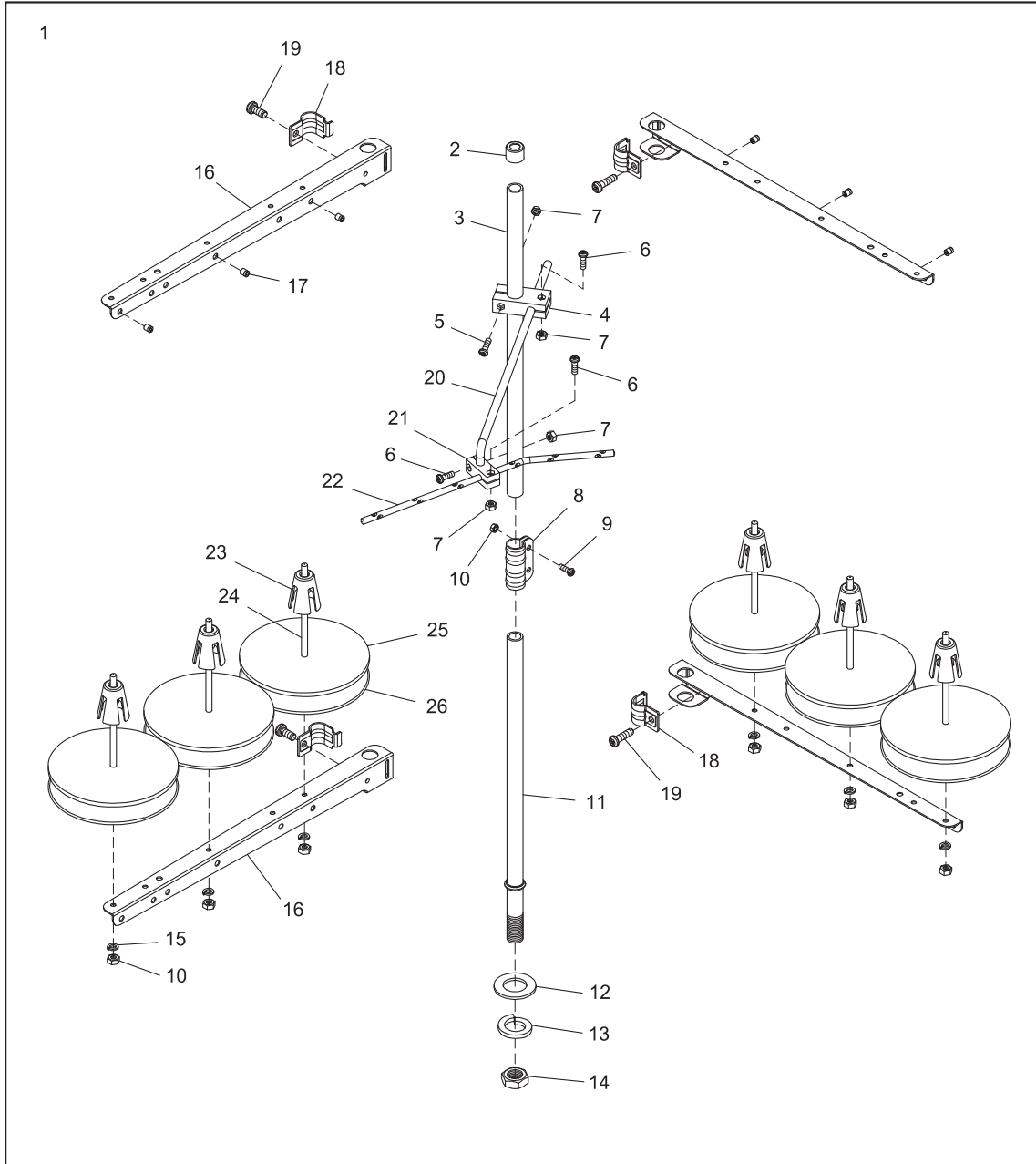
A

B

C

D

E



**SIRUBA**

PARTS LIST

Series

D007S

Parts Group

DK

Subclass / Remark

Page

3/3

Date

2015/02/11

A

B

C

D

E

Ref.N	Parts.No	Description	品名	Amt.Req
1	DK1601	Thread Stand, C. Set(6 Spools Type)	線架(六線用)	1
2	DK1602	Column Cap	柱頭蓋	1
3	DK1603	Column Pipe(Upper)	上線柱	1
4	DK1604	Thread Guide Holder(Large)	過線桿固定座(大)	1
5	DK1605	Screw(M4-0.7×20)	螺絲	1
6	DK1606	Screw(M4-0.7×12)	螺絲	3
7	DK1607	Nut	螺帽	4
8	DK1608	Column Pipe Connector	線柱接頭	1
9	DK1609	Screw(M5-0.8×13)	螺絲	2
10	DK1610	Nut	螺帽	8
11	DK1611	Column Pipe(Lower)	下線柱	1
12	DK1612	Washer	墊片	1
13	DK1613	Spring Washer	彈簧墊片	1
14	DK1614	Nut	螺帽	1
15	DK1615	Spring Washer	彈簧墊片	6
16	DK1616	Thread Hanger(3 Spools Type)	3孔過線吊臂	4
17	DK1617	Thread Eyelet	過線孔	6
18	DK1618	Thread Hanger Holder	過線吊臂固定座	4
19	DK1619	Screw(M6-1×15)	螺絲	4
20	DK1620	Thread Guide Arm	過線桿連接臂	1
21	DK1621	Thread Guide Holder(Small)	過線固定座(小)	1
22	DK1622	Thread Guide(6 Spools Type)	6孔過線孔	1
23	DK1623	Spool Cushion	線軸避震座	6
24	DK1624	Spool Pin	線軸柱	6
25	DK1625	Spool Mat	線軸墊	6
26	DK1626	Spool Seat Disc	線軸底盤	6

1

2

3

4

5



**SIRUBA**

PARTS LIST

Series

**D007S**

Parts Group

**DL**

Subclass / Remark

Page

1/1

Date

2015/02/11

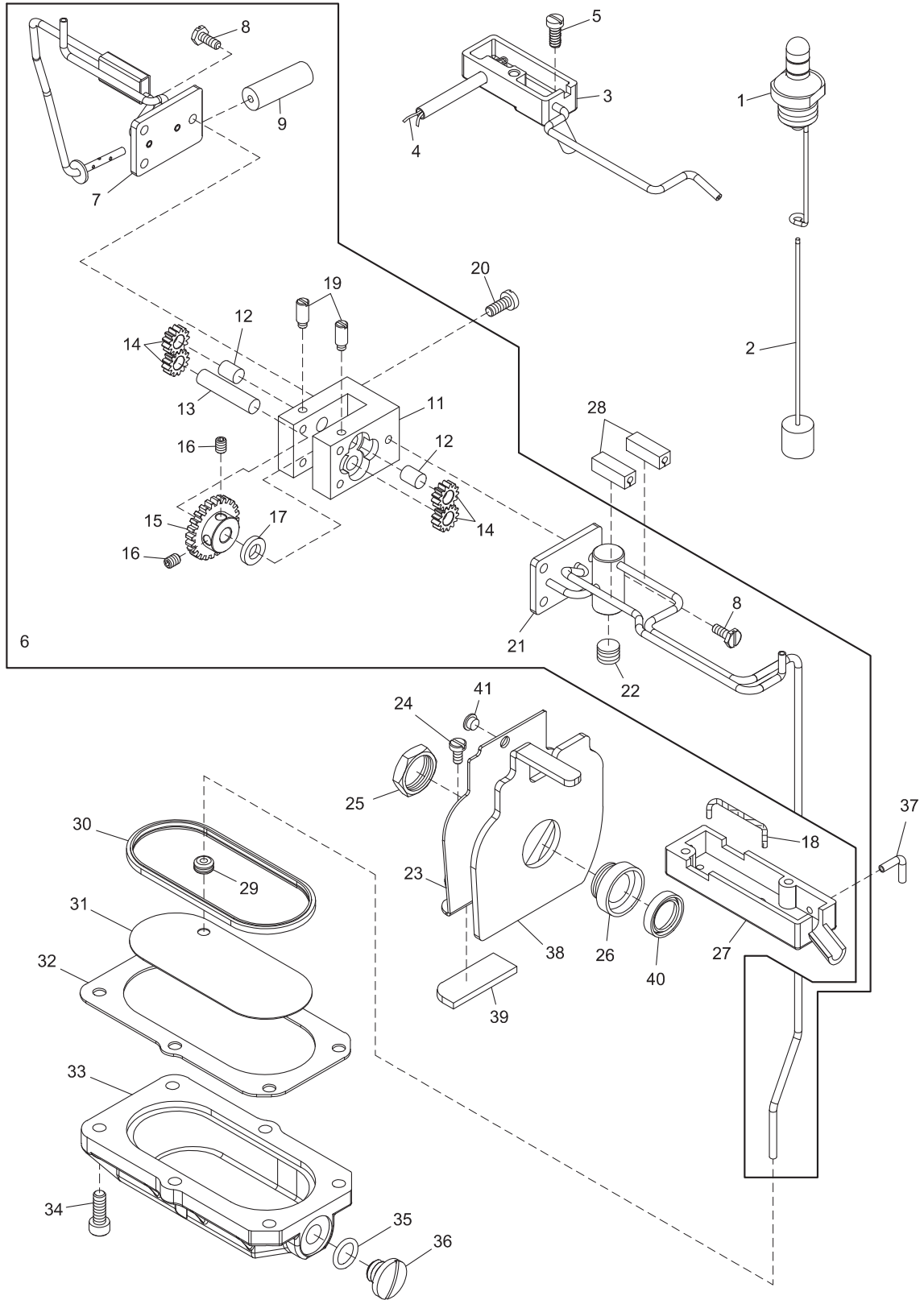
A

B

C

D

E



1

2

3

4

5

**SIRUBA**

PARTS LIST

Series

**D007S**

Parts Group

**DL**

Subclass / Remark

Page

1/1

Date

2015/02/11

A

B

C

D

E

Ref.N	Parts.No	Description	品名	Amt.Req
1	DL1101	Crank Chamber Oil Gauge Unit	油錶	1
2	DL1102	Oil Height Indicator	油量指示棒	1
3	DL1103	Oil Receiver (Rear)	油量接收器 (後)	1
4	DL1104	Oil Wick	油芯	1
5	DA0103	Screw (11/64-40x10)	螺絲	1
6	DL1106	Pump, C. Set	油泵組	1
7	DL1107	Pump Housing Cover (Rear) Unit	吸油管組 (後)	1
8	DL1108	Screw (9/64-40x9.7)	螺絲	6
9	DL1109	In-take Filter	吸油氈	1
10	DL0220	Seal Plug(Ø4.9x4.3)	止油膠塞	1
11	DL1111	Pump Housing	油泵室	1
12	DL1112	Pump Gear Shaft (Short)	油泵齒輪 (短)	2
13	DL1113	Pump Gear Shaft (Long)	油泵齒輪 (長)	1
14	DL1114	Oil Pump Gear	油泵齒輪	4
15	DL1115	Pump Driven Gear	油泵驅動齒輪	1
16	DF0508	Screw (11/64-40x5.8)	螺絲	2
17	DF0428	Oil Seal	油封	1
18	DL1118	Oil Wick	油蕊	1
19	DL1119	Screw (9/64-40x3)	螺絲	2
20	DL1120	Screw (11/64-40x10)	螺絲	2
21	DL1121	Pump Housing Cover (Front) Unit	吸油管組 (前)	1
22	DL1122	Screw (M10-1.5x6.1)	螺絲	1
23	DL1123	Thread Take-up Oil Defender Unit	防油板	1
24	DA0143	Screw (9/64-40x7.3)	螺絲	1
25	DL1125	Nut	螺帽	1
26	DL1126	Screw	螺絲	1
27	DL1127	Oil Receiver (Front)	油量接收器 (前)	1
28	DL1142	Oil Tube Support	防油套	2
29	DL1129	Rubber Bushing	橡膠套筒	1
30	DL1130	Oil Filter Screen Rubber Seal	過濾油網橡膠油封	1
31	DL1131	Oil Filter Screen	過濾油網	1
32	DL1132	Oil Reservoir Gasket	油槽防油墊	1
33	DL1133	Oil Reservoir	油槽	1
34	DJ0646	Screw (M5-0.8x14)	螺絲	6
35	DA0105	O-ring (P10)	O型橡膠環	1
36	DA0129	Drain Hole Screw (3/8-24x8)	止油螺絲	1
37	DL1137	Copper Tube	銅管	1
38	DL1138	Thread Take-up Oil Defender Unit	防油板氈	1
39	DL1139	Thread Take-up Oil Defender Unit	防油板氈	1
40	DF0408	Oil Seal	油封	1

1

2

3

4

5

**SIRUBA**

PARTS LIST

Series

**D007S**

Parts Group

**DY**

Subclass / Remark

Page

1/1

Date

2015/06/08

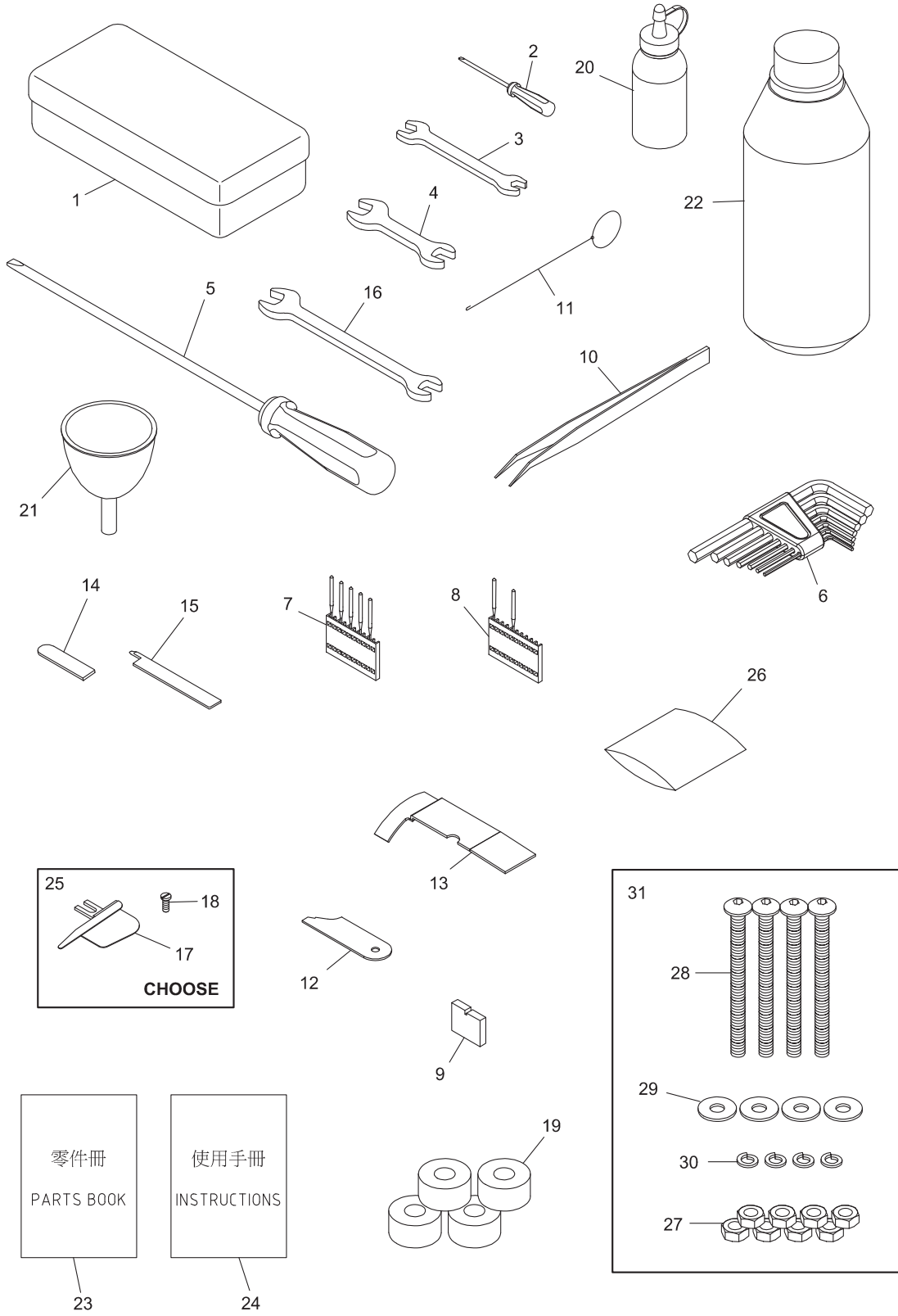
A

B

C

D

E



1                      2                      3                      4                      5

**SIRUBA**

PARTS LIST

Series

D007S

Parts Group

DY

Subclass / Remark

Page

1/1

Date

2015/06/08

A

B

C

D

E

Ref.N	Parts.No	Description	品名	Amt.Req
1	DY1501	Attachment Box	附件盒	1
2	DY1502	Screwdriver	螺絲起子	1
3	DY1503	Wrench (5.5mm-7mm)	板手 (5.5mm-7mm)	1
4	DY1504	Wrench (8mm-10mm)	板手 (8mm-10mm)	1
5	DY1505	Screwdriver	螺絲起子	1
6	DY1506	Hexagonal Wrench, C. Set	六角板手組	1
7	DF0541	Needle	擊針	5
8	DF0542	Retainer	假針	2
9	DY2506	Height Rule	高度定規	1
10	DY1510	Thread Tweezers	穿線夾	1
11	DY1511	Threading Wire	穿線鐵絲	1
12	DY2505	Distance Rule	退距定規	1
13	DY2508	Parallel Rule	平行定規	1
14	P90401	Lower Knife	下切刀	1
15	P90701	Upper Knife	上切刀片	1
16	DY1516	Wrench (8mm-10mm)	板手 (8mm-10mm)	1
17	DY1517	Folder	導布器	1
18	DY1518	Screw (1/8-44x13)	螺絲	1
19	DY2538	Supporting Block Rubber Cushion	避震膠墊	4
20	DY1520	Oiler	油壺	1
21	DY1521	Funnel	漏斗	1
22	DY1522	Oil	潤滑油	1
23	DY1523	Parts List	零件冊	1
24	DY1524	Instruction Manual	說明書	1
25	DY1525	Folder , C. Set	導布器組	1
26	DY1526	Drier	乾燥劑	1
27	DY1527	Nut	螺帽	8
28	DY1528	Screw (M8-1.25x100)	螺絲	4
29	DY1529	Washer	墊片	4
30	DY1530	Spring Washer	彈簧墊片	4
31	DY1531	Screw, C. Set	螺絲組	1

1

2

3

4

5

**SIRUBA**

PARTS LIST

Series

**D007S**

Parts Group

**DUT**

Subclass / Remark

Page

1/9

Date

2015/06/22

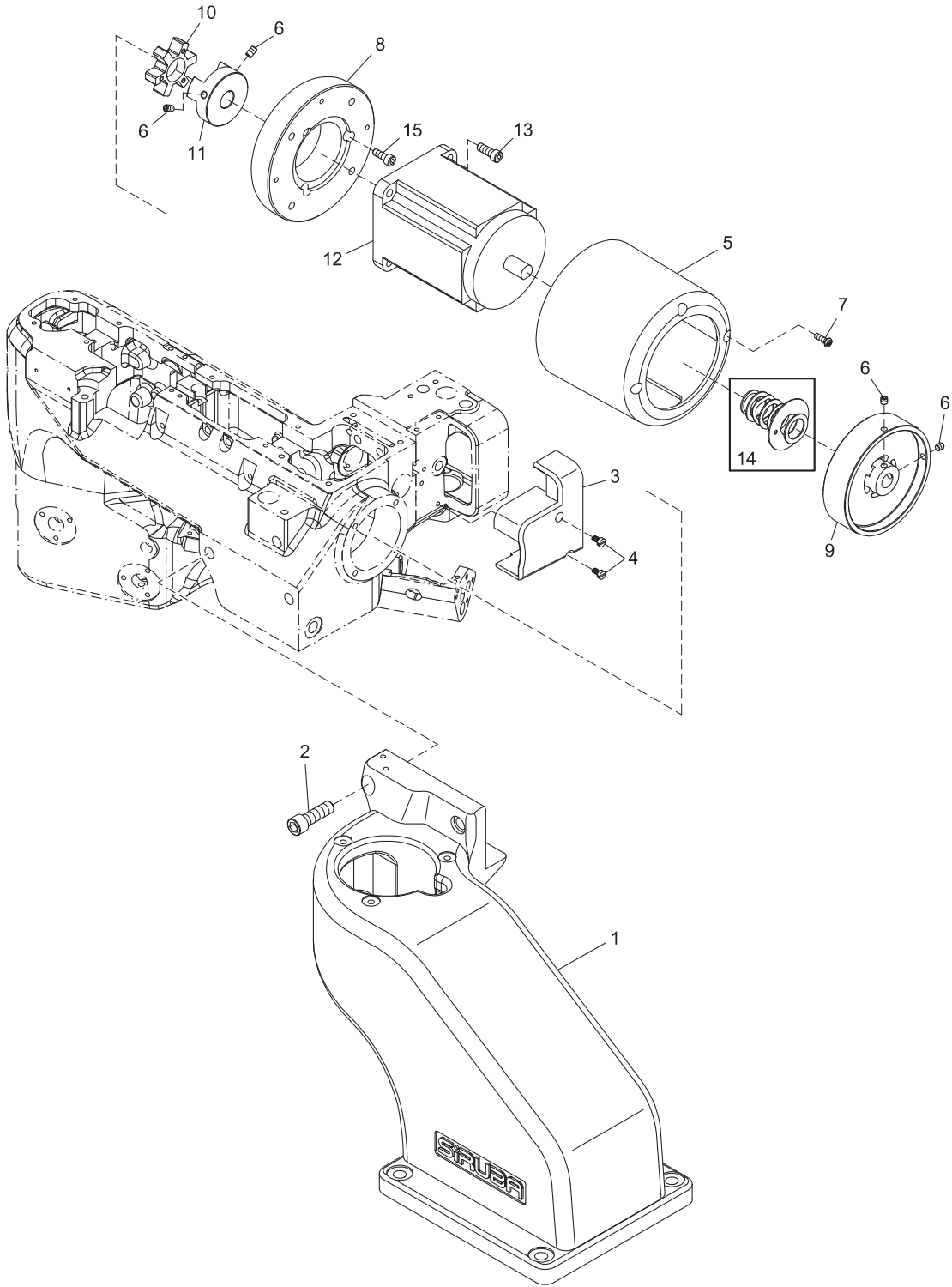
A

B

C

D

E



1

2

3

4

5

**SIRUBA**

PARTS LIST

Series

**D007S**

Parts Group

**DUT**

Subclass / Remark

Page

1/9

Date

2015/06/22

A

B

C

D

E

Ref.N	Parts.No	Description	品名	Amt.Req
1	DUT1301	Sewing Maching Supprting Block	機座	1
2	DUT1302	Screw (3/8-16x30)	螺絲	2
3	DUT2569	Cover	護蓋	1
4	DE0834	Screw (9/64-40x11)	螺絲	2
5	DUT2567	Motor Cover	馬達蓋	1
6	DE0836	Screw (M5-0.8x8)	螺絲	4
7	DUT0111	Screw (M4-0.7x10)	螺絲	3
8	DUT1308	Moter Support	馬達座	1
9	DUT1309	Handwheel	馬達手輪	1
10	DUT1310	Coupling (Middle)	聯軸器 ( 中 )	1
11	DUT1311	Coupling (Rear)	聯軸器 ( 後 )	1
12	DUT1312	Servo Moter	伺服馬達	1
13	DUT1313	Screw (M6-1x16)	螺絲	4
14	DUT1314	Sensor Plate, C. Set	感應板組	1
15	DJ0646	Screw (M5-0.8x14)	螺絲	3

1

2

3

4

5

**SIRUBA**

PARTS LIST

Series

**D007S**

Parts Group

**DUT**

Subclass / Remark

ET

Page

2/9

Date

2015/06/22

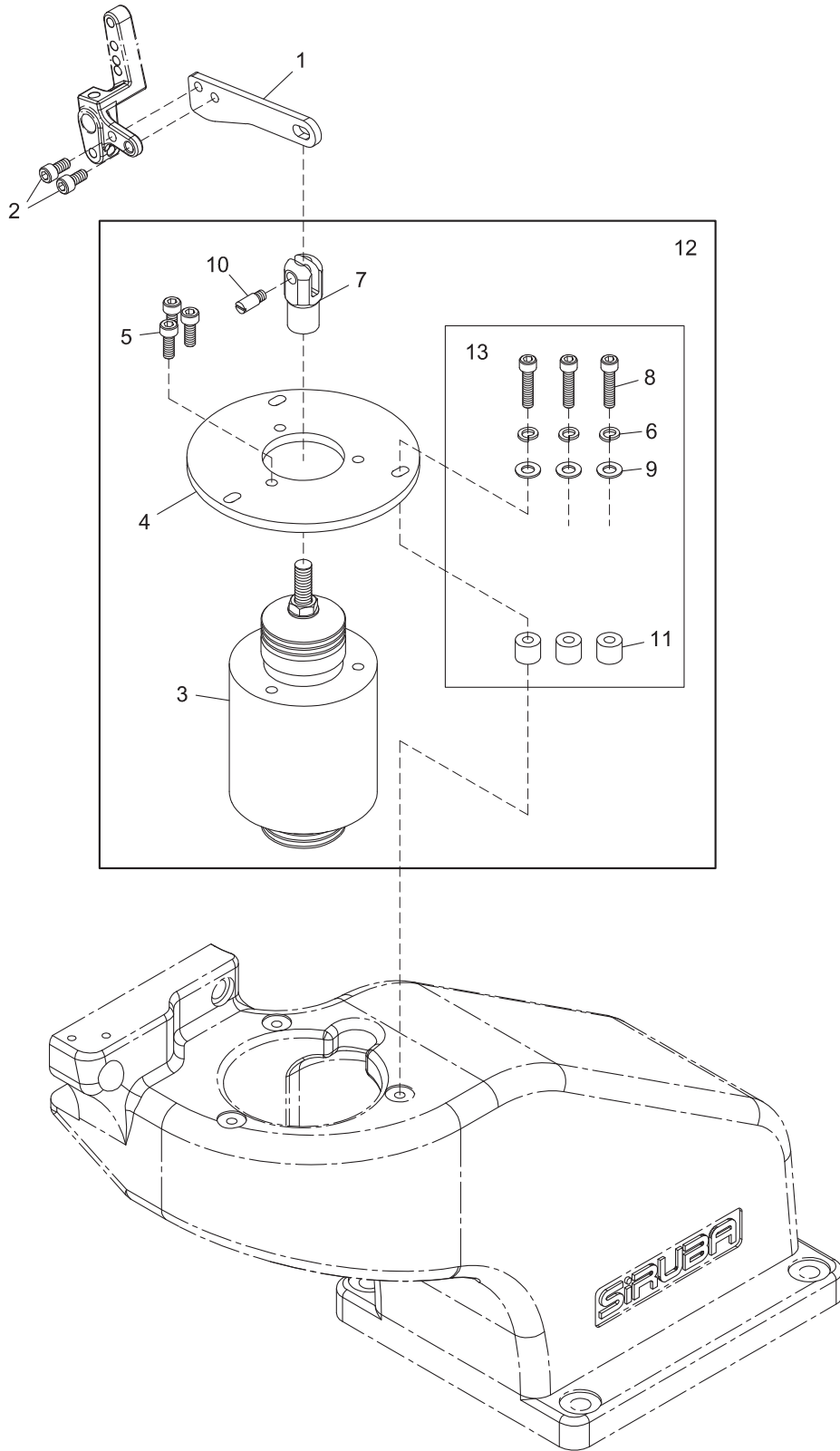
A

B

C

D

E



1

2

3

4

5

**SIRUBA**

PARTS LIST

Series

**D007S**

Parts Group

**DUT**

Subclass / Remark

ET

Page

2/9

Date

2015/06/22

A

B

C

D

E

Ref.N	Parts.No	Description	品名	Amt.Req
1	DUT1401	Presser Bar Lifter Lever	抬壓腳連桿	1
2	DUT1402	Screw (M5-0.8x10)	螺絲	2
3	DUT1403	Electromagnet	電磁鐵	1
4	DUT1404	Electromagnet Support Plate	電磁鐵固定板	1
5	DJ0646	Screw (M5-0.8x14)	螺絲	3
6	DUT1406	Spring Washer	彈簧墊片	3
7	DUT1420	"Y" Joint	Y接頭	1
8	DUT1408	Screw (M5-0.8x25)	螺絲	3
9	DUT2524	Washer	墊片	3
10	DUT1410	Screw (M5-0.8x5)	螺絲	1
11	DUT1411	Bushing	襯套	3
12	DUT1412	Electromagnet, C. Set	電磁鐵組	1
13	DUT1413	Screw, C. Set	螺絲組	1

1

2

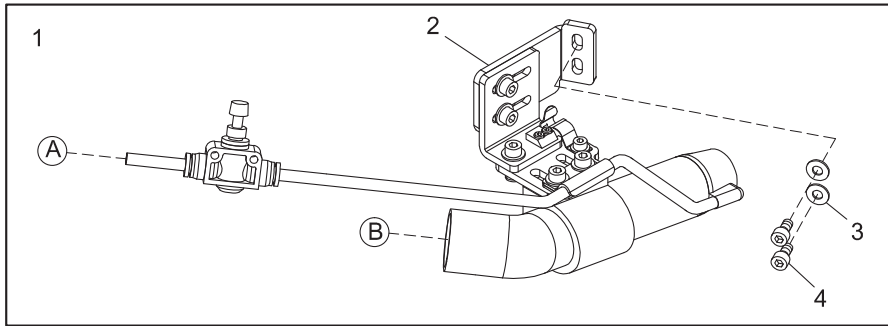
3

4

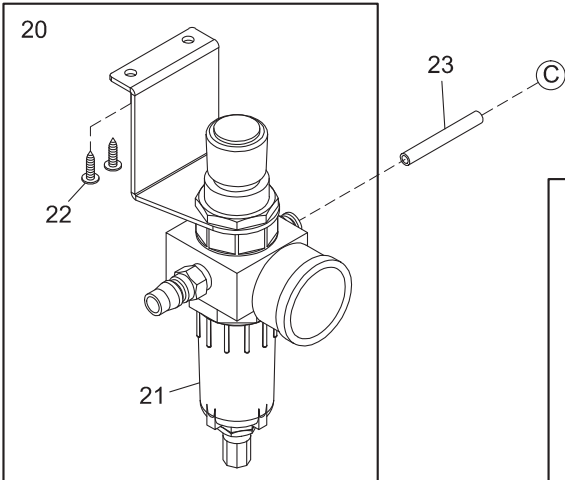
5



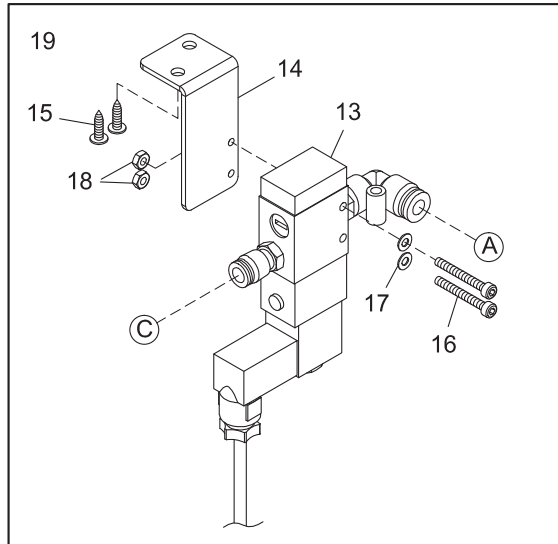
A



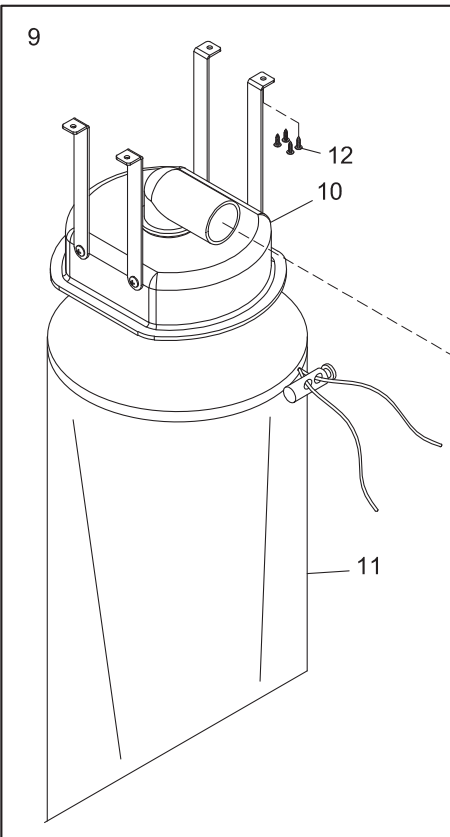
B



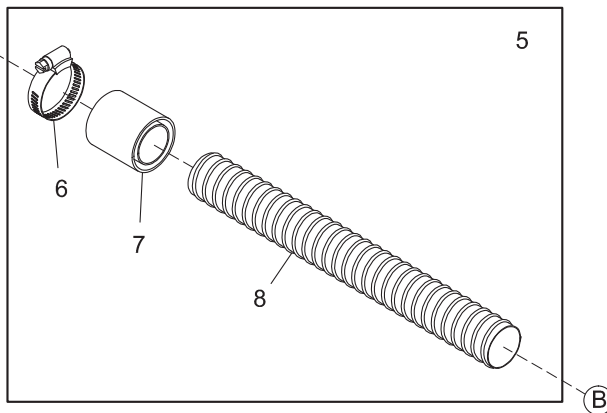
C



D



E



**SIRUBA**

PARTS LIST

Series

**D007S**

Parts Group

**DUT**

Subclass / Remark

ET/AW1

Page

3/9

Date

2015/06/22

A

B

C

D

E

Ref.N	Parts.No	Description	品 名	Amt.Req
1	DUT1701	Suction Pipe Unit, C. Set	吸布管組	1
2	DUT1702	Suction Pipe Unit	吸布管	1
3	DUT1703	Washer	墊片	2
4	DUT1704	Screw (M5-0.8x10)	螺絲	2
5	DUT1705	Take Over, C. Set	接管組	1
6	DUT1706	Hose Band	管束	1
7	DUT1707	Take Over	轉接頭	1
8	DUT1708	Spiral Pipe	螺旋管	1
9	DUT1709	Waste Gather System, C. Set	集布袋組	1
10	DUT1710	Waste Gather Cover	集布蓋	1
11	DUT1711	Waste Gather Bag	集布袋	1
12	DUT1712	Wood Screw	螺絲	4
13	DUT1713	Solenoid Valve	電磁閥	1
14	DUT0512	Solenoid Valve Support	電磁閥架	1
15	DUT1715	Wood Screw	螺絲	2
16	DUT0514	Screw (M3-0.5x25)	螺絲	2
17	DUT0452	Washer	墊片	2
18	DUT0506	Nut	螺帽	2
19	DUT1719	Solenoid Valve, C. Set	電磁閥組	1
20	DUT2213	Filter Regulator, C. Set	調壓過濾器組	1
21	DUT2214	Filter Regulator	調壓過濾器	1
22	DUT2226	Wood Screw	螺絲	2
23	DUT2225	Air Tube (4x6x250mm)	PU管	1

1

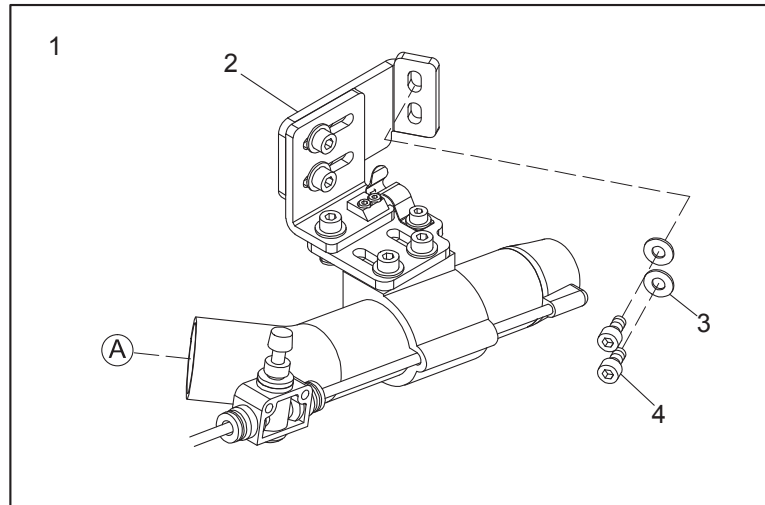
2

3

4

5

A

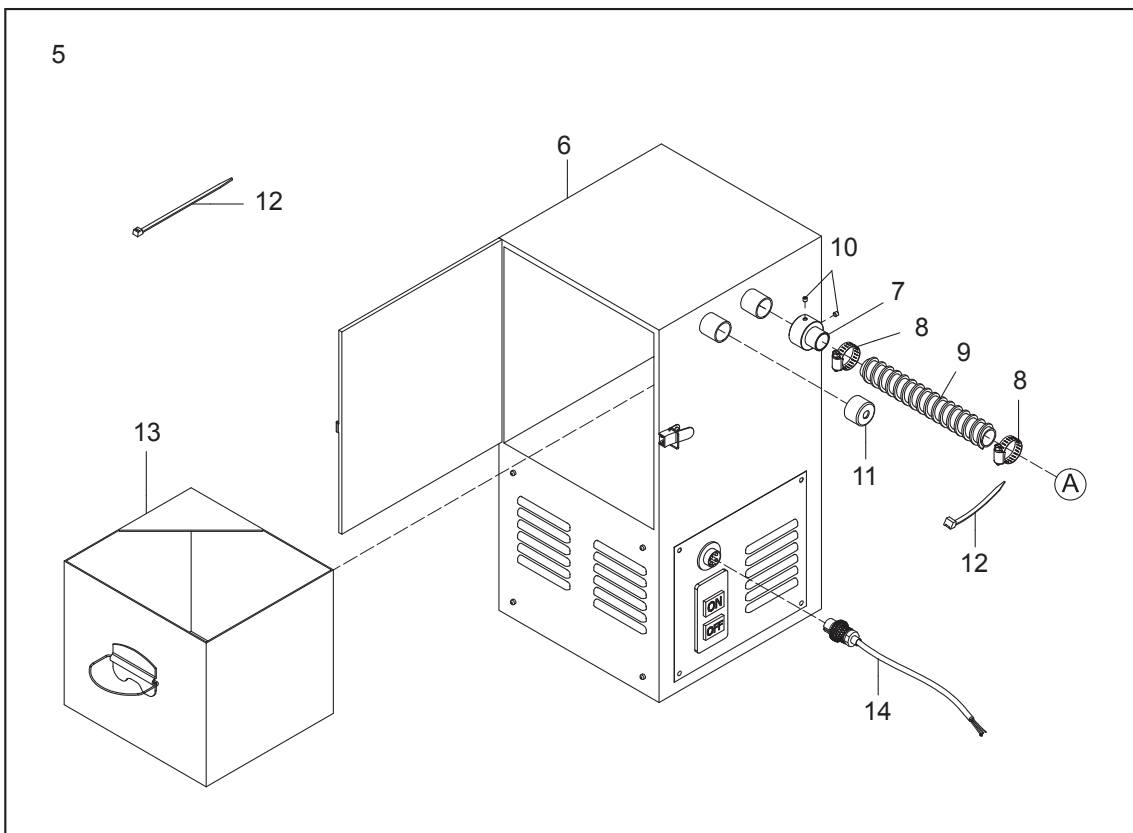


B

C

D

E



**SIRUBA**

PARTS LIST

Series

**D007S**

Parts Group

**DUT**

Subclass / Remark

AW2

Page

4/9

Date

2015/06/22

A

B

C

D

E

Ref.N	Parts.No	Description	品 名	Amt.Req
1	DUT1701	Suction Pipe Unit, C. Set	吸布管組	1
2	DUT1702	Suction Pipe Unit	吸布管	1
3	DUT1703	Washer	墊片	2
4	DUT1704	Screw (M5-0.8x10)	螺絲	2
5	DUT0405	AW Case Set	吸風箱組	1
6	DUT0406	Air Case	吸風箱	1
7	DUT0407	Connect Tube	接管	1
8	DUT0408	Fixed Ring	套環	2
9	DUT0409	Clear Tube	吸屑管	1
10	DUT0410	Screw (M6-1x5)	螺絲	1
11	DUT0411	Plug	塞子	1
12	DUT0412	Stable Strap	束帶	4
13	DUT0413	Case	布屑集中盒	1
14	DUT0414	Electric Wire	電源線	1

1

2

3

4

5

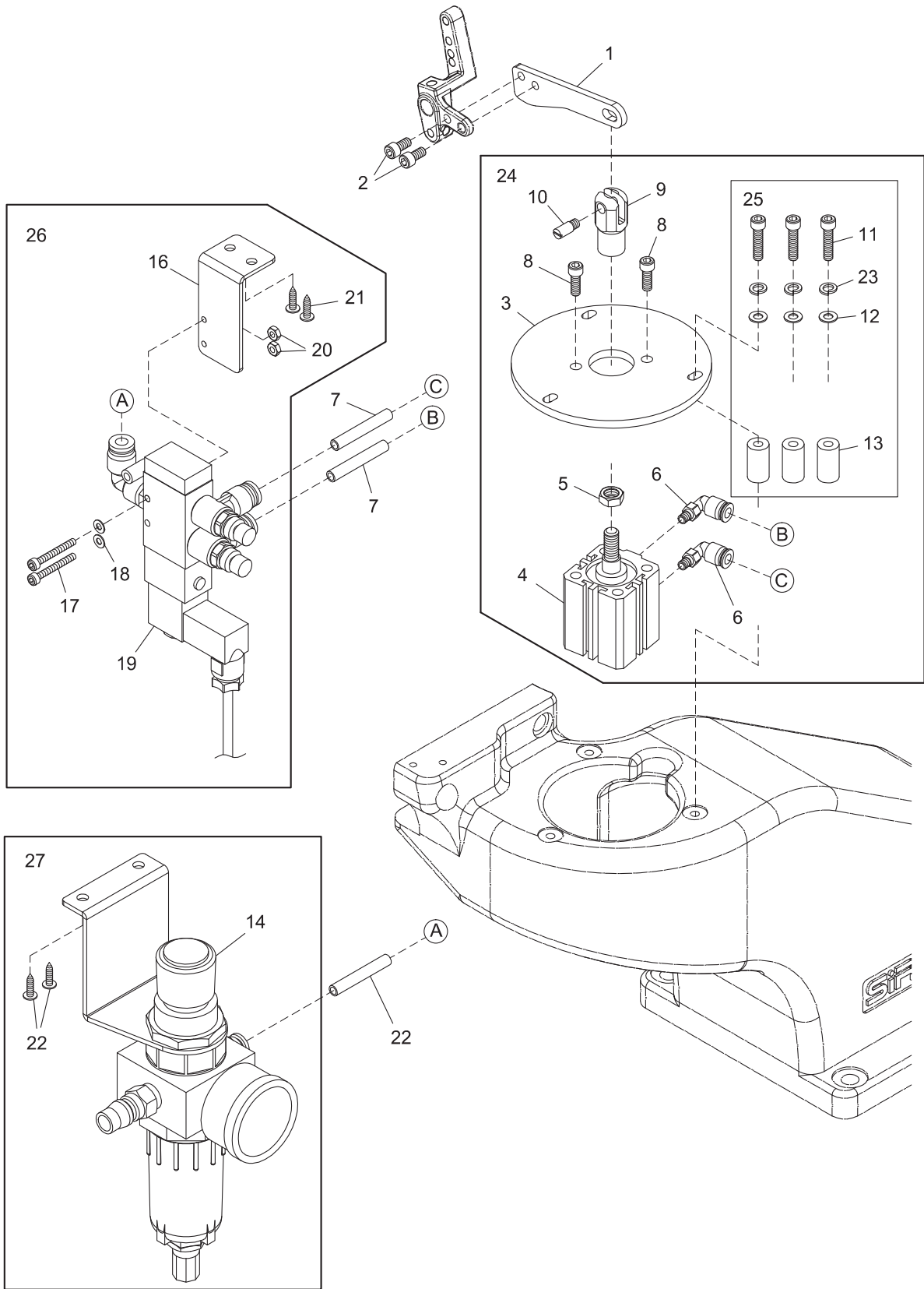
A

B

C

D

E



**SIRUBA**

PARTS LIST

Series

**D007S**

Parts Group

**DUT**

Subclass / Remark

AT

Page

5/9

Date

2015/06/22

A

B

C

D

E

Ref.N	Parts.No	Description	品名	Amt.Req
1	DUT1401	Presser Bar Lifter Lever	抬壓腳連桿	1
2	DUT1402	Screw (M5-0.8x10)	螺絲	2
3	DUT2303	Cylinder Support Plate	氣缸支架	1
4	DUT2304	Cylinder	氣缸	1
5	DUT2305	Nut	螺帽	1
6	DUT2306	Air Tube Joint	快速接頭	2
7	DUT2224	Air Tube (2.5x4x700mm)	PU管	2
8	DUT2566	Screw (M6-1x20)	螺絲	2
9	DUT1420	"Y" Joint	Y接頭	1
10	DUT1410	Screw (M5-0.8x5)	螺絲	1
11	DUT2311	Screw (M5-0.8x35)	螺絲	3
12	DUT2524	Washer	墊片	3
13	DUT2313	Bushing	套管	3
14	DUT2214	Filter Regulator	調壓過濾器	1
15	DUT1715	Wood Screw	螺絲	4
16	DUT0512	Solenoid Valve Support	電磁閥架	1
17	DUT0514	Screw (M3-0.5x25)	螺絲	2
18	DUT0452	Washer	墊片	2
19	DUT2219	Solenoid Valve	電磁閥	1
20	DUT0506	Nut	螺帽	2
21	DUT2226	Wood Screw	螺絲	1
22	DUT2225	Air Tube (4x6x250mm)	PU管	1
23	DUT1406	Spring Washer	彈簧墊片	3
24	DUT2324	Cylinder, C. Set	氣缸組	1
25	DUT2325	Screw, C. Set	螺絲組	1
26	DUT2326	Solenoid Valve, C. Set	電磁閥組	1
27	DUT2213	Filter Regulator, C. Set	調壓過濾器組	1

1

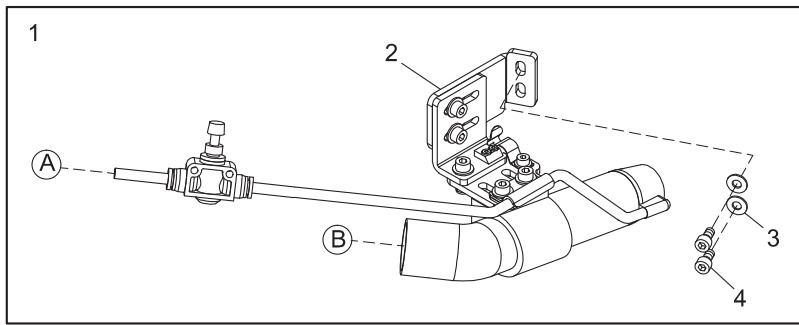
2

3

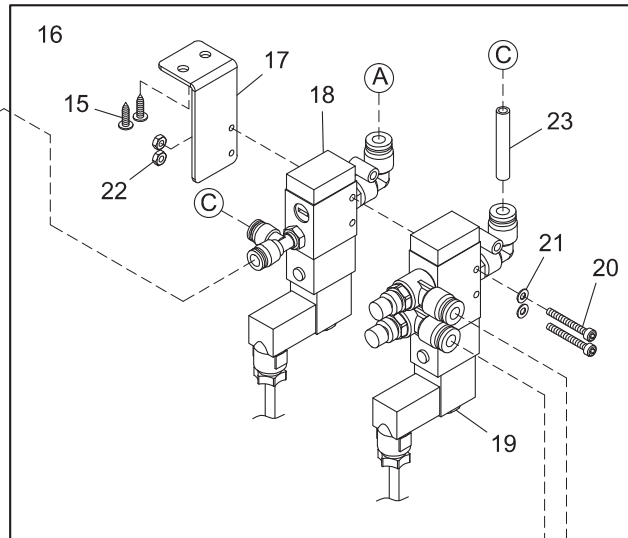
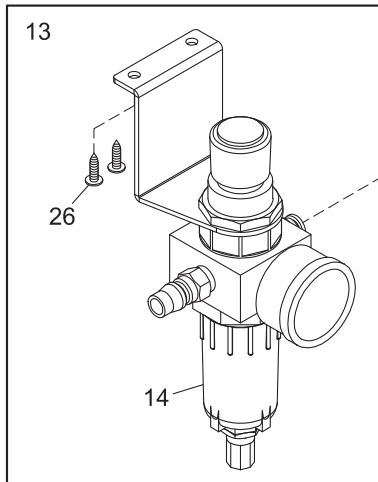
4

5

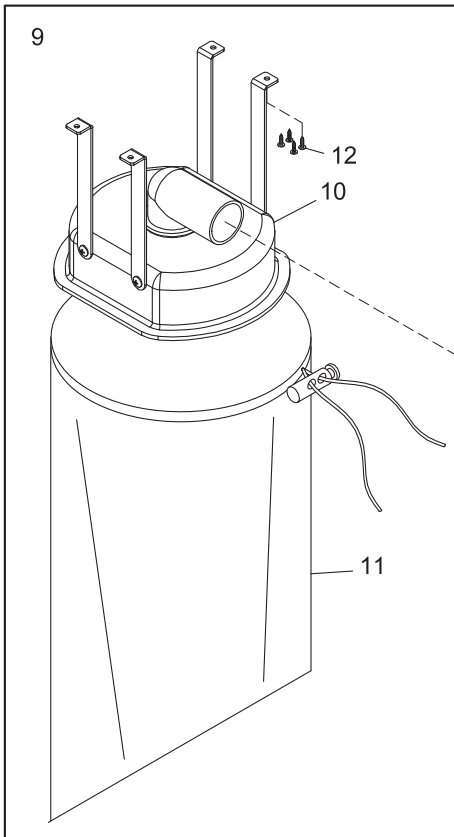
A



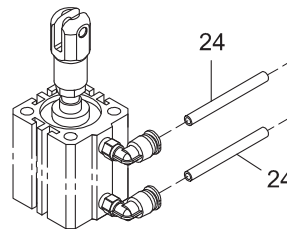
B



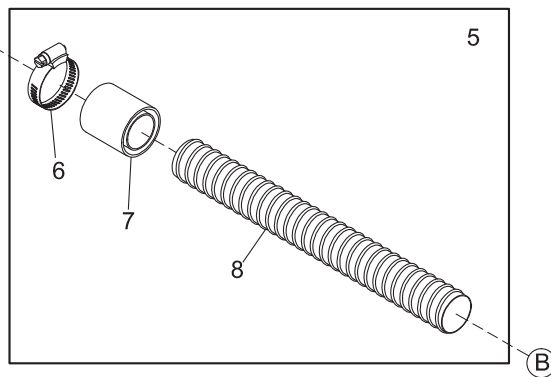
C



D



E



**SIRUBA**

PARTS LIST

Series

**D007S**

Parts Group

**DUT**

Subclass / Remark

AT/AW1

Page

6/9

Date

2015/06/22

A

B

C

D

E

Ref.N	Parts.No	Description	品名	Amt.Req
1	DUT1701	Suction Pipe Unit, C. Set	吸布管組	1
2	DUT1702	Suction Pipe Unit	吸布管	1
3	DUT1703	Washer	墊片	2
4	DUT1704	Screw (M5-0.8x10)	螺絲	2
5	DUT1705	Take Over, C. Set	接管組	1
6	DUT1706	Hose Band	管束	1
7	DUT1707	Take Over	轉接頭	1
8	DUT1708	Spiral Pipe	螺旋管	1
9	DUT1709	Waste Gather System, C. Set	集布袋組	1
10	DUT1710	Waste Gather Cover	集布蓋	1
11	DUT1711	Waste Gather Bag	集布袋	1
12	DUT1712	Wood Screw	螺絲	4
13	DUT2213	Filter Regulator, C. Set	調壓過濾器組	1
14	DUT2214	Filter Regulator	調壓過濾器	1
15	DUT1715	Wood Screw	螺絲	2
16	DUT2216	Solenoid Valve, C. Set	電磁閥組	1
17	DUT0512	Solenoid Valve Support	電磁閥架	1
18	DUT2218	Solenoid Valve	電磁閥	1
19	DUT2219	Solenoid Valve	電磁閥	1
20	DUT0504	Screw (M3-0.5x45)	螺絲	2
21	DUT0452	Washer	墊片	2
22	DUT0506	Nut	螺帽	2
23	DUT2223	Air Tube (4x6x300mm)	PU管	1
24	DUT2224	Air Tube (2.5x4x700mm)	PU管	2
25	DUT2225	Air Tube (4x6x250mm)	PU管	1
26	DUT2226	Wood Screw	螺絲	2

1

2

3

4

5



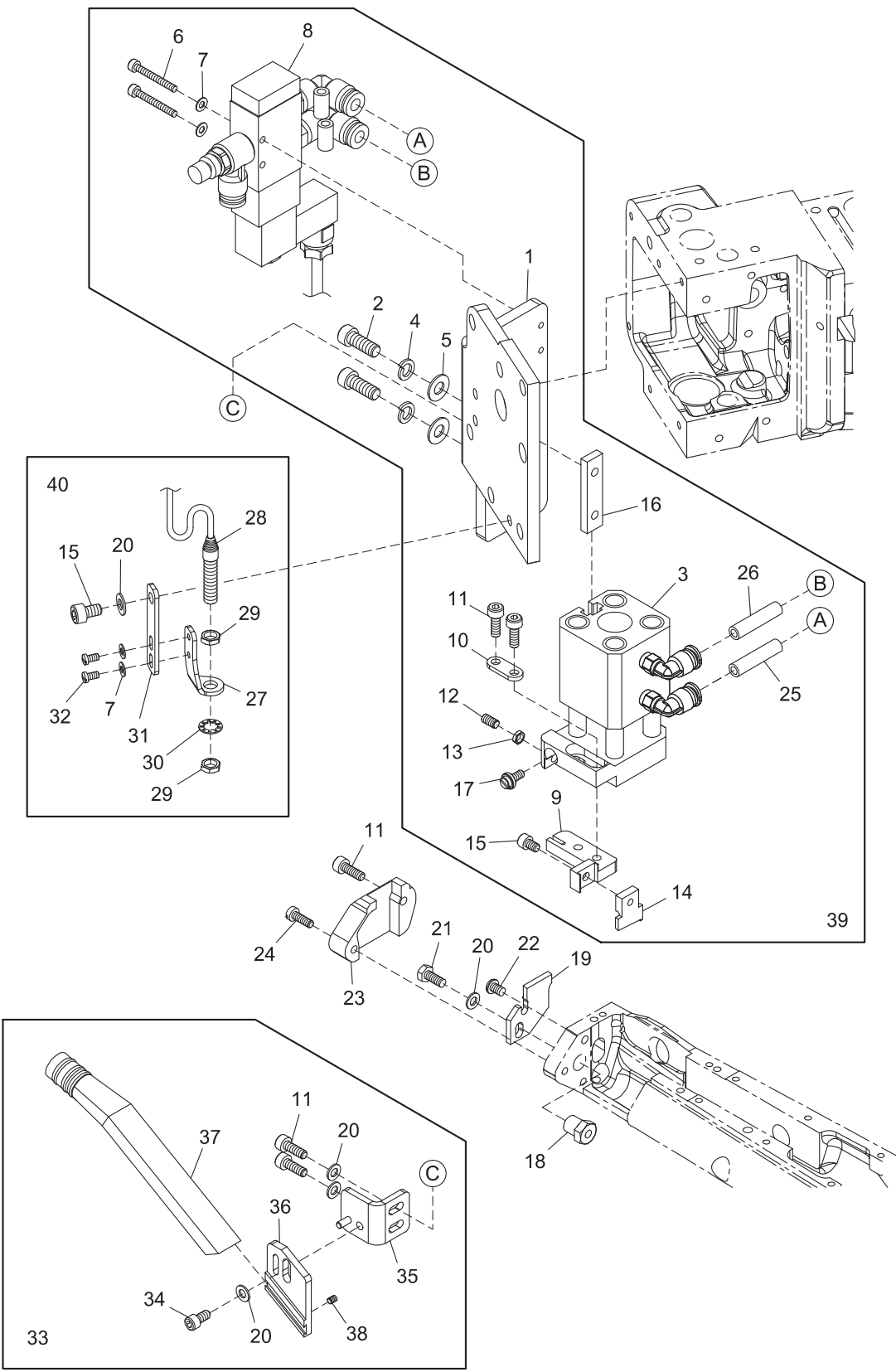
A

B

C

D

E



**SIRUBA**

PARTS LIST

Series

**D007S**

Parts Group

**DUT**

Subclass / Remark

AK /AW7

Page

7/9

Date

2015/06/22

A

B

C

D

E

Ref.N	Parts.No	Description	品名	Amt.Req
1	DUT2901	Sewing Head Cover	車頭蓋	1
2	DUT2902	Screw (M5-0.8x16)	螺絲	2
3	DUT2903	Cylinder	氣缸	1
4	DUT1406	Spring Washer	彈簧墊片	2
5	DUT2524	Washer	墊片	2
6	DUT0514	Screw (M3-0.5x25)	螺絲	2
7	DUT0452	Washer	墊片	4
8	DUT2908	Solenoid Valve	電磁閥	1
9	DUT2909	Upper Knife Holder	上切刀固定座	1
10	DUT2910	Washer	墊片	1
11	DJ1427	Screw (M4-0.7x12)	螺絲	5
12	DUT2912	Screw (M4-0.7x12)	螺絲	1
13	DUT0229	Nut	螺帽	1
14	DUT2914	Upper Knife	上切刀	1
15	DUT0341	Screw (M4-0.7x6)	螺絲	2
16	DUT2916	Guide Plate	導板	1
17	DE0842	Adjusting Screw (9/64-40x8.2)	調節螺絲	1
18	DUT2918	Nut	螺帽	1
19	DUT2919	Lower Knife	下切刀	1
20	DUT0330	Washer	墊片	5
21	DUT2921	Screw (M4-0.7x10)	螺絲	1
22	DUT0111	Screw (M4-0.7x10)	螺絲	1
23	DUT2923	Cover	外蓋	1
24	DA0107	Screw (9/64-40x11)	螺絲	1
25	DUT2925	Air Tube (2.5x4mm)	PU管	1
26	DUT2926	Air Tube (2.5x4mm)	PU管	1
27	DUT2927	Switches Holder	感應器支架	1
28	DUT2928	Photoelectriv Switches	光電感應器	1
29	DUT2929	Nut	螺帽	2
30	DUT2930	Slip Washer	止滑墊片	1
31	DUT2931	Switches Holder	感應器支架	1
32	DUT1318	Screw (M3-0.5x5)	螺絲	2
33	DUT2933	Clear Pipe, C. Set	吸屑管組	1
34	DUT2527	Screw(M4-0.7x8)	螺絲	1
35	DUT2935	Clear Pipe Holder	吸屑管固定座	1
36	DUT2936	Clear Pipe Support	吸屑管支架	1
37	DUT2937	Clear Pipe	吸屑管	1
38	DUT0114	Screw (M3-0.5x3)	螺絲	2
39	DUT2939	Upper Knife, C. Set	上切刀組	1
40	DUT2940	Photoelectriv Switches, C. Set	光電感應器組	1

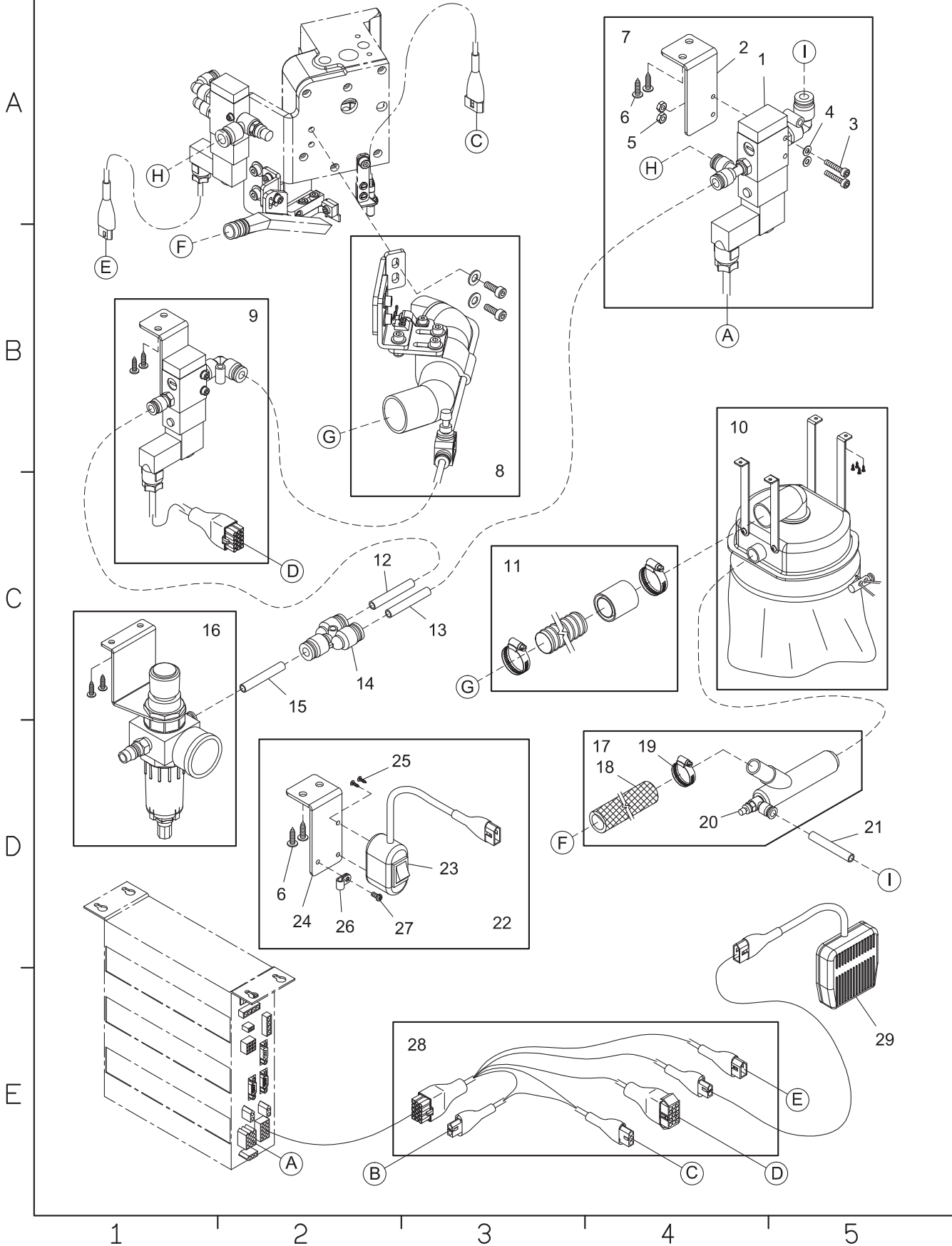
1

2

3

4

5



**SIRUBA**

PARTS LIST

Series

**D007S**

Parts Group

**DUT**

Subclass / Remark

AK /AW7

Page

8/9

Date

2015/06/22

A

B

C

D

E

Ref.N	Parts.No	Description	品名	Amt.Req
1	DUT3001	Solenoid Valve	電磁閥	1
2	DUT0512	Solenoid Valve Support	電磁閥架	1
3	DUT0514	Screw (M3-0.5x25)	螺絲	2
4	DUT0452	Washer	墊片	2
5	DUT0506	Nut	螺帽	2
6	DUT1715	Wood Screw	螺絲	4
7	DUT3007	Solenoid Valve, C. Set	電磁閥組	1
8	DUT3008	Suction Pipe Unit, C. Set	吸布管組	1
9	DUT1719	Solenoid Valve, C. Set	電磁閥組	1
10	DUT1709	Waste Gather System, C. Set	集布袋組	1
11	DUT1705	Take Over, C. Set	接管組	1
12	DUT3012	Air Tube (4x6mm)	PU管	1
13	DUT3013	Air Tube (4x6mm)	PU管	1
14	DUT0510	Fitting	三通接頭	1
15	DUT2225	Air Tube (4x6x250mm)	PU管	1
16	DUT2213	Filter Regulator, C. Set	調壓過濾器組	1
17	DUT3017	Vacuum Feed Pipe, C. Set	真空送氣管組	1
18	DUT3018	PVC Tube	PVC管	1
19	DUT3019	Hose Band	管束	1
20	DUT3020	Vacuum Feed Pipe	真空送氣管	1
21	DUT3021	Air Tube (4x6mm)	PU管	1
22	DUT3022	Switch, C. Set	切換開關組	1
23	DUT3023	Switch	切換開關	1
24	DUT3024	Switch Support	切換開關支架	1
25	DUT3025	Screw	螺絲	2
26	DUT1319	Cord Clamp	配線固定鈕	1
27	DA0233	Screw (M4-0.7x5.8)	螺絲	1
28	DUT3028	Relay Line	中繼線	1
29	DUT3029	Kness Switch	膝動開關	1

1

2

3

4

5

<b>SIRUBA</b> PARTS LIST	Series	Parts Group	Subclass / Remark	Page
	<b>D007S</b>	<b>DUT</b>	<b>H</b>	9/9
				Date
				2015/06/22

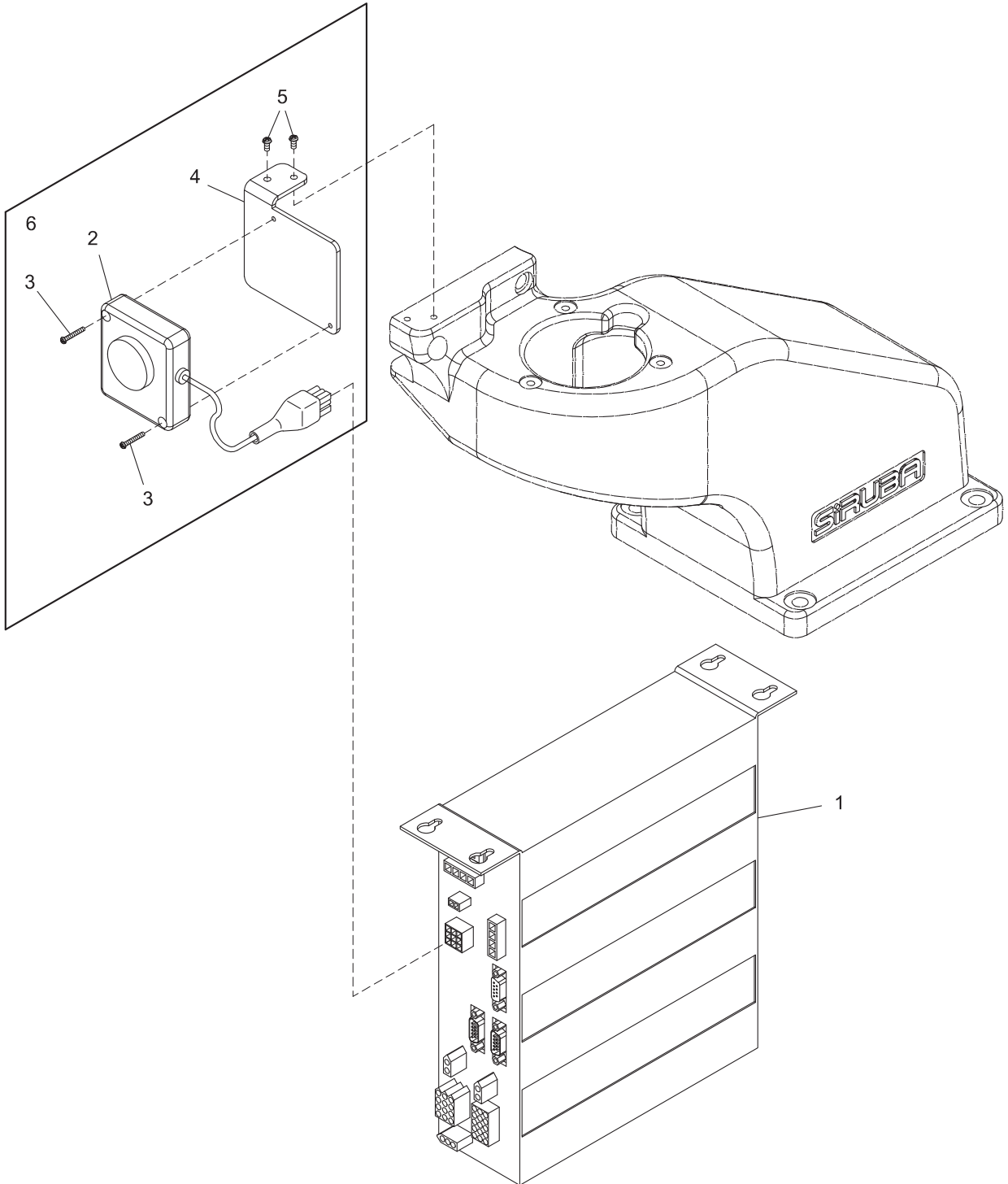
A

B

C

D

E



1

2

3

4

5

<b>SIRUBA</b> PARTS LIST	Series	Parts Group	Subclass / Remark	Page
	<b>D007S</b>	<b>DUT</b>	<b>H</b>	9/9
				Date
				2015/06/22

A

Ref.N	Parts.No	Description	品 名	Amt.Req
1	DUT2801	Control Box	控制箱	1
2	DUT1324	Electron Handwheel	電子手輪	1
3	DUT1325	Screw (M3-0.5x15)	螺絲	2
4	DUT1323	Handwheel Support	手輪支架	1
5	DUT2530	Screw (M4-0.7x8)	螺絲	2
6	DUT2806	Electron Handwheel, C. Set	電子手輪組	1

B

C

D

E

1                      2                      3                      4                      5

**SIRUBA**  
TABLE  
CUT-OUT

Series  
**D007S**

Parts Group  
**D007S-T1**

Subclass / Remark

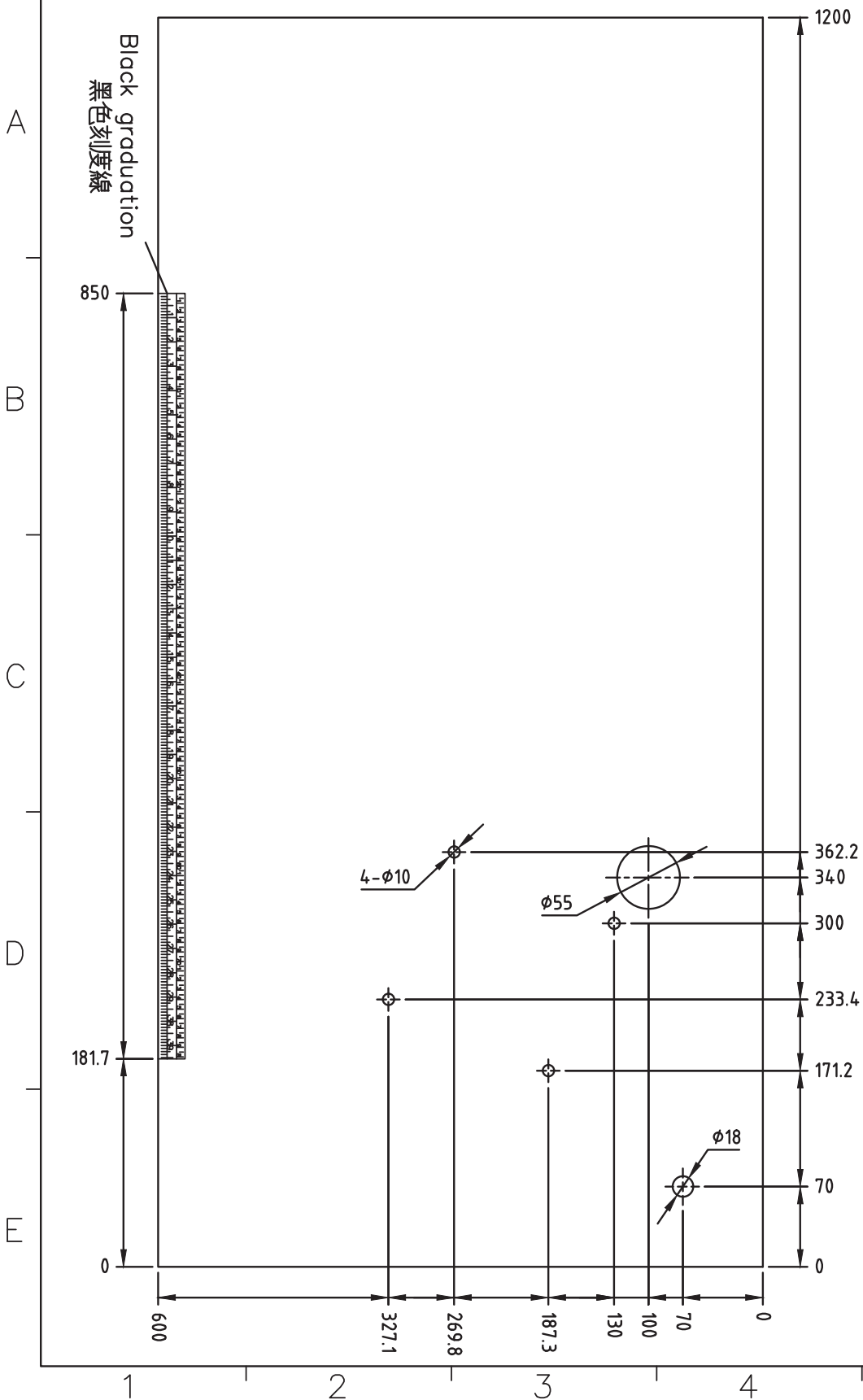
Page

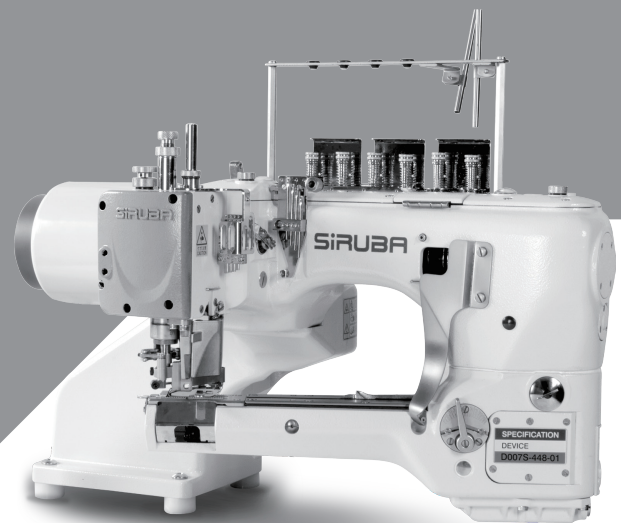
1/1

Date

2015/02/11

單位/UNIT:MM  
所有尺寸公差/TOLERANCE:±2  
D007S-T1-1070長度(L):1070/重量  
D007S-T1長度(L):1200/重量  
全封邊灰格紋光塑面枱板





 高林股份有限公司  
KAULIN MFG. CO., LTD.

由於對產品的改良及更新，本產品零件圖及外觀的修改恕不事先通知！  
The specification and/or appearances of the equipment described in this parts list are  
subject to change because of modification which will without previous notice.  
D007S.JUN.2015